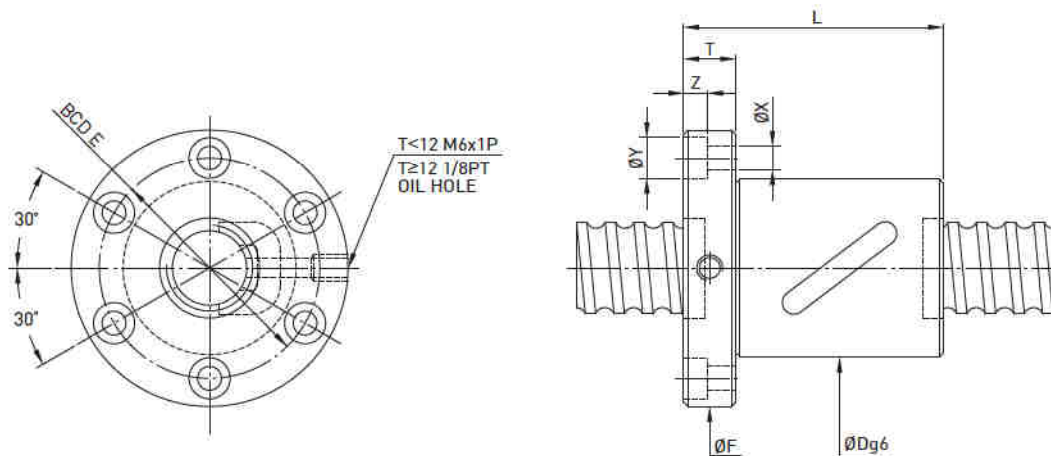


FSB Type ◀ Standard Product



| Model | Size | | Ball Dia. | Circuits | Dynamic Load C [kgf] | Static Load Co [kgf] | Nut | | Flange | | | | | |
|----------|--------------|------|-----------|----------|------------------------|------------------------|-----|-----|--------|-------|----|------|------|-----|
| | Nominal Dia. | Lead | | | | | L | D | F | BCD-E | T | Bolt | | |
| | | | | | | | | | | | | X | Y | Z |
| 8-2.5B1 | 8 | 2.5 | 2.000 | 2.5x1 | 218 | 317 | 34 | 22 | 43 | 31 | 8 | 5.5 | 9.5 | 5.5 |
| 10-2.5B1 | 10 | 2.5 | 2.000 | 2.5x1 | 252 | 405 | 34 | 24 | 46 | 34 | 8 | 5.5 | 9.5 | 5.5 |
| 10-4B1 | 10 | 4 | 2.381 | 2.5x1 | 304 | 466 | 41 | 26 | 49 | 37 | 10 | 5.5 | 9.5 | 5.5 |
| 12-4B1 | 12 | 4 | 2.381 | 2.5x1 | 344 | 574 | 41 | 28 | 51 | 39 | 10 | 5.5 | 9.5 | 5.5 |
| 12-4C1 | 12 | 4 | 2.381 | 3.5x1 | 459 | 803 | 44 | 30 | 50 | 40 | 10 | 4.5 | 8 | 4.5 |
| 14-4C1 | 14 | 4 | 2.381 | 3.5x1 | 498 | 943 | 40 | 31 | 50 | 40 | 10 | 4.5 | 8 | 4.5 |
| 14-5B1 | 14 | 5 | 3.175 | 2.5x1 | 636 | 1095 | 40 | 32 | 50 | 40 | 10 | 4.5 | 8 | 4.5 |
| 16-4B1 | 16 | 4 | 2.381 | 2.5x1 | 390 | 744 | 41 | 35 | 56 | 43 | 10 | 5.5 | 9.5 | 5.5 |
| 16-5B1 | 16 | 5 | 3.175 | 2.5x1 | 679 | 1226 | 43 | 36 | 60 | 47 | 10 | 5.5 | 9.5 | 5.5 |
| 16-10B1 | 16 | 10 | 3.175 | 2.5x1 | 667 | 1194 | 52 | 36 | 60 | 47 | 12 | 6.6 | 11 | 6.5 |
| 20-4C1 | 20 | 4 | 2.381 | 3.5x1 | 582 | 1329 | 40 | 40 | 60 | 50 | 10 | 4.5 | 8 | 4.5 |
| 20-5B1 | 20 | 5 | 3.175 | 2.5x1 | 745 | 1526 | 40 | 40 | 60 | 50 | 10 | 4.5 | 8 | 4.5 |
| 20-5C1 | 20 | 5 | 3.175 | 3.5x1 | 1001 | 2149 | 50 | 40 | 64 | 51 | 12 | 5.5 | 9.5 | 5.5 |
| 20-10B1 | 20 | 10 | 4.763 | 2.5x1 | 1280 | 2314 | 61 | 52 | 82 | 67 | 12 | 6.6 | 11 | 6.5 |
| 25-5B1 | 25 | 5 | 3.175 | 2.5x1 | 845 | 1987 | 40 | 43 | 67 | 55 | 10 | 5.5 | 9.5 | 5.5 |
| 25-5B2 | 25 | 5 | 3.175 | 2.5x2 | 1534 | 3975 | 60 | 46 | 70 | 58 | 12 | 5.5 | 9.5 | 5.5 |
| 25-10B2 | 25 | 10 | 4.763 | 2.5x2 | 2652 | 5966 | 98 | 60 | 96 | 78 | 15 | 5.5 | 9.5 | 5.5 |
| 32-5B2 | 32 | 5 | 3.175 | 2.5x2 | 1702 | 5098 | 60 | 54 | 80 | 67 | 12 | 6.6 | 11 | 6.5 |
| 32-10B1 | 32 | 10 | 6.350 | 2.5x1 | 2416 | 5172 | 68 | 68 | 102 | 84 | 16 | 9 | 14 | 8.5 |
| 32-10B2 | 32 | 10 | 6.350 | 2.5x2 | 4379 | 10345 | 98 | 68 | 102 | 84 | 16 | 9 | 14 | 8.5 |
| 40-10B2 | 40 | 10 | 6.350 | 2.5x2 | 4812 | 12732 | 102 | 76 | 117 | 96 | 18 | 11 | 17.5 | 11 |
| 50-10C2 | 50 | 10 | 6.350 | 3.5x2 | 7146 | 22477 | 126 | 88 | 129 | 108 | 18 | 11 | 17.5 | 11 |
| 63-10C2 | 63 | 10 | 6.350 | 3.5x2 | 7869 | 28290 | 128 | 104 | 146 | 124 | 20 | 11 | 17.5 | 11 |