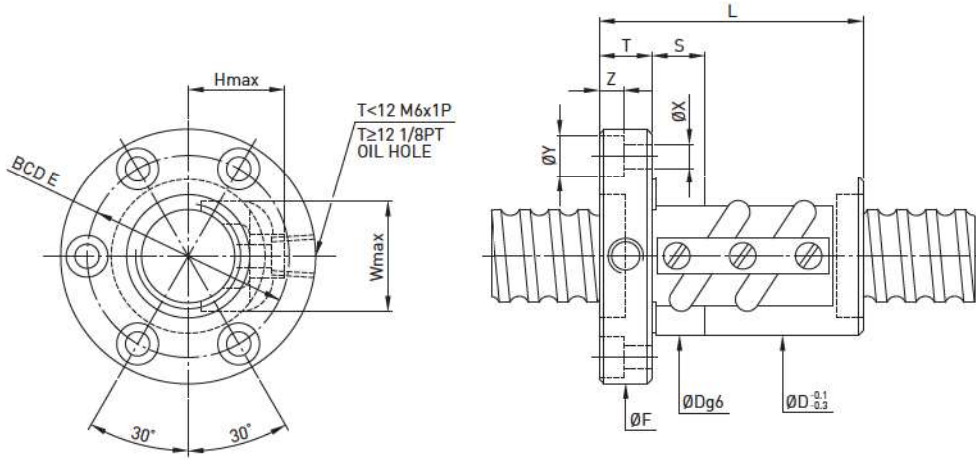


FSV Type ◀ Standard Product



Model	Size		Ball Dia.	Circuits	Dynamic Load C (kgf)	Static Load Co (kgf)	Nut		Flange			Return Tube			Bolt		Fit
	Nominal Dia.	Lead					L	D	F	BCD-E	T	X	Y	Z	W	H	
8-2.5B1	8	2.5	2.000	2.5x1	218	317	34	18	41	29	8	5.5	9.5	5.5	15	15	8
10-2.5B1	10	2.5	2.000	2.5x1	252	405	34	20	43	31	8	5.5	9.5	5.5	17	17	8
10-4B1	10	4	2.381	2.5x1	304	466	41	23	46	34	10	5.5	9.5	5.5	20	20	10
12-4B1	12	4	2.381	2.5x1	344	574	41	25	48	36	10	5.5	9.5	5.5	22	21	12
16-5B1	16	5	3.175	2.5x1	679	1226	43	31	55	42	10	5.5	9.5	5.5	23	25	12
16-10B1	16	10	3.175	2.5x1	667	1194	54	30	53	41	10	5.5	9.5	5.5	23	22	12
20-5B1	20	5	3.175	1.5x1	746	1526	46	34	58	46	12	5.5	9.5	5.5	28	25	12
20-5B2	20	5	3.175	2.5x2	1353	3052	60	34	58	46	12	5.5	9.5	5.5	28	25	12
20-5C1	20	5	3.175	3.5x1	1001	2149	50	35	59	46	12	5.5	9.5	5.5	27	22	12
25-5B2	25	5	3.175	2.5x2	1534	3975	60	40	64	52	12	5.5	9.5	5.5	31	25	12
32-5B2	32	5	6.350	2.5x2	1702	5098	60	54	80	67	12	6.6	11	6.5	38	29	12
32-10B2	32	10	6.350	2.5x2	4379	10345	98	58	92	74	16	9	14	8.5	44	36	15
32-20B1	32	20	6.350	2.5x1	2415	5173	100	54	88	70	15	9	14	8.5	43	35	15
40-5B2	40	5	3.175	2.5x2	1859	6354	65	58	92	72	16	9	14	8.5	46	34	15
40-10B2	40	10	6.350	2.5x2	4812	12732	102	65	106	85	18	11	17.5	11	52	41	15
40-10C2	40	10	6.350	3.5x2	6473	17975	120	65	114	90	20	11	17.5	11	53	42	15
50-10C2	50	10	6.350	3.5x2	7146	22477	126	80	121	100	18	11	17.5	11	62	46	20
63-10C2	63	10	6.350	3.5x2	7869	28290	128	95	137	115	20	11	17.5	11	74	52	20
63-16B2	63	16	9.525	2.5x2	13676	43030	153	100	150	123	22	13	20	13	78	62	20
80-10B3	80	10	6.350	2.5x3	9189	38525	139	115	163	137	22	14	20	13	90	64	20
80-20B2	80	20	9.525	2.5x2	14976	53774	225	125	190	152	28	18	26	17.5	95	75	20
80-20B3	80	20	9.525	2.5x3	21224	80661	245	125	190	152	28	18	26	17.5	95	72	20