

8.2 Rotating Nut

8.2.1 R1 Rotating Nut



• **Application:**

Semi-conductor industries, Robots, Wood Processing machines, Laser cutting machines, Transporting equipment.

• **Features:**

R1 series ball screw integrates the ball nut with a bearing.

1. Compact and high positioning:

A compact design using nut and support bearing as an integrated unit. A 45-degree steel ball contact angle provides a better axial load. Zero backlash and high stiffness construction for highly accurate positioning.

2. Simple installation:

Nut easily bolts directly to housing.

3. Rapid feed:

The integrated unit rotating on a fixed shaft produces no inertial resistance allowing rapid feed with lower power requirements.

4. Stiffness:

The integrated unit has an angular contact construction and zero backlash when rotating for increased load and moment stiffness.

5. Quiet:

A special end cap design allows steel balls to circulate inside the nut. Noise generated by high speed operation is lower than in an ordinary ballscrew.

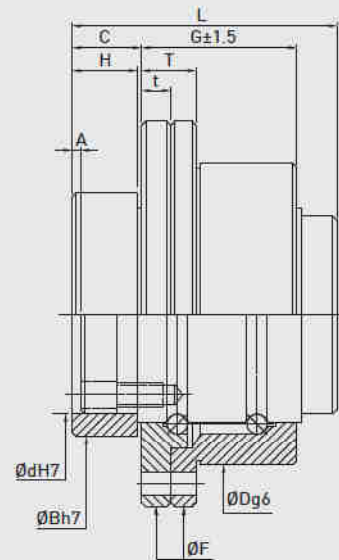
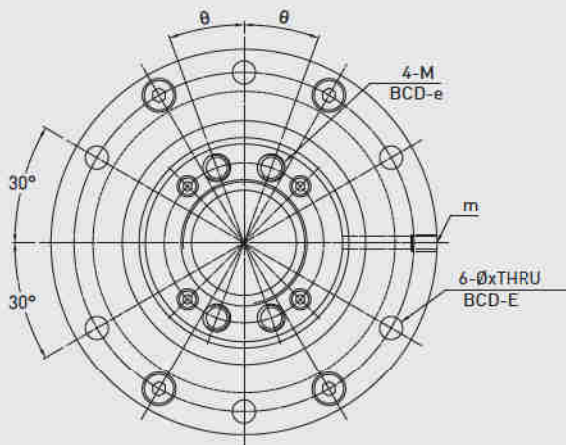
• **Specification:**

Example: 2R40-40S2-DFSHR1-800-1000-0.018



HIWIN R1 code

R1 ROTATING NUT



Model	Bearing		Nut				Flange				Bolt				Bush				Oil hole
	Dynamic Load(kgf)	Static Load(kgf)	D	G	L	C	F	T	t	BCD-E	BCD-e	Ø	M	X	d	B	H	A	
16-16S2	798	1392	52	25	44	11.4	68	13	6	60	26	20	M4x0.7P	4.5	33	40	11	2	M4x0.7P
20-20S2	1115	2005	62	30	50	12	78	13	6	70	31	20	M5x0.8P	4.5	39	50	11	2	M4x0.7P
25-25S2	1228	2486	72	37	63	16.5	92	13	7	81	38	20	M6x1P	5.5	47	58	15.5	2	M4x0.7P
32-32S2	2010	4134	80	47	80	21	105	20	10	91	48	25	M6x1P	6.6	58	66	20	3	M6x0.75P
40-40S2	3127	6906	110	62	98	22.5	140	20	10	123	61	25	M8x1.25P	9	73	90	21.5	3	M6x0.75P
50-50S2	4280	9623	120	77	126	29	156	20	10	136	75	25	M10x1.5P	11	90	100	28	4	M6x0.75P