

8.2.1 R2 Rotating Nut



• **Application:**

Semi-conductor industries, Robots, Wood Processing machines, Laser cutting machines, Transporting equipment.

• **Features:**

1. **Compact:**

The integrated nut/ bearing and reduced flange thickness design offers a compact assembly much smaller than conventional designs.

2. **Simple installation:**

Nut easily bolts directly to housing.

3. **Energy saving:**

The fixed screw creates no inertial force

reducing the need for additional motor drive force on long strokes.

4. **Increased outer ring rigidity:**

The outer ring bearing has a back-to back-design. The longer support distance resists bending moments and increases rigidity 20-30% above traditional face-to-face bearings.

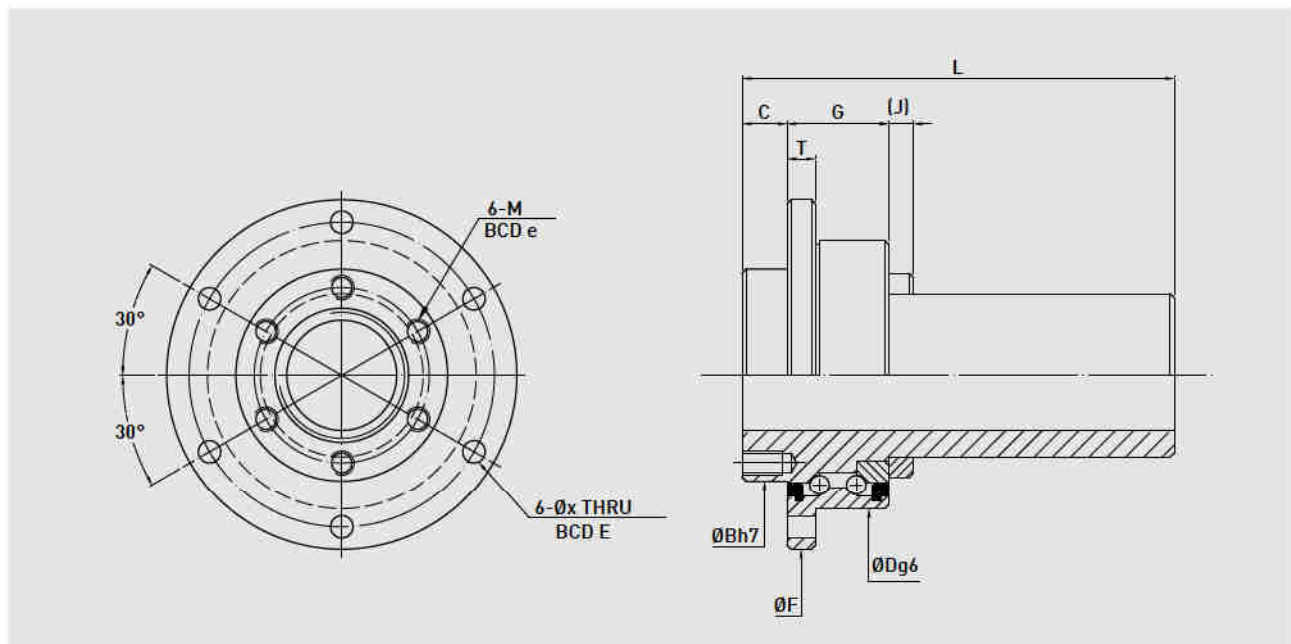
5. **Improved dust resistance**

A dustproof component has been added between the bearing and the nut body to reduce the gap present in traditional designs and improve contamination resistance.

• **Specification:**

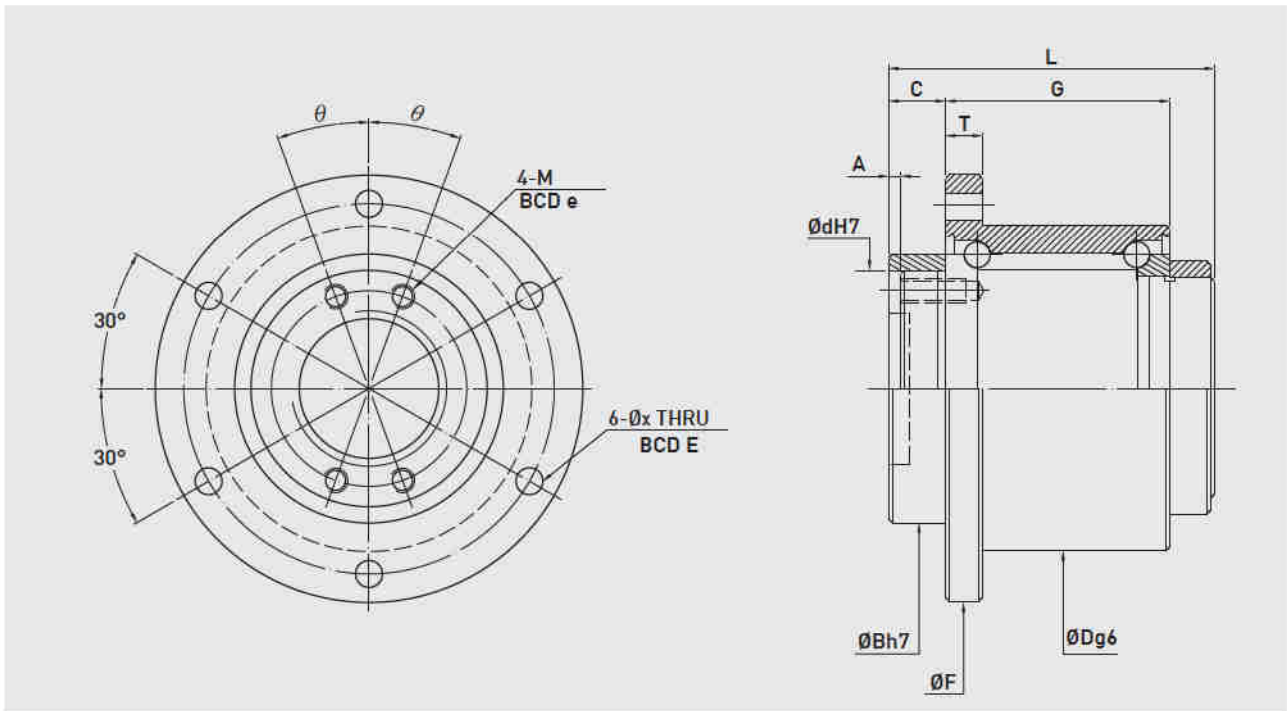
Example: 4R25 - 25K4 - DFSCR2EW - 800 - 1000 - 0.05

↓
HIWIN R2 code



Model	Bearing		Nut				Flange			Bolt			
	Dynamic Load(kgf)	Static Load(kgf)	D	G	L	C	J	F	T	BCD-E	BCD-e	M	X
25-5T6	1243	2567	66	25	92	13	6	86	7	75	43	M6x1P	5.5
25-10T6	1243	2567	66	25	106	11	6	86	7	75	43	M6x1P	5.5
32-5T6	2050	4277	78	25	94	11	10	103	8	89	53	M6x1P	6.6
32-6T6	2050	4277	78	25	102	11	10	103	8	89	53	M6x1P	6.6
32-10T6	2050	4277	78	25	134	11	10	103	8	89	53	M6x1P	6.6
36-10T6	2574	5594	92	33	151	14	10	122	10	105	61	M8x1.25P	9

R2 ROTATING NUT



Model	Bearing		Nut				Flange		Bolt				Collar			
	Dynamic Load(kgf)	Static Load(kgf)	D	G	L	C	F	T	BCD-E	BCD-e	θ	M	X	d	B	A
25-25K4	1243	2567	72	43	65	8	92	8	81	38	20	M6x1P	5.5	47	58	3
32-32K4	2046	4277	80	55	80	9	105	9	91	48	20	M6x1P	6.6	58	66	3
50-50K4	4368	10264	120	80	126	12	156	12	136	75	25	M10x1.5P	11	90	100	2