

8.5 Dust-proof Type



• Features:

The dust-proof ballscrew is designed to prevent particles or debris entering the ballnut, especially under special operating conditions such as saw dust, iron filings, etc.

• Dust-proof specification:

4R25-25K2-FSCSH-1835-1959-0.023



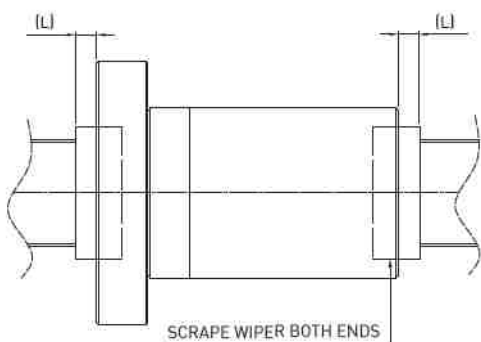
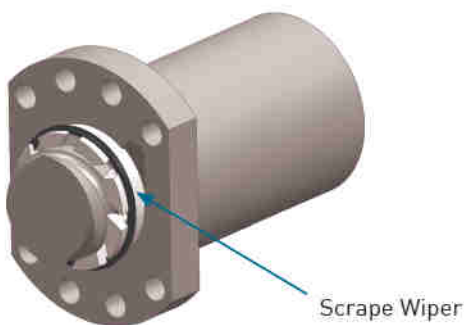
HIWIN Dust-Proof Code [SS, SH, NW, EW]

• Dust-proof Type

1. SS (Scrape Wiper)

Protruding from the end surface of a ball nut, flexible finger parts are pressed by a spring to eliminate the gap, fit the shaft surface perfectly, and improve the dustproof ability dramatically.

The slit between the fingers can remove the particles scraped from the shaft surface. Available sizes for SS type ballscrew are shown in the table.

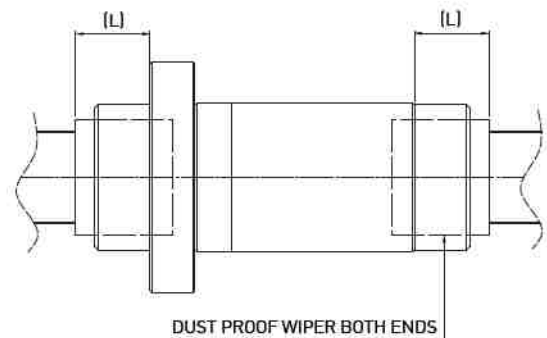
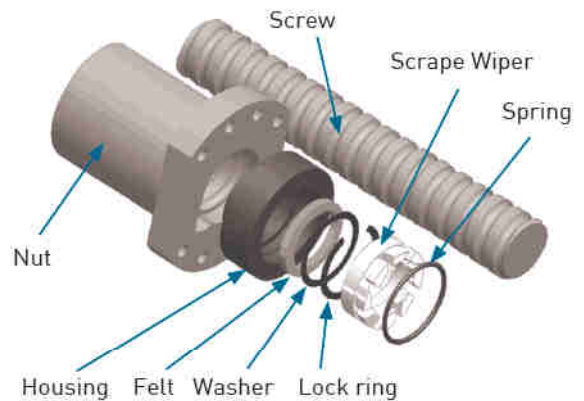


Nominal diameter	Lead	L Max.
25	-	5
32	-	5
36	< 10	5
	≥ 10	6
40	< 10	5
	≥ 10	6
45	< 10	5
	≥ 10	6
50	< 10	5
	≥ 10	6

Unit:mm

2. SH (Felt + Scrape Wiper)

Finger wiper and high dense felt prevents powdery dust and improve dustproof effect.

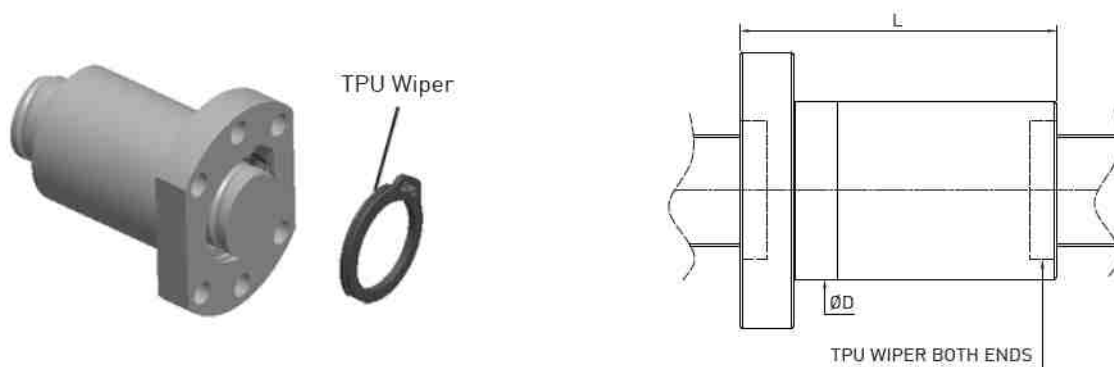


Nominal diameter	Lead	L Max.
25	-	20
32	< 10	20
	≥ 10	25
36	< 10	20
	≥ 10	25
40	< 10	20
	≥ 10	30
45	< 10	20
	≥ 10	30
50	< 10	20
	≥ 10	30

Unit:mm

3. EW (Wiper)

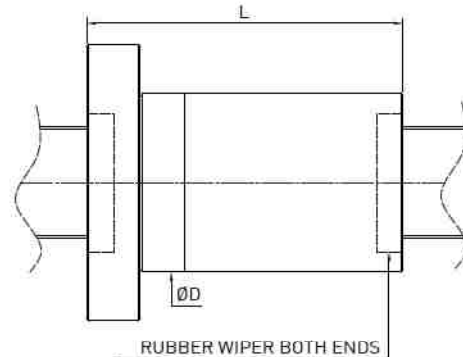
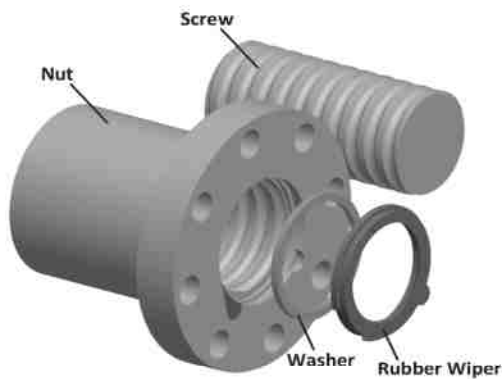
High dust-proof EW wiper is designed for standard DIN nut of Roller ballscrew, suited for applications like woodworking machining, graphite machining etc.



Model	Ball Dia. (mm)	Nominal Dia. (mm)	Lead (mm)	Dynamic Load C(kgf)	Static Load Co(kgf)	ØD	L
R12-5K3	2	12	5	540	900	24	28
2R12-10K2	2.381	12	10	440	660	24	33
R15-5K4	3	15	5	1290	2140	28	38
L15-5K4	3	15	5	1290	2140	28	38
2R15-10K3	3	15	10	1010	1670	28	45
4R15-16K3	3	15	16	1010	1730	28	61
R20-5K4	3	20	5	1500	2930	36	40
2R20-10K4	3	20	10	1520	3050	36	60
4R20-20K3	3.175	20	20	1250	2420	36	77
R25-5K5	3	25	5	2040	4680	38	57
R25-10K4	3	25	10	1660	3680	40	64
4R25-25K4	3.175	25	25	1380	3990	40	71
R32-5K4	3.175	32	5	2070	5360	50	48
R32-10K5	3.969	32	10	3390	8160	50	77
2R32-20K3	3.969	32	20	2130	4890	50	84
4R32-32K2	3.969	32	32	1440	3170	50	88
R38-10K4	6.35	38	10	5660	12410	63	70
2R38-20K3	6.35	38	20	4300	9060	63	88
4R38-40K2	6.35	38	20	2900	5910	63	108

4. NW (Wiper)

Seal type NW wiper is designed for standard DIN nut of Roller ballscrew, suited for applications like transport equipment, automation equipment etc.



Model	Ball Dia. (mm)	Nominal Dia. (mm)	Lead (mm)	Dynamic Load C(kgf)	Static Load Co(kgf)	ØD	L
2R12-10K3	2.381	12	10	520	1030	24	43
2R15-10K3	3.175	15	10	860	1740	34	44
4R15-16K3	3	15	16	810	1730	28	61
4R15-20K2	3.175	15	20	570	1130	34	50
R16-5T3	3.175	16	5	664	1195	28	40
R16-10T3	3.175	16	10	623	1102	28	60
R20-5K4	3.175	20	5	1340	3270	36	40
R20-10K3	3.175	20	10	990	2260	36	47
4R20-20K2	3.175	20	20	690	1560	36	57
R25-5K5	3.175	25	5	1820	5240	40	48
R25-10K4	3.175	25	10	1480	4120	40	61
4R25-25K2	3.175	25	25	760	1950	40	70
R32-5K4	3.175	32	5	1660	5370	50	38
R32-10K4	3.969	32	10	2210	6470	50	63
2R32-20K3	3.969	32	20	1710	4890	50	88
4R32-32K2	3.969	32	32	1160	3170	50	88
R38-10K4	6.35	38	10	4550	12410	63	70
2R38-20K4	6.35	38	20	4490	12290	63	108
4R38-40K2	6.35	38	40	2330	5910	63	102
R40-5K5	3.175	40	5	2200	8320	63	45
R40-10T3	6.35	40	10	2651	6366	63	74
4R40-40K2	6.35	40	40	2390	6260	70	102
R48-10K6	6.35	48	10	7330	24280	75	90
R50-5K6	3.175	50	5	2830	12720	75	50
R50-10T4	6.35	50	10	3899	11112	75	89
R63-10T4	6.35	63	10	4369	14273	90	91