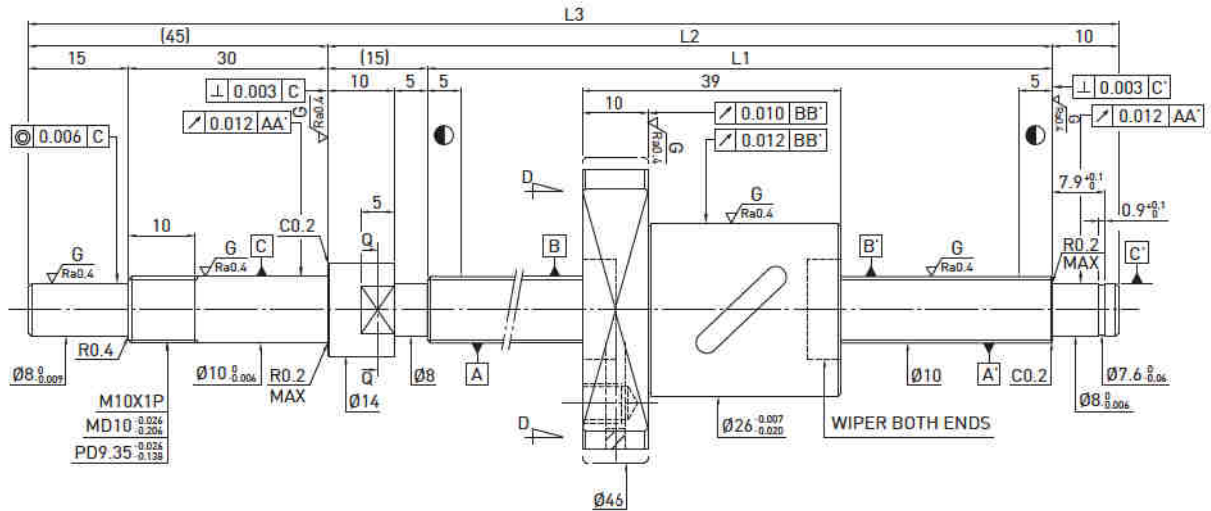
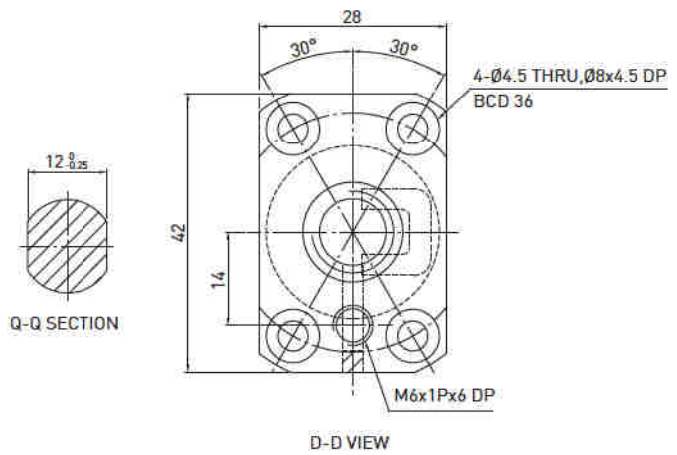


FSB Type (SHAFT OD 10, LEAD 4) ◀ Miniature



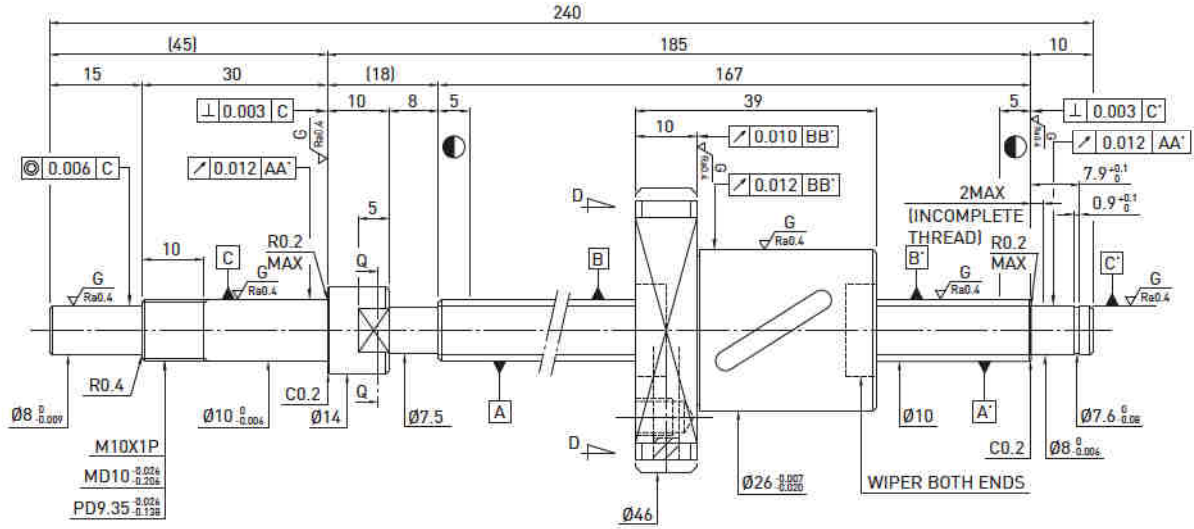
Ball screw Data	
Direction	Right Hand
Lead (mm)	4
Lead Angle	7.11°
P.C.D (mm)	10.2
Screw P.C.D (mm)	10.2
RD (mm)	8.136
Steel Ball (mm)	Ø2
Circuits	2.5x1
Dynamic Load C (kgf)	176 280
Static Load Co (kgf)	225 449
Axial Play (mm)	0 0.005 MAX
Drag Torque (kgf-cm)	0.05~0.4 0.1 MAX
Spacer Ball	1 : 1 -



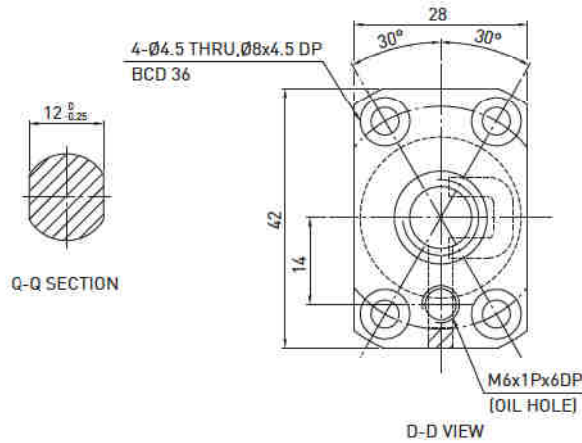
Unit : mm

Stroke	HIWIN Code	L1	L2	L3	Accuracy grade
50	R10-4B1-FSB-110-180-0.008	110	125	180	C3
100	R10-4B1-FSB-160-230-0.008	160	175	230	C3
150	R10-4B1-FSB-210-280-0.008	210	225	280	C3
200	R10-4B1-FSB-260-330-0.008	260	275	330	C3
250	R10-4B1-FSB-310-380-0.008	310	325	380	C3
300	R10-4B1-FSB-360-430-0.008	360	375	430	C3

FSB Type (SHAFT OD 10, LEAD 10) ◀ Miniature



Ball screw Data	
Direction	Right Hand
Lead (mm)	10
Lead Angle	16.71°
P.C.D (mm)	10.6
Screw P.C.D (mm)	10.6
RD (mm)	7.324
Steel Ball (mm)	Ø3.175
Circuits	1.5x1
Dynamic Load C (kgf)	223 354
Static Load Co (kgf)	245 489
Axial Play (mm)	0 0.005 MAX
Drag Torque (kgf-cm)	0.1~0.5 -
Spacer Ball	1 : 1 -



Unit : mm

Stroke	HIWIN Code	L1	L2	L3	Accuracy grade
100	R10-10A1-FSB-167-240-0.008	167	185	240	C3
150	R10-10A1-FSB-217-290-0.008	217	235	290	C3
200	R10-10A1-FSB-267-340-0.008	267	285	340	C3
250	R10-10A1-FSB-317-390-0.008	317	335	390	C3
300	R10-10A1-FSB-367-440-0.008	367	385	440	C3