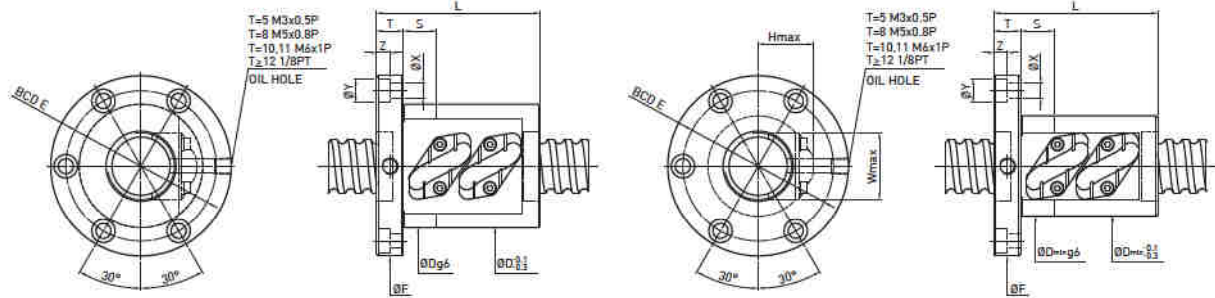


FST Type ◀ Standard Product



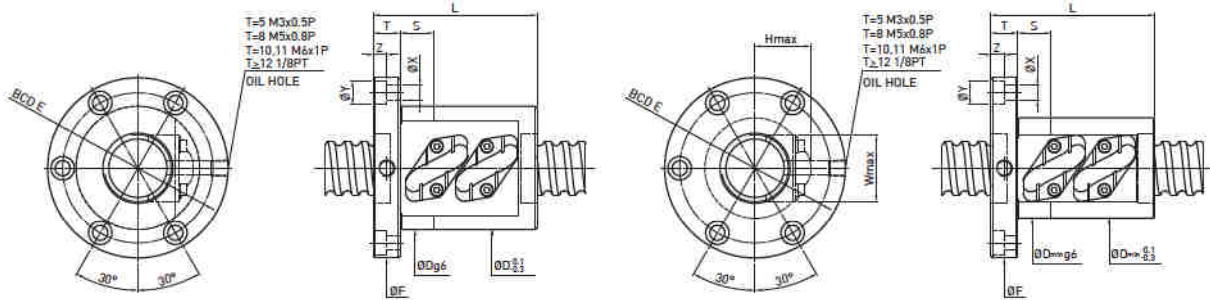
Re-circulation plate below the nut body

Re-circulation plate above the nut body

Model	Size		PCD	RD	Ball Dia.	Circuits	Stiffness K (kgf/µm)	Dynamic Load C(kgfl)	Static Load Co(kgfl)	Nut			Flange			Return Tube		Bolt			Fit
	Nominal Dia.	Lead								D	D _{min}	L	F	T	BCD-E	W	H	X	Y	Z	
R8-3A1	8	3	8.22	6.156	2	1.6x1	7.9	230	350	21	17	28	36	5	28	14	12	4.5	0	0	0
R8-5B1	8	5	8.22	6.156	2	2.6x1	11.5	360	600	24	18	37	44	8	34	15	13	4.5	8	4	0
R10-4B1	10	4	9.82	7.756	2	2.6x1	14	410	770	24	20	39	46	10	36	16	13	4.5	8	4	10
R10-5A1	10	5	10.02	7.956	2	1.6x1	10.1	270	470	23	19	30	46	10	36	15	13	4.5	8	4	10
R10-4B1	10	4	10.2	7.742	2.381	2.6x1	15.8	500	870	27	23	41	49	10	37	17	16	4.5	8	4	10
R12-5B1	12	5	12.1	9.642	2.381	2.6x1	18.9	560	1090	31	24	40	50	10	40	18	18	4.5	8	4	12
R12-6B1	12	6	12.1	9.642	2.381	2.6x1	18.9	560	1090	29	24	43	50	10	40	20	16	4.5	8	4	12
R12-10A1	12	10	12.08	9.622	2.381	1.6x1	11.5	360	650	30	24	42	50	10	40	17	17	4.5	8	4	12
R12-10B1	12	10	12.08	9.622	2.381	2.6x1	18.4	550	1070	31	25	50	50	10	40	19	18	4.5	8	4	12
R12-20A1	12	20	12.25	9.792	2.381	1.6x1	10.8	350	670	29	25	65	50	10	40	20	16	4.5	8	4	12
R14-4B1	14	4	14.25	11.792	2.381	2.6x1	20.7	600	1250	32	26	41	52	10	42	20	17	4.5	8	4	12
R15-5B1	15	5	15.6	12.324	3.175	2.6x1	23.3	920	1820	35	30	44	58	10	45	23	20	5.5	9.5	5.5	12
R15-10B1	15	10	15.64	12.364	3.175	2.6x1	23.2	900	1800	34	30	55	57	11	45	24	19	5.5	9.5	5.5	12
R15-20A1	15	20	15.675	12.399	3.175	1.6x1	13.9	570	1110	40	32	64	60	11	47	25	22	5.5	9.5	5.5	12
R15-30A1	15	30	15.6	12.324	3.175	1.6x1	13.1	560	1150	41	33	85	62	11	50	27	21	5.5	9.5	5.5	12
R16-5B1	16	5	16.6	12.324	3.175	2.6x1	24.5	950	1960	38	31	45	64	12	51	24	20	5.5	9.5	5.5	12
R16-5B2	16	5	16.6	12.324	3.175	2.6x2	47.7	1730	3920	38	31	60	64	12	51	24	20	5.5	9.5	5.5	12
R16-10B1	16	10	16.6	12.324	3.175	2.6x1	24.6	940	1930	39	31	60	64	12	51	23	21	5.5	9.5	5.5	12
R20-4B1	20	4	20.25	17.792	2.381	2.6x1	27.4	720	1850	40	36	42	68	12	55	26	22	5.5	9.5	5.5	12
R20-4B2	20	4	20.25	17.792	2.381	2.6x2	53.3	1310	3700	40	36	54	68	12	55	26	22	5.5	9.5	5.5	12
R20-5B1	20	5	20.6	17.324	3.175	2.6x1	29.3	1070	2490	42	37	45	68	12	55	26	23	5.5	9.5	5.5	12
R20-5B2	20	5	20.6	17.324	3.175	2.6x2	56.8	1950	4980	42	37	60	68	12	55	26	23	5.5	9.5	5.5	12
R20-40A1	20	40	20.36	17.084	3.175	1.6x1	22.1	630	1500	48	41	100	73	12	60	33	24	5.5	9.5	5.5	12
R20-10B1	20	10	20.8	16.744	3.969	2.6x1	32.7	1410	3040	46	40	54	72	12	59	30	25	5.5	9.5	5.5	12
R25-4B2	25	4	25.25	22.792	2.381	2.6x2	63.2	1450	4740	46	42	48	69	11	57	30	25	5.5	9.5	5.5	12
R25-5B2	25	5	25.57	22.294	3.175	2.6x2	67.4	2170	6310	49	44	60	74	12	62	33	25	5.5	9.5	5.5	12
R25-10B1	25	10	25.6	22.324	3.175	2.6x1	35.8	1180	3130	49	44	65	74	12	62	31	26	5.5	9.5	5.5	12
R25-12A1	25	12	25.8	21.744	3.969	1.6x1	24.8	1040	2370	55	47	48	78	11	64	33	29	6.6	11	6.5	12
R25-12B1	25	12	25.8	21.744	3.969	2.6x1	39.5	1590	3860	53	46	60	78	11	64	33	28	6.6	11	6.5	12
R25-12C1	25	12	25.8	21.744	3.969	3.6x1	53.9	2100	5350	53	46	72	78	11	64	33	28	6.6	11	6.5	12
R25-25A1	25	25	26.03	21.974	3.969	1.6x1	24.6	1030	2410	55	50	78	82	12	69	37	29	6.6	11	6.5	12
R25-8B1	25	8	26	21.132	4.763	2.6x1	40.6	2050	4700	57	48	56	86	15	73	34	30	6.6	11	6.5	12
R25-8B2	25	8	26	21.132	4.763	2.6x2	78.7	3730	9400	57	48	80	86	15	73	34	30	6.6	11	6.5	12
R25-10A2	25	10	26.1	21.232	4.763	1.6x2	49.7	2440	5770	55	49	75	86	15	73	35	30	6.6	11	6.5	12
R25-10B1	25	10	26.1	21.232	4.763	2.6x1	40.7	2040	4690	55	49	65	86	15	73	35	30	6.6	11	6.5	12
R25-10B2	25	10	26.1	21.232	4.763	2.6x2	79.7	3710	9380	55	49	97	86	15	73	35	30	6.6	11	6.5	12
R25-16B1	25	16	26	21.132	4.763	2.6x1	40.6	2010	4630	57	49	83	86	15	73	36	29	6.6	11	6.5	12
R25-20B1	25	20	26	21.132	4.763	2.6x1	40	1990	4590	55	48	95	86	15	73	35	29	6.6	11	6.5	12
R28-5B1	28	5	28.76	25.484	3.175	2.6x1	37.7	1250	3550	54	48	45	85	12	69	34	28	6.6	11	6.5	12
R28-5B2	28	5	28.76	25.484	3.175	2.6x2	73.3	2280	7100	54	48	60	85	12	69	34	28	6.6	11	6.5	12
R28-6B1	28	6	28.6	25.324	3.175	2.6x1	38.3	1250	3550	55	47	48	85	12	69	34	27	6.6	11	6.5	12
R28-6B2	28	6	28.6	25.324	3.175	2.6x2	74.4	2280	7100	55	47	63	85	12	69	34	27	6.6	11	6.5	12
R28-8B1	28	8	29	24.132	4.763	2.6x1	44.2	2170	5300	58	52	60	86	12	73	37	31	6.6	11	6.5	12
R28-8B2	28	8	29	24.132	4.763	2.6x2	85.8	3950	10600	58	52	83	86	12	73	37	31	6.6	11	6.5	12
R28-8C1	28	8	29	24.132	4.763	3.6x1	60.3	2880	7340	58	52	65	86	12	73	37	31	6.6	11	6.5	12
R28-8C2	28	8	29	24.132	4.763	3.6x2	117.1	5230	14680	58	52	97	86	12	73	37	31	6.6	11	6.5	12
R28-10B1	28	10	29	24.132	4.763	2.6x1	44.7	2170	5290	60	53	64	88	12	75	39	32	6.6	11	6.5	12
R28-10B2	28	10	29	24.132	4.763	2.6x2	86.7	3940	10580	60	53	94	88	12	75	39	32	6.6	11	6.5	12

Note: Rigidity without preload: The axial load is calculated by 30% of dynamic load.

FST Type ◀ Standard Product



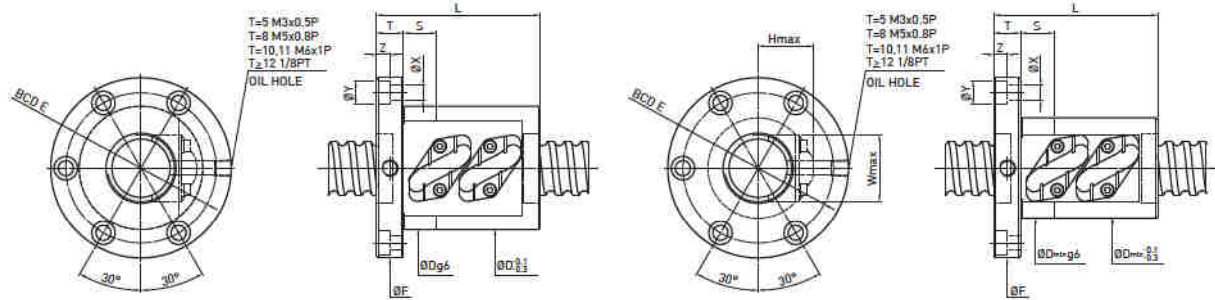
Re-circulation plate below the nut body

Re-circulation plate above the nut body

Model	Size		PCD	RD	Ball Dia.	Circuits	Stiffness K (kgf/µm)	Dynamic Load C(kgf)	Static Load Co(kgf)	Nut			Flange			Return Tube		Bolt			Fit
	Nominal Dia.	Lead								D	D _{min}	L	F	T	BCD-E	W	H	X	Y	Z	
R28-12C2	28	12	29	24.132	4.763	3.6x2	118.7	5200	14610	60	52	125	86	12	73	37	32	6.6	11	6.5	12
R28-16B2	28	16	29.4	22.91	6.35	2.6x2	87.6	5520	13440	66	56	128	94	12	80	39	35	6.6	11	6.5	12
R32-4B2	32	4	32.25	29.792	2.381	2.6x2	74.4	1600	6080	54	50	55	84	12	71	35	27	6.6	11	6.5	12
R32-5B2	32	5	32.4	29.124	3.175	2.6x2	80.3	2420	8160	57	52	60	84	12	71	34	29	6.6	11	6.5	12
R32-6B2	32	6	32.94	28.884	3.969	2.6x2	90.8	3310	10270	60	56	63	88	12	75	39	31	6.6	11	6.5	12
R32-10B2	32	10	32.62	28.564	3.969	2.6x2	93.8	3300	10230	58	54	87	84	12	71	38	31	6.6	11	6.5	12
R32-8B2	32	8	33.16	28.292	4.763	2.6X2	92.3	4130	11820	62	58	86	96	16	78	40	33	9	14	8.5	15
R32-10B2	32	10	33	28.132	4.763	2.6X2	93.3	4120	11800	60	57	95	96	16	78	39	33	9	14	8.5	15
R32-12B2	32	12	33	28.132	4.763	2.6X2	93.9	4110	11770	61	57	105	96	16	78	39	33	9	14	8.5	15
R32-20B1	32	20	33	28.132	4.763	2.6X1	50.3	2300	6090	64	57	100	102	16	84	40	34	9	14	8.5	15
R32-25B1	32	25	33.1	28.232	4.763	2.6X1	49.6	2270	6030	63	58	110	102	16	84	41	32	9	14	8.5	15
R32-10A2	32	10	33.4	26.91	6.35	1.6x2	61.3	3980	9650	68	62	80	102	16	84	43	36	9	14	8.5	15
R32-10B2	32	10	33.4	26.91	6.35	2.6x2	97.6	6040	15690	70	61	98	108	16	90	43	36	9	14	8.5	15
R32-10C1	32	10	33.4	26.91	6.35	3.6x1	68.7	4400	10860	70	60	78	108	16	90	42	37	9	14	8.5	15
R32-12A2	32	12	33.4	26.91	6.35	1.6x2	61.7	3970	9630	68	60	97	108	18	90	42	35	9	14	8.5	15
R32-12B2	32	12	33.4	26.91	6.35	2.6x2	97.9	6020	15660	66	60	110	108	18	90	42	35	9	14	8.5	15
R32-12C1	32	12	33.4	26.91	6.35	3.6x1	69	4390	10840	69	61	98	108	18	90	43	36	9	14	8.5	15
R32-16B1	32	16	33.4	26.91	6.35	2.6x1	50.7	3290	7790	71	61	94	108	16	90	44	37	9	14	8.5	15
R32-16B2	32	16	33.4	26.91	6.35	2.6x2	98.4	5980	15580	71	61	130	108	16	90	44	37	9	14	8.5	15
R32-16C1	32	16	33.4	26.91	6.35	3.6x1	69.2	4360	10790	71	61	100	108	16	90	44	37	9	14	8.5	15
R32-20B1	32	20	33.4	26.91	6.35	2.6x1	50.4	3270	7740	68	60	98	108	16	90	42	36	9	14	8.5	15
R32-12B2	32	12	33.6	26.299	7.144	2.6x2	97.9	6900	17180	74	64	115	108	16	90	44	39	9	14	8.5	15
R32-12C1	32	12	33.6	26.299	7.144	3.6x1	68.8	5020	11900	74	64	95	108	16	90	44	39	9	14	8.5	15
R32-15B2	32	15	33.6	26.299	7.144	2.6x2	98.1	6860	17120	74	65	130	108	16	90	46	39	9	14	8.5	15
R32-16B2	32	16	33.6	26.299	7.144	2.6x2	98	6850	17100	74	65	139	108	16	90	45	39	9	14	8.5	15
R36-6B2	36	6	36.8	32.744	3.969	2.6x2	98.1	3470	11510	65	60	68	100	12	82	43	33	6.6	11	6.5	12
R36-10B2	36	10	37.45	30.96	6.35	2.6x2	106.9	6430	17810	72	65	102	125	18	98	45	38	11	17.5	11	15
R36-16A2	36	16	37.4	30.91	6.35	1.6x2	68.3	4210	10900	74	66	105	120	18	98	47	38	11	17.5	11	15
R36-16B2	36	16	37.4	30.91	6.35	2.6x2	108.6	6390	17720	74	66	140	120	18	98	47	38	11	17.5	11	15
R36-20B1	36	20	37.4	30.91	6.35	2.6x1	55.9	3490	8810	76	66	100	120	18	98	47	39	11	17.5	11	15
R40-8A2	40	8	41	36.132	4.763	1.6x2	70.3	3070	9460	75	70	70	108	16	90	47	38	9	14	8.5	15
R40-8B2	40	8	41	36.132	4.763	2.6x2	111.9	4670	15380	74	72	86	108	16	90	50	38	9	14	8.5	15
R40-8C2	40	8	41	36.132	4.763	3.6x2	152.9	6180	21300	74	70	100	108	16	90	47	38	9	14	8.5	15
R40-10B2	40	10	41	36.132	4.763	2.6x2	113.3	4660	15360	72	66	100	108	16	90	46	37	9	14	8.5	15
R40-16B2	40	16	41	36.132	4.763	2.6x2	115.5	4630	15290	72	69	134	108	16	90	48	37	9	14	8.5	15
R40-10B2	40	10	41.4	34.91	6.35	2.6x2	116	6790	19940	78	74	102	125	18	104	53	41	11	17.5	11	15
R40-10C1	40	10	41.4	34.91	6.35	3.6x1	81.7	4950	13800	79	70	82	125	18	104	48	41	11	17.5	11	15
R40-12B2	40	12	41.4	34.91	6.35	2.6x2	117.2	6780	19910	78	70	117	128	18	106	48	41	11	17.5	11	15
R40-12C2	40	12	41.4	34.91	6.35	3.6x2	160	8970	27570	78	71	141	128	18	106	50	40	11	17.5	11	15
R40-16B2	40	16	41.49	35	6.35	2.6x2	118.5	6750	19850	81	73	139	128	18	106	48	41	11	17.5	11	15
R40-20A1	40	20	41.4	34.91	6.35	1.6x1	38.4	2430	6080	80	72	84	128	18	106	49	42	11	17.5	11	15
R40-20A2	40	20	41.4	34.91	6.35	1.6x2	74.5	4420	12160	80	72	124	128	18	106	49	42	11	17.5	11	15
R40-20B1	40	20	41.4	34.91	6.35	2.6x1	61.6	3700	9880	80	71	104	128	18	106	49	42	11	17.5	11	15
R40-20B2	40	20	41.4	34.91	6.35	2.6x2	118.5	6710	19760	80	71	161	128	18	106	49	42	11	17.5	11	15
R40-20C1	40	20	41.4	34.91	6.35	3.6x1	83.4	4890	13680	80	71	121	128	18	106	49	42	11	17.5	11	15
R40-25A1	40	25	41.4	34.91	6.35	1.6x1	38.2	2410	6040	78	73	90	128	18	106	52	40	11	17.5	11	15
R40-25B1	40	25	41.4	34.91	6.35	2.6x1	60.7	3670	9820	78	73	115	128	18	106	52	40	11	17.5	11	15
R40-10A2	40	10	41.6	34.299	7.144	1.6x2	74.6	5250	13870	82	73	82	128	18	106	51	42	11	17.5	11	20

Note: Rigidity without preload: The axial load is calculated by 30% of dynamic load.

FST Type ◀ Standard Product



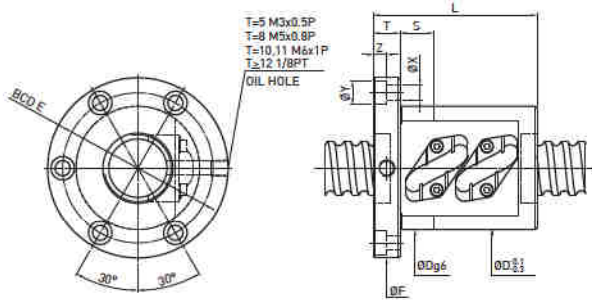
Re-circulation plate below the nut body

Re-circulation plate above the nut body

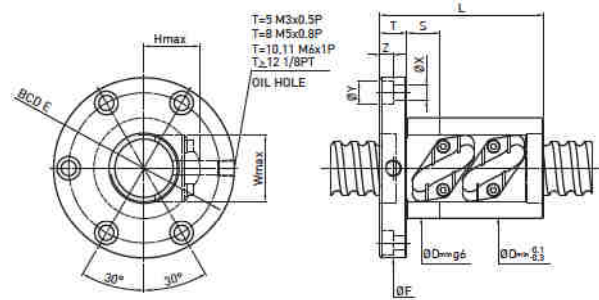
Model	Size		PCD	RD	Ball Dia.	Circuits	Stiffness K (kgf/µm)	Dynamic Load C(kgf)	Static Load Co(kgf)	Nut			Flange			Return Tube		Bolt			Fit
	Nominal Dia.	Lead								D	D _{min}	L	F	T	BCD-E	W	H	X	Y	Z	
R40-10B2	40	10	41.6	34.299	7.144	2.6x2	118.8	7980	22550	82	73	102	128	18	106	51	42	11	17.5	11	20
R40-10C2	40	10	41.6	34.299	7.144	3.6x2	162.2	10550	31220	82	73	122	128	18	106	51	42	11	17.5	11	20
R40-12A2	40	12	41.6	34.299	7.144	1.6x2	75.3	5240	13860	80	73	93	128	18	106	52	42	11	17.5	11	20
R40-12B1	40	12	41.6	34.299	7.144	2.6x1	61.7	4390	11260	79	74	81	128	18	106	52	42	11	17.5	11	20
R40-12B2	40	12	41.6	34.299	7.144	2.6x2	119.7	7960	22520	79	74	117	128	18	106	52	42	11	17.5	11	20
R40-12C1	40	12	41.6	34.299	7.144	3.6x1	84.2	5800	15590	79	74	93	128	18	106	52	41	11	17.5	11	20
R40-12C2	40	12	41.6	34.299	7.144	3.6x2	163.4	10540	31180	79	74	141	128	18	106	52	41	11	17.5	11	20
R40-16A2	40	16	41.6	34.299	7.144	1.6x2	76.1	5220	13810	81	73	118	128	18	106	49	42	11	17.5	11	20
R40-16B1	40	16	41.6	34.299	7.144	2.6x1	62.4	4370	11220	81	72	102	128	18	106	49	42	11	17.5	11	20
R40-16B2	40	16	41.6	34.299	7.144	2.6x2	121	7930	22450	81	72	145	128	18	106	49	42	11	17.5	11	20
R40-16C1	40	16	41.6	34.299	7.144	3.6x1	85.1	5780	15540	81	73	118	128	18	106	49	42	11	17.5	11	20
R40-20A2	40	20	41.6	34.299	7.144	1.6x2	76.2	5190	13750	82	74	124	128	18	106	52	42	11	17.5	11	20
R40-20B1	40	20	41.6	34.299	7.144	2.6x1	62.5	4340	11170	82	74	104	128	18	106	52	42	11	17.5	11	20
R40-20B2	40	20	41.6	34.299	7.144	2.6x2	121.2	7890	22350	82	74	161	128	18	106	52	42	11	17.5	11	20
R40-20C1	40	20	41.6	34.299	7.144	3.6x1	85.3	5750	15470	82	74	121	128	18	106	52	42	11	17.5	11	20
R40-25A1	40	25	41.6	34.299	7.144	1.6x1	39.1	2840	6830	83	73	90	128	18	106	51	43	11	17.5	11	20
R40-25B1	40	25	41.6	34.299	7.144	2.6x1	62.2	4310	11100	83	73	115	128	18	106	51	43	11	17.5	11	20
R45-5B2	45	5	45.6	42.324	3.175	2.6x2	100.6	2780	11610	72	68	65	108	16	90	45	37	9	14	8.5	15
R45-8B2	45	8	46	41.132	4.763	2.6x2	120.4	4880	17180	80	75	84	116	16	98	50	39	9	14	8.5	15
R45-10B1	45	10	46.4	39.91	6.35	2.6x1	66.5	4020	11540	84	77	74	132	18	110	53	44	11	17.5	11	15
R45-10B2	45	10	46.4	39.91	6.35	2.6x2	129.1	7300	23090	84	77	104	132	18	110	53	44	11	17.5	11	15
R45-12A2	45	12	46.4	39.91	6.35	1.6x2	75.3	4800	14190	85	78	86	132	18	110	53	43	11	17.5	11	15
R45-16A2	45	16	46.4	39.91	6.35	1.6x2	83.2	4780	14160	84	78	102	132	18	110	53	43	11	17.5	11	15
R45-20B2	45	20	46.4	39.91	6.35	2.6x2	132.9	7230	22930	84	78	162	132	18	110	53	44	11	17.5	11	15
R45-20C1	45	20	46.4	39.91	6.35	3.6x1	93.5	5270	15870	84	78	120	132	18	110	53	44	11	17.5	11	15
R45-12B2	45	12	46.6	39.299	7.144	2.6x2	130	8390	25230	87	80	115	132	18	110	55	45	11	17.5	11	20
R45-25A1	45	25	46.6	39.299	7.144	1.6x1	42.8	3000	7670	90	82	90	132	18	110	58	47	11	17.5	11	20
R45-25B1	45	25	46.6	39.299	7.144	2.6x1	68.1	4550	12470	90	82	115	132	18	110	58	47	11	17.5	11	20
R45-25C1	45	25	46.6	39.299	7.144	3.6x1	93	6030	17270	90	82	140	132	18	110	58	47	11	17.5	11	20
R45-12B2	45	12	46.8	38.688	7.938	2.6x2	131.7	9620	27850	92	84	123	142	22	117	58	47	13	20	13	20
R45-20B2	45	20	46.8	38.688	7.938	2.6x2	133.7	9550	27690	91	80	175	142	22	117	55	47	13	20	13	20
R45-25B1	45	25	46.8	38.688	7.938	2.6x1	68.9	5220	13770	93	81	124	142	22	117	55	48	13	20	13	20
R50-8B2	50	8	51	46.132	4.763	2.6x2	127.8	5070	18980	83	80	88	128	18	107	55	41	11	17.5	11	15
R50-8B3	50	8	51	46.132	4.763	2.6x3	188.5	7180	28470	83	80	112	128	18	107	55	41	11	17.5	11	15
R50-12B1	50	12	51	46.132	4.763	2.6x1	68.4	2780	9470	85	82	74	128	18	107	57	43	11	17.5	11	15
R50-10B2	50	10	51.4	44.91	6.35	2.6x2	136.9	7550	25240	90	85	104	135	18	114	57	47	11	17.5	11	15
R50-20B2	50	20	51.4	44.91	6.35	2.6x2	141.9	7490	25100	90	83	162	135	18	114	55	46	11	17.5	11	15
R50-25B2	50	25	51.6	44.299	7.144	2.6x2	143	8670	27680	95	90	191	140	18	118	64	47	11	17.5	11	15
R50-12B1	50	12	51.8	43.688	7.938	2.6x1	73.4	5590	15580	96	90	87	150	22	125	62	50	13	20	13	20
R50-12B2	50	12	51.8	43.688	7.938	2.6x2	142.5	10150	31170	96	90	123	150	22	125	62	50	13	20	13	20
R50-16A2	50	16	51.8	43.688	7.938	1.6x2	91	6670	19140	96	89	113	150	22	125	61	50	13	20	13	20
R50-16B2	50	16	51.8	43.688	7.938	2.6x2	144.8	10120	31100	97	88	152	150	22	125	61	50	13	20	13	20
R50-16C2	50	16	51.8	43.688	7.938	3.6x2	197.5	13390	43070	96	89	184	150	22	125	61	50	13	20	13	20
R50-20A2	50	20	51.8	43.688	7.938	1.6x2	91.6	6640	19090	98	91	134	150	22	125	63	50	13	20	13	20
R50-20B2	50	20	51.8	43.688	7.938	2.6x2	145.7	10090	31020	97	89	165	150	22	125	62	50	13	20	13	20
R50-20C1	50	20	51.8	43.688	7.938	3.6x1	102.6	7350	21470	98	91	130	150	22	125	63	50	13	20	13	20
R50-25B2	50	25	51.8	43.688	7.938	2.6x2	145.7	10030	30890	99	88	193	150	22	125	60	49	13	20	13	20
R50-20B2	50	20	52.2	42.466	9.525	2.6x2	152.7	13500	37530	99	93	175	152	28	128	67	51	13	20	13	30

Note: Rigidity without preload: The axial load is calculated by 30% of dynamic load.

FST Type ◀ Standard Product



Re-circulation plate below the nut body



Re-circulation plate above the nut body

Model	Size		PCD	RD	Ball Dia.	Circuits	Stiffness K (kgf/μm)	Dynamic Load C(kgf)	Static Load Co(kgf)	Nut			Flange			Return Tube		Bolt			Fit
	Nominal Dia.	Lead								D	D _{min}	L	F	T	BCD-E	W	H	X	Y	Z	
R55-10B2	55	10	56.46	49.97	6.35	2.6x2	144.2	7790	27390	95	92	103	144	18	122	62	48	11	17.5	11	20
R55-20B2	55	20	56.6	49.299	7.144	2.6x2	157.8	9330	31780	96	93	165	144	18	122	64	49	11	17.5	11	20
R55-24A1	55	24	56.6	49.299	7.144	1.6x1	51.5	3370	9750	99	93	94	144	18	122	64	50	11	17.5	11	20
R55-24A2	55	24	56.6	49.299	7.144	1.6x2	99.8	6120	19500	99	93	142	144	18	122	64	50	11	17.5	11	20
R55-24B2	55	24	56.6	49.299	7.144	2.6x2	158.7	9290	31690	99	93	189	144	18	122	64	50	11	17.5	11	20
R60-24A2	60	24	62.2	52.466	9.525	1.6x2	108.7	9285	27490	113	104	150	170	22	145	71	58	13	20	13	20
R60-32C1	60	32	62.2	52.466	9.525	3.6x1	123.8	10731	30750	114	105	180	170	22	145	72	57	13	20	13	20
R63-8B2	63	8	64	59.132	4.763	2.6x2	151.3	5610	24340	102	98	100	146	18	124	66	49	11	17.5	11	20
R63-10B2	63	10	64.4	57.91	6.35	2.6x2	159.4	8270	31630	107	103	107	152	20	130	71	52	11	17.5	11	20
R63-10B3	63	10	64.4	57.91	6.35	2.6x3	235.1	11720	47440	107	103	137	152	20	130	71	52	11	17.5	11	20
R63-12B2	63	12	64.8	56.688	7.938	2.6x2	167.5	11270	39470	110	106	124	166	22	141	71	57	13	20	13	20
R63-32B1	63	32	64.8	56.688	7.938	2.6x1	90.2	6120	19530	113	107	145	166	22	141	76	55	13	20	13	20
R63-16B2	63	16	65.2	55.466	9.525	2.6x2	178.6	14861	47240	122	114	153	172	22	147	82	60	13	20	13	20
R63-20B2	63	20	65.2	55.466	9.525	2.6x2	180.3	14861	47160	118	111	176	172	22	147	77	60	13	20	13	20
R63-25B2	63	25	65.2	55.466	9.525	2.6x2	181.7	14861	47040	118	110	200	172	22	147	76	59	13	20	13	20
R63-32A2	63	32	65.2	55.466	9.525	1.6x2	113.9	9629	28810	115	107	180	172	22	147	73	58	13	20	13	20
R70-32B1	70	32	71.8	63.688	7.938	2.6x1	99.2	6470	22020	125	119	150	178	22	152	85	62	13	20	13	20
R80-16B2	80	16	82.2	72.466	9.525	2.6x2	214.2	16483	61530	142	136	156	210	28	174	97	68	18	26	17.5	25
R80-16B3	80	16	82.2	72.466	9.525	2.6x3	315.9	23361	92300	142	136	204	210	28	174	97	68	18	26	17.5	25
R80-24B2	80	24	82.2	72.466	9.525	2.6x2	219	16483	61380	134	130	209	210	28	174	86	67	18	26	17.5	25
R80-32B2	80	32	82.2	72.466	9.525	2.6x2	222.5	16483	61180	142	137	250	210	28	174	98	68	18	26	17.5	25

Note: Rigidity without preload: The axial load is calculated by 30% of dynamic load.