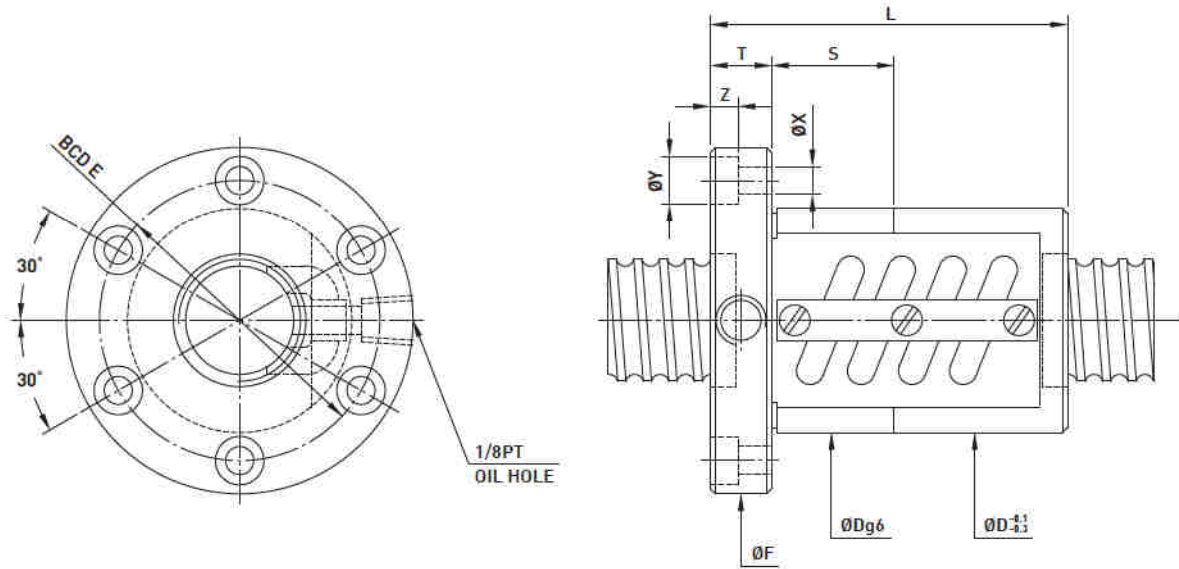


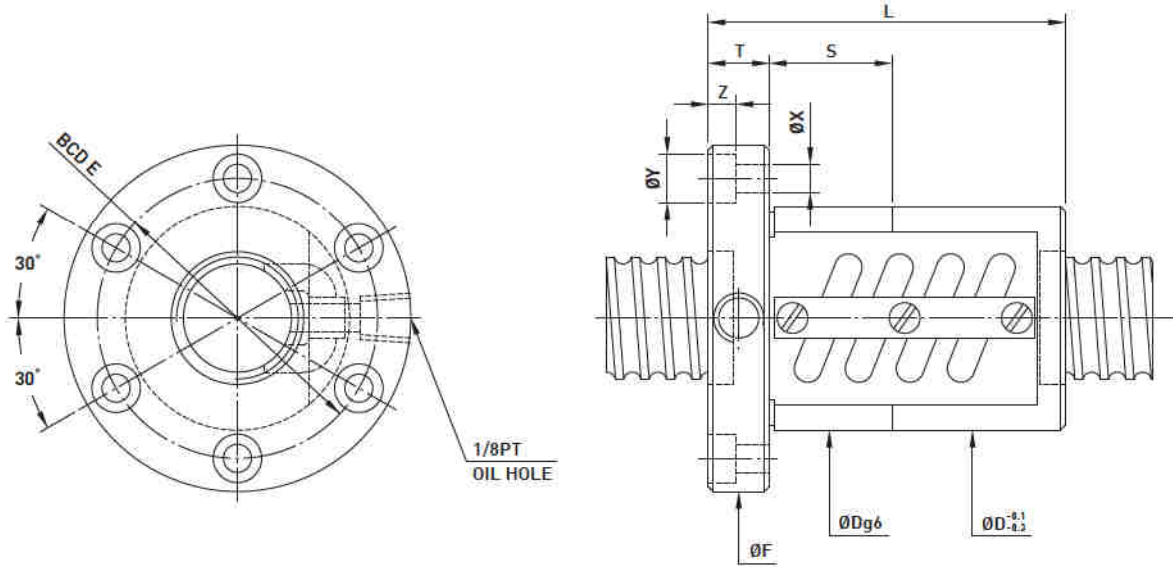
OFSW Type ◀ Standard Product



Model	Size		Ball Dia.	PCD	RD	Circuits	Stiffness K (kgf/μm)	Dynamic Load 1x10 ⁶ revs C (kgf)	Static Load Co (kgf)	Nut		Flange			Bolt				Fit
	Nominal Dia.	Lead								D	L	F	T	BCD-E	X	Y	Z	S	
16-5B1	16	5	3.175	16.6	13.324	2.5x1	32	763	1400	40	58	64	12	51	5.5	9.5	5.5	24	
16-5A1				16.6	13.324	1.5x1	20	482	820	40	50	64	12	51	5.5	9.5	5.5	24	
20-5B1	20	6	3.969	20.6	17.324	2.5x1	38	837	1733	44	60	68	12	55	5.5	9.5	5.5	24	
20-5A2				20.6	17.324	1.5x2	46	979	2079	44	70	68	12	55	5.5	9.5	5.5	24	
20-6B1	20	6	3.969	20.8	16.744	2.5x1	40	1139	2187	48	69	72	12	59	5.5	9.5	5.5	24	
25-4B1	25	4	2.381	25.25	22.792	2.5x1	38	544	1376	46	48	69	12	57	5.5	9.5	5.5	12	
25-4B2				25.25	22.792	2.5x2	74	988	2752	46	72	69	12	57	5.5	9.5	5.5	12	
25-5B1		5	3.175	25.6	22.324	2.5x1	46	939	2209	50	60	74	12	62	5.5	9.5	5.5	24	
25-5A2				25.6	22.324	1.5x2	48	1078	2594	50	70	74	12	62	5.5	9.5	5.5	24	
25-5C1		6	3.969	25.6	22.324	3.5x1	68	1252	3085	50	72	74	12	62	5.5	9.5	5.5	24	
25-6A2				25.8	21.744	1.5x2	56	1462	3249	56	82	82	12	69	6.6	11	6.5	24	
25-6C1	25.8	21.744	3.5x1	66	1690	3844	56	81	82	12	69	6.6	11	6.5	24				
25-10A1	10	4.763	26	21.132	1.5x1	29	1019	1927	60	81	86	16	73	6.6	11	6.5	24		
28-5B1	28	5	3.175	28.6	25.324	2.5x1	51	984	2466	55	60	85	12	69	6.6	11	6.5	24	
28-5B2				28.6	25.324	2.5x2	98	1785	4932	55	96	85	12	69	6.6	11	6.5	24	
28-6A2		28.6	25.324	1.5x2	59	1150	2960	55	80	85	12	69	6.6	11	6.5	24			
32-5B1	32	5	3.175	32.6	29.324	2.5x1	55	1039	2833	58	62	84	12	71	6.6	11	6.5	24	
32-5A2				32.6	29.324	1.5x2	65	1216	3400	58	70	84	12	71	6.6	11	6.5	24	
32-5C1		6	3.969	32.6	29.324	3.5x1	76	1388	3967	58	72	84	12	71	6.6	11	6.5	24	
32-6B1				32.8	28.744	2.5x1	57	1489	3510	62	70	88	12	75	6.6	11	6.5	24	
32-6A2		8	4.763	32.8	28.744	1.5x2	67	1633	4168	62	81	88	12	75	6.6	11	6.5	24	
32-6C1				32.8	28.744	3.5x1	78	1888	4936	62	83	88	12	75	6.6	11	6.5	24	
32-8B1	10	8	4.763	33	28.132	2.5x1	58	1810	4227	66	92	100	16	82	9	14	8.5	30	
32-8A2				33	28.132	1.5x2	69	2094	5009	66	106	100	16	82	9	14	8.5	30	
32-8C1		12	6.350	33	28.132	3.5x1	82	2428	5948	66	108	100	16	82	9	14	8.5	30	
32-10B1				33.4	26.91	2.5x1	58	2651	5600	74	110	108	16	90	9	14	8.5	30	
32-10A1	12	6.350	33.4	26.91	1.5x1	36	1673	3278	74	90	108	16	90	9	14	8.5	30		
32-12A1			33.4	26.91	1.5x1	37	1672	3278	74	97	108	18	90	9	14	8.5	15		
32-12B1	33.4	26.91	2.5x1	61	2650	5599	74	117	108	18	90	9	14	8.5	15				

Remark : Stiffness values listed above are derived from theoretical formula while preload is 10% of dynamic load rating.

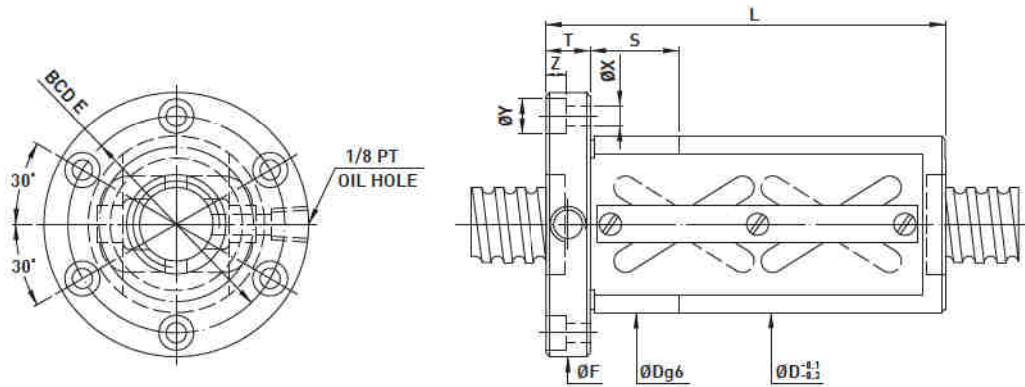
OFSW Type ◀ Standard Product



Model	Size		Ball Dia.	PCD	RD	Circuits	Stiffness K (kgf/µm)	Dynamic Load 1x10 ⁶ revs C (kgf)	Static Load Co (kgf)	Nut		Flange			Bolt			Fit
	Nominal Dia.	Lead								D	L	F	T	BCD-E	X	Y	Z	
36-6B1	36	6	3.175	36.6	33.324	2.5x1	62	1486	3969	65	68	100	12	82	6.6	11	6.5	24
36-6B2				36.6	33.324	2.5x2	121	2696	7937	65	103	100	12	82	6.6	11	6.5	24
36-10A1		10	6.350	37.4	30.91	1.5x1	40	1779	3718	75	90	120	18	98	11	17.5	11	30
36-16B1		16		37.4	30.91	2.5x1	67	2812	6334	74	136	114	18	90	9	14	8.5	15
40-5B1	40	5	3.175	40.6	37.324	2.5x1	65	1141	3567	68	65	102	16	84	9	14	8.5	30
40-5B2				40.6	37.324	2.5x2	132	2071	7134	68	95	102	16	84	9	14	8.5	30
40-6B2		6	3.969	40.8	36.744	2.5x2	136	2817	8855	70	109	104	16	86	9	14	8.5	30
40-8B1		8	4.763	41	36.132	2.5x1	69	2003	5302	74	90	108	16	90	9	14	8.5	30
40-8C1				41	36.132	3.5x1	96	2679	7438	74	108	108	16	90	9	14	8.5	30
40-10B1		10	6.350	41.4	34.91	2.5x1	72	2959	7069	84	110	125	18	104	11	17.5	11	30
40-10C1				41.4	34.91	3.5x1	102	3932	9841	84	132	125	18	104	11	17.5	11	30
40-12B1		12	7.144	41.6	34.299	2.5x1	72	3425	7837	86	117	128	18	106	11	17.5	11	40
40-16A1	16		41.6	34.299	1.5x1	46	2208	4703	86	117	128	18	106	11	17.5	11	40	
45-10B1	45	10	6.350	46.4	39.91	2.5x1	76	3111	7953	88	110	132	18	110	11	17.5	11	30
45-12B1		12	7.938	46.8	38.688	2.5x1	81	4202	9900	96	132	142	22	117	13	20	13	40
50-5A2	50	5	3.175	50.6	47.324	1.5x2	96	1447	5382	80	74	114	16	96	9	14	8.5	30
50-5A3				50.6	47.324	1.5x3	143	2051	8072	80	103	114	16	96	9	14	8.5	30
50-6B2		6	3.969	50.8	46.744	2.5x2	161	3093	11149	84	110	118	16	100	9	14	8.5	30
50-8B1		8	4.763	51	46.132	2.5x1	81	2206	6705	87	92	128	18	107	11	17.5	11	30
50-8B2				51	46.132	2.5x2	165	4004	13409	87	140	128	18	107	11	17.5	11	30
50-10B2		10	6.350	51.4	44.91	2.5x2	173	5923	17670	94	170	135	18	114	11	17.5	11	30
50-10C1				51.4	44.91	3.5x1	120	4393	12481	94	130	135	18	114	11	17.5	11	30
50-12B1		12	7.938	51.8	43.688	2.5x1	123	4420	11047	102	132	150	22	125	13	20	13	40
55-10C1	55	10	6.350	56.4	49.91	3.5x1	132	4562	13661	100	130	140	18	118	11	17.5	11	40
55-12B1		12	7.938	56.8	48.688	2.5x1	128	4624	12195	105	132	154	22	127	13	20	13	40
63-8A2	63	8	4.763	64	59.132	1.5x2	107	2826	10129	104	108	146	18	124	11	17.5	11	40
63-10B2		10	6.350	64.4	57.91	2.5x2	206	6533	22371	110	172	152	20	130	11	17.5	11	40
63-12B1		12	7.938	64.8	56.688	2.5x1	107	4927	14031	118	135	166	22	141	13	20	13	40
63-16B1		16		65.2	55.466	2.5x1	140	8189	23005	124	158	172	22	147	13	20	13	40
63-20A1		20	9.525	65.2	55.466	1.5x1	84	5306	13890	124	147	172	22	147	13	20	13	40
70-10B1		70	10	6.350	71.4	64.91	2.5x1	114	3770	12506	124	112	170	20	145	13	20	13
70-12B1	12		7.938	71.8	63.688	2.5x1	118	5169	15638	130	132	178	22	152	13	20	13	40

Remark : Stiffness values listed above are derived from theoretical formula while preload is 10% of dynamic load rating.

OFSW Type ◀ Standard Product



Model	Size		PCD	RD	Ball Dia.	Circuits	Stiffness K (kgf/μm)	Dynamic Load 1x10 ⁶ revs C (kgf)	Static Load Co (kgf)	Start type	D	L	F	T	BCD-E	X	Y	Z	S
	Nominal Dia.	Lead																	
36-20C1	36	20	37.4	30.91	6.35	3.5x1	62.2	3344	8223	2	94	121	136	18	114	11	17.5	11	30
40-20C1	40	20	41.4	34.91	6.35	3.5x1	68	3519	9182	2	96	121	138	18	116	11	17.5	11	30
40-20B2		20	41.4	34.91	6.35	2.5x2	95.7	4805	13191	2	96	161	138	18	116	11	17.5	11	30
45-20C1	45	20	46.4	39.91	6.35	3.5x1	76.1	3732	10413	2	98	122	140	18	118	11	17.5	11	30
45-20B2		20	46.4	39.91	6.35	2.5x2	106.8	5060	14839	2	98	162	140	18	118	11	17.5	11	30
45-25C1		25	46.6	39.299	7.144	3.5x1	75.7	4349	11622	2	101	141	143	18	121	11	17.5	11	30
50-20C1	50	20	51.4	44.91	6.35	3.5x1	81.7	3931	11645	2	101	122	143	18	121	11	17.5	11	40
50-20B2		20	51.4	44.91	6.35	2.5x2	114.6	5301	16486	2	101	162	143	18	121	11	17.5	11	40
50-25C1		25	51.6	44.299	7.144	3.5x1	82.1	4584	13008	2	103	141	145	18	123	11	17.5	11	40
50-30C1		30	51.6	44.299	7.144	3.5x1	84.2	4584	13008	2	103	160	145	18	123	11	17.5	11	40
55-20C1	55	20	56.4	49.91	6.35	3.5x1	88.9	4083	12746	2	103	122	145	18	123	11	17.5	11	40
55-20B2		20	56.4	49.91	6.35	2.5x2	124.9	5529	18133	2	103	162	145	18	123	11	17.5	11	40
55-25C1		25	56.6	49.299	7.144	3.5x1	90.7	4806	14393	2	105	141	147	18	125	11	17.5	11	40
55-30C1		30	56.6	49.299	7.144	3.5x1	90.6	4806	14393	2	105	160	147	18	125	11	17.5	11	40

Remark : Stiffness values listed above are derived from theoretical formula while preload is 10% of dynamic load rating.