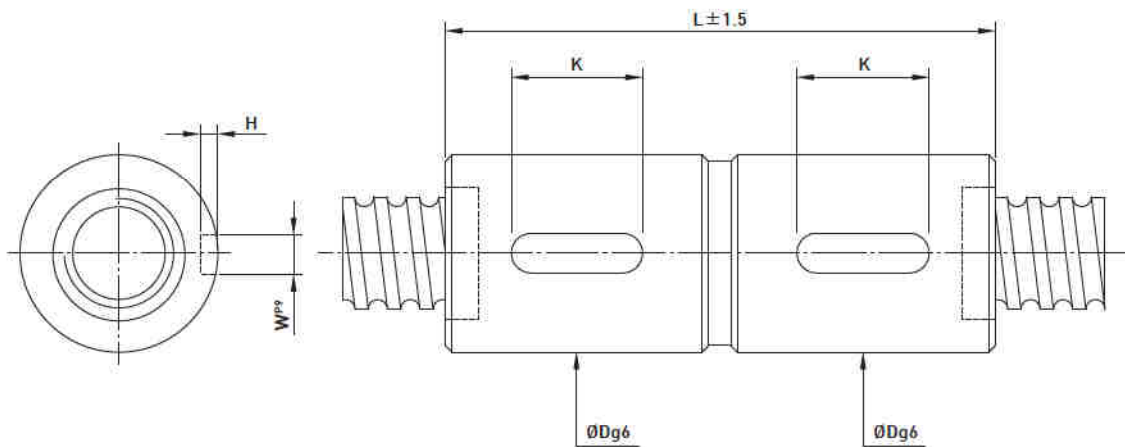


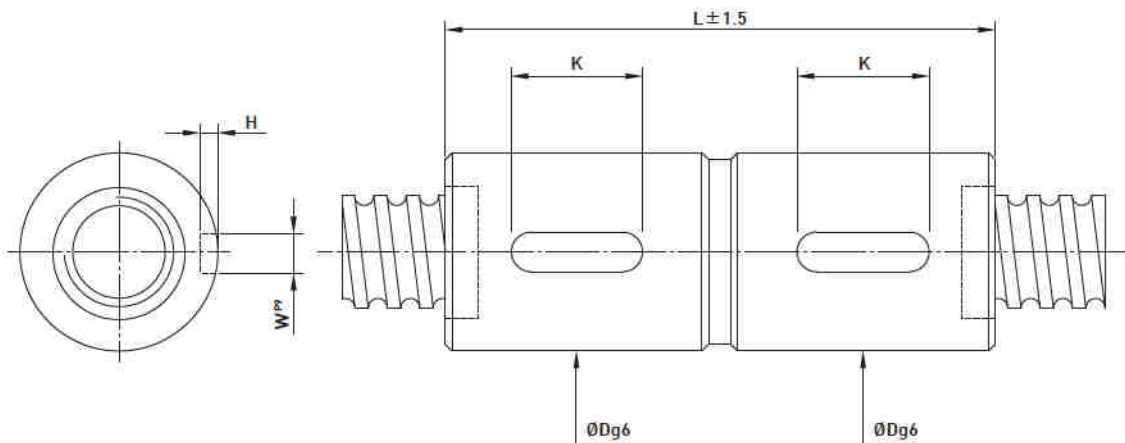
RDI Type ◀ Standard Product



Model	Size		Ball Dia.	PCD	RD	Circuits	Stiffness K (kgf/µm)	Dynamic Load 1x10 ⁶ revs C (kgf)	Static Load Co (kgf)	Nut		Keyway					
	Nominal Dia.	Lead								D	L	K	W	H			
16-5T3	16	5	3.175	16.6	13.324	3	20	731	1331	28	30	72	20	3	1.8		
16-5T4				16.6	13.324	4	23	936	1775	28	30	85	20	3	1.8		
20-5T3	20	5		20.6	17.324	3	39	852	1767	32	34	75	20	3	1.8		
20-5T4				20.6	17.324	4	54	1091	2356	32	34	85	20	3	1.8		
20-6T3		6	3.969	20.8	16.744	3	39	1091	2081	34	36	87	20	4	2.5		
20-6T4				20.8	16.744	4	54	1398	2774	34	36	103	25	4	2.5		
25-5T3	25	5		25.6	22.324	3	55	977	2314	37	40	75	20	4	2.5		
25-5T4				25.6	22.324	4	73	1252	3085	37	40	85	20	4	2.5		
25-6T3		6	3.969	25.8	21.744	3	56	1272	2762	38	42	87	20	4	2.5		
25-6T4				25.8	21.744	4	75	1628	3682	38	42	103	25	4	2.5		
32-5T3	32	5		3.175	32.6	29.324	3	64	1117	3081	44	48	75	20	4	2.5	
32-5T4					32.6	29.324	4	82	1431	4108	44	48	85	20	4	2.5	
32-5T6			32.6	29.324	6	121	2027	6162	44	48	105	25	4	2.5			
32-6T3			6	3.969	32.8	28.744	3	65	1446	3620	45	50	87	20	5	3	
32-6T4		32.8			28.744	4	84	1852	4826	45	50	103	25	5	3		
32-6T6		32.8			28.744	6	125	2625	7239	45	50	127	32	5	3		
32-8T3		8			4.763	33	28.132	3	68	1810	4227	47	52	109	25	5	3
32-8T4			33			28.132	4	82	2317	5635	47	52	127	25	5	3	
32-10T3	10		6.350			33.4	26.91	3	68	2539	5327	51	56	135	25	6	3.5
32-10T4						33.4	26.91	4	82	3252	7102	51	56	155	32	6	3.5
40-5T4	40	5				3.175	40.6	37.324	4	99	1599	5280	51	54	85	20	4
40-5T6				40.6			37.324	6	146	2265	7919	51	54	105	25	4	2.5
40-6T4		6	3.969	40.8			36.744	4	100	2136	6420	53	56	103	25	5	3
40-6T6				40.8			36.744	6	148	3028	9630	53	56	127	32	5	3
40-8T4				8	4.763	41	36.132	4	102	2728	7596	55	60	127	25	5	3
40-8T6						41	36.132	6	150	3866	11394	55	60	161	40	5	3
40-10T3		10		6.350		41.4	34.91	3	76	2959	7069	60	65	135	25	6	3.5
40-10T4						41.4	34.91	4	101	3789	9426	60	65	155	32	6	3.5

Remark : Stiffness values listed above are derived from theoretical formula while preload is 10% of dynamic load rating.

RDI Type ◀ Standard Product



Model	Size		Ball Dia.	PCD	RD	Circuits	Stiffness K (kgf/μm)	Dynamic Load 1x10 ⁴ revs C (kgf)	Static Load Co (kgf)	Nut			Keyway			
	Nominal Dia.	Lead								D	L	K	W	H		
50-5T4	50	5	3.175	50.6	47.324	4	121	1757	6745	62	65	85	20	4	2.5	
50-5T6				50.6	47.324	6	177	2490	10117	62	65	105	25	4	2.5	
50-6T4		6	3.969	50.8	46.744	4	123	2388	8250	64	68	103	25	5	3	
50-6T6				50.8	46.744	6	179	3384	12375	64	68	127	32	5	3	
50-8T4		8	4.763	51	46.132	4	122	2998	9578	65	70	127	32	5	3	
50-8T6				51	46.132	6	178	4249	14367	65	70	161	40	5	3	
50-10T3		10	6.350	51.4	44.91	3	95	3397	9256	69	74	135	32	6	3.5	
50-10T4				51.4	44.91	4	124	4350	12341	69	74	155	32	6	3.5	
50-10T6				51.4	44.91	6	184	6165	18511	69	74	197	40	6	3.5	
50-12T3				12	7.938	51.8	43.688	3	94	4420	11047	73	78	161	40	6
50-12T4	51.8	43.688	4			124	5660	14730	73	78	185	40	6	3.5		
63-6T4	63	6	3.969	63.8	59.744	4	148	2614	10542	78	80	106	25	6	3.5	
63-6T6				63.8	59.744	6	220	3704	15813	78	80	130	32	6	3.5	
63-8T4		8	4.763	64	59.132	4	152	3395	12541	79	82	131	32	6	3.5	
63-8T6				64	59.132	6	222	4812	18811	79	82	165	40	6	3.5	
63-10T4		10	6.350	64.4	57.91	4	158	4860	15858	82	88	160	32	8	4	
63-10T6				64.4	57.91	6	228	6887	23786	82	88	202	40	8	4	
63-12T4		12	7.938	64.8	56.688	4	152	6479	19293	86	92	185	40	8	4	
63-12T6				64.8	56.688	6	224	9182	28939	86	92	238	50	8	4	
63-20T4	20	9.525	65.2	55.466	4	189	10657	31251	90	95	260	50	8	4		
80-10T4	80	10	6.350	81.4	74.91	4	190	5559	21118	99	105	160	32	8	4	
80-10T6				81.4	74.91	6	277	7879	31677	99	105	202	40	8	4	
80-12T4		12	7.938	81.8	73.688	4	192	7430	25681	103	110	185	40	8	4	
80-12T6				81.8	73.688	6	280	10530	38521	103	110	238	50	8	4	
80-16T3		16	9.525	82.2	72.466	3	188	9663	31622	108	115	200	40	10	5	
80-16T4				82.2	72.466	4	254	12375	42162	108	115	236	50	10	5	
80-20T3				20	82.2	72.466	3	189	9663	31622	108	115	245	50	10	5
80-20T4					82.2	72.466	4	248	12375	42162	108	115	289	63	10	5
100-12T4	100	12	7.938	101.8	93.688	4	206	8306	33001	123	130	185	40	8	4	
100-12T6				101.8	93.688	6	343	11772	49502	123	130	238	50	8	4	
100-16T4		16	9.525	102.2	92.466	4	212	13569	53161	125	135	236	50	10	5	
100-16T6				102.2	92.466	6	276	19230	79741	125	135	310	63	10	5	
100-20T4	20	102.2	92.466	4	300	13569	53161	125	135	289	63	10	5			

Remark : Stiffness values listed above are derived from theoretical formula while preload is 10% of dynamic load rating.