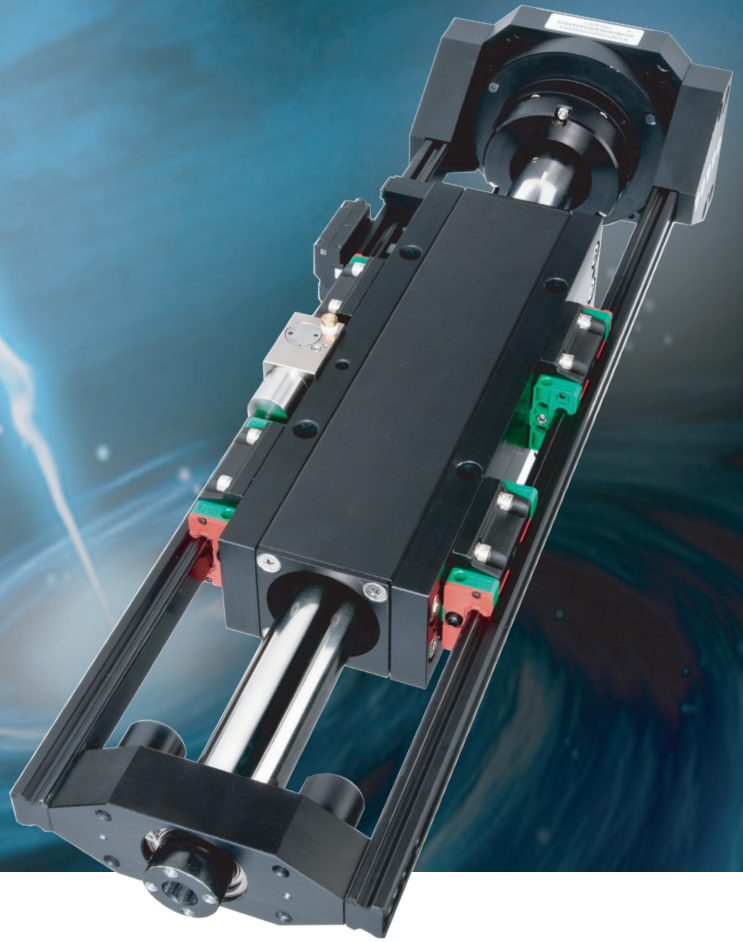


HELIX

HELIX is the only robot in semiconductor nano position which combines linear and rotary motors into one compact system.



Innovation

HELIX consists of shaft motor, torque motor and driver. It possess features such as High performance, Eco-efficiency, reLliability, fleXible.

HELIX's features:

High performance : HELIX performs strong and fast motion under same driving center with 2 independent motors to achieve 50nm positioning capability.

Eco-efficiency : Up to 98% more transmission efficiency and 50% of power saving with combination of direct drive motors and high efficient driver.

reLiability : The combination of linear and rotary motors insures excellent reliability and superior quality service.

fleXible : Hiwin Mikrosystem Corp. shows high flexibility, competitiveness and value through creating innovative service for customers.

Human factors design

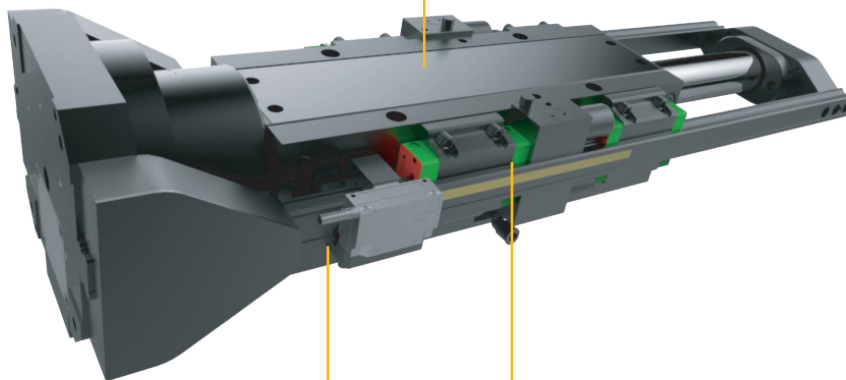
With the combination of direct drive and efficient driver, the design of HELIX realizes the simplicity of mechanical components and also the reliability of assembly. HELIX is driven by D1-N driver, which is certificated with Function safety and CE certification. High speed and stable internet communication can be achieved through EtherCAT communication module.



Green energy

HELIX raises up to 98% more transmission efficiency and is able to save up to 50% of power with features of wear free and high efficient direct motor. It lowers 12% in total height compared to previous system. Lifetime of HELIX core components are twice longer than ballscrew. It greatly reduces waste of replacing components.

98% more transmission efficiency



Power saving + 50%

12% less in height

