

# Foot pedal valve ( 3/2way )

3F、3FM Series

## Specification

Model	3FM210-M5	3F210-06	3FM210-06	3F210-08	3FM210-08
Fluid	Air (to be filtered by 40μm filter element)				
Operating	Acting type controlled by foot normally closed				
Port size ①	M5	1/8"	1/8"	1/4"	1/4"
Valve type	3 port 2 position				
Pressure range	0 ~ 0.8MPa(0~114Psi)				
Proof pressure	1.5 MPa(215Psi)				
Temperature °C	-20~70				
Material of body	3FM:Plastic; 3F:Aluminum alloy				
Lubrication	Not required				

① PT thread, NPT thread and G thread are available.

## Ordering code

**3F210      08      —      L      —      P**

**Model**

3FM210: 3/2way foot pedal valve(mini type)

3F210: 3/2 way foot pedal valve

**Port size**

M5: M5

06: 1/8"

08: 1/4"

**Note** ②

Blank: Without lock

L: With lock

**Thread type**

P: PT

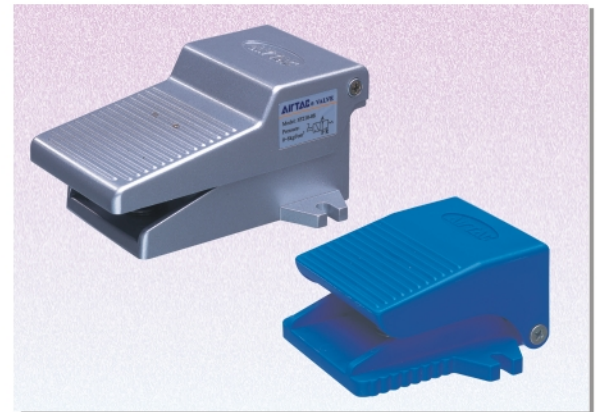
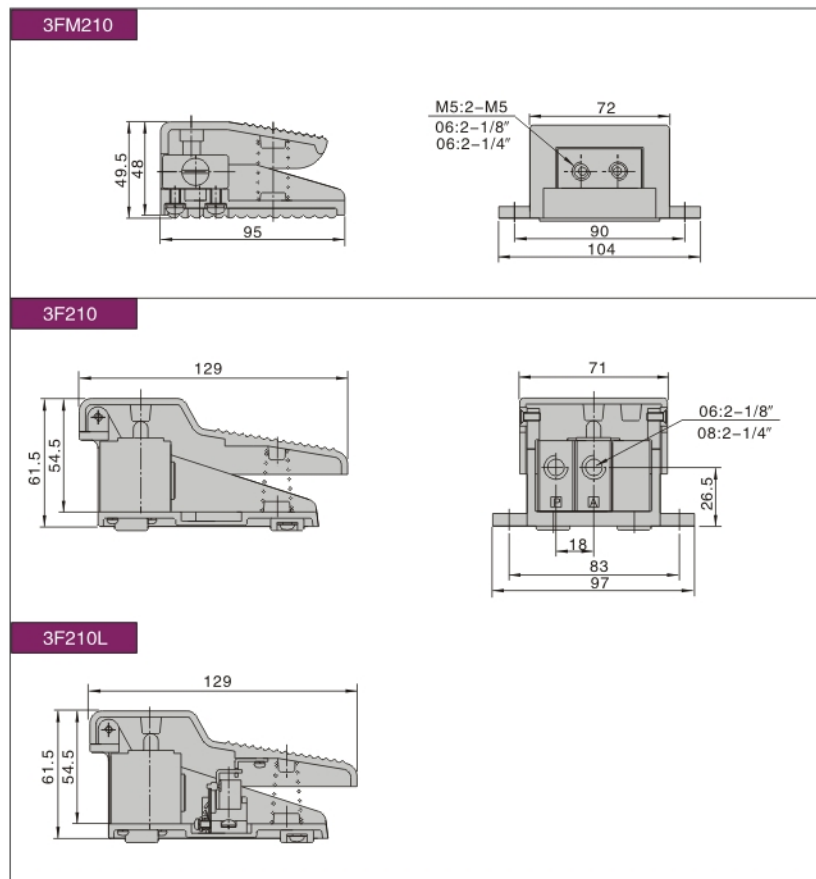
T: NPT

G: G

①When the thread is M5 type, the code is blank.

②3FM210 does not have the type with lock.

## Dimensions



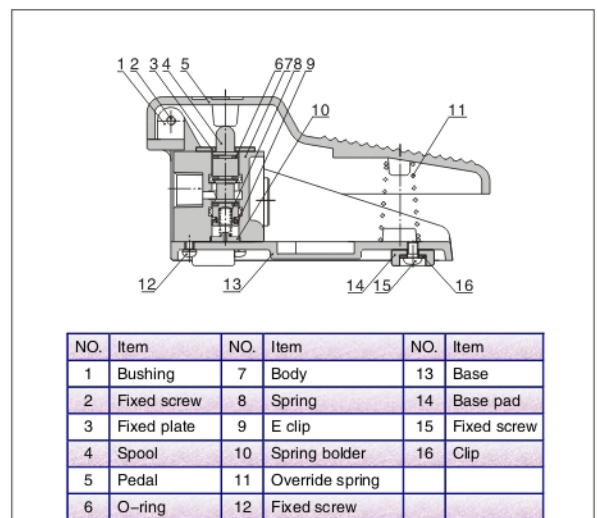
## Symbol



## Product feature

- 1、 Direct acting and normally closed type;
- 2、 The 3F series has aluminum foot pedal and 3FM series has plastic foot pedal, in direct acting type, horizontal and compact structure;
- 3、 If the duration of direction-change is long, the valves with lock may be selected;
- 4、 The clamping framework is steady and reliable that it is easy and quick to unlock. However, with the limitation of the dimension of structure, it can not bear frequent strong impact.

## Inner structure



**Note:** ⚠

Note: Lockable type should be added grease periodically to ensure the machine can work regularly