

Control valve(3/2 way)

AIRTAC

ZM3 Series

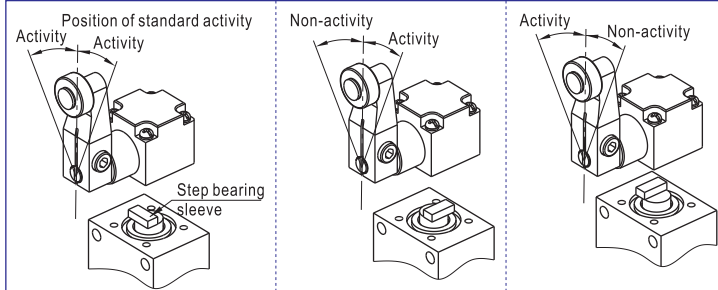


Symbol

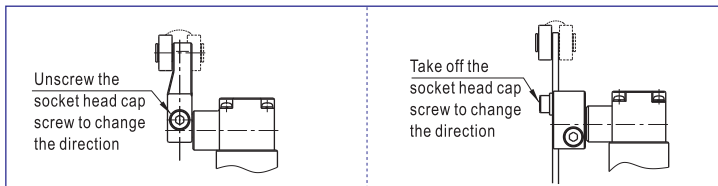


Product feature

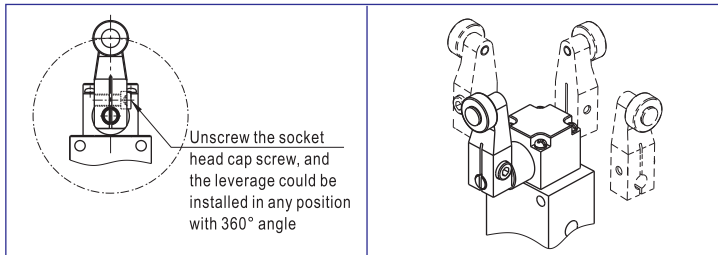
1. The activity direction could be changed(Only adapt to standard type, large angle type unavailable)



2. The rolling wheel could be installed at the inside of leverage

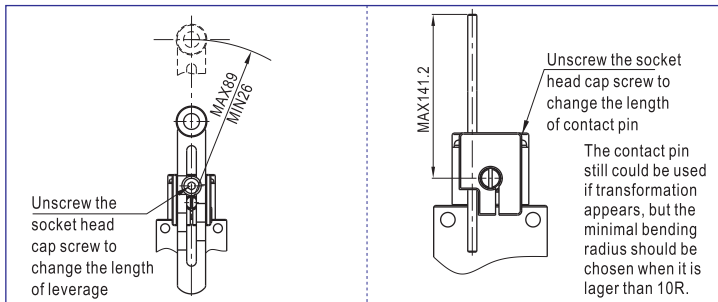


3. Installation position of leverage could be changed



4. Direction of head part could be changed

5. Length of contact pin could be changed



Specification

Model	ZM3R	ZM3J	ZM3P
Operating	External control direct acting type		
Fluid	Air (to be filtered by 40 μm filter element)		
Pressure range	-0.1~1.0MPa(-1~10bar)(-15~114psi)		
Proof pressure	1.5MPa(15bar)(215psi)		
Temperature	-20~70 °C		
Valve type	3/2 Way		
Orifice size	6.0mm ² (Cv=0.34)		
Port size ^①	1/8"		
Lubrication ^②	Not required		
Material body	Aluminum alloy		

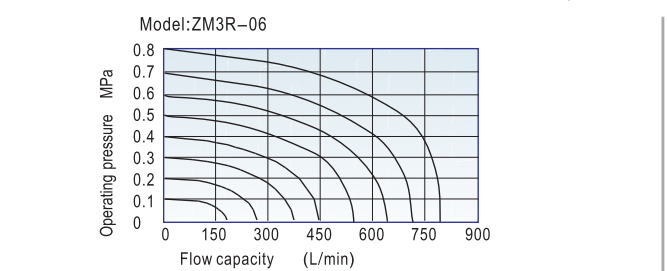
- ① PT thread, NPT thread and G thread are available.
- ② Once lubricated air is used, continue with same medium to optimise valve life span. It is suggested to use ISO VG32 lubricant or the oil with the same grade.

Ordering code

ZM3 R 06 W P

- Valve's type**
 - ZM3: ZM type 3/2 Way
- Model**
 - R: Roller type
 - J: Adjustable roller type
 - P: Contact pin adjustable roller type
- Thread type**
 - P: PT
 - T: NPT
 - G: G
- Port size**
 - 06: 1/8"
- Extreme angle of opening and closing of control head**
 - Blank: Standard type
 - W: Large angle type

Flow chart



Inner structure

No.	Item
1	Bottom cover
2	O-ring
3	Spring
4	Spacer
5	Spool
6	Body
7	O-ring
8	Spring washer
9	Spring
10	Man drill
11	O-ring
12	Bushing
13	Spring holder
14	Spring
15	Screw
16	Front cover
17	Bushing
18	Shaft
19	Roller
20	Rocker arm
21	Screw
22	Rotation axis
23	O-ring



Control valve(3/2 way)



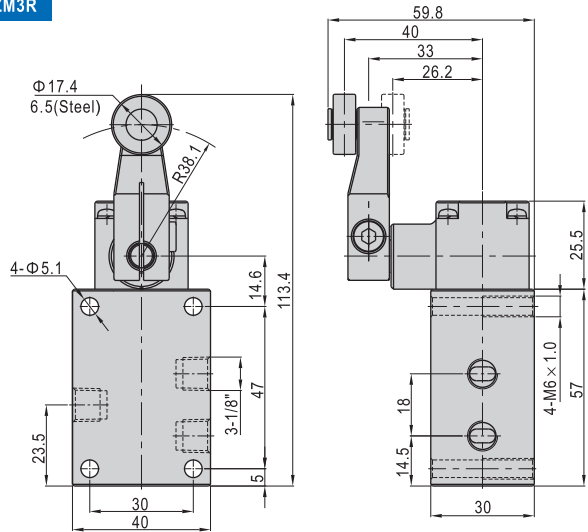
ZM3 Series

Dimensions

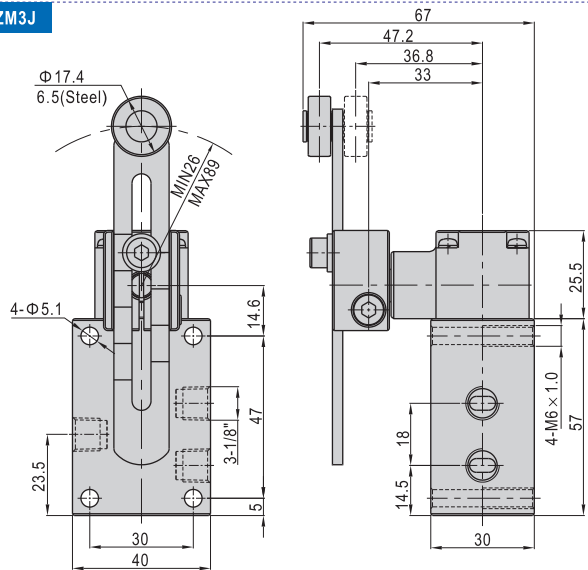


ZM3

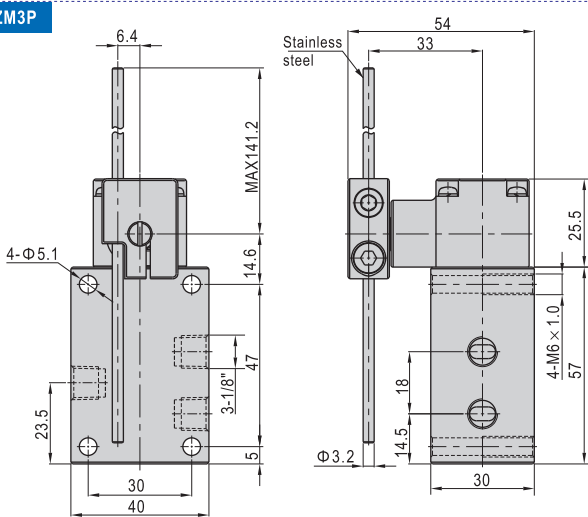
ZM3R



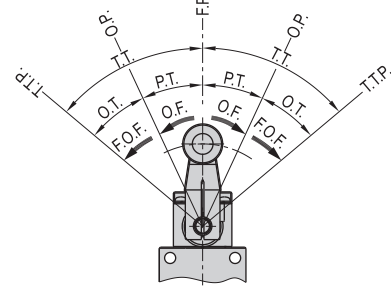
ZM3J



ZM3P



Description of symbol



- F.P. Free position: the position of control head when no external force applied;
- O.P. Activity position: the position when the control head is applied with external force and the valve is switched;
- T.T.P. Extreme position of actuation: position of control head when it is pushed until end position;
- O.F. Actuation power: when driving from free position to actuation position, the operation power applied on control head;
- F.O.F. Extreme actuation power: when driving from free position to extreme actuation position, the operation power applied on control head;
- P.T. Free route: movement distance or rotation angle from free position of control head to actuation position;
- O.T. Actuation route: movement distance or rotation angle from actuation position of control head to extreme actuation position;
- T.T. Total route: movement distance or rotation angle from free position of control head to extreme actuation position;

