



Construction

Single-stage end-suction centrifugal pumps, with bearing bracket.

Nominal duty points and main dimensions in accordance with EN 733.

Back Pull-Out construction, for simple and quick dismantling and reassembly.

N, N4: version with pump casing and lantern bracket in cast iron.
B-N, B-N4: version with pump casing and lantern bracket in bronze.
(the pumps are supplied fully painted).

Rated speed of rotation (50 Hz): **N** = 2900 rpm.
N4 = 1450 rpm.

Connections: PN 10 flanges EN 1092-2.

Counter-flanges (on request)

Sizes	Flanges
from 32-160 to 50-250	Screwed flanges PN 16 EN 1092-1
from 65-125 to 150-400	Flanges for welding PN 10 EN 1092-1

Shaft sealing

- Standardized mechanical seal in accordance with ISO 3069.
- Stuffing box seal (on request).

Applications

- For clean liquids, without abrasives, which are non-aggressive for the pump materials (contents of solids up to 0.2%).
- For water supply.
- For heating, air conditioning, cooling and circulation plants.
- For civil and industrial applications and for agriculture.
- For fire fighting applications.
- For irrigation.

Operating conditions

Liquid temperature from -10 °C to +90 °C.

Ambient temperature up to 40 °C.

Total suction lift up to 7 m.

Maximum permissible working pressure up to 10 bar.

Maximum permissible rotation speed: see table on page 52.

Pump-Motor unit

N,N4 pump connected to a standard electric motor in B3 construction form (EN 60072-1), IP 55 protection, three-phase 400 V, 50 Hz by means of a baseplate, driven by a flexible coupling and with coupling protection.

Special features on request

- Special mechanical seal.
- Chrome-nickel steel AISI 316 pump-shaft.
- Higher or lower liquid or ambient temperatures.
- Other motor protection.
- Explosion proof construction in accordance with Directive 94/9 EEC (ATEX).
- Motor for other voltage.
- Frequency 60 Hz (as per 60 Hz data sheet).

Materials

Components	N, N4 Mechanical seal	N, N4 Stuffing box	B-N, B-N4 Mechanical seal
Pump casing Lantern bracket	Cast iron GJL 200 EN 1561		Bronze G-Cu Sn 10 EN 1982
Impeller	Cast iron GJL 200 EN 1561		Bronze G-Cu Sn 10 EN 1982
	Brass P- Cu Zn 40 Pb 2 UNI 5705 For 32-125, 32-160, 32-200, 40-200		
Shaft	Chrome steel 1.4104 EN 10088 (AISI 430)	Carbon steel C 40 UNI 7845	Cr-Ni-Mo steel 1.4401 EN 10088 (AISI 316)
Shaft sleeve	–	Bronze G-Cu Sn5 Zn5 Pb5 EN 1982 with chromate surface	–
Mechanical seal	Carbon - Ceramic - NBR	–	Carbon - Ceramic - NBR
Counter-flanges	Steel Fe 430B UNI 7070		

Performance n = 2900 rpm

4

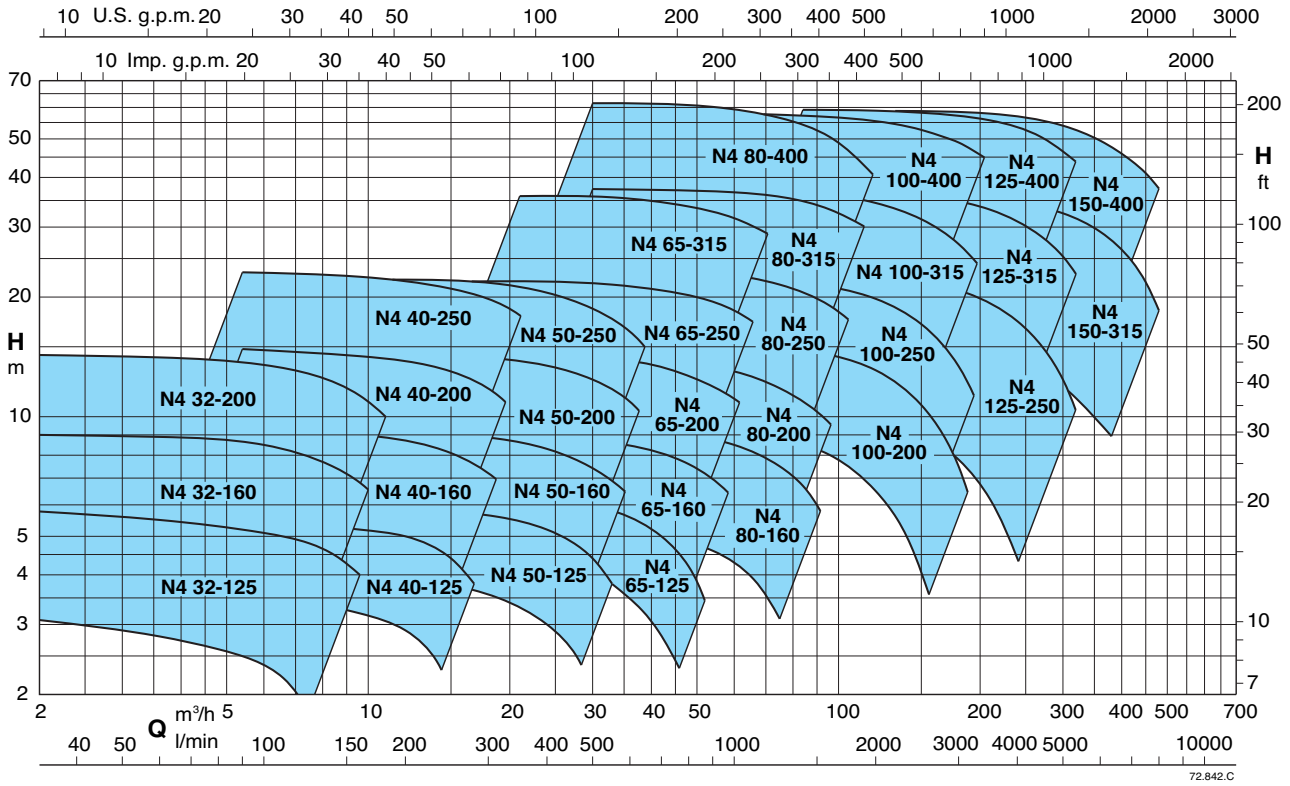
PUMP B-N	PUMP N	MOTOR	P ₂ kW	H m																															
				Q m³/h		30		33		37,8		42		48		54		60		66		69		72		75		78		81		84		96	
				Q l/min		500		550		630		700		800		900		1000		1100		1150		1200		1250		1300		1350		1400		1600	
B-N 50-125F/A	N 50-125F/A	90 L2	2,2																																
B-N 50-125D/A	N 50-125D/A	100 L2	3																																
B-N 50-125A/A	N 50-125A/A	112 M2	4																																
B-N 50-125S/A	N 50-125S/A	112 M2 132 SA2	4 5,5																																
B-N 50-160B/A	N 50-160B/A	132 SA2	5,5																																
B-N 50-160A/A	N 50-160A/A	132 SB2	7,5																																
B-N 50-200B/A	N 50-200B/A	132 MA2	9,2																																
B-N 50-200A/A	N 50-200A/A	160 MA2	11																																
B-N 50-200S/A	N 50-200S/A	160 MB2	15																																
B-N 50-250C/A	N 50-250C/A	160 MA2	11																																
B-N 50-250B/A	N 50-250B/A	160 MB2	15																																
B-N 50-250A/A	N 50-250A/A	160 L2	18,5																																
B-N 50-250S/A	N 50-250S/A	180 M2	22																																
B-N 50M/E/A	N 50M/E/A	160 MA2	11																																
B-N 50M/D/A	N 50M/D/A	160 MB2	15																																
B-N 50M/C/A	N 50M/C/A	160 L2	18,5																																

PUMP B-N	PUMP N	MOTOR	P ₂ kW	H m																															
				Q m³/h		30		33		37,8		42		48		54		60		66		72		84		96		108		120		132		150	
				Q l/min		500		550		630		700		800		900		1000		1100		1200		1400		1600		1800		2000		2200		2500	
B-N 65-125E/A	N 65-125E/A	112 M2	4																																
B-N 65-125C/A	N 65-125C/A	132 SA2	5,5																																
B-N 65-125A/A	N 65-125A/A	132 SB2	7,5																																
B-N 65-160E/A	N 65-160E/A	132 SA2	5,5																																
B-N 65-160D/A	N 65-160D/A	132 SB2	7,5																																
B-N 65-160C/A	N 65-160C/A	132 MA2	9,2																																
B-N 65-160B/A	N 65-160B/A	160 MA2	11																																
B-N 65-160A/A	N 65-160A/A	160 MB2	15																																
B-N 65-200C/A	N 65-200C/A	160 MB2	15																																
B-N 65-200B/A	N 65-200B/A	160 L2	18,5																																
B-N 65-200A/A	N 65-200A/A	180 M2	22																																
B-N 65-250C	N 65-250C	180 M2	22																																
B-N 65-250B	N 65-250B	200 LA2	30																																
B-N 65-250A	N 65-250A	200 LB2	37																																

PUMP B-N	PUMP N	MOTOR	P ₂ kW	H m																																	
				Q m³/h		60		66		75		84		96		108		120		132		150		168		180		192		210		240		270		300	
				Q l/min		1000		1100		1250		1400		1600		1800		2000		2200		2500		2800		3000		3200		3500		4000		4500		5000	
B-N 80-160E/A	N 80-160E/A	132 SB2 132 MA2	7,5 9,2																																		
B-N 80-160D/A	N 80-160D/A	132 MA2	9,2																																		
B-N 80-160C/A	N 80-160C/A	160 MA2	11																																		
B-N 80-160B/A	N 80-160B/A	160 MB2	15																																		
B-N 80-160A/A	N 80-160A/A	160 L2	18,5																																		
B-N 80-200B	N 80-200B	180 M2	22																																		
B-N 80-200A	N 80-200A	200 LA2	30																																		
B-N 80-250E	N 80-250E	180 M2	22																																		
B-N 80-250D	N 80-250D	200 LA2	30																																		
B-N 80-250C	N 80-250C	200 LB2	37																																		
B-N 80-250B	N 80-250B	225 M2	45																																		
B-N 80-250A	N 80-250A	250 M2	55																																		
B-N 100-200E	N 100-200E	160 L2	18,5																																		
B-N 100-200D	N 100-200D	180 M2	22																																		
B-N 100-200C	N 100-200C	200 LA2	30																																		
B-N 100-200B	N 100-200B	200 LB2	37																																		
B-N 100-200A	N 100-200A	225 M2	45																																		
B-N 100-250B	N 100-250B	250 M2	55																																		
B-N 100-250A	N 100-250A	280 S2	75																																		

N Standard construction. P₂ Rated motor power output. H Total head in m. * Maximum suction lift 1-2 m. ° Minimum positive suction head 1 m.
B-N Bronze construction. P₃ Pump power input.

Coverage chart n = 1450 rpm



72.842.C

Tolerances according to ISO 9906, annex A.

Performance n = 1450 rpm

PUMP	PUMP	MOTOR	P ₂ kW	Q																																																																																																																																																																																																																																																																																						
				m ³ /h	2,4	3	3,6	4,2	4,8	5,4	6	6,6	7,5	8,4	9,6	10,8	12	13,2																																																																																																																																																																																																																																																																								
				Q l/min																																																																																																																																																																																																																																																																																						
				40	50	60	70	80	90	100	110	125	140	160	180	200	220																																																																																																																																																																																																																																																																									
B-N4 32-125F/A	N4 32-125F/A	71 A4	0,25	<table border="1"> <tr> <td rowspan="8">H m</td> <td>3</td> <td>2,9</td> <td>2,8</td> <td>2,7</td> <td>2,6</td> <td>2,5</td> <td>2,4</td> <td>2,2</td> <td>1,8</td> <td>1,5</td> <td></td> <td></td> <td></td> <td></td> <td></td> <td></td> <td></td> </tr> <tr> <td>0,04</td> <td>0,047</td> <td>0,051</td> <td>0,055</td> <td>0,059</td> <td>0,063</td> <td>0,067</td> <td>0,07</td> <td>0,075</td> <td>0,08</td> <td></td> <td></td> <td></td> <td></td> <td></td> <td></td> <td></td> </tr> <tr> <td>4,6</td> <td>4,5</td> <td>4,4</td> <td>4,3</td> <td>4,2</td> <td>4,1</td> <td>4</td> <td>3,8</td> <td>3,5</td> <td>3,2</td> <td>2,6</td> <td>2</td> <td></td> <td></td> <td></td> <td></td> <td></td> </tr> <tr> <td>0,07</td> <td>0,075</td> <td>0,08</td> <td>0,085</td> <td>0,09</td> <td>0,095</td> <td>0,1</td> <td>0,105</td> <td>0,115</td> <td>0,12</td> <td>0,13</td> <td>0,13</td> <td></td> <td></td> <td></td> <td></td> <td></td> </tr> <tr> <td>5,7</td> <td>5,6</td> <td>5,5</td> <td>5,4</td> <td>5,3</td> <td>5,2</td> <td>5,1</td> <td>5</td> <td>4,8</td> <td>4,5</td> <td>4</td> <td>3,3</td> <td></td> <td></td> <td></td> <td></td> <td></td> </tr> <tr> <td>0,09</td> <td>0,1</td> <td>0,11</td> <td>0,115</td> <td>0,12</td> <td>0,125</td> <td>0,13</td> <td>0,135</td> <td>0,145</td> <td>0,15</td> <td>0,16</td> <td>0,17</td> <td></td> <td></td> <td></td> <td></td> <td></td> </tr> <tr> <td>7,6</td> <td>7,5</td> <td>7,4</td> <td>7,3</td> <td>7,2</td> <td>7,1</td> <td>6,9</td> <td>6,7</td> <td>6,3</td> <td>5,9</td> <td>5,2</td> <td>4,2</td> <td></td> <td></td> <td></td> <td></td> <td></td> </tr> <tr> <td>0,13</td> <td>0,14</td> <td>0,15</td> <td>0,16</td> <td>0,17</td> <td>0,18</td> <td>0,19</td> <td>0,2</td> <td>0,21</td> <td>0,215</td> <td>0,23</td> <td>0,235</td> <td></td> <td></td> <td></td> <td></td> <td></td> </tr> <tr> <td></td> <td></td> <td></td> <td></td> <td></td> <td></td> <td></td> <td></td> <td></td> <td></td> <td></td> <td></td> <td></td> <td></td> <td></td> <td></td> <td></td> <td></td> </tr> <tr> <td>B-N4 32-160B/A</td> <td>N4 32-160B/A</td> <td>71 B4</td> <td>0,37</td> <td>9</td> <td>8,95</td> <td>8,9</td> <td>8,8</td> <td>8,7</td> <td>8,6</td> <td>8,5</td> <td>8,3</td> <td>7,9</td> <td>7,5</td> <td>6,8</td> <td>6</td> <td>5,1*</td> <td></td> </tr> <tr> <td></td> <td></td> <td></td> <td></td> <td>0,17</td> <td>0,18</td> <td>0,19</td> <td>0,2</td> <td>0,21</td> <td>0,22</td> <td>0,23</td> <td>0,24</td> <td>0,26</td> <td>0,275</td> <td>0,29</td> <td>0,305</td> <td>0,315</td> <td></td> </tr> <tr> <td>B-N4 32-200B/A</td> <td>N4 32-200B/A</td> <td>80 A4</td> <td>0,55</td> <td>12,5</td> <td>12,4</td> <td>12,3</td> <td>12,2</td> <td>12</td> <td>11,8</td> <td>11,6</td> <td>11,2</td> <td>10,6</td> <td>10</td> <td>8,9</td> <td>7,6</td> <td>6,2*</td> <td>4,7*</td> </tr> <tr> <td></td> <td></td> <td></td> <td></td> <td>0,28</td> <td>0,3</td> <td>0,315</td> <td>0,33</td> <td>0,345</td> <td>0,36</td> <td>0,375</td> <td>0,39</td> <td>0,41</td> <td>0,43</td> <td>0,455</td> <td>0,48</td> <td>0,5</td> <td>0,515</td> </tr> <tr> <td>B-N4 32-200A/A</td> <td>N4 32-200A/A</td> <td>80 B4</td> <td>0,75</td> <td>14,3</td> <td>14,2</td> <td>14,1</td> <td>14</td> <td>13,9</td> <td>13,7</td> <td>13,5</td> <td>13,3</td> <td>12,9</td> <td>12,3</td> <td>11,3</td> <td>10,2</td> <td>8,9*</td> <td>7,5*</td> </tr> <tr> <td></td> <td></td> <td></td> <td></td> <td>0,35</td> <td>0,375</td> <td>0,4</td> <td>0,42</td> <td>0,44</td> <td>0,46</td> <td>0,48</td> <td>0,5</td> <td>0,525</td> <td>0,55</td> <td>0,585</td> <td>0,61</td> <td>0,635</td> <td>0,655</td> </tr> </table>																H m	3	2,9	2,8	2,7	2,6	2,5	2,4	2,2	1,8	1,5								0,04	0,047	0,051	0,055	0,059	0,063	0,067	0,07	0,075	0,08								4,6	4,5	4,4	4,3	4,2	4,1	4	3,8	3,5	3,2	2,6	2						0,07	0,075	0,08	0,085	0,09	0,095	0,1	0,105	0,115	0,12	0,13	0,13						5,7	5,6	5,5	5,4	5,3	5,2	5,1	5	4,8	4,5	4	3,3						0,09	0,1	0,11	0,115	0,12	0,125	0,13	0,135	0,145	0,15	0,16	0,17						7,6	7,5	7,4	7,3	7,2	7,1	6,9	6,7	6,3	5,9	5,2	4,2						0,13	0,14	0,15	0,16	0,17	0,18	0,19	0,2	0,21	0,215	0,23	0,235																								B-N4 32-160B/A	N4 32-160B/A	71 B4	0,37	9	8,95	8,9	8,8	8,7	8,6	8,5	8,3	7,9	7,5	6,8	6	5,1*						0,17	0,18	0,19	0,2	0,21	0,22	0,23	0,24	0,26	0,275	0,29	0,305	0,315		B-N4 32-200B/A	N4 32-200B/A	80 A4	0,55	12,5	12,4	12,3	12,2	12	11,8	11,6	11,2	10,6	10	8,9	7,6	6,2*	4,7*					0,28	0,3	0,315	0,33	0,345	0,36	0,375	0,39	0,41	0,43	0,455	0,48	0,5	0,515	B-N4 32-200A/A	N4 32-200A/A	80 B4	0,75	14,3	14,2	14,1	14	13,9	13,7	13,5	13,3	12,9	12,3	11,3	10,2	8,9*	7,5*					0,35	0,375	0,4	0,42	0,44	0,46	0,48	0,5	0,525	0,55	0,585	0,61	0,635	0,655
H m	3	2,9	2,8																		2,7	2,6	2,5	2,4	2,2	1,8	1,5																																																																																																																																																																																																																																																															
	0,04	0,047	0,051																		0,055	0,059	0,063	0,067	0,07	0,075	0,08																																																																																																																																																																																																																																																															
	4,6	4,5	4,4																		4,3	4,2	4,1	4	3,8	3,5	3,2	2,6	2																																																																																																																																																																																																																																																													
	0,07	0,075	0,08																		0,085	0,09	0,095	0,1	0,105	0,115	0,12	0,13	0,13																																																																																																																																																																																																																																																													
	5,7	5,6	5,5																		5,4	5,3	5,2	5,1	5	4,8	4,5	4	3,3																																																																																																																																																																																																																																																													
	0,09	0,1	0,11																		0,115	0,12	0,125	0,13	0,135	0,145	0,15	0,16	0,17																																																																																																																																																																																																																																																													
	7,6	7,5	7,4																		7,3	7,2	7,1	6,9	6,7	6,3	5,9	5,2	4,2																																																																																																																																																																																																																																																													
	0,13	0,14	0,15	0,16	0,17	0,18	0,19	0,2	0,21	0,215	0,23	0,235																																																																																																																																																																																																																																																																														
B-N4 32-160B/A	N4 32-160B/A	71 B4	0,37	9	8,95	8,9	8,8	8,7	8,6	8,5	8,3	7,9	7,5	6,8	6	5,1*																																																																																																																																																																																																																																																																										
				0,17	0,18	0,19	0,2	0,21	0,22	0,23	0,24	0,26	0,275	0,29	0,305	0,315																																																																																																																																																																																																																																																																										
B-N4 32-200B/A	N4 32-200B/A	80 A4	0,55	12,5	12,4	12,3	12,2	12	11,8	11,6	11,2	10,6	10	8,9	7,6	6,2*	4,7*																																																																																																																																																																																																																																																																									
				0,28	0,3	0,315	0,33	0,345	0,36	0,375	0,39	0,41	0,43	0,455	0,48	0,5	0,515																																																																																																																																																																																																																																																																									
B-N4 32-200A/A	N4 32-200A/A	80 B4	0,75	14,3	14,2	14,1	14	13,9	13,7	13,5	13,3	12,9	12,3	11,3	10,2	8,9*	7,5*																																																																																																																																																																																																																																																																									
				0,35	0,375	0,4	0,42	0,44	0,46	0,48	0,5	0,525	0,55	0,585	0,61	0,635	0,655																																																																																																																																																																																																																																																																									

PUMP	PUMP	MOTOR	P ₂ kW	Q																																																																																																																																																																																																																																																																																																																																																																																																										
				m ³ /h	5,4	6	6,6	7,5	8,4	9,6	10,8	12	13,2	15	16,8	18,9	21	24	27	30																																																																																																																																																																																																																																																																																																																																																																																										
				Q l/min																																																																																																																																																																																																																																																																																																																																																																																																										
				90	100	110	125	140	160	180	200	220	250	280	315	350	400	450	500																																																																																																																																																																																																																																																																																																																																																																																											
B-N4 40-125F/A	N4 40-125F/A	71 A4	0,25	<table border="1"> <tr> <td rowspan="16">H m</td> <td>3,8</td> <td>3,8</td> <td>3,</td> <td>3,7</td> <td>3,6</td> <td>3,5</td> <td>3,3</td> <td>3,0</td> <td>2,8</td> <td>2,3</td> <td>1,8</td> <td></td> <td></td> <td></td> <td></td> <td></td> <td></td> </tr> <tr> <td>0,108</td> <td>0,113</td> <td>0,117</td> <td>0,124</td> <td>0,129</td> <td>0,136</td> <td>0,142</td> <td>0,146</td> <td>0,150</td> <td>0,152</td> <td>0,152</td> <td></td> <td></td> <td></td> <td></td> <td></td> <td></td> </tr> <tr> <td>4,6</td> <td>4,6</td> <td>4,5</td> <td>4,5</td> <td>4,4</td> <td>4,3</td> <td>4,2</td> <td>4,0</td> <td>3,8</td> <td>3,4</td> <td>3,0</td> <td>2,4</td> <td></td> <td></td> <td></td> <td></td> <td></td> </tr> <tr> <td>0,132</td> <td>0,138</td> <td>0,146</td> <td>0,154</td> <td>0,162</td> <td>0,171</td> <td>0,179</td> <td>0,187</td> <td>0,193</td> <td>0,200</td> <td>0,205</td> <td>0,207</td> <td></td> <td></td> <td></td> <td></td> <td></td> </tr> <tr> <td>5,7</td> <td>5,7</td> <td>5,6</td> <td>5,6</td> <td>5,6</td> <td>5,5</td> <td>5,4</td> <td>5,3</td> <td>5,1</td> <td>4,8</td> <td>4,4</td> <td>3,9</td> <td>3,2</td> <td></td> <td></td> <td></td> <td></td> </tr> <tr> <td>0,163</td> <td>0,171</td> <td>0,179</td> <td>0,188</td> <td>0,199</td> <td>0,211</td> <td>0,224</td> <td>0,235</td> <td>0,245</td> <td>0,259</td> <td>0,270</td> <td>0,285</td> <td></td> <td></td> <td></td> <td></td> <td></td> </tr> <tr> <td>6,1</td> <td>6</td> <td>5,9</td> <td>5,9</td> <td>5,8</td> <td>5,6</td> <td>5,4</td> <td>5,2</td> <td>5</td> <td>4,5</td> <td>3,9</td> <td>3,1</td> <td>2,3</td> <td></td> <td></td> <td></td> <td></td> </tr> <tr> <td>0,17</td> <td>0,18</td> <td>0,19</td> <td>0,2</td> <td>0,21</td> <td>0,23</td> <td>0,24</td> <td>0,25</td> <td>0,26</td> <td>0,27</td> <td>0,28</td> <td>0,29</td> <td>0,3</td> <td></td> <td></td> <td></td> <td></td> </tr> <tr> <td>7,6</td> <td>7,6</td> <td>7,6</td> <td>7,6</td> <td>7,6</td> <td>7,3</td> <td>7,1</td> <td>6,9</td> <td>6,6</td> <td>6,3</td> <td>5,7</td> <td>5</td> <td>4</td> <td>2,7</td> <td></td> <td></td> <td></td> </tr> <tr> <td>0,22</td> <td>0,23</td> <td>0,24</td> <td>0,26</td> <td>0,27</td> <td>0,29</td> <td>0,31</td> <td>0,32</td> <td>0,34</td> <td>0,36</td> <td>0,38</td> <td>0,39</td> <td>0,4</td> <td>0,41</td> <td></td> <td></td> <td></td> </tr> <tr> <td>9,6</td> <td>9,6</td> <td>9,6</td> <td>9,6</td> <td>9,4</td> <td>9,3</td> <td>9,1</td> <td>9</td> <td>8,8</td> <td>8,4</td> <td>7,9</td> <td>7,2</td> <td>6,4</td> <td>5,1</td> <td>3,5*</td> <td></td> <td></td> </tr> <tr> <td>0,28</td> <td>0,3</td> <td>0,31</td> <td>0,33</td> <td>0,35</td> <td>0,37</td> <td>0,4</td> <td>0,42</td> <td>0,44</td> <td>0,47</td> <td>0,49</td> <td>0,51</td> <td>0,53</td> <td>0,55</td> <td>0,56</td> <td></td> <td></td> </tr> <tr> <td>13</td> <td>12,9</td> <td>12,8</td> <td>12,7</td> <td>12,6</td> <td>12,4</td> <td>12,2</td> <td>12</td> <td>11,5</td> <td>10,8</td> <td>10</td> <td>8,6</td> <td>7</td> <td></td> <td></td> <td></td> <td></td> </tr> <tr> <td>0,51</td> <td>0,53</td> <td>0,53</td> <td>0,54</td> <td>0,57</td> <td>0,60</td> <td>0,63</td> <td>0,66</td> <td>0,68</td> <td>0,71</td> <td>0,75</td> <td>0,78</td> <td>0,81</td> <td>0,83</td> <td></td> <td></td> <td></td> </tr> <tr> <td>14,8</td> <td>14,7</td> <td>14,6</td> <td>14,5</td> <td>14,4</td> <td>14,2</td> <td>14,2</td> <td>14</td> <td>13,8</td> <td>13,6</td> <td>13</td> <td>12,2</td> <td>11,3</td> <td>10</td> <td></td> <td></td> <td></td> </tr> <tr> <td>0,59</td> <td>0,6</td> <td>0,6</td> <td>0,61</td> <td>0,64</td> <td>0,67</td> <td>0,71</td> <td>0,74</td> <td>0,77</td> <td>0,8</td> <td>0,85</td> <td>0,9</td> <td>0,94</td> <td>0,97</td> <td></td> <td></td> <td></td> </tr> <tr> <td>17,4</td> <td>17,3</td> <td>17,2</td> <td>17,2</td> <td>17</td> <td>16,8</td> <td>16,6</td> <td>16,3</td> <td>16</td> <td>15,1</td> <td>13,8</td> <td>12,1</td> <td>10,4</td> <td>7,2</td> <td>2,8</td> <td></td> <td></td> </tr> <tr> <td>0,689</td> <td>0,715</td> <td>0,74</td> <td>0,779</td> <td>0,817</td> <td>0,865</td> <td>0,912</td> <td>0,967</td> <td>1,018</td> <td>1,092</td> <td>1,134</td> <td>1,178</td> <td>1,248</td> <td>1,301</td> <td>1,348</td> <td></td> <td></td> </tr> <tr> <td>21,4</td> <td>21,5</td> <td>21,4</td> <td>21,3</td> <td>21,2</td> <td>21</td> <td>20,9</td> <td>20,8</td> <td>20,5</td> <td>20</td> <td>19,5</td> <td>18,3</td> <td>16,4</td> <td>13,3</td> <td>10</td> <td>5*</td> <td></td> </tr> <tr> <td>0,908</td> <td>0,942</td> <td>0,99</td> <td>1,025</td> <td>1,075</td> <td>1,140</td> <td>1,203</td> <td>1,266</td> <td>1,327</td> <td>1,405</td> <td>1,482</td> <td>1,567</td> <td>1,645</td> <td>1,752</td> <td>1,815</td> <td>1,887</td> <td></td> </tr> <tr> <td>B-N4 40-250A/A</td> <td>N4 40-250A/A</td> <td>100 LB4</td> <td>3</td> <td>22,9</td> <td>22,8</td> <td>22,9</td> <td>22,8</td> <td>22,5</td> <td>22,5</td> <td>22,2</td> <td>22</td> <td>21,8</td> <td>21,4</td> <td>20,4</td> <td>18,9</td> <td>16</td> <td>12,6</td> <td>8*</td> </tr> <tr> <td></td> <td></td> <td></td> <td></td> <td>1,068</td> <td>1,104</td> <td>1,15</td> <td>1,193</td> <td>1,246</td> <td>1,316</td> <td>1,385</td> <td>1,454</td> <td>1,521</td> <td>1,638</td> <td>1,733</td> <td>1,817</td> <td>1,933</td> <td>2,068</td> <td>2,168</td> </tr> </table>																H m	3,8	3,8	3,	3,7	3,6	3,5	3,3	3,0	2,8	2,3	1,8							0,108	0,113	0,117	0,124	0,129	0,136	0,142	0,146	0,150	0,152	0,152							4,6	4,6	4,5	4,5	4,4	4,3	4,2	4,0	3,8	3,4	3,0	2,4						0,132	0,138	0,146	0,154	0,162	0,171	0,179	0,187	0,193	0,200	0,205	0,207						5,7	5,7	5,6	5,6	5,6	5,5	5,4	5,3	5,1	4,8	4,4	3,9	3,2					0,163	0,171	0,179	0,188	0,199	0,211	0,224	0,235	0,245	0,259	0,270	0,285						6,1	6	5,9	5,9	5,8	5,6	5,4	5,2	5	4,5	3,9	3,1	2,3					0,17	0,18	0,19	0,2	0,21	0,23	0,24	0,25	0,26	0,27	0,28	0,29	0,3					7,6	7,6	7,6	7,6	7,6	7,3	7,1	6,9	6,6	6,3	5,7	5	4	2,7				0,22	0,23	0,24	0,26	0,27	0,29	0,31	0,32	0,34	0,36	0,38	0,39	0,4	0,41				9,6	9,6	9,6	9,6	9,4	9,3	9,1	9	8,8	8,4	7,9	7,2	6,4	5,1	3,5*			0,28	0,3	0,31	0,33	0,35	0,37	0,4	0,42	0,44	0,47	0,49	0,51	0,53	0,55	0,56			13	12,9	12,8	12,7	12,6	12,4	12,2	12	11,5	10,8	10	8,6	7					0,51	0,53	0,53	0,54	0,57	0,60	0,63	0,66	0,68	0,71	0,75	0,78	0,81	0,83				14,8	14,7	14,6	14,5	14,4	14,2	14,2	14	13,8	13,6	13	12,2	11,3	10				0,59	0,6	0,6	0,61	0,64	0,67	0,71	0,74	0,77	0,8	0,85	0,9	0,94	0,97				17,4	17,3	17,2	17,2	17	16,8	16,6	16,3	16	15,1	13,8	12,1	10,4	7,2	2,8			0,689	0,715	0,74	0,779	0,817	0,865	0,912	0,967	1,018	1,092	1,134	1,178	1,248	1,301	1,348			21,4	21,5	21,4	21,3	21,2	21	20,9	20,8	20,5	20	19,5	18,3	16,4	13,3	10	5*		0,908	0,942	0,99	1,025	1,075	1,140	1,203	1,266	1,327	1,405	1,482	1,567	1,645	1,752	1,815	1,887		B-N4 40-250A/A	N4 40-250A/A	100 LB4	3	22,9	22,8	22,9	22,8	22,5	22,5	22,2	22	21,8	21,4	20,4	18,9	16	12,6	8*					1,068	1,104	1,15	1,193	1,246	1,316	1,385	1,454	1,521	1,638	1,733	1,817	1,933	2,068	2,168
H m	3,8	3,8	3,																		3,7	3,6	3,5	3,3	3,0	2,8	2,3	1,8																																																																																																																																																																																																																																																																																																																																																																																		
	0,108	0,113	0,117																		0,124	0,129	0,136	0,142	0,146	0,150	0,152	0,152																																																																																																																																																																																																																																																																																																																																																																																		
	4,6	4,6	4,5																		4,5	4,4	4,3	4,2	4,0	3,8	3,4	3,0	2,4																																																																																																																																																																																																																																																																																																																																																																																	
	0,132	0,138	0,146																		0,154	0,162	0,171	0,179	0,187	0,193	0,200	0,205	0,207																																																																																																																																																																																																																																																																																																																																																																																	
	5,7	5,7	5,6																		5,6	5,6	5,5	5,4	5,3	5,1	4,8	4,4	3,9	3,2																																																																																																																																																																																																																																																																																																																																																																																
	0,163	0,171	0,179																		0,188	0,199	0,211	0,224	0,235	0,245	0,259	0,270	0,285																																																																																																																																																																																																																																																																																																																																																																																	
	6,1	6	5,9																		5,9	5,8	5,6	5,4	5,2	5	4,5	3,9	3,1	2,3																																																																																																																																																																																																																																																																																																																																																																																
	0,17	0,18	0,19																		0,2	0,21	0,23	0,24	0,25	0,26	0,27	0,28	0,29	0,3																																																																																																																																																																																																																																																																																																																																																																																
	7,6	7,6	7,6																		7,6	7,6	7,3	7,1	6,9	6,6	6,3	5,7	5	4	2,7																																																																																																																																																																																																																																																																																																																																																																															
	0,22	0,23	0,24																		0,26	0,27	0,29	0,31	0,32	0,34	0,36	0,38	0,39	0,4	0,41																																																																																																																																																																																																																																																																																																																																																																															
	9,6	9,6	9,6																		9,6	9,4	9,3	9,1	9	8,8	8,4	7,9	7,2	6,4	5,1	3,5*																																																																																																																																																																																																																																																																																																																																																																														
	0,28	0,3	0,31																		0,33	0,35	0,37	0,4	0,42	0,44	0,47	0,49	0,51	0,53	0,55	0,56																																																																																																																																																																																																																																																																																																																																																																														
	13	12,9	12,8																		12,7	12,6	12,4	12,2	12	11,5	10,8	10	8,6	7																																																																																																																																																																																																																																																																																																																																																																																
	0,51	0,53	0,53																		0,54	0,57	0,60	0,63	0,66	0,68	0,71	0,75	0,78	0,81	0,83																																																																																																																																																																																																																																																																																																																																																																															
	14,8	14,7	14,6																		14,5	14,4	14,2	14,2	14	13,8	13,6	13	12,2	11,3	10																																																																																																																																																																																																																																																																																																																																																																															
	0,59	0,6	0,6	0,61	0,64	0,67	0,71	0,74	0,77	0,8	0,85	0,9	0,94	0,97																																																																																																																																																																																																																																																																																																																																																																																																
17,4	17,3	17,2	17,2	17	16,8	16,6	16,3	16	15,1	13,8	12,1	10,4	7,2	2,8																																																																																																																																																																																																																																																																																																																																																																																																
0,689	0,715	0,74	0,779	0,817	0,865	0,912	0,967	1,018	1,092	1,134	1,178	1,248	1,301	1,348																																																																																																																																																																																																																																																																																																																																																																																																
21,4	21,5	21,4	21,3	21,2	21	20,9	20,8	20,5	20	19,5	18,3	16,4	13,3	10	5*																																																																																																																																																																																																																																																																																																																																																																																															
0,908	0,942	0,99	1,025	1,075	1,140	1,203	1,266	1,327	1,405	1,482	1,567	1,645	1,752	1,815	1,887																																																																																																																																																																																																																																																																																																																																																																																															
B-N4 40-250A/A	N4 40-250A/A	100 LB4	3	22,9	22,8	22,9	22,8	22,5	22,5	22,2	22	21,8	21,4	20,4	18,9	16	12,6	8*																																																																																																																																																																																																																																																																																																																																																																																												
				1,068	1,104	1,15	1,193	1,246	1,316	1,385	1,454	1,521	1,638	1,733	1,817	1,933	2,068	2,168																																																																																																																																																																																																																																																																																																																																																																																												

N4 Standard construction.
B-N4 Bronze construction.

P₂ Rated motor power output.
P₃ Pump power input.

H Total head in m.

* Maximum suction lift 1-2 m.

Performance n = 1450 rpm

PUMP B-N4	PUMP N4	MOTOR	P ₂ kW	Q m³/h	10,8	12	13,2	15	16,8	18,9	21	24	27	30	33	37,8	42	48				
					Q l/min	180	200	220	250	280	315	350	400	450	500	550	630	700	800			
B-N4 50-125F/A	N4 50-125F/A	71 B4	0,37	H m P ₃ kW	4,2 0,209	4,1 0,219	4,1 0,229	4,0 0,243	3,9 0,256	3,7 0,268	3,5 0,279	3,2 0,291	2,8 0,292	2,3 0,291	1,8 0,287							
B-N4 50-125D/A	N4 50-125D/A	80 A4	0,55		5,2 0,27	5,2 0,29	5,2 0,3	5,1 0,32	5,0 0,33	4,8 0,35	4,6 0,37	4,3 0,38	3,9 0,39	3,4 0,39	2,8 0,39							
B-N4 50-125A/A	N4 50-125A/A	80 B4	0,75		6,2 0,332	6,1 0,348	6,1 0,363	6,0 0,385	5,9 0,405	5,8 0,426	5,6 0,446	5,3 0,469	5,0 0,486	4,5 0,495	3,9 0,498	2,9 0,493						
B-N4 50-125S/A	N4 50-125S/A	80 B4	0,75		6,8 0,366	6,7 0,382	6,7 0,399	6,6 0,422	6,5 0,444	6,4 0,471	6,2 0,495	6,0 0,524	5,6 0,545	5,2 0,558	4,6 0,564	3,6 0,561						
B-N4 50-160B/A	N4 50-160B/A	90 S4	1,1		8,2 0,449	8,2 0,469	8,2 0,496	8,1 0,524	8 0,555	7,8 0,584	7,6 0,610	7,2 0,643	6,7 0,671	6,2 0,683	5,5 0,692	4,4 0,687	3,3 0,673					
B-N4 50-160A/A	N4 50-160A/A	90 S4	1,1		9,6 0,555	9,6 0,578	9,6 0,600	9,5 0,632	9,5 0,670	9,3 0,705	9,1 0,742	8,8 0,778	8,3 0,811	7,8 0,833	7,2 0,850	6,1 0,862	4,9 0,861	3,1* 0,844				
B-N4 50-200C/A	N4 50-200C/A	90 S4	1,1		11,8 0,617	11,8 0,647	11,7 0,682	11,7 0,720	11,5 0,759	11,3 0,801	10,9 0,841	10,4 0,888	9,8 0,927	9 0,971	8,1 0,979	6,3 1,005	4,7 1,010					
B-N4 50-200B/A	N4 50-200B/A	90 L4	1,5		13,4 0,772	13,4 0,807	13,4 0,840	13,3 0,889	13,1 0,949	12,9 0,998	12,6 1,051	12,1 1,115	11,5 1,171	10,8 1,213	9,9 1,251	8,2 1,278	6,4 1,299	3,7 1,301				
B-N4 50-200A/A	N4 50-200A/A	100 LA4	2,2		14,9 0,883	14,9 0,923	14,9 0,962	14,9 1,019	14,8 1,074	14,6 1,135	14,4 1,194	14 1,273	13,4 1,345	12,8 1,409	10,4 1,464	8,6 1,535	6 1,576					
B-N4 50-250D/A	N4 50-250D/A	100 LA4	2,2		14,5 0,843	14,4 0,866	14,3 0,929	14 0,990	13,7 1,049	13,4 1,098	13 1,160	12,2 1,230	11,2 1,300	9,7 1,364	8,1 1,395	5,4 1,435	2,3 1,468					
B-N4 50-250C/A	N4 50-250C/A	100 LA4	2,2		17,8 1,091	17,8 1,140	17,7 1,188	17,5 1,256	17,2 1,324	16,8 1,397	16,4 1,465	15,7 1,554	14,9 1,633	13,8 1,700	12,4 1,755	9,7 1,818	6,8 1,844					
B-N4 50-250B/A	N4 50-250B/A	100 LB4	3		20,7 1,374	20,7 1,437	20,7 1,499	20,6 1,591	20,4 1,680	20 1,781	19,5 1,878	18,9 2,009	18,2 2,130	17,1 2,241	15,9 2,320	13,2 2,448	10,6 2,510	5,8* 2,580				
B-N4 50-250A/A	N4 50-250A/A	112 M4	4		22,7 1,493	22,7 1,561	22,6 1,628	22,5 1,728	22,4 1,825	22,1 1,935	21 2,042	20,2 2,186	19,4 2,322	18,3 2,445	16,4 2,557	13,6 2,706	9* 2,893					

4

PUMP B-N4	PUMP N4	MOTOR	P ₂ kW	Q m³/h	21	24	27	30	33	37,8	42	48	54	60	66	75	84	96	108	120	
					Q l/min	350	400	450	500	550	630	700	800	900	1000	1100	1250	1400	1600	1800	2000
B-N4 65-125E/A	N4 65-125E/A	80 B4	0,75	H m P ₃ kW	4,4 0,39	4,3 0,41	4,2 0,43	4 0,445	3,8 0,46	3,3 0,465	2,8 0,47										
B-N4 65-125C/A	N4 65-125C/A	80 B4	0,75		5,4 0,51	5,3 0,54	5,2 0,56	5 0,58	4,8 0,6	4,4 0,62	4 0,63	3 0,64									
B-N4 65-125A/A	N4 65-125A/A	90 S4	1,1		6,3 0,63	6,2 0,66	6,1 0,685	6 0,71	5,8 0,735	5,5 0,76	5 0,78	4,2 0,79	3 0,8								
B-N4 65-160C/A	N4 65-160C/A	90 S4	1,1		6,3 0,59	6,2 0,62	6,1 0,65	6 0,675	5,8 0,7	5,6 0,74	5,3 0,77	4,8 0,81	4 0,83	3,1 0,84							
B-N4 65-160B/A	N4 65-160B/A	90 S4	1,1		7,5 0,71	7,4 0,76	7,3 0,8	7,2 0,84	7 0,87	6,8 0,92	6,5 0,96	6 1	5,3 1,03	4,4 1,04	3,5* 1,05						
B-N4 65-160A/A	N4 65-160A/A	90 L4	1,5		9 0,91	8,9 0,97	8,8 1,02	8,7 1,07	8,6 1,12	8,4 1,18	8,1 1,23	7,6 1,29	6,9 1,34	6,2 1,38	5,3* 1,4	3,8* 1,4					
B-N4 65-200B/A	N4 65-200B/A	100 LA4	2,2		11,9 1,25	11,8 1,33	11,7 1,4	11,6 1,47	11,4 1,53	11,1 1,62	10,8 1,69	10,2 1,78	9,5 1,86	8,7 1,93	7,8* 1,98	6,2* 2	4,3* 2				
B-N4 65-200A/A	N4 65-200A/A	100 LB4	3		14,1 1,57	14 1,66	13,9 1,75	13,8 1,84	13,7 1,91	13,4 2,02	13,1 2,13	12,6 2,24	11,9 2,35	10,2 2,46	10,2* 2,56	7,2* 2,65					
B-N4 65-250B	N4 65-250B	112 M4	4		18 2,02	17,9 2,14	17,8 2,26	17,7 2,38	17,6 2,5	17,3 2,66	16,9 2,8	16,3 3	15,4 3,18	14,4 3,36	13,1* 3,5	10,8* 3,68	8,5* 3,82				
B-N4 65-250A	N4 65-250A	132 S4	5,5		21,9 2,74	21,8 2,88	21,7 3,02	21,6 3,16	21,5 3,3	21,2 3,52	20,8 3,72	20,2 3,97	19,5 4,22	18,5 4,43	17,5* 4,63	15,4* 4,91	12,8* 5,15				
B-N4 65-315C	N4 65-315C	132 S4	5,5		25,8 3,12	25,7 3,31	25,5 3,49	25,3 3,67	25 3,83	24,4 4,05	23,8 4,25	22,8 4,5	21,5 4,75	20 5,12	18,2* 5,3	15* 5,3	11* 5,44				
B-N4 65-315B	N4 65-315B	132 MA4	7,5		31 3,97	31 4,23	30,9 4,45	30,8 4,65	30,6 4,85	30,2 5,15	29,7 5,4	28,8 5,75	27,8 6,1	26,5 6,4	25* 6,5	22,2* 7	18,6* 7,2				
B-N4 65-315A	N4 65-315A	132 MB4	9,2		35,9 4,8	35,9 5,1	35,8 5,4	35,7 5,6	35,5 5,8	35,1 6,15	34,6 6,5	33,8 6,9	32,8 7,3	31,6 7,6	30,2* 7,9	27,8* 8,3	25* 8,7				

PUMP B-N4	PUMP N4	MOTOR	P ₂ kW	Q m³/h	30	33	37,8	42	48	54	60	66	75	84	96	108	120	132	150	168	
					Q l/min	500	550	630	700	800	900	1000	1100	1250	1400	1600	1800	2000	2200	2500	2800
B-N4 80-160C/A	N4 80-160C/A	90 S4	1,1	H m P ₃ kW	5,4 0,79	5,3 0,81	5,2 0,84	5 0,87	4,8 0,9	4,6 0,93	4,3 0,95	3,9 0,96	3,1 0,97								
B-N4 80-160B/A	N4 80-160B/A	90 L4	1,5		6,7 1,02	6,6 1,05	6,5 1,1	6,3 1,13	6,1 1,18	5,9 1,23	5,6 1,27	5,2 1,29	4,6 1,32	3,7 1,35							
B-N4 80-160A/A	N4 80-160A/A	100 LA4	2,2		9,6 1,44	9,5 1,49	9,4 1,57	9,2 1,63	9 1,72	8,8 1,8	8,5 1,88	8,1 1,94	7,5 2,02	6,7 2,07	5,2 2,1						
B-N4 80-200C	N4 80-200C	100 LA4	2,2		10,3 1,56	10,2 1,62	10,1 1,7	10 1,77	9,8 1,86	9,5 1,93	9,1 2	8,6 2,06	7,7 2,13	6,6 2,18	4,6 2,2						
B-N4 80-200B	N4 80-200B	100 LB4	3		12,1 1,8	12 1,88	11,9 2	11,8 2,1	11,7 2,22	11,4 2,33	11,1 2,43	10,6 2,52	9,8 2,62	9 2,68	7,5 2,72	5,7* 2,72					
B-N4 80-200A	N4 80-200A	112 M4	4		13,9 2,13	13,8 2,22	13,7 2,35	13,6 2,48	13,5 2,65	13,3 2,8	13 2,94	12,6 3,05	11,8 3,2	11 3,35	9,6 3,44	7,9* 3,46	6* 3,44				
B-N4 80-250C	N4 80-250C	112 M4	4		16,9 2,37	16,8 2,5	16,7 2,65	16,6 2,8	16,3 3	15,9 3,2	15,4 3,35	14,8 3,49	13,9 3,68	12,7 3,83	11,1 3,97	9,3* 3,98	7,2* 3,88				
B-N4 80-250B	N4 80-250B	132 S4	5,5		20,7 3,25	20,6 3,38	20,5 3,58	20,4 3,75	20,3 4,23	20 4,42	19,6 4,6	19,1 4,87	18,2 5,13	17,1 5,35	15,4 5,49	13,5* 5,55	11,4* 5,45	9* 5,45			
B-N4 80-250A	N4 80-250A	132 MA4	7,5		23,7 3,94	23,7 4,1	23,6 4,33	23,5 4,54	23,3 4,83	23,2 5,08	22,7 5,33	22,2 5,58	21,5 5,91	20,5 6,23	19 6,54	17,2* 6,82	15,1* 6,98	12,7* 7,05			
B-N4 80-315C	N4 80-315C	132 MB4	9,2		28,8 4,63	28,8 4,85	28,7 5,15	28,6 5,45	28,3 5,88	27,9 6,23	27,4 6,58	26,8 6,92	25,8 7,4	24,6 7,85	22,6 8,35	20,4* 8,75	17,8* 9,05	15* 9,2			
B-N4 80-315B	N4 80-315B	160 M4	11		32,3 5,7	32,3 5,9	32,2 6,23	32,1 6,55	31,9 7	31,6 7,45	31,2 7,85	30,7 8,2	29,8 8,7	28,8 9,2	27 9,7	25,1* 10,3	22,9* 10,8	20* 11			
B-N4 80-315A	N4 80-315A	160 L4	15		37,4 6,47	37,4 6,77	37,3 7,3	37,2 7,65	37,1 8,25	37 8,85	36,7 9,35	36,3 9,8	35,6 10,55	34,7 11,25	33,2 12,1	31,3* 12,8	29* 13,5	26,4* 14			
B-N4 80-400C	N4 80-400C	180 M4	18,5		46,5 9,75	46,3 10,25	46,1 10,85	45,8 11,25	45,2 11,9	44,5 12,55	43,5 13,2	42,4 13,85	40 14,8	37,2 15,5	32,5 16,5	26,2* 17,5	18,5* 18				
B-N4 80-400B	N4 80-400B	180 L4																			

Performance n = 1450 rpm

PUMP B-N4	PUMP N4	MOTOR	P ₂ kW	Q m ³ /h	48	54	60	66	75	84	96	108	120	132	150	168	180	192	210		
				Q l/min	800	900	1000	1100	1250	1400	1600	1800	2000	2200	2500	2800	3000	3200	3500		
B-N4 100-200C	N4 100-200C	100 LB4	3	H m P ₃ kW	9,4 2,1	9,3 2,2	9,2 2,3	9,1 2,4	8,9 2,5	8,5 2,6	8 2,7	7,3 2,8	6,5 2,85	5,6 2,9	4* 2,85						
B-N4 100-200B	N4 100-200B	112 M4	4		12 2,65	11,9 2,8	11,8 2,95	11,7 3,1	11,5 3,3	11,2 3,45	10,7 3,65	10 3,85	9,3 3,95	8,4 4	6,7* 3,95	4,5* 3,8					
B-N4 100-200A	N4 100-200A	132 S4	5,5		15,2 3,65	15,2 3,85	15,1 4	15 4,15	14,9 4,4	14,7 4,6	14,3 4,85	13,8 5,1	13,1 5,3	12,2 5,45	10,7* 5,55	9* 5,65	7,5* 5,65	6* 5,55			
B-N4 100-250B	N4 100-250B	132 MA4	7,5		19,5 4,8	19,5 5	19,4 5,2	19,3 5,4	19 5,75	18,7 6,05	18,2 6,4	17,5 6,7	16,6 7	15,6 7,3	13,8* 7,5	11,7* 7,5	10* 7,45	8,4* 7,35	5,5* 7,15		
B-N4 100-250A	N4 100-250A	132 MB4	9,2		22,3 5,5	22,3 5,8	22,2 6,05	22,1 6,25	21,9 6,6	21,7 6,95	21,2 7,35	20,5 7,75	19,8 8,1	18,8 8,35	17,1* 8,7	15* 8,7	13,4* 9,05	11,7* 9	8,9* 8,9		
B-N4 100-315C	N4 100-315C	160 M4	11		26,9 6,6	26,9 7	26,8 7,35	26,6 7,65	26,2 8,1	25,7 8,5	24,9 9	23,8 9,5	22,7 9,85	21,3 10,2	18,9* 10,7	15,9* 10,9	13,7* 11	11,3* 11			
B-N4 100-315B	N4 100-315B	160 L4	15		31,5 7,8	31,5 8,25	31,4 8,65	31,3 9	31,2 9,6	30,8 10,2	30,2 10,9	29,3 11,5	28,2 12,1	26,9 12,6	24,6* 13,3	21,8* 13,9	19,8* 14,1	17,6* 14,4	14* 14,4		
B-N4 100-315A	N4 100-315A	180 M4	18,5		36,9 9,7	36,9 10,2	36,8 10,7	36,7 11,2	36,6 11,9	36,4 12,5	36 13,3	35,3 14,1	34,5 14,9	33,4 15,6	31,4* 16,6	29* 17,4	27,2* 17,9	25,3* 18,3	22,2* 18,75		
B-N4 100-400C	N4 100-400C	180 L4	22		41,3 11,1	41,2 11,8	41,1 12,5	41 13,2	40,7 14	40,4 14,8	39,8 16	39 17	38 18	36,5 18,9	34* 20	31* 21	28,7* 21,7	26* 22			
B-N4 100-400B	N4 100-400B	200 L4	30		50,2 17,8	50,1 18	50 19,7	49,9 20,5	49,7 21,7	49,4 22,9	48,8 24,4	48 25,9	47,1 27,4	46 28,8	44* 30,9	41,3* 32,7	39,5* 33,85	37* 35	33,5* 36,5		
B-N4 100-400A	N4 100-400A	225 S4	37		58,2 17,8	58,1 18,75	58 19,7	57,9 20,5	57,8 21,7	57,6 22,9	57,2 24,4	56,3 25,9	55,7 27,4	54,5 28,8	52,7* 30,9	50,5* 32,7	49* 33,85	47* 35	44* 36,5		

PUMP B-N4	PUMP N4	MOTOR	P ₂ kW	Q m ³ /h	84	96	108	120	132	150	168	180	192	210	240	270	300	330			
				Q l/min	1400	1600	1800	2000	2200	2500	2800	3000	3200	3500	4000	4500	5000	5500			
B-N4 125-250E	N4 125-250E	132 S4	5,5	H m P ₃ kW	11 4,2	10,8 4,5	10,5 4,75	10,1 4,95	9,7 5,05	9,1 5,2	8,3 5,35	7,8 5,45	7,2 5,5	6,2 5,5	4,4* 5,35						
B-N4 125-250D	N4 125-250D	132 MA4	7,5		14 5,4	13,9 5,7	13,7 5,95	13,4 6,2	13 6,45	12,4 6,75	11,6 7,1	11 7,2	10,4 7,35	9,4 7,4	7,4* 7,1	5,1* 7,1					
B-N4 125-250C	N4 125-250C	132 MB4	9,2		16,7 6,3	16,6 6,7	16,4 7,1	16,2 7,4	15,9 7,65	15,4 8,05	14,6 8,4	14,1 8,6	13,5 8,75	12,5 9	10,4* 9,2	8,2* 9,2	5,8* 9,05				
B-N4 125-250B	N4 125-250B	160 M4	11		19,3 7,8	19,2 8,25	19,1 8,7	18,9 9,1	18,7 9,45	18,2 10	17,5 10,35	17 10,6	16,3 10,85	15,3 11,1	13,3* 11,4	10,9* 11,45	8,2* 11,3				
B-N4 125-250A	N4 125-250A	160 L4	15		22,7 9,2	22,7 9,75	22,6 10,3	22,4 10,85	22,2 11,3	21,8 12	21,2 12,6	20,8 12,95	19,33 13,25	17,4* 14,3	15* 14,5	12,4* 14,55	9,3* 14,4				
B-N4 125-315C	N4 125-315C	180 M4	18,5		27,9 11,5	27,8 12,15	27,7 12,8	27,6 13,4	27,2 14	26,5 14,7	25,6 15,4	24,9 15,8	24 16,2	22,8 16,7	20,2* 17,3	17* 17,7	13,5* 18	9,5* 18			
B-N4 125-315B	N4 125-315B	180 L4	22		31,8 12,75	31,7 13,6	31,6 14,45	31,5 15,3	31,1 15,9	30,6 16,8	29,7 17,7	29,1 18,4	28,5 19	27,3 19,7	24,9* 20,6	22* 22,4	18,5* 22	14,3* 22,1			
B-N4 125-315A	N4 125-315A	200 L4	30		36,8 15,5	36,8 16,5	36,7 17,5	36,6 18,3	36,4 19,1	35,9 20,4	35,2 21,6	34,7 22,4	34,2 23,1	33,2 24,15	31* 25,6	28,4* 26,6	25,3* 27,6	21,6* 28,45			
B-N4 125-400C	N4 125-400C	225 S4	37		45,4 19,4	45,3 20,7	45,2 22	45,1 23,3	44,9 24,6	44,4 26,5	43,7 28,2	43 29,3	42 30,2	40 31,4	37* 33,4	33* 35	28,5* 35,9	23,5* 36,75			
B-N4 125-400B	N4 125-400B	225 M4	45		51,4 22,9	51,3 24,3	51,2 25,7	51,1 27,1	50,9 28,4	50,4 30,35	49,7 32,2	49 33,3	48,2 34,4	46,8 36	44* 38,5	40,5* 41	36* 43	31,5* 44,5			
B-N4 125-400A	N4 125-400A	250 M4	55		59,2 27,8	59,1 29,4	59 30,9	58,9 32,4	58,7 33,9	58,2 36,2	57,7 38,4	57,2 39,8	56,7 41,2	55,7 43,2	53,5* 46,2	50,5* 49,2	46,5* 52,1	42,5* 54,4			

PUMP B-N4	PUMP N4	MOTOR	P ₂ kW	Q m ³ /h	132	150	168	180	192	210	240	270	300	330	360	390	420	450	480	
				Q l/min	2200	2500	2800	3000	3200	3500	4000	4500	5000	5500	6000	6500	7000	7500	8000	
B-N4 150-315D	N4 150-315D	180 M4	18,5	H m P ₃ kW	22,8 13,8	22,6 14,5	22,3 15	22 15,4	21,7 15,75	21,1 16,2	20 16,9	18,6 17,6	17 18	15,1 18,35	13 18,45	10,6* 18,4	8* 18,15			
B-N4 150-315C	N4 150-315C	180 L4	22		25,6 15,6	25,4 16,44	25,1 17,2	24,9 17,65	24,7 18,1	24,2 18,8	23,3 19,7	22 20,6	20,4 21,3	18,5 21,75	16,5 22	14,1* 22	11,6* 22	8,9* 21,65		
B-N4 150-315B	N4 150-315B	200 L4	30		30,6 19	30,6 20	30,5 21	30,3 21,6	30,1 22,15	29,7 23	29 24,35	27,9 25,7	26,5 26,6	24,9 27,5	23 28,1	20,8* 28,7	18,3* 28,9	15,4* 29		
B-N4 150-315A	N4 150-315A	225 S4	37		35,6 23,1	35,6 24,4	35,5 25,7	35,4 26,5	35,3 27,2	35,2 28,3	34,6 30	33,7 31,6	32,5 33,1	31 34,3	29,2 35,4	27,1* 36,3	24,7* 37	21,8* 37,5	18,5* 37,8	
B-N4 150-400C	N4 150-400C	225 M4	45		45 27,9	44,9 29,65	44,7 31,4	44,5 32,6	44 33,8	43,5 35,3	42,5 37,7	40,5 39,7	38,5 41,3	36 42,7	33,5 43,8	30,5* 44,1	27* 44,1	23,5* 44	19,5* 43	
B-N4 150-400B	N4 150-400B	250 M4	55		50,8 31,4	50,7 33,6	50,5 35,8	50,3 36,9	50 38,2	49,5 40	48,5 42,8	47 45,5	45 47,7	43 49,8	40,5 51,5	38* 53	35* 54,1	32* 54,6	28,5* 54,8	
B-N4 150-400A	N4 150-400A	280 S4	75		58,8 38,2	58,7 40,7	58,6 42,8	58,5 44,35	58,3 45,7	57,9 48	57 51,5	55,5 54,4	54 57,1	52 59,7	49,5 62	47* 64,2	44* 66	41* 67,5	37,5* 68,4	

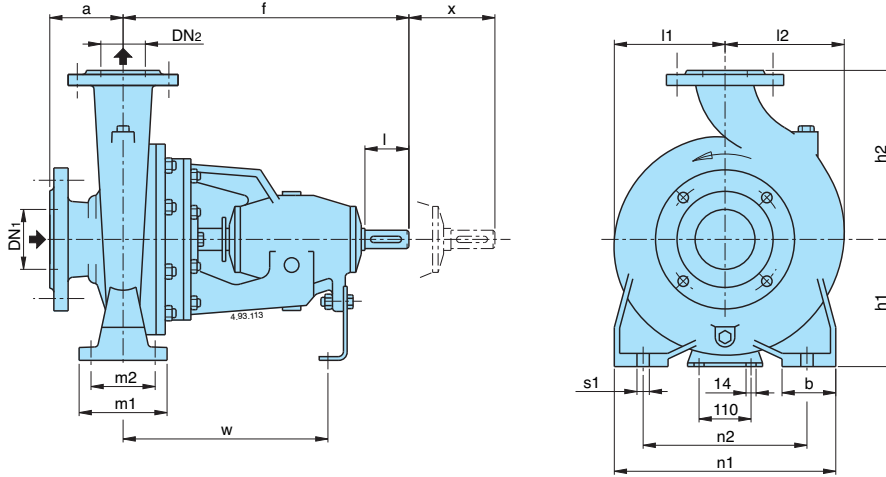
N4 Standard construction.
B-N4 Bronze construction.

P₂ Rated motor power output.
P₃ Pump power input.

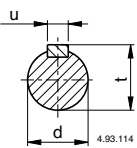
H Total head in m.

* Maximum suction lift 1-2 m.

Dimensions and weights

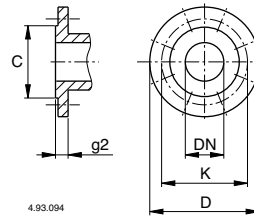


Shaft extension ISO 775 Parallel key UNI 6604



mm			
d	l	u	t
24 j6	50	8	27
32 k6	80	10	35
42 k6	110	12	45

Flanges PN 10, EN 1092-2



mm						
DN	C	K	D	Holes		g2
				N°	Ø	
32	76	100	140	4	19	18
40	84	110	150	4	19	18
50	99	125	165	4	19	20
65	118	145	185	4	19	20
80	132	160	200	8	19	22
100	156	180	220	8	19	24
125	184	210	250	8	19	24
150	211	240	285	8	23	26
200	266	295	340	8	23	30

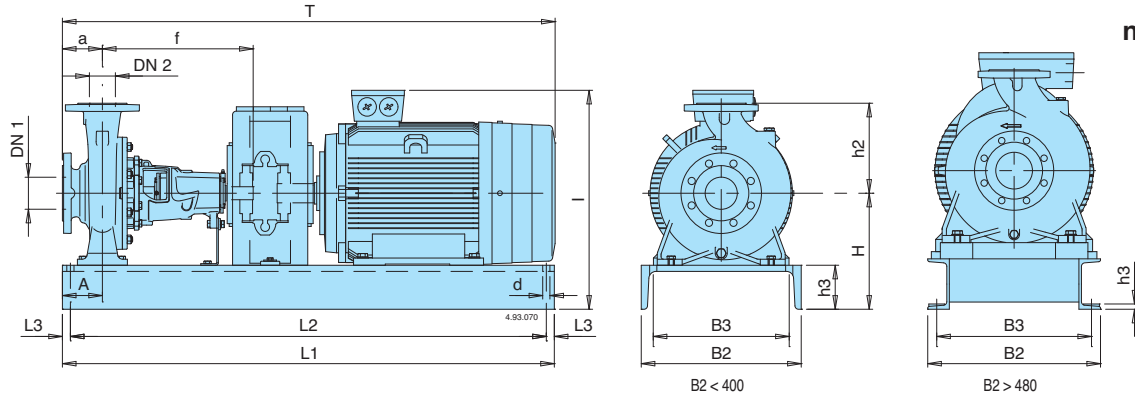
N n = 2900 rpm
N4 n = 1450 rpm

TYPE	mm																kg		
	DN1	DN2	a	f	h1	h2	l1	l2	m1	m2	n1	n2	b	s1	d	w	x	B-N B-N4	N N4
B-N, B-N4 - N, N4 32-125					112	140	93	97			190	140							30,7
B-N, B-N4 - N, N4 32-160	50	32	80	360	132	160	120	120	100	70	240	190	50	14	24	260	100		38,2
B-N, B-N4 - N, N4 32-200					160	180	140	140											44,8
B-N, B-N4 - N, N4 40-125			80	360	112	140	100	113			210	160							34,1
B-N, B-N4 - N, N4 40-160	65	40			132	160	119	119	100	70	240	190	50	14	24	260	100		40
B-N, B-N4 - N, N4 40-200			100		160	180	140	140			265	212							48,5
B-N, B-N4 - N, N4 40-250					180	225	175	175	125	95	320	250	65						62,3
B-N, B-N4 - N, N4 50-125				360	132	160	121	137			240	190							44
B-N, B-N4 - N, N4 50-160	65	50	100		160	180	127	141	100	70	265	212	50	14	24	260	100		45,8
B-N, B-N4 - N, N4 50-200					200	200	140	153											52,3
B-N, B-N4 - N, N4 50-250					180	225	175	175	125	95	320	250	65						64,4
B-N, N 50M																		66	
B-N, B-N4 - N, N4 65-125				100	160	180	134	155			280	212	65	14	24	260	100		51,6
B-N, B-N4 - N, N4 65-160	80	65			200	200	150	172	125	95	320	250							52,5
B-N, B-N4 - N, N4 65-200					180	225	155	175			360	280	80	18	32	340			60
B-N, B-N4 - N, N4 65-250					200	250	175	190	160	120	400	315							95,5
B-N4 - N4 65-315			125		225	280	220	220											136
B-N, B-N4 - N, N4 80-160				125	360	225	165	193			320	250	65	14	24	260			63
B-N, B-N4 - N, N4 80-200	100	80			180	250	170	194	125	95	345	280							90,5
B-N, B-N4 - N, N4 80-250					200	280	191	210			400	315	80	18	32	340	140		112
B-N4 - N4 80-315					250	315	220	232	160	120	400	315							139,5
B-N4 - N4 80-400 ¹⁾	125	80	125	530	280	355	268	268	160	120	435	355	80	18	42	370	140		202
B-N, B-N4 - N, N4 100-200				140	200	280	180	212			360	280							102
B-N, B-N4 - N, N4 100-250	125	100			225	280	205	233	160	120	400	315	80	18	32	340	140		121,5
B-N4 - N4 100-315					250	315	230	250											151,5
B-N4 - N4 100-400					530	280	355	268	280	200	150	500	400	100	22	42	370		211,5
B-N4 - N4 125-250				150	470	250	235	268	160	120	400	315	80	18	32	340			140
B-N4 - N4 125-315	125	125			280	355	247	278	200	150	500	400	100	22	42	370	140		198
B-N4 - N4 125-400					315	400	280	305											232
B-N4 - N4 150-315					280	400	260	298	200	150	550	450	100	22	42	370	140		213
B-N4 - N4 150-400	200	150	160	530	315	450	295	328										262	

1) Additional size



Dimensions



n = 2900 rpm

TYPE	MOTOR	kW	mm															
			DN ₁	DN ₂	a	f	H	h ₂	L ₁	L ₂	L ₃	B ₂	B ₃	A	h ₃	d	T _≈	l _≈
B-N, N 32-125	71 B2	0.55	50	32	80	360	197	140	780	750	15	240	180	90	85	14	718	308
	80 A2	0.75	50	32	80	360	197	140	780	750	15	240	180	90	85	14	752	317
	80 B2	1.1	50	32	80	360	197	140	780	750	15	240	180	90	85	14	752	317
	90 S2	1.5	50	32	80	360	197	140	780	750	15	240	180	90	85	14	809	325
B-N, N 32-160	90 S2	1.5	50	32	80	360	217	160	780	750	15	240	180	90	85	14	809	345
	90 L2	2.2	50	32	80	360	217	160	780	750	15	240	180	90	85	14	809	345
	100 L2	3	50	32	80	360	232	160	880	850	15	300	240	90	100	14	885	398
B-N, N 32-200	90 L2	2.2	50	32	80	360	245	180	780	750	15	240	180	90	85	14	809	373
	100 L2	3	50	32	80	360	260	180	880	850	15	300	240	90	100	14	885	426
	112 M2	4	50	32	80	360	260	180	880	850	15	300	240	90	100	14	882	437
	132 SA2	5.5	50	32	80	360	260	180	1020	990	15	350	290	100	100	14	953	462
B-N, N 40-125	80 B2	1.1	65	40	80	360	197	140	780	750	15	240	180	90	85	14	752	317
	90 S2	1.5	65	40	80	360	197	140	780	750	15	240	180	90	85	14	809	325
	90 L2	2.2	65	40	80	360	197	140	780	750	15	240	180	90	85	14	809	325
B-N, N 40-160	90 L2	2.2	65	40	80	360	217	160	780	750	15	240	180	90	85	14	809	345
	100 L2	3	65	40	80	360	232	160	880	850	15	300	240	90	100	14	885	398
	112 M2	4	65	40	80	360	232	160	880	850	15	300	240	90	100	14	882	409
	132 SA2	5.5	65	40	80	360	232	160	1020	990	15	350	290	90	100	14	953	434
B-N, N 40-200	112 M2	4	65	40	100	360	260	180	880	850	15	300	240	100	100	14	902	437
	132 SA2	5.5	65	40	100	360	260	180	1020	990	15	350	290	100	100	14	973	462
	132 SB2	7.5	65	40	100	360	260	180	1020	990	15	350	290	100	100	14	973	462
B-N, N 40-250	132 MA2	9.2	65	40	100	360	280	225	1020	990	15	350	290	100	100	14	973	482
	160 MA2	11	65	40	100	360	280	225	1020	990	15	350	290	100	100	14	1082	517
	160 MB2	15	65	40	100	360	280	225	1020	990	15	350	290	100	100	14	1082	517
	160 MA2	15	65	40	100	360	280	225	1020	990	15	350	290	100	100	14	1082	517
B-N, N 50-125	90 L2	2.2	65	50	100	360	217	160	780	750	15	240	180	90	85	14	829	345
	100 L2	3	65	50	100	360	232	160	880	850	15	300	240	90	100	14	905	398
	112 M2	4	65	50	100	360	232	160	880	850	15	300	240	90	100	14	902	409
	132 SA2	5.5	65	50	100	360	232	160	1020	990	15	350	290	90	100	14	973	434
B-N, N 50-160	132 SA2	5.5	65	50	100	360	260	180	1020	990	15	350	290	100	100	14	973	462
	132 SB2	7.5	65	50	100	360	260	180	1020	990	15	350	290	100	100	14	973	462
	132 MA2	9.2	65	50	100	360	260	200	1020	990	15	350	290	100	100	14	973	462
B-N, N 50-200	160 MA2	11	65	50	100	360	260	200	1020	990	15	350	290	100	100	14	1082	497
	160 MB2	15	65	50	100	360	260	200	1020	990	15	350	290	100	100	14	1082	497
	160 MA2	11	65	50	100	360	280	225	1020	990	15	350	290	100	100	14	1082	517
	160 MB2	15	65	50	100	360	280	225	1020	990	15	350	290	100	100	14	1082	517
B-N, N 50-250	160 MA2	11	65	50	100	360	280	225	1020	990	15	350	290	100	100	14	1082	517
	160 MB2	15	65	50	100	360	280	225	1020	990	15	350	290	100	100	14	1082	517
	160 L2	18.5	65	50	100	360	280	225	1020	990	15	350	290	100	100	14	1082	517
	180 M2	22	65	50	100	360	280	225	1140	1110	15	350	290	100	100	14	1189	542
B-N, N 50M	160 MA2	11	65	50	100	360	280	225	1020	990	15	350	290	100	100	14	1082	517
	160 MB2	15	65	50	100	360	280	225	1020	990	15	350	290	100	100	14	1082	517
	160 L2	18.5	65	50	100	360	280	225	1020	990	15	350	290	100	100	14	1082	517
B-N, N 65-125	112 M2	4	80	65	100	360	260	180	880	850	15	300	240	100	100	14	902	437
	132 SA2	5.5	80	65	100	360	260	180	1020	990	15	350	290	100	100	14	973	462
	132 SB2	7.5	80	65	100	360	260	180	1020	990	15	350	290	100	100	14	973	462
B-N, N 65-160	132 SA2	5.5	80	65	100	360	260	200	1020	990	15	350	290	100	100	14	973	462
	132 SB2	7.5	80	65	100	360	260	200	1020	990	15	350	290	100	100	14	973	462
	132 MA2	9.2	80	65	100	360	260	200	1020	990	15	350	290	100	100	14	973	462
	160 MA2	11	80	65	100	360	260	200	1020	990	15	350	290	100	100	14	1082	497
	160 MB2	15	80	65	100	360	260	200	1020	990	15	350	290	100	100	14	1082	497
B-N, N 65-200	160 MB2	15	80	65	100	360	280	225	1020	990	15	350	290	100	100	14	1082	517
	160 L2	18.5	80	65	100	360	280	225	1020	990	15	350	290	100	100	14	1082	517
	180 M2	22	80	65	100	360	280	225	1140	1110	15	350	290	100	100	14	1189	542
	180 M2	22	80	65	100	470	310	250	1360	1320	20	400	340	130	110	18	1299	572
B-N, N 65-250	200 LA2	30	80	65	100	470	310	250	1360	1320	20	400	340	130	110	18	1347	610
	200 LB2	37	80	65	100	470	310	250	1360	1320	20	400	340	130	110	18	1347	610
	132 SB2	7.5	100	80	125	360	280	225	1020	990	15	350	290	100	100	14	998	482
B-N, N 80-160	132 MA2	9.2	100	80	125	360	280	225	1020	990	15	350	290	100	100	14	998	482
	160 MA2	11	100	80	125	360	280	225	1020	990	15	350	290	100	100	14	1107	517
	160 MB2	15	100	80	125	360	280	225	1020	990	15	350	290	100	100	14	1107	517
	160 L2	18.5	100	80	125	360	280	225	1020	990	15	350	290	100	100	14	1107	517
	180 M2	22	100	80	125	470	310	250	1230	1190	20	400	340	130	110	18	1324	552
B-N, N 80-200	200 LA2	30	100	80	125	470	310	250	1360	1320	20	400	340	130	110	18	1372	610
	180 M2	22	100	80	125	470	310	280	1360	1320	20	400	340	130	110	18	1324	572
	200 LA2	30	100	80	125	470	310	280	1360	1320	20	400	340	130	110	18	1372	610
B-N, N 80-250	200 LB2	37	100	80	125	470	310	280	1360	1320	20	400	340	130	110	18	1372	610
	225 M2	45	100	80	125	470	385	280	1250	840	205	480	430	95	16	24	1411	710
	250 M2	55	100	80	125	470	415	280	1250	840	205	480	430	95	16	24	1509	807
B-N, N 100-200	160 L2	18.5	125	100	125	470	310	280	1230	1190	20	400	340	130	110	18	1203	547
	180 M2	22	125	100	125	470	310	280	1360	1320	20	400	340	130	110	18	1324	572
	200 LA2	30	125	100	125	470	310	280	1360	1320	20	400	340	130	110	18	1372	610
	200 LB2	37	125	100	125	470	310	280	1360	1320	20	400	340	130	110	18	1372	610
B-N, N 100-200	225 M2	45	125	100	125	470	385	280	1250	840	205	480	430	95	16	24	1411	710
B-N, N 100-250	250 M2	55	125	100	140	470	415	280	1250	840	205	480	430	95	16	24	1524	807
	280 S2	75	125	100	140	470	505	280	1400	940	230	510	450	95	17.5	24	1597	937

Dimensions

n = 1450 rpm

TYPE	MOTOR	kW	mm															
			DN ₁	DN ₂	a	f	H	h ₂	L ₁	L ₂	L ₃	B ₂	B ₃	A	h ₃	d	T _≈	l _≈
B-N4, N4 32-125	71 A4	0.25	50	32	80	360	197	140	780	750	15	240	180	90	85	14	718	308
B-N4, N4 32-160	71 B4	0.37	50	32	80	360	217	160	780	750	15	240	180	90	85	14	718	328
B-N4, N4 32-200	80 A4	0.55	50	32	80	360	245	180	780	750	15	240	180	90	85	14	752	365
	80 B4	0.75	50	32	80	360	245	180	780	750	15	240	180	90	85	14	752	365
B-N4, N4 40-125	71 A4	0.25	65	40	80	360	197	140	780	750	15	240	180	90	85	14	718	308
	71 B4	0.37	65	40	80	360	197	140	780	750	15	240	180	90	85	14	718	308
B-N4, N4 40-160	71 B4	0.37	65	40	80	360	217	160	780	750	15	240	180	90	85	14	718	328
	80 A4	0.55	65	40	80	360	217	160	780	750	15	240	180	90	85	14	752	337
	80 B4	0.75	65	40	80	360	217	160	780	750	15	240	180	90	85	14	752	337
B-N4, N4 40-200	90 S4	1.1	65	40	100	360	260	180	880	850	15	300	240	100	100	14	829	388
B-N4, N4 40-250	90 L4	1.5	65	40	100	360	280	225	880	850	15	350	290	100	100	14	829	408
	100 LA4	2.2	65	40	100	360	280	225	880	850	15	350	290	100	100	14	905	446
	100 LB4	3	65	40	100	360	280	225	880	850	15	350	290	100	100	14	905	446
B-N4, N4 50-125	71 B4	0.37	65	50	100	360	217	160	780	750	15	240	180	90	85	14	738	328
	80 A4	0.55	65	50	100	360	217	160	780	750	15	240	180	90	85	14	772	337
	80 B4	0.75	65	50	100	360	217	160	780	750	15	240	180	90	85	14	772	337
B-N4, N4 50-160	90 S4	1.1	65	50	100	360	260	180	880	850	15	300	240	100	100	14	829	388
B-N4, N4 50-200	90 S4	1.1	65	50	100	360	260	200	880	850	15	300	240	100	100	14	829	388
	90 L4	1.5	65	50	100	360	260	200	880	850	15	300	240	100	100	14	829	388
	100 LA4	2.2	65	50	100	360	260	200	880	850	15	300	240	100	100	14	905	426
B-N4, N4 50-250	100 LA4	2.2	65	50	100	360	280	225	880	850	15	350	290	100	100	14	905	446
	100 LB4	3	65	50	100	360	280	225	880	850	15	350	290	100	100	14	905	446
	112 M4	4	65	50	100	360	280	225	880	850	15	350	290	100	100	14	902	457
B-N4, N4 65-125	80 B4	0.75	80	65	100	360	260	180	880	850	15	300	240	100	100	14	772	380
	90 S4	1.1	80	65	100	360	260	180	880	850	15	300	240	100	100	14	829	388
B-N4, N4 65-160	90 S4	1.1	80	65	100	360	260	200	880	850	15	300	240	100	100	14	829	388
	90 L4	1.5	80	65	100	360	260	200	880	850	15	300	240	100	100	14	829	388
B-N4, N4 65-200	100 LA4	2.2	80	65	100	360	280	225	880	850	15	350	290	100	100	14	905	446
	100 LB4	3	80	65	100	360	280	225	880	850	15	350	290	100	100	14	905	446
B-N4, N4 65-250	112 M4	4	80	65	100	470	310	250	1030	990	20	400	340	130	110	18	1012	487
	132 S4	5.5	80	65	100	470	310	250	1030	990	20	400	340	130	110	18	1055	512
B-N4, N4 65-315	132 S4	5.5	80	65	125	470	335	280	1030	990	20	400	340	130	110	18	1080	537
	132 MA4	7.5	80	65	125	470	335	280	1030	990	20	400	340	130	110	18	1080	537
	132 MB4	9.2	80	65	125	470	335	280	1030	990	20	400	340	130	110	18	1080	537
B-N4, N4 80-160	90 S4	1.1	100	80	125	360	280	225	880	850	15	350	290	100	100	14	854	408
	90 L4	1.5	100	80	125	360	280	225	880	850	15	350	290	100	100	14	854	408
	100 LA4	2.2	100	80	125	360	280	225	880	850	15	350	290	100	100	14	930	446
B-N4, N4 80-200	100 LA4	2.2	100	80	125	470	280	250	1020	990	15	350	290	100	100	14	1040	446
	100 LB4	3	100	80	125	470	280	250	1020	990	15	350	290	100	100	14	1040	446
	112 M4	4	100	80	125	470	280	250	1020	990	15	350	290	100	100	14	1037	457
B-N4, N4 80-250	112 M4	4	100	80	125	470	310	280	1030	990	20	400	340	130	110	18	1037	487
	132 S4	5.5	100	80	125	470	310	280	1030	990	20	400	340	130	110	18	1080	512
	132 MA4	7.5	100	80	125	470	310	280	1030	990	20	400	340	130	110	18	1080	512
B-N4, N4 80-315	132 MB4	9.2	100	80	125	470	360	315	1030	990	20	400	340	130	110	18	1080	562
	160 M4	11	100	80	125	470	360	315	1230	1190	20	400	340	130	110	18	1203	597
	160 L4	15	100	80	125	470	360	315	1230	1190	20	400	340	130	110	18	1203	597
B-N4, N4 80-400	180 M4	18.5	100	80	125	530	445	355	1250	840	205	480	430	115	16	24	1352	707
	180 L4	22	100	80	125	530	445	355	1250	840	205	480	430	115	16	24	1352	707
	200 L4	30	100	80	125	530	445	355	1250	840	205	480	430	115	16	24	1402	745
B-N4, N4 100-200	100 LB4	3	125	100	125	470	310	280	1030	990	20	400	340	130	110	18	1040	476
	112 M4	4	125	100	125	470	310	280	1030	990	20	400	340	130	110	18	1037	487
	132 S4	5.5	125	100	125	470	310	280	1030	990	20	400	340	130	110	18	1080	512
B-N4, N4 100-250	132 MA4	7.5	125	100	140	470	335	280	1030	990	20	400	340	130	110	18	1095	537
	132 MB4	9.2	125	100	140	470	335	280	1030	990	20	400	340	130	110	18	1095	537
B-N4, N4 100-315	160 M4	11	125	100	140	470	360	315	1230	1190	20	400	340	130	110	18	1218	597
	160 L4	15	125	100	140	470	360	315	1230	1190	20	400	340	130	110	18	1218	597
	180 M4	18.5	125	100	140	470	360	315	1360	1320	20	400	340	130	110	18	1339	622
B-N4, N4 100-400	180 L4	22	125	100	140	530	445	355	1250	840	205	480	430	115	16	24	1367	707
	200 L4	30	125	100	140	530	445	355	1250	840	205	480	430	115	16	24	1417	745
	225 S4	37	125	100	140	530	445	355	1250	840	205	480	430	115	16	24	1463	770
B-N4, N4 125-250	132 S4	5.5	150	125	140	470	360	355	1030	990	20	400	340	130	110	18	1095	562
	132 MA4	7.5	150	125	140	470	360	355	1030	990	20	400	340	130	110	18	1095	562
	132 MB4	9.2	150	125	140	470	360	355	1030	990	20	400	340	130	110	18	1095	562
	160 M4	11	150	125	140	470	360	355	1230	1190	20	400	340	130	110	18	1218	597
B-N4, N4 125-315	160 L4	15	150	125	140	470	360	355	1230	1190	20	400	340	130	110	18	1218	597
	180 M4	18.5	150	125	140	530	445	355	1250	840	205	480	430	115	16	24	1367	707
	180 L4	22	150	125	140	530	445	355	1250	840	205	480	430	115	16	24	1367	707
B-N4, N4 125-400	200 L4	30	150	125	140	530	445	355	1250	840	205	480	430	115	16	24	1417	745
	225 S4	37	150	125	140	530	480	400	1250	840	205	480	430	115	16	24	1463	805
	225 M4	45	150	125	140	530	480	400	1250	840	205	480	430	115	16	24	1463	805
B-N4, N4 150-315	250 M4	55	150	125	140	530	540	400	1400	940	230	510	450	115	17.5	24	1561	932
	180 M4	18.5	200	150	160	530	445	400	1250	840	205	480	430	115	16	24	1387	707
	180 L4	22	200	150	160	530	445	400	1250	840	205	480	430	115	16	24	1387	707
B-N4, N4 150-400	200 L4	30	200	150	160	530	445	400	1250	840	205	480	430	115	16	24	1437	745
	225 S4	37	200	150	160	530	445	400	1250	840	205	480	430	115	16	24	1483	770
	225 M4	45	200	150	160	530	480	450	1250	840	205	480	430	115	16	24	1483	805
B-N4, N4																		

Interchangeability of parts

TYPE	Bearing housing			Pump shaft					Ball bearings				Shaft sealing		
	1	2	3	I	II	III	IV	V	6207 Z 6306 Z	6207 Z 3306	6309 Z 3309	6311 Z 3311	Ø 32	Ø 40	Ø 50
N,N4 32-125	x			x					x				x		
N,N4 32-160	x				x				x				x		
N,N4 32-200	x				x				x				x		
N,N4 40-125	x				x				x				x		
N,N4 40-160	x				x				x				x		
N,N4 40-200C	x				x				x				x		
N,N4 40-200A-AR-B	x					x				x			x		
N,N4 40-250	x					x				x			x		
N,N4 50-125	x				x				x				x		
N,N4 50-160	x					x				x			x		
N,N4 50-200	x					x				x			x		
N,N4 50-250	x					x				x			x		
N 50 M	x					x				x			x		
N,N4 65-125E	x				x				x				x		
N,N4 65-125A-C	x					x				x			x		
N,N4 65-160	x					x				x			x		
N,N4 65-200	x					x				x			x		
N,N4 65-250		x					x				x			x	
N4 65-315		x						x			x			x	
N,N4 80-160	x					x				x			x		
N,N4 80-200		x					x				x			x	
N,N4 80-250		x					x				x			x	
N4 80-315		x						x			x			x	
N4 80-400			x						x			x			x
N,N4 100-200		x					x				x			x	
N,N4 100-250		x					x				x			x	
N4 100-315		x						x			x			x	
N4 100-400			x						x			x			x
N4 125-250		x					x				x			x	
N4 125-315			x					x				x			x
N4 125-400			x						x			x			x
N4 150-315			x						x			x			x
N4 150-400			x						x			x			x

Maximum permissible rotation speed

3600 rpm			3000 rpm			1800 rpm		
32-125	32-160	32-200						
40-125	40-160	40-200			40-250			
50-125	50-160	50-200			50-250			
					50 M			
65-125	65-160			65-200	65-250		65-315	
		80-200	80-160		80-250		80-315	80-400
		100-200			100-250		100-315	100-400
						125-250	125-315	125-400
							150-315	150-400

Suction pipe: recommended minimum inside diameter (DN) for different capacities (Q)

Threaded pipe	DN	G 2		G 2 1/2						
		mm	mm	mm	mm	mm	mm	mm	mm	mm
		50	65	80	100	125	150	200	250	300
Q max	m³/h	10,5	19	28,8	45	75	108	215	350	508