

SIEMENS

SIMATIC

S7-300 S7-300 Module data

Manual

Preface

General technical data

1

Power supply modules

2

Digital modules

3

Principles of analog value
processing

4

Principles of analog modules

5

Analog modules

6

Other signal modules

7

Interface modules

8

Parameter sets of signal
modules

A

Diagnostics data of signal
modules

B

Dimensional drawings

C

Spare parts and accessories
for S7-300 modules

D

Directive on handling
Electrostatic-Sensitive
Devices (ESD)

E

Service & support

F

Safety-relevant symbols

G

List of abbreviations

H




06/2017

A5E00105505-AJ

Legal information

Warning notice system

This manual contains notices you have to observe in order to ensure your personal safety, as well as to prevent damage to property. The notices referring to your personal safety are highlighted in the manual by a safety alert symbol, notices referring only to property damage have no safety alert symbol. These notices shown below are graded according to the degree of danger.

 DANGER
indicates that death or severe personal injury will result if proper precautions are not taken.
 WARNING
indicates that death or severe personal injury may result if proper precautions are not taken.
 CAUTION
indicates that minor personal injury can result if proper precautions are not taken.
NOTICE
indicates that property damage can result if proper precautions are not taken.


If more than one degree of danger is present, the warning notice representing the highest degree of danger will be used. A notice warning of injury to persons with a safety alert symbol may also include a warning relating to property damage.

Qualified Personnel

The product/system described in this documentation may be operated only by **personnel qualified** for the specific task in accordance with the relevant documentation, in particular its warning notices and safety instructions. Qualified personnel are those who, based on their training and experience, are capable of identifying risks and avoiding potential hazards when working with these products/systems.

Proper use of Siemens products

Note the following:

 WARNING
Siemens products may only be used for the applications described in the catalog and in the relevant technical documentation. If products and components from other manufacturers are used, these must be recommended or approved by Siemens. Proper transport, storage, installation, assembly, commissioning, operation and maintenance are required to ensure that the products operate safely and without any problems. The permissible ambient conditions must be complied with. The information in the relevant documentation must be observed.

Trademarks

All names identified by ® are registered trademarks of Siemens AG. The remaining trademarks in this publication may be trademarks whose use by third parties for their own purposes could violate the rights of the owner.

Disclaimer of Liability

We have reviewed the contents of this publication to ensure consistency with the hardware and software described. Since variance cannot be precluded entirely, we cannot guarantee full consistency. However, the information in this publication is reviewed regularly and any necessary corrections are included in subsequent editions.

Preface

Purpose of the manual

The information contained in this manual can be used as a reference to operating, to functions, and to the technical data of the signal modules, power supply modules and interface modules of the S7-300.

Refer to the relevant S7-300 or ET 200M manuals to find out how to assemble and wire the modules for system installation.

Basic knowledge required

This manual presumes general knowledge in the field of automation engineering.

Range of validity of this manual

The manual describes the components based on the data valid at the time of its release.

SIEMENS reserves the right to include product information for each new module of a later version.

Changes compared to the previous version

Changes / enhancements compared to the previous version described in this manual:

Comments on the previous version of this manual are included in the current edition.

Position in the overall documentation structure

The following documentation is part of the S7-300 documentation package. You can find this on the Internet (<http://support.automation.siemens.com/WW/view/en/10805159/133300>) and the corresponding entry ID.

Name of the manual	Description
Manual CPU 31xC and CPU 31x, technical data Entry ID: 12996906	Control and display elements, communication, memory concept, cycle and reaction times, technical data
Operating Instructions S7-300, CPU 31xC and CPU 31x: Installation Entry ID: 13008499	Project design, installation, wiring, addressing, commissioning, maintenance and test functions, diagnostics and troubleshooting.
System Manual PROFINET system description Entry ID: 19292127	Basic description of PROFINET: Network components, data exchange and communication, PROFINET IO, Component-based Automation, application example of PROFINET IO and Component-based Automation.

Name of the manual	Description
<p>Programming manual Migration from PROFIBUS DP to PROFINET IO Entry ID: 19289930</p>	<p>Guideline for migration from PROFIBUS DP to PROFINET IO.</p>
<p>Manual</p> <ul style="list-style-type: none"> • CPU 31xC: Technological functions Entry ID: 12429336 • CD containing examples 	<p>Description of the technological functions: positioning, counting, point-to-point coupling, loop control. The CD contains examples of the technological functions.</p>
<p>YOU ARE CURRENTLY READING the Manual S7-300 Automation System: Module Data Entry ID: 8859629</p>	<p>Description of the functions and technical data of signal/ power supply/ interface modules.</p>
<p>Instructions List</p> <ul style="list-style-type: none"> • CPU 31xC, CPU 31x, IM151-7 CPU, IM154-8 CPU, BM 147-1 CPU, BM147-2 CPU Entry ID: 13206730 • CPU 312, CPU 314, CPU 315-2 DP, CPU 315-2 PN/DP, CPU 317-2 PN/DP, CPU 319-3 PN/DP as of V3.0 Entry ID: 31977679 	<p>List of the CPU's instruction set and corresponding execution times. List of executable blocks (OBs, SFCs, SFBs) and their execution times.</p>
<p>Getting Started Available anthology of Getting Started manuals:</p> <ul style="list-style-type: none"> • S7-300 Getting Started Entry ID: 15390497 • PROFINET Getting Started Collection Entry ID: 19290251 	<p>Using concrete examples, the Getting Started documentation provides step-by-step instructions focused on commissioning a fully functional application.</p>

Other manuals on S7-300 and ET 200M

Name of the manual	Description
Reference Manual <ul style="list-style-type: none"> • CPU Data: CPU 312 IFM - 318-2 DP • Entry ID: 8860591 	Control and display elements, communication, memory concept, cycle and reaction times, technical data
Software Installation Manual S7-300 Automation System: Installation: CPU 312 IFM – 318-2 DP Entry ID: 15390415	Project design, installation, wiring, addressing, commissioning, maintenance and test functions, diagnostics and troubleshooting.
Configuration manual ET 200M signal modules for process automation Entry ID: 7215812	Description of integration in process automation, parameter configuration using SIMATIC PDM, digital input modules, digital output modules.
Manual Distributed I/O Device ET 200M HART analog modules Entry ID: 22063748	Description of configuration and commissioning of HART analog modules.
Manual Distributed I/O Device ET 200M Entry ID: 1142798	Description of configuration, assembly and wiring.
Manual SM 335 - High-speed analog mixed module for SIMATIC S7-300 Entry ID: 1398483	Description of how to use the SM 335 module in a SIMATIC S7-300. Overview of operations, descriptions of functions, and technical data relating to the SM 335.

Sign posts

The manual contains various features supporting quick access to specific information:

- At the beginning of the manual, you will find a complete table of contents.
- Key terms are explained in the glossary.
- You can use the index to find the key parts of the manual.

Approvals

See section Standards and approvals (Page 14).

CE approval

See section Standards and approvals (Page 14).

RCM (C-Tick) Declaration of conformity for Australia/New Zealand

See section Standards and approvals (Page 14).

Standards

See section Standards and approvals (Page 14).

Recycling and disposal

Since the S7-300 components only contain low levels of harmful substances, they are suitable for recycling. For ecologically compatible recycling and disposal of your old device, contact a certificated disposal service for electronic scrap.

Security information

Siemens provides products and solutions with industrial security functions that support the secure operation of plants, systems, machines and networks.

In order to protect plants, systems, machines and networks against cyber threats, it is necessary to implement – and continuously maintain – a holistic, state-of-the-art industrial security concept. Siemens' products and solutions only form one element of such a concept.

Customer is responsible to prevent unauthorized access to its plants, systems, machines and networks. Systems, machines and components should only be connected to the enterprise network or the internet if and to the extent necessary and with appropriate security measures (e.g. use of firewalls and network segmentation) in place.

Additionally, Siemens' guidance on appropriate security measures should be taken into account. For more information about industrial security, please visit (<http://www.siemens.com/industrialsecurity>).

Siemens' products and solutions undergo continuous development to make them more secure. Siemens strongly recommends to apply product updates as soon as available and to always use the latest product versions. Use of product versions that are no longer supported, and failure to apply latest updates may increase customer's exposure to cyber threats.

To stay informed about product updates, subscribe to the Siemens Industrial Security RSS Feed under (<http://www.siemens.com/industrialsecurity>).

Table of contents

	Preface	3
1	General technical data	14
1.1	Standards and approvals	14
1.2	Electromagnetic compatibility	19
1.3	Shipping and storage conditions for modules and backup batteries	21
1.4	Mechanical and climatic environmental conditions for S7-300 operation.....	23
1.5	Specification of dielectric tests, protection class, degree of protection, and rated voltage of S7-300.....	25
1.6	Rated voltages of S7-300	25
1.7	SIPLUS S7-300 Modules	26
1.8	Environmental conditions for the operation of SIPLUS S7-300 modules	30
2	Power supply modules	32
2.1	Power supply module PS 307; 2 A; (6ES7307-1BA01-0AA0).....	33
2.2	Power supply module PS 307; 5 A; (6ES7307-1EA01-0AA0).....	36
2.3	Power supply module PS 307; 10 A; (6ES7307-1KA02-0AA0).....	39
2.4	Power supply module PS 305; 2 A; (6AG1305-1BA80-2AA0)	42
2.5	Power supply module PS 307; 5 A; (6AG1307-1EA80-2AA0)	45
3	Digital modules	48
3.1	Module overview	49
3.1.1	Digital input modules:.....	49
3.1.2	Digital output modules	52
3.1.3	Relay output modules	55
3.1.4	Digital IO modules.....	56
3.2	Steps in selecting and commissioning the digital module	57
3.3	Programming digital modules	58
3.4	Diagnostics of digital modules	59
3.5	How to protect digital modules from inductive overvoltage	61
3.6	Digital input module SM 321; DI 64 x DC 24 V, sinking/sourcing; (6ES7321-1BP00-0AA0)	63
3.7	Digital input module SM 321; DI 32 x DC 24 V; (6ES7321-1BL00-0AA0).....	70
3.8	Digital output module SM 321; DI 32 x AC 120 V; (6ES7321-1EL00-0AA0).....	73
3.9	Digital input module SM 321; DI 16 x DC 24 V; (6ES7321-1BH02-0AA0)	76
3.10	Digital input module SM 321; DI 16 x DC 24 V High Speed; (6ES7321-1BH10-0AA0)	78

3.11	Digital input module SM 321; DI 16 x 24 VDC; with hardware and diagnostic interrupts (6ES7321-7BH01-0AB0).....	80
3.11.1	Isochronous mode	85
3.11.2	SM 321; DI 16 x DC 24 V - Parameters.....	86
3.11.3	SM 321; DI 16 x DC 24 V - Diagnostics.....	88
3.11.4	SM 321; DI 16 x DC 24 V - Behavior	90
3.11.5	SM 321; DI 16 x DC 24 V - Interrupts	91
3.12	Digital input module SM 321; DI 16 x DC 24/125 V; with hardware and diagnostic interrupts (6ES7321-7EH00-0AB0).....	94
3.12.1	Parameters of SM 321; DI 16 x DC 24/125 V.....	98
3.12.2	Diagnostics of SM 321; DI 16 x DC 24/125 V.....	99
3.12.3	Interrupts of SM 321; DI 16 x DC 24/125 V	100
3.13	Digital input module SM 321; DI 16 x DC 24 V; source input; (6ES7321-1BH50-0AA0)	103
3.14	Digital input module SM 321; DI 16 x UC 24/48 V; (6ES7321-1CH00-0AA0).....	105
3.15	Digital input module SM 321; DI 16 x DC 48-125 V; (6ES7321-1CH20-0AA0).....	108
3.16	Digital input module SM 321; DI 16 x AC 120/230 V; (6ES7321-1FH00-0AA0)	111
3.17	Digital input module SM 321; DI 8 x AC 120/230 V; (6ES7321-1FF01-0AA0).....	114
3.18	Digital input module SM 321; DI 8 x AC 120/230 V ISOL; (6ES7321-1FF10-0AA0).....	117
3.19	Digital output module SM 322; DO 64 x DC 24 V/0.3 A sourcing; (6ES7322-1BP00-0AA0).....	120
3.20	Digital output module SM 322; DO 64 x DC 24 V/0.3 A Sinking (6ES7322-1BP50-0AA0).....	128
3.21	Digital output module SM 322; DO 32 x DC 24 V/ 0.5 A; (6ES7322-1BL00-0AA0)	135
3.22	Digital output module SM 322; DO 32 x AC 120/230 V/1 A; (6ES7322-1FL00-0AA0).....	139
3.23	Digital output module SM 322; DO 16 x DC 24 V/ 0.5 A; (6ES7322-1BH01-0AA0).....	143
3.24	Digital output module SM 322; DO 16 x DC 24 V/0.5 A; (6ES7322-8BH10-0AB0).....	147
3.24.1	Parameters of digital output modules	152
3.24.2	Diagnosis of digital output modules	153
3.24.3	Firmware update via HW Config.....	154
3.24.4	I&M identification data.....	155
3.25	Digital output module SM 322; DO 16 x DC 24 V/0.5 A High Speed; (6ES7322-1BH10-0AA0).....	157
3.26	Digital output module SM 322; DO 16 x UC 24/48 V; (6ES7322-5GH00-0AB0).....	161
3.26.1	Parameters of digital output module SM 322 DO 16 x UC24/48 V.....	165
3.27	Digital output module SM 322; DO 16 x AC 120/230 V/1 A; (6ES7322-1FH00-0AA0)	167
3.28	Digital output module SM 322; DO 8 x DC 24 V/2 A; (6ES7322-1BF01-0AA0)	170
3.29	Digital output module SM 322; DO 8 x DC 24 V/ 0.5 A; with diagnostics interrupt; (6ES7322-8BF00-0AB0)	174
3.29.1	SM 322; DO 8 x DC 24 V/0.5 A - Parameters	178
3.29.2	SM 322; DO 8 x DC 24 V/0.5 A - Diagnostics	179
3.29.3	SM 322; DO 8 x DC 24 V/0.5 A - Behavior	181
3.29.4	SM 322; DO 8 x DC 24 V/0.5 A - Interrupts.....	182
3.30	Digital output module SM 322; DO 8 x DC 48-125 V/1.5 A; (6ES7322-1CF00-0AA0).....	183

3.31	Digital output module SM 322; DO 8 x AC 120/230 V/2 A; (6ES7322-1FF01-0AA0)	187
3.32	Digital output module SM 322; DO 8 x AC 120/230 V/2 A ISOL (6ES7322-5FF00-0AB0)	191
3.32.1	Parameters of SM 322; DO 8 x AC 120/230 V/2 A ISOL	195
3.32.2	SM 322; DO 8 x AC 120/230 V/2 A ISOL - Diagnostics	196
3.32.3	SM 322; DO 8 x AC 120/230 V/2 A ISOL - Interrupts	196
3.33	Relay output module SM 322; DO 16 x Rel. AC 120/230 V; (6ES7322-1HH01-0AA0)	198
3.34	Relay output module SM 322; DO 8 x Rel. AC 230 V; (6ES7322-1HF01-0AA0)	203
3.35	Relay output module SM 322; DO 8 x Rel. 230VAC/5A; (6ES7322-5HF00-0AB0)	208
3.35.1	Parameters of SM 322; DO 8 x Rel. AC 230V/5A	214
3.35.2	SM 322; DO 8 x Rel. AC 230V/5A - Diagnostics	214
3.35.3	SM 322; DO 8 x Rel. AC 230V/5A - Interrupts	215
3.36	Relay output module SM 322; DO 8 x Rel. AC 230 V/5 A; (6ES7322-1HF10-0AA0)	216
3.37	Digital IO module SM 323; DI 16/DO 16 x DC 24 V/0.5 A; (6ES7323-1BL00-0AA0)	222
3.38	Digital IO module SM 323; DI 8/DO 8 x DC 24 V/0.5 A; (6ES7323-1BH01-0AA0)	227
3.39	Programmable digital IO module SM 327; DI 8/DO 8 x DC 24 V/0.5 A (6ES7327-1BH00-0AB0)	231
3.39.1	Parameters of SM 327; DI 8/DO 8 x 24 VDC/0.5 A	235
3.39.1.1	Structure of data record 1 of SM 327; DI 8/DO 8 x DC 24 V/0.5 A	236
4	Principles of analog value processing	238
4.1	Overview	238
4.2	Wiring and connecting transducers to analog inputs	239
4.2.1	Wiring and connecting electrically isolated transducers	240
4.2.2	Wiring non-isolated transducers	241
4.3	Wiring and connecting voltage transducers	244
4.4	Wiring and connecting current transducers	245
4.5	Wiring and connecting resistance thermometers and resistors	247
4.6	Wiring and connecting thermocouples	249
4.6.1	Wiring and connecting thermocouples with internal compensation	253
4.6.2	Wiring and connecting thermocouples with external compensation	254
4.7	Wiring and connecting loads/actuators to analog outputs	257
4.7.1	Wiring and connecting loads/actuators to voltage outputs	258
4.7.2	Wiring and connecting loads/actuators to current outputs	260
5	Principles of analog modules	261
5.1	Representation of the values for analog input channels	262
5.2	Representation of analog values for analog output channels	279
5.3	Setting the measuring method and ranges of analog input channels	282
5.4	Response of the analog modules	285
5.4.1	Influence of the power supply and operating state	285
5.4.2	Influence of the range of analog values	287
5.4.3	Influence of operational limits and basic error limits	288

5.5	Conversion and cycle times of analog modules	289
5.6	Settling and response times of analog output channels	293
5.7	Programming analog modules	294
5.7.1	Parameters of analog input modules	294
5.8	Diagnostics of analog modules	295
5.8.1	Diagnostics messages of analog input modules	296
5.8.2	Diagnostic messages of analog output modules	296
5.8.3	Causes of error and troubleshooting at analog input modules	297
5.8.4	Causes of error and troubleshooting at analog output modules	297
5.9	Interrupts of analog modules	298
6	Analog modules	300
6.1	Analog module selection and commissioning sequence	301
6.2	Module overview	302
6.2.1	Analog input modules	302
6.2.2	Analog output modules	305
6.2.3	Analog I/O modules	306
6.3	Analog input module SM 331; AI 8 x 16 bit; (6ES7331-7NF00-0AB0)	307
6.3.1	Measurement types and ranges	313
6.3.2	Programmable parameters	314
6.3.3	Additional information on SM 331; AI 8 x 16 Bit	315
6.4	Analog input module SM 331; AI 8 x 16 Bit; (6ES7331-7NF10-0AB0)	318
6.4.1	Measurement types and measuring ranges	323
6.4.2	Programmable parameters	324
6.4.3	Additional information for SM 331; AI 8 x 16 Bit	325
6.5	Analog input module SM 331; AI 8 x 14 Bit High Speed; isochrone; (6ES7331-7HF0x-0AB0)	329
6.5.1	Measurement types and measuring ranges	334
6.5.2	Programmable parameters	336
6.5.3	Isochronous mode	337
6.5.4	Additional information on SM 331; AI 8 x 14 Bit High Speed, isochrone	339
6.6	Analog input module SM 331; AI 8 x 13 Bit; (6ES7331-1KF02-0AB0)	340
6.6.1	Measurement types and measuring ranges	348
6.6.2	Programmable parameters	348
6.6.3	Additional information on SM 331; AI 8 x 13 Bit	350
6.7	Analog input module SM 331; AI 8 x 12 bit;(6ES7331-7KF02-0AB0)	353
6.7.1	Analog input module SM 331; AI 8 x 12 bit;(6ES7331-7KF02-0AB0)	353
6.7.2	Measurement types and ranges	362
6.7.3	Programmable parameters	364
6.7.4	Additional information on SM 331; AI 8 x 12 Bit	366
6.8	Analog input module SM 331; AI 2 x 12 Bit; (6ES7331-7KB02-0AB0)	367
6.8.1	Analog input module SM 331; AI 2 x 12-bit; (6ES7331-7KB02-0AB0)	367
6.8.2	Measurement types and measuring ranges	376
6.8.3	Programmable parameters	378
6.8.4	Additional information on SM 331; AI 2 x 12 Bit	379

6.9	Analog input module SM 331; AI 8 x RTD; (6ES7331-7PF01-0AB0).....	380
6.9.1	Analog input module SM 331; AI 8 x RTD (6ES7331-7PF01-0AB0).....	380
6.9.2	Measurement types and measuring ranges	387
6.9.3	Programmable parameters	389
6.9.4	Additional information on SM 331; AI 8 x RTD	391
6.10	Analog input module SM 331; AI 8 x TC; (6ES7331-7PF11-0AB0)	396
6.10.1	Measurement types and measuring ranges	404
6.10.2	Adjustable parameters	405
6.10.3	Additional information on SM 331; AI 8 x TC.....	407
6.11	Analog input module SM 331, AI 6 x TC isolated (6ES7331-7PE10-0AB0).....	412
6.11.1	Measurement types and measuring ranges	423
6.11.2	Programmable parameters	424
6.11.3	Additional information relating to SM 331; AI 6 x TC.....	425
6.11.4	Firmware update via HW Config for analog input module SM 331; AI 6 x TC	431
6.11.5	I&M data for identifying the analog input module SM 331; AI 6 x TC.....	433
6.11.6	Calibration of analog input module SM 331; AI 6 x TC.....	434
6.12	Analog output module SM 332; AO 8 x 12 bit; (6ES7332-5HF00-0AB0)	442
6.12.1	SM 332; AO 8 x 12 Bit - Output ranges	447
6.12.2	Programmable parameters	448
6.12.3	Additional information on SM 332; AO 8 x 12 Bit	449
6.13	Analog output module SM 332; AO 4 x 16 bit; isochrone; (6ES7332-7ND02-0AB0).....	450
6.13.1	SM 332; AO 4 x 16 Bit - Output ranges	456
6.13.2	Programmable parameters	457
6.13.3	Isochronous mode	458
6.13.4	Additional information on SM 332; AO 4 x 16 Bit	459
6.14	Analog output module SM 332; AO 4 x 12 Bit; (6ES7332-5HD01-0AB0)	460
6.14.1	Output ranges of SM 332; AO 4 x 12 Bit	465
6.14.2	Programmable parameters	466
6.14.3	Additional information on SM 332; AO 4 x 12 Bit	467
6.15	Analog output module SM 332; AO 2 x 12 Bit; (6ES7332-5HB01-0AB0)	468
6.15.1	Output ranges of SM 332; AO 2 x 12 Bit	473
6.15.2	Programmable parameters	474
6.15.3	Additional information on SM 332; AO 2 x 12 Bit	475
6.16	Analog IO module SM 334; AI 4/AO 2 x 8/8 Bit; (6ES7334-0CE01-0AA0)	476
6.16.1	SM 334; AI 4/AO 2 x 8/8 Bit - Function principle	482
6.16.2	Measurement and output type of SM 334; AI 4/AO 2 x 8/8 bit.....	482
6.16.3	Measurement and output ranges of SM 334; AI 4/ AO 2 x 8/8 bit.....	483
6.16.4	Additional information on SM 334; AI 4/AO2 x 8/8 Bit.....	483
6.17	Analog IO module SM 334; AI 4/AO 2 x 12 bit; (6ES7334-0KE00-0AB0).....	484
6.17.1	Programmable parameters	490
6.17.2	Measurement types and ranges	490
6.17.3	Additional information on SM 334; AI 4/ AO 2 x 12 bit	492
7	Other signal modules	493
7.1	Module overview	493
7.2	Simulator module SM 374; IN/OUT 16; (6ES7374-2XH01-0AA0)	494
7.3	Dummy module DM 370; (6ES7370-0AA01-0AA0).....	496

7.4	Position decoder module SM 338; POS-INPUT; (6ES7338-4BC01-0AB0)	499
7.4.1	Isochronous mode	500
7.4.2	Wiring and block diagrams.....	501
7.4.3	Functions of SM 338; POS-INPUT; encoder value acquisition	502
7.4.3.1	Encoder value acquisition	502
7.4.3.2	Gray code/binary code converter.....	502
7.4.3.3	Transferred encoder value and scaling	503
7.4.3.4	Freeze function	504
7.4.4	Parametrization SM 338 POS-INPUT.....	505
7.4.5	Addressing SM 338 POS-INPUT	507
7.4.6	Diagnostics of SM 338; POS-INPUT	509
7.4.7	SM 338; POS INPUT - Interrupts.....	511
7.4.8	Technical data of SM 338; POS-INPUT	512
8	Interface modules	515
8.1	Module overview	515
8.2	Interface module IM 360; (6ES7360-3AA01-0AA0).....	516
8.3	Interface module IM 361; (6ES7361-3CA01-0AA0).....	518
8.4	Interface module IM 365; (6ES7365-0BA01-0AA0).....	520
A	Parameter sets of signal modules	522
A.1	Principles of programming signal modules in the user program.....	522
A.2	Parameters of digital IO modules.....	524
A.3	Parameters of the digital input module SM 321; DI 16 x DC 24/125 V.....	526
A.4	Parameters of digital output modules	528
A.5	Settings from the digital output module SM 322; DO 16 x DC 24 V/0.5 A (6ES7322-8BH10-0AB0).....	530
A.6	Parameters of analog input modules	534
A.7	Parameters of analog input module SM 331; AI 8 x RTD.....	538
A.8	Parameters of SM 331; AI 8 TC.....	548
A.9	Parameters of analog input module SM 331; AI 8 x 13 Bit.....	557
A.10	Setting of the analog input module SM 331; AI 8 x 16 Bit (6ES7331-7NF10-0AB0).....	560
A.11	Parameters of analog input module SM 331; AI 6 x TC isolated.....	567
A.12	Parameters of analog output modules	574
A.13	Parameters of analog output module SM 332; AO 8 x 12 Bit.....	577
A.14	Parameters of analog IO modules	580
B	Diagnostics data of signal modules	583
B.1	Evaluating diagnostic data of signal modules in the user program	583
B.2	Structure and content of diagnostics data, byte 0 and up	584
B.3	Channel-specific diagnostics data	588
B.4	Diagnosis data from the SM 322; DO 16 x DC24 V/0.5 A (6ES7322-8BH10-0AB0)	590

B.5	Diagnostics data of SM 331; AI 6 x TC isolated	593
B.6	Diagnostics data of SM 338; POS-INPUT	596
C	Dimensional drawings	598
C.1	Dimensional drawings of the mounting rails	599
C.1.1	Bus modules	605
C.2	Dimensional drawings of the power supply modules.....	606
C.3	Dimensional drawings of the interface modules	610
C.4	Dimensional drawings of the signal modules	612
C.5	Dimensional drawings of accessories.....	614
D	Spare parts and accessories for S7-300 modules.....	616
E	Directive on handling Electrostatic-Sensitive Devices (ESD).....	619
E.1	Definition of ESD.....	619
E.2	Electrostatic charging of the body.....	620
E.3	Basic protective measures against electrostatic discharge	621
F	Service & support.....	622
F.1	Service & support.....	622
G	Safety-relevant symbols	623
G.1	Safety-related symbols for devices without Ex protection	623
G.2	Safety-related symbols for devices with Ex protection	624
H	List of abbreviations	626
H.1	List of abbreviations	626
	Glossary	628
	Index.....	638

General technical data

1.1 Standards and approvals

Introduction

Contents of general technical data:

- standards and test values satisfied by modules of the S7-300 automation system
- test criteria of S7-300 modules.

Note

Information on the nameplate

You will find the current labels and approvals on the nameplate of the respective modules.

Safety guidelines

 WARNING
--

Personal injury and damage to property may occur.

In potentially explosive environments, there is a risk of injury or damage if you disconnect any connectors while the S7-300 is in operation.

Always isolate the S7-300 operated in such areas before you disconnect and connectors.

 WARNING
--

Explosion hazard

If you replace components, compliance with Class I, DIV 2 may become invalid.

 WARNING
--

The S7-300 module is only suitable for use in Class I, Div. 2, Group A, B, C, D, or in non-hazardous areas.

Test symbols and their significance

The test symbols and their meanings are described in the following section.

CE Label



The S7-300 automation system satisfies the requirements and protection goals of the following EC directives, and conforms with the harmonized European standards (EN) for programmable logic controllers announced in the Official Journals of the European Community:

- 2014/35/EU "Electrical equipment designed for use within certain voltage limits" (Low-Voltage Directive)
- 2014/30/EU "Electromagnetic Compatibility" (EMC Directive)
- 2014/34/EU "Equipment and protective systems intended for use in potentially explosive atmospheres" (Explosion Protection Directive)
- 2011/65/EU "Restriction of the use of certain hazardous substances in electrical and electronic equipment" (RoHS Directive)

The EC declaration of conformity is held on file available to competent authorities at:

Siemens Aktiengesellschaft
Digital Factory
Factory Automation

DF FA AS SYS
P.O. Box 1963
D-92209 Amberg, Germany

You can also download this under the keyword "Declaration of conformity" on the Internet (<http://support.automation.siemens.com/WW/view/en/37217116/134200>).

UL approval



Underwriters Laboratories Inc., complying with

- UL 508 (Industrial Control Equipment)

CSA approval



Canadian Standards Association to

- C22.2 No. 142 (Process Control Equipment)

or

cULus approval



Underwriters Laboratories Inc. complying with

- UL 508 (Industrial Control Equipment)
- CSA C22.2 No. 142 (Process Control Equipment)

or

cULus HAZ. LOC. approval



HAZ. LOC.

Underwriters Laboratories Inc., complying with

- UL 508 (Industrial Control Equipment)
- UL 1604 (Hazardous Location)
- CSA C22.2 No. 142 (Process Control Equipment)
- CSA C22.2 No. 213 (Hazardous Location)

APPROVED for use in

Class I, Division 2, Group A, B, C, D Tx;

Class I, Zone 2, Group IIC Tx

FM approval



Factory Mutual Research (FM) in accordance with
Approval Standard Class Number 3611, 3600, 3810
APPROVED for use in

Class I, Division 2, Group A, B, C, D Tx;
Class I, Zone 2, Group IIC Tx

ATEX approval



In accordance with EN 60079-15 (Electrical Apparatus for Potentially Explosive Atmospheres; Type of Protection "n") and EN 60079-0 (Electrical apparatus for potentially explosive gas atmospheres - Part 0: General Requirements)



II 3 G Ex nA II T4..T6

RCM (C-Tick) Declaration of conformity for Australia/New Zealand



The automation system S7-300 fulfills the requirements of the standards

- AS/NZS 61000.6.4
- IEC 61000-6-4.

IEC 61131

The automation system S7-300 fulfills the requirements and criteria of the IEC 61131-2 standard (Programmable Controllers, Part 2: Equipment requirements and tests).

Marine approval

Classification societies:

- ABS (American Bureau of Shipping)
- BV (Bureau Veritas)
- DNV-GL (Det Norske Veritas-Germanischer Lloyd)
- LRS (Lloyds Register of Shipping)
- Class NK (Nippon Kaiji Kyokai)
- CCS (China Classification Society)

Use in industrial environments

SIMATIC products are designed for industrial applications.

Table 1- 1 Use in industrial environments

Field of application	Noise emission requirements	Noise immunity requirements
Industry	EN 61000-6-4: 2007	EN 61000-6-2: 2005

Use in residential areas / mixed areas

Note

The S7-300 automation system is intended for use in industrial areas; use in residential areas / mixed areas may have an impact on radio/TV reception.

If you use the S7-300 in residential areas / mixed areas, you must ensure observance of the Class B radio interference limit in accordance with EN 55022 regarding the emission of radio interferences.

Suitable measures for achieving the required Class B radio interference level include, for example:

- S7-300 installation in grounded switch cabinets / cubicles
- Use of noise filters in the supply lines

1.2 Electromagnetic compatibility

Definition

Electromagnetic compatibility (EMC) is the ability of an electrical installation to function satisfactorily in its electromagnetic environment without interfering with that environment.

The S7-300 modules also satisfy requirements of EMC legislation for the European domestic market. Compliance of the S7-300 system with specifications and directives on electric design is prerequisite.

Pulseshaped disturbance

The table below shows the EMC compatibility of S7 modules in areas subject to pulse-shaped disturbance.

Pulse-shaped disturbance	Test voltage	corresponds with degree of severity
Electrostatic discharge to IEC 61000-4-2	Air discharge: ± 8 kV	3
	Contact discharge ± 4 kV	2
Burst pulses (high-speed transient disturbance) to IEC 61000-4-4.	2 kV (power supply lines)	3
	2 kV (signal lines > 3 m)	3
	1 kV (signal lines < 3 m)	
High-energy single pulse (surge) to IEC 61000-4-5 External protective circuit required (refer to <i>S7-300 Automation System, Hardware and Installation</i> , Chapter "Lightning and overvoltage protection")		3
• asymmetric coupling	2 kV (power supply lines) DC with protective elements 2 kV (signal/ data line only > 3 m), with protective elements as required	
• symmetric coupling	1 kV (power supply lines) DC with protective elements 1 kV (signal/ data line only > 3 m), with protective elements as required	

Sinusoidal disturbance

The table below shows the EMC compatibility of S7-300 modules in areas subject to sinusoidal disturbance.

- HF radiation

HF radiation according to IEC 61000-4-3 Electromagnetic HF field, amplitude-modulated		Corresponds with degree of severity
80 MHz to 1,000 MHz; 1.4 GHz to 2 GHz	2.0 GHz to 2.7 GHz	3, 2, 1
10 V/m	1 V/m	
80% AM (1 kHz)		

- HF coupling

HF coupling according to IEC 61000-4-6	Corresponds with degree of severity
0.15 MHz to 80 MHz	3
10 V _{rms} unmodulated	
80% AM (1 kHz)	
150 Ω source impedance	

Emission of radio interference

Electromagnetic interference to EN 55016: Limit Value Class A (measured at a distance of 10 m).

Frequency	Noise emission
30 MHz to 230 MHz	< 40 dB (μV/m)Q
230 MHz to 1000 MHz	< 47 dB (μV/m)Q
1 GHz - 3 GHz	< 76 dB (μV/m) peak < 56 dB (μV/m) average
3 GHz - 6 GHz	< 80 dB (μV/m) peak < 60 dB (μV/m) average

Noise emission via AC mains to EN 55016: Limit value class A, Group 1.

Frequency	Noise emission
From 0.15 to 0.5 MHz	< 79 dB (μV/m)Q < 66 dB (μV/m)M
0.5 MHz to 5 MHz	< 73 dB (μV/m)Q < 60 dB (μV/m)M
5 MHz to 30 MHz	< 73 dB (μV/m)Q < 60 dB (μV/m)M

1.3 Shipping and storage conditions for modules and backup batteries

Introduction

S7-300 modules exceed the specifications regarding transport and storage conditions pursuant to IEC 61131-2. The following information applies to modules that are transported and stored in their original packaging.

The climatic conditions for temperature and humidity meet:

- IEC 60721-3-3, Class 3K7 for storage.
- IEC 60721-3-2, Class 2K4 for transport.

The mechanical conditions for individual parameters meet IEC 60721-3-2, Class 2M2.

Shipping and storage conditions for modules

Type of condition	Permissible range
Free fall (in shipping package)	≤ 1 m
Temperature	- 40 °C to + 70 °C
Barometric pressure	from 1140 to 660 hPa (corresponds to an elevation of -1000 to 3500 m)
Relative humidity	10% to 95%, no condensation
Sinusoidal oscillation to IEC 60068-2-6	5 Hz to 9 Hz: 3.5 mm 9 Hz to 150 Hz: 9.8 m/s ²
Shock to IEC 60068-2-29	250 m/s ² , 6 ms, 1000 shocks

Shipment of backup batteries

Backup batteries should always be shipped in their original package. Note the regulations governing the transport of hazardous goods. The backup battery has a lithium content of approx. 0.25 g.

Storing backup batteries

Always store backup batteries in a cool and dry place. The maximum storage period is 5 years

 **WARNING**

Handling backup batteries

Improper handling of backup batteries can result in injury and damage to property. Improperly handled backup batteries may explode or cause severe burns.

Observe the following rules when handling the backup batteries used in the S7-300 automation system:

- Never charge the batteries
- Never heat the batteries
- Never throw the batteries in an open fire
- Never damage the batteries mechanically (drill, squeeze, etc.)

Note

Backup batteries

Do not dispose of batteries through household waste! Batteries are recyclable!

1.4 Mechanical and climatic environmental conditions for S7-300 operation

Operating conditions

S7-300 systems are designed for stationary use in weather-proof locations. The operating conditions are based on the requirements of DIN IEC 60721-3-3:

- Class 3M3 (mechanical requirements)
- Class 3K3 (climatic requirements)

Use with additional measures

The S7-300 may not be used under the conditions outlined below without taking additional measures:

- at locations with a high degree of ionizing radiation
- in aggressive environments caused, for example, by
 - the development of dust
 - corrosive vapors or gases
 - strong electric or magnetic fields
- in installations requiring special monitoring, for example
 - elevators
 - electrical plants in potentially hazardous areas

Mechanical environmental conditions

The table below shows the mechanical environmental conditions in the form of sinusoidal oscillations.

Frequency band	Continuous	Infrequently
10 Hz ≤ f ≤ 58 Hz	0.0375 mm amplitude	0.75 mm amplitude
58 Hz ≤ f ≤ 150 Hz	0.5 g constant acceleration	1 g constant acceleration

Reducing vibrations

If your S7-300 modules are exposed to severe shock or vibration, take appropriate measures to reduce acceleration or the amplitude.

We recommend the installation of the S7-300 on damping materials (for example, rubber-bonded-to-metal mounting.)

Test of mechanical environmental conditions

The table below provides important information with respect to the type and scope of the test of ambient mechanical conditions.

Condition tested	Test Standard	Comment
Vibration	Vibration test to IEC 60068-2-6 (sinusoidal)	Type of oscillation: Frequency sweeps with a rate of change of 1 octave/minute. 5 Hz ≤ f ≤ 9 Hz, constant amplitude 3.5 mm 9 Hz ≤ f ≤ 150Hz, constant acceleration 1 g Duration of oscillation: 10 frequency sweeps per axis at each of three vertically aligned axes
Shock	Shock, tested to IEC 60068-2-27	Type of shock: half-sine Severity of shock: 15 g peak value, 11 ms duration Direction of shock: 3 shocks in each direction (+/-) at each of three vertically aligned axes

Climatic environmental conditions

The S7-300 may be operated on following environmental conditions:

Environmental conditions	Permitted range	Comments
Temperature: horizontal mounting position: vertical mounting position:	0°C to 60°C 0°C to 40°C	-
Relative humidity	10 % to 95 %	No condensation, corresponds to relative humidity (RH) Class 2 to IEC 61131, Part 2
Barometric pressure	from 1140 to 795 hPa	Corresponds with an altitude of -1000 m to 2000 m
Concentration of pollutants	SO ₂ : < 0.5 ppm; RH < 60 %, no condensation H ₂ S: < 0.1 ppm; RH < 60 %, no condensation	Test: 10 ppm; 4 days Test: 1 ppm; 4 days
	ISA-S71.04 severity level G1; G2; G3	-

1.5 Specification of dielectric tests, protection class, degree of protection, and rated voltage of S7-300

Isolation

The isolation is designed in accordance with the requirements of EN 61131-2.

Pollution degree/overvoltage category according to IEC 61131-2: 2007

Proof of dielectric strength must be provided in the type test at a test voltage according to IEC 61131-2:

- Pollution degree 2
- Overvoltage category: II

Protection class in accordance with IEC 61131-2: 2007

The automation system S7-300 meets Protection Class I and contains parts of Protection Classes II and III.

Degree of protection IP20

Degree of protection IP 20 in accordance with IEC 60529 for all modules of the S7-300 automation system, i.e.:

- Protection against contact with standard test finger
- Protection against foreign objects with diameters greater than 12.5 mm
- No protection against water

1.6 Rated voltages of S7-300

Rated operating voltages

The S7-300 modules operate at different rated voltages. The table shows the rated voltages and corresponding tolerances.

Rated voltages	Tolerance
24 VDC	20.4 VDC to 28.8 VDC
120 VAC	93 VAC to 132 VAC
230 VAC	187 VAC to 264 VAC

1.7 SIPLUS S7-300 Modules

Definition

SIPLUS S7-300 modules can be used under extended environmental conditions. Meaning of "extended environmental conditions":

- Extended temperature range of - 25 °C to + 60 °C/70°C
- Moisture condensation/condensation permissible
- increased mechanical stress permissible

Comparison with "standard" modules

The functional scope and technical data of SIPLUS S7-300 modules and of "standard" modules are identical, with the exception of the environmental conditions.

SIPLUS S7-300 modules have a separate order number (see the table below.)

The mechanical/climatic environmental conditions and the method of testing these have changed. The SIPLUS S7-300 modules are specified:

- For deployment in harsh environmental conditions,
- For use in hostile environments.
- For extreme temperature ranges.

For more on this, read section Environmental conditions for the operation of SIPLUS S7-300 modules (Page 30).

Project design in STEP 7

SIPLUS S7-300 modules are not included in the hardware catalog. Please design your plant based on the relevant "standard" modules shown in the table below.

SIPLUS S7-300 Modules

This following table contains all SIPLUS S7-300 modules available at the time of publication.

In addition, we included the order numbers of the corresponding "standard" modules to support project design. You can refer to specifications and technical data in the special "standard" module section.

You'll find more information on SIPLUS and contact partners in the Internet (<http://www.siemens.com/siplus-extreme>).

Table 1- 2 Comparison of SIPLUS S7-300 modules and S7-300 "Standard" module

Module type	SIPLUS S7-300 modules for the use under extended environmental conditions	"Standard" modules
	as of order no.	
Power supply		
PS 305; 2A	6AG1305-1BA80-2AA0	6ES7305-1BA80-0AA0
PS 307; 5A	6AG1307-1EA80-2AA0	6ES7307-1EA80-0AA0
PS 307; 10A	6AG1307-1KA02-7AA0	6ES7307-1KA02-0AA0
Interface module		
IM 153-1	6AG1153-1AA03-2XB0	6ES7153-1AA03-0XB0
IM 365	6AG1365-0BA01-2AA0	6ES7365-0BA01-0AA0
Separator module	6AG1195-7KF00-2XA0	6ES7195-7KF00-0XA0

Module type	SIPLUS S7-300 modules for the use under extended environmental conditions	"Standard" modules
as of order no.		
Central module CPU 312C (EN50155) CPU 312C CPU 313C (EN50155) CPU 313C CPU 313C-2DP (EN50155) CPU 313C-2DP CPU 314 (EN50155) CPU 314 CPU 314C CPU 314C-2DP (EN50155) CPU 314C-2DP CPU314C-2PN/DP CPU 315-2DP (EN50155) CPU 315-2DP CPU 315-2PN/DP (EN50155) CPU 315-2PN/DP CPU 315F-2PN/DP CPU 315F-2PN/DP (EN50155) CPU 315F-2DP CPU 315F-2DP (EN50155) CPU 317-2PN/DP (EN50155) CPU 317-2PN/DP CPU 317F-2PN/DP CPU 317F-2PN/DP (EN50155) CPU 317F-2DP	6AG1312-5BF04-2AY0 6AG1312-5BF04-7AB0 6AG1313-5BG04-2AY0 6AG1313-5BG04-7AB0 6AG1313-6CG04-2AY0 6AG1313-6CG04-7AB0 6AG1314-1AG14-2AY0 6AG1314-1AG14-7AB0 6AG1314-6BH04-7AB0 6AG1314-6CH04-2AY0 6AG1314-6CH04-7AB0 6AG1314-6EH04-7AB0 6AG1315-2AH14-2AY0 6AG1315-2AH14-7AB0 6AG1315-2EH14-2AY0 6AG1315-2EH14-7AB0 6AG1315-2FJ14-2AB0 6AG1315-2FJ14-2AY0 6AG1315-6FF04-2AB0 6AG1315-6FF04-2AY0 6AG1317-2EK14-2AY0 6AG1317-2EK14-7AB0 6AG1317-2FK14-2AB0 6AG1317-2FK14-2AY0 6AG1317-6FF04-2AB0	6ES7312-5BF04-0AB0 6ES7312-5BF04-0AB0 6ES7313-5BG04-0AB0 6ES7313-5BG04-0AB0 6ES7313-6CG04-0AB0 6ES7313-6CG04-0AB0 6ES7314-1AG14-0AB0 6ES7314-1AG14-0AB0 6ES7314-6BH04-0AB0 6ES7314-6CH04-0AB0 6ES7314-6CH04-0AB0 6ES7314-6EH04-0AB0 6ES7315-2AH14-0AB0 6ES7315-2AH14-0AB0 6ES7315-2EH14-0AB0 6ES7315-2EH14-0AB0 6ES7315-2FJ14-0AB0 6ES7315-2FJ14-0AB0 6ES7315-6FF04-0AB0 6ES7315-6FF04-0AB0 6ES7317-2EK14-0AB0 6ES7317-2EK14-0AB0 6ES7317-2FK14-0AB0 6ES7317-2FK14-0AB0 6ES7317-6FF04-0AB0
Digital input module SM 321; DI 16 x DC 24V SM 321; DI 32 x DC 24V SM 321; DI 16 x DC 24V SM 321; DI 8 x AC 120/230V SM 321; DI 16 x DC 48 V-125V SM 321; DI 8 x AC 120/220 V SM 321; DI 4 NAMUR SM 321; DI 16 x DC 24V	6AG1321-1BH02-2AA0 6AG1321-1BL00-2AA0 6AG1321-7BH01-2AB0 6AG1321-1FF10-7AA0 6AG1321-1CH20-2AA0 6AG1321-1FF01-2AA0 6AG1321-7RD00-4AB0 6AG1321-7TH00-4AB0	6ES7321-1BH02-0AA0 6ES7321-1BL00-0AA0 6ES7321-7BH01-0AB0 6ES7321-1FF10-0AA0 6ES7321-1CH20-0AA0 6ES7321-1FF01-0AA0 6ES7321-7RD00-0AB0 6ES7321-7TH00-0AB0

Module type	SIPLUS S7-300 modules for the use under extended environmental conditions	"Standard" modules
	as of order no.	
Digital output module SM 322; DO 16 x DC 24V/0.5A SM 322; DO 8 x Rel. 230 V AC / 5A SM 322; DO 8 x DC 48-125 V/1.5 A SM 322; DO 8 x AC 120/230V/2A SM 322; DO 8 x DC 24V/0.5A SM 322; DO 8 x DC 24V SM 322; DO 32 x DC 24 V/0.5 A SM 322; DO 16 x AC 120/230V/1 A SM 322; DO 16 RELAY SM 322; DO 8 x AC 120/230 V, 2 A SM 322; DO 8 RELAY SM 322; DO 16 x DC 24V	6AG1322-1BH01-2AA0 6AG1322-1HF10-2AA0 6AG1322-1CF00-7AA0 6AG1322-1FF01-7AA0 6AG1322-8BF00-2AB0 6AG1322-1BF01-2XB0 6AG1322-1BL00-2AA0 6AG1322-1FH00-7AA0 6AG1322-1HH01-2AA0 6AG1322-5FF00-4AB0 6AG1322-5HF00-4AB0 6AG1322-8BH10-7AB0	6ES7322-1BH01-0AA0 6ES7322-1HF10-0AA0 6ES7322-1CF00-0AA0 6ES7322-1FF01-0AA0 6ES7322-8BF00-0AB0 6ES7322-1BF01-0AA0 6ES7322-1BL00-0AA0 6ES7322-1FH00-0AA0 6ES7322-1HH01-0AA0 6ES7322-5FF00-0AB0 6ES7322-5HF00-0AB0 6ES7322-8BH10-0AB0
Digital I/O module SM 323; DI8/DO8 x DC 24V/0.5A	6AG1323-1BH01-2AA0	6ES7323-1BH01-0AA0
Analog input module SM 331; AI 2 x 12Bit SM 331; AI 8 x 13 Bit SM 331; AI 8 x 13 Bit SM 331; AI 8 x 12 Bit SM 331; AI 8 x 16 Bit SM 331; AI 8 x 16 Bit SM 331; AI 8 x 13 Bit SM 331; AI 8 x 13-bit SM 331; AI 4 x 0/4-20 mA SM 331; AI 8 Thermo / AI 4 PT 100 SM 331; AI 2 HART SM 331; AI 8 x 0/4 to mA HART	6AG1331-7KB02-2AB0 6AG1331-1KF02-4AB0 6AG1331-1KF02-7AB0 6AG1331-7KF02-2AB0 6AG1331-7NF00-2AB0 6AG1331-7NF10-2AB0 6AG1331-7PF11-4AB0 6AG1331-7PF01-4AB0 6AG1331-7RD00-2AB0 6AG1331-7SF00-4AB0 6AG1331-7TB00-7AB0 6AG1331-7TF01-7AB0	6ES7331-7KB02-0AB0 6ES7331-1KF02-0AB0 6ES7331-1KF02-0AB0 6ES7331-7KF02-0AB0 6ES7331-7NF00-0AB0 6ES7331-7NF10-0AB0 6ES7331-7PF11-0AB0 6ES7331-7PF11-0AB0 6ES7331-7RD00-0AB0 6ES7331-7SF00-0AB0 6ES7331-7TB00-0AB0 6ES7331-7TF01-0AB0
Analog output module SM 332; AO 2 x 12 bit SM 332; AO 4 x 12 bit SM 332; AO 8 x 12 bit SM 332; AO 8 x 0/4 - 20 mA HART SM 332; AO 4 x 16 bit	6AG1332-5HB01-2AB0 6AG1332-5HD01-7AB0 6AG1332-5HF00-2AB0 6AG1332-8TF01-2AB0 6AG1332-7ND02-4AB0	6ES7332-5HB01-0AB0 6ES7332-5HD01-0AB0 6ES7332-5HF00-0AB0 6ES7332-8TF01-0AB0 6ES7332-7ND02-0AB0
Analog IO module SM 334; AI 4/AO 2 x 12 Bit	6AG1334-0KE00-7AB0	6ES7334-0KE00-0AB0

1.8 Environmental conditions for the operation of SIPLUS S7-300 modules

Mechanical environmental conditions

Application class: according to IEC 721-3-3, Class 3M4.

Test of mechanical environmental conditions

The table provides information on the type and scope of the test of mechanical environmental conditions for SIPLUS S7-300 modules.

Table 1- 3 SIPLUS S7-300 Modules: Test of mechanical environmental conditions

Condition tested	Test Standard	Remarks
Vibration	Vibration test acc. to IEC 60068-2-6 (sinusoidal)	Type of oscillation: Frequency sweep at a rate of change of 1 octave/minute. 5 Hz ≤ f ≤ 9 Hz, constant Amplitude 3.5 mm 9 Hz ≤ f ≤ 150 Hz, constant Acceleration 1 g duration of oscillation: 10 frequency sweeps at each of three vertically aligned axes
Shock	Shock, tested acc. to IEC 60068-2-27	Type of shock: Half-sine Severity of shock: 15 g peak value, 11 ms duration Direction of shock: 3 shocks each in +/- direction in each of the three vertically aligned axes

Environmental conditions

Operating category: to IEC 721 -3-3, Class 3K5.

The SIPLUS S7-300 modules may also be used under the following climatic, chemical, biological and mechanical environmental conditions:

Table 1- 4 SIPLUS S7-300 Modules: Environmental conditions

Environmental conditions	Permitted range
Temperature: Horizontal mounting position: Vertical mounting position:	-25 °C to +60 °C/70°C 0°C to +40 °C
Relative humidity	5 ... 100 %, condensation / condensation allowed
Resistance against biologically active substances	Conformity with EN 60721-3-3, Class 3B2 mildew, fungi and sponge spores (excluding fauna)
Resistance against chemically active substances	Conformity with EN 60721-3-3, Class 3C4 incl. salt mist and ISA –S71.04 severity level G1; G2; G3; GX ¹⁾²⁾
Resistance against mechanically active substances	Conformity with EN 60721-3-3, Class 3S4 incl. conductive sand, dust ²⁾
Air pressure in relation to ambient temperature - air pressure - installation altitude	- 25 ... +60/70 °C at 1140 ... 795 hPa Δ -1000 ... +2000 m - 25 ... +50/60°C at 795 ... 658 hPa Δ +2000 ... +3500 m - 25 ... +40/50°C at 658 ... 540 hPa Δ +3500 ... +5000 m
Certificate of suitability as approval for rail application	--> Partly EN 50155 T1 Cat1 CI A/B

1) ISA –S71.04 severity level GX: Dauerbelastung/long-term load: SO₂ < 4.8 ppm; H₂S < 9.9 ppm; Cl < 0.2 ppm; HCl < 0.66 ppm; HF < 0.12 ppm; NH < 49 ppm; O₃ < 0.1 ppm; NO_X < 5.2 ppm
limit value (max. 30 min/d): SO₂ < 14.8 ppm; H₂S < 49.7 ppm; Cl < 1.0 ppm; HCl < 3.3 ppm; HF < 2.4 ppm; NH < 247 ppm; O₃ < 1.0 ppm; NO_X < 10.4 ppm

2) When operated in harmful gas environments, the supplied plug covers must remain on the non-used port.

Power supply modules

Introduction

Various 24-VDC power supply modules are available for your S7-300 PLC and the sensors/actuators.

Power supply modules

This chapter contains the technical data of the S7-300 power supply modules.

In addition to technical data, this chapter describes:

- The characteristics
- Wiring diagram
- Block Diagram
- Line protection
- Reaction to atypical operating conditions

2.1 Power supply module PS 307; 2 A; (6ES7307-1BA01-0AA0)

Order number

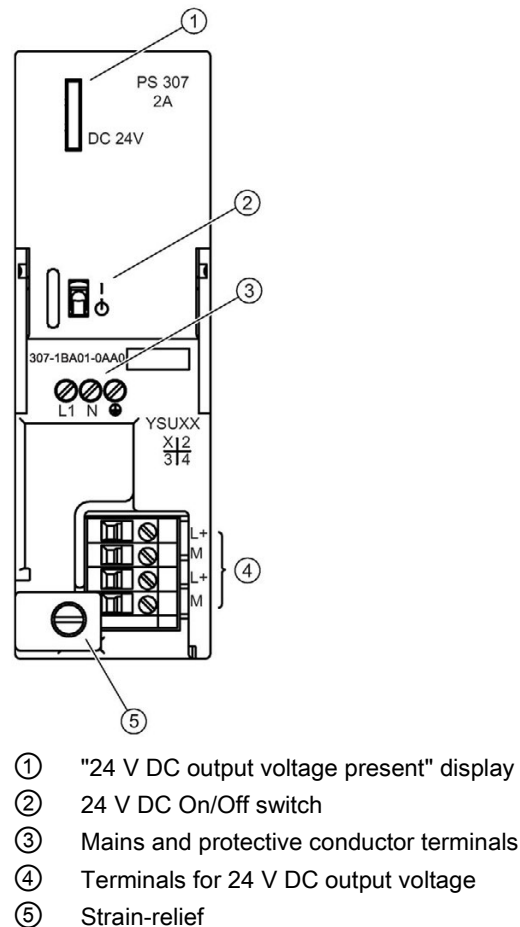
6ES7307-1BA01-0AA0

Properties

Properties of the PS 307; 2 A power supply module:

- Output current 2 A
- Output voltage 24 V DC; short circuit-proof, open circuit-proof
- Connection to singlephase AC mains
(rated input voltage 120/230 V AC, 50/60 Hz)
- safe electrical isolation in accordance with EN 60 950 (SELV)
- May be used as load power supply

Wiring diagram of PS 307; 2 A



Schematic circuit diagram of PS 307; 2 A

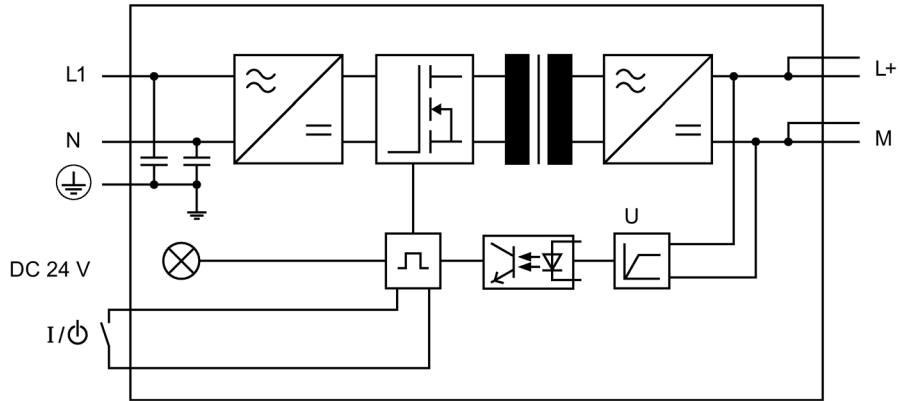


Figure 2-1 Schematic circuit diagram of power supply module PS 307; 2 A

Line protection

The mains supply of the PS 307; 2A power supply module should be protected with a miniature circuit-breaker (for example Siemens 5SN1 series) of the following rating:

- Rated current at 230 V AC: 3 A
- Tripping characteristics (type): C.

Reaction to atypical operating conditions

Table 2- 1 Reaction of the PS 307; 2A power supply module to atypical operating conditions

If then ...	24 V DC LED
the output circuit is overloaded: <ul style="list-style-type: none"> • $I > 2.6 \text{ A}$ (dynamic) • $2 \text{ A} < I \leq 2.6 \text{ A}$ (static) 	Voltage dip, automatic voltage recovery Voltage drop, reduction of service life	Flashing
short-circuit at the output	Output voltage 0 V; automatic voltage recovery after short-circuit is eliminated	off
overvoltage on primary side	risk of destruction	-
undervoltage on primary side	Automatic shutdown; automatic voltage recovery	off

Technical specifications of the PS 307; 2 A (6ES7307-1BA01-0AA0)

Technical specifications	
Dimensions and weight	
Dimensions W x H x D (mm)	40 x 125 x 120
Weight	ca. 400 g
Input parameters	
Input voltage	120/230 V AC (automatic switching)
<ul style="list-style-type: none"> Rated value 	
Mains frequency	
<ul style="list-style-type: none"> Rated value Permitted range 	50 Hz or 60 Hz 47 Hz to 63 Hz
Rated input current	0.5 A 0.9 A
<ul style="list-style-type: none"> at 230 V at 120 V 	
Inrush current (at 25 °C)	22 A
I ² t (at inrush current)	1 A ² s
Output parameters	
Output voltage	24 V DC 24 V ± 3 %, open-circuit test max. 2.5 s
<ul style="list-style-type: none"> Rated value Permitted range 	
<ul style="list-style-type: none"> Rampup time 	
Output current	2 A, parallel wiring supported
<ul style="list-style-type: none"> Rated value 	
Short-circuit protection	electronic, non-latching 1.1 to 1.3 x I _N
Residual ripple	max. 150 mV _{pp}
Characteristics	
Safety class to IEC 536 (DIN VDE 0106, Part 1)	I, with protective conductor
Isolation rating	250 V AC 4200 V DC
<ul style="list-style-type: none"> Rated isolation voltage (24 V to L1) Test voltage 	
Safety isolation	SELV circuit
Buffering of power supply failure (at 93 V or 187 V)	min. 20 ms
<ul style="list-style-type: none"> Repeat rate 	min 1 s
Efficiency	84 %
Power consumption	57 W
Power loss	Typ. 9 W
Diagnostics	
"Output voltage present" display	yes, green LED

2.2 Power supply module PS 307; 5 A; (6ES7307-1EA01-0AA0)

Order number

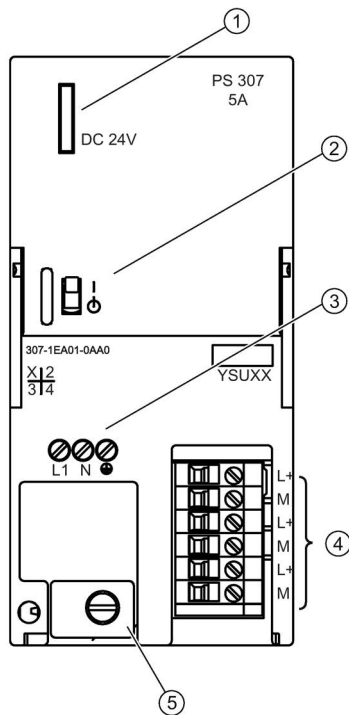
6ES7307-1EA01-0AA0

Properties

Properties of the PS 307; 5 A power supply module:

- Output current 5 A
- Output voltage 24 V DC; short circuit-proof, open circuit-proof
- Connection to singlephase AC mains
(rated input voltage 120/230 V AC, 50/60 Hz)
- safe electrical isolation in accordance with EN 60 950 (SELV)
- May be used as load power supply

Wiring diagram of PS 307; 5 A



- ① Display for "Output voltage DC 24 V present"
- ② 24 V DC On/Off switch
- ③ Mains and protective conductor terminals
- ④ Terminals for 24 V DC output voltage
- ⑤ Strain-relief

Block diagram PS 307; 5 A

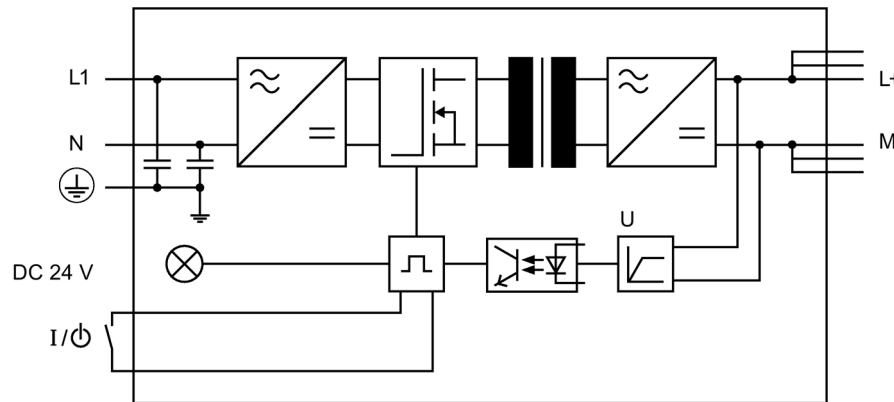


Figure 2-2 Block diagram of the PS 307; 5 A power supply module

Line protection

The mains supplies of the PS 307; 5 A power supply module should be protected with a miniature circuit-breaker (for example Siemens 5SN1 series) of the following rating:

- Rated current at 230 V AC: 6 A
- Tripping characteristics (type): C.

Reaction to atypical operating conditions

Table 2- 2 Reaction to atypical operating conditions of the PS 307; 5 A power supply module

If then ...	DisplayDC 24 V
the output circuit is overloaded: <ul style="list-style-type: none"> • $I > 6.5 \text{ A}$ (dynamic) • $5 \text{ A} < I \leq 6.5 \text{ A}$ (static) 	Voltage dip, automatic voltage recovery Voltage drop, reduction of service life	flashes
short-circuit at the output	Output voltage 0 V; automatic voltage recovery after short-circuit is eliminated	off
overvoltage on primary side	risk of destruction	-
undervoltage on primary side	Automatic shutdown; automatic voltage recovery	off

Technical specifications of PS 307; 5 A (6ES7307-1EA01-0AA0)

Technical specifications	
Dimensions and weight	
Dimensions W x H x D (mm)	60 x 125 x 120
Weight	ca. 600 g
Input parameters	
Input voltage • Rated value	120/230 V AC (automatic switching)
Mains frequency • Rated value • Permitted range	50 Hz or 60 Hz 47 Hz to 63 Hz
Rated input current • at 120 V • at 230 V	2.3 A 1.2 A
Inrush current (at 25 °C)	20 A
I ² t (at inrush current)	1.2 A ² s
Output parameters	
Output voltage • Rated value • Permitted range	24 V DC 24 V ± 3 %, open circuit-proof
• Rampup time	max. 2.5 s
Output current • Rated value	5 A, parallel wiring is available
Short-circuit protection	electronic, non-latching 1.1 to 1.3 x I _N
Residual ripple	max. 150 mV _{pp}
Characteristics	
Safety class to IEC 536 (DIN VDE 0106, Part 1)	I, with protective conductor
Isolation rating • Rated isolation voltage (24 V to L1) • Test voltage	250 V AC 4200 V DC
Safety isolation	SELV circuit
Buffering of power supply failure (at 93 V or 187 V) • Repeat rate	Min. 20 ms min 1 s
Efficiency	87 %
Power consumption	138 W
Power loss	typ. 18 W
Diagnostics	
"Output voltage present" display	yes, green LED

2.3 Power supply module PS 307; 10 A; (6ES7307-1KA02-0AA0)

Order number

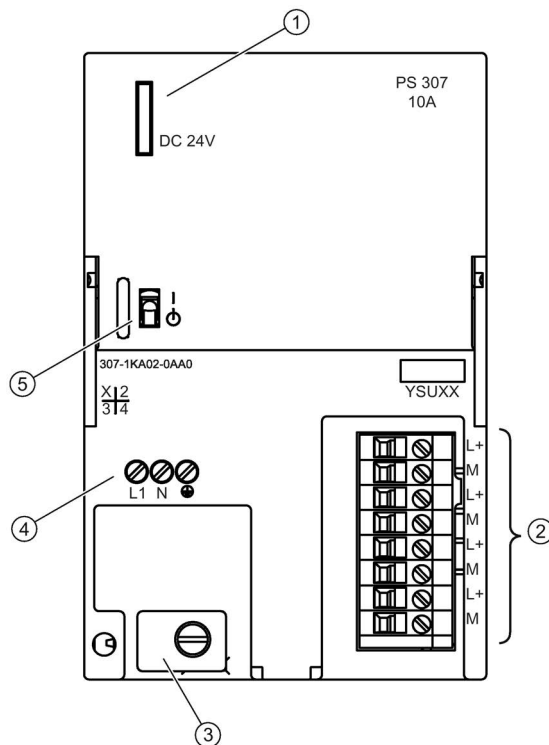
6ES7307-1KA02-0AA0

Properties

Properties of the PS 307; 10 A power supply module:

- Output current 10 A
- Output voltage 24 V DC; short circuit-proof, open circuit-proof
- Connection to singlephase AC mains
(rated input voltage 120/230 V AC, 50/60 Hz)
- safe electrical isolation in accordance with EN 60 950 (SELV)
- May be used as load power supply

Block diagram of PS 307; 10 A



- ① Display for "Output voltage DC 24 V present"
- ② Terminals for 24 V DC output voltage
- ③ Strain-relief
- ④ Mains and protective conductor terminals
- ⑤ 24 V DC On/Off switch

Block diagram PS 307; 10 A

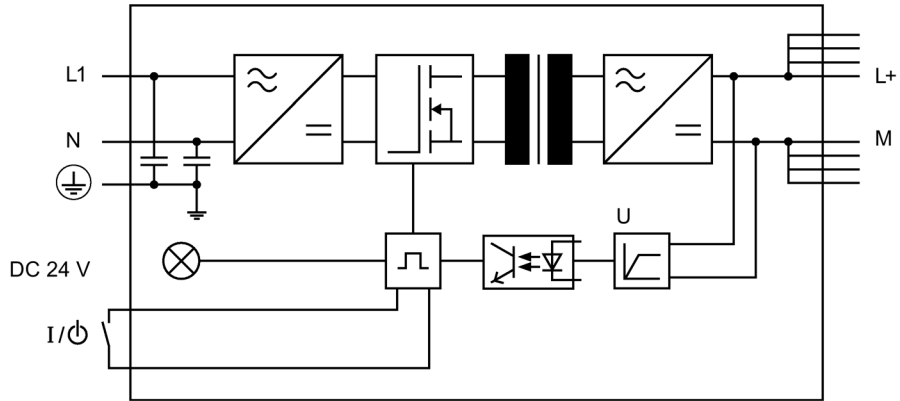


Figure 2-3 Block diagram of the PS 307; 10 A power supply module

Line protection

The mains supplies of the PS 307;10 A power supply module should be protected with a miniature circuit-breaker (for example Siemens 5SN1 series) of the following rating:

- Rated current at 230 V AC: 10 A
- Tripping characteristics (type): C.

Reaction to atypical operating conditions

Table 2- 3 Reaction to atypical operating conditions of the PS 307; 10 A power supply module

If ...	Module reaction	DisplayDC 24 V
.output circuit is overloaded: <ul style="list-style-type: none"> • $I > 13 \text{ A}$ (dynamic) • $10 \text{ A} < I \leq 13 \text{ A}$ (static) 	Voltage dip, automatic voltage recovery Voltage drop (reduction of service life)	flashes
short-circuit at the output	Output voltage 0 V; automatic voltage recovery after short-circuit is eliminated	off
overvoltage on primary side	risk of destruction	-
undervoltage on primary side	Automatic shutdown; automatic voltage recovery	off

Technical specifications of PS 307; 10 A (6ES7307-1KA02-0AA0)

Technical specifications	
Dimensions and weight	
Dimensions W x H x D (mm)	80 x 125 x 120
Weight	800 g
Input parameters	
Input voltage	
• Rated value	120/230 V AC (automatic switching)
Mains frequency	
• Rated value	50 Hz or 60 Hz
• Permitted range	47 Hz to 63 Hz
Rated input current	
• at 230 V	1.9 A
• at 120 V	4.2 A
Inrush current (at 25 °C)	55 A
I ² t (at inrush current)	3.3 A ² s
Output parameters	
Output voltage	
• Rated value	24 V DC
• Permitted range	24 V ± 3 %, open-circuit test
• Rampup time	max. 2.5 s
Output current	
• Rated value	10 A, parallel wiring is available
Short-circuit protection	electronic, non-latching 1.1 to 1.3 x I _N
Residual ripple	max. 150 mV _{pp}
Characteristics	
Safety class to IEC 536 (DIN VDE 0106, Part 1)	I, with protective conductor
Isolation rating	
• Rated isolation voltage (24 V to L1)	250 V AC
• Test voltage	4200 V DC
Safety isolation	SELV circuit
Buffering of power supply failure (at 93 V or 187 V)	Min. 20 ms
• Repeat rate	min 1 s
Efficiency	90 %
Power consumption	267 W
Power loss	typ. 27 W
Diagnostics	
"Output voltage present" display	yes, green LED

2.4 Power supply module PS 305; 2 A; (6AG1305-1BA80-2AA0)

Order number "SIPLUS S7-300 module"

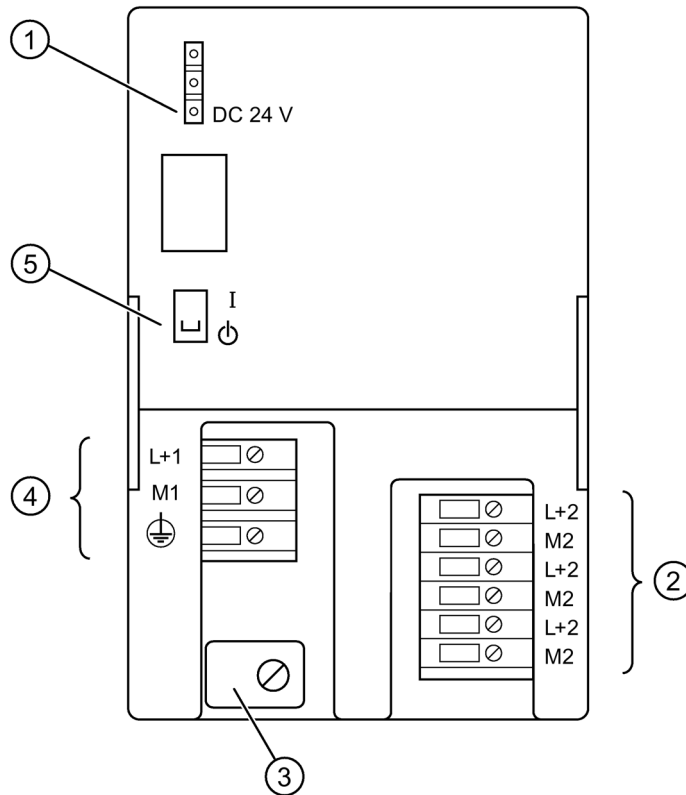
6AG1305-1BA80-2AA0

Properties

Properties of the PS 305 power supply module (2 A):

- Output current 2 A
- Output voltage 24 V DC; short circuit-proof, open circuit-proof
- Connection to DC power supply
(rated input voltage 24/48/72/96/110 V DC)
- safe electrical isolation in accordance with EN 60 950 (SELV)
- May be used as load power supply

Wiring diagram of PS 305; 2 A



- ① "24 V DC output voltage present" display
- ② Terminals for 24 V DC output voltage
- ③ Strain relief
- ④ Mains and protective conductor terminals
- ⑤ 24 V DC On/Off switch

Schematic circuit diagram of PS 305; 2 A

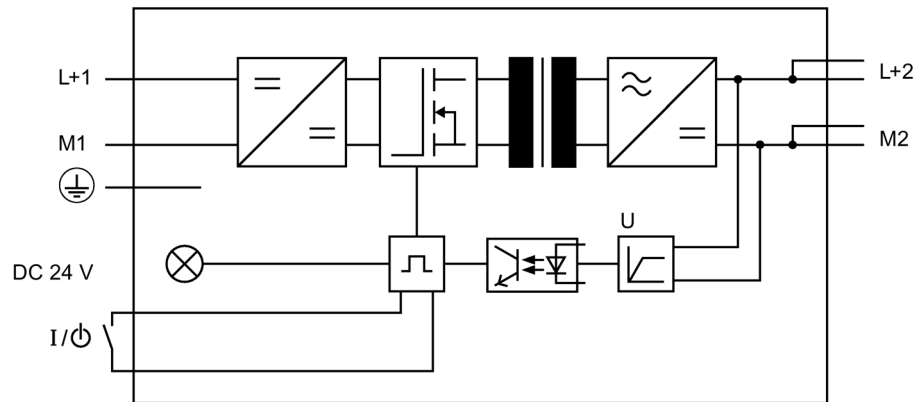


Figure 2-4 Schematic circuit diagram of power supply module PS 305; 2 A

Line protection

The mains supply of the PS 305 power supply module (2 A) should be protected with a miniature circuit-breaker (for example Siemens 5SN1 series) of the following rating:

- Rated current at 110 V DC: 10 A
- Tripping characteristics (type): C.

Reaction to atypical operating conditions

Table 2- 4 Reaction of the PS 305;(2 A) power supply module to atypical operating conditions

If then ...	24 V DC LED
... the output circuit is overloaded: • $I > 3.9 \text{ A}$ (dynamic) • $3 \text{ A} < I \leq 3.9 \text{ A}$ (static)	Voltage dip, automatic voltage recovery Voltage drop, reduction of service life	Flashing
... short-circuit at the output	Output voltage 0 V; automatic voltage recovery after short-circuit is eliminated	off
overvoltage on primary side	risk of destruction	-
undervoltage on primary side	Automatic shutdown; automatic voltage recovery	off

Technical specifications of the PS 305; 2 A (6AG1305-1BA80-2AA0)

Technical specifications	
Dimensions and weight	
Dimensions W x H x D (mm)	80 x 125 x 120
Weight	ca. 740 g
Input parameters	
Input voltage	
<ul style="list-style-type: none"> Rated value Voltage range 	24/48/72/96/110 V DC 16.8 to 138 V DC
Rated input current	
<ul style="list-style-type: none"> at 24 V at 48 V at 72 V at 96 V at 110 V 	2.7 A 1.3 A 0.9 A 0.65 A 0.6 A
Inrush current (at 25 °C)	20 A
I ² t (at inrush current)	5 A ² s
Output parameters	
Output voltage	
<ul style="list-style-type: none"> Rated value Permitted range 	24 V DC 24 V ± 3 %, open circuit-proof
<ul style="list-style-type: none"> Rampup time 	max. 3 s
Output current	
<ul style="list-style-type: none"> Rated value 	2 A; ¹⁾ parallel connection supported
Short-circuit protection	electronic, non-latching, 1.65 to 1.95 x I _N
Residual ripple	max. 150 mV _{pp}
Characteristics	
Safety class to IEC 536 (DIN VDE 0106, Part 1)	I, with protective conductor
Isolation rating	
<ul style="list-style-type: none"> Rated isolation voltage (24 V to input) 	150 V AC
<ul style="list-style-type: none"> Test voltage 	2800 V DC
Safety isolation	SELV circuit
Buffering of power supply failure (at 24/48/72/96/110 V)	> 10 ms
<ul style="list-style-type: none"> Repeat rate 	min. 1 s
Efficiency	75%
Power consumption	64 W
Power loss	16 W
Diagnostics	
"Output voltage present" display	yes, green LED

¹⁾ At a limited input voltage range > 24 V (24 to 138 V DC), PS 305 can be loaded to 3 A.

2.5 Power supply module PS 307; 5 A; (6AG1307-1EA80-2AA0)

Order number "SIPLUS S7 module"

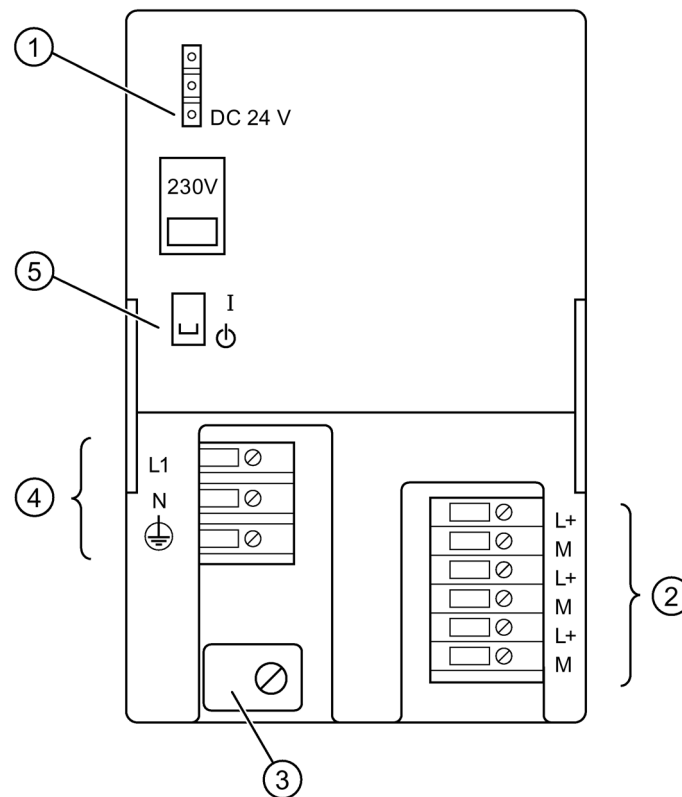
6AG1307-1EA80-2AA0

Properties

Properties of the PS 307; 5 A power supply module:

- Output current 5 A
- Output voltage 24 V DC; short circuit-proof, open circuit-proof
- Connection to singlephase AC mains
(rated input voltage 120/230 V AC, 50/60 Hz)
- safe electrical isolation in accordance with EN 60 950 (SELV)
- May be used as load power supply

Wiring diagram of PS 307; 5 A



- ① "24 V DC output voltage present" display
- ② Terminals for 24 V DC output voltage
- ③ Strain relief
- ④ Mains and protective conductor terminals
- ⑤ 24 V DC On/Off switch
- ⑥ Mains selector switch

Schematic circuit diagram of PS 307; 5 A

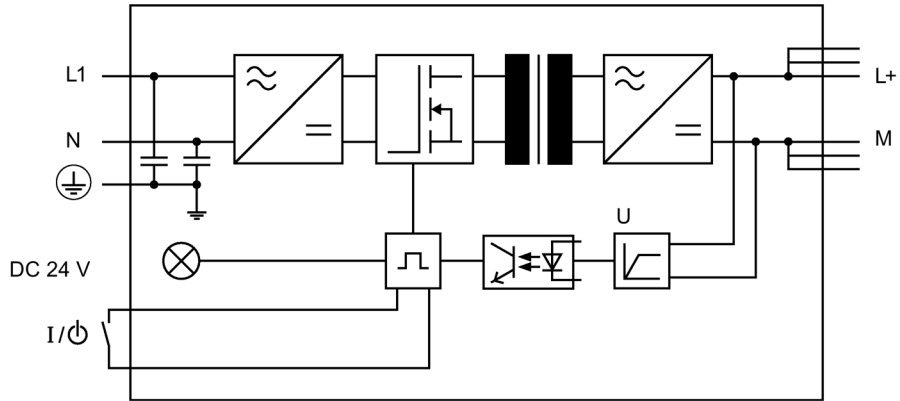


Figure 2-5 Schematic circuit diagram of power supply module PS 307; 5 A

Line protection

To protect the mains supply line of the PS 307; 5 A power supply module, you should install a miniature circuit-breaker (for example Siemens 5SN1 series) of the following rating:

- Rated current at 230 V AC: 10 A
- Tripping characteristics (type): C.

Reaction to atypical operating conditions

Table 2- 5 Reaction of the PS 307; 5A power supply module to atypical operating conditions

If then ...	24 V DC LED
the output circuit is overloaded: <ul style="list-style-type: none"> • $I > 6.5 \text{ A}$ (dynamic) • $5 \text{ A} < I \leq 6.5 \text{ A}$ (static) 	Voltage dip, automatic voltage recovery Voltage drop, reduction of service life	Flashing
short-circuit at the output	Output voltage 0 V; automatic voltage recovery after short-circuit is eliminated	off
overvoltage on primary side	risk of destruction	-
undervoltage on primary side	Automatic shutdown; automatic voltage recovery	off

Technical specifications of the PS 307; 5 A (6AG1307-1EA80-2AA0)

Technical specifications	
Dimensions and weight	
Dimensions W x H x D (mm)	80 x 125 x 120
Weight	ca. 570 g
Input parameters	
Input voltage	
• Rated value	120/230 V DC
Mains frequency	
• Rated value	50 Hz or 60 Hz
• Permitted range	47 Hz to 63 Hz
Rated input current	
• at 120 V	2.1 A
• at 230 V	1.2 A
Inrush current (at 25 °C)	45 A
I^2t (at inrush current)	1.8 A ² s
Output parameters	
Output voltage	
• Rated value	24 V DC
• Permitted range	24 ± V 3 %
• Rampup time	max. 3 s
Output current	
• Rated value	5 A; parallel wiring not supported
Short-circuit protection	electronic, non-latching 1.1 to 1.3 x I _N
Residual ripple	max. 150 mV _{pp}
Characteristics	
Safety class to IEC 536 (DIN VDE 0106, Part 1)	I, with protective conductor
Isolation rating	
• Rated isolation voltage (24 V to L1)	250 V AC
• Test voltage	2800 V DC
Safety isolation	SELV circuit
Buffering of power supply failure (at 93 V or 187 V)	min. 20 ms
• Repeat rate	min. 1 s
Efficiency	84 %
Power consumption	143 W
Power loss	23 W
Diagnostics	
"Output voltage present" display	yes, green LED

Digital modules

Chapter layout

Topical structure of this chapter:

1. Chapter overview of which modules are available and described here
2. Overview of essential module properties
3. Steps in selecting and commissioning the digital module
4. General information, i.e. global data applicable to all digital modules (parameter assignment and diagnostics, for example)
5. Module-specific information (properties, connection and block diagrams, technical data and special features of the module):
 - a) for digital input modules
 - b) for digital output modules
 - c) for relay output modules
 - d) for digital IO modules

Installation and wiring

For information on installation and wiring, refer to the S7-300, CPU 31xC, and CPU 31x Operating Instructions: Installation. The operating instructions are available on the Internet (<http://support.automation.siemens.com/WW/view/en/13008499>).

Further information

The structure of parameter sets (data records 0, 1 and 128) is described in the system data section of the appendix. You must be familiar with this structure if you want to modify module parameters in the STEP 7 user program.

The structure of diagnostic data (data records 0 and 1) is described in the system data section of the appendix. You must be familiar with this structure if you want to analyze diagnostics data of the modules in the STEP 7 user program.

See also

Principles of programming signal modules in the user program (Page 522)

Evaluating diagnostic data of signal modules in the user program (Page 583)

3.1 Module overview

Introduction

The tables below summarize the essential properties of the digital modules. This overview supports you in selecting a module to suit your requirements.

3.1.1 Digital input modules:

Overview of properties

The table below shows essential properties of the digital input modules

Table 3- 1 Digital input modules:

Properties	Module			
	SM 321; DI 64 x 24V; Sink- ing/Sourcing	SM 321; DI 32 x DC24V	SM 321; DI 32 x AC120V	SM 321; DI 16 x DC24V
	(-1BP00-)	(-1BL00-)	(-1EL00-)	(-1BH02-)
Number of inputs	64 DI; isolated in groups of 16	32 DI; isolated in groups of 16	32 DI; isolated in groups of 8	16 DI; isolated in groups of 16
Rated input voltage	24 VDC	24 VDC	120 VAC	24 VDC
Suitable for...	-	2-wire, 3-wire and 4-wire proximity switches (BEROs)		
Supports isochronous mode	No	No	No	No
Programmable diagnostics	No	No	No	No
Diagnostic interrupt	No	No	No	No
Edge-triggered hardware interrupt	No	No	No	No
Adjustable input delays	No	No	No	No
Special features	-	-	-	-

3.1 Module overview

Table 3-2 Digital input modules (continued)

Properties	Module				
	SM 321; DI 16 x DC24V High Speed	SM 321; DI 16 x DC24V with process and diagnostic inter- rupts	SM 321; DI 16 x DC 24V/125V with process and diagnostic inter- rupts	SM 321; DI 16 x DC24V; source input	SM 321; DI 16 x UC24/48V
	(-1BH10-)	(-7BH01-)	(-7EH00-)	(-1BH50-)	(-1CH00-)
Number of inputs	16 DI; electrical-ly isolated in groups of 16	16 DI; electrically isolated in groups of 16	16 DI; isolated in groups of 16	16 DI, source input, electrically isolated in groups of 16	16 DI; isolated in groups of 1
Rated input voltage	24 VDC	24 VDC	24 VDC - 125 VDC	24 VDC	24 VDC to 48 VDC 24 VAC to 48 VAC
Suitable for...	Switches; 2-wire, 3-wire and 4-wire proximity switches (BEROs)				
Supports isochro-nous mode	Yes	Yes	No	No	No
Programmable diagnostics	No	Yes	Yes	No	No
Diagnostic interrupt	No	Yes	Yes	No	No
Edge-triggered hardware interrupt	No	Yes	Yes	No	No
Adjustable input delays	No	Yes	Yes	No	No
Special features	Fast module; especially for isochronous mode	2 short-circuit-proof sensor supplies for 8 channels each; External redundant sensor supply is supported	---	---	---

Table 3-3 Digital input modules (continued)

Properties	Module				
	SM 321; DI 16 x DC48-125V	SM 321; DI 16 x AC120/230 V	SM 321; DI 16 x NAMUR	SM 321; DI 8 x AC 120/230V	SM 321; DI 8 x AC 120/230 V ISOL
	(-1CH20-)	(-1FH00-)	(-7TH00-)*	(-1FF01-)	(-1FF10-)
Number of inputs	16 DI; isolated in groups of 4	16 DI; isolated in groups of 4	16 DI; isolated in groups of 2	8 DI; isolated in groups of 2	8 DI; isolated in groups of 2
Rated input voltage	120/230 VAC	120/230 VAC	24 VDC	120/230 VAC	120/230 VAC
Suitable for...	Switches; 2-wire, 3-wire and 4-wire proximity switches (BEROs)	Switches; 2-wire / 3-wire AC proximity switches	NAMUR encoder	Switches; 2-wire / 3-wire AC proximity switches	
Supports isochronous mode	No	No	No	No	No
Programmable diagnostics	No	No	No	No	No
Diagnostic interrupt	No	No	Yes	No	No
Edge-triggered hardware interrupt	No	No	No	No	No
Adjustable input delays	No	No	No	No	No
Special features	---	---	Module with single channel diagnostics and extensive control functions	---	---

* This module is described in the ET 200M Signal Modules for Process Automation manual. You can find the manual on the Internet (<http://support.automation.siemens.com/WW/view/en/7215812>).

3.1.2 Digital output modules

Overview of properties

The table below shows the essential properties of the digital output modules

Table 3- 4 Digital output modules

Properties	Module				
	SM 322; DO 64 x DC24V/0,3A Sourcing (-1BP00-)	SM 322; DO 64 x DC 24V/0,3A Sinking (-1BP50-)	SM 322; DO 32 x DC24V/0,5A (-1BL00-)	SM 322; DO 32 x AC120/230V/1A (-1FL00-)	SM 322; DO 16 x DC24V/0,5A (-1BH01-)
Number of outputs	64 DO; isolated in groups of 16	64 DO; isolated in groups of 16	32 DO; isolated in groups of 8	32 DO; isolated in groups of 8	16 DO; isolated in groups of 8
Output current	0.3 A	0.3 A	0.5 A	1.0 A	0.5 A
Rated load voltage	24 V DC	24 V DC	24 V DC	24 V DC	24 V DC
Suitable for...	solenoid valves, DC contactors and signal lamps				
Supports isochronous mode	no	no	No	No	No
Programmable diagnostics	No	No	No	No	no
Diagnostic interrupt	No	No	No	No	No
Substitute value output	No	No	No	No	No
Special features	-				

Table 3- 5 Digital output modules (continued)

Properties	Module				
	SM 322; DO 16 x DC24V/0,5A High Speed (-1BH10-)	SM 322; DO 16 x UC24/48 V (-5GH00-)	SM 322; DO 16 x AC120/230V/1A (-1FH00-)	SM 322; DO 16 x DC24V/0,5A (-8BH00-)* (-8BH01-)* (-8BH10-)	SM 322; DO 8 x DC24V/2A (-1BF01-)
Number of outputs	16 DO; isolated in groups of 8	16 DO; isolated in groups of 1	16 DO; isolated in groups of 8	16 DO; isolated in groups of 4	8 DO; isolated in groups of 4
Output current	0.5 A	0.5 A	1 A	0.5 A	2 A
Rated load voltage	24 V DC	24 to 48 V DC 24 to 48 V AC	120/230 V AC	24 V DC	24 V DC
Suitable for...	solenoid valves, DC contactors and signal lamps				
Supports isochronous mode	Yes	no	no	no	no
Programmable diagnostics	No	Yes	no	yes	no
Diagnostic interrupt	no	Yes	No	Yes	No
Substitute value output				Yes	No
Special features	Fast module; especially for isochronous mode	-	-	Redundant load control is supported; extensive control functions	-

3.1 Module overview

Table 3- 6 Digital output modules (continued)

Properties	Module			
	SM 322; DO 8 x DC24V/0,5A with diagnostics interrupt (-8BF00-)	SM 322; DO 8 x DC48-125V/1,5A (-1CF00-)	SM 322; DO 8 x AC120/230 V/2A (-1FF01-)	SM 322;DO 8 x AC120/230 V/ 2A ISOL (-5FF00-)
Number of outputs	8 DO; isolated in groups of 8	8 DO; electrically isolated in groups of 4, with reverse polarity protection	8 DO; isolated in groups of 4	8 DO; isolated in groups of 1
Output current	0.5 A	1.5 A	2 A	2 A
Rated load voltage	24 V DC	48 to 125 V DC	120/230 V AC	120/230 V AC
Suitable for...	solenoid valves, DC contactors and signal lamps		AC solenoid valves, contactors, motor starters, FHP motors and signal lamps.	
Supports isochronous mode	No	No	No	No
Programmable diagnostics	Yes	No	no	yes
Diagnostic interrupt	Yes	No	no	yes
Substitute value output	Yes	No	no	yes
Special features	Redundant load control is supported	-	Fuse blown display. Replaceable fuse for each group	-

* This module is described in the ET 200M Signal Modules for Process Automation manual. You can find the manual on the Internet (<http://support.automation.siemens.com/WW/view/en/7215812>).

3.1.3 Relay output modules

Overview of properties

The table below shows the essential properties relay output modules

Table 3- 7 Relay output modules

Properties	Module			
	SM 322; DO 16 x Rel. AC 120 V (-1HH01-)	SM 322; DO 8 x Rel. AC 230 V (-1HF01-)	SM 322; DO 8 x Rel. AC 230 V/ 5 A (-5HF00-)	SM 322; DO 8 x Rel. AC 230 V/ 5 A (-1HF10-)
Number of outputs	16 outputs, electrically isolated in groups of 8	8 outputs, electrically isolated in groups of 2	8 outputs, electrically isolated in groups of 1	8 outputs, electrically isolated in groups of 1
Rated load voltage	24 VDC to 120 VDC, 48 VAC to 230 VAC	24 VDC to 120 VDC, 48 VAC to 230 VAC	24 VDC to 120 VDC, 24 VAC to 230 VAC	24 VDC to 120 VDC, 48 VAC to 230 VAC
Suitable for...	AC/DC solenoid valves, contactors, motor starters, FHP motors and signal lamps			
Supports isochronous mode	no	no	no	no
Programmable diagnostics function	no	no	yes	no
Diagnostics interrupt	no	no	yes	no
Substitution value output	no	no	yes	no
Special features	-			

3.1.4 Digital IO modules

Overview of properties

The table below shows the essential properties of digital IO modules

Table 3- 8 Digital IO modules

Properties	Module		
	SM 323; DI 16/DO 16 x DC 24 V/ 0,5 A (-1BL00-)	SM 323; DI 8/DO 8 x DC 24 V/0,5 A (-1BH01-)	SM 327; DI 8/DX 8 x DC 24 V/0,5 A, Programmable (-1BH00-)
Number of inputs	16 inputs, electrically isolated in groups of 16	8 inputs, electrically isolated in groups of 8	8 digital inputs, plus 8 separately programmable inputs/outputs, electrically isolated in groups of 16
Number of outputs	16 outputs, electrically isolated in groups of 8	8 outputs, electrically isolated in groups of 8	
Rated input voltage	24 VDC	24 VDC	24 VDC
Output current	0.5 A	0.5 A	0.5 A
Rated load voltage	24 VDC	24 VDC	24 VDC
Inputs suitable for...	Switches and 2-/3-/4-wire proximity switches (BEROs).		
Outputs suitable for...	solenoid valves, DC contactors and signal lamps		
Supports isochronous mode	no	no	no
Programmable diagnostics	no	no	no
Diagnostic interrupt	no	no	no
Edge-triggered hardware interrupt	no	no	no
Programmable input delay	no	no	no
Substitution value output	no	no	no
Special features	-		8 individually configurable input or outputs; Reading back of inputs is possible, for example, for diagnoses

3.2 Steps in selecting and commissioning the digital module

Introduction

The table below contains the steps required to successfully complete commission of digital modules.

You do not strictly have to adhere to this suggested sequence, that is, you can complete other tasks such as installing or commissioning other modules, or program the module at an earlier or later time.

Step sequence

Table 3- 9 Steps in selecting and commissioning the digital module

Step	Procedure	See...
1.	Selecting the module	Chapter Modules overview (Page 49) and the specific module chapter
2.	Installing the module in the SIMATIC S7 system	<i>Installation</i> chapter in the relevant AS Installation Manual: <ul style="list-style-type: none"> • S7-300 Automation System, Hardware and Installation, or S7-400 / M7-400 Automation System, Hardware and Installation or • Distributed I/O Device ET 200M
3.	Assigning module parameters	Chapter Diagnostics of digital modules (Page 59)
4.	Commission the configuration	<i>Commissioning</i> chapter in the relevant installation manual: of the AS used: <ul style="list-style-type: none"> • S7-300 Automation System, Hardware and Installation, or S7-400 / M7-400 Automation System, Hardware and Installation or • ET 200M distributed I/O device
5.	Analysis the configuration if commissioning was not successful.	Chapter Diagnostics of digital modules (Page 59)

See also

Programming digital modules (Page 58)

Parameters of digital output modules (Page 528)

Module overview (Page 49)

3.3 Programming digital modules

Introduction

Digital modules may have different properties. You can program the properties of certain modules.

All information in this chapter applies only to programmable digital modules:

- Digital input module SM 321; DI 16 x DC 24 V with process and diagnostic interrupts, isochronous; (6ES7321-7BH01-0AB0)
- Digital input module SM 321; DI 16 x DC 24 V/125 V with process and diagnostic interrupts (6ES7321-7EH00-0AB0)
- Digital output module SM 322; DO 16 x DC 24 V/0,5 A (6ES7322-8BH10-0AB0)
- Digital output module SM 322; DO 8 x DC 24 V/0,5 A with diagnostic interrupt (6ES7322-8BF00-0AB0)
- Digital output module SM 322; DO 8 x AC120/230 V /2A ISOL (6ES7322-5FF00-0AB0)
- Digital output module SM 322; DO 8 x Rel. AC230V /5A (6ES7322-5HF00-0AB0)
- Digital input/output module SM 327; DI 8/DO 8 x DC 24 V/0,5 A (6ES7327-1BH00-0AB0)

Programming tools

Only program the digital modules in STEP 7 while the CPU is in STOP.

After you defined all parameters, download these from your PG to the CPU. During its STOP → RUN transition, the CPU transfers the parameters to the relevant digital modules.

Static and dynamic parameters

Parameters are organized by static and dynamic properties.

Set the static parameters while the CPU is in STOP, as described earlier.

You may also edit dynamic parameters in the active user program of an S7 PLC using SFCs. However, the parameters set in STEP 7 will be applied again after a RUN → STOP, STOP → RUN transition of the CPU. The appendix Parameter sets of the signal modules (Page 522) describes the assignment of module parameters in the user program.

Parameters	programmable using	CPU operating state
static	PG (STEP 7 HW CONFIG)	STOP
dynamic	PG (STEP 7 HW CONFIG)	STOP
	SFC55 in the user program	RUN

Parameters of digital modules

Information on programmable parameters is available in the module-specific chapter.

See also

Parameters of digital IO modules (Page 524)

3.4 Diagnostics of digital modules

Introduction

The information provided in this chapter applies only to S7-300 digital modules with diagnostics functions.

- Digital input module SM 321; DI 16 x DC 24 V with process and diagnostic interrupts, isochronous; (6ES7321-7BH01-0AB0)
- Digital input module SM 321; DI 16 x DC 24 V/125 V with process and diagnostic interrupts (6ES7321-7EH00-0AB0)
- Digital output module SM 322; DO 16 × UC 24/48 V (6ES7322-5GH00-0AB0)
- Digital output module SM 322; DO 16 x DC 24 V/0,5 A (6ES7322-8BH10-0AB0)
- Digital output module SM 322; DO 8 x DC 24 V/0,5 A with diagnostic interrupt (6ES7322-8BF00-0AB0)
- Digital output module SM 322; DO 8 x AC120/230 V /2A ISOL (6ES7322-5FF00-0AB0)
- Digital output module SM 322; DO 8 x Rel. AC230V /5A (6ES7322-5HF00-0AB0)

Programmable and non-programmable diagnostics messages

We distinguish between programmable and non-programmable diagnostics messages.

You only obtain programmable diagnostics messages if you have enabled diagnostics at the relevant parameters. Program the "Diagnostics" parameter block in STEP 7.

Digital modules always return non-programmable diagnostics messages, irrespective of diagnostics being enabled.

Reactions to diagnostics message in STEP 7

Actions initiated by diagnostics messages:

- The diagnostics message will be entered in the diagnostics data of the digital module, and is then passed to the CPU.
- The SF LED on the digital module is lit.
- When "Enable Diagnostics Interrupt" is set in STEP 7, the system triggers a diagnostics interrupt and calls OB82.

Reading diagnostics messages

You can read detailed diagnostics messages using SFCs in the user program (refer to the appendix Diagnostics data of signal modules (Page 583)).

In STEP 7, you can view the cause of error by reading the module diagnostics data (refer to the STEP 7 Online Help.)

Diagnostics message using the SF LED

Digital modules with diagnostics function indicate errors at their SF LED (group error LED.) The SF LED lights up when the digital module generates a diagnostics message. It goes dark after all error states are cleared.

The SF LED also lights up to indicate external errors (short-circuit at the sensor supply), regardless of the CPU operating state (at POWER ON.)

Diagnostics messages and interrupt processing of digital modules

For information on diagnostics messages, their possible causes, troubleshooting measures, and possible interrupts refer to the specific module chapter.

3.5 How to protect digital modules from inductive overvoltage

Inductive overvoltage

Overvoltage occurs when an inductance is deactivated. Examples of this are relay coils and contactors.

Integrated overvoltage protection

The digital output modules of S7-300 have integrated overvoltage protection equipment.

Extra overvoltage protection

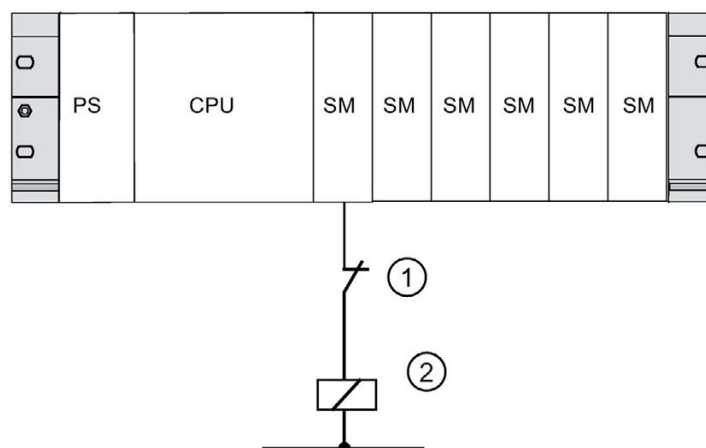
Inductances should only be configured with extra overvoltage protection equipment in the following instances:

- If SIMATIC output current circuits can be deactivated by extra fitted contacts (e.g. relay contacts).
- If the inductive reactances are not activated by SIMATIC modules.

Note: Ask the suppliers of inductive reactances what size of overvoltage protection equipment should be used.

Example

The following diagram shows an output current circuit which make extra overvoltage protection equipment necessary.



- ① Contact in output current circuit
 ② Inductive reactance needs a protective circuit

Figure 3-1 Relay contact for emergency stop in output current circuit

Configuration of coils operated with direct current

Coils operated with direct current are shown in the following diagram and configured with diodes or Z diodes.

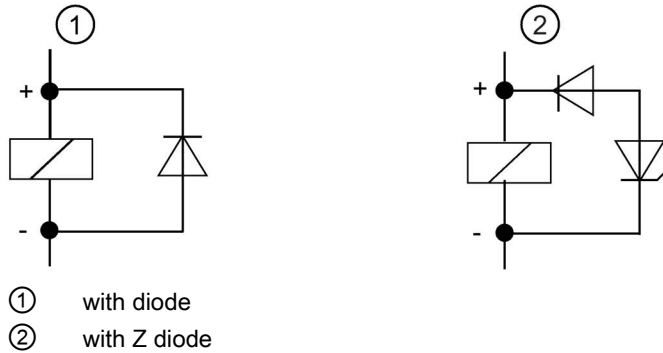


Figure 3-2 Configuration of coils operated with direct current

Properties of the diode/Z diode circuit:

- Cut-off currents can be avoided. Z diode withstands a higher cut-off voltage.
- High cut-off delay (6 to 9 times higher compared to non-protective circuits).

Faster cut-off of the Zener diode compared to the diode circuit.

Connection of AC-operated coils

The operation of AC coils with varistors or RC elements is shown in the diagram.

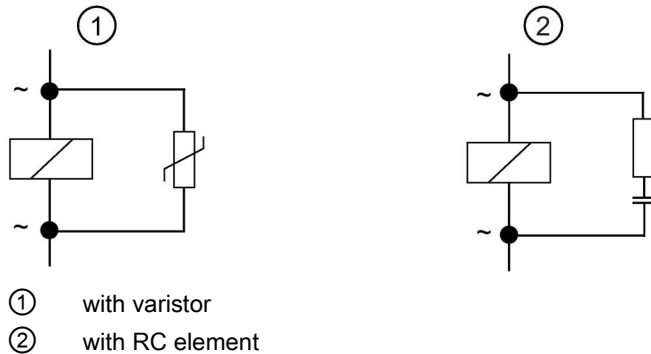


Figure 3-3 Connection of AC-operated coils

Properties of a circuit with varistor:

- The amplitude of the cut-off current is limited but not attenuated.
- The steepness of the overvoltage remains the same.
- Low cut-off delay.

Properties of a circuit with RC elements:

- Reduction of the amplitude and steepness of the cut-off current.
- Low cut-off delay.

3.6 Digital input module SM 321; DI 64 x DC 24 V, sinking/sourcing; (6ES7321-1BP00-0AA0)

Order number

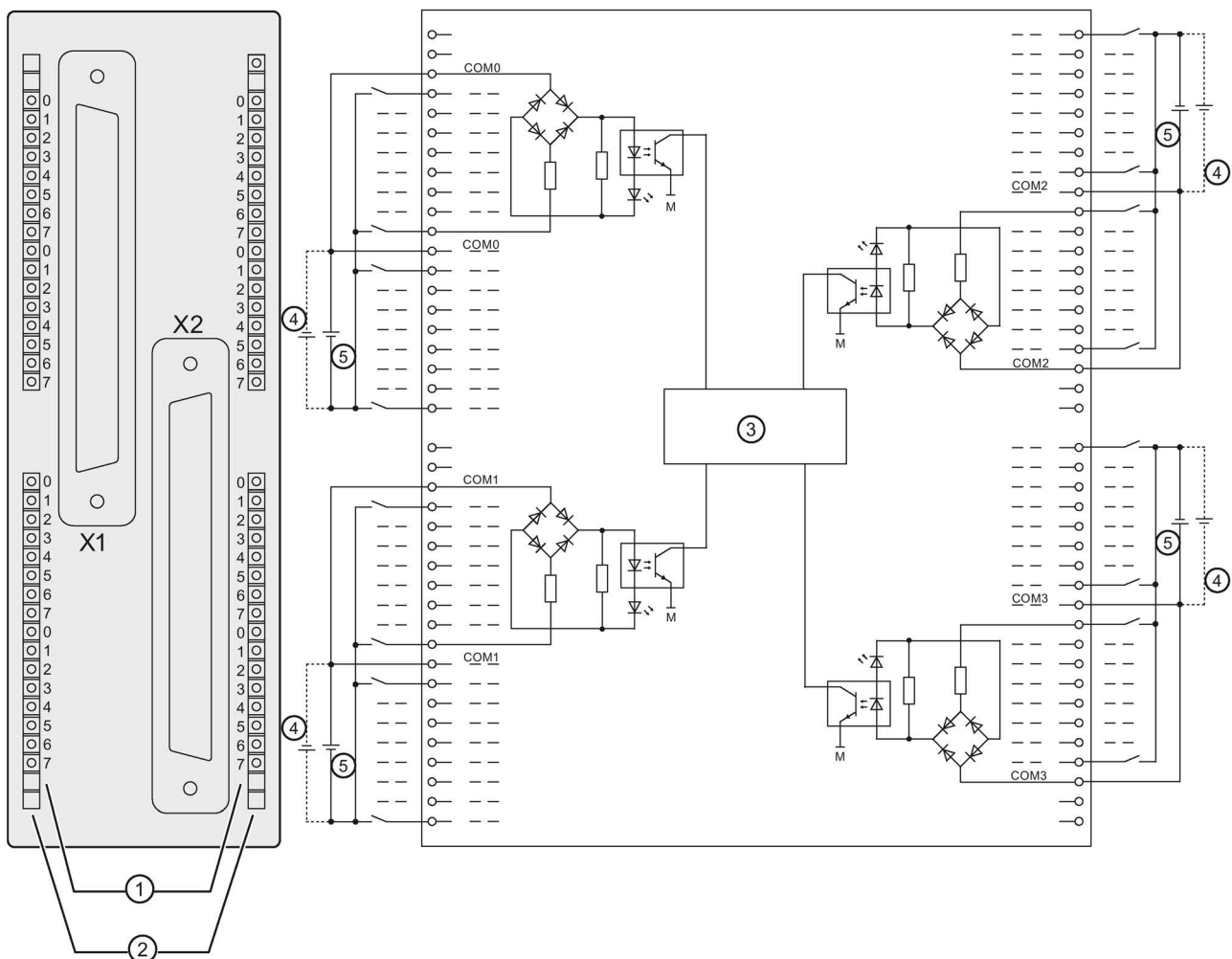
6ES7321-1BP00-0AA0

Properties

Properties of SM 321; DI 64 x DC 24 V, Sinking/Sourcing:

- 64 inputs, isolated in 4 groups of 16
- Rated input voltage 24 V DC

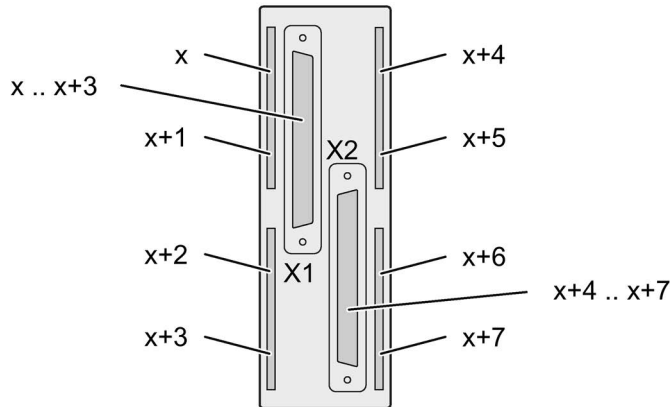
Wiring and block diagram of SM 321; DI 64 x DC 24 V, Sinking/Sourcing



- ① Channel number
- ② Status display - green
- ③ Backplane bus interface
- ④ Terminal for "sinking" operating mode
- ⑤ Terminal for "sourcing" operating mode

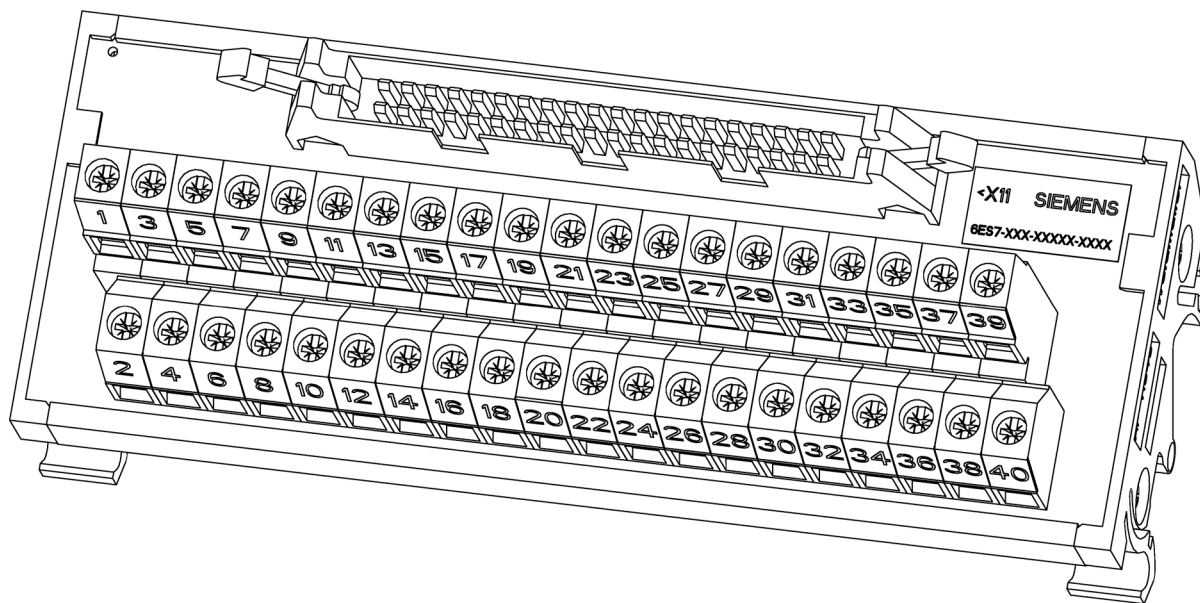
Terminal assignment of SM 321; DI 64 x DC 24 V, Sinking/Sourcing

The figure below shows how channels are assigned to addresses (input byte x up to input byte x+7).



40-pin terminal block

SM321; DI 64 X DC 24 V Sinking/Sourcing features two terminal blocks for connecting actuators and sensors to the module front connector. A connecting cable is used to establish the module connections.



3.6 Digital input module SM 321; DI 64 x DC 24 V, sinking/sourcing; (6ES7321-1BP00-0AA0)

The table below shows how channel terminals are assigned to the terminal block for module SM321; DI 64 X DC 24 V Sinking/Sourcing.

Terminal	Function		Terminal	Function
1	I x.0		2	I x+2.0
3	I x.1		4	I x+2.1
5	I x.2		6	I x+2.2
7	I x.3		8	I x+2.3
9	I x.4		10	I x+2.4
11	I x.5		12	I x+2.5
13	I x.6		14	I x+2.6
15	I x.7		16	I x+2.7
17	COM 0		18	COM 1
19	I x+1.0		20	I x+3.0
21	I x+1.1		22	I x+3.1
23	I x+1.2		24	I x+3.2
25	I x+1.3		26	I x+3.3
27	I x+1.4		28	I x+3.4
29	I x+1.5		30	I x+3.5
31	I x+1.6		32	I x+3.6
33	I x+1.7		34	I x+3.7
35	COM 0		36	COM 1
37	Not connected		38	Not connected
39	Not connected		40	Not connected

Note

The COM x terminals must be connected on the terminal block.

Technical specifications of SM 321; DI 64 x DC 24 V, Sinking/Sourcing

Technical specifications	
Dimensions and weight	
Dimensions (W x H x D) (mm)	40 x 125 x 112 (including protective barrier, required for connections which are not in use)
Weight	ca. 230 g
Module-specific data	
Supports isochronous mode	No
Number of inputs	64
Cable length	
<ul style="list-style-type: none"> • Unshielded • Shielded 	max. 600 m max. 1000 m
Voltages, currents, electrical potentials	
Number of simultaneously controlled inputs	64
<ul style="list-style-type: none"> • Horizontal installation <li style="padding-left: 20px;">to 40 °C <li style="padding-left: 20px;">to 60 °C • Vertical installation <li style="padding-left: 20px;">to 40 °C 	32 (50% derating per group) 32 (50% derating per group)
Electrical isolation	
<ul style="list-style-type: none"> • between channels and the backplane bus • Between channels <li style="padding-left: 20px;">in groups of 	Yes Yes 16
Isolation test voltage	500 VDC
Current consumption	
<ul style="list-style-type: none"> • from the backplane bus 	Max. <100 mA
Power loss of the module	Typ. 7 W
Status, interrupts, diagnostics	
Status display	Green LED (per channel)
Interrupts	none
Diagnostic functions	none

Technical specifications	
Encoder selection data	
Input voltage	
<ul style="list-style-type: none"> • Rated value • "1" signal • "0" signal 	24 V DC -13 V to -30 V, 13 V to 30 V - 5 V to + 5 V
Input current	
<ul style="list-style-type: none"> • "1" signal 	Typ. 4.2 mA
Input delay	
<ul style="list-style-type: none"> • "0" to "1" transition • "1" to "0" transition 	1.2 ms to 4.8 ms 1.2 ms to 4.8 ms
Input characteristics	to IEC 61131, type 1
Connection of 2-wire BEROs	not supported
Input type	Sinking/sourcing input
Wiring of the signal transmitters	Two 40-pin terminal blocks

STEP 7 integration

64-channel I/O modules are integrated with the HSP 2019 V 1.0. The HSP forms part of STEP 7 V 5.4 SP2 and can be installed from STEP 7 V 5.4 and higher.

GSD/GSDML files

The 64-channel I/O modules are supported by the ET 200M versions listed below. Download the corresponding GSD/GSDML files from the following link: on the Internet (<http://www.siemens.com/automation/service>).

- To search for PROFIBUS GSD files, type in the entry ID 113498.
- To search for PROFINET GSDML files, type in the entry ID: 25057900.

PROFIBUS

- IM 153-1, as of 6ES7153-1AA03-0XB0, E12 with GSD file SI01801D.*, version V 1.5
- IM 153-2, as of 6ES7153-2BA02-0XB0, E01 with GSD file SI04801E.*, version V 1.0

PROFINET

- IM 153-4 PN, as of 6ES7153-4AA00-0XB0 with GSDML file version V 2.1

Using the module in S7-300 and ET 200M

If the station is configured with STEP 7, you can use the SM 321 digital input module with all CPUs in the following tables. Startup cannot be performed if no configuration is loaded.

C-CPU (compact CPUs)	Order number
CPU 312C	6ES7312-5BD0x-0AB0
	6ES7312-5BE03-0AB0
	6ES7312-5BF04-0AB0
CPU 313C	6ES7313-5BE0x-0AB0
	6ES7313-5BF03-0AB0
	6ES7313-5BG04-0AB0
CPU 313C-2 DP	6ES7313-6CE0x-0AB0
	6ES7313-6CF03-0AB0
	6ES7313-6CG04-0AB0
CPU313C-2 PtP	6ES7313-6BE0x-0AB0
	6ES7313-6BF03-0AB0
	6ES7313-6BG04-0AB0
CPU 314C-2 DP	6ES7314-6CF0x-0AB0
	6ES7314-6CG03-0AB0
	6ES7314-6CH04-0AB0
CPU 314C-2 PtP	6ES7314-6BF0x--0AB0
	6ES7314-6BG03--0AB0
	6ES7314-6BH04-0AB0
CPU314C-2 PN/DP	6ES7314-6EH04-0AB0


M-CPU	Order number
CPU 312	6ES7312-1AD1x-0AB0
	6ES7312-1AE13-0AB0
	6ES7312-1AE14-0AB0
CPU 314	6ES7314-1AF1x-0AB0
	6ES7314-1AG13-0AB0
	6ES7314-1AG14-0AB0
CPU 315-2 DP	6ES7315-2AF0x-0AB0
	6ES7315-2AG10-0AB0
	6ES7315-2AH14-0AB0
CPU 316-2 DP	6ES7316-2AG00-0AB0
CPU 317-2 DP	6ES7317-2AJ10-0AB0
	6ES7317-2AK14-0AB0
CPU 315-2 PN/DP	6ES7315-2EG10-0AB0
	6ES7315-2EH13-0AB0
	6ES7315-2EH14-0AB0
CPU 317-2 PN/DP	6ES7317-2EJ10-0AB0
	6ES7317-2EK13-0AB0
	6ES7317-2EK14-0AB0
CPU 319-3 PN/DP	6ES7318-3EL00-0AB0
	6ES7318-3EL01-0AB0

3.6 Digital input module SM 321; DI 64 x DC 24 V, sinking/sourcing; (6ES7321-1BP00-0AA0)

F-CPU	Order number
CPU 315F-2 DP	6ES7315-6FF0x-0AB0
CPU 317F-2 DP	6ES7317-6FF0x-0AB0
CPU 315F-2 PN/DP	6ES7315-2FH1x-0AB0
	6ES7315-2FJ14-0AB0
CPU 317F-2 PN/DP	6ES7317-2FJ10-0AB0
	6ES7317-2FK13-0AB0
	6ES7317-2FK14-0AB0
CPU 319F-3 PN/DP	6ES7318-3FL00-0AB0
	6ES7318-3FL01-0AB0

T-CPU	Order number
CPU 315T-2 DP	6ES7315-6TG10-0AB0
CPU315T-3 PN/DP	6ES7315-7TJ10-0AB0
CPU 317T-2 DP	6ES7317-6TJ10-0AB0
CPU317TF-2 DP	6ES7317-6TF14-0AB0
CPU317T-3 PN/DP	6ES7317-7TK10-0AB0
CPU317TF-3 PN/DP	6ES7317-7UL10-0AB0

C7-CPU	Order number
C7-613	6ES7613-1CA01-0AE3
C7-635 Touch	6ES7635-2EB01-0AE3
C7-635 Key	6ES7635-2EC01-0AE3
C7-636 Touch	6ES7636-2EB00-0AE3
C7-636 Key	6ES7636-2EC00-0AE3

 WARNING
<p>Use of the module</p> <p>This module must be configured in a STEP 7 project in which the correct address assignment and allocation of the input/output point is ensured. Using the module without having first carried out this configuration work can lead to machines or processes operating in an unexpected manner.</p> <p>If machines or processes do run in an unexpected manner, this can result in death, serious injury, and/or material damage.</p>

3.7 Digital input module SM 321; DI 32 x DC 24 V; (6ES7321-1BL00-0AA0)

Order number: "Standard module"

6ES7321-1BL00-0AA0

Order number: "SIPLUS S7-300 module"

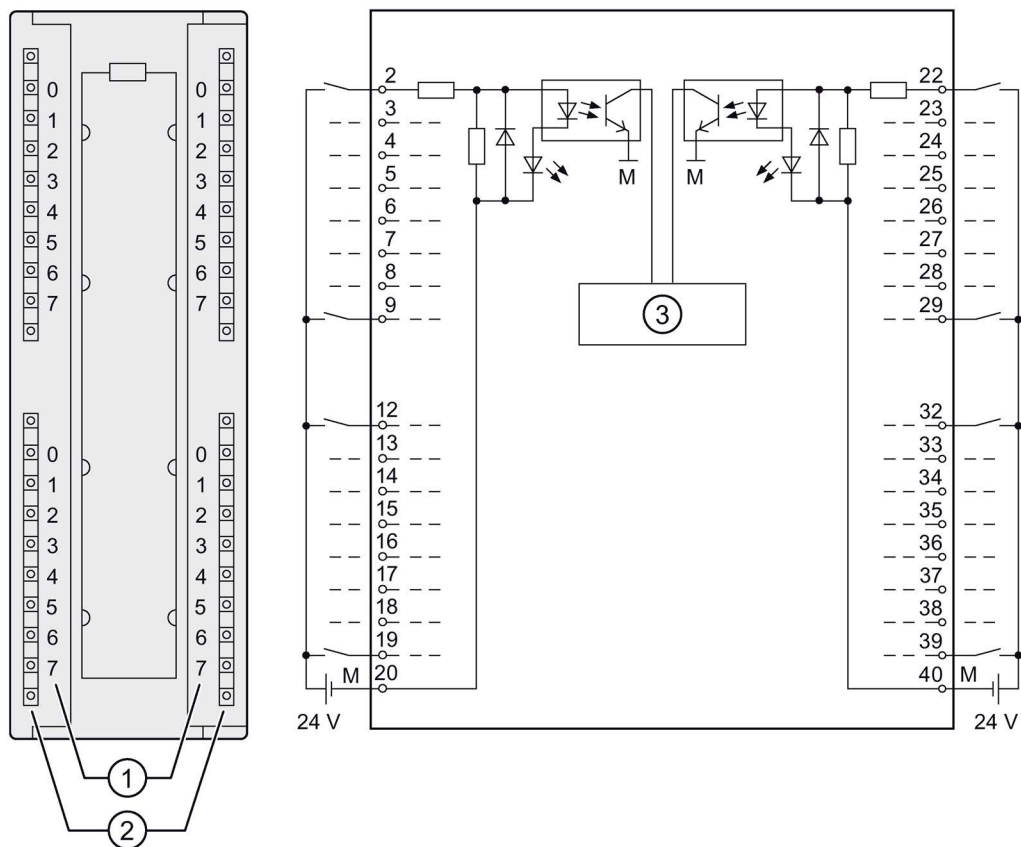
6AG1321-1BL00-2AA0

Properties

Properties of SM 321; DI 32 x DC 24 V:

- 32 inputs, isolated in groups of 16
- Rated input voltage 24 V DC
- Suitable for switches and 2-/3-/4-wire proximity switches (BEROs)

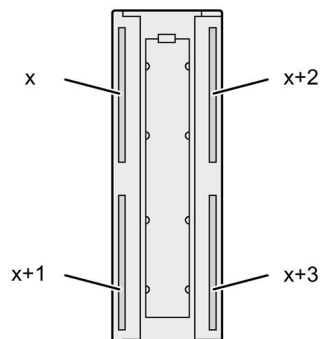
Wiring and block diagram of SM 321; DI 32 x DC 24 V



- ① Channel number
- ② Status display - green
- ③ Backplane bus interface

Terminal assignment of SM 321; DI 32 x DC 24 V

The figure below shows how channels are assigned to addresses (input byte x up to input byte x+3).



Technical specifications of SM 321; DI 32 x DC 24 V

Technical specifications	
Dimensions and weight	
Dimensions W x H x D (mm)	40 x 125 x 120
Weight	ca. 260 g
Module-specific data	
Supports isochronous mode	No
Number of inputs	32
Cable length	
• Unshielded	Max. 600 m
• Shielded	Max. 1000 m
Front connector	40-pin
Voltages, currents, potentials	
Number of simultaneously controlled inputs	
• Horizontal mounting position	
to 40 °C	32
to 60 °C	16
• Vertical arrangement	32
to 40 °C	
Electrical isolation	
• between channels and the backplane bus	yes
• Between channels	Yes
– in groups of	16
Isolation test voltage	500 V DC

Technical specifications	
Current consumption <ul style="list-style-type: none"> From the backplane bus 	Max. 15 mA
Power loss of the module	Typ. 6.5 W
Status, interrupts, diagnostics	
Status display	Green LED per channel
Interrupts	None
Diagnostic functions	None
Encoder selection data	
Input voltage <ul style="list-style-type: none"> Rated value "1" signal "0" signal 	24 V DC 13 to 30 V - 30 to + 5 V
Input current <ul style="list-style-type: none"> "1" signal 	Typ. 7 mA
Input delay <ul style="list-style-type: none"> "0" to "1" transition "1" to "0" transition 	1.2 ms to 4.8 ms 1.2 ms to 4.8 ms
Input characteristics	to IEC 61131, type 1
Connection of 2-wire BEROs <ul style="list-style-type: none"> Permissible quiescent current 	Supported Max. 1.5 mA
Connection of the signal transmitters	Using a 40-pin front connector

3.8 Digital output module SM 321; DI 32 x AC 120 V; (6ES7321-1EL00-0AA0)

Order number

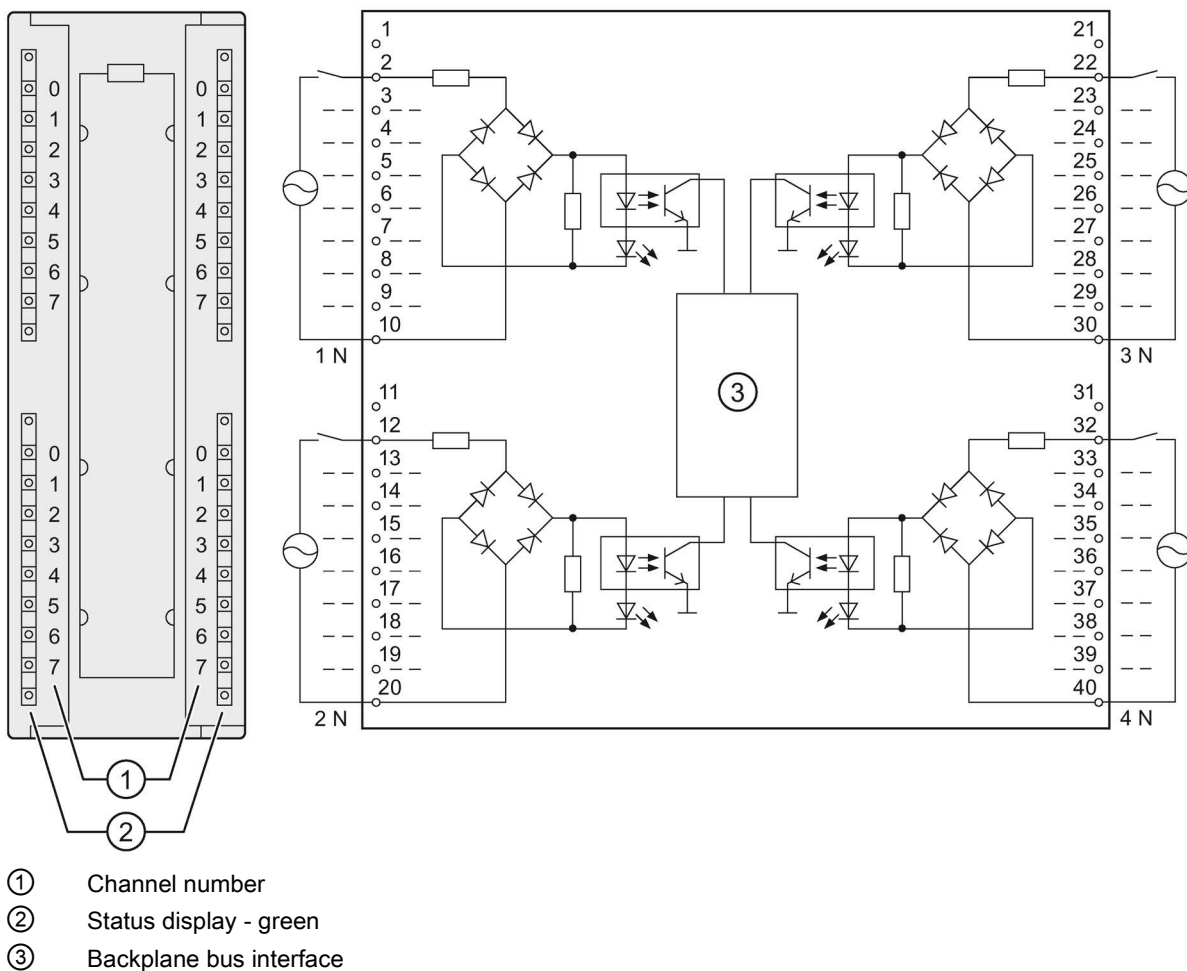
6ES7321-1EL00-0AA0

Properties

Properties of SM 321; DI 32 x AC 120 V:

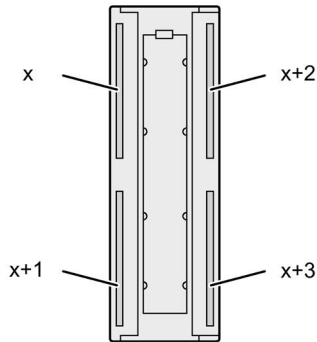
- 32 inputs, electrically isolated in groups of 8
- Rated input voltage 120 VAC
- Suitable for switches and 2-/3-wire AC proximity switches

Wiring and block diagrams SM 321; DI 32 x AC 120 V



Terminal assignment

The figure below shows the channel addressing (input byte x up to input byte x +3).



Technical specifications of SM 321; DI 32 x AC 120 V

Technical specifications	
Dimensions and weight	
Dimensions W x H x D (mm)	40 x 125 x 117
Weight	ca. 300 g
Module-specific data	
Supports isochronous mode	no
Number of inputs	32
Cable length	
<ul style="list-style-type: none"> • unshielded • shielded 	max. 600 m max. 1000 m
Voltages, currents, electrical potentials	
Number of simultaneously controlled inputs	
<ul style="list-style-type: none"> • horizontal mounting position to 40 °C to 60 °C	32 24
<ul style="list-style-type: none"> • vertical mounting position to 40 °C	32
Electrical isolation	
<ul style="list-style-type: none"> • between channels and the backplane bus 	yes
<ul style="list-style-type: none"> • between channels in groups of 	yes 8
Maximum potential difference	
<ul style="list-style-type: none"> • between M_{internal} and inputs 	120 VAC
<ul style="list-style-type: none"> • between inputs of different groups 	250 VAC
Isolation test voltage	2500 VDC

3.8 Digital output module SM 321; DI 32 x AC 120 V; (6ES7321-1EL00-0AA0)

Technical specifications	
Current consumption	
<ul style="list-style-type: none"> from the backplane bus 	max. 16 mA
Power loss of the module	typ. 4 W
Status, interrupts, diagnostics	
Status display	green LED per channel
Interrupts	none
Diagnostic functions	none
Transducer selection data	
Input voltage	
<ul style="list-style-type: none"> Rated value "1" signal "0" signal Frequency band 	120 VAC 74 V to 132 V 0 V to 20 V 47 Hz to 63 Hz
Input current	
<ul style="list-style-type: none"> "1" signal 	typ. 21 mA
Input delay	
<ul style="list-style-type: none"> "0" to "1" transition "1" to "0" transition 	max. 15 ms max. 25 ms
Input characteristics	to IEC 61131, type 2
Connection of 2-wire BEROs	supported
<ul style="list-style-type: none"> Permissible quiescent current 	max. 4 mA
Wiring the signal transducers	using a 40pin front connector

3.9 Digital input module SM 321; DI 16 x DC 24 V; (6ES7321-1BH02-0AA0)

Order number: "Standard module"

6ES7321-1BH02-0AA0

Order number: "SIPLUS S7-300 module"

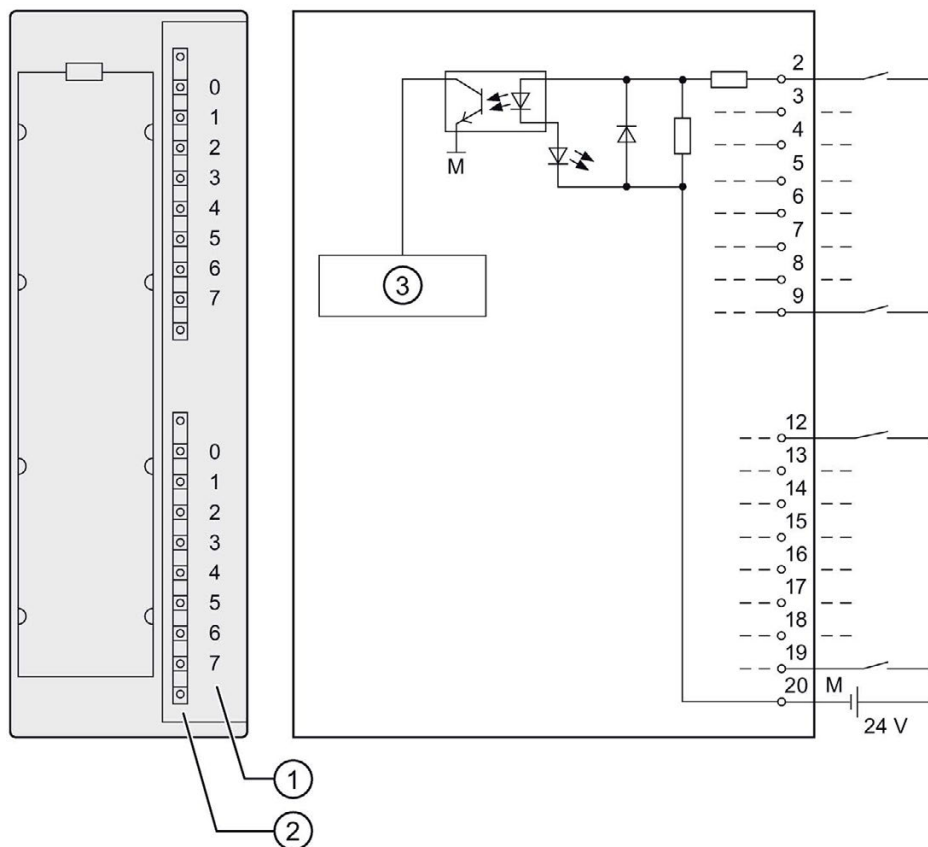
6AG1321-1BH02-2AA0

Properties

Properties of SM 321; DI 16 x DC 24 V:

- 16 inputs, electrically isolated in groups of 16
- Rated input voltage 24 V DC
- suitable for switches and 2- /3-/4-wire proximity switches (BEROs)

Wiring and block diagram of SM 321; DI 16 x DC 24 V



- ① Channel number
- ② Status display - green
- ③ Backplane bus interface

Technical specifications of SM 321; DI 16 x DC 24 V

Technical specifications	
Dimensions and weight	
Dimensions W x H x D (mm)	40 x 125 x 117
Weight	ca. 200 g
Module-specific data	
Supports isochronous mode	no
Number of inputs	16
Cable length <ul style="list-style-type: none"> unshielded shielded 	max. 600 m max. 1000 m
Voltages, currents, electrical potentials	
Number of simultaneously controlled inputs <ul style="list-style-type: none"> horizontal mounting position to 60 °C vertical mounting position to 40 °C 	16 16
Electrical isolation <ul style="list-style-type: none"> between channels and the backplane bus between channels in groups of 	yes yes 16
Isolation test voltage	500 V DC
Current consumption <ul style="list-style-type: none"> from the backplane bus 	max. 10 mA
Power loss of the module	typ. 3.5 W
Status, interrupts, diagnostics	
Status display	green LED per channel
Interrupts	none
Diagnostic functions	none
Encoder selection data	
Input voltage <ul style="list-style-type: none"> Rated value "1" signal "0" signal 	24 V DC 13 V to 30 V - 30 V to + 5 V
Input current <ul style="list-style-type: none"> "1" signal 	typ. 7 mA
Input delay <ul style="list-style-type: none"> "0" to "1" transition "1" to "0" transition 	1.2 ms to 4.8 ms 1.2 ms to 4.8 ms
Input characteristics	to IEC 61131, type 1
Connection of 2-wire BEROs <ul style="list-style-type: none"> Permissible quiescent current 	supported max. 1.5 mA
Wiring of the signal transmitters	using a 20-pin front connector

3.10 Digital input module SM 321; DI 16 x DC 24 V High Speed; (6ES7321-1BH10-0AA0)

Order number

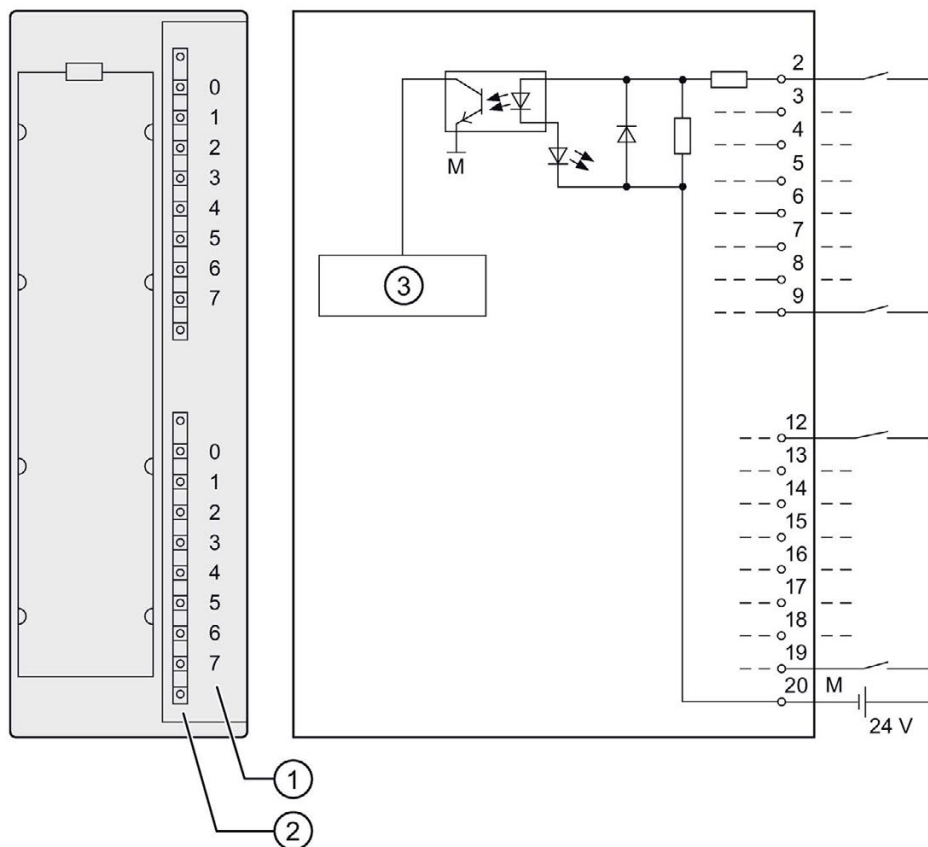
6ES7321-1BH10-0AA0

Properties

Properties of SM 321; DI 16 x DC 24 V High Speed:

- 16 inputs, electrically isolated in groups of 16
- Rated input voltage 24 V DC
- suitable for switches and 2- /3-/4-wire proximity switches (BEROs)
- Supports isochronous mode

Wiring and block diagram of SM 321; DI 16 x DC 24 V High Speed



- ① Channel number
- ② Status display - green
- ③ Backplane bus interface

Technical specifications of SM 321; DI 16 x DC 24 V High Speed

Technical specifications	
Dimensions and weight	
Dimensions W x H x D (mm)	40 x 125 x 117
Weight	ca. 200 g
Module-specific data	
Supports isochronous mode	yes
Number of inputs	16
Cable length	
<ul style="list-style-type: none"> • unshielded • shielded 	max. 600 m max. 1000 m
Voltages, currents, electrical potentials	
Number of simultaneously controlled inputs	
<ul style="list-style-type: none"> • horizontal mounting position to 60 °C • vertical mounting position to 40 °C 	16 16
Electrical isolation	
<ul style="list-style-type: none"> • between channels and the backplane bus 	yes
Maximum potential difference	
<ul style="list-style-type: none"> • between channels – in groups of 	yes 16
Isolation test voltage	500 V DC
Current consumption	
<ul style="list-style-type: none"> • from the backplane bus 	max. 110 mA
Power loss of the module	typ. 3.8 W
Status, interrupts, diagnostics	
Status display	green LED per channel
Interrupts	none
Diagnostic functions	none
Encoder selection data	
Input voltage	
<ul style="list-style-type: none"> • Rated value • "1" signal • "0" signal 	24 V DC 13 V to 30 V - 30 V to + 5 V
Input current	
<ul style="list-style-type: none"> • "1" signal 	typ. 7 mA
Input delay	
<ul style="list-style-type: none"> • "0" to "1" transition • "1" to "0" transition 	25 µs to 75 µs 25 µs to 75 µs
Input characteristics	to IEC 61131, type 1
Connection of 2-wire BEROs	supported
<ul style="list-style-type: none"> • Permissible quiescent current 	max. 1.5 mA
Wiring of the signal transmitters	using a 20-pin front connector

3.11 Digital input module SM 321; DI 16 x 24 VDC; with hardware and diagnostic interrupts (6ES7321-7BH01-0AB0)

Order number: "Standard module"

6ES7321-7BH01-0AB0

Order number: "SIPLUS S7-300 module"

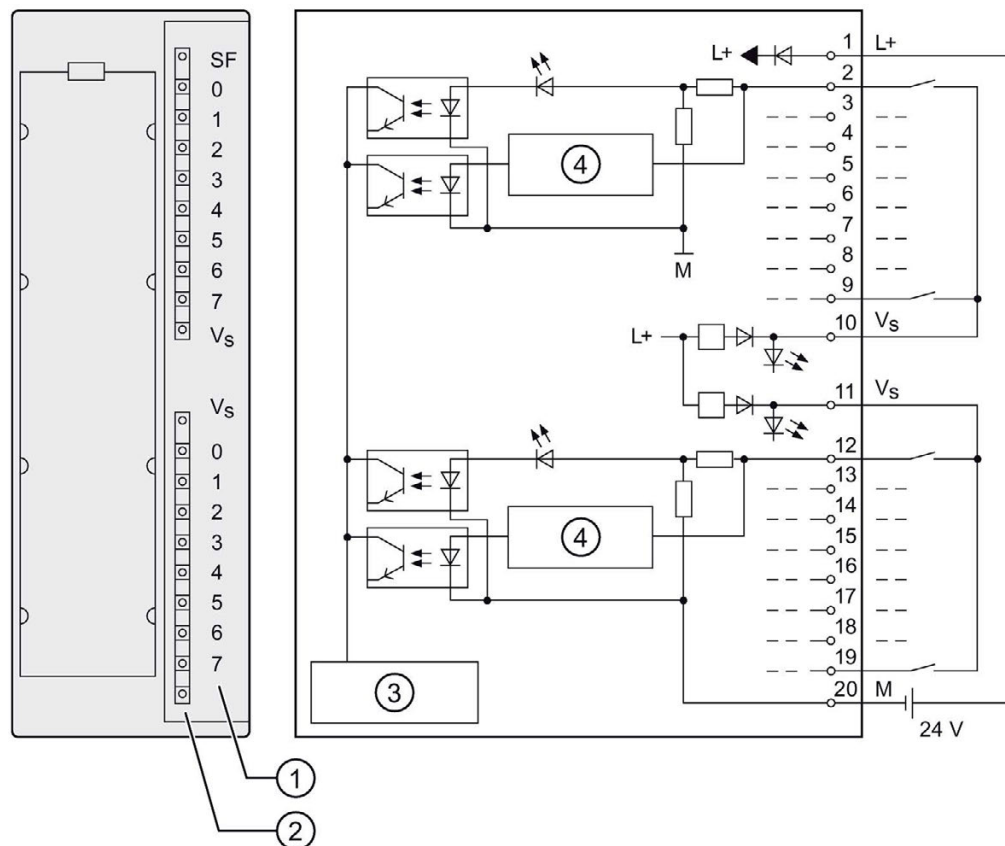
6AG1321-7BH01-2AB0

Properties

Properties of SM 321; DI 16 x DC 24 V with hardware and diagnostic interrupts:

- 16 inputs, electrically isolated in groups of 16
- Rated input voltage 24 V DC
- Input characteristics to IEC 61131, Type 2
- suitable for switches and 2- /3-/4-wire proximity switches (BEROs)
- 2 short circuitproof sensor supplies for each group of 8 channels
- external redundant sensor supply is supported
- "Sensor supply (Vs)" status display
- Group error display (SF)
- Supports isochronous mode
- Supports parameter reassignment in RUN
- Programmable diagnostics
- Programmable diagnostic interrupt
- Programmable hardware interrupts
- Programmable input delays

Wiring and block diagram of SM 321; DI 16 x DC 24 V



- ① Channel number
- ② Status displays - green
Error displays - red
Sensor supply Vs-green
- ③ Backplane bus interface
- ④ Wire-break detection

Wiring diagram of the redundant sensor supply

The figure below shows how an additional redundant voltage source can be used to power sensors using Vs.

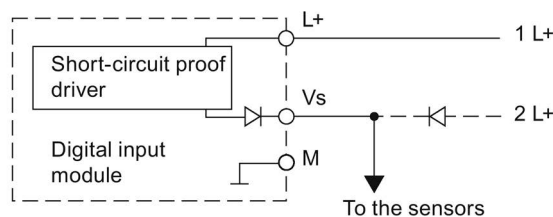


Figure 3-4 Wiring diagram of the redundant supply of sensors of SM 321; DI 16 x DC 24 V

Wiring diagram of the shunt circuit of the sensors

For wire-break detection, it is necessary to connect a shunt resistor to the transducer contacts.

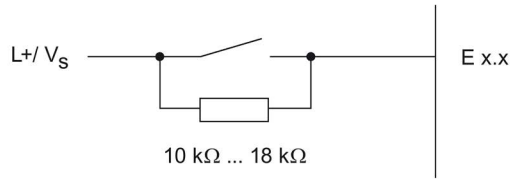


Figure 3-5 Wiring diagram of the shunt circuit of transducers of SM 321; DI 16 x DC 24 V

Technical specifications of SM 321; DI 16 x DC 24 V

Technical specifications	
Dimensions and weight	
Dimensions W x H x D (mm)	40 x 125 x 117
Weight	ca. 200 g
Module-specific data	
Supports isochronous mode	yes
Supports parameter reassignment in RUN	yes
<ul style="list-style-type: none"> Response of non-programmed inputs 	return the process value which was valid before configuration
Number of inputs	16
Cable length <ul style="list-style-type: none"> unshielded shielded 	max. 600 m max. 1000 m
Voltages, currents, electrical potentials	
Rated supply voltage L+ for the electronic system and sensors	24 V DC
<ul style="list-style-type: none"> Reverse polarity protection 	yes
Number of simultaneously controlled inputs	
<ul style="list-style-type: none"> horizontal mounting position to 60 °C 	16
<ul style="list-style-type: none"> vertical mounting position to 40 °C 	16
Electrical isolation <ul style="list-style-type: none"> between channels and the backplane bus between channels <ul style="list-style-type: none"> In groups of 	yes 16
Isolation test voltage	500 V DC
Current consumption	
<ul style="list-style-type: none"> from the backplane bus 	max. 130 mA
<ul style="list-style-type: none"> from load voltage L + (without sensor supply V_S) 	max. 90 mA
Power loss of the module	typ. 4 W

3.11 Digital input module SM 321; DI 16 x 24 VDC; with hardware and diagnostic interrupts (6ES7321-7BH01-0AB0)

Technical specifications	
Status, interrupts, diagnostics	
Status display	
<ul style="list-style-type: none"> Inputs 	green LED per channel
<ul style="list-style-type: none"> Sensor supplies (Vs) 	green LED per output
Interrupts	
<ul style="list-style-type: none"> Hardware interrupt Diagnostic interrupt 	programmable programmable
Diagnostic functions	programmable
<ul style="list-style-type: none"> Group error display 	red LED (SF)
<ul style="list-style-type: none"> Reading diagnostic information 	supported
Monitoring for	
<ul style="list-style-type: none"> wirebreak 	yes, sensing I < 1 mA
Sensor supply outputs	
Number of outputs	2
Output voltage	
<ul style="list-style-type: none"> on load 	min. L+ (- 2.5 V)
Output current	
<ul style="list-style-type: none"> Rated value Permitted range 	120 mA 0 mA to 150 mA
Additional (redundant) supply	supported
Short-circuit protection	yes, electronic
Encoder selection data	
Input voltage	
<ul style="list-style-type: none"> Rated value "1" signal "0" signal 	24 V DC 13 V to 30 V -30 V to + 5 V
Input current	
<ul style="list-style-type: none"> "1" signal 	typ. 7 mA
Input characteristics	to IEC 61131, type 2
Connection of 2-wire BEROs	supported
<ul style="list-style-type: none"> Permissible quiescent current 	max. 2 mA
Wiring of the signal transmitters	using a 20-pin front connector
Shunt circuit of the sensor for wire-break detection	10 kohms to 18 kohms

Technical specifications	
Time/frequency	
Internal preparation time for diagnostics (in non-isochronous mode)	
<ul style="list-style-type: none"> Enabling of process and diagnostic interrupts 	max. 40 ms
Input delay	
<ul style="list-style-type: none"> programmable Rated value 	yes typ. 0.1/0.5/3/15/20 ms

Configuration in RUN

Special considerations must be given if you use the Configuration in RUN function.

SF LED is lit:

Status before re-configuration diagnostics on, SF LEDs lit among others (on CPU, IM or module), although diagnostics are no longer pending and the module is operating correctly.

Solution:

- Only change the configuration when no diagnostics are pending for the module or
- Pulling and plugging the module.

3.11.1 Isochronous mode

Properties

Reproducible reaction times (i.e. of the same length) are achieved in a SIMATIC system by means of a constant DP bus cycle, and synchronization of the single cyclic processes outlined below:

- Independent user program cycle. The length of the cycle time may vary due to non-cyclic program branching.
- Independent and variable DP cycle on the PROFIBUS subnet
- Cyclic operation of the backplane bus of the DP slave.
- Cyclic signal conditioning and conversion at the electronic modules of the DP slave.

The constant DP cycle runs in synchronism and at the same length. The CPU run levels (OB61 to OB64) and isochronous IO are synchronized with this cycle. I/O data are therefore transferred at defined and constant intervals (isochronous mode.)

Requirements

- The DP master and slave must support isochronous mode. STEP 7 V5.2 or higher.

3.11 Digital input module SM 321; DI 16 x 24 VDC; with hardware and diagnostic interrupts (6ES7321-7BH01-0AB0)

Operating mode: Isochronous mode

Conditions of isochronous mode:

Filtering and processing time T_{WE} between reading actual values and writing these to the transfer buffer (the value defined for T_{WE} applies, irrespective of the enable status of diagnostics)	255 μ s to 345 μ s
includes an input delay time of	100 μ s
T_{DPmin}	2.5 ms
Diagnostic interrupt	max. 4 x T_{DP}

Note

In "isochronous" mode, the input delay is automatically set to 100 μ s, regardless of the input delay setting in STEP 7

Further information

You can find additional information on isochronous mode in the online help for STEP 7 and in the operating instructions Distributed I/O System ET 200M. (<http://support.automation.siemens.com/WW/view/en/1142798>)

3.11.2 SM 321; DI 16 x DC 24 V - Parameters

Programming

The general procedure of programming digital modules is described in the chapter Programming digital modules (Page 58).

Parameters of SM 321; DI 16 x DC 24 V

The table below shows an overview of configurable parameters and their default settings for SM 321; DI 16 x DC 24 V.

The default settings apply if you have not set any parameters in STEP 7.

Table 3- 10 Parameters of SM 321; DI 16 x DC 24 V

Parameters	Range of values	Default	Parameter type	Scope
Enable <ul style="list-style-type: none"> Diagnostic interrupt Hardware interrupt 	Yes/No Yes/No	No No	dynamic	Module
Input delay/voltage type	0.1 ms (DC) 0.5 ms (DC) 3 ms (DC) 15 ms (DC) 20 ms (DC/AC)	(DC)	static	Module
Diagnosis encoder supply missing <ul style="list-style-type: none"> Wire break 	Yes/No Yes/No	No No	static	Channel group
Hardware interrupt trigger <ul style="list-style-type: none"> Positive edge Negative edge 	Yes/No Yes/No	No No	dynamic	Channel group

Allocating the sensor supplies to channel groups

The module's two sensor supplies power the two channel groups: Inputs 0 to 7 and inputs 8 to 15. You also configure the diagnostics for the encoder supply in these channel groups.

Assigning interrupt parameters to channel groups

The table below shows which channels you can group for interrupt processing.

The channel group number is required to program SFC parameters in the user program.

Table 3- 11 Assigning interrupt parameters to the inputs of SM 321; DI 16 x DC 24 V

Parameters...	Programmable in the following channel groups	Channel group number
<ul style="list-style-type: none"> Hardware interrupt (triggered at the positive, negative, or both edges) Diagnostic interrupt for wire break 	0 and 1 2 and 3 4 and 5 6 and 7 8 and 9 10 and 11 12 and 13 14 and 15	0 1 2 3 4 5 6 7
<ul style="list-style-type: none"> Diagnostic interrupt for missing encoder supply 	0 to 7 8 to 15	-

3.11 Digital input module SM 321; DI 16 x 24 VDC; with hardware and diagnostic interrupts (6ES7321-7BH01-0AB0)

Tolerances of the programmable input delays

Table 3- 12 Tolerances of the input delays at SM 321; DI 16 x DC 24 V

Programmed input delay	Tolerance
0.1 ms	60 µs to 140 µs
0.5 ms	400 µs to 900 µs
3 ms (default)	2.6 ms to 3.3 ms
15 ms	12 ms to 15 ms
20 ms	17 ms to 23 ms

3.11.3 SM 321; DI 16 x DC 24 V - Diagnostics

Diagnostic messages of SM 321; DI 16 x DC 24 V

The table below shows an overview of the diagnostic messages of SM 321; DI 16 x DC 24 V.

Table 3- 13 Diagnostic messages of SM 321; DI 16 x DC 24 V

Diagnostic message	LED	Scope of diagnostics	programmable
Sensor supply missing	SF	Channel group	yes
Wire break	SF	Channel group	
Module not programmed	SF	Channel group	
External auxiliary voltage missing	SF	Module	no
Internal auxiliary voltage missing	SF	Module	
Fuse blown	SF	Module	
Incorrect module parameters	SF	Module	
Watchdog time-out	SF	Module	
EPROM fault	SF	Module	
RAM fault	SF	Module	
Hardware interrupt lost	SF	Module	

Note

A prerequisite for detecting faults indicated by programmable diagnostic messages is an appropriate configuration of the digital module in STEP 7.

Note**Wire break diagnostics**

Wire break diagnostics is always used for one channel group with two channels. It is only possible to determine that one of the two channels has suffered a wire break; it is not possible to identify which one. When operated with PCS7, only one channel of the group can be used at any time for an exact diagnosis.

Causes of error and troubleshooting

Table 3- 14 Diagnostics Messages of the SM 321; DI 16 x DC 24 V, causes of error and troubleshooting

Diagnostic message	Possible cause of error	To correct or avoid error
Sensor supply missing	Overload at sensor supply	Eliminate overload
	Short-circuit to M at sensor supply	Eliminate the short-circuit
External auxiliary voltage missing	Power supply L+ to module missing	Feed supply L+
Internal auxiliary voltage missing	Power supply L+ to module missing	Feed supply L+
	Fuse blown in module	Replace the module
Fuse blown	Fuse blown in module	Replace the module
Incorrect module parameters	Implausible parameter or combination thereof	Program the module
Watchdog timeout	Infrequent high electromagnetic interference	Eliminate the interference
	Module defective	Replace the module
EPROM fault	Infrequent high electromagnetic interference	Eliminate interference and cycle the power supply of CPU off/on.
	Module defective	Replace the module
RAM fault	Infrequent high electromagnetic interference	Eliminate interference and cycle the power supply of CPU off/on.
	Module defective	Replace the module
Hardware interrupt lost	The module can not output an interrupt, because the previous interrupt was not acknowledged; possibly a configuration error	Change interrupt processing in the CPU, and reprogram the module as required The error persists until the module is assigned new parameters
Module not programmed	Startup error	Program the module

3.11.4 SM 321; DI 16 x DC 24 V - Behavior

Influence of the operating state and supply voltage on input values

The SM 321; DI 16 x DC 24 input values are determined by the CPU's operating state and the module's power supply.

Table 3- 15 Dependency of input values on the CPU's operating state, and on the L+ power supply of SM 321; DI 16 x DC 24 V

CPU operating state		Power supply L+ at digital module	input value of the digital module
POWER ON	RUN	L+ present	Process value
		L+ missing	0 signal
	STOP	L+ present	Process value
		L+ missing	0 signal
POWER OFF	-	L+ present	-
		L+ missing	-

Reaction to power failure

Failure of the SM 321; DI 16 x DC 24 power supply is always indicated by the module's SF LED. This information is also available on the module.

The input value is initially held for the duration of 20 ms to 40 ms before the zero signal is transferred to the CPU. Supply voltage dips <20 ms do not influence the process value (see the table above.)

Triggering of diagnostic interrupts is determined by the parameter settings (see chapter Interrupts of SM 321; DO 16 x DC 24 V (Page 91)).

Power supply failure with redundant external sensor supply

Note

When an external redundant power source is connected in parallel to the sensor supply (Vs) and the L+ power supply fails, the module does not report failure of the sensor supply, but rather the failure of the internal and/or external auxiliary voltage, and/or a blown fuse.

Short-circuit at the sensor supply Vs

The relevant Vs LED goes dark if a short-circuit is detected at the sensor supply Vs, irrespective of parameter settings.

3.11.5 SM 321; DI 16 x DC 24 V - Interrupts

Introduction

This chapter describes the interrupt reaction of SM 321; DI 16 x DC 24 V. Always distinguish between the following interrupts:

- Diagnostic interrupt
- Hardware interrupt

For detailed information on the OBs and SFCs mentioned below, refer to the STEP 7 Online Help.

Enabling interrupts

There is no default interrupt setting, i.e. interrupts are disabled if parameters are not set accordingly. You can enable interrupts in STEP 7 (see the chapter Parameters of SM 321; DI 16 x DC 24 V (Page 86)).

Diagnostic interrupt

When diagnostic interrupts are enabled, incoming error events (initial occurrence) and outgoing error events (error is cleared) are reported by means of an interrupt.

The CPU interrupts user program execution in order to process diagnostic interrupt OB82.

You can call SFC51 or 59 in OB82 in the user program to view detailed diagnostics data output by the module.

Diagnostics data remain consistent until the program exits OB82. The module acknowledges the diagnostic interrupt when the program exits OB82.

Hardware interrupt

SM 321; DI 16 x DC 24 V can trigger a hardware interrupt for each channel group at the positive, negative, or both edges of a signal transition.

Program each channel group separately. The parameters can be changed at any time (in RUN mode in the user program.)

Active hardware interrupts trigger hardware interrupt processing in the CPU (OB40) and interrupt execution of the user program or of object classes with lower priority in the CPU.

You can define the response of the AS to signal edge transitions in the user program of hardware interrupt OB40. The module acknowledges the hardware interrupt when the program exits the hardware interrupt OB.

The module can save one interrupt per channel to the stack. If no higher priority classes are pending processing, the CPU processes the buffered interrupts (of all modules) in the order of their occurrence.

Hardware interrupt lost

A "Hardware interrupt lost" diagnostic interrupt is generated if a successive interrupt is triggered at the channel previously saved to the stack and which has not yet been processed by the CPU.

The CPU does not register any further interrupts at this channel unless it has completed processing of the queued interrupts of the same channel.

Interrupt-triggering channels

The relevant hardware interrupt-triggering channel is logged in the OB40_POINT_ADDR variable of the start information of OB40. The figure shows the bit assignments of DWORD 8 in the local data.

Byte	Variable	Data type		Description
6/7	OB40_MDL_ADDR	WORD	B#16#0	Address of the interrupt-triggering module
starting at 8	OB40_POINT_ADDR	DWORD	see the figure below	Indication of the interrupt-triggering inputs

3.11 Digital input module SM 321; DI 16 x 24 VDC; with hardware and diagnostic interrupts (6ES7321-7BH01-0AB0)

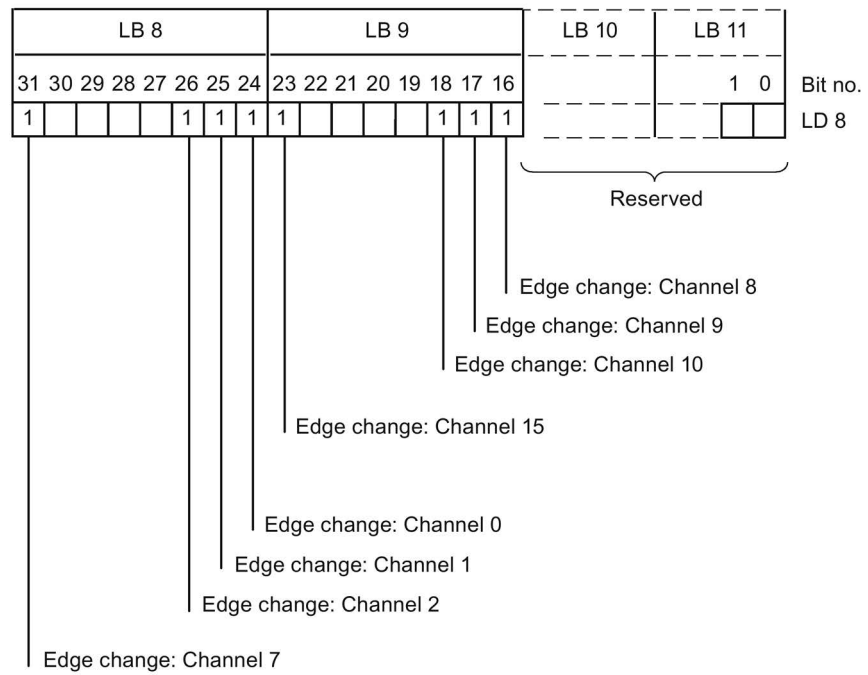


Figure 3-6 Start Information of OB40: which event has triggered the hardware interrupt

3.12 Digital input module SM 321; DI 16 x DC 24/125 V; with hardware and diagnostic interrupts (6ES7321-7EH00-0AB0)

Order number:

6ES7321-7EH00-0AB0

Properties

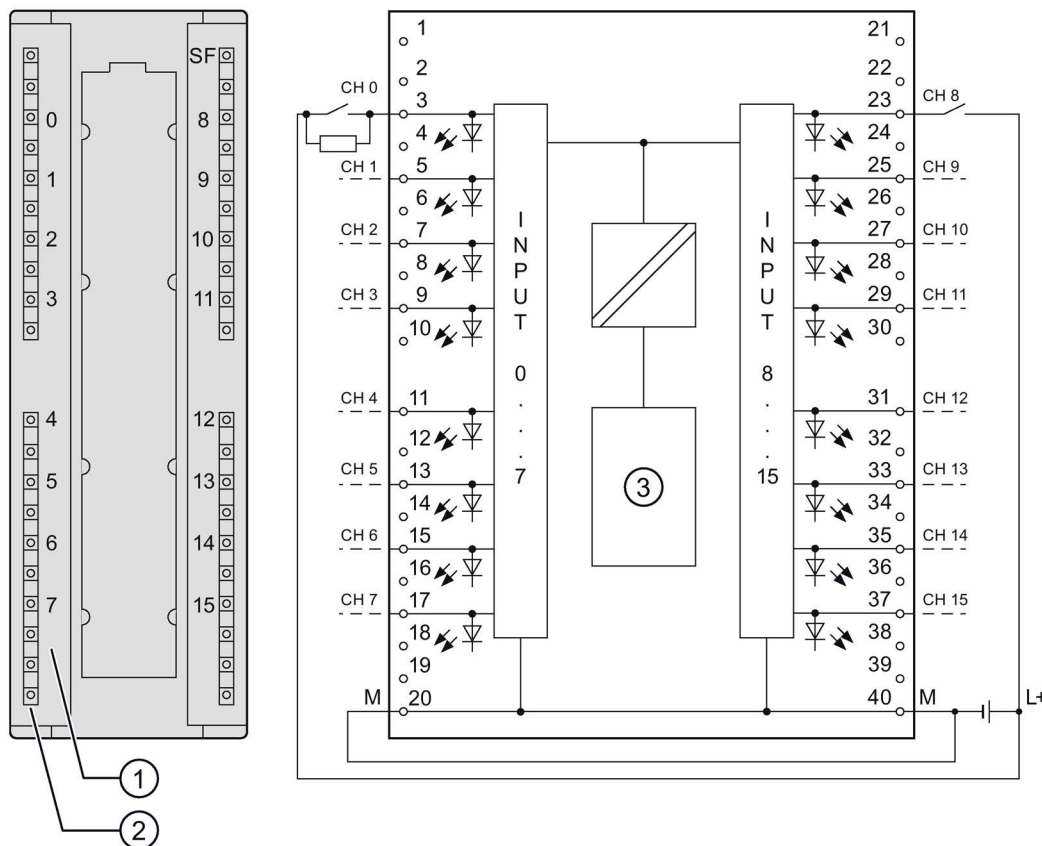
Properties of SM 321; DI 16 x DC 24 V/125 V; with hardware and diagnostic interrupts:

- 16 inputs, electrically isolated in groups of 16
- Rated input voltage 24 to 125 V DC
- Input characteristics to IEC 61131, Type 1
- suitable for switches and 2- /3-/4-wire proximity switches (BEROs)
- Group error display (SF)
- Supports parameter reassignment in RUN
- Channel-based configurable diagnostics
- Programmable diagnostic interrupt
- Channel-based configurable hardware interrupts
- Programmable input delays

 **WARNING**

- Electrical hazard arises with electric circuits operated with voltages
 - $>30 V_{\text{eff}}$ and $42.4 V_{\text{peak}}$
 - 60 VDC.
- It is not permitted to mix electrically safe and dangerous contact input voltages on the 16 inputs of the same module.

Wiring and block diagram of SM 321; DI 16 x DC 24 V/125 V



- ① Channel number
- ② Status displays - green
Error displays - red
- ③ Backplane bus interface

Wiring diagram of the shunt circuit of the sensors

For wire-break detection, it is necessary to connect a shunt resistor to the transducer contacts.

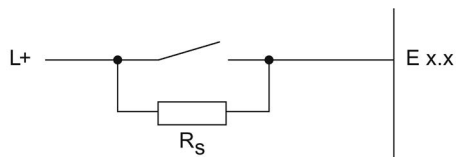


Figure 3-7 Wiring diagram of the shunt circuit of transducers of SM 321; DI 16 x DC 24 V/125 V

3.12 Digital input module SM 321; DI 16 x DC 24/125 V; with hardware and diagnostic interrupts (6ES7321-7EH00-0AB0)

The resistance used depends on the module's rated input voltage

Table 3- 16 Dependence on rated input voltage and resistance

Rated input voltage L+	Resistance R _s
24 V DC	43 kΩ
48 V DC	100 kΩ
125 V DC	300 kΩ

SM 321; DI 16 x DC 24 V/125V - Technical specifications

Technical specifications	
Dimensions and weight	
Dimensions W x H x D (mm)	40 x 125 x 117
Weight	approx. 200 g
Module-specific data	
Supports isochronous mode	No
Supports parameter reassignment in RUN	Yes
<ul style="list-style-type: none"> Response of non-programmed inputs 	return the process value which was valid before configuration
Accuracy of the time stamp	> 5 ms*
Number of inputs	16
Cable length <ul style="list-style-type: none"> unshielded shielded 	max. 600 m max. 1000 m
Voltages, currents, electrical potentials	
Number of simultaneously controlled inputs	
<ul style="list-style-type: none"> Horizontal mounting position to 60 °C <ul style="list-style-type: none"> L+ = 146 VDC L+ = 125 VDC L+ = 100 VDC 	8 12 16
<ul style="list-style-type: none"> Vertical mounting position to 40 °C <ul style="list-style-type: none"> L+ = 146 VDC L+ = 125 VDC L+ = 100 VDC 	8 12 16
Electrical isolation <ul style="list-style-type: none"> between channels and the backplane bus between channels 	Yes No
Maximum potential difference	
<ul style="list-style-type: none"> between different circuits 	300 V DC / 250 V AC
Isolation test voltage	3500 VDC

3.12 Digital input module SM 321; DI 16 x DC 24/125 V; with hardware and diagnostic interrupts (6ES7321-7EH00-0AB0)

Technical specifications	
Current consumption	
<ul style="list-style-type: none"> from the backplane bus 	max. 90 mA
Power loss of the module	
<ul style="list-style-type: none"> L+ = 24 V L+ = 100 V 	typ. 2 W typ. 6.5 W
Status, interrupts, diagnostics	
Status displays	green LED per channel
Interrupts	
<ul style="list-style-type: none"> Hardware interrupt Diagnostic interrupt Wire break 	programmable programmable programmable
Diagnostic functions	programmable
<ul style="list-style-type: none"> Group error display 	red LED (SF)
<ul style="list-style-type: none"> Reading diagnostics information 	supported
Monitoring for	
<ul style="list-style-type: none"> Wire break 	yes, sensing $I < 1$ mA
Encoder selection data	
Input voltage	
<ul style="list-style-type: none"> Rated value "1" signal "0" signal 	From 15 to 146 V from -146 V to + 5 V
Input current	
<ul style="list-style-type: none"> "1" signal 	Typ. 3.5 mA
Input characteristics	to IEC 61131, Type 1
Connection of 2-wire BEROs	supported
<ul style="list-style-type: none"> Permissible quiescent current 	max. 1 mA
Wiring of the signal transmitters	with 40-pin front connector
Time/frequency	
Input delay	
<ul style="list-style-type: none"> programmable Rated value 	Yes typ. 0.1/0.5/3/15/20 ms**
Fixed current limitation of the sensor for wire-break detection	See previous table for dependence on rated input voltage and resistance
Overvoltage protection	Dehnconnect RK DCO RK ME110; Art. No. 919 923

* To obtain a time stamp accuracy of < 1 ms, the input delay must be configured to 0.1 ms.

** To obtain a high immunity to interference, use a shielded cable and set input delay to 0.1 ms.

Configuration in RUN

Special considerations must be given if you use the Configuration in RUN function.

SF LED is lit:

Status before re-configuration diagnostics on, SF LEDs lit among others (on CPU, IM or module), although diagnostics are no longer pending and the module is operating correctly.

Solution:

- Only change the configuration when no diagnostics are pending for the module or
- Pulling and plugging the module.

3.12.1 Parameters of SM 321; DI 16 x DC 24/125 V

Programming

The general procedure of programming digital modules is described in the chapter Programming digital modules.

Parameters of SM 321; DI 16 x DC 24 V/125 V

The table below shows an overview of configurable parameters and their default settings for SM 321; DI 16 x DC 24 V/125V.

The default settings apply if you have not set any parameters in STEP 7.

Table 3- 17 Parameters of SM 321; DI 16 x DC 24 V/125 V

Parameters	Range of values	Default	Parameter type	Efficiency range
Enable <ul style="list-style-type: none"> • Diagnostic interrupt • Hardware interrupt 	Yes/No Yes/No	No No	dynamic	Module
Input delay/voltage type	0.1 ms (DC) 0.5 ms (DC) 3 ms (DC) 15 ms (DC) 20 ms (DC/AC)	3 ms (DC)	static	Module
Diagnostics <ul style="list-style-type: none"> • Wire break 	Yes/No	No	static	Channel
Hardware interrupt trigger <ul style="list-style-type: none"> • Positive edge • Negative edge 	Yes/No Yes/No	No No	dynamic	Channel

Tolerances of the programmable input delays

Table 3- 18 Tolerances of the input delays of SM 321; DI 16 x DC 24 V/125 V

Programmed input delay	Tolerance
0.1 ms	80 µs to 200 µs
0.5 ms	580 µs to 700 µs
3 ms (default)	3.1 ms to 3.7 ms
15 ms	15.1 ms to 18.1 ms
20 ms	20.1 ms to 24.1 ms

Note

The timers for the input delay are only valid for reading in the status. In the case of wire-break, "Wire-break diagnostics" is only triggered approx. 40 ms after the reading in of the value.

3.12.2 Diagnostics of SM 321; DI 16 x DC 24/125 V

Diagnostic messages of SM 321; DI 16 x DC 24 V/125 V

The table below shows an overview of the diagnostic messages of SM 321; DI 16 x DC 24 V/125 V.

Table 3- 19 Diagnostic messages of SM 321; DI 16 x DC 24 V/125 V

Diagnostic message	LED	Scope of diagnostics	programmable
Wire break	SF	Channel	Yes
No channel parameters	SF	Channel	
No/incorrect parameters in module	SF	Module	No
Time monitoring activated (watchdog)	SF	Module	
EPROM fault	SF	Module	
RAM fault	SF	Module	
Hardware interrupt lost	SF	Module	

Note

To detect the errors indicated by programmable diagnostic messages, you must have programmed the digital module accordingly in STEP 7.

Special features of diagnostics

The SM 321; DI 16 x DC 24 V/125 V supplies 9-byte diagnostic data (diagnostic data set 0 with a length of 4 bytes and the diagnostic data set 1 with a length of 9 bytes).

The wire-break diagnostics is only reported in the channel error vector of the data set 1 (bytes 7 and 8). Each channel that reports an error in the channel error vector has a wire-break. You can find additional information, in chapter Structure and content of diagnostics data, byte 0 and up (Page 584).

Causes of error and troubleshooting

Table 3- 20 Diagnostics messages of SM 321; DI 16 x DC 24 V/125V, causes of error and troubleshooting

Diagnostic message	Possible cause of error	To correct or avoid error
Incorrect module parameters	Implausible parameter or combination thereof	Program the module
Time monitoring activated (watchdog)	Infrequent high electromagnetic interference	Eliminate the interference
	Module defective	Replace the module
EPROM fault	Infrequent high electromagnetic interference	Eliminate interference and cycle the power supply of CPU off/on.
	Module defective	Replace the module
RAM fault	Infrequent high electromagnetic interference	Eliminate interference and cycle the power supply of CPU off/on.
	Module defective	Replace the module
Hardware interrupt lost	The module can not output an interrupt, because the previous interrupt was not acknowledged; possibly a configuration error	Change interrupt processing in the CPU, and reprogram the module as required The error persists until the module is assigned new parameters
Module not programmed	Startup error	Program the module

3.12.3 Interrupts of SM 321; DI 16 x DC 24/125 V

Introduction

This chapter describes the interrupt reaction of SM 321; DI 16 x DC 24 V/125V. Always distinguish between the following interrupts:

- Diagnostic interrupt
- Hardware interrupt

For detailed information on the OBs and SFCs mentioned below, refer to the STEP 7 Online Help.

Enabling interrupts

There is no default interrupt setting, i.e. interrupts are disabled if parameters are not set accordingly. You can enable interrupts in STEP 7 (see the chapter Parameters of SM 321; DI 16 x DC 24 V).

Diagnostic interrupt

When diagnostic interrupts are enabled, incoming error events (initial occurrence) and outgoing error events (error is cleared) are reported by means of an interrupt.

The CPU interrupts user program execution in order to process diagnostic interrupt OB82.

You can call SFC51 or 59 in OB82 in the user program to view detailed diagnostics data output by the module.

Diagnostics data remain consistent until the program exits OB82. The module acknowledges the diagnostic interrupt when the program exits OB82.

Hardware interrupt

SM 321; DI 16 x DC 24 V/125V can trigger a hardware interrupt for each channel group at the positive, negative, or both edges of a signal transition.

You perform parameter assignment for each channel separately. The parameters can be changed at any time (in RUN mode in the user program.)

Active hardware interrupts trigger hardware interrupt processing in the CPU (OB40) and interrupt execution of the user program or of object classes with lower priority in the CPU.

You can define the response of the AS to signal edge transitions in the user program of hardware interrupt OB40. The module acknowledges the hardware interrupt when the program exits the hardware interrupt OB.

The module can save one interrupt per channel to the stack. If no higher priority classes are pending processing, the CPU processes the buffered interrupts (of all modules) in the order of their occurrence.

Hardware interrupt lost

A "Hardware interrupt lost" diagnostic interrupt is generated if a successive interrupt is triggered at the channel previously saved to the stack and which has not yet been processed by the CPU.

The CPU does not register any further interrupts at this channel unless it has completed processing of the queued interrupts of the same channel.

Interrupt-triggering channels

The relevant hardware interrupt-triggering channel is logged in the OB40_POINT_ADDR variable of the start information of OB40. The figure shows the bit assignments of DWORD 8 in the local data.

Byte	Variable	Data type		Description
6/7	OB40_MDL_ADDR	WORD	B#16#0	Address of the interrupt-triggering module
starting at 8	OB40_POINT_ADDR	DWORD	see the figure below	Indication of the interrupt-triggering inputs

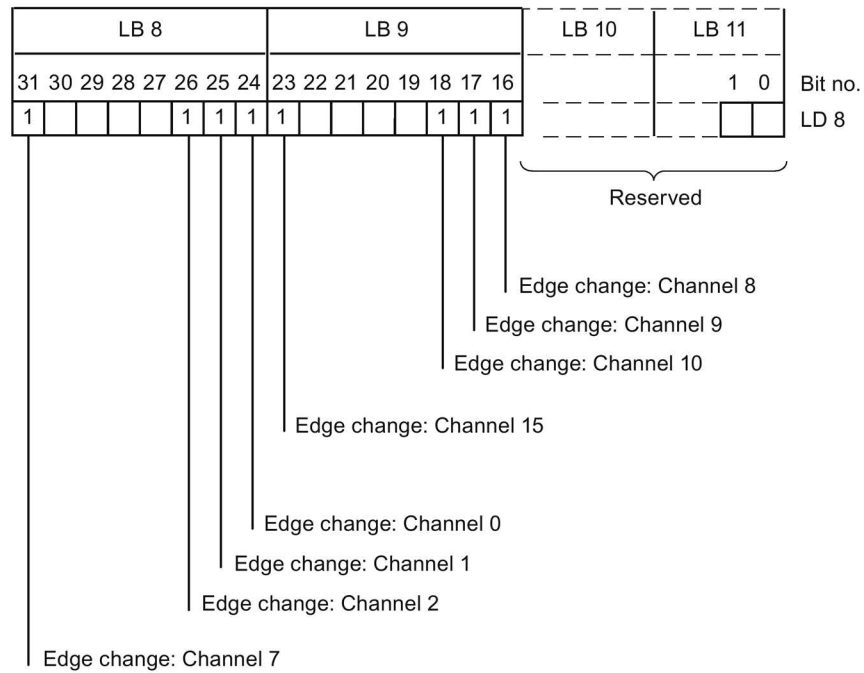


Figure 3-8 Start Information of OB40: which event has triggered the hardware interrupt

3.13 Digital input module SM 321; DI 16 x DC 24 V; source input; (6ES7321-1BH50-0AA0)

Order number

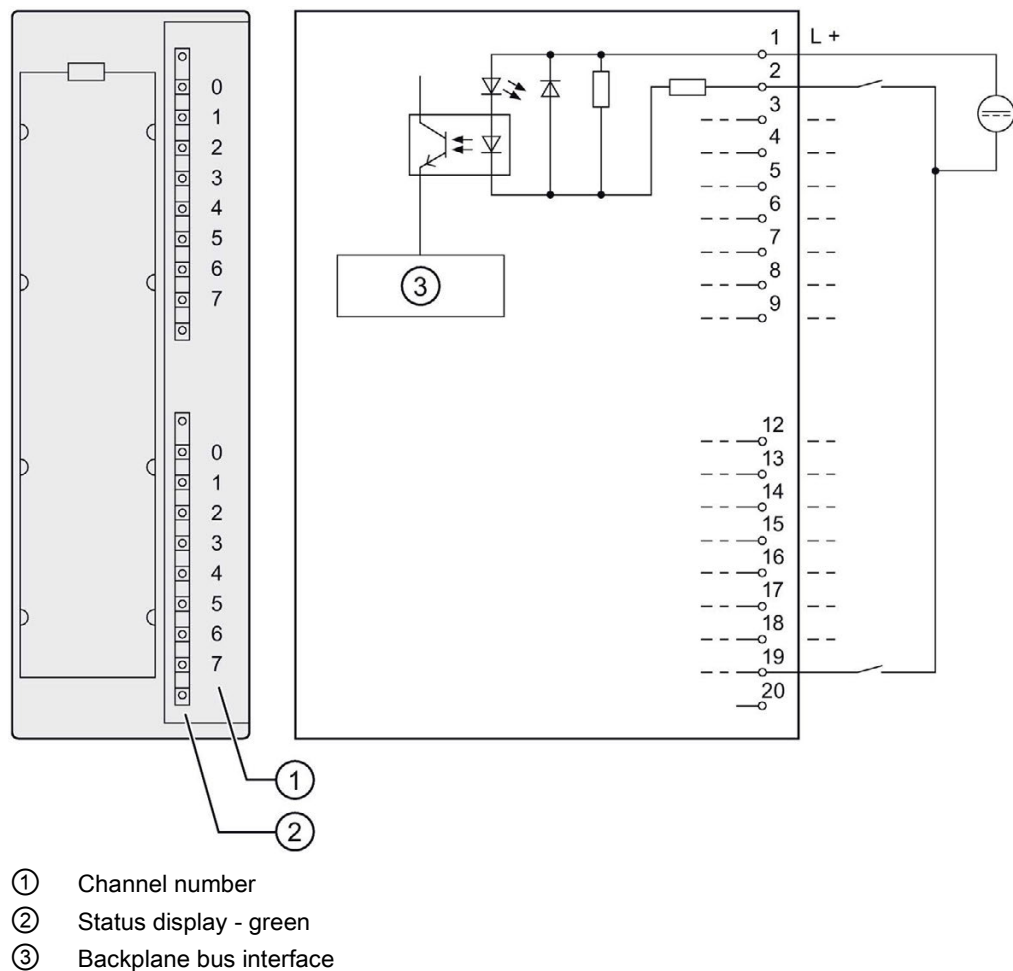
6ES7321-1BH50-0AA0

Properties

Properties of SM 321; DI 16 x DC 24 V; source input:

- 16 inputs, source input, electrically isolated in groups of 16
- Rated input voltage 24 V DC
- Suitable for switches and 2- /3-/4-wire proximity switches (BEROs)

Wiring and block diagram of SM 321; DI 16 x DC 24 V



SM 321; DI 16 x DC 24 V - Technical specifications

Technical specifications	
Dimensions and weight	
Dimensions W x H x D (mm)	40 x 125 x 117
Weight	ca. 200 g
Module-specific data	
Supports isochronous mode	no
Number of inputs	16
Cable length	
<ul style="list-style-type: none"> • unshielded • shielded 	max. 600 m max. 1000 m
Voltages, currents, electrical potentials	
Number of simultaneously controlled inputs	
<ul style="list-style-type: none"> • horizontal mounting position to 60 °C 	16
<ul style="list-style-type: none"> • vertical mounting position to 40 °C 	16
Electrical isolation	
<ul style="list-style-type: none"> • between channels and the backplane bus 	yes
<ul style="list-style-type: none"> • between channels in groups of 	yes 16
Isolation test voltage	500 V DC
Current consumption	
<ul style="list-style-type: none"> • from the backplane bus 	max. 10 mA
Power loss of the module	typ. 3.5 W
Status, interrupts, diagnostics	
Status display	green LED per channel
Interrupts	none
Diagnostic functions	none
Encoder selection data	
Input voltage (reference potential L+)	
<ul style="list-style-type: none"> • Rated value • "1" signal • "0" signal 	24 V DC -13 V to -30 V +30 V to -5 V
Input current	
<ul style="list-style-type: none"> • "1" signal 	typ. 7 mA
Input delay	
<ul style="list-style-type: none"> • "0" to "1" transition • "1" to "0" transition 	1.2 ms to 4.8 ms 1.2 ms to 4.8 ms
Input characteristics	to IEC 61131, type 1
Connection of 2-wire BEROs	supported
<ul style="list-style-type: none"> • Permissible quiescent current 	max. 1.5 mA
Wiring of the signal transmitters	using a 20-pin front connector

3.14 Digital input module SM 321; DI 16 x UC 24/48 V; (6ES7321-1CH00-0AA0)

Order number

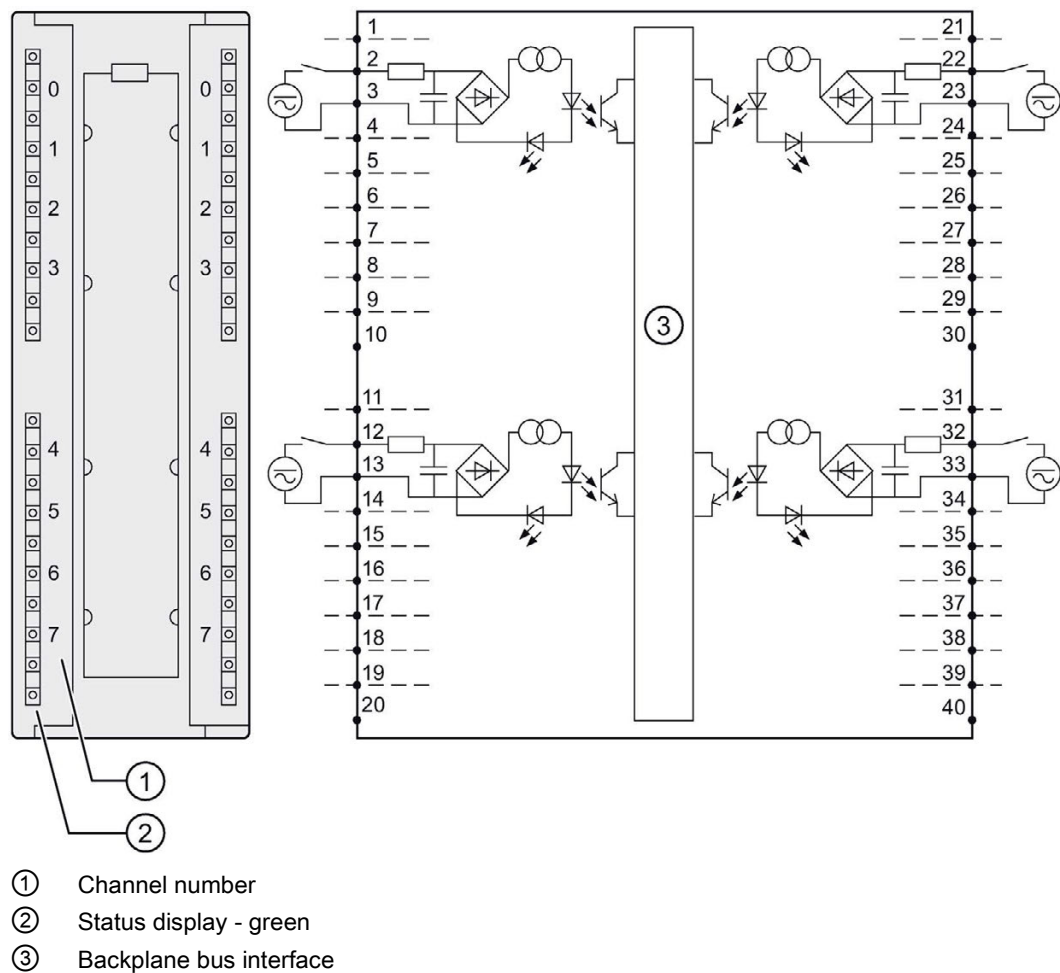
6ES7321-1CH00-0AA0

Properties

Properties of SM 321; DI 16 x UC24/48 V:

- 16 inputs, electrically isolated
- Electrical isolation between channels of 120 V AC
- Rated input voltage 24 VDC/VAC to 48 VDC/VAC
- Inputs are autarkic and can be wired to suit any configuration

Wiring and block diagram of SM 321; DI 16 x UC 24/48 V



SM 321; DI 16 x UC 24/48 V - Technical specifications

Technical specifications	
Dimensions and weight	
Dimensions W x H x D	40 x 125 x 117
Weight	ca. 260 g
Module-specific data	
Supports isochronous mode	no
Number of inputs	16
Cable length	
<ul style="list-style-type: none"> • unshielded • shielded 	max. 600 m max. 1000 m
Voltages, currents, electrical potentials	
Number of simultaneously controlled inputs	
<ul style="list-style-type: none"> • horizontal mounting position up to 60 °C 	16
<ul style="list-style-type: none"> • other mounting positions up to 40 °C 	16
Electrical isolation	
<ul style="list-style-type: none"> • Between channels and the backplane bus 	Yes
<ul style="list-style-type: none"> • between channels In groups of	Yes 1
Maximum potential difference	
<ul style="list-style-type: none"> • Between channels and the backplane bus 	170 VDC, 120 VAC
<ul style="list-style-type: none"> • between inputs of different groups 	170 VDC, 120 VAC
Isolation test voltage	
<ul style="list-style-type: none"> • Between channels and the backplane bus 	1500 VAC
<ul style="list-style-type: none"> • between inputs of different groups 	1500 VAC
Current consumption	
<ul style="list-style-type: none"> • from the backplane bus 	100 mA max.
Power loss of the module	
<ul style="list-style-type: none"> • Operation with 24 V • Operation with 48 V 	typ. 1.5 W typ. 2.8 W
Status, interrupts, diagnostics	
Status display	green LED per channel
Interrupts	none
Diagnostic functions	none

3.14 Digital input module SM 321; DI 16 x UC 24/48 V; (6ES7321-1CH00-0AA0)

Technical specifications	
Sensor selection data	
Input voltage	
<ul style="list-style-type: none"> Rated value 	24 VDC/VAC or 48 VDC/VAC
<ul style="list-style-type: none"> "1" signal "0" signal Frequency band 	14 V to 60 V -5 V to 5 V 0 Hz to 63 Hz
Input current	
<ul style="list-style-type: none"> "1" signal "0" signal 	typ. 2.7 mA -1 mA to +1 mA
Input delay	
<ul style="list-style-type: none"> "0" to "1" transition "1" to "0" transition 	max. 16 ms max. 16 ms
Input characteristics	to IEC 61131, type 1
Connection of 2-wire BEROs	supported
<ul style="list-style-type: none"> Permissible quiescent current 	max. 1 mA
Wiring of the signal sensors	using a 40-pin front connector

3.15 Digital input module SM 321; DI 16 x DC 48-125 V; (6ES7321-1CH20-0AA0)

Order number: "Standard module"

6ES7321-1CH20-0AA0

Order number: "SIPLUS S7-300 module"

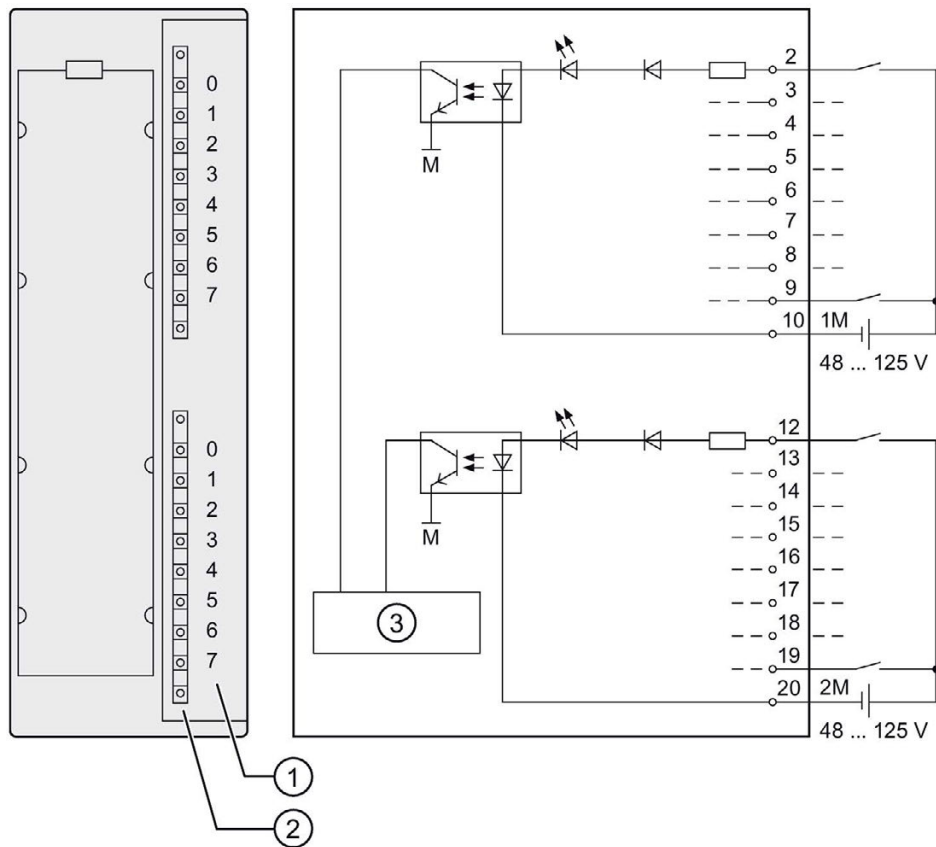
6AG1321-1CH20-2AA0

Properties

Properties of SM 321; DI 16 x DC 48-125 V:

- 16 inputs, electrically isolated in groups of 8
- Rated input voltage 48 VDC to 125 VDC
- suitable for switches and 2- /3-/4-wire proximity switches (BEROs)

Wiring and block diagram of SM 321; DI 16 x DC 48-125 V



- ① Channel number
- ② Status display - green
- ③ Backplane bus interface

SM 321; DI 16 x DC 48-125 V - Technical specifications

Technical specifications		
Dimensions and weight		
Dimensions W x H x D (mm)	40 x 125 x 120	
Weight	ca. 200 g	
Module-specific data		
Supports isochronous mode	no	
Number of inputs	16	
Cable length		
<ul style="list-style-type: none"> • unshielded • shielded 	max. 600 m max. 1000 m	
Voltages, currents, electrical potentials		
Number of simultaneously controlled inputs per group at U_i	to 60 V	to 146 V
<ul style="list-style-type: none"> • horizontal mounting position 		
to 50 °C	8	8
to 60 °C	8	6
<ul style="list-style-type: none"> • vertical mounting position 	8	8
to 40 °C		
Electrical isolation		
<ul style="list-style-type: none"> • between channels and the backplane bus 	yes	
<ul style="list-style-type: none"> • between channels in groups of 	yes 8	
Maximum potential difference		
<ul style="list-style-type: none"> • between different circuits 	146 VDC / 132 VAC	
Isolation test voltage	1500 VDC	
Current consumption		
<ul style="list-style-type: none"> • from the backplane bus 	max. 40 mA	
Power loss of the module	typ. 4.3 W	
Status, interrupts, diagnostics		
Status display	green LED per channel	
Interrupts	none	
Diagnostic functions	none	

Technical specifications	
Sensor selection data	
Input voltage	
• Rated value	48 VDC to 125 VDC
• "1" signal	30 V to 146 V
• "0" signal	-146 V to 15 V
Input current	
• "1" signal	typ. 3.5 mA
Input delay	
• "0" to "1" transition	0.1 ms to 3.5 ms
• "1" to "0" transition	0.7 ms to 3.0 ms
Input characteristics	to IEC 61131, type 1
Connection of 2-wire BEROs	supported
• Permissible quiescent current	max. 1 mA
Wiring the signal transducers	using a 20-pin front connector

3.16 Digital input module SM 321; DI 16 x AC 120/230 V; (6ES7321-1FH00-0AA0)

Order number

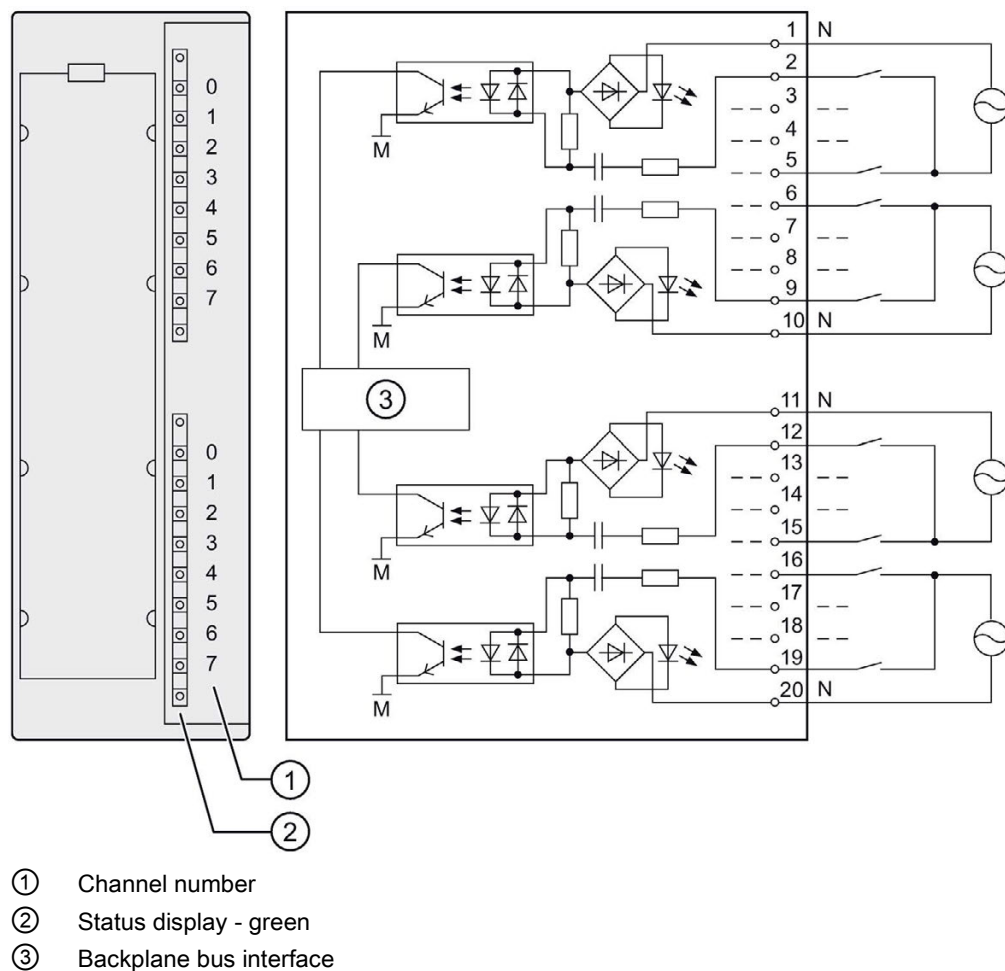
6ES7321-1FH00-0AA0

Properties

Properties of SM 321, DI 16 x AC 120/230 V:

- 16 inputs, electrically isolated in groups of 4
- Rated input voltage 120/230 VAC
- Suitable for switches and 2-/3-wire proximity switches (AC)

Wiring and block diagrams of SM 321; DI 16 x AC 120/230 V



SM 321; DI 16 x AC 120/230 V- Technical specifications

Technical specifications	
Dimensions and weight	
Dimensions W x H x D	40 x 125 x 117
Weight	ca. 240 g
Module-specific data	
Supports isochronous mode	no
Number of inputs	16
Cable length	
<ul style="list-style-type: none"> • unshielded • shielded 	max. 600 m max. 1000 m
Voltages, currents, electrical potentials	
Rated load voltage L1 All load voltages must be connected to a common phase	120/230 V
Number of simultaneously controlled inputs	
<ul style="list-style-type: none"> • Horizontal mounting position to 60 °C 	16
<ul style="list-style-type: none"> • Vertical mounting position to 40 °C 	16
Electrical isolation	
<ul style="list-style-type: none"> • Between channels and the backplane bus 	Yes
<ul style="list-style-type: none"> • between channels in groups of 	Yes 4
Maximum potential difference	
<ul style="list-style-type: none"> • between M_{internal} and inputs 	230 VAC
<ul style="list-style-type: none"> • between inputs of different groups 	500 VAC
Isolation test voltage	4000 VDC
Current consumption	
<ul style="list-style-type: none"> • from the backplane bus 	max. 29 mA
Power loss of the module	typ. 4.9 W
Status, interrupts, diagnostics	
Status display	green LED per channel
Interrupts	none
Diagnostic functions	none

Technical specifications	
Sensor selection data	
Input voltage <ul style="list-style-type: none"> • Rated value • "1" signal • "0" signal • Frequency band 	120/230 VAC 79 V to 264 V 0 V to 40 V 47 Hz to 63 Hz
Input current <ul style="list-style-type: none"> • "1" signal 120 V, 60 Hz 230 V, 50 Hz	typ. 6.5 mA typ. 16.0 mA
Input delay <ul style="list-style-type: none"> • "0" to "1" transition • "0" to "1" transition 	max. 25 ms max. 25 ms
Input characteristics	to IEC 61131, type 1
Connection of 2-wire BEROs <ul style="list-style-type: none"> • Permissible quiescent current 	supported max. 2 mA
Wiring the signal transducers	using a 20-pin front connector

3.17 Digital input module SM 321; DI 8 x AC 120/230 V; (6ES7321-1FF01-0AA0)

Order number: "Standard module"

6ES7321-1FF01-0AA0

Order number: "SIPLUS S7-300 module"

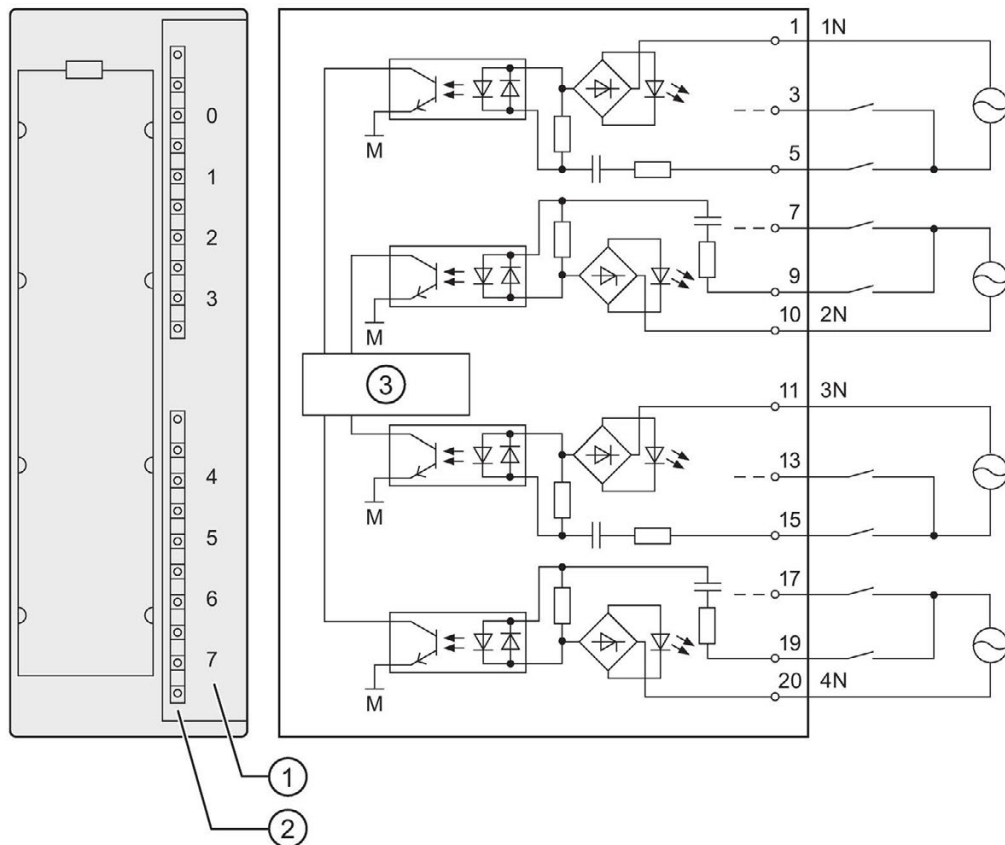
6AG1321-1FF01-2AA0

Properties

Properties of SM 321, DI 8 x AC 120/230 V:

- 8 inputs, electrically isolated in groups of 2
- Rated input voltage 120/230 VAC
- suitable for switches and 2-/3-wire AC proximity switches

Wiring and block diagram of SM 321; DI 8 x AC 120/230 V



- ① Channel number
- ② Status display - green
- ③ Backplane bus interface

SM 321; DI 8 x AC 120/230 V - Technical specifications

Technical specifications	
Dimensions and weight	
Dimensions W x H x D (mm)	40 x 125 x 117
Weight	ca. 240 g
Module-specific data	
Supports isochronous mode	no
Number of inputs	8
Cable length	
<ul style="list-style-type: none"> • unshielded • shielded 	max. 600 m max. 1000 m
Voltages, currents, electrical potentials	
Number of simultaneously controlled inputs	
<ul style="list-style-type: none"> • horizontal mounting position to 60 °C 	8
<ul style="list-style-type: none"> • vertical mounting position to 40 °C 	8
Electrical isolation	
<ul style="list-style-type: none"> • between channels and the backplane bus 	yes
<ul style="list-style-type: none"> • between channels in groups of 	yes 2
Maximum potential difference	
<ul style="list-style-type: none"> • between M_{internal} and inputs 	230 VAC
<ul style="list-style-type: none"> • between inputs of different groups 	500 VAC
Isolation test voltage	4000 VDC
Current consumption	
<ul style="list-style-type: none"> • from the backplane bus 	max. 29 mA
Power loss of the module	typ. 4.9 W
Status, interrupts, diagnostics	
Status display	green LED per channel
Interrupts	none
Diagnostic functions	none

Technical specifications	
Sensor selection data	
Input voltage <ul style="list-style-type: none"> Rated value "1" signal "0" signal Frequency band 	120/230 VAC 79 V to 264 V 0 V to 40 V 47 Hz to 63 Hz
Input current <ul style="list-style-type: none"> "1" signal 120 V, 60 Hz 230 V, 50 Hz	typ. 6.5 mA typ. 11 mA
Input delay <ul style="list-style-type: none"> "0" to "1" transition "1" to "0" transition 	max. 25 ms max. 25 ms
Input characteristics	to IEC 61131, type 1
Connection of 2-wire BEROs <ul style="list-style-type: none"> Permissible quiescent current 	supported max. 2 mA
Wiring of the signal transducers	using a 20-pin front connector

3.18 Digital input module SM 321; DI 8 x AC 120/230 V ISOL; (6ES7321-1FF10-0AA0)

Order number

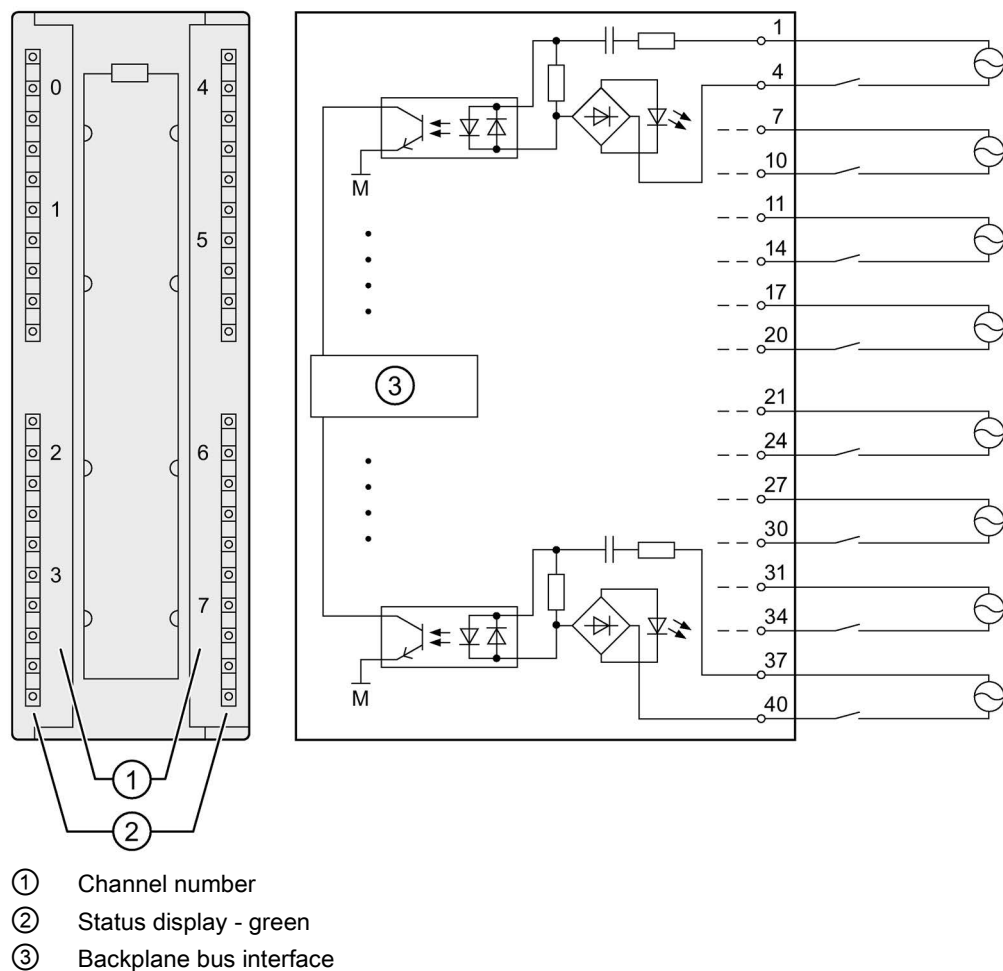
6ES7321-1FF10-0AA0

Properties

Properties of the digital input module SM 321; DI 8 x AC 120/230 V ISOL:

- 8 inputs, electrically isolated in groups of 1
- Rated input voltage 120/230 VAC
- Suitable for switches and 2-/3-/4-wire AC proximity switches

Wiring and block diagrams of SM 321; DI 8 x AC 120/230 V ISOL



SM 321; DI 8 x AC 120/230 V ISOL - Technical specifications

Technical specifications	
Dimensions and weight	
Dimensions W × H × D	40 × 125 × 117
Weight	ca. 240 g
Module-specific data	
Supports isochronous mode	no
Number of inputs	8
Cable length	max. 600 m max. 1000 m
<ul style="list-style-type: none"> • unshielded • shielded 	
Voltages, currents, electrical potentials	
Rated load voltage L1 All load voltages must be connected to a common phase	120/230 VAC
Number of simultaneously controlled inputs	
<ul style="list-style-type: none"> • Horizontal mounting position to 60 °C 	8
<ul style="list-style-type: none"> • Vertical mounting position to 40 °C 	8
Electrical isolation	
<ul style="list-style-type: none"> • Between channels and the backplane bus 	Yes
<ul style="list-style-type: none"> • between channels in groups of 	Yes 1
Maximum potential difference	
<ul style="list-style-type: none"> • between M_{internal} and inputs 	230 VAC
<ul style="list-style-type: none"> • between inputs of different groups 	500 VAC
Isolation test voltage	
<ul style="list-style-type: none"> • between M_{internal} and inputs 	1500 VAC
<ul style="list-style-type: none"> • between inputs of different groups 	2000 VAC
Current consumption	
<ul style="list-style-type: none"> • from the backplane bus 	max. 100 mA
Power loss of the module	typ. 4.9 W
Status, interrupts, diagnostics	
Status display	green LED per channel
Interrupts	none
Diagnostic functions	none

3.18 Digital input module SM 321; DI 8 x AC 120/230 V ISOL; (6ES7321-1FF10-0AA0)

Technical specifications	
Sensor selection data	
Input voltage <ul style="list-style-type: none"> • Rated value • "1" signal • "0" signal • Frequency band 	120/230 VAC 79 V to 264 V 0 V to 40 V 47 Hz to 63 Hz
Input current <ul style="list-style-type: none"> • "1" signal 120 V, 60 Hz 230 V, 50 Hz	typ. 7.5 mA typ. 17.3 mA
Input delay <ul style="list-style-type: none"> • "0" to "1" transition • "0" to "1" transition 	max. 25 ms max. 25 ms
Input characteristics	to IEC 61131, type 1
Connection of 2-wire BEROs	supported
<ul style="list-style-type: none"> • Permissible quiescent current 	max. 2 mA
Wiring of the signal sensors	using a 40-pin front connector

3.19 Digital output module SM 322; DO 64 x DC 24 V/0.3 A sourcing; (6ES7322-1BP00-0AA0)

Order number

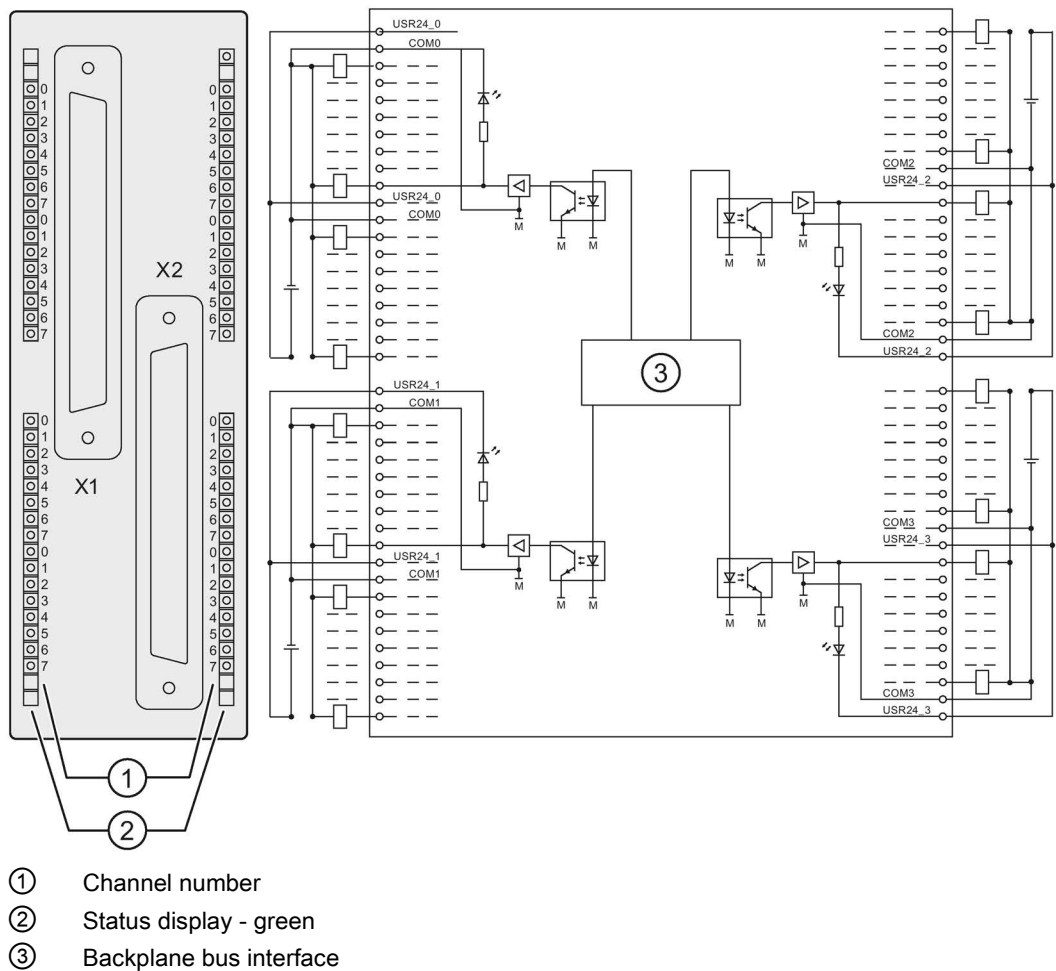
6ES7322-1BP00-0AA0

Properties

Properties of SM 322; DO 64 x DC 24 V/0,3 A Sourcing:

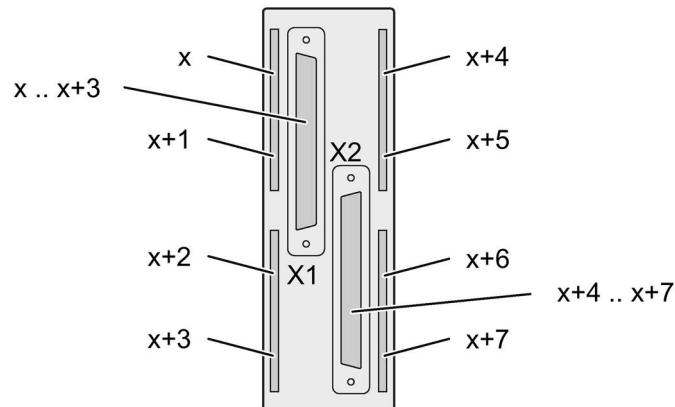
- 64 outputs, isolated in 4 groups of 16
- Rated load voltage 24 V DC

Wiring and block diagram of SM 322; DO 64 x DC 24 V/0,3 A Sourcing



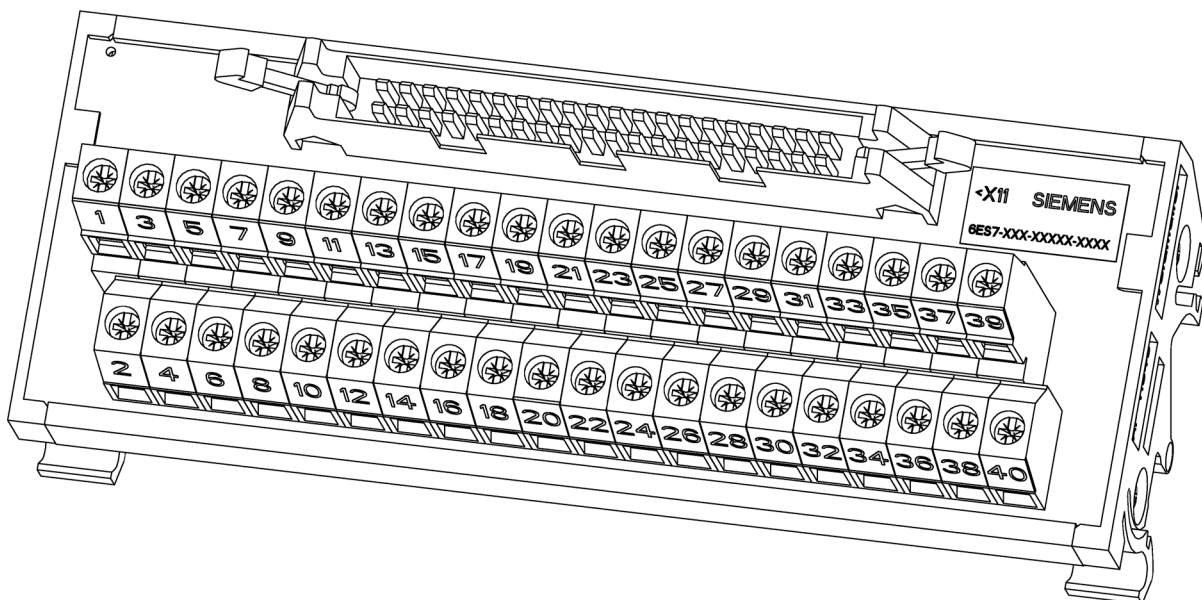
Terminal assignment of SM 322; DO 64 x DC 24 V/0,3 A Sourcing

The figure below shows how channels are assigned to addresses (output byte x up to output byte $x+7$).



40-pin terminal block

SM 322; DO 64 x DC 24 V/0,3 A Sourcing features two terminal blocks for connecting actuators and sensors to the module front connector. A connecting cable is used to establish the module connections.



3.19 Digital output module SM 322; DO 64 x DC 24 V/0.3 A sourcing; (6ES7322-1BP00-0AA0)

The table below shows how channel terminals are assigned to the connector for module SM 322; DO 64 x DC 24 V/0,3 A Sourcing.

Terminal	Function		Terminal	Function
1	O x.0		2	O x+2.0
3	O x.1		4	O x+2.1
5	O x.2		6	O x+2.2
7	O x.3		8	O x+2.3
9	O x.4		10	O x+2.4
11	O x.5		12	O x+2.5
13	O x.6		14	O x+2.6
15	O x.7		16	O x+2.7
17	1M		18	2M
19	1L+		20	2L+
21	O x+1.0		22	O x+3.0
23	O x+1.1		24	O x+3.1
25	O x+1.2		26	O x+3.2
27	O x+1.3		28	O x+3.3
29	O x+1.4		30	O x+3.4
31	O x+1.5		32	O x+3.5
33	O x+1.6		34	O x+3.6
35	O x+1.7		36	O x+3.7
37	1M		38	2M
39	1L+		40	2L+

Note

Connections x M and x L+ must be connected to a channel group.

Technical specifications of SM 322, DO 64 x DC 24 V, 0,3 A Sourcing

Technical specifications	
Dimensions and weight	
Dimensions (W x H x D) (mm)	40 x 125 x 112 (including protective barrier, required for connections which are not in use)
Weight	ca. 260 g
Module-specific data	
Supports isochronous mode	No
Number of outputs	64
Cable length <ul style="list-style-type: none"> • Unshielded • Shielded 	max. 600 m max. 1000 m
Voltages, currents, electrical potentials	
Rated load voltage L+	24 V DC
Total current of outputs (per group)	
For horizontal installation <ul style="list-style-type: none"> • Up to 25 °C • to 40 °C • to 60 °C 	max. 2.0 A max. 1.6 A max. 1.2 A
For vertical installation <ul style="list-style-type: none"> • to 40 °C • Up to 25 °C 	max. 1.6 A max. 2.0 A
Electrical isolation	
<ul style="list-style-type: none"> • Between channels and the backplane bus • Between channels <ul style="list-style-type: none"> – In groups of 	Yes Yes 16
Isolation test voltage	500 VDC
Current consumption <ul style="list-style-type: none"> • From the backplane bus • From the user 24 V (L+) (separately for each group; no load) 	Max. 100 mA Max. 75 mA
Power loss of the module	Typ. 6.0 W

Technical specifications	
Status, interrupts, diagnostics	
Status display	Green LED per channel
Interrupts	None
Diagnostic functions	None
Actuator selection data	
Output type	M switching
Output voltage	24 V DC
• "1" signal	L+ (-0.5 V)
Output current	
• "1" signal	
– Rated value	Typ. 0.3 A
– Permitted range	2.4 mA to 0.36 A
• "0" signal (residual current)	<100 µA
Output delay (resistive load)	
• "0" to "1" transition	<550 µs
• "1" to "0" transition	<550 µs
Load resistance range	80 Ω to 10 kΩ
Lamp load	Max. <5 W
Wiring two outputs in parallel	
• For redundant load control	supported (with external diode)
• For performance increase	not supported
Control of a digital input	supported
Switching frequency	
• with resistive load	Max. <100 Hz
• With inductive load to IEC 947-5-1, DC 13 ¹	Max. <0.5 Hz
• With lamp load	Max. <10 Hz
Internal limiting of the inductive shutdown voltage to:	53 V typ.
Short-circuit-proof output	Yes, electronic
• Response threshold:	0.7 A to 1.9 A typ.
Wiring of the actuators	Two 40-pin terminal blocks
¹ For loads above 200 mA, a terminal diode is required for the inductive load.	

STEP 7 integration

64-channel I/O modules are integrated with the HSP 2019 V 1.0. The HSP forms part of STEP 7 V 5.4 SP2 and can be installed from STEP 7 V 5.4 and higher.

GSD/GSDML files

The 64-channel I/O modules are supported by the ET 200M versions listed below. Download the corresponding GSD/GSDML files from the following link: on the Internet (<http://www.siemens.com/automation/service>).

- To search for PROFIBUS GSD files, type in the entry ID 113498.
- To search for PROFINET GSDML files, type in the entry ID: 25057900.

PROFIBUS

- IM 153-1, as of 6ES7153-1AA03-0XB0, E12 with GSD file SI01801D.*, version V 1.5
- IM 153-2, as of 6ES7153-2BA02-0XB0, E01 with GSD file SI04801E.*, version V 1.0

PROFINET

- IM 153-4 PN, as of 6ES7153-4AA00-0XB0 with GSDML file version V 2.1
- IM153-4 PN IO HF, as of 6ES7153-4BA00-0XB0 with GSDML file version V2.1

Using the module in S7-300 and ET 200M

If the station is configured with STEP 7, you can use the digital output module SM 322 with all CPUs in the following table. Startup cannot be performed if no configuration is loaded.

C-CPU (compact CPUs)	Order number
CPU 312C	6ES7312-5BD0x-0AB0
	6ES7312-5BE03-0AB0
	6ES7312-5BF04-0AB0
CPU 313C	6ES7313-5BE0x-0AB0
	6ES7313-5BF03-0AB0
	6ES7313-5BG04-0AB0
CPU 313C-2 DP	6ES7313-6CE0x-0AB0
	6ES7313-6CF03-0AB0
	6ES7313-6CG04-0AB0
CPU313C-2 PtP	6ES7313-6BE0x-0AB0
	6ES7313-6BF03-0AB0
	6ES7313-6BG04-0AB0
CPU 314C-2 DP	6ES7314-6CF0x-0AB0
	6ES7314-6CG03-0AB0
	6ES7314-6CH04-0AB0
CPU 314C-2 PtP	6ES7314-6BF0x--0AB0
	6ES7314-6BG03--0AB0
	6ES7314-6BH04-0AB0
CPU314C-2 PN/DP	6ES7314-6EH04-0AB0

M-CPU	Order number
CPU 312	6ES7312-1AD1x-0AB0
	6ES7312-1AE13-0AB0
	6ES7312-1AE14-0AB0
CPU 314	6ES7314-1AF1x-0AB0
	6ES7314-1AG13-0AB0
	6ES7314-1AG14-0AB0
CPU 315-2 DP	6ES7315-2AF0x-0AB0
	6ES7315-2AG10-0AB0
	6ES7315-2AH14-0AB0
CPU 316-2 DP	6ES7316-2AG00-0AB0
CPU 317-2 DP	6ES7317-2AJ10-0AB0
	6ES7317-2AK14-0AB0
CPU 315-2 PN/DP	6ES7315-2EG10-0AB0
	6ES7315-2EH13-0AB0
	6ES7315-2EH14-0AB0
CPU 317-2 PN/DP	6ES7317-2EJ10-0AB0
	6ES7317-2EK13-0AB0
	6ES7317-2EK14-0AB0
CPU 319-3 PN/DP	6ES7318-3EL00-0AB0
	6ES7318-3EL01-0AB0

F-CPU	Order number
CPU 315F-2 DP	6ES7315-6FF0x-0AB0
CPU 317F-2 DP	6ES7317-6FF0x-0AB0
CPU 315F-2 PN/DP	6ES7315-2FH1x-0AB0
	6ES7315-2FJ14-0AB0
CPU 317F-2 PN/DP	6ES7317-2FJ10-0AB0
	6ES7317-2FK13-0AB0
	6ES7317-2FK14-0AB0
CPU 319F-3 PN/DP	6ES7318-3FL00-0AB0
	6ES7318-3FL01-0AB0

T-CPU	Order number
CPU 315T-2 DP	6ES7315-6TG10-0AB0
CPU315T-3 PN/DP	6ES7315-7TJ10-0AB0
CPU 317T-2 DP	6ES7317-6TJ10-0AB0
CPU317TF-2 DP	6ES7317-6TF14-0AB0
CPU317T-3 PN/DP	6ES7317-7TK10-0AB0
CPU317TF-3 PN/DP	6ES7317-7UL10-0AB0

C7-CPU	Order number
C7-613	6ES7613-1CA01-0AE3
C7-635 Touch	6ES7635-2EB01-0AE3
C7-635 Key	6ES7635-2EC01-0AE3
C7-636 Touch	6ES7636-2EB00-0AE3
C7-636 Key	6ES7636-2EC00-0AE3

 **WARNING**

Use of the module

This module must be configured in a STEP 7 project in which the correct address assignment and allocation of the input/output point is ensured. Using the module without having first carried out this configuration work can lead to machines or processes operating in an unexpected manner.

If machines or processes do run in an unexpected manner, this can result in death, serious injury, and/or material damage.

3.20 Digital output module SM 322; DO 64 x DC 24 V/0.3 A Sinking (6ES7322-1BP50-0AA0)

Order number

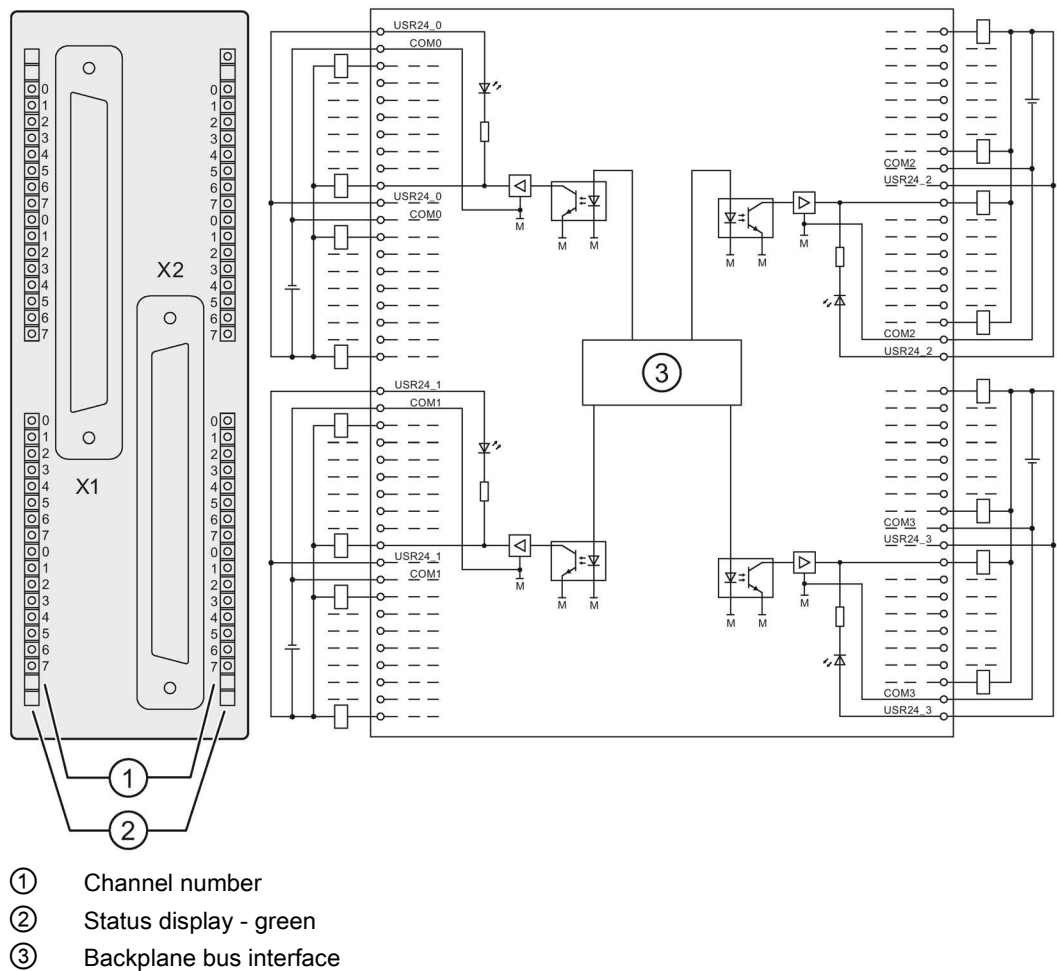
6ES7322-1BP50-0AA0

Properties

Characteristics of the SM 322; DO 64 x DC 24 V, 0,3 A Sinking digital output module:

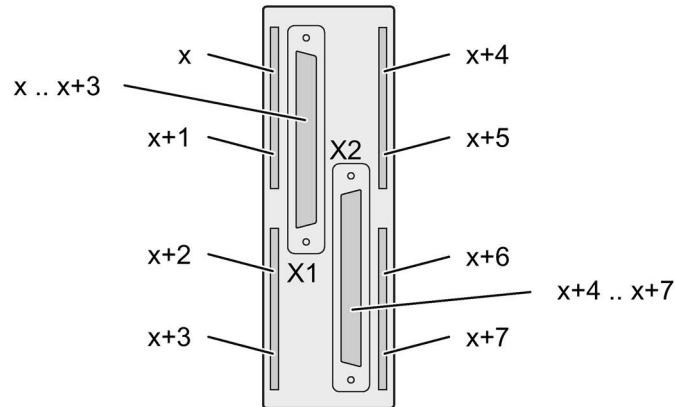
- 64 outputs, isolated in 4 groups of 16
- Rated load voltage 24 V DC

Wiring and block diagram of SM 322; DO 64 x DC 24 V, 0,3 A Sinking



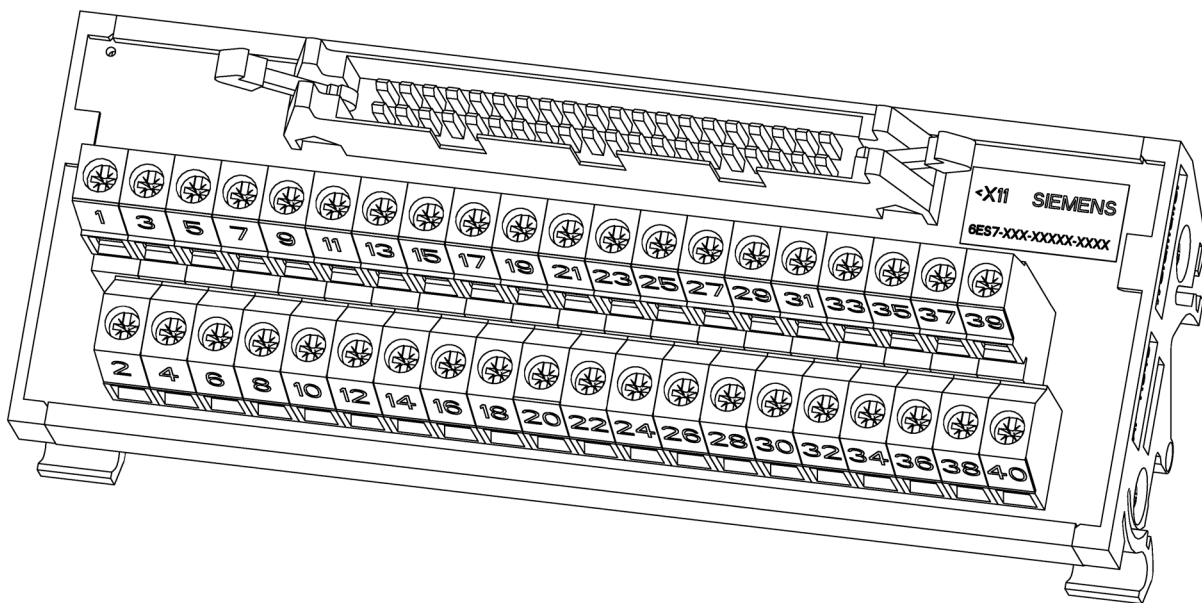
Terminal assignment of SM 322; DO 64 x DC 24 V, 0,3 A Sinking

The figure below shows how channels are assigned to addresses (output byte x to output byte $x+7$).



40-pin terminal block

SM 322; DO 64 x DC 24 V/0,3 A Sinking features two terminal blocks for connecting actuators and sensors to the module front connector. A connecting cable is used to establish the module connections.



The table below shows how channel terminals are assigned to the terminal block for module SM 322; DO 64 x DC 24 V/0,3 A Sinking..

Terminal	Function		Terminal	Function
1	O x.0		2	O x+2.0
3	O x.1		4	O x+2.1
5	O x.2		6	O x+2.2
7	O x.3		8	O x+2.3
9	O x.4		10	O x+2.4
11	O x.5		12	O x+2.5
13	O x.6		14	O x+2.6
15	O x.7		16	O x+2.7
17	1M		18	2M
19	1L+		20	2L+
21	O x+1.0		22	O x+3.0
23	O x+1.1		24	O x+3.1
25	O x+1.2		26	O x+3.2
27	O x+1.3		28	O x+3.3
29	O x+1.4		30	O x+3.4
31	O x+1.5		32	O x+3.5
33	O x+1.6		34	O x+3.6
35	O x+1.7		36	O x+3.7
37	1M		38	2M
39	1L+		40	2L+

Note

Terminals x M and x L+ must be connected on the terminal block.

Technical specifications of SM 322, DO 64 x DC 24 V, 0,3 A (Sinking)

Technical specifications	
Dimensions and weight	
Dimensions (W x H x D) (mm)	40 x 125 x 112 (including protective barrier, required for connections which are not in use)
Weight	ca. 260 g
Module-specific data	
Supports isochronous mode	No
Number of outputs	64
Cable length	
<ul style="list-style-type: none"> • Unshielded • Shielded 	Max. 600 m Max. 1000 m

3.20 Digital output module SM 322; DO 64 x DC 24 V/0.3 A Sinking (6ES7322-1BP50-0AA0)

Technical specifications	
Voltages, currents, electrical potentials	
Rated load voltage L+	24 V DC
Total current of outputs (per group)	
For horizontal installation <ul style="list-style-type: none"> Up to 25 °C to 40 °C to 60 °C 	max. 2.0 A max. 1.6 A max. 1.2 A
For vertical installation <ul style="list-style-type: none"> to 40 °C Up to 25 °C 	max. 1.6 A max. 2.0 A
Electrical isolation <ul style="list-style-type: none"> Between channels and the backplane bus Between channels In groups of	Yes Yes 16
Isolation test voltage	500 VDC
Current consumption <ul style="list-style-type: none"> From the backplane bus From load voltage L+ (no load) 	max. 100 mA max. 75 mA
Power loss of the module	Typ. 6.0 W
Status, interrupts, diagnostics	
Status display	Green LED per channel
Interrupts	None
Diagnostic functions	None
Actuator selection data	
Output type	Sinking
Output voltage <ul style="list-style-type: none"> "1" signal 	24 V DC M+ (0.5 V) at full load
Output current <ul style="list-style-type: none"> "1" signal <ul style="list-style-type: none"> Rated value Permitted range "0" signal (residual current) 	Typ. 0.3 A 2.4 mA to 0.36 A <100 µA
Output delay (resistive load) <ul style="list-style-type: none"> "0" to "1" transition "1" to "0" transition 	<450 µs <450 µs
Load resistance range	80 Ω to 10 kΩ
Lamp load	Max. 5 W
Wiring two outputs in parallel <ul style="list-style-type: none"> for redundant load control for performance increase 	supported (with external diode) not supported

Technical specifications	
Control of a digital input	supported
Switching frequency <ul style="list-style-type: none"> • With resistive load • With inductive load to IEC 947-5-1, DC 13¹ • With lamp load 	Max. 100 Hz Max. 0.5 Hz Max. 10 Hz
Internal limiting of the inductive shutdown voltage to:	Typ. 45 V
Short-circuit protection of the output <ul style="list-style-type: none"> • Response threshold 	Yes, electronic 1.7 A to 3.5 A typ.
Wiring of the actuators	Two 40-pin terminal blocks
¹ For loads above 200 mA, a terminal diode is required for the inductive load.	

Recommended fuse

Groups of outputs must be protected by a 4 A/125 V fast-blow fuse (recommended: Littelfuse 235 004P 125 V 4 A). If the fuse is installed in a danger zone in accordance with the National Electric Code (NEC), you must always use a suitable tool to remove it. Before removing or replacing the fuse, you must determine whether or not you are dealing with a danger zone.

STEP 7 integration

64-channel I/O modules are integrated with the HSP 2019 V 1.0. The HSP forms part of STEP 7 V 5.4 SP2 and can be installed from STEP 7 V 5.4 and higher.

GSD/GSDML files

The 64-channel I/O modules are supported by the ET 200M versions listed below. Download the corresponding GSD/GSDML files from the following link: on the Internet (<http://www.siemens.com/automation/service>).

- To search for PROFIBUS GSD files, type in the entry ID 113498.
- To search for PROFINET GSDML files, type in the entry ID: 25057900.

PROFIBUS

- IM 153-1, as of 6ES7153-1AA03-0XB0, E12 with GSD file SI01801D.*, version V 1.5
- IM 153-2, as of 6ES7153-2BA02-0XB0, E01 with GSD file SI04801E.*, version V 1.0

PROFINET

- IM 153-4 PN, as of 6ES7153-4AA00-0XB0 with GSDML file version V 2.1
- IM153-4 PN IO HF, as of 6ES7153-4BA00-0XB0 with GSDML file version V2.1

Using the module in S7-300 and ET 200M

If the station is configured with STEP 7, you can use the digital output module SM 322 with all CPUs in the following table. Startup cannot be performed if no configuration is loaded.


C-CPU (compact CPUs)	Order number
CPU 312C	6ES7312-5BD0x-0AB0
	6ES7312-5BE03-0AB0
	6ES7312-5BF04-0AB0
CPU 313C	6ES7313-5BE0x-0AB0
	6ES7313-5BF03-0AB0
	6ES7313-5BG04-0AB0
CPU 313C-2 DP	6ES7313-6CE0x-0AB0
	6ES7313-6CF03-0AB0
	6ES7313-6CG04-0AB0
CPU313C-2 PtP	6ES7313-6BE0x-0AB0
	6ES7313-6BF03-0AB0
	6ES7313-6BG04-0AB0
CPU 314C-2 DP	6ES7314-6CF0x-0AB0
	6ES7314-6CG03-0AB0
	6ES7314-6CH04-0AB0
CPU 314C-2 PtP	6ES7314-6BF0x-0AB0
	6ES7314-6BG03-0AB0
	6ES7314-6BH04-0AB0
CPU314C-2 PN/DP	6ES7314-6EH04-0AB0

M-CPU	Order number
CPU 312	6ES7312-1AD1x-0AB0
	6ES7312-1AE13-0AB0
	6ES7312-1AE14-0AB0
CPU 314	6ES7314-1AF1x-0AB0
	6ES7314-1AG13-0AB0
	6ES7314-1AG14-0AB0
CPU 315-2 DP	6ES7315-2AF0x-0AB0
	6ES7315-2AG10-0AB0
	6ES7315-2AH14-0AB0
CPU 316-2 DP	6ES7316-2AG00-0AB0
CPU 317-2 DP	6ES7317-2AJ10-0AB0
	6ES7317-2AK14-0AB0
CPU315-2 PN/DP	6ES7315-2EG10-0AB0
	6ES7315-2EH13-0AB0
	6ES7315-2EH14-0AB0
CPU317-2 PN/DP	6ES7317-2EJ10-0AB0
	6ES7317-2EK13-0AB0
	6ES7317-2EK14-0AB0
CPU 319-3 PN/DP	6ES7318-3EL00-0AB0
	6ES7318-3EL01-0AB0

F-CPUs	Order number
CPU 315F-2 DP	6ES7315-6FF0x-0AB0
CPU 317F-2 DP	6ES7317-6FF0x-0AB0
CPU315F-2 PN/DP	6ES7315-2FH1x-0AB0
	6ES7315-2FJ14-0AB0
CPU 317F-2 PN/DP	6ES7317-2FJ10-0AB0
	6ES7317-2FK13-0AB0
	6ES7317-2FK14-0AB0
CPU 319F-3 PN/DP	6ES7318-3FL00-0AB0
	6ES7318-3FL01-0AB0

T-CPUs	Order number
CPU 315T-2 DP	6ES7315-6TG10-0AB0
CPU315T-3 PN/DP	6ES7315-7TJ10-0AB0
CPU317T-2 DP	6ES7317-6TJ10-0AB0
CPU317TF-2 DP	6ES7317-6TF14-0AB0
CPU317T-3 PN/DP	6ES7317-7TK10-0AB0
CPU317TF-3 PN/DP	6ES7317-7UL10-0AB0

C7-CPUs	Order number
C7-613	6ES7613-1CA01-0AE3
C7-635 Touch	6ES7635-2EB01-0AE3
C7-635 Key	6ES7635-2EC01-0AE3
C7-636 Touch	6ES7636-2EB00-0AE3
C7-636 Key	6ES7636-2EC00-0AE3

<p> WARNING</p> <p>Use of the module</p> <p>This module must be configured in a STEP 7 project in which the correct address assignment and allocation of the input/output point is ensured. Using the module without having first carried out this configuration work can lead to machines or processes operating in an unexpected manner.</p> <p>If machines or processes do run in an unexpected manner, this can result in death, serious injury, and/or material damage.</p>

3.21 Digital output module SM 322; DO 32 x DC 24 V/ 0.5 A; (6ES7322-1BL00-0AA0)

Order number

6ES7322-1BL00-0AA0

Properties

Properties of SM 322; DO 32 x DC 24 V/0.5 A:

- 32 outputs, electrically isolated in groups of 8
- Output current 0.5 A
- Rated load voltage 24 V DC
- Suitable for solenoid valves, DC contactors and signal lamps

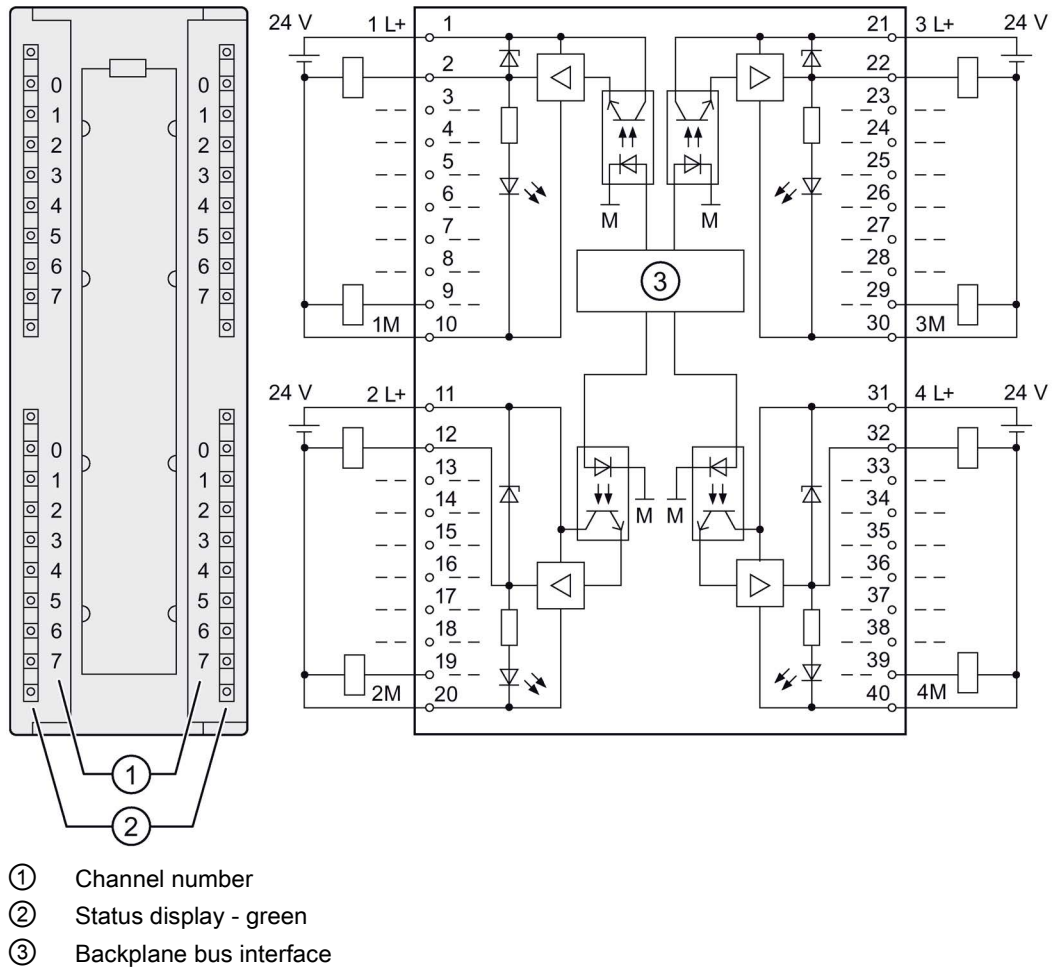
Use of the module with high-speed counters

Please note when using the module in combination with high-speed counters:

Note

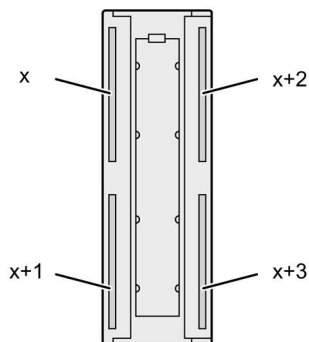
When using a mechanical contact to switch on the 24-V power supply to SM 322; DO 32 x DC 24 V/0.5 A, its outputs will carry "1" signal for the duration of ca. 50 µs due to the circuit structure.

Wiring and block diagram of SM 322; DO 32 x DC 24 V/ 0.5 A



Terminal assignment

The figure below shows the channel addressing (output byte x to output byte x+3).



SM 322; DO 32 x DC 24 V/ 0.5 A - Technical specifications

Technical specifications	
Dimensions and weight	
Dimensions W x H x D (mm)	40 x 125 x 117
Weight	ca. 260 g
Module-specific data	
Supports isochronous mode	no
Number of outputs	32
Cable length	
<ul style="list-style-type: none"> • unshielded • shielded 	max. 600 m max. 1000 m
Voltages, currents, electrical potentials	
Rated load voltage L+	24 V DC
Total current of outputs (per group)	
<ul style="list-style-type: none"> • horizontal mounting position to 40 °C to 60 °C 	max. 4 A max. 3 A
<ul style="list-style-type: none"> • vertical mounting position to 40 °C 	max. 2 A
Electrical isolation	
<ul style="list-style-type: none"> • between channels and the backplane bus 	yes
<ul style="list-style-type: none"> • between channels in groups of 	yes 8
Isolation test voltage	500 V DC
Current consumption	
<ul style="list-style-type: none"> • from the backplane bus • from load voltage L+ (no-load) 	max. 110 mA max. 160 mA
Power loss of the module	typ. 6.6 W
Status, interrupts, diagnostics	
Status display	green LED per channel
Interrupts	none
Diagnostic functions	none

Technical specifications	
Actuator selection data	
Output voltage	
<ul style="list-style-type: none"> "1" signal 	min. L + (- 0.8 V)
Output current	
<ul style="list-style-type: none"> "1" signal 	0.5 A
Rated value	5 mA to 0.6 A
Permitted range	
<ul style="list-style-type: none"> "0" signal (residual current) 	max. 0.5 mA
Output delay (resistive load)	
<ul style="list-style-type: none"> "0" to "1" transition 	max. 100 µs
<ul style="list-style-type: none"> "1" to "0" transition 	max. 500 µs
Load resistance range	48 Ω to 4 kΩ
Lamp load	max. 5 W
Wiring two outputs in parallel	
<ul style="list-style-type: none"> For redundant load control 	supported (only outputs of the same group)
<ul style="list-style-type: none"> For performance increase 	Not supported
Control of a digital input	Supported
Switching frequency	
<ul style="list-style-type: none"> with resistive load 	max. 100 Hz
<ul style="list-style-type: none"> with inductive load to IEC 947-5-1, DC 13 	max. 0.5 Hz
<ul style="list-style-type: none"> with lamp load 	max. 10 Hz
Internal limiting of the inductive shutdown voltage to	typ. L + (-53 V)
Short-circuit protection of the output	yes, electronic
<ul style="list-style-type: none"> Threshold 	typ. 1 A
Wiring of the actuators	using a 40-pin front connector

3.22 Digital output module SM 322; DO 32 x AC 120/230 V/1 A; (6ES7322-1FL00-0AA0)

Order number

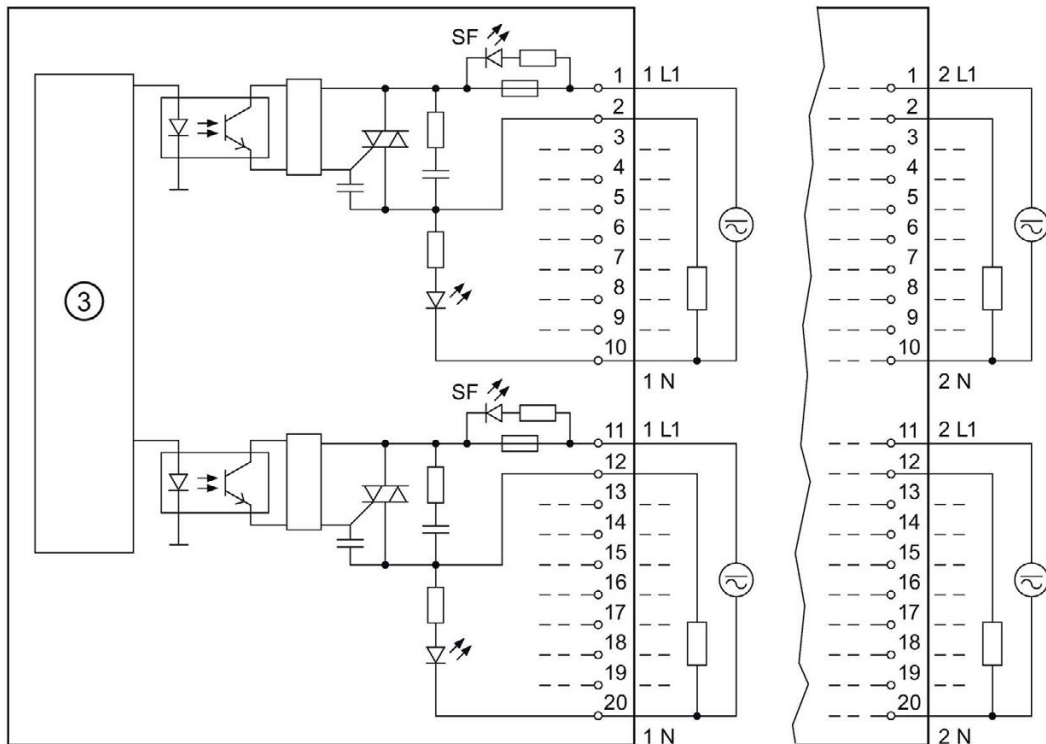
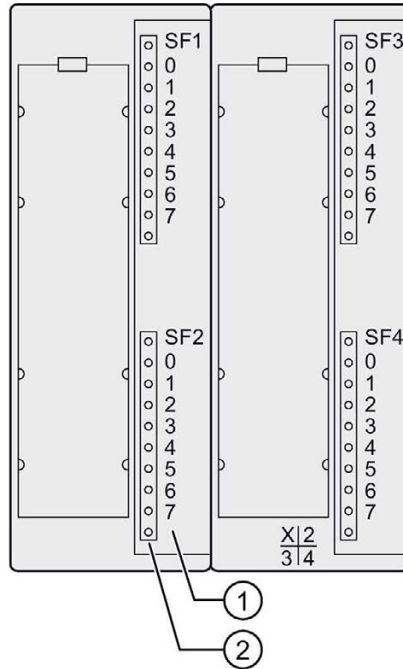
6ES7322-1FL00-0AA0

Properties

Properties of SM 322; DO 32 x AC 120/230 V/1 A:

- 32 outputs, fused and electrically isolated in groups of 8
- Output current 1.0 A
- Rated load voltage 120/230 VAC
- Blown fuse indicator for each group
- Suitable for AC solenoids, contactors, starters, FHP motors and signal lamps
- Group error display (SF)

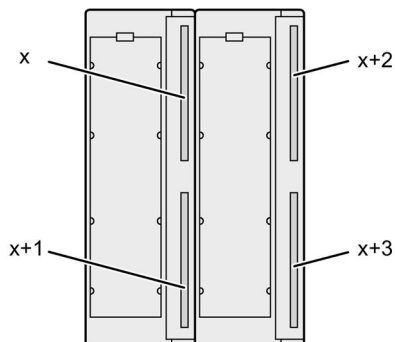
Wiring and block diagram of SM 322; DO 32 x AC 120/230 V/1 A



- ① Channel numbers
- ② Status display - green
Error LED - red
- ③ Backplane bus interface

Terminal assignment

The figure below shows the channel addressing (output byte x to output byte x+3).



SM 322; DO 32 x AC 120/230 V/1 A - Technical specifications

Technical specifications	
Dimensions and weight	
Dimensions W x H x D (mm)	80 x 125 x 117
Weight	ca. 500 g
Module-specific data	
Supports isochronous mode	no
Number of outputs	32
Cable length	
• unshielded	max. 600 m
• shielded	max. 1000 m
Voltages, currents, electrical potentials	
Rated load voltage L1	120/230 VAC
• Maximum frequency range	47 Hz to 63 Hz
Total current of outputs (per group)	
• horizontal mounting position to 60 °C to 40 °C	max. 3 A max. 4 A
• vertical mounting position to 40 °C	max. 4 A
Electrical isolation	
• between channels and the backplane bus	yes
• between channels in groups of	yes 8
Maximum potential difference	
• between M _{internal} and outputs	250 VAC
• between outputs of different groups	250 VAC

Technical specifications	
Isolation test voltage	4000 VDC
Current consumption <ul style="list-style-type: none"> from the backplane bus from load voltage L1 (no-load) 	max. 190 mA max. 10 mA
Power loss of the module	typ. 25 W
Status, interrupts, diagnostics	
Status display	green LED per channel
Interrupts	no
Diagnostic functions <ul style="list-style-type: none"> Group error display 	yes red LED (SF)
Actuator selection data	
Output voltage <ul style="list-style-type: none"> "1" signal 	min. L1 (-0.8 V)
Output current <ul style="list-style-type: none"> "1" signal Rated value Permitted range Maximum inrush current (per group)	1 A 10 mA to 1 A 10 A (for two AC cycles)
<ul style="list-style-type: none"> "0" signal (residual current) 	max. 2 mA
Output delay (resistive load)	
<ul style="list-style-type: none"> "0" to "1" transition "1" to "0" transition 	1 AC cycle 1 AC cycle
Blocking voltage zero transition	max. 60 V
Size of the motor starter	max. size 4 to NEMA
Lamp load	max. 50 W
Wiring two outputs in parallel	
<ul style="list-style-type: none"> for redundant load control for performance increase 	supported (only outputs of the same group) not supported
Control of a digital input	supported
Switching frequency <ul style="list-style-type: none"> with resistive load with inductive load to IEC 947-5-1, AC 15 with lamp load 	max. 10 Hz max. 0.5 Hz 1 Hz
Short-circuit protection of the output	no
Wiring of the actuators	using a 20-pin* front connector

*Requires two front connectors of the appropriate version

3.23 Digital output module SM 322; DO 16 x DC 24 V/ 0.5 A; (6ES7322-1BH01-0AA0)

Order number: "Standard module"

6ES7322-1BH01-0AA0

Order number: "SIPLUS S7-300 module"

6AG1322-1BH01-2AA0

Properties

Properties of SM 322; DO 16 x DC 24 V/0.5 A:

- 16 outputs, electrically isolated in groups of 8
- Output current 0.5 A
- Rated load voltage 24 V DC
- Suitable for solenoid valves, DC contactors and signal lamps

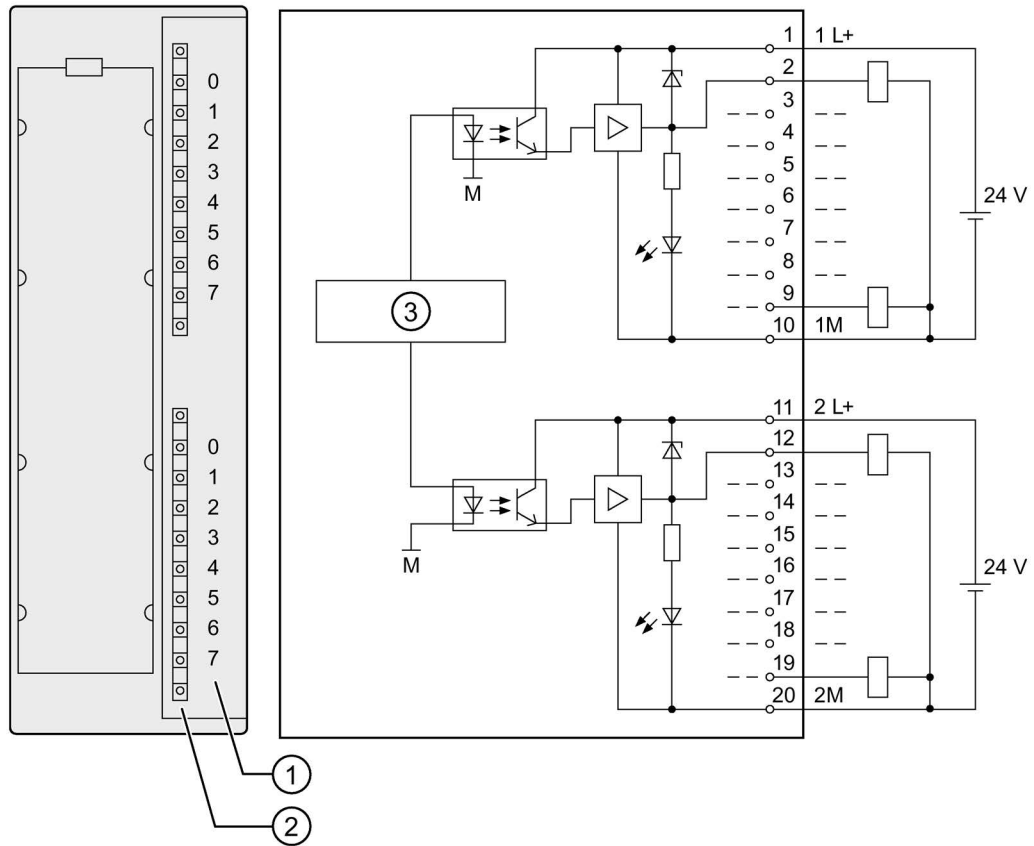
Use of the module with high-speed counters

Please note when using the module in combination with high-speed counters:

Note

When using a mechanical contact to switch on the 24-V power supply to SM 322; DO 16 x DC 24 V/0.5 A, its outputs will carry "1" signal for the duration of ca. 50 μ s, due to the circuit structure.

Wiring and block diagram of SM 322; DO 16 x DC 24 V/ 0.5 A



- ① Channel number
- ② Status display - green
- ③ Backplane bus interface

SM 322; DO 16 x DC 24 V/0.5 A - Technical specifications

Table 3- 21

Technical specifications	
Dimensions and weight	
Dimensions W x H x D (mm)	40 x 125 x 117
Weight	ca. 190 g
Module-specific data	
Supports isochronous mode	no
Number of outputs	16
Cable length	
<ul style="list-style-type: none"> • unshielded • shielded 	max. 600 m max. 1000 m
Voltages, currents, electrical potentials	
Rated load voltage L+	24 V DC
Total current of outputs (per group)	
<ul style="list-style-type: none"> • horizontal mounting position to 40 °C to 60 °C 	max. 4 A max. 3 A
<ul style="list-style-type: none"> • vertical mounting position to 40 °C 	max. 2 A
Electrical isolation	
<ul style="list-style-type: none"> • between channels and the backplane bus 	yes
<ul style="list-style-type: none"> • between channels in groups of 	yes 8
Isolation test voltage	500 V DC
Current consumption	
<ul style="list-style-type: none"> • from the backplane bus • from load voltage L+ (no-load) 	max. 80 mA max. 80 mA
Power loss of the module	typ. 4.9 W
Status, interrupts, diagnostics	
Status display	green LED per channel
Interrupts	none
Diagnostic functions	none

Technical specifications	
Actuator selection data	
Output voltage • "1" signal	min. L + (- 0.8 V)
Output current • "1" signal Rated value Permitted range	0.5 A 5 mA to 0.6 A
• "0" signal (residual current)	Max. 0.5 mA
Output delay (resistive load) • "0" to "1" transition • "1" to "0" transition	max. 100 µs max. 500 µs
Load resistance range	48 Ω to 4 kΩ
Lamp load	max. 5 W
Wiring two outputs in parallel • For redundant load control • For performance increase	Supported (only outputs of the same group) Not supported
Control of a digital input	Supported
Switching frequency • with resistive load • with inductive load to IEC 947-5-1, DC 13 • with lamp load	max. 100 Hz max. 0.5 Hz max. 10 Hz
Internal limiting of the inductive shutdown voltage to	typ. L + (-53 V)
Short-circuit protection of the output • Threshold	yes, electronic typ. 1 A
Wiring of the actuators	using a 20-pin front connector

3.24 Digital output module SM 322; DO 16 x DC 24 V/0.5 A: (6ES7322-8BH10-0AB0)

Order number

6ES7322-8BH10-0AB0

Order number: "SIPLUS S7-300 module"

6AG1322-8BH10-7AB0

Properties

The digital output module SM 322; DO 16 x DC24 V/0.5 A is distinguished by the following properties:

- 16 outputs, electrically isolated in groups of 4 channels
- A nominal load voltage of 24 V DC
- Configurable diagnostics
- Programmable diagnostic interrupt
- Redundant
- Wire break at "0" and "1" signal
- Identification Data
- Firmware update possible

Use of the module with high-speed counters

Please note when using the module in combination with high-speed counters.

Note

When using a mechanical contact to switch on the 24-V power supply to SM 322; DO 16 x DC 24 V/0.5 A, its outputs will carry "1" signal for the duration of ca. 50 µs, due to the circuit structure.

Using the module

For the use of the SM 322; DO 16 x DC24V/0.5A, the following hardware and software requirements must be fulfilled:

- For the central use in S7-300, the module can be used with all available CPUs.
- For the decentral use in ET 200M, the module can be used with the following IM 153-modules and compatible successor modules:
 - IM 153-2; as of 6ES7153-2BA02-0XB0, (PROFIBUS).
 - IM 153-2; as of 6ES7153-2BA82-0XB0; (PROFIBUS, OUTDOOR).
 - IM 153-4; as of 6ES7153-4BA0x-0XB0; (PROFINET).
- Requirement: STEP 7 V5.5 (HSP0217) or higher.
- A GSD file or a GSDML file must be used if the module is part of a distributed and controlled by a master produced by a third-party manufacturer. The corresponding file for the selected IM 153 is available for download from the Internet (<http://www.siemens.com/automation/service&support>).
- Module diagnosis and identification data (I&M) are available through STEP 7 and with SIMATIC PDM as of V6.0 + SP5 (HSP0217) or SIMATIC PDM V7.0 or higher and EDD for ET 200M "DP_IOSystem_Siemens_ET200M_Module.Device" as of V1.1.12.

Compatible use of the module 6ES7322-8BH0x-0AB0

You can replace the digital output module 6ES7322-8BH0x-0AB0 without changing your settings through a digital output module 6ES7322-8B10-0AB0.

In this case, the module does not offer discrepancy failure monitoring.

If a STEP 7 version before STEP 7 V5.1 SP3 is used, the replacement value behavior will only be entered through the parameter dialog from HW config and transferred to the module during system startup.

In this case, all other settings must be transferred through SIMATIC PDM or in the user program through datasets to the module.

These settings are not saved retentively on the digital output module 6ES7322-8B10-0AB0 and are reset after restarting the module.

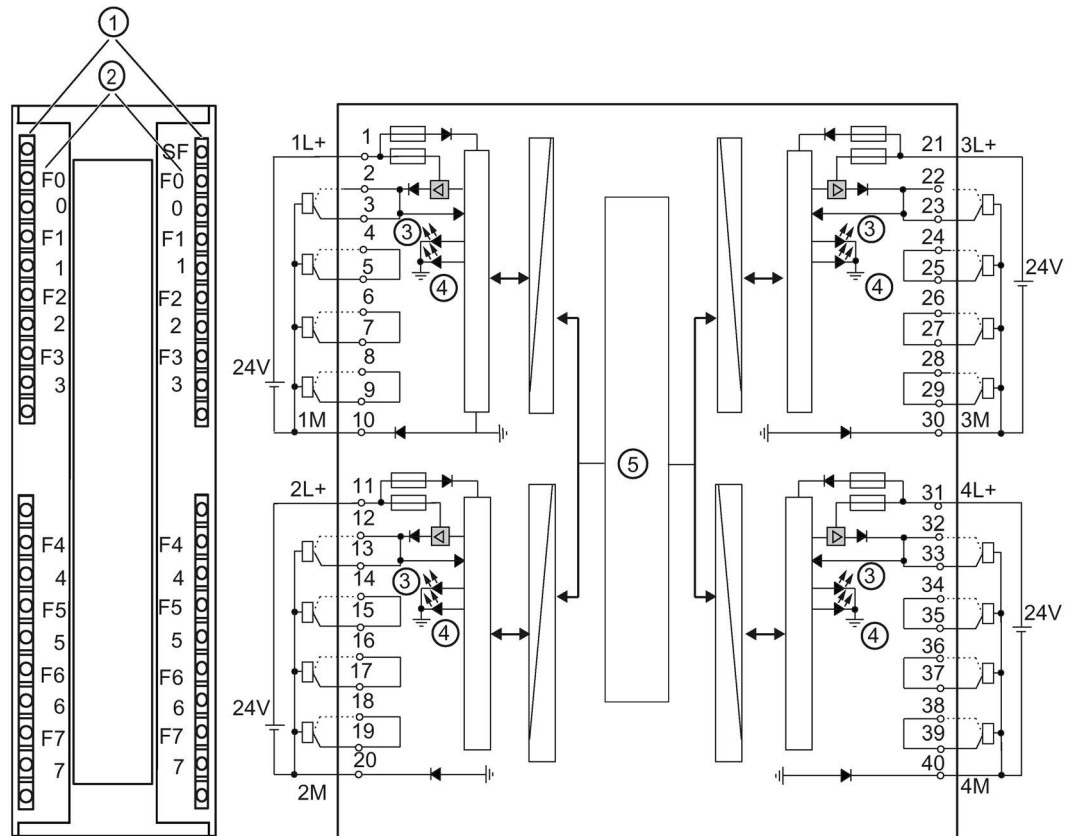
Note

A setting through SIMATIC PDM is only possible with the use of a 6ES7322-8B10-0AB0 as a replacement for a 6ES7322-8BH0x-0AB0 as long as the device label (6ES7322-8BH0x-0AB0) in SIMATIC PDM was not updated with the actual device label through Device -> Load in PC/PG.

Redundant use of the module

A redundant use of the module is only permissible if the 6ES7322-8B10-0AB0 is used and configured for both modules. No short-circuit monitoring occurs according to L+ in redundant use.

Wiring and block diagram



- ① Status displays - green
Error - red
- ② Channel numbers
Numbers 0 to 7 on the right side correspond to channel numbers 8 to 15
- ③ Channel status
- ④ Channel fault
- ⑤ Backplane bus interface

Redundant Output Signals

Two clamps are on each channel. Both connections are similar and can be used for a redundant control of an actuator. Redundant control can take place from 2 different modules without an external circuit. Both signal modules must be connected to the common reference potential M.

Technical specifications

Table 3- 22 Technical specifications SM 322; DO 16 x DC 24V/0.5A

Technical specifications	
Dimensions and Weight	
Dimensions W x H x D (mm)	40 x 125 x 120
Weight	approx. 300 g
Module-specific data	
Supports isochronous mode	No
Number of outputs	16
Cable length	
<ul style="list-style-type: none"> Unshielded 	Max. 600 m
<ul style="list-style-type: none"> Shielded 	Max. 1000 m
Voltages, Currents, Potentials	
Nominal load voltage L+	24 V DC
<ul style="list-style-type: none"> Reverse polarity protection 	Yes
Total current of outputs (per group)	
<ul style="list-style-type: none"> Horizontal mounting position to 60 °C 	Max. 2 A
<ul style="list-style-type: none"> Vertical mounting position to 40 °C 	Max. 2 A
Electrical isolation	
<ul style="list-style-type: none"> Between channels and the backplane bus 	Yes
<ul style="list-style-type: none"> between channels in groups of 	yes 4
Insolation tested with	DC 500 V
Power consumption	
<ul style="list-style-type: none"> From the backplane bus 	Max. 100 mA
<ul style="list-style-type: none"> From load voltage L+ (without load) 	Max. 100 mA
Power dissipation of the module	Typically 6 W
Status, Interrupts, Diagnostics	
Status LEDs	Green LED per channel
Interrupts	
<ul style="list-style-type: none"> Diagnostic interrupt 	Programmable
Diagnostic functions	Programmable
<ul style="list-style-type: none"> Group error display 	Red LED (SF)
<ul style="list-style-type: none"> Channel error display 	red LED, per channel
<ul style="list-style-type: none"> Diagnostic information readable 	supported

Technical specifications	
Actuator selection data	
Output voltage	
• "1" signal	Min. L + (- 0.7 V)
• "0" signal	0.7 mA * R _L (R _L = load resistance value) max. 31 V for R _L = infinite
Output current	
• At signal "1" Nominal value Permitted range	0.5 A 5 mA up to 600 mA
• "0" signal (residual current)	Max. 0.7mA
Output delay (with resistive load)	
• At "1" to "0"	Max. 2.7 ms (including module cycle time)
• At "1" to "0"	Max. 2.7 ms (including module cycle time)
Load resistor range	48 Ω bis 4kΩ
Lamp load	Max. 5 W
Connecting 2 outputs in parallel	
• For redundant triggering of a load	supported
• To increase performance	Not possible
Control of a digital input	supported
Operating frequency	
• with resistive load	Max. 100 Hz
• With inductive load, to IEC 947-5-1, DC 13	Max. 2 Hz
• With lamp load	Max. 10 Hz
Limit (internal) of the inductive circuit interruption voltage to	Typical L+ (-68 V)
Short-circuit of an output	Yes, electronic
• Response threshold	Typical 1.4 A

Load resistances of the actuators

The load resistances of the actuators must be in the range from 48 Ω to 4 Ω. For larger values, a suitable resistance must be switched directly on the connection clamps of the actuator (observe the maximum power loss with signal "1").

The permissible rated voltage of the actuator must be greater than 28.2 V.

The lower response threshold of the actuator must be known in the operating temperature range or be determined experimentally. The output voltage of the module with signal "0" can be influenced through parallel switching of a resistance directly on the actuator connection clamps. With the selection of the resistance, the maximum power loss with signal "1" must be observed.

- Load resistances between 10 kΩ and 1 MΩ can be reported as short-circuits after L+.
- Unwired outputs or loads greater than 1 MΩ are reported as "wire-break".

3.24.1 Parameters of digital output modules

Programming

For general information on programming digital modules, refer to the chapter Programming digital modules (Page 58).

The table below describes the programmable parameters of SM 322; DO 16 x DC 24 V/0.5 A, including defaults.

Note

A setting of the module through SIMATIC PDM is not possible.

Table 3- 23 Setting for the digital output module SM 322; 6ES7322-8BH10-0AB0

Parameters	Value range	Default setting	Applicability
Diagnostics			
• Group diagnostics	Yes/no	no	Channel
• Load voltage L+ missing	Yes/no	No	Channel group
• Discrepancy error	Yes/no	No	Channel group
Diagnostics interrupt	yes/no	no	Module
Response at CPU-STOP	Substitute a value/ Keep last value	Substitute a value	Module
Substitute value	0/1	0	Channel

See also

Settings from the digital output module SM 322; DO 16 x DC 24 V/0.5 A (6ES7322-8BH10-0AB0) (Page 530)

3.24.2 Diagnosis of digital output modules

Introduction

General information in regards to the evaluation of the diagnosis messages can be found in the chapter Diagnosis of digital modules (Page 59) and the design and content of the individual bytes in the chapter Diagnosis data from the SM 322; DO 16 x DC24 V/0.5 A (6ES7322-8BH10-0AB0) (Page 590).

Channel errors are signaled with the channel error display (red LED per channel) and reported in the data record 1. As soon as at least one channel error display is lit, the group error display (SF) is also lit.

Module errors are signaled via the diagnostic data record 0/1 and only displayed via the the group error display (SF).

Group diagnostics

Through the "Group diagnostics" setting, the message from the channel-specific fields, with the exception of "external load voltage L+", for "Setting error" and the recognition of a discrepancy error can be turned off.

Load voltage L+ missing

The approval of the channel diagnostics "external load point L+" occurs in channel groups through the diagnostics setting "Missing load voltage L+". This means that if the load voltage fails, the error will be reported to all four channels of a channel group. Additionally, the module-specific message occurs in the byte 0 of the diagnostics dataset 0 / 1, "external auxiliary voltage missing". Even if the diagnostics of "Missing load voltage L+" is turned off for all channels/channel groups, the recognition within the module remains active. This means that if there is a failure of at least one load voltage, the module error will always be reported in the byte 0 of the diagnostics data set 0 / 1 "External auxiliary voltage missing".

Fuse blown

If a fuse is blown, it will always be reported to all four channels of a channel group. In addition to the channel message, there is always the module-specific message in the byte 3 of the diagnostics dataset 0 / 1 "Fuse defect". Even if the "Group diagnostics" setting is disabled by all channels, a defective fuse will always be reported as module error in the byte 3 of the diagnostics dataset 0 / 1 "Fuse defect".

Discrepancy error monitoring

For project engineering with the MLFB 6ES7322-8BH10-0AB0, the SM 322 DO 16 x DC24 V / 0.5A offers a discrepancy error monitoring.

The approval of the channel discrepancy error monitoring occurs in channel groups through the "Discrepancy error" diagnostics settings. With an approved discrepancy error monitoring, the module constantly checks the set and actual status of the corresponding digital outputs. With a recognized discrepancy, for example, due to a component defect on the digital module, the corresponding channel group will be turned off and the "Fuse defect" error will be reported to all affected channels in the channel group. After removal/insertion or restart of the module, the digital outputs will be reactivated and the discrepancy test runs again.

A discrepancy error is exclusively reported through the "Fuse defect" error. An additional indication through the byte 3 "Fuse defect" does not occur. Thus, a differentiation between the actual fuse blown and a discrepancy error is possible.

Description of the Diagnostic Evaluation

You can find a detailed description of how to evaluate diagnostic information in the STEP 7 online help.

3.24.3 Firmware update via HW Config

Introduction

The SM 322; DO 16 x DC 24V/0.5 A can be updated to the newest firmware version depending on the available compatible functional updates.

The most recent firmware versions are available from your Siemens representative or from the Internet (<http://www.siemens.com/automation/service&support>).

Preconditions / Requirements

- STEP 7 V5.5 +(HSP0217) or higher
- With a central use of the module in a S7-300, the firmware update must occur in the CPU-operating mode STOP. If the CPU is in the operating mode RUN, it may lead to unexpected behavior and the module is only available after a network off/network on.
- If the module is used in a distributed IO device ET 200M with active backplane bus modules (removal and insertion allowed), the a firmware update is also possible in the RUN CPU state.
- With a distributed use without active backplane bus modules, the firmware update is also possible in the RUN CPU state. Please observe that during the firmware update, the distributed IO device will be turned off shortly.

Firmware update

This is how you update the firmware of a central or distributed module:

1. Select the module SM 322; DO 16 x DC 24V/0.5 A in HW-config.
2. Select PLC > Update Firmware.
3. Use the "Browse" button to select the path to the firmware files (*.upd).
4. Click the "Run" button.
 - The module performs the firmware update.
5. You can find additional information in the STEP 7 Online Help.

Note

- During the firmware update, the OB 83 (alarm due to removing and inserting modules), the OB 85 (program execution error) and the OB 86 (error due to module rack failure) are opened. If the diagnostics alarm of the module is approved, the OB 82 (diagnostics alarm) will also be opened during the firmware update. Make sure that the OB is set correspondingly.
 - If the red LED (SF) on the module blinks, an error occurred during the firmware update and the update must be repeated. In this case, the bootloader version Ex.x.x is displayed in the online diagnostics.
 - A firmware update through HW-config is not permitted if the module is in redundant mode.
-

Identification of the firmware version

After the firmware update, you must label the firmware version on the module.

3.24.4 I&M identification data

Properties

I data: Information about the module, which is normally found on the module casing. I-data is write-protected. They include:

- Hardware release status
- Firmware release status
- Serial number

M data: System-dependent information (e.g. plant designation).

M data is created during configuration.

All identification data (I&M) is stored retentively in a module and supports you with the following tasks:

- Error search and repair in the system
- Testing the system configuration
- Finding changes to the system hardware.

The SM 322; DO 16 x DC 24V/0.5 A supports:

- I&M 0 (identification)
- I&M 1 (system identification / location identification)
- I&M 2 (installation date)
- I&M 3 (additional information)

Reading and writing the identification data with STEP 7

System-dependent information (M-data) is configured in the properties dialog of the module.

You obtain information on the module (I data) from the module status dialog. The system-dependent information on the module is displayed here too.

Note

Identification data can only be written for modules if the CPU is in the STOP operating mode.

Reading and writing the identification data with PDM

Through the "Identification" flap, the identification data is evaluated and transferred to the module. Location identification is not available in PDM.

Note

Identification data can only be written for modules if the CPU is in the STOP operating mode.

It is recommended to change at most one entry per download, if applicable, the transferring of the identification data must be activated multiple times.

3.25 Digital output module SM 322; DO 16 x DC 24 V/0.5 A High Speed; (6ES7322-1BH10-0AA0)

Order number

6ES7322-1BH10-0AA0

Properties

Properties of SM 322; DO 16 x DC 24 V/0.5 A High Speed:

- 16 outputs, electrically isolated in groups of 8
- Output current 0.5 A
- Rated load voltage 24 V DC
- Suitable for solenoid valves, DC contactors and signal lamps
- Supports isochronous mode

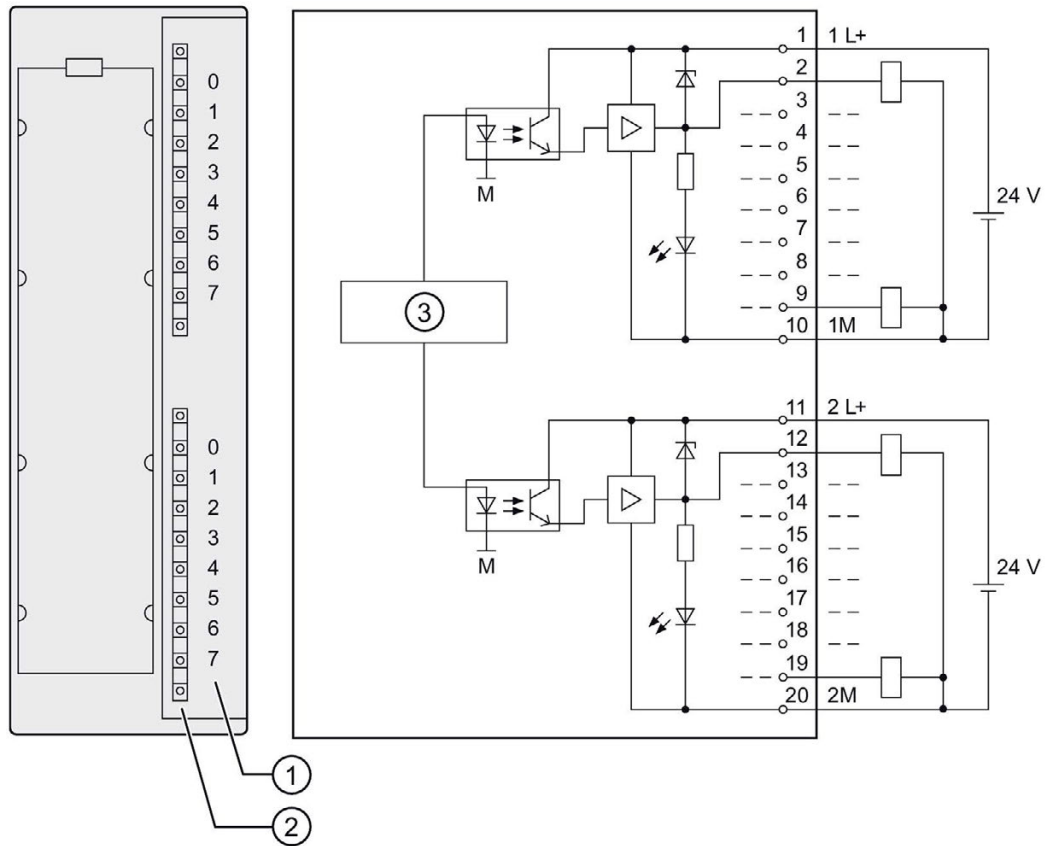
Use of the module with high-speed counters

Please note when using the module in combination with high-speed counters:

Note

When using a mechanical contact to switch on the 24-V power supply to SM 322; DO 16 x DC 24 V/0.5 A High Speed, its outputs will carry "1" signal for the duration of ca. 50 μ s, due to the circuit structure.

Wiring and block diagram of SM 322; DO 16 x DC 24 V/0.5 A High Speed



- ① Channel number
- ② Status display - green
- ③ Backplane bus interface

Technical specifications of SM 322; DO 16 x DC 24 V/0.5 A High Speed

Technical specifications	
Dimensions and weight	
Dimensions W x H x D (mm)	40 x 125 x 117
Weight	ca. 200 g
Module-specific data	
Supports isochronous mode	yes
Number of outputs	16
Cable length	
<ul style="list-style-type: none"> • unshielded • shielded 	max. 600 m max. 1000 m
Voltages, currents, electrical potentials	
Rated load voltage L+	24 V DC
Total current of outputs (per group)	
<ul style="list-style-type: none"> • horizontal mounting position to 40 °C to 60 °C 	max. 4 A max. 3 A
<ul style="list-style-type: none"> • vertical mounting position to 40 °C 	max. 2 A
Electrical isolation	
<ul style="list-style-type: none"> • between channels and the backplane bus 	yes
<ul style="list-style-type: none"> • between channels in groups of 	yes 8
Isolation test voltage	500 V DC
Current consumption	
<ul style="list-style-type: none"> • from the backplane bus • from load voltage L+ (no-load) 	max. 70 mA max. 110 mA
Power loss of the module	typ. 5 W
Status, interrupts, diagnostics	
Status display	green LED per channel
Interrupts	none
Diagnostic functions	none

Technical specifications	
Actuator selection data	
Output voltage • "1" signal	min. L + (- 0.8 V)
Output current • "1" signal Rated value Permitted range	0.5 A 5 mA to 0.6 A
• "0" signal (residual current)	Max. 0.5 mA
Output delay (resistive load) • "0" to "1" transition • "1" to "0" transition	max. 100 µs max. 200 µs
Internal module cycle time between the backplane bus and the output driver input • "0" to "1" transition • "1" to "0" transition	0.1 µs to 20 µs 0.1 µs to 20 µs
Load resistance range	48 Ω to 4 kΩ
Lamp load	max. 5 W
Wiring two outputs in parallel • For redundant load control • For performance increase	Supported (only outputs of the same group) Not supported
Control of a digital input	Supported
Switching frequency • with resistive load • with inductive load to IEC 947-5-1, DC 13 • with lamp load	max. 1000 Hz max. 0.5 Hz max. 10 Hz
Internal limiting of the inductive shutdown voltage to	typ. L + (-53 V)
Short-circuit protection of the output • Threshold	yes, electronic typ. 1 A
Wiring of the actuators	using a 20-pin front connector

3.26 Digital output module SM 322; DO 16 x UC 24/48 V; (6ES7322-5GH00-0AB0)

Order number

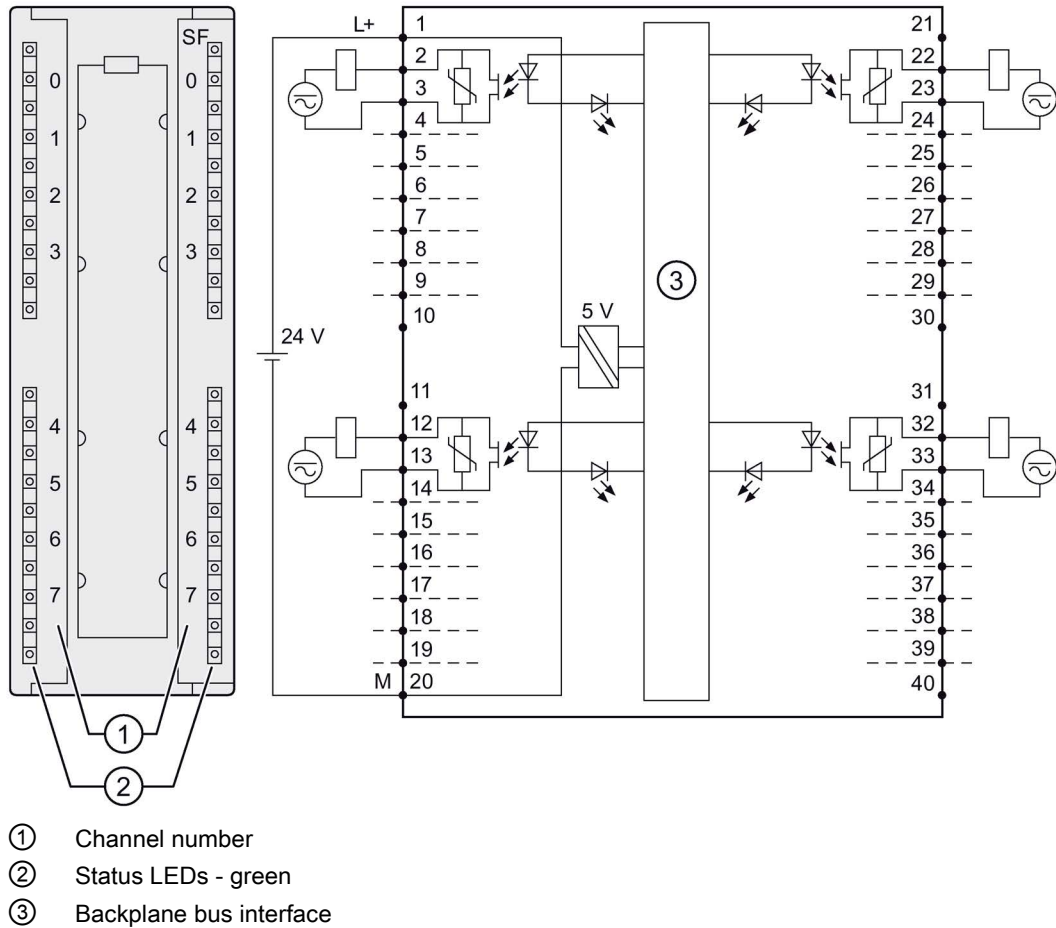
6ES7322-5GH00-0AB0

Properties

Performance features of the SM 322; DO 16 x UC24/48 V digital output module:

- 16 electrically isolated semiconductor relay outputs
- Electrical isolation between channels of 120 V
- Switching characteristics: $R_{DS\ ON}$ is typically 0.25 Ohm, and $R_{DS\ OFF}$ is typically greater than 100 GOhm
- Designed for load voltages up to 48 V AC or DC, no minimum load voltage
- Designed for output loads up to 0.5 A, no minimum load current
- Outputs are fully independent and support any wiring configuration
- Set substitution values or "Hold last values" can be programmed at the outputs for CPU STOP.
- The module supports diagnostics of programming errors and of external power failure
- Suitable for AC solenoids, actuators, motor starters, FHP motors and signal lamps
- Supports parameter reassignment in RUN

Wiring and block diagram of SM 322; DO 16 x UC 24/48 V



Technical specifications of SM 322; DO 16 x UC 24/48 V

Dimensions and weight	
Dimensions W x H x D (mm)	40 x 125 x 117
Weight	ca. 260 g
Module-specific data	
Supports parameter reassignment in RUN	Yes
<ul style="list-style-type: none"> Reaction of non-programmed outputs 	Return the output value which was valid before the parameterization
Supports isochronous mode	no
Number of outputs	16
Cable length	
<ul style="list-style-type: none"> unshielded shielded 	max. 600 m max. 1000 m

Dimensions and weight	
Voltages, currents, electrical potentials	
Rated electronics supply voltage L +	24 V DC
<ul style="list-style-type: none"> Reverse polarity protection Power failure buffering 	yes min. 5 ms
Total current of outputs (per group)	
<ul style="list-style-type: none"> horizontal mounting position up to 60 °C 	max. 0.5 A
<ul style="list-style-type: none"> other mounting positions to 40 °C 	max. 0.5 A
Cumulated current of outputs (per module)	
<ul style="list-style-type: none"> horizontal mounting position to 60 °C 	max. 8 A
<ul style="list-style-type: none"> other mounting positions to 40 °C 	max. 8 A
Electrical isolation	
<ul style="list-style-type: none"> between channels and the backplane bus 	yes
<ul style="list-style-type: none"> between channels and electronics power supply 	yes
<ul style="list-style-type: none"> between channels in groups of 	yes 1
Maximum potential difference	
<ul style="list-style-type: none"> between channels and the backplane bus 	170 V DC, 120 V AC
<ul style="list-style-type: none"> between channels and electronics power supply 	170 V DC, 120 V AC
<ul style="list-style-type: none"> between outputs of different groups 	170 V DC, 120 V AC
Isolation test voltage	
<ul style="list-style-type: none"> between channels and the backplane bus 	1500 V AC
<ul style="list-style-type: none"> between channels and electronics power supply 	1500 V AC
<ul style="list-style-type: none"> between outputs of different groups 	1500 V AC
Current consumption	
<ul style="list-style-type: none"> from the backplane bus from supply voltage L+ 	max. 100 mA max. 200 mA
Power loss of the module	typ. 2.8 W
Status, interrupts, diagnostics	
Status display	green LED per channel
Diagnostic functions	
<ul style="list-style-type: none"> Group error display 	red LED (SF)
Interrupts	
<ul style="list-style-type: none"> Diagnostic interrupt Reading diagnostics information 	programmable supported

Dimensions and weight	
Actuator selection data	
Output voltage	
<ul style="list-style-type: none"> "1" signal 	min. L+ (-0.25 V)
Output current	
<ul style="list-style-type: none"> Rated inrush current (per group) with "1" signal "0" signal (residual current) 	0.5 A max. 1.5 A (max. 50 ms) max. 10 µA
Output delay (resistive load)	
<ul style="list-style-type: none"> "0" to "1" transition "1" to "0" transition 	max. 6 ms max. 3 ms
External fuse for relay outputs	Fuse, I ² t :1 A ² s, fast-blow fuse*
Lamp load	max. 2.5 W
Internal parallel wiring of 2 outputs	Varistor, 85 V
<ul style="list-style-type: none"> for redundant load control for performance increase 	supported not supported
Control of a digital input	supported
Switching frequency	
<ul style="list-style-type: none"> with resistive load 	max. 10 Hz
<ul style="list-style-type: none"> with inductive load to IEC 947-5-1; DC 12 AC/12 	max. 0.5 Hz
<ul style="list-style-type: none"> with lamp load 	max. 0.5 Hz
Wiring of the actuators	using a 40pin front connector

* Outputs must be protected by a 250 V fast-blow fuse (recommended fuses: Wickman 194-1100 1.1 A and Littlefuse 0217-800 V 800 mA.)

When mounted in a hazardous area to National Electric Code (NEC), always remove the fuse when the module is outside of the potentially explosive atmosphere, and use a suitable tool.

Configuration in RUN

Special considerations must be given if you use the Configuration in RUN function.

SF LED is lit:

Status before re-configuration diagnostics on, SF LEDs lit among others (on CPU, IM or module), although diagnostics are no longer pending and the module is operating correctly.

Solution:

- Only change the configuration when no diagnostics are pending for the module or
- Pulling and plugging the module.

3.26.1 Parameters of digital output module SM 322 DO 16 x UC24/48 V

Programming

The tables below show data record numbers for static and dynamic parameters.

Table 3- 24 Data record 0 (static parameters):

Parameters	Comment
Enable diagnostics	Enabling an interrupt as a reaction to module failure caused by faulty parameter, hardware error, or voltage error.

Table 3- 25 Data record 1 (dynamic parameters):

Parameters	Comment
Reaction to CPU STOP	
Hold last value	
Substitute value output	
Substitute value	
Substitute value	Each bit represents an output

This module supports fail state/substitution value outputs when the CPU changes from RUN to STOP.

Status displays

Each output of this module is equipped with a green LED to indicate the relay state. In addition, a red LED (SF) indicates the diagnostics status of the module.

Diagnostics, troubleshooting

Diagnostics data are assigned according to the technical data listed below.

The four system diagnostics data bytes can be read in the additional interrupt information as data record 0, or in the first 4 bytes of data record 1.

Structure of the data record and system diagnostics for SM 322 DO 16x UC 24/48V

Structure of data record 1:

Table 3- 26 Structure of the data record for SM 322 DO 16 x UC 24/48 V

Data record 1 byte address	Available information	Contents
0..3	System-specific diagnostics data	4 bytes

System diagnostics for SM 322;DO 16 x UC24/48 V:

Table 3- 27 System diagnostics for SM 322 DO 16 x UC 24/48 V

System diagnostics byte 1:		Technical data
D0:	Module fault	yes
D1:	Internal fault	yes
D2:	External fault	yes
D3:	Channel fault	no
D4:	External auxiliary voltage missing	yes
D5:	Front connector missing	no
D6:	Module not programmed	yes
D7:	Incorrect parameters	yes
System diagnostics byte 2:		
D0..D3:	Module class	1111
D4:	Channel information available	no
D5:	User information available	no
D6:	Diagnostics interrupt from substitute	no
D7:	Reserve	
System diagnostics byte 3:		
D0:	Wrong/missing memory module	no
D1:	Communication error	no
D2:	RUN/STOP operating state	no
D3:	Watchdog timeout	yes
D4:	Internal power failure	no
D5:	Battery 1 low	no
D6:	Backup system failure	no
D7:	Reserve	
System diagnostics byte 4:		
D0:	Rack failure	no
D1:	Processor failure	yes
D2:	EPROM fault	yes
D3:	RAM fault	yes
D4:	DAC error	no
D5:	Fuse blown	no
D6:	Process interrupt lost	no
D7:	Reserve	

3.27 Digital output module SM 322; DO 16 x AC 120/230 V/1 A; (6ES7322-1FH00-0AA0)

Order number

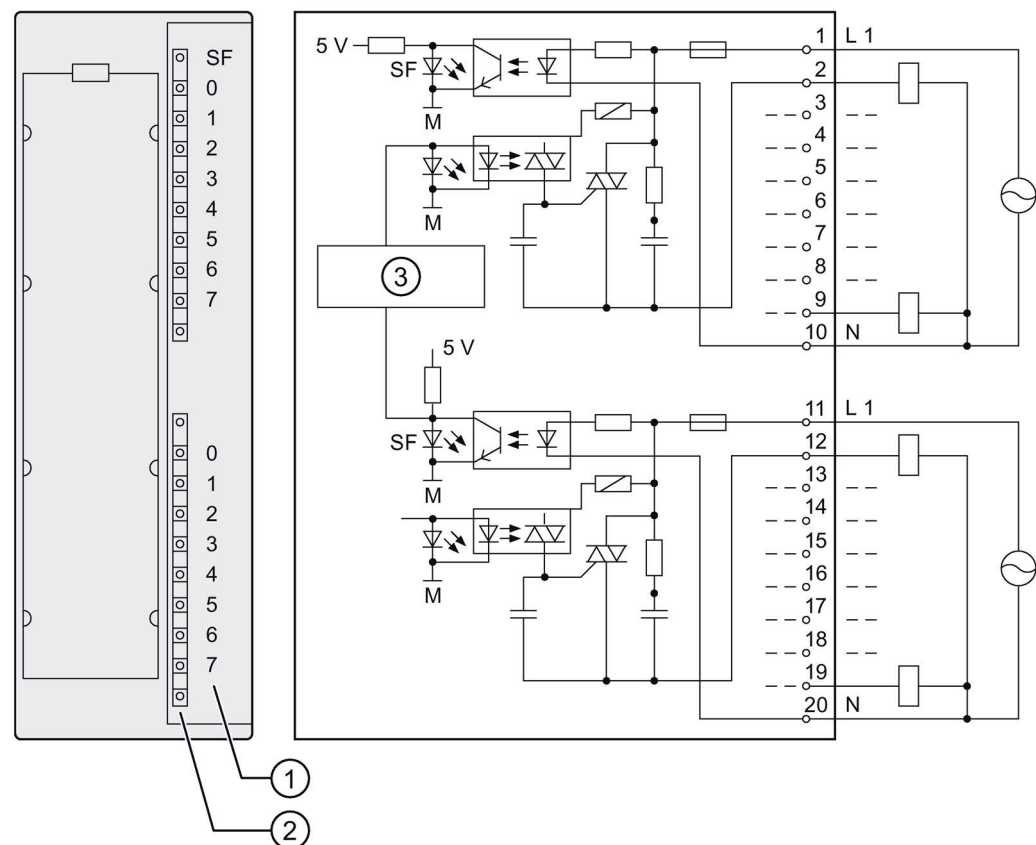
6ES7322-1FH00-0AA0

Properties

Properties of digital output module SM 322; DO 16 x AC120/230 V/1 A:

- 16 outputs, fused and electrically isolated in groups of 8
- Output current 1 A
- Rated load voltage 120/230 VAC
- Suitable for AC solenoids, actuators, motor starters, FHP motors and signal lamps

Wiring and block diagram of SM 322 DO 16 x AC120/230 V/1 A



- ① Channel number
 ② Status LEDs - green
 Error LED - red
 ③ Backplane bus interface

SM 322; DO 16 x AC 120/230 V/1 A - Technical specifications

Technical specifications	
Dimensions and weight	
Dimensions W x H x D	40 x 125 x 117
Weight	ca. 275 g
Module-specific data	
Supports isochronous mode	No
Number of outputs	16
Cable length	
<ul style="list-style-type: none"> • unshielded • shielded 	max. 600 m max. 1000 m
Voltages, currents, electrical potentials	
Load voltage L1 All load voltages must be connected to the same phase	120/230 VAC
Total current of outputs (per group)	
<ul style="list-style-type: none"> • horizontal mounting position to 40 °C to 60 °C 	max. 4 A max. 2 A
<ul style="list-style-type: none"> • vertical mounting position to 40 °C 	max. 2 A
Electrical isolation	
<ul style="list-style-type: none"> • between channels and the backplane bus 	yes
<ul style="list-style-type: none"> • between channels in groups of 	yes 8
Maximum potential difference	
<ul style="list-style-type: none"> • between M_{internal} and outputs 	230 VAC
<ul style="list-style-type: none"> • between outputs of different groups 	500 VAC
Isolation test voltage	4000 VDC
Current consumption	
<ul style="list-style-type: none"> • from the backplane bus • from load voltage L+ (no-load) 	max. 200 mA max. 2 mA
Power loss of the module	typ. 8.6 W
Status, interrupts, diagnostics	
Status display	green LED per channel
Interrupts	
<ul style="list-style-type: none"> • Diagnostic interrupt 	no
Diagnostic functions	
<ul style="list-style-type: none"> • Group error display 	red LED (SF) (fuse or no L1/N)

Technical specifications	
Actuator selection data	
Output voltage	
<ul style="list-style-type: none"> • "1" signal <ul style="list-style-type: none"> – At maximum current – At minimum current 	min. L 1 (- 1.5 V) min. L 1 (- 8.5 V)
Output current	
<ul style="list-style-type: none"> • "1" signal <ul style="list-style-type: none"> Rated value Permitted range at 0 °C to 40 °C Permitted range at 0°C to 60°C Maximum inrush current (per group) 	1 A 10 mA to 1 A 10 mA to 0.5 A 20 A (two half-waves)
<ul style="list-style-type: none"> • with "0" signal (residual current) 	max. 2 mA
Blocking voltage	max. 60 V
Zero transition	
Size of the motor starter	max. size 4 to NEMA
Lamp load	max. 50 W
Wiring two outputs in parallel	
<ul style="list-style-type: none"> • for redundant load control 	supported (only outputs of the same group)
<ul style="list-style-type: none"> • for performance increase 	no
Control of a digital input	supported
Switching frequency	
<ul style="list-style-type: none"> • with resistive load • with inductive load to IEC 947-5-1, AC 15 	max. 10 Hz max. 0.5 Hz
<ul style="list-style-type: none"> • with lamp load 	max. 1 Hz
Short-circuit protection of the output	Fuse 8 A, 250 V; per group
<ul style="list-style-type: none"> • Fuse-tripping current 	min. 40 A
<ul style="list-style-type: none"> • Response time 	max. 300 ms
Replacement fuses	8 A fuse, fast-blowing
<ul style="list-style-type: none"> • Wickman • Schurter • Littlefuse 	19 194-8 A SP001.1014 217.008
Fuse holder	
<ul style="list-style-type: none"> • Wickman 	19 653
Wiring of the actuators	using a 20-pin front connector

3.28 Digital output module SM 322; DO 8 x DC 24 V/2 A; (6ES7322-1BF01-0AA0)

Order number

6ES7322-1BF01-0AA0

Properties

Properties of SM 322; DO 8 x DC 24 V/2 A:

- 8 outputs, electrically isolated in groups of 4
- Output current 2 A
- Rated load voltage 24 V DC
- Suitable for solenoid valves, DC contactors and signal lamps

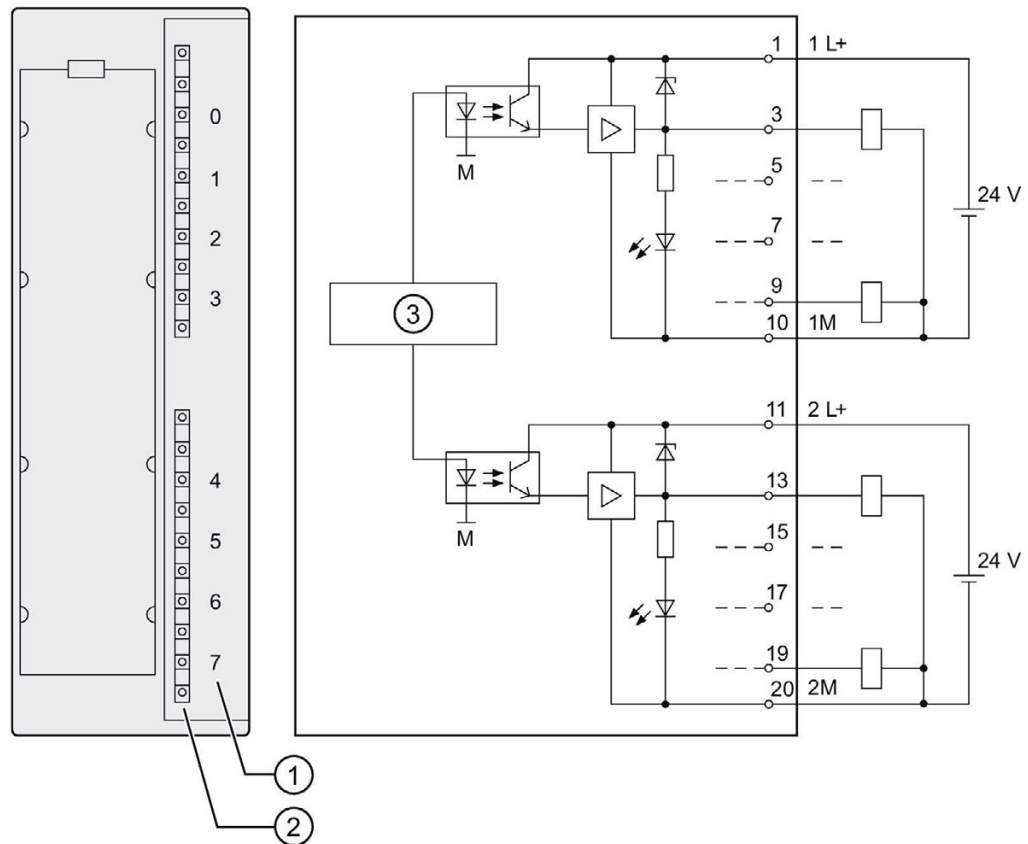
Use of the module with high-speed counters

Please note when using the module in combination with high-speed counters:

Note

When using a mechanical contact to switch on the 24-V power supply to SM 322; DO 8 x DC 24 V/2 A, the module outputs will carry a "1" signal for the duration of ca. 50 μ s due to the circuit structure.

Wiring and block diagram of SM 322; DO 8 x DC 24 V/2 A



- ① Channel number
- ② Status display - green
- ③ Backplane bus interface

SM 322; DO 8 x DC 24 V/2 A - Technical specifications

Technical specifications	
Dimensions and weight	
Dimensions W x H x D (mm)	40 x 125 x 117
Weight	ca. 190 g
Module-specific data	
Supports isochronous mode	no
Number of outputs	8
Cable length	
<ul style="list-style-type: none"> • unshielded • shielded 	max. 600 m max. 1000 m

Technical specifications	
Voltages, currents, electrical potentials	
Rated load voltage L+	24 V DC
Total current of outputs (per group)	
<ul style="list-style-type: none"> horizontal mounting position to 60 °C 	max. 4 A
<ul style="list-style-type: none"> vertical mounting position to 40 °C 	max. 4 A
Electrical isolation	
<ul style="list-style-type: none"> between channels and the backplane bus 	yes
<ul style="list-style-type: none"> between channels in groups of 	yes 4
Isolation test voltage	500 V DC
Current consumption	
<ul style="list-style-type: none"> from the backplane bus from load voltage L+ (no-load) 	max. 40 mA max. 60 mA
Power loss of the module	typ. 6.8 W
Status, interrupts, diagnostics	
Status display	green LED per channel
Interrupts	none
Diagnostic functions	none
Actuator selection data	
Output voltage	min. L+ (- 0.8 V)
<ul style="list-style-type: none"> "1" signal 	
Output current	
<ul style="list-style-type: none"> "1" signal 	
Rated value	2 A
Permitted range	5 mA to 2.4 A
<ul style="list-style-type: none"> with "0" signal (residual current) 	max. 0.5 mA
Output delay (with resistance load)	
<ul style="list-style-type: none"> "0" to "1" transition 	max. 100 µs
<ul style="list-style-type: none"> "1" to "0" transition 	max. 500 µs
Load resistance range	12 Ω to 4 kΩ
Lamp load	max. 10 W
Wiring two outputs in parallel	
<ul style="list-style-type: none"> for redundant load control 	supported (only outputs of the same group)
<ul style="list-style-type: none"> for performance increase 	not supported
Control of a digital input	supported

Technical specifications	
Switching frequency	
• with resistive load	max. 100 Hz
• with inductive load to IEC 947-5-1, DC 13	max. 0.5 Hz
• with lamp load	max. 10 Hz
Internal limiting of the inductive shutdown voltage to	typ. L + (-48 V)
Short-circuit protection of the output	yes, electronic
• Threshold	typ. 3 A
Wiring of the actuators	using a 20-pin front connector

3.29 Digital output module SM 322; DO 8 x DC 24 V/ 0.5 A; with diagnostics interrupt; (6ES7322-8BF00-0AB0)

Order number: "Standard module"

6ES7322-8BF00-0AB0

Order number: "SIPLUS S7-300 module"

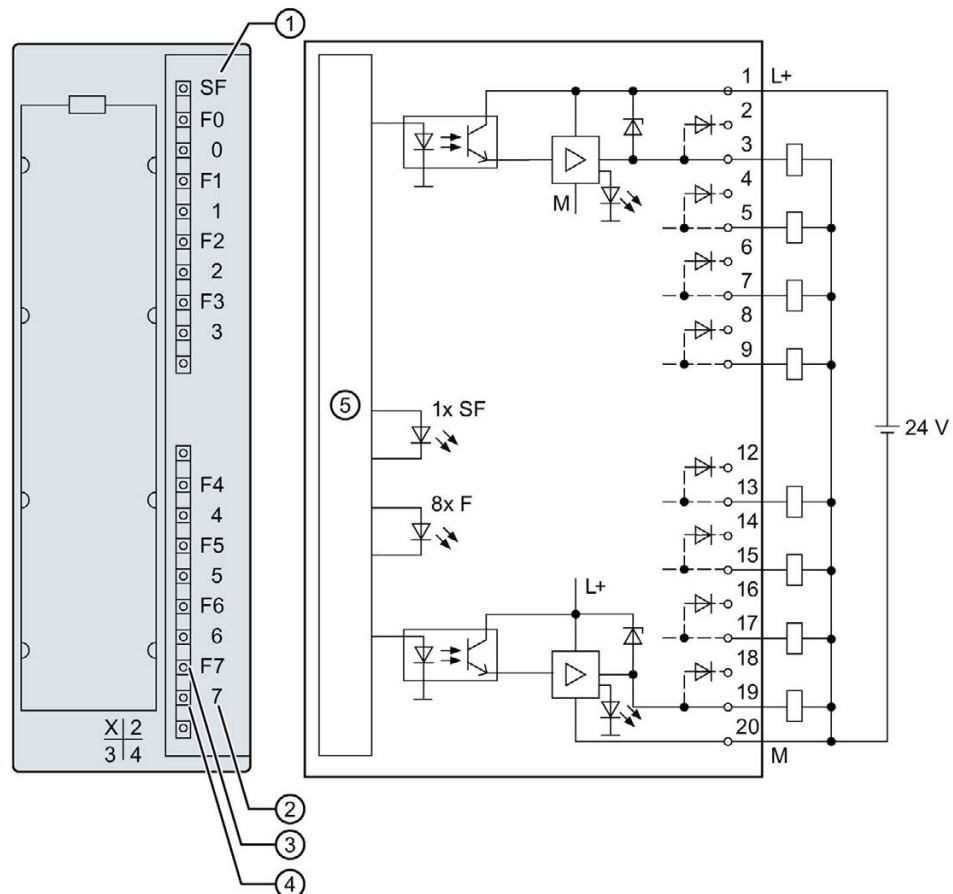
6AG1322-8BF00-2AB0

Properties

Properties of SM 322; DO 8 x DC 24 V/0.5 A:

- 8 outputs, electrically isolated in groups of 8
- Output current 0.5 A
- Rated load voltage 24 V DC
- Suitable for solenoid valves, DC contactors and signal lamps
- 2 terminals per output
 - Output without series diode
 - Output with series diode (for redundant load control)
- Group error display (SF)
- Channel-specific status and error LEDs
- Programmable diagnostics
- Programmable diagnostic interrupt
- Programmable substitute value output
- Supports parameter reassignment in RUN

Wiring and block diagram of SM 322; DO 8 x DC 24 V/ 0.5 A



- ① Group error display -red-
- ② Channel number (0 ... 7)
- ③ Channel fault display -red- (F0 ... F7)
- ④ Status display -green-
- ⑤ Backplane bus interface

Figure 3-9 Wiring and block diagram of SM 322; DO 8 x 24 V DC / 0.5

Redundant load control

The output with series diode can be used for redundant load control. Redundant control without external circuitry is possible using two different signal modules. Both modules must be connected to the common reference potential M.

Note

It is not possible to detect external short-circuits to L+ at output with series diode.

SM 322; DO 8 x DC 24 V/0.5 A - Technical specifications

Technical specifications	
Dimensions and weight	
Dimensions W x H x D (mm)	40 x 125 x 117
Weight	ca. 210 g
Module-specific data	
Supports parameter reassignment in RUN	Yes
<ul style="list-style-type: none"> Reaction of non-programmed outputs 	Return the output value which was valid before the parameterization
Supports isochronous mode	no
Number of outputs	8
Cable length <ul style="list-style-type: none"> unshielded shielded 	max. 600 m max. 1000 m
Voltages, currents, electrical potentials	
Rated load voltage L+	24 V DC
Total current (per group) of outputs without series diode	
<ul style="list-style-type: none"> horizontal mounting position to 40 °C to 60 °C 	max. 4 A max. 3 A
<ul style="list-style-type: none"> vertical mounting position to 40 °C 	max. 4 A
Total current of outputs (per group) with series diode	
<ul style="list-style-type: none"> horizontal mounting position to 40 °C to 60 °C 	max. 3 A max. 2 A
<ul style="list-style-type: none"> vertical mounting position to 40 °C 	max. 3 A
Electrical isolation	
<ul style="list-style-type: none"> between channels and the backplane bus 	yes
<ul style="list-style-type: none"> between channels in groups of 	yes 8
Isolation test voltage	500 V DC
Current consumption	
<ul style="list-style-type: none"> from the backplane bus from load voltage L+ (no-load) 	max. 70 mA max. 90 mA
Power loss of the module	typ. 5 W

3.29 Digital output module SM 322; DO 8 x DC 24 V/ 0.5 A; with diagnostics interrupt; (6ES7322-8BF00-0AB0)

Technical specifications	
Status, interrupts, diagnostics	
Status display	green LED per channel
Interrupts	programmable
<ul style="list-style-type: none"> Diagnostic interrupt 	
Diagnostic functions	programmable
<ul style="list-style-type: none"> Group error display Channel error display (F) Reading diagnostics data 	red LED (SF) red LED (F) per channel supported
Actuator selection data	
Output voltage	
<ul style="list-style-type: none"> "1" signal 	
without series diode	min. L + (- 0.8 V)
with series diode	min. L+ (-1.6 V)
Output current	
<ul style="list-style-type: none"> "1" signal 	
Rated value	0.5 A
Permitted range	10 mA to 0.6 A ¹⁾
<ul style="list-style-type: none"> "0" signal (residual current) 	max. 0.5 mA
Output delay (resistive load)	
<ul style="list-style-type: none"> "0" to "1" transition "1" to "0" transition 	max. 180 µs max. 245 µs
Load resistance range	48 Ω to 3 kΩ
Lamp load	max. 5 W
Wiring two outputs in parallel	
<ul style="list-style-type: none"> for redundant load control 	Only outputs with series diode and common reference potential
<ul style="list-style-type: none"> for performance increase 	not supported
Control of a digital input	supported
	1 binary input to IEC 61131, Type 2; Type 1, with disabled wire-break monitoring
Switching frequency	
<ul style="list-style-type: none"> with resistive load with inductive load to IEC 947-5-1, DC 13 with lamp load 	max. 100 Hz max. 2 Hz max. 10 Hz
Internal limiting of the inductive shutdown voltage to	typ. L + (-45 V)
Short-circuit protection of the output	yes, electronic
<ul style="list-style-type: none"> Threshold 	typ. 0.75 A to 1.5 A
Wiring of the actuators	using a 20-pin front connector
1) 5 mA to 0.6 A, with disabled wire-break monitoring	

Configuration in RUN

Special considerations must be given if you use the Configuration in RUN function.

SF LED is lit:

Status before re-configuration diagnostics on, SF LEDs lit among others (on CPU, IM or module), although diagnostics are no longer pending and the module is operating correctly.

Solution:

- Only change the configuration when no diagnostics are pending for the module or
- Pulling and plugging the module.

3.29.1 SM 322; DO 8 x DC 24 V/0.5 A - Parameters

Programming

The general procedure of programming digital modules is described in the chapter Programming digital modules (Page 58).

SM 322; DO 8 x DC 24 V/0.5 A - Parameters

The table below lists the programmable parameters of SM 322; DO 8 x DC 24 V/0.5 A, including defaults.

The defaults apply if you have not set any parameters in **STEP 7**.

Table 3- 28 Parameters of SM 322; DO 8 x DC 24 V/0.5 A

Parameters	Range of values	Default	Parameter type	Scope
Enable				
• Diagnostics interrupt	yes/no	no	dynamic	Module
Reaction to CPU STOP	Set substitute value (SSV) Hold last value (HLV)	SSV		
Diagnostics			static	Channel
• Wirebreak	yes/no	no		
• No load voltage L	yes/no	no		
• Short-circuit to M	yes/no	no		
• Short-circuit to L	yes/no	no		
Set substitute value "1"	yes/no	no	dynamic	Channel

3.29.2 SM 322; DO 8 x DC 24 V/0.5 A - Diagnostics

Diagnostics messages of SM 322; DO 8 x DC 24 V/0.5 A

The table provides an overview of the diagnostic messages of SM 322; DO 8 x DC 24 V/0.5 A

Table 3- 29 Diagnostics messages of SM 322; DO 8 x DC 24 V/0.5 A

Diagnostics message	LED	Scope of diagnostics	programmable
Wire-break*	SF	Channel	yes
Load voltage missing	SF	Channel	yes
Short-circuit to M	SF	Channel	yes
Short-circuit to L+	SF	Channel	yes
External auxiliary voltage missing	SF	Module	no
Internal auxiliary voltage missing	SF	Module	no
Fuse blown	SF	Module	no
Watchdog time-out	SF	Module	no
EPROM fault	SF	Module	no
RAM fault	SF	Module	no
<p>* The module detects a wire-break at a current < 1 mA. If configured accordingly, the SF LED and corresponding channel error LED light up when a wire-break is detected.</p>			

Note

Prerequisite for the detection of errors indicated by programmable diagnostic messages is an appropriate configuration of the digital module in *STEP 7*.

Causes of error and troubleshooting

Table 3- 30 Diagnostic messages of SM 322; DO 8 x DC 24 V/0.5 A, causes of error and troubleshooting

Diagnosics message	Error detection condition ...	Possible cause of error	To correct or avoid error
Wirebreak	Only when output = "1"	Wire-break between the module and actuator	Connect the cable
		Channel not connected (open)	Disable the "wire-break diagnostics" parameter for the channel in <i>STEP 7</i>
Load voltage missing	Only when output = "1"	Defective output	Replace the module
Short-circuit to M	Only when output = "1"	Overload at output	Eliminate overload
		Short-circuit of output to M	Eliminate the short-circuit
Short-circuit to L+	generally	Short-circuit at output to L+ of the module power supply	Eliminate the short-circuit
External auxiliary voltage missing	generally	Power supply L+ to module missing	Feed supply L+
Internal auxiliary voltage missing	generally	Power supply L+ to module missing	Feed supply L+
		Fuse blown in module	Replace the module
Fuse blown	generally	Fuse blown in module	Replace the module
Watchdog timeout	generally	Infrequent high electromagnetic interference	Eliminate the interference
		Defective module	Replace the module
EPROM fault	generally	Infrequent high electromagnetic interference	Eliminate interference and cycle the power supply of CPU off/on.
		Defective module	Replace the module
RAM fault	generally	Infrequent high electromagnetic interference	Eliminate interference and cycle the power supply of CPU off/on.
		Defective module	Replace the module

3.29.3 SM 322; DO 8 x DC 24 V/0.5 A - Behavior

Influence of the operating state and supply voltage on output values

The output values of SM 322; DO 8 x DC 24V/0.5 A are determined by the CPU's operating state and the module's power supply.

Table 3- 31 Influence of the CPU operating state and of the supply voltage L+ of SM 322; DO 8 24 VDC/0.5 A on output values.

CPU operating state		Power supply L+ at digital module	Output value of the digital module
POWER ON	RUN	L+ present	CPU value
		L+ missing	0 signal
	STOP	L+ present	Substitute value/last value (default = 0 signal)
		L+ missing	0 signal
POWER OFF	-	L+ present	0 signal
		L+ missing	0 signal

Reaction to power failure

Failure of the power supply to SM 322; DO 8 x DC 24V/0.5 A is always indicated at the module's SF LED. This information is also available on the module (entry in diagnostics data.)

Triggering of diagnostics interrupts is determined by the parameter settings (see the next chapter Interrupts of SM 322; DO 8 x DC 24/0.5 A (Page 182)).

See also

SM 322; DO 8 x DC 24 V/0.5 A - Parameters (Page 178)

3.29.4 SM 322; DO 8 x DC 24 V/0.5 A - Interrupts

Introduction

The SM 322; DO 8 x DC 24 V/0.5 A can trigger diagnostic interrupts.

For detailed information on the OBs and SFCs mentioned below, refer to the *STEP 7* Online Help.

Enabling interrupts

There is no default interrupt setting, i.e. interrupts are disabled if parameters are not set accordingly. Program the interrupt enable parameter in **STEP 7**.

Diagnostics interrupt

Incoming error events (initial occurrence) and outgoing error events (error is cleared) are reported by means of diagnostics interrupt, if this interrupt is enabled.

The CPU interrupts user program execution in order to process diagnostics interrupt OB82.

You can call SFC51 or 59 in OB82 in the user program to view detailed diagnostics data output by the module.

Diagnostics data remain consistent until the program exits OB82. The module acknowledges the diagnostics interrupt when the program exits OB82.

See also

SM 322; DO 8 x DC 24 V/0.5 A - Parameters (Page 178)

3.30 Digital output module SM 322; DO 8 x DC 48-125 V/1.5 A; (6ES7322-1CF00-0AA0)

Order number: "Standard module"

6ES7322-1CF00-0AA0

Order number: "SIPLUS S7-300 module"

6AG1322-1CF00-2AA0

Properties

Properties of SM 322; DO 8 x DC 48-125 V/1.5 A:

- 8 outputs, with reverse polarity protection, and electrically isolated in groups of 4
- Output current 1.5 A
- Rated load voltage 48 VDC to 125 VDC
- Suitable for solenoid valves, DC contactors and signal lamps
- Group error display (SF)

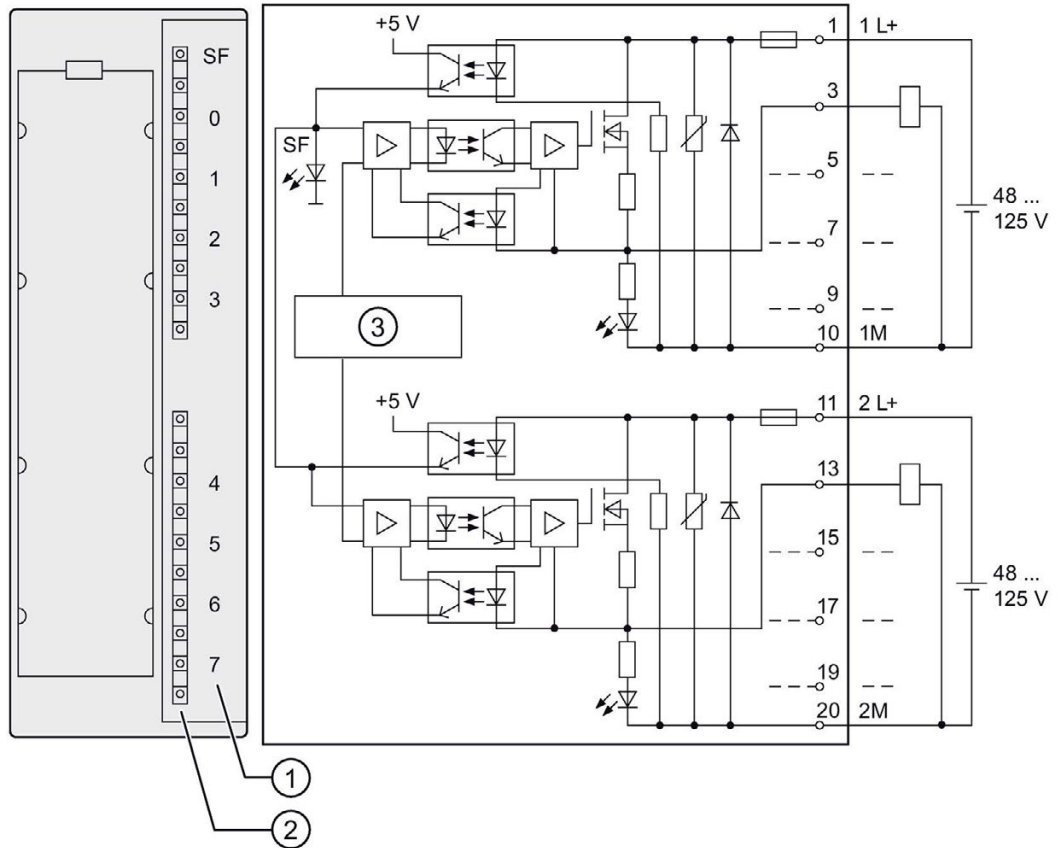
Use of the module with high-speed counters

Please note when using the module in combination with high-speed counters:

Note

When using a mechanical contact to switch on the power supply, the outputs of SM 322; DO 8 x DC 48-125 V/1.5 A will carry a "1" signal for the duration of ca. 50 µs due to the circuit structure.

Wiring and block diagrams of SM 322; DO 8 x DC 48-125 V/1.5 A



- ① Channel number
- ② Status display - green
Error LED - red
- ③ Backplane bus interface

Technical specifications of M 322; DO 8 x DC 48-125 V/1.5 A

Technical specifications	
Dimensions and weight	
Dimensions W x H x D (mm)	40 x 125 x 117
Weight	ca. 250 g
Module-specific data	
Supports isochronous mode	no
Number of outputs	8
Cable length	
<ul style="list-style-type: none"> • unshielded • shielded 	max. 600 m max. 1000 m
Voltages, currents, electrical potentials	
Rated load voltage L+	48 VDC to 125 VDC
<ul style="list-style-type: none"> • Reverse polarity protection 	yes, by fusing ¹⁾
Total current of outputs (per group)	
<ul style="list-style-type: none"> • horizontal mounting position to 40 °C to 50 °C to 60 °C 	max. 6 A max. 4 A max. 3 A
<ul style="list-style-type: none"> • vertical mounting position to 40 °C 	max. 4 A
Electrical isolation	yes
<ul style="list-style-type: none"> • between channels and the backplane bus 	
<ul style="list-style-type: none"> • between channels in groups of 	yes 4
Maximum potential difference	
<ul style="list-style-type: none"> • between different circuits 	146 VDC / 132 VAC
Isolation test voltage	1500 VAC
Current consumption	
<ul style="list-style-type: none"> • from the backplane bus • from load voltage L+ (no-load) 	max. 100 mA max. 2 mA
Power loss of the module	typ. 7.2 W
Status, interrupts, diagnostics	
Status display	green LED per channel
Interrupts	none
Diagnostic functions	
<ul style="list-style-type: none"> • Group error display 	red LED (SF) ²⁾

Technical specifications	
Actuator selection data	
Output voltage • "1" signal	min. L+ (-1.2 V)
Output current • "1" signal Rated value Permitted range	1.5 A 10 mA to 1.5 A
• Permitted surge current	max. 3 A for a duration of 10 ms
• with "0" signal (residual current)	max. 0.5 mA
Output delay (resistive load)	
• "0" to "1" transition • "1" to "0" transition	max. 2 ms max. 15 ms
Lamp load	max. 15 W at 48 V max. 40 W at 125 V
Wiring two outputs in parallel	
• for redundant load control	supported (only outputs of the same group)
• for performance increase	not supported
Control of a digital input	supported
Switching frequency • with resistive load • with inductive load • with lamp load	max. 25 Hz max. 0.5 Hz max. 10 Hz
Internal limiting of the inductive shutdown voltage to	typ. M (-1V)
Short-circuit protection of the output • Threshold	yes, electronic ³⁾ typ. 4.4 A
Replacement fuses	Fuse 6.3 A/250 V, fast-blow, 5 x 20 mm
• Schurter • Wickman	SP0001.1012 194-1630-0
Fuse holder • Wickman	653 0000 040
Wiring of the actuators	using a 20-pin front connector

1) Fuses on this module are only supplementary. External surge current protection (suitable for tap circuits conforming to local regulations for electrical engineering) is required in the supply lines of the load circuit.

2) Possible errors:

- no load voltage
- defective fuse
- output overload

3) If an overload condition is detected, the output is disabled for the duration of ca. 2.4 s.

3.31 Digital output module SM 322;DO 8 x AC 120/230 V/2 A; (6ES7322-1FF01-0AA0)

Order number: "Standard module"

6ES7322-1FF01-0AA0

Order number: "SIPLUS S7-300 module"

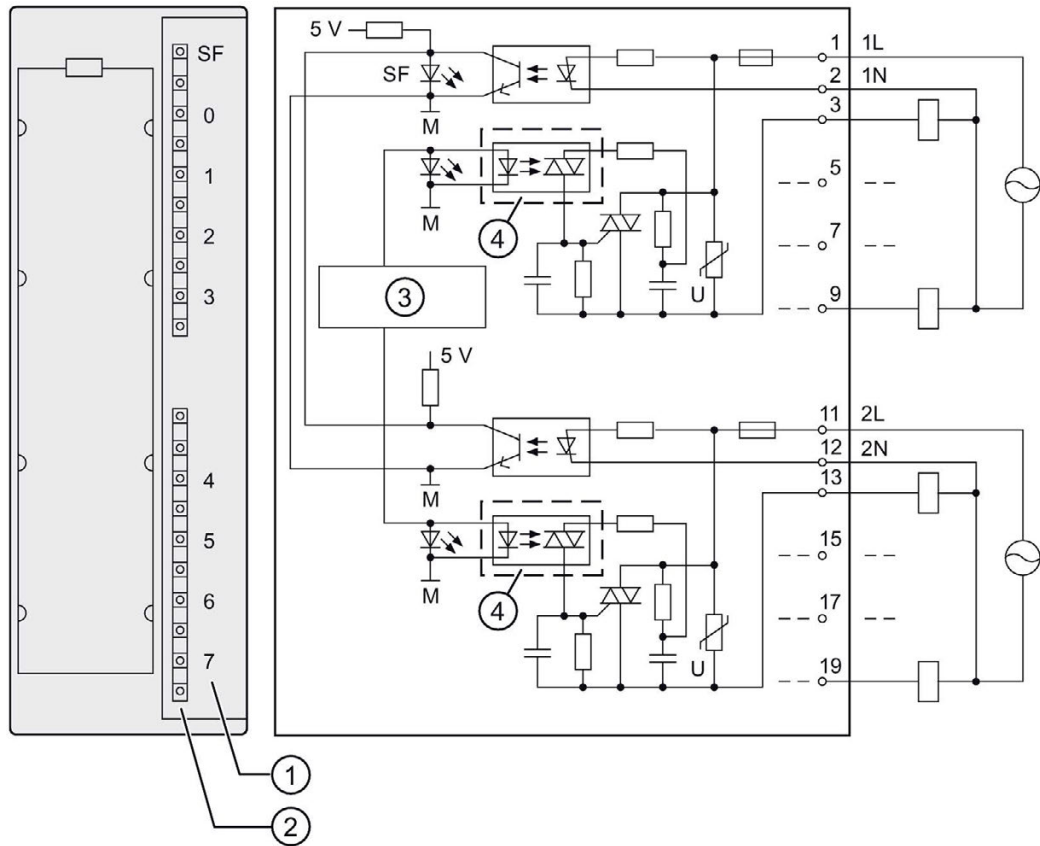
6AG1322-1FF01-2AA0

Properties

Properties of SM 322; DO 8 x AC 120/230 V/2 A:

- 8 outputs, fused and electrically isolated in groups of 4
- Output current 2 A
- Rated load voltage 120/230 VAC
- Suitable for AC solenoid valves, contactors, motor starters, FHP motors and signal lamps.
- Group error display (SF)

Wiring and block diagram of SM 322; DO 8 x AC 120/230 V/2 A



- ① Channel number
- ② Status display - green
Error LED - red
- ③ Backplane bus interface
- ④ Optotriac

SM 322; DO 8 x AC 120/230 V/2 A - Technical specifications

Technical specifications	
Dimensions and weight	
Dimensions W x H x D (mm)	40 x 125 x 117
Weight	ca. 275 g
Module-specific data	
Supports isochronous mode	no
Number of outputs	8
Cable length	
<ul style="list-style-type: none"> unshielded shielded 	max. 600 m max. 1000 m
Voltages, currents, electrical potentials	
Rated load voltage L1	120/230 VAC
<ul style="list-style-type: none"> Maximum frequency range 	47 Hz to 63 Hz
Total current of outputs (per group)	
<ul style="list-style-type: none"> horizontal mounting position to 40 °C to 60 °C 	max. 4 A max. 2 A
<ul style="list-style-type: none"> vertical mounting position to 40 °C 	max. 2 A
Electrical isolation	
<ul style="list-style-type: none"> between channels and the backplane bus between channels in groups of 	yes yes 4
Maximum potential difference	
<ul style="list-style-type: none"> between M_{internal} and outputs between outputs of different groups 	230 VAC 500 VAC
Isolation test voltage	1500 VAC
Current consumption	
<ul style="list-style-type: none"> from the backplane bus from load voltage L1 (no-load) 	max. 100 mA max. 2 mA
Power loss of the module	typ. 8.6 W
Status, interrupts, diagnostics	
Status display	green LED per channel
Interrupts	none
Diagnostic functions	yes
<ul style="list-style-type: none"> Group error display 	red LED (SF) ²⁾

Technical specifications	
Actuator selection data	
Output voltage <ul style="list-style-type: none"> "1" signal <ul style="list-style-type: none"> At maximum current At minimum current 	min. L1 (-1.5 V) min. L1 (-8.5 V)
Output current <ul style="list-style-type: none"> "1" signal <ul style="list-style-type: none"> Rated value permissible range at 0 °C to 40 °C permissible range at 40 °C to 60 °C Maximum inrush current (per group) "0" signal (residual current) 	AC 2 A ¹⁾ 10 mA to 2 A 10 mA to 1 A max. 20 A (max. 1 AC cycle) max. 2 mA
Output delay (resistive load)	
<ul style="list-style-type: none"> "0" to "1" transition "1" to "0" transition 	max. 1 AC cycle max. 1 AC cycle
Minimum load current	10 mA
Zero transition	max. 60 V
Size of the motor starter	max. size 5 to NEMA
Lamp load	max. 50 W
Wiring two outputs in parallel	
<ul style="list-style-type: none"> for redundant load control for performance increase 	supported (only outputs of the same group) not supported
Control of a digital input	supported
Switching frequency <ul style="list-style-type: none"> with resistive load with inductive load to IEC 947-5-1, AC 15 with lamp load 	max. 10 Hz max. 0.5 Hz max. 1 Hz
Short-circuit protection of the output	
<ul style="list-style-type: none"> Fuse-tripping current Response time 	Fuse, 8 A/250 V; per group min. 40 A max. 300 ms
Replacement fuses <ul style="list-style-type: none"> Wickman Schurter Littlefuse 	8 A fuse/fast-blow 194-1800-0 SP001.1013 217.008
Fuse holder <ul style="list-style-type: none"> Wickman 	653 07
Wiring of the actuators	using a 20-pin front connector

1) The load current must not be half-wave

2) Possible errors:

- no load voltage
- defective fuse

3.32 Digital output module SM 322; DO 8 x AC 120/230 V/2 A ISOL (6ES7322-5FF00-0AB0)

Order number

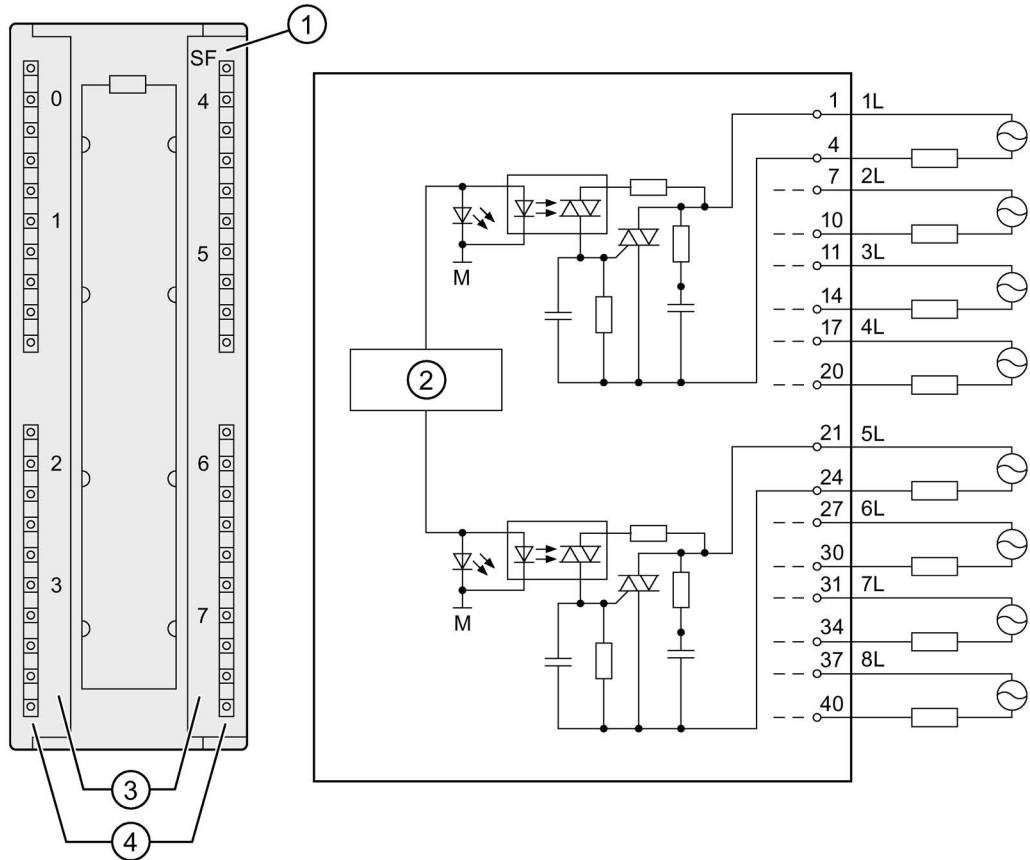
6ES7322-5FF00-0AB0

Properties

Properties of digital output module SM 322; DO 8 x AC 120/230 V/2 A ISOL:

- 8 outputs, electrically isolated
- Group error display
- Channelspecific status LEDs
- Configurable diagnostics
- Programmable diagnostic interrupt
- Programmable substitute value output
- Output current 2 A
- Rated load voltage 120/230 V AC
- Suitable for AC solenoid valves, contactors, motor starters, FHP motors and signal lamps
- Supports parameter reassignment in RUN

Wiring and block diagram of SM 322; DO 8 x AC 120/230 V/2 A ISOL



- ① Group error display - red
- ② Backplane bus interface
- ③ Channel number
- ④ Status display - green

SM 322; DO 8 x AC 120/230 V/2 A ISOL - Technical specifications

Technical specifications	
Dimensions and weight	
Dimensions W x H x D	40 x 125 x 117
Weight	approx. 275 g
Module-specific data	
Supports parameter reassignment in RUN	Yes
<ul style="list-style-type: none"> Reaction of non-programmed outputs 	Return the output value which was valid before the parameterization
Supports isochronous mode	No
Number of outputs	8
Cable length <ul style="list-style-type: none"> unshielded shielded 	max. 600 m max. 1000 m
Voltages, currents, electrical potentials	
Rated load voltage L1	120/230 V AC
Total current of outputs (module)	
<ul style="list-style-type: none"> Horizontal mounting position to 40 °C to 60 °C 	max. 8 A max. 4 A
<ul style="list-style-type: none"> vertical mounting position to 40 °C 	max. 4 A
Electrical isolation	
<ul style="list-style-type: none"> between channels and the backplane bus 	yes
<ul style="list-style-type: none"> between channels in groups of 	yes 1
Maximum potential difference	
<ul style="list-style-type: none"> between M_{internal} and outputs 	230 V AC
<ul style="list-style-type: none"> between outputs 	500 V AC
Isolation test voltage	
<ul style="list-style-type: none"> between M_{internal} and outputs 	1500 V AC
<ul style="list-style-type: none"> between outputs of different groups 	2000 V AC
Current consumption	
<ul style="list-style-type: none"> from the backplane bus from load voltage L1 (no-load) 	max. 100 mA max. 2 mA
Power loss of the module	typ. 8.6 W

Technical specifications	
Status, interrupts, diagnostics	
Status display	green LED per channel
Interrupts	programmable
<ul style="list-style-type: none"> Diagnostic interrupt 	
Diagnostic functions	red LED (SF)
<ul style="list-style-type: none"> Group error display 	
Actuator selection data	
Output voltage	
<ul style="list-style-type: none"> "1" signal <ul style="list-style-type: none"> At maximum current At minimum current 	min. L1 (-1.5 V) min L1 (-8.5 V)
Output current	
<ul style="list-style-type: none"> "1" signal <ul style="list-style-type: none"> Rated value permissible range at 0 °C to 40 °C permissible range at 40 °C to 60 °C Maximum inrush current (per group) 	2 A 10 mA to 2 A 10 mA to 1 A 20 A (with two half-waves)
<ul style="list-style-type: none"> "0" signal (residual current) 	max. 2 mA
Zero transition	max. 60 V
Size of the motor starter	max. size 5 to NEMA
Lamp load	max. 50 W
Wiring two outputs in parallel	
<ul style="list-style-type: none"> for redundant load control 	supported
<ul style="list-style-type: none"> for performance increase 	not supported
Control of a digital input	supported
Switching frequency	
<ul style="list-style-type: none"> with resistive load 	max. 10 Hz
<ul style="list-style-type: none"> with inductive load to IEC 947-5-1, AC 15 	max. 0.5 Hz
<ul style="list-style-type: none"> with lamp load 	max. 1 Hz
Short circuit-proof output	yes, 3.15 A / 250 V fuse, fast-blow
Wiring of the actuators	Using a 40-pin front connector

Note

The outputs must be protected by a high-speed, fast-blow 3.15 A 250 V AC fuse. Hazardous areas to National Electric Code must be determined safe before you remove/replace the fuse. Removal and replacement may only be possible using a suitable tool.

Configuration in RUN

Special considerations must be given if you use the Configuration in RUN function.

SF LED is lit:

Status before re-configuration diagnostics on, SF LEDs lit among others (on CPU, IM or module), although diagnostics are no longer pending and the module is operating correctly.

Solution:

- Only change the configuration when no diagnostics are pending for the module or
- Pulling and plugging the module.

3.32.1 Parameters of SM 322; DO 8 x AC 120/230 V/2 A ISOL

Parameters of SM 322; DO 8 x AC 120/230 V/2 A ISOL

The table below lists the configurable parameters of SM 322; DO 8 x AC120/230 V/2 A ISOL, including defaults.

The defaults apply if you have not set any parameters in *STEP 7*.

Table 3- 32 Parameters of SM 322; DO 8 x AC 120/230 V/2 A ISOL

Parameters	Range of values	Defaults	Parameter type	Scope
Enable • Diagnostic interrupts	yes/no	no	dynamic	Module
Reaction to CPU STOP	Set substitute value (SSV) Hold last value (HLV)	SSV	dynamic	Channel
Set substitute value "1"	yes/no	no	dynamic	Channel

Programming

For detailed information on parameters of the digital output module, refer to the appendix Settings for the digital output modules (Page 528).

See also

Programming digital modules (Page 58)

3.32.2 SM 322; DO 8 x AC 120/230 V/2 A ISOL - Diagnostics

Diagnostic messages of SM 322; DO 8 x AC 120/230 V/2 A ISOL

The table below provides an overview of the diagnostic messages of SM 322; DO 8 x 120/230 VAC/2 A ISOL.

Table 3- 33 Diagnostic messages of SM 322; DO 8 x AC 120/230 V/2 A ISOL

Diagnosics message	LED	Scope of diagnostics	programmable
Watchdog timeout	SF	Module	no
EPROM fault	SF	Module	no
RAM fault	SF	Module	no

Causes of error and troubleshooting

The following table shows the diagnostic messages of SM 322; DO 8 x AC 120/230V/2 A ISOL, causes of error and troubleshooting.

Table 3- 34 Diagnostic messages of SM 322; DO 8 x AC 120/230V/2 A ISOL, error causes and troubleshooting

Diagnosics message	Error detection	Possible cause of error	To correct or avoid errors
Watchdog timeout	Always	Transient high electromagnetic interference	Eliminate interference and cycle the CPU power supply off and on
		Defective module	Replace the module
EPROM fault	Always	Transient high electromagnetic interference	Eliminate interference and cycle the CPU power supply off and on
		Defective module	Replace the module
RAM fault	Always	Transient high electromagnetic interference	Eliminate interference and cycle the CPU power supply off and on
		Defective module	Replace the module

3.32.3 SM 322; DO 8 x AC 120/230 V/2 A ISOL - Interrupts

Introduction

The SM 322; DO 8 x AC 120/230 V/2 A ISOL can trigger diagnostic interrupts.

For detailed information on the OBs and SFCs mentioned below, refer to the *STEP 7* Online Help.

Enabling interrupts

There is no default interrupt setting, i.e. interrupts are disabled if not set accordingly. Program the interrupt enable parameter in **STEP 7**.

Diagnostic interrupt

When diagnostic interrupts are enabled, incoming error events (initial occurrence) and outgoing error events (error is cleared) are reported by means of interrupt.

The CPU interrupts user program execution in order to process diagnostics interrupt OB82.

You can call SFC51 or 59 in OB82 in the user program to obtain detailed diagnostics data from the module.

Diagnostics data remain consistent until the program exits OB82. The module acknowledges the diagnostic interrupt when the program exits OB82.

Load restrictions in horizontal mounting position

In horizontal mounting position, the module loads must be restricted so that two adjacent inputs or outputs do not exceed their rated load.

Load restrictions in vertical mounting position

In vertical mounting position, the module loads must be restricted so that four adjacent inputs or outputs do not exceed their rated load.

3.33 Relay output module SM 322; DO 16 x Rel. AC 120/230 V; (6ES7322-1HH01-0AA0)

Order number

6ES7322-1HH01-0AA0

Properties

The SM 322; DO 16 x Rel. 120/230 V AC is characterized by the following properties:

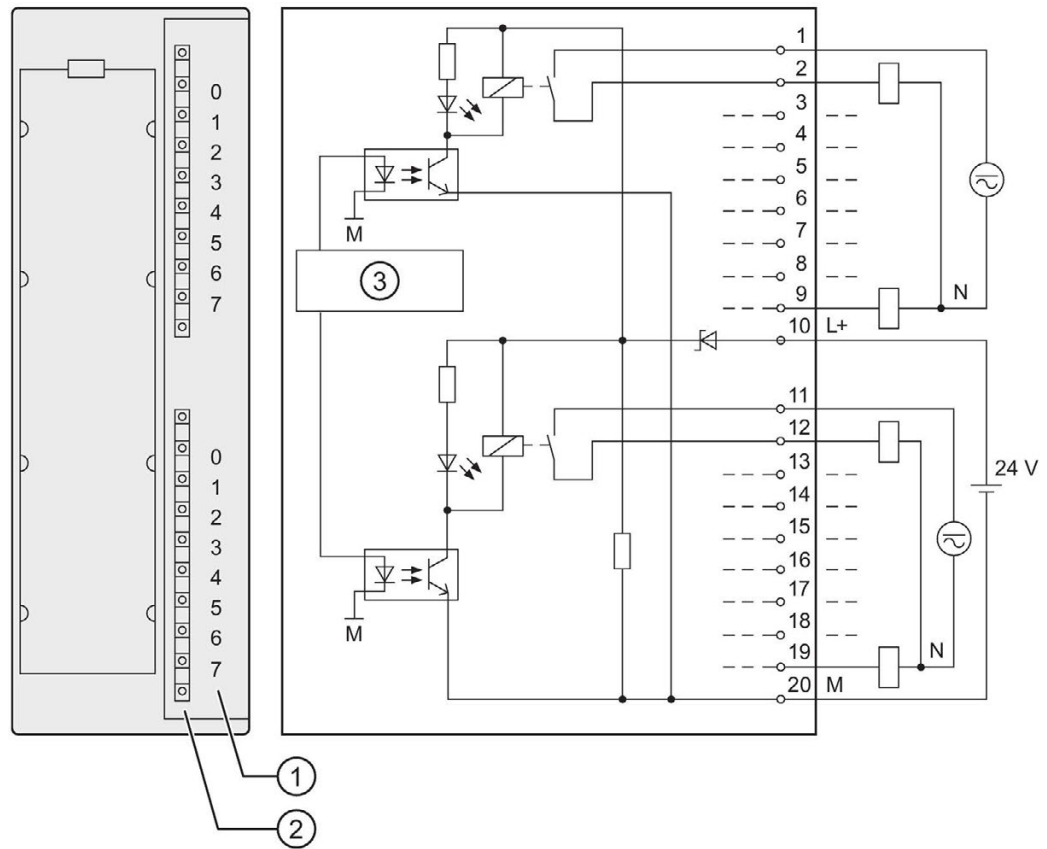
- 16 outputs, electrically isolated in groups of 8
- Load voltage 24 to 120 V DC; 24 to 230 V AC
- Suitable for AC/DC solenoid valves, contactors, motor starters, FHP motors and signal lamps.

Reaction to a shutdown of the power supply

Note

The internal 200-ms buffer capacitance discharges sufficient power after power off to allow the user program to set a defined relay state.

Wiring and block diagram of SM 322; DO 16 x Rel. 120/230 V AC



- ① Channel number
- ② Status display - green
- ③ Backplane bus interface

Technical specifications of the SM 322; DO 16 x Rel. 120/230 V AC

Technical specifications	
Dimensions and weight	
Dimensions W x H x D (mm)	40 x 125 x 117
Weight	ca. 250 g
Module-specific data	
Supports isochronous mode	no
Number of outputs	16
Cable length	
<ul style="list-style-type: none"> • unshielded • shielded 	max. 600 m max. 1000 m
Voltages, currents, electrical potentials	
Rated power supply L+ to the relays	24 V DC
Total current of outputs (per group)	max. 8 A
Electrical isolation	
<ul style="list-style-type: none"> • between channels and the backplane bus 	yes
<ul style="list-style-type: none"> • between channels in groups of 	yes 8
Maximum potential difference	
<ul style="list-style-type: none"> • Between M_{internal} and the power supply to relays and outputs 	230 V AC
<ul style="list-style-type: none"> • Between outputs of different groups 	500 V AC
Isolation test voltage	
<ul style="list-style-type: none"> • between M_{internal} and the power supply to relays 	500 V DC
<ul style="list-style-type: none"> • between M_{internal} and the power supply to relays and outputs 	1500 V AC
<ul style="list-style-type: none"> • between outputs of different groups 	2000 V AC
Current consumption	
<ul style="list-style-type: none"> • from the backplane bus • from power supply L+ 	max. 100 mA max. 250 mA
Power loss of the module	typ. 4.5 W
Status, interrupts, diagnostics	
Status display	green LED per channel
Interrupts	none
Diagnostic functions	none

3.33 Relay output module SM 322; DO 16 x Rel. AC 120/230 V; (6ES7322-1HH01-0AA0)

Technical specifications		
Actuator selection data		
Thermal current, continuous	max. 2 A	
Minimum load voltage / current	10 V / 10 mA	
Short-circuit current to IEC 947-5-1	200 A, with B10/B16 circuit breaker	
Switching capacity and service life of contacts		
• with resistive load		
Voltage	Current	No. of switching cycles (typical)
24 V DC	2.0 A	0.1 million
	1.0 A	0.2 million
	0.5 A	1.0 million
60 V DC	0.5 A	0.2 million
120 V DC	0.2 A	0.6 million
24 V AC	1.5 A	1.5 million
48 V AC	1.5 A	1.5 million
60 V AC	1.5 A	1.5 million
120 V AC	2.0 A	1.0 million
	1.0 A	1.5 million
	0.5 A	2.0 million
230 V AC	2.0 A	1.0 million
	1.0 A	1.5 million
	0.5 A	2.0 million
• with inductive load to IEC 947-5-1 DC13/AC15		
Voltage	Current	No. of switching cycles (typical)
24 V DC	2.0 A	0.05 million
	1.0 A	0.1 million
	0.5 A	0.5 million
DC 60 V	0.5 A	0.1 million
DC 120 V	0.2 A	0.3 million
24 V AC	1.5 A	1 million
48 V AC	1.5 A	1 million
AC 60 V	1.5 A	1 million
AC 120 V	2.0 A	0.7 million
	1.0 A	1.0 million
	0.5 A	1.5 million
230 V AC	2.0 A	0.7 million
	1.0 A	1.0 million
	0.5 A	1.5 million
An external protective circuit will increase the service life of contacts.		
Size of the motor starter	max. size 5 to NEMA	
Lamp load	50 W / 230 V AC 5 W / 24 V DC	
Contact protection (internal)	none	

Technical specifications	
Wiring two outputs in parallel	
<ul style="list-style-type: none"> for redundant load control 	supported (only outputs of the same group)
<ul style="list-style-type: none"> for performance increase 	not supported
Control of a digital input	supported
Switching frequency	
<ul style="list-style-type: none"> Mechanical 	max. 10 Hz
<ul style="list-style-type: none"> with resistive load 	max. 1 Hz
<ul style="list-style-type: none"> with inductive load to IEC 947-5-1, DC13/AC15 	max. 0.5 Hz
<ul style="list-style-type: none"> with lamp load 	max. 1 Hz
Wiring of the actuators	using a 20-pin front connector

3.34 Relay output module SM 322; DO 8 x Rel. AC 230 V; (6ES7322-1HF01-0AA0)

Order number

6ES7322-1HF01-0AA0

Properties

The SM 322; DO 8 x Rel. 230 V AC is characterized by the following properties:

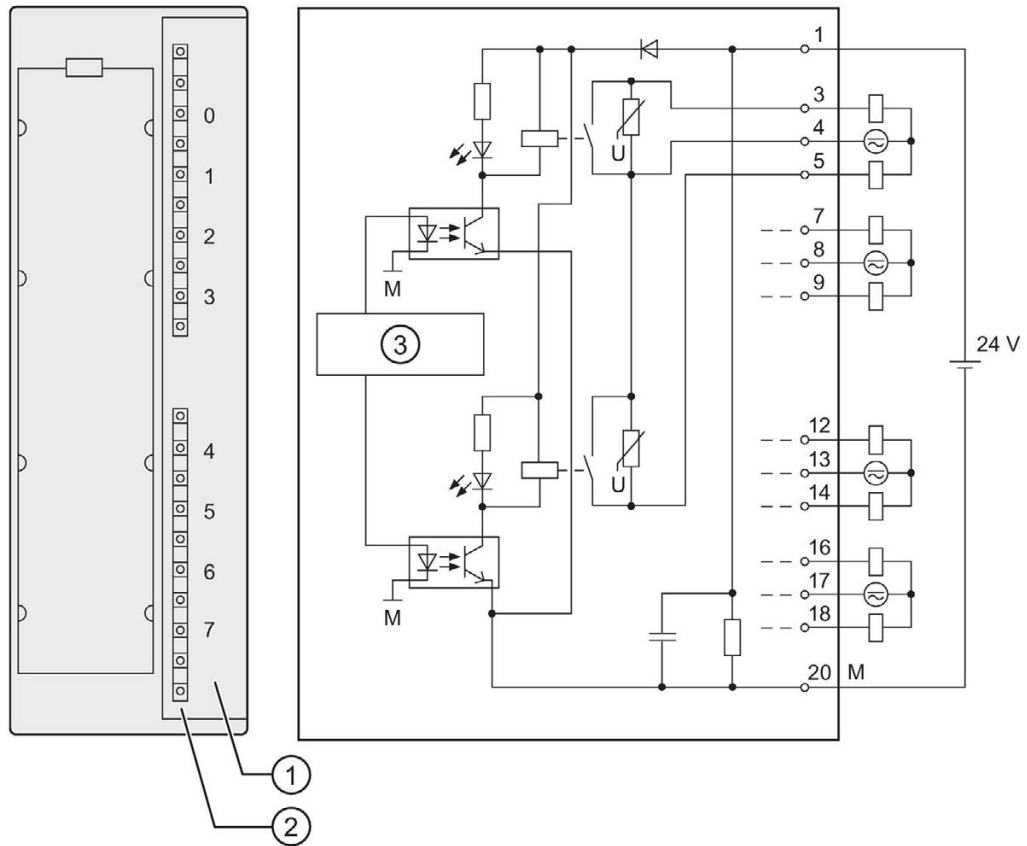
- 8 outputs, electrically isolated in groups of 2
- Rated load voltage 24 to 120 V DC, 48 V to 230 V AC
- Suitable for AC/DC solenoid valves, contactors, motor starters, FHP motors and signal lamps.

Reaction to a shutdown of the power supply

Note

The following only applies to SM 322; DO 8 x Rel. 230 V AC with product version 1: The internal backup capacitor provides power for the duration of ca. 200 ms. This backup time is sufficient to briefly control the relay in the user program.

Wiring and block diagram of SM 322; DO 8 x Rel. 230 V AC



- ① Channel number
- ② Status display - green
- ③ Backplane bus interface

Technical specifications of the SM 322; DO 8 x Rel. 230 V AC

Technical specifications	
Dimensions and weight	
Dimensions W x H x D (mm)	40 x 125 x 117
Weight	ca. 190 g
Module-specific data	
Supports isochronous mode	no
Number of outputs	8
Cable length	
• unshielded	max. 600 m
• shielded	max. 1000 m

3.34 Relay output module SM 322; DO 8 x Rel. AC 230 V; (6ES7322-1HF01-0AA0)

Technical specifications	
Voltages, currents, electrical potentials	
Rated power supply L+ to the relays	24 V DC
Total current of outputs (per group)	max. 4 A
Electrical isolation	
• between channels and the backplane bus	yes
• between channels in groups of	yes 2
Maximum potential difference	
• Between M _{internal} and the power supply to relays and outputs	230 V AC
• Between outputs of different groups	500 V AC
Isolation test voltage	
• between M _{internal} and the power supply to relays	500 V DC
• between M _{internal} and the power supply to relays and outputs	2000 V AC
• between outputs of different groups	2000 V AC
Current consumption	
• from the backplane bus	max. 40 mA
• from power supply L+	max. 160 mA
Power loss of the module	typ. 3.2 W
Status, interrupts, diagnostics	
Status display	green LED per channel
Interrupts	none
Diagnostic functions	none
Actuator selection data	
Thermal current, continuous	max. 3 A
Minimum load voltage / current	10 V / 5 mA
Short circuit-proof to IEC 947-5-1 ²⁾	With circuit-breaker, characteristics B, for: cos Φ 1.0: 600 A cos Φ 0.5...0.7: 900 A With 8 A Diazed fuse: 1000 A

Technical specifications		
Switching capacity and useful life of contacts		
<ul style="list-style-type: none"> with resistive load 		
Voltage	Current	No. of switching cycles (typical)
24 V DC	2.0 A	0.7 million
	1.0 A	1.6 million
	0.5 A	4 million
60 V DC	0.5 A	1.6 million
120 V DC	0.2 A	1.6 million
48 V AC	2.0 A	1.6 million
60 V AC	2.0 A	1.2 million
120 V AC	2.0 A	0.5 million ²⁾
	1.0 A	0.7 million ²⁾
	0.5 A	1.5 million ²⁾
	2.0 A	0.5 million ²⁾
	1.0 A	0.7 million ²⁾
230 V AC	0.5 A	1.5 million
	2.0 A	0.5 million ²⁾
	1.0 A	0.7 million ²⁾
<ul style="list-style-type: none"> with inductive load to IEC 947-5-1 DC13/AC15 		
Voltage	Current	No. of switching cycles (typical)
24 V DC	2.0 A	0.3 million
	1.0 A	0.5 million
	0.5 A	1.0 million
60 V DC	0.5 A	0.5 million
	0.2 A	0.3 million ²⁾
120 V DC	1.5 A	1 million
48 V AC	1.5 A	1 million
60 V AC	2.0 A	0.2 million
120 V AC	1.0 A	0.7 million
	0.7 A	1 million
	0.5 A	2.0 million
	2.0 A	0.3 million ²⁾
	1.0 A	0.7 million ²⁾
230 V AC	0.5 A	2 million ²⁾
	0.5 A	2 million ²⁾
Contact protection (internal)	Varistor SIOV-CU4032 K275 G	
An external protective circuit extends the useful life of contacts.		
Actuator selection data [continued]		
Lamp load ¹⁾	max. 50 W	
	Power	No. of switching cycles (typical)
Lamp load (230 V AC) ²⁾	700 W	25000
	1500 W	10000
Energy-saving lamps/fluorescent lamps with electronic ballast ²⁾	10 x 58 W	25000

3.34 Relay output module SM 322; DO 8 x Rel. AC 230 V; (6ES7322-1HF01-0AA0)

Technical specifications		
Fluorescent lamps, conventionally compensated ²⁾	1 x 58 W	25000
Fluorescent lamps, non-compensated ²⁾	10 x 58 W	25000
Wiring two outputs in parallel		
• for redundant load control	supported (only outputs of the same group)	
• for performance increase	not supported	
Control of a digital input	supported	
Switching frequency		
• Mechanical	max. 10 Hz	
• with resistive load	max. 2 Hz	
• with inductive load to IEC 947-5-1, DC13/AC15	max. 0.5 Hz	
• with lamp load	max. 2 Hz	
Wiring of the actuators	using a 20-pin front connector	

1) Product version 1

2) Product version 2 or higher

3.35 Relay output module SM 322; DO 8 x Rel. 230VAC/5A; (6ES7322-5HF00-0AB0)

Order number

6ES7322-5HF00-0AB0

Properties

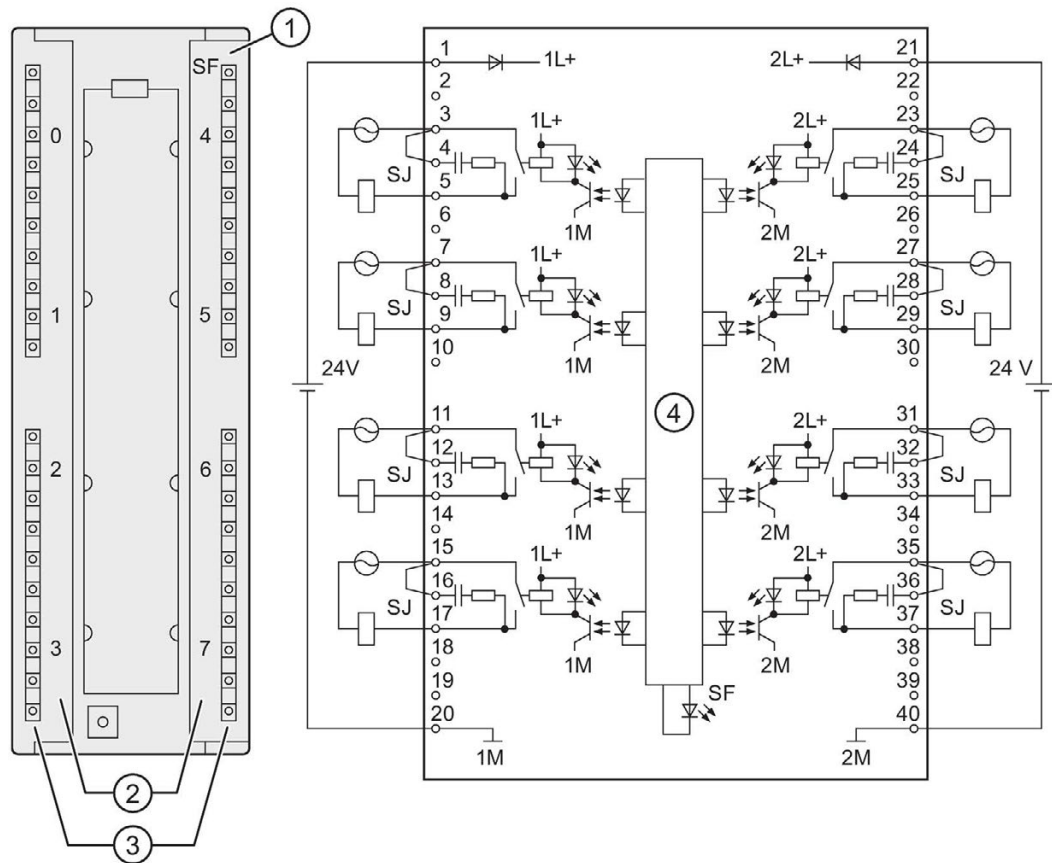
The relay output module SM 322; DO 8 x Rel. 230 V AC / 5A is characterized by the following properties:

- 8 outputs, electrically isolated
- Load voltage 24 to 120 V DC, 24 to 230 V AC
- Suitable for AC solenoid valves, contactors, motor starters, FHP motors and signal lamps
- You can protect the contacts with an RC quenching element by setting a jumper (SJ.)
- Group error display
- Channel-specific status displays
- Programmable diagnostic interrupt
- Programmable substitute value output
- Supports parameter reassignment in RUN

Overvoltage protection of contacts

You can protect the contacts against overvoltage by bridging (SJ) the module terminals 3 and 4, 7 and 8, 12 and 13 etc. (see the diagram below).

Wiring and block diagram of SM 322; DO 8 x Rel. 230 V AC / 5A

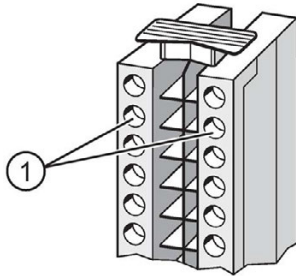


- ① Error LED - red
- ② Channel number
- ③ Status display - green
- ④ Backplane bus interface

Operation on safety extra-low voltage (SELV)

Make allowances for the special feature outlined below when operating the 6ES7322-5HF00-0AB0 relay output module on SELV:

The horizontally adjacent terminal of a terminal operated on SELV may not be operated at a rated voltage higher than 120 VUC. When operated at voltages higher than 120 VUC, the creepage distances and air gaps in the 40-pin front connector do not meet SIMATIC requirements of safe electrical separation.



- ① If one of two horizontally adjacent terminals is operated on SELV, the other terminal may not be operated at more than 120 VUC.

Technical specifications of the SM 322; DO 8 x Rel. 230 V AC / 5A

Technical specifications	
Dimensions and weight	
Dimensions W x H x D (mm)	40 x 125 x 117
Weight	ca. 320 g
Module-specific data	
Supports parameter reassignment in RUN	Yes
<ul style="list-style-type: none"> • Reaction of non-programmed outputs 	Return the output value which was valid before the parameterization
Supports isochronous mode	no
Number of outputs	8
Cable length	
<ul style="list-style-type: none"> • unshielded • shielded 	max. 600 m max. 1000 m

3.35 Relay output module SM 322; DO 8 x Rel. 230VAC/5A; (6ES7322-5HF00-0AB0)

Technical specifications	
Voltages, currents, electrical potentials	
Rated electronics supply voltage L+	24 V DC
<ul style="list-style-type: none"> Reverse polarity protection 	yes
Total current of outputs (per group)	
<ul style="list-style-type: none"> horizontal mounting position up to 60° 	max. 5 A
<ul style="list-style-type: none"> vertical mounting position up to 40° 	max. 5 A
Electrical isolation	
<ul style="list-style-type: none"> between channels and the backplane bus 	yes
<ul style="list-style-type: none"> between channels and the power supply to relays 	yes
<ul style="list-style-type: none"> between channels in groups of 	yes 1
Maximum potential difference	
<ul style="list-style-type: none"> Between M_{internal} and the power supply to relays and outputs 	250 V AC
<ul style="list-style-type: none"> Between outputs of different groups 	500 V AC
Isolation test voltage	
<ul style="list-style-type: none"> between M_{internal} and the power supply to relays 	500 V DC
<ul style="list-style-type: none"> between M_{internal} and the power supply to relays and outputs 	1500 V AC
<ul style="list-style-type: none"> between outputs of different groups 	2000 V AC
Current consumption	
<ul style="list-style-type: none"> from the backplane bus from power supply L+ 	max. 100 mA max. 160 mA
Power loss of the module	typ. 3.5 W
Status, interrupts, diagnostics	
Status display	green LED per channel
Interrupts	
<ul style="list-style-type: none"> Diagnostic interrupt 	programmable
Diagnostic functions	
<ul style="list-style-type: none"> Group error display 	red LED (SF)
<ul style="list-style-type: none"> Reading diagnostics information 	supported

Technical specifications		
Actuator selection data		
Thermal current, continuous	max. 5 A	
Minimum load voltage / current	10 V /10 mA ¹⁾	
Residual current	11.5 mA ²⁾	
Short circuit-proof to IEC 947-5-1	With circuit-breaker, characteristics B, for: cos Φ 1.0: 600 A cos Φ 0.5...0.7: 900 A With 8 A Diazed fuse: 1000 A	
Switching capacity and useful life of contacts		
<ul style="list-style-type: none"> with resistive load 		
Voltage	Current	No. of switching cycles (typical)
24 V DC	5.0 A	0.2 million
24 V DC	2.5 A	0.4 million
24 V DC	1.0 A	0.9 million
24 V DC	0.2 A	1.7 million
24 V DC	0.1 A	2 million
120 V DC	0.2 A	1.7 million
120 V DC	0.1 A	2 million
230 V AC	5.0 A	0.2 million
230 V AC	2.5 A	0.4 million
230 V AC	1.0 A	0.9 million
230 V AC	0.2 A	1.7 million
230 V AC	0.1 A	2 million
<ul style="list-style-type: none"> with inductive load 		
Voltage	Current	No. of switching cycles (typical)
24 V DC	5.0 A	0.1 million
24 V DC	2.5 A	0.25 million
24 V DC	1.0 A	0.5 million
24 V DC	0.2 A	1 million
24 V DC	0.1 A	1.2 million
120 V DC	0.1 A	1.2 million
230 V AC	5.0 A	0.1 million
230 V AC	2.5 A	0.25 million
230 V AC	1.0 A	0.5 million
230 V AC	0.2 A	1 million
230 V AC	0.1 A	1.2 million

Technical specifications		
An RC quenching element (jumper "SJ" inserted) or an external protection circuit extend the service life of contacts.		
Size of the motor starter	max. size 5 to NEMA	
	Power	No. of switching cycles (typical)
Lamp load (230 V AC)	1000 W 1500 W	25000 10000
Energy-saving lamps/fluorescent lamps with electronic ballast ³⁾	10 x 58 W	25000
Fluorescent lamps, conventionally compensated	1 x 58 W	25000
Fluorescent lamps, non-compensated	10 x 58 W	25000
Contact protection	RC quenching element; 330 Ω, 0.1 μF	
Wiring two outputs in parallel		
• for redundant load control	supported (only outputs with the same load voltage)	
• for performance increase	not supported	
Control of a digital input	supported	
Switching frequency		
• Mechanical	max. 10 Hz	
• with resistive load	max. 2 Hz	
• with inductive load to IEC 947-5-1, DC13/AC15	max. 0.5 Hz	
• with lamp load	max. 2 Hz	
Wiring of the actuators	using a 40-pin front connector	
¹⁾ Without inserted jumper (SJ). ²⁾ With AC load voltage and inserted jumper (SJ). No residual current if the jumper (SJ) is not installed. ³⁾ The sum of all inrush currents on a ballast connected to an output must not exceed 5 A.		

Note

The residual current of an RC quenching element connected to IEC Type 1 inputs may cause unwanted signal states. Remove the SJ jumper to rectify this fault.

Configuration in RUN

Special considerations must be given if you use the Configuration in RUN function.

SF LED is lit:

Status before re-configuration diagnostics on, SF LEDs lit among others (on CPU, IM or module), although diagnostics are no longer pending and the module is operating correctly.

Solution:

- Only change the configuration when no diagnostics are pending for the module or
- Pulling and plugging the module.

3.35.1 Parameters of SM 322; DO 8 x Rel. AC 230V/5A

Parameters of SM 322; DO 8 x Rel. AC 230V/5A

The table below provides an overview of configurable parameters and defaults for SM 322; DO 8 x Rel. AC 230V/5A.

The defaults apply if you have not set any parameters in **STEP 7**.

Table 3- 35 Parameters of SM 322; DO 8 x Rel. AC 230V/5A

Parameters	Range of values	Defaults	Parameter type	Scope
Enable • Diagnostic interrupts	yes/no	no	Dynamic	Module
Reaction to CPU STOP	Set substitution value (SSV) Hold last value (HLV)	SSV	Dynamic	Channel
Set substitution value "1"	yes/no	no	Dynamic	Channel

See also

Programming digital modules (Page 58)

3.35.2 SM 322; DO 8 x Rel. AC 230V/5A - Diagnostics

Diagnostics messages of SM 322; DO 8 x Rel. AC 230V/5A

The table below provides an overview of the diagnostic messages of SM 322; DO 8 x Rel. AC 230V/5A.

Table 3- 36 Diagnostics messages of SM 322; DO 8 x Rel. AC 230V/5A

Diagnostics message	LED	Scope of diagnostics	programmable
Watchdog time-out	SF	Module	no
EPROM error	SF	Module	no
RAM error	SF	Module	no

Causes of error and troubleshooting

Table 3- 37 Diagnostic messages of SM 322; DO 8 x Rel. AC230V/5A, cause of error and troubleshooting

Diagnosics message	Error detection	Possible cause of error	To correct or avoid errors
Watchdog time-out	generally	infrequent high level of electro-magnetic interference	Eliminate interference and cycle the CPU power supply off and on
		Defective module	Replace the module
EPROM error	generally	infrequent high level of electro-magnetic interference	Eliminate interference and cycle the CPU power supply off and on
		Defective module	Replace the module
RAM error	generally	transient high electromagnetic interference	Eliminate interference and cycle the CPU power supply off and on
		Defective module	Replace the module

3.35.3 SM 322; DO 8 x Rel. AC 230V/5A - Interrupts

Introduction

The SM 322; DO 8 x Rel. AC 230V/5A can trigger diagnostic interrupts.

For detailed information on the OBs and SFCs mentioned below, refer to the *STEP 7* Online Help.

Enabling interrupts

There is no default interrupt setting, i.e. interrupts are disabled if not set accordingly. Program the interrupt enable parameter in **STEP 7**.

Diagnostic interrupt

Incoming error events (initial occurrence) and outgoing error events (error is cleared) are reported by means of diagnostics interrupt, if this interrupt is enabled.

The CPU interrupts user program execution in order to process diagnostics interrupt OB82.

You can call SFC51 or 59 in OB82 in the user program to obtain detailed diagnostics data from the module.

Diagnostics data remain consistent until the program exits OB82. The module acknowledges the diagnostics interrupt when the program exits OB82.

3.36 Relay output module SM 322; DO 8 x Rel. AC 230 V/5 A; (6ES7322-1HF10-0AA0)

Order number: "Standard module"

6ES7322-1HF10-0AA0

Order number: "SIPLUS S7-300 module"

6AG1322-1HF10-2AA0

Properties

The SM 322; DO 8 x Rel. 230 V AC / 5 A is characterized by the following properties:

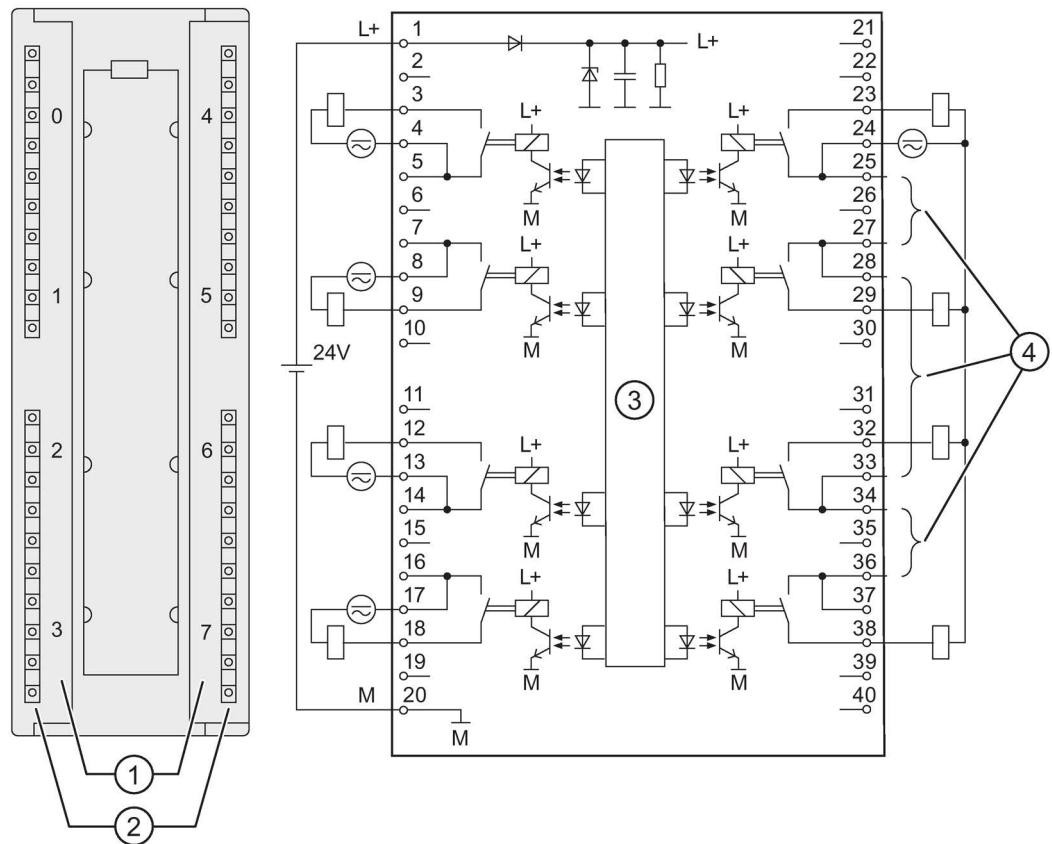
- 8 outputs, electrically isolated in groups of 1
- Rated load voltage 24 to 120 V DC, 48 V to 230 V AC
- Suitable for AC/DC solenoid valves, contactors, motor starters, FHP motors and signal lamps.

Measures to take for switching currents > 3 A

Note

Always use connecting cables with a cross-section of 1.5 mm² when operating with switching currents > 3 A in order to reduce any temperature rise in the connector area of the module to a minimum.

Wiring and block diagram of SM 322; DO 8 x Rel. 230 V AC / 5 A



- ① Channel number
- ② Status displays - green
- ③ Backplane bus interface
- ④ Options of looping the power supply to contacts

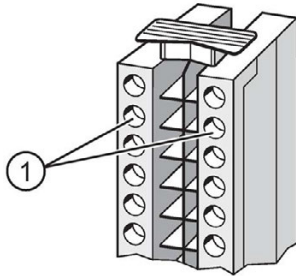
$I_{\text{Accumulated current}} \leq 8 \text{ A at } T_U \leq 30 \text{ }^\circ\text{C}$

$I_{\text{Accumulated current}} \leq 5 \text{ A at } T_U \leq 60 \text{ }^\circ\text{C}$

Operation on safety extra-low voltage (SELV)

Make allowances for the special feature outlined below when operating relay output module 322-1HF10 on SELV:

To operate a terminal on SELV, the horizontally adjacent terminal may not be operated at a rated voltage higher than 120 VUC. The creepage distances and air gaps of the 40-pin front connector do not meet SIMATIC requirements in terms of safe electrical separation if operated with voltages above 120 VUC.



- ① If one of two horizontally adjacent terminals is operated on SELV, the other terminal may not be operated at more than 120 VUC.

Technical specifications of the SM 322; DO 8 x Rel. 230 V AC / 5 A

Technical specifications	
Dimensions and weight	
Dimensions W x H x D (mm)	40 x 125 x 120
Weight	ca. 320 g
Module-specific data	
Supports isochronous mode	no
Number of outputs	8
Cable length	
• unshielded	max. 600 m
• shielded	max. 1000 m

Technical specifications	
Voltages, currents, electrical potentials	
Rated power supply L+ to the relays	24 V DC
Total current of outputs (per group)	
<ul style="list-style-type: none"> • horizontal mounting position to 30 °C • vertical mounting position to 40 °C 	max. 8 A max. 5 A max. 5 A
Electrical isolation	
• between channels and the backplane bus	yes
• between channels in groups of	yes 1
Maximum potential difference	
• Between M _{internal} and the power supply to relays and outputs	250 V AC
• Between outputs of different groups	500 V AC
Isolation test voltage	
• between M _{internal} and the power supply to relays	500 V DC
• between M _{internal} and the power supply to relays and outputs	1500 V AC
• between outputs of different groups	2000 V AC
Current consumption	
<ul style="list-style-type: none"> • from the backplane bus • from power supply L+ 	max. 40 mA max. 125 mA
Power loss of the module	typ. 3.2 W
Status, interrupts, diagnostics	
Status display	green LED per channel
Interrupt	none
Diagnostic functions	none

Technical specifications		
Actuator selection data		
Thermal current, continuous	max. 8 A	
Minimum load voltage / current	10 V / 5 mA	
Short-circuit current to IEC 947-5-1	With circuit-breaker, characteristics B, for: cos Φ 1.0: 600 A cos Φ 0.5...0.7: 900 A With 8 A Diazed fuse: 1000 A	
Switching capacity and useful life of contacts		
<ul style="list-style-type: none"> with resistive load 		
Voltage	Current	No. of switching cycles (typical)
24 V DC	8.0 A	0.1 million
	4.0 A	0.3 million
	2.0 A	0.7 million
	0.5 A	4.0 million
60 V DC	0.5 A	4 million
120 V DC	0.2 A	1.6 million
48 V AC	8.0 A	0.1 million
	2.0 A	1.6 million
60 V AC	8.0 A	0.1 million
	2.0 A	1.2 million
120 V AC	8.0 A	0.1 million
	4.0 A	0.3 million
	2.0 A	0.5 million
	1.0 A	0.7 million
	0.5 A	1.5 million
230 V AC	8.0 A	0.1 million
	4.0 A	0.3 million
	2.0 A	0.5 million
	1.0 A	0.7 million
	0.5 A	1.5 million
Switching capacity and useful life of contacts		
<ul style="list-style-type: none"> with inductive load to IEC 947-5-1 DC13/AC15 		

3.36 Relay output module SM 322; DO 8 x Rel. AC 230 V/5 A; (6ES7322-1HF10-0AA0)

Technical specifications		
Voltage	Current	No. of switching cycles (typical)
24 V DC	2.0 A	0.3 million
	1.0 A	0.5 million
	0.5 A	1 million
60 V DC	0.5 A	0.5 million
	0.3 A	1 million
120 V DC	0.2 A	0.5 million
48 V AC	3.0 A	0.5 million
	1.5 A	1 million
60 V AC	3.0 A	0.3 million
	1.5 A	1 million
120 V AC	3.0 A	0.2 million
	2.0 A	0.3 million
	1.0 A	0.7 million
	0.5 A	2 million
230 V AC	3.0 A	0.1 million
	2.0 A	0.3 million
	1.0 A	0.7 million
	0.5 A	2.0 million
• Aux. contactors Size 0 (3TH28)		30 million
An external protective circuit extends the useful life of contacts.		
	Power	No. of switching cycles (typical)
Lamp load (230 V AC)	1000 W	25000
	1500 W	10000
Energy-saving lamps/fluorescent lamps with electronic ballast	10 x 58 W	25000
Fluorescent lamps, conventionally compensated	1 x 58 W	25000
Fluorescent lamps, non-compensated	10 x 58 W	25000
Contact protection (internal)	none	
Wiring two outputs in parallel		
• For redundant load control	supported	
• for performance increase	not supported	
Control of a digital input	supported	
Switching frequency		
• Mechanical	max. 10 Hz	
• with resistive load	max. 2 Hz	
• with inductive load to IEC 947-5-1, DC13/AC15	max. 0.5 Hz	
• with lamp load	max. 2 Hz	
Wiring of the actuators	using a 40-pin front connector	

3.37 Digital IO module SM 323; DI 16/DO 16 x DC 24 V/0.5 A; (6ES7323-1BL00-0AA0)

Order number

6ES7323-1BL00-0AA0

Properties

Properties of SM 323; DI 16/DO 16 x DC 24 V/0.5 A:

- 16 inputs, electrically isolated in groups of 16
- 16 outputs, electrically isolated in groups of 8
- Rated input voltage 24 V DC
- Rated load voltage 24 V DC
- Inputs suitable for switches and 2-/3-/4-wire proximity switches (BEROs)
- Outputs capable of driving solenoid valves, DC contactors and indicator lights

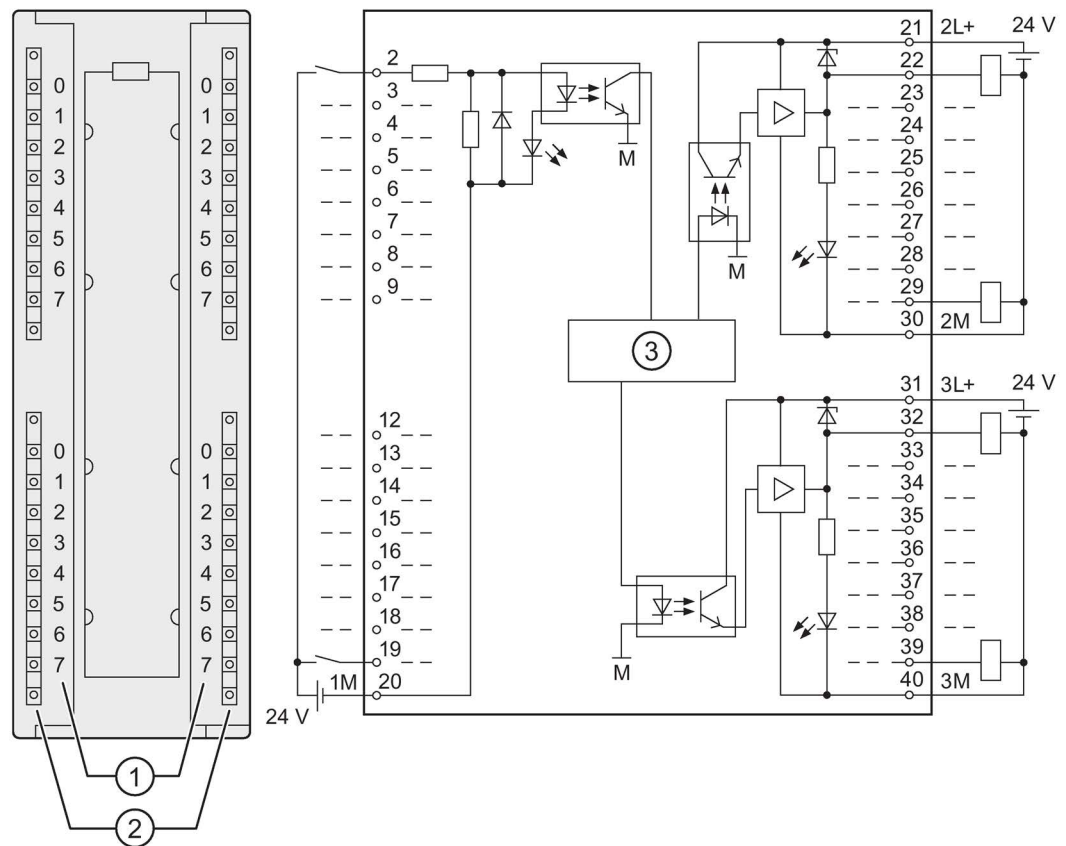
Use of the module with high-speed counters

Please note when using the module in combination with high-speed counters:

Note

When using a mechanical contact to switch on the 24-V power supply to SM 323; DI 16/DO 16 x DC 24 V/0.5 A, its outputs will carry "1" signal for the duration of ca. 50 μ s, due to the circuit structure.

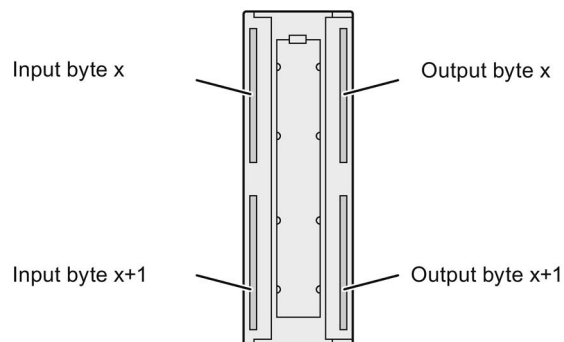
Wiring and block diagram of SM 323; DI 16/DO 16 x DC 24 V/0.5 A



- ① Channel number
- ② Status displays - green
- ③ Backplane bus interface

Terminal assignment

The diagram below shows the IO addressing of channels.



SM 323; DI 16/DO 16 x DC 24 V/0.5 A - Technical specifications

Technical specifications	
Dimensions and weight	
Dimensions W x H x D (mm)	40 x 125 x 117
Weight	ca. 260 g
Module-specific data	
Isochronous	no
Number of inputs	16
Number of outputs	16
Cable length	
<ul style="list-style-type: none"> • unshielded • shielded 	max. 600 m max. 1000 m
Voltages, currents, electrical potentials	
Rated load voltage L+	24 V DC
Number of simultaneously controlled inputs	
<ul style="list-style-type: none"> • horizontal mounting position <li style="padding-left: 20px;">to 40 °C <li style="padding-left: 20px;">to 60 °C 	16 8
<ul style="list-style-type: none"> • vertical mounting position <li style="padding-left: 20px;">to 40 °C 	16
Total current of outputs (per group)	
<ul style="list-style-type: none"> • horizontal mounting position <li style="padding-left: 20px;">to 40 °C <li style="padding-left: 20px;">to 60 °C 	max. 4 A max. 3 A
<ul style="list-style-type: none"> • vertical mounting position <li style="padding-left: 20px;">to 40 °C 	max. 2 A
Electrical isolation	
<ul style="list-style-type: none"> • between channels and the backplane bus 	yes
<ul style="list-style-type: none"> • between channels <li style="padding-left: 20px;">Inputs in groups of <li style="padding-left: 20px;">Outputs in groups of 	yes 16 8
Isolation test voltage	500 V DC
Current consumption	
<ul style="list-style-type: none"> • from the backplane bus • from load voltage L+ (no-load) 	max. 80 mA max. 80 mA
Power loss of the module	typ. 6.5 W

3.37 Digital IO module SM 323; DI 16/DO 16 x DC 24 V/0.5 A; (6ES7323-1BL00-0AA0)

Technical specifications	
Status, interrupts, diagnostics	
Status display	green LED per channel
Interrupts	none
Diagnostic functions	none
Encoder selection data	
Input voltage	
<ul style="list-style-type: none"> Rated value "1" signal "0" signal 	24 V DC 13 V to 30 V - 30 V to + 5 V
Input current	
<ul style="list-style-type: none"> "1" signal 	typ. 7 mA
Input delay	
<ul style="list-style-type: none"> "0" to "1" transition "1" to "0" transition 	1.2 ms to 4.8 ms 1.2 ms to 4.8 ms
Input characteristics	to IEC 61131, type 1
Connection of 2-wire BEROs	supported
<ul style="list-style-type: none"> Permissible quiescent current 	max. 1.5 mA
Wiring of the signal transmitters	using a 40-pin front connector
Actuator selection data	
Output voltage	
<ul style="list-style-type: none"> "1" signal 	min. L + (- 0.8 V)
Output current	
<ul style="list-style-type: none"> "1" signal Rated value Permitted range	0.5 A 5 mA to 0.6 A
<ul style="list-style-type: none"> "0" signal (residual current) 	max. 0.5 mA
Output delay (resistive load)	
<ul style="list-style-type: none"> "0" to "1" transition "1" to "0" transition 	Max. 100 μ s Max. 500 μ s
Load resistance range	48 Ω to 4 k Ω
Lamp load	Max. 5 W
Wiring two outputs in parallel	
<ul style="list-style-type: none"> for redundant load control 	supported (only outputs of the same group)
<ul style="list-style-type: none"> for performance increase 	not supported

Technical specifications	
Control of a digital input	supported
Switching frequency <ul style="list-style-type: none"> • with resistive load • with inductive load to IEC 947-5-1, DC 13 • with lamp load 	max. 100 Hz max. 0.5 Hz max. 10 Hz
Internal limiting of the inductive shutdown voltage to	typ. L + (- 53 V)
Short circuit-proof output	yes, electronic
<ul style="list-style-type: none"> • Threshold 	typ. 1 A
Wiring of the actuators	using a 40-pin front connector

3.38 Digital IO module SM 323; DI 8/DO 8 x DC 24 V/0.5 A; (6ES7323-1BH01-0AA0)

Order number: "Standard module"

6ES7323-1BH01-0AA0

Order number: "SIPLUS S7-300 module"

6AG1323-1BH01-2AA0

Properties

Properties of SM 323; DI 8/DO 8 x DC 24 V/0.5 A:

- 8 inputs, electrically isolated in groups of 8
- 8 outputs, electrically isolated in groups of 8
- Rated input voltage 24 V DC
- Rated load voltage 24 V DC
- Inputs suitable for switches and 2-/3-/4-wire proximity switches (BEROs)
- Outputs capable of driving solenoid valves, DC contactors and indicator lights

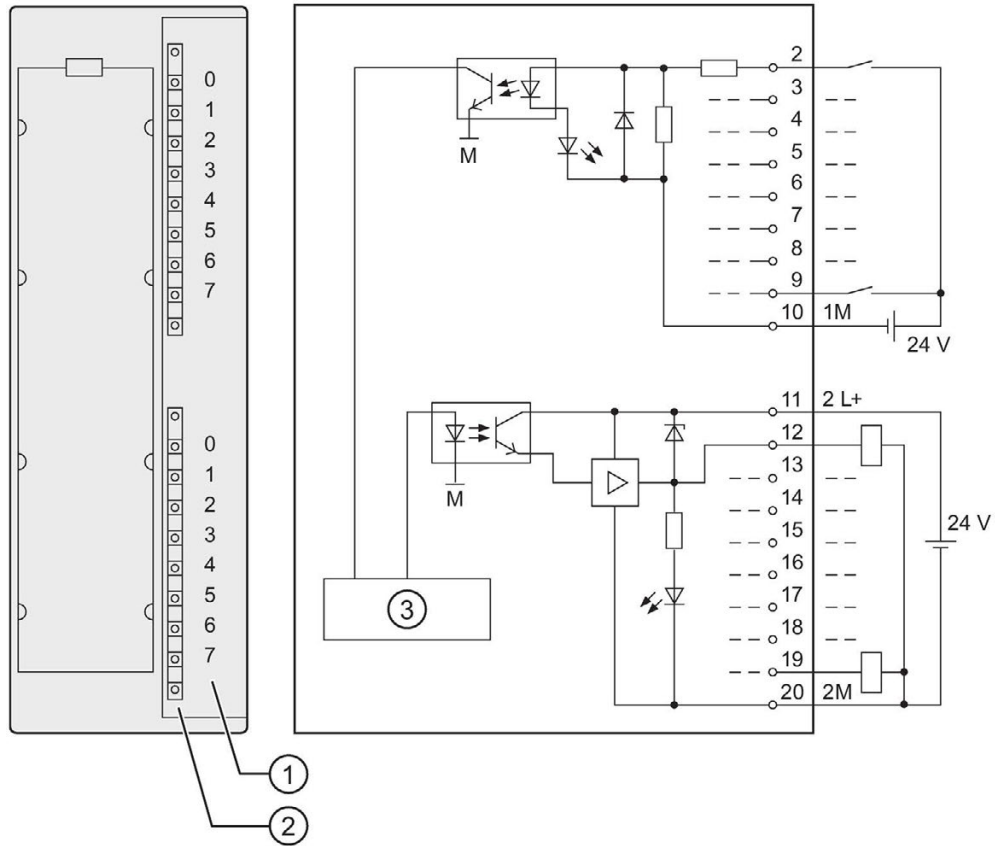
Use of the module with high-speed counters

Please note when using the module in combination with high-speed counters:

Note

When using a mechanical contact to switch on the 24-V power supply to SM 323; DI 8/DO 8 x DC 24 V/0.5 A, its outputs will carry "1" signal for the duration of ca. 50 µs, due to the circuit structure.

Wiring and block diagram of SM 323; DI 8/DO 8 x DC 24 V/0.5 A



- ① Channel number
- ② Status displays - green
- ③ Backplane bus interface

SM 323; DI 8/DO 8 x DC 24 V/0.5 A - Technical specifications

Technical specifications	
Dimensions and weight	
Dimensions W x H x D (mm)	40 x 125 x 117
Weight	ca. 200 g
Module-specific data	
Supports isochronous mode	no
Number of inputs	8
Number of outputs	8
Cable length	
• unshielded	max. 600 m
• shielded	max. 1000 m

Technical specifications	
Voltages, currents, electrical potentials	
Rated load voltage L+	24 V DC
Number of simultaneously controlled inputs	
<ul style="list-style-type: none"> horizontal mounting position to 60 °C 	8
<ul style="list-style-type: none"> vertical mounting position to 40 °C 	8
Total current of outputs (per group)	
<ul style="list-style-type: none"> horizontal mounting position to 60 °C 	max. 4 A
<ul style="list-style-type: none"> vertical mounting position to 40 °C 	max. 4 A
Electrical isolation	
<ul style="list-style-type: none"> between channels and the backplane bus 	yes
<ul style="list-style-type: none"> between channels 	yes
Inputs in groups of	8
Outputs in groups of	8
Isolation test voltage	500 V DC
Current consumption	
<ul style="list-style-type: none"> from the backplane bus 	max. 40 mA
<ul style="list-style-type: none"> from load voltage L+ (no-load) 	max. 40 mA
Power loss of the module	typ. 3.5 W
Status, interrupts, diagnostics	
Status display	green LED per channel
Interrupts	none
Diagnostic functions	none
Encoder selection data	
Input voltage	
<ul style="list-style-type: none"> Rated value 	24 V DC
<ul style="list-style-type: none"> "1" signal 	13 V to 30 V
<ul style="list-style-type: none"> "0" signal 	- 30 V to + 5 V
Input current	
<ul style="list-style-type: none"> "1" signal 	typ. 7 mA
Input delay	
<ul style="list-style-type: none"> "0" to "1" transition 	1.2 ms to 4.8 ms
<ul style="list-style-type: none"> "1" to "0" transition 	1.2 ms to 4.8 ms
Input characteristics	to IEC 61131, type 1
Connection of 2-wire BEROs	
<ul style="list-style-type: none"> Permissible quiescent current 	max. 1.5 mA
Wiring of the signal transmitters	using a 20-pin front connector

Technical specifications	
Actuator selection data	
Output voltage • "1" signal	min. L + (- 0.8 V)
Output current • "1" signal Rated value Permitted range	0.5 A 5 mA to 0.6 A
• "0" signal (residual current)	Max. 0.5 mA
Output delay (resistive load) • "0" to "1" transition • "1" to "0" transition	Max. 100 µs Max. 500 µs
Load resistance range	48 Ω to 4 kΩ
Lamp load	Max. 5 W
Wiring two outputs in parallel • for redundant load control • for performance increase	supported (only outputs of the same group) not supported
Control of a digital input	supported
Switching frequency • with resistive load • with inductive load to IEC 947-5-1, DC 13 • with lamp load	max. 100 Hz max. 0.5 Hz max. 10 Hz
Internal limiting of the inductive shutdown voltage to	typ. L + (- 53 V)
Short circuit-proof output • Threshold	yes, electronic typ. 1 A
Wiring of the actuators	using a 20-pin front connector

3.39 Programmable digital IO module SM 327; DI 8/DO 8 x DC 24 V/0.5 A (6ES7327-1BH00-0AB0)

Order number

6ES7327-1BH00-0AB0

Properties

Properties of SM 327; DI 8/DO 8 x DC 24 V/0.5 A:

- 8 digital inputs and 8 individually configurable inputs or outputs, isolated in groups of 16
- Rated input voltage 24 V DC
- Inputs suitable for switches and 2-/3-/4-wire proximity switches (BEROs)
- Output current 0.5 A
- Rated load voltage 24 V DC
- Outputs capable of driving solenoid valves, DC contactors and indicator lights
- Dynamic change of parameters in RUN (CiR-compatible), separately at each channel.
- Readback of outputs.

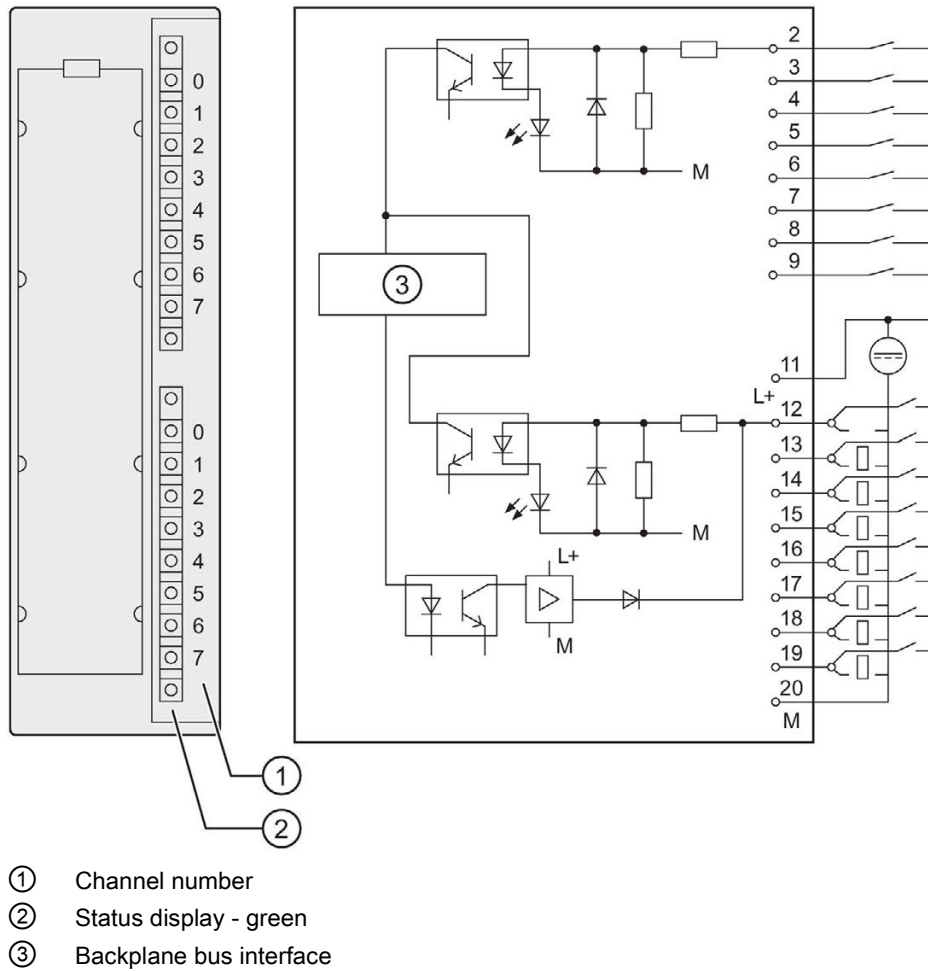
Use of the module with high-speed counters

Please note when using the module in combination with high-speed counters:

Note

When using a mechanical contact to switch on the 24-V power supply to SM 327; DI 8/DO 8 x DC 24 V/0.5 A, its outputs will carry "1" signal for the duration of ca. 50 µs, due to the circuit structure.

Wiring and block diagram of SM 327; DI 8/DO 8 x DC 24 V/0.5 A, programmable



Technical specifications of SM 327; DI 8/DO 8 x DC 24 V/0.5 A, programmable

Technical specifications	
Dimensions and weight	
Dimensions W x H x D (mm)	40 x 125 x 120
Weight	ca. 200 g
Module-specific data	
Supports isochronous mode	no
Number of inputs	8 digital
Number of inputs/outputs	8, can be programmed separately
Cable length	
• unshielded	max. 600 m
• shielded	max. 1000 m

3.39 Programmable digital IO module SM 327; DI 8/DO 8 x DC 24 V/0.5 A (6ES7327-1BH00-0AB0)

Technical specifications	
Voltages, currents, electrical potentials	
Rated load voltage L+	24 V DC
Number of simultaneously controlled inputs	
<ul style="list-style-type: none"> horizontal mounting position to 60 °C 	16
<ul style="list-style-type: none"> vertical mounting position to 40 °C 	16
Total current of outputs (per group)	
<ul style="list-style-type: none"> horizontal mounting position to 40 °C to 60 °C 	max. 4 A max. 3 A
<ul style="list-style-type: none"> vertical mounting position to 40 °C 	max. 2 A
Electrical isolation	
<ul style="list-style-type: none"> between channels and the backplane bus 	yes
<ul style="list-style-type: none"> between channels 	no
Isolation test voltage	500 V DC
Current consumption	
<ul style="list-style-type: none"> from the backplane bus from load voltage L+ (no-load) 	max. 60 mA max. 20 mA
Power loss of the module	typ. 3 W
Status, interrupts, diagnostics	
Status display	green LED per channel
Interrupts	none
Diagnostic functions	none
Encoder selection data	
Input voltage	
<ul style="list-style-type: none"> Rated value "1" signal "0" signal 	24 V DC 15 V to 30 V - 30 V to + 5 V
Input current	
<ul style="list-style-type: none"> "1" signal 	typ. 6 mA
Input delay	
<ul style="list-style-type: none"> "0" to "1" transition "1" to "0" transition 	1.2 ms to 4.8 ms 1.2 ms to 4.8 ms
Input characteristics	to IEC 61131, type 1
Connection of 2-wire BEROs	
<ul style="list-style-type: none"> Permissible quiescent current 	supported max. 1.5 mA
Wiring of the signal transmitters	using a 20pin front connector

Technical specifications	
Actuator selection data	
Output voltage • "1" signal	min. L+ (-1.5 V)
Output current • "1" signal Rated value Permitted range	0.5 A 5 mA to 0.6 A
• "0" signal (residual current)	Max. 0.5 mA
Output delay (resistive load) • "0" to "1" transition • "1" to "0" transition	max. 350 µs max. 500 µs
Load resistance range	48 Ω to 4 kΩ
Lamp load	max. 5 W
Wiring two outputs in parallel • for redundant load control • for performance increase	supported not supported
Control of a digital input	supported
Switching frequency • with resistive load • with inductive load to IEC 947-5-1, DC 13 • with lamp load	max. 100 Hz max. 0.5 Hz max. 10 Hz
Internal limiting of the inductive shutdown voltage to	typ. L + (-54 V)
Short circuit-proof output • Threshold	yes, electronic typ. 1 A
Wiring of the actuators	using a 20pin front connector

3.39.1 Parameters of SM 327; DI 8/DO 8 x 24 VDC/0.5 A

Programming

The general procedure of programming digital modules is described in the chapter Programming digital modules (Page 58).

Parameters of SM 327; DI 8/DO 8 x DC 24 V/0.5 A, programmable

The table below lists the programmable parameters of SM 327; DI 8/DO 8 x DC 24 V/0.5 A, including defaults.

The defaults apply if you have not set any parameters in *STEP 7*.

The comparison illustrates the parameters you can edit:

- in *STEP 7*
- using SFC55 "WR_PARM"
- using SFB53 "WRREC" (for GSD, for example).

Parameters set in *STEP 7* may also be transferred to the module using SFCs 56 and 57, and SFB 53 (refer to the *STEP 7* Online Help).

Table 3- 38 Parameters of SM 327; DI 8/DO 8 x DC 24 V/0.5 A

Parameters	Range of values	Default	Parameter type	Scope	Data record number	Programmable using ...	
						SFC55, SFB53	PG
Digital output	yes/no	no	dynamic	Channel	1	yes	yes

3.39.1.1 Structure of data record 1 of SM 327; DI 8/DO 8 x DC 24 V/0.5 A

Structure of data record 1

The figure below shows the structure of data record 1 of the dynamic parameters of SM 327; DI 8/DO 8 x DC 24 V/0.5 A.

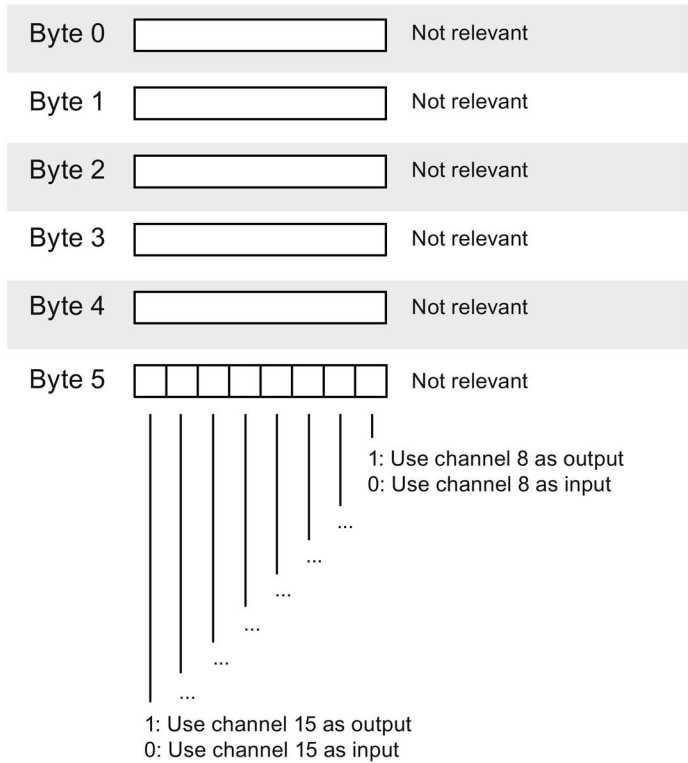


Figure 3-10 Structure of data record 1 of SM 327; DI 8/DO 8 x DC 24 V/0.5 A

Readback of outputs

The readback function is a simple form of diagnostics. You can use this to determine whether the information output to the process ("1" or "0") actually arrives there.

The digital outputs can be read back to the user data area: When Q11.3 is configured as an output, for example, it can be read back at I11.3. See the figure below

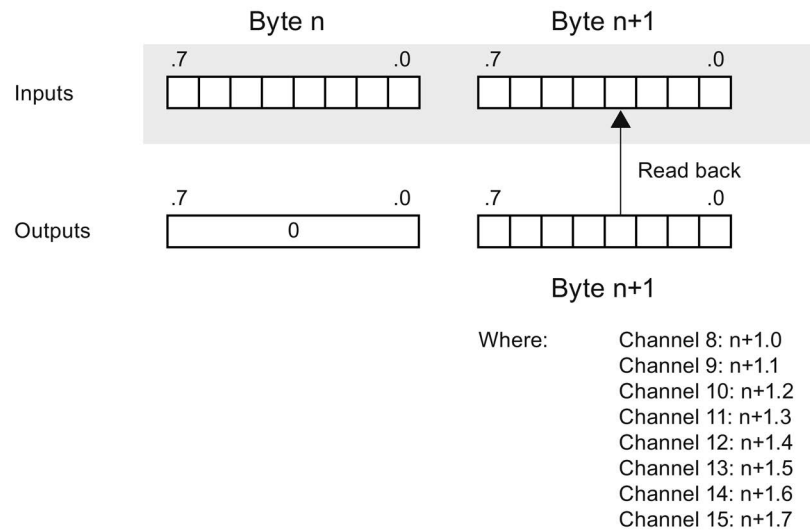


Figure 3-11 Readback of the outputs of SM 327; DI 8/DO 8 x DC 24 V/0.5 A

Principles of analog value processing

4.1 Overview

Introduction

This chapter describes the basic procedure in wiring and connecting signal sensors to analog inputs and analog outputs and corresponding items to observe.

The diagrams below do not show the connecting lines required to connect the electrical potentials of the analog input module and sensors.

Always adhere to the general information on sensor wiring and connecting.

Special wiring and connecting options are described in the corresponding module data.

Installation and wiring

For information on installation and wiring, refer to the S7-300, CPU 31xC, and CPU 31x Operating Instructions: Installation The operating instructions are available on the Internet (<http://support.automation.siemens.com/WW/view/en/13008499>).

4.2 Wiring and connecting transducers to analog inputs

Transducers which can be wired and connected to analog inputs

You can wire and connect the following transducers to the analog input modules, depending on the type of measurement:

- Voltage transducers
- Current transducers
 - As 2-wire transducer
 - As 4-wire transducer
- Resistors
- Thermocouples

Cables for analog signals

Always use shielded twisted-pair cables to wire analog signals. This reduces interference. Connect both ends of the analog cable shield to ground.

Any potential difference between the cable ends may cause an equipotential current on the shield and disturbance on analog signals. Avoid this effect by means of low-impedance equipotential bonding. Ground only one end of the shielding.

Electrically isolated analog input modules

Electrically isolated analog input modules are not electrically interconnected at the reference point of the measuring circuit (M_{ANA} and/or M) and the M terminal of the CPU/IM153.

Always use electrically isolated analog input modules if there is any risk of potential difference V_{ISO} developing between the reference point of measuring circuit (M_{ANA} and/or M -) and the M terminal of the CPU/IM153 .

You can prevent the potential difference V_{ISO} from exceeding limits by means of equipotential interconnection of terminals M_{ANA} and M of the CPU/IM153.

Non-isolated analog input modules

Non-isolated analog input modules require a low-impedance connection between the reference point of measuring circuit M_{ANA} and the M terminal of the CPU or interface module IM 153. Interconnect terminals M_{ANA} with M of the CPU or interface module IM 153. Any potential difference between M_{ANA} and M of the CPU or interface module IM 153 may corrupt the analog signal.

Limited potential difference CMV

The permissible potential difference U_{CM} (CMV/Common Mode) may not be exceeded. A CMV fault may develop between

- the measurement inputs ($M+$ / $M-$) and the reference potential of measuring circuit M_{ANA}
- between the measuring inputs.

The following diagrams show the measures to be taken when wiring transducers.

4.2.1 Wiring and connecting electrically isolated transducers

Electrically isolated transducers

Electrically isolated transducers are not connected to local ground potential. They can be operated in electrically isolated mode.

Potential differences may develop between electrically isolated sensors. These potential differences may be caused by interference, or may develop as a result of the local distribution of transducers.

In environments with a high level of EMC interference, it is advisable to interconnect M- with M_{ANA} in order to prevent the permissible CMV value from being exceeded.

Note

For modules where $V_{CM} \leq 2.5\text{ V}$, interconnect M- and M_{ANA} (see the diagrams below).

Wiring and connecting electrically isolated transducers to an electrically isolated AI

The CPU / IM 153 can be operated in grounded mode or ungrounded mode.

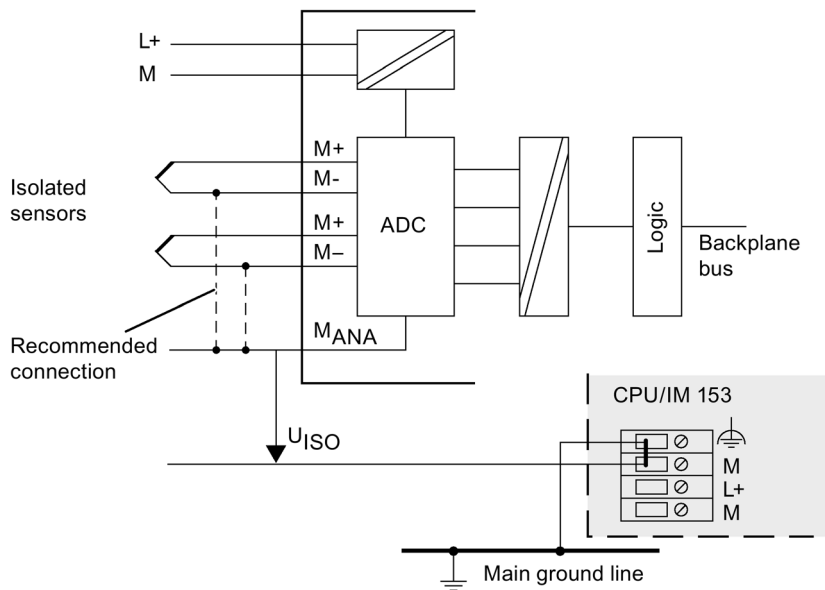


Figure 4-1 Wiring and connecting electrically isolated transducers to electrically isolated AI

Wiring and connecting electrically isolated transducers to a non-isolated AI

The CPU / IM 153 can be operated in grounded mode or ungrounded mode.

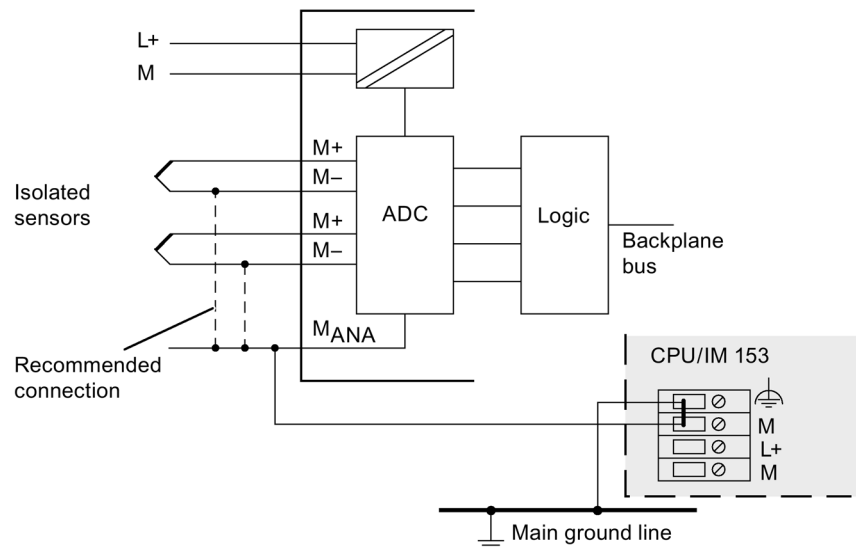


Figure 4-2 Wiring and connecting electrically isolated transducers to a non-isolated AI

Note

Do not interconnect M- with M_{ANA} when wiring and connecting 2-wire transducers and resistance transducers. An equalization current develops at the interconnection of M- with M_{ANA} and corrupts the measured value. This also applies to unused inputs which are programmed accordingly.

4.2.2 Wiring non-isolated transducers

Non-isolated transducer

Non-isolated transducers are interconnected with local ground potential. Always interconnect M_{ANA} with local ground when using non-isolated transducers.

Local conditions or interference may cause potential differences CMV (static or dynamic) between locally distributed measuring points. If the maximum CMV value is exceeded, interconnect the measuring points by means of equipotential conductors.

Wiring non-isolated transducer to electrically isolated AI

When connecting non-isolated transducers to electrically isolated modules, the CPU / IM 153 can be operated in grounded or ungrounded mode.

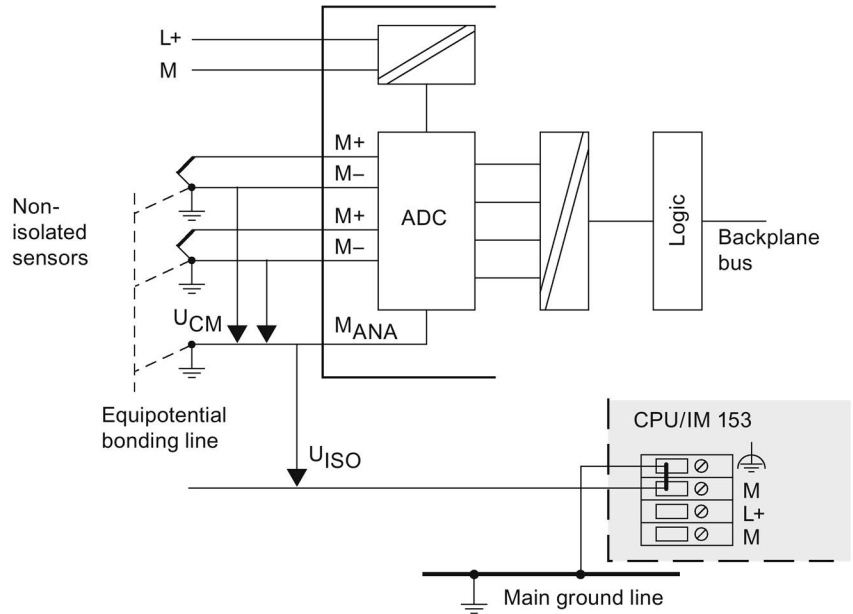


Figure 4-3 Wiring non-isolated transducer to electrically isolated AI

Wiring non-isolated transducer to a non-isolated AI

Always operate the CPU / IM 153 in grounded mode if you connect non-isolated transducers to non-isolated modules.

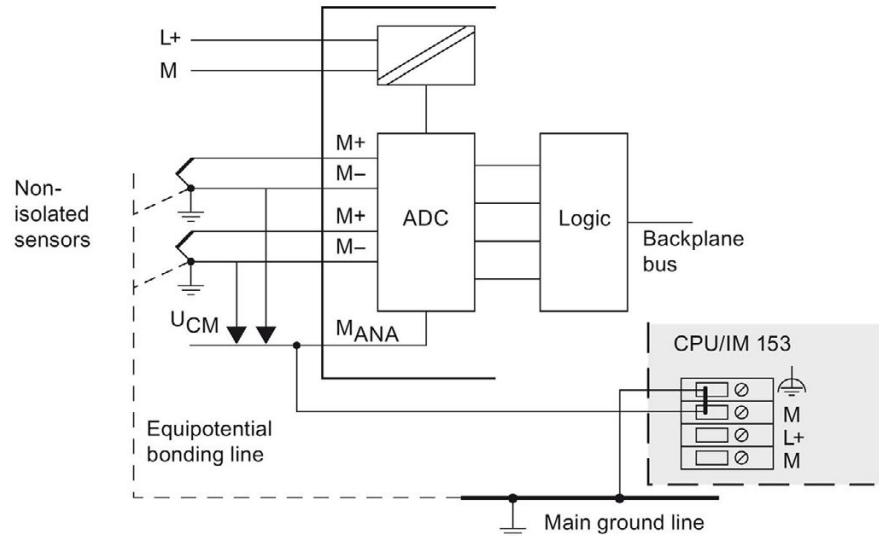


Figure 4-4 Wiring non-isolated transducers to a non-isolated AI

Note

You may not connect non-isolated 2-wire transducers/resistive transducers to non-isolated analog inputs!

4.3 Wiring and connecting voltage transducers

Introduction

This chapter describes how to wire and connect voltage transducers and the corresponding items to be observed.

Wiring and connecting voltage transducers

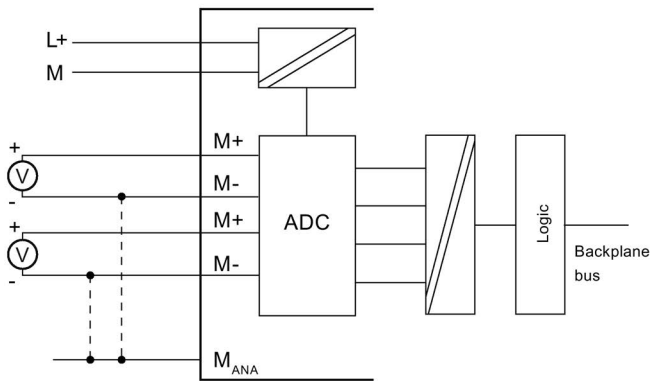


Figure 4-5 Wiring and connecting voltage transducers to electrically isolated AI

4.4 Wiring and connecting current transducers

Introduction

This chapter describes the wiring and connecting of current transducers and rules to be observed.

Supported current transducers

- As 2-wire transducer
- As 4-wire transducer

Wiring and connecting 2-wire transducers with power supply from the module

The 2-wire transducer is wired to the short circuit-proof supply voltage at the terminals of the analog input module.

The 2-wire transducer converts the process variable into a current. 2-wire transducers must be electrically isolated.

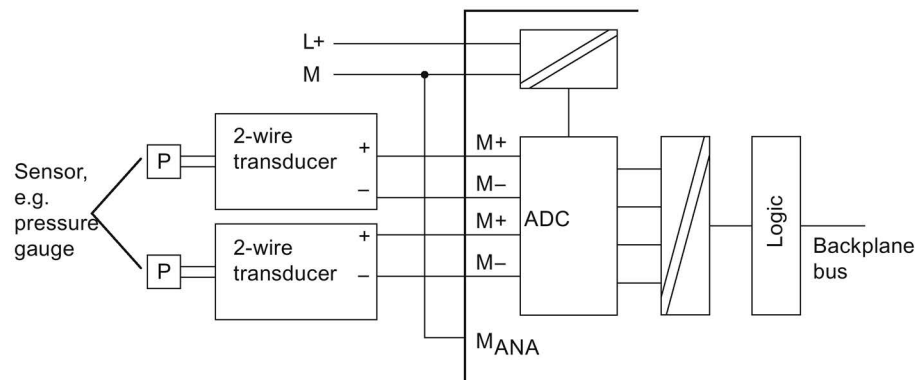


Figure 4-6 Wiring and connecting 2-wire transducers to electrically isolated AI

Wiring and connecting 2-wire transducers with power supply from L+

Configure the 2-wire as a 4-wire transducer in *STEP 7* if it is connected to supply voltage L+.

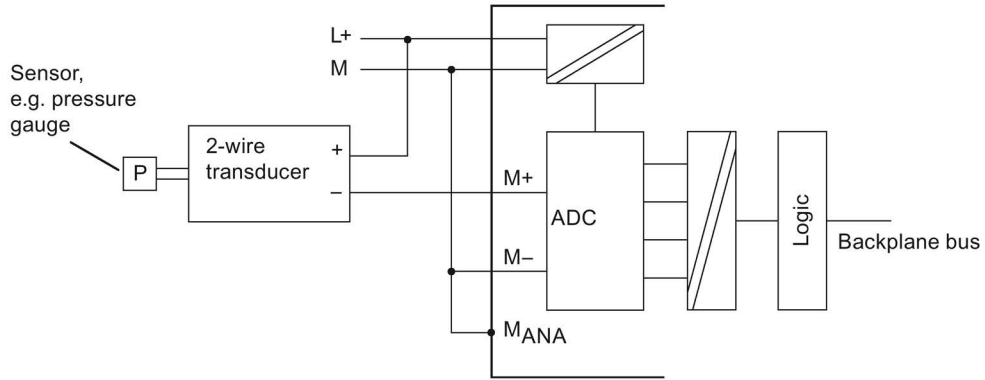


Figure 4-7 Wiring and connecting a 2-wire transducer with supply from L+ to an electrically isolated AI

Wiring and connecting 4-wire transducers

4-wire transducers are connected to a separately power supply.

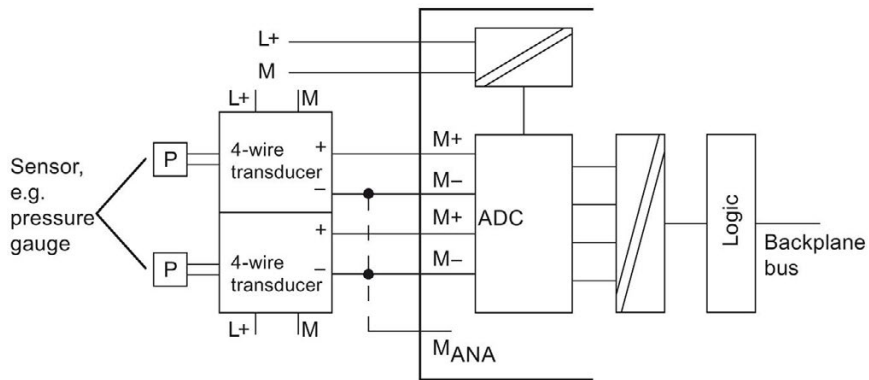


Figure 4-8 Wiring and connecting 4-wire transducers to electrically isolated AI

4.5 Wiring and connecting resistance thermometers and resistors

Introduction

This chapter describes the wiring and connecting of resistance thermometers and resistors and rules to be observed.

Supported resistance transducers

- With 4-wire connection
- With 3-wire connection
- With 2-wire connection

Wiring and connecting resistance thermometers and resistors

The module provides a constant current at terminals I_{C+} and I_{C-} for current measurements. The constant current is fed to the resistance for measuring its voltage potential. The constant current cables must be wired directly to the resistance thermometer/resistor.

Measurements programmed for 4-or 3-wire connections compensate for line resistance and return considerably higher precision compared to 2-wire connections.

Measurements with programmed 2-wire connections also record line impedance in addition to their internal resistance.

4-wire connection of a resistance thermometer

The voltage generated at the resistance thermometer is measured across the $M+$ and $M-$ terminals. Observe the correct polarity when wiring and connecting the devices (I_{C+} and $M+$, and I_{C-} and $M-$ at the resistance thermometer).

Always wire and connect the I_{C+} , $M+$, I_{C-} and $M-$ lines directly to the resistance thermometer.

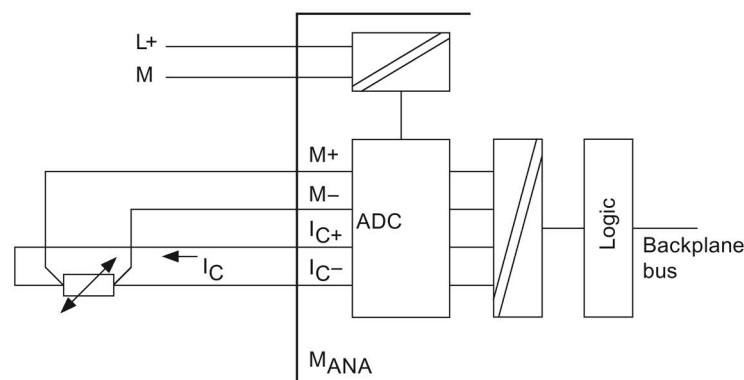


Figure 4-9 4-wire connection of resistance thermometers to an electrically isolated analog input

4.6 Wiring and connecting thermocouples

Introduction

This chapter describes the wiring and connecting of thermocouples and corresponding rules to be observed.

Supported thermocouples (depending on module)

- B; C; E; J; K; L; N; R; S; T; U;
- TXK / XKL GOST

Thermocouple selection

The figure below shows several thermocouples and their temperature ranges.

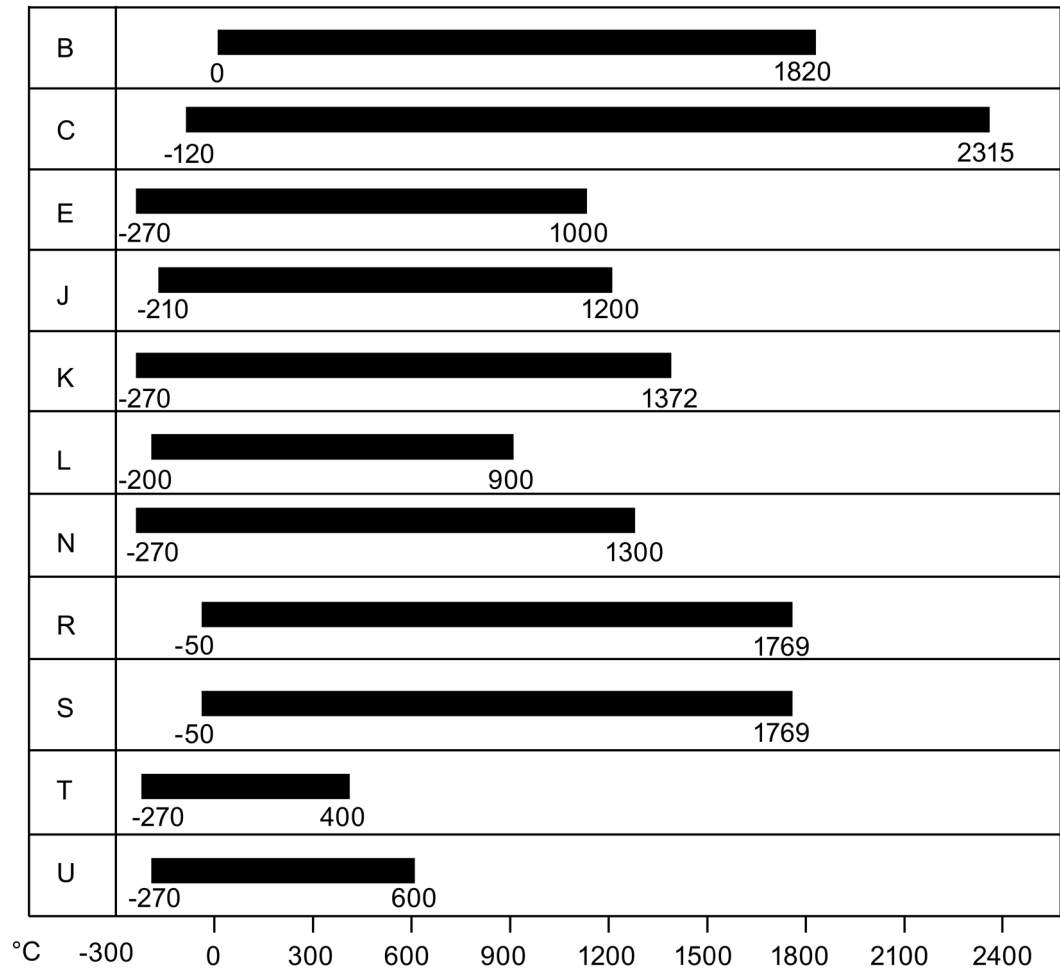
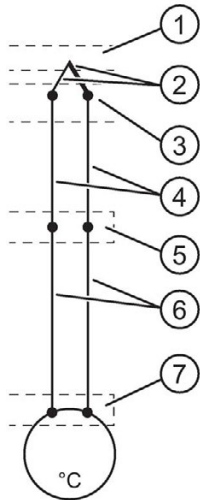


Figure 4-12 Thermocouples and their ranges

Thermocouple structure

Thermocouples consist of a pair of thermal probes and all necessary installation and connecting parts. The thermocouple pair consists of two wires made of different metals, or of metal alloys soldered or welded together at their ends.

The different thermocouple types, for example, K, J or N, are derived from different material compositions. The measuring principle of all thermocouples is the same, irrespective of their type.



- ① Measurement point
- ② Thermocouple with positive and negative thermal elements
- ③ Terminal
- ④ Compensating line
- ⑤ Reference junction
- ⑥ Supply line
- ⑦ Thermal voltage acquisition point

Figure 4-13 Fig. 4-22 Structure of thermocouples

Operating principle of thermocouples

Any temperature difference between the measuring point and the free ends of the thermocouple (point of connection) generates a thermoelectric voltage. The thermoelectric voltage is a function of the temperature difference between the measuring point and the free ends, and is also determined by the material composition of the thermal elements.

As thermocouples always sense temperature differences, it is essential to maintain the free ends at the known temperature of a reference junction in order to be able to determine the temperature at the measuring point.

The thermocouples can be extended from their point of connection to the reference junction by means of compensating lines. These compensating lines are made of the same materials as the thermocouple wires. The supply lines from the reference junction to the module are made of copper.

Note

Make sure of the correct polarity in order to avoid serious measuring errors.

Compensation for the reference junction temperature

You can compensate for the influence of temperature fluctuation at the reference junction by means of a compensating circuit.

You have several options of measuring the reference junction temperature in order to obtain an absolute temperature value as a function of the temperature difference between the reference junction and the measuring point.

You can use either an internal or an external compensating circuit, depending on the required location of the reference junction.

Options of compensating for the reference junction temperature

Table 4- 1 Options of compensating for the reference junction temperature

Option	Explanations
No compensation	To record only the temperature difference between the measuring point and reference junction.
Internal compensation (for wiring and connecting, see <i>Connecting thermocouples with internal compensation box to electrically isolated analog inputs</i>)	The internal compensation is based on a comparison using the internal temperature (thermocouple internal comparison) of the module.
External compensation with compensation box in the feed lines of each thermocouple (the wiring and connecting is shown in the diagram <i>Wiring and connecting of thermocouples with compensation box to electrically isolated analog inputs</i> and <i>Wiring and connecting of thermocouples with reference junction (order no. M72166-xxx00) to electrically isolated analog inputs</i>)	You have already measured and compensated for the reference junction temperature (thermocouple external comparison) using an interconnected compensating box in the feed lines of each thermocouple. Further signal processing is not required at the module.
Only for SM 331; AI 8 x TC: External compensation with resistance thermometer for recording the reference junction temperature	You can measure the reference temperature using a (platinum or nickel) resistance thermometer, and compute it in the module for any thermocouple.

See also

Wiring and connecting thermocouples with internal compensation (Page 253)

Wiring and connecting thermocouples with external compensation (Page 254)

Wiring and connecting transducers to analog inputs (Page 239)

4.6.1 Wiring and connecting thermocouples with internal compensation

Function principle of internal compensation

Internal compensation allows you to form the reference point at the terminals of the analog input module. In this case, route the compensating lines directly to the analog module. The internal temperature sensor measures the module's temperature and returns a compensation voltage.

Note that internal compensation is not as accurate as external compensation.

Wiring and connecting thermocouples with internal compensation

Wire the thermocouples either directly to the inputs of the module, or indirectly via compensating lines. Each channel group can use any type of thermocouple supported by the analog module, independently of other channel groups.

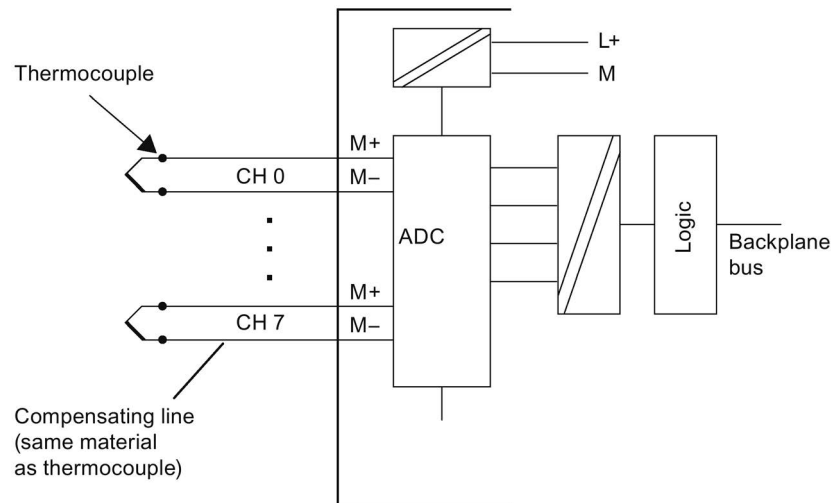


Figure 4-14 Wiring and connecting thermocouples with internal compensation to electrically isolated analog inputs

4.6.2 Wiring and connecting thermocouples with external compensation

Function principle of external compensation with compensating box

With external compensation, the temperature at the reference junction of the thermocouples is evaluated using a compensating box.

The compensating box contains a bridge circuit which is calibrated to a defined reference junction temperature /calibrating temperature.) The reference junction is formed by the connecting ends of the thermocouple's equalizing conductor.

The resistance of the temperature-sensitive bridge changes as a function of the difference between the actual reference temperature and calibrating temperature. This difference induces a positive or negative compensating voltage, which is added to the thermoelectrical voltage.

Wiring and connecting the compensating box

Terminate the compensating box at the COMP terminals of the module; the compensating box must be installed at the reference junction of the thermocouples. The compensating box be supplied with an electrically isolated voltage. The power supply module must provide adequate noise filtering, for example, by means of grounded cable shielding.

The terminals for the connection of the thermocouple on the compensating box are not required and must therefore be jumpered (for example, see figure *Connection of thermocouples to reference junction*)

Restrictions:

- The channel group parameters always apply to the all its channels (for example, input voltage, integrating time etc.)
- External compensation with connection of the compensating box to the COMP connections of the module can only be made for one thermocouple type. That is, all channels that work with external compensation must use the same type.

Wiring and connecting thermocouples via compensating box

If all thermocouples connected to the module's inputs share a common reference junction, compensate the circuit as follows:

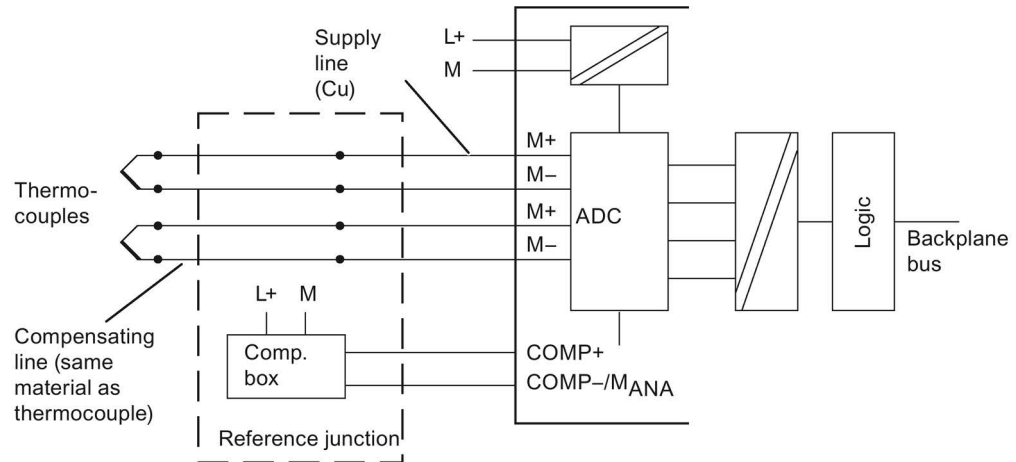


Figure 4-15 Wiring and connecting thermocouples to electrically isolated analog inputs via compensation box

Note

To compensate the analog input modules, always use compensation boxes with a **reference junction temperature of 0 °C**.

Recommended compensating box

Use a compensating box with a reference junction. You must order compensating box from external companies. Contact your Siemens representative or Industry Online Support on the Internet (<https://support.industry.siemens.com/cs/ww/en/>).

Connection of the reference junction

If all thermocouples connected to the module's inputs share a common reference junction, compensate the circuit as follows:

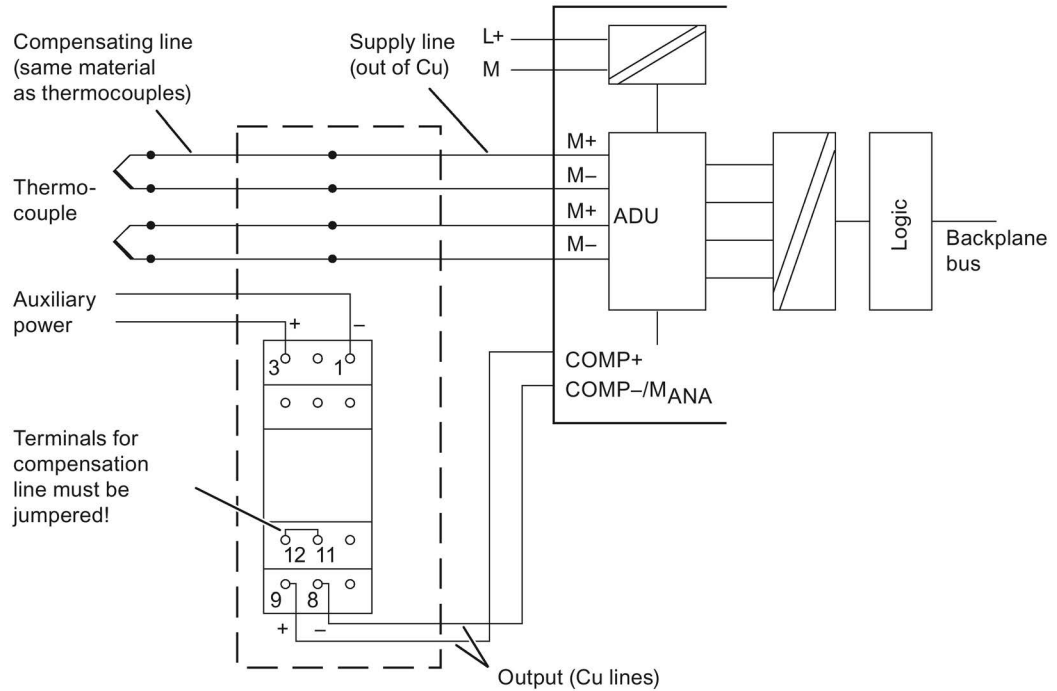


Figure 4-16 Connection of thermocouples to reference junction

Additional information

You can find additional information on the compensating box and connection to an analog module on the Internet. (<https://support.industry.siemens.com/cs/ww/en/view/18272332>)

4.7 Wiring and connecting loads/actuators to analog outputs

Wiring and connecting loads/actuators to analog outputs

The analog output modules can be used as current or voltage source for loads and actuators.

Cables for analog signals

Always use shielded twisted-pair cables to wire analog signals. Form two twisted pairs of the Q_V and S_+ , and M and S_- signals in order to reduce interference. Connect both ends of the analog cable shield to ground.

Any potential difference between the cable ends may cause an equipotential current on the shield and disturbance on analog signals. Avoid this situation by grounding only one end of the shielding.

Electrically isolated analog output modules

Electrically isolated analog output modules do not have a galvanic interconnection between the reference point of measuring circuit M_{ANA} and the CPU's M terminal.

Always use electrically isolated analog input modules if there is any risk of potential difference V_{iso} developing between the reference point of measuring circuit M_{ANA} and the M terminal of the CPU. Use an equipotential bonding conductor to interconnect the M_{ANA} terminal and the M terminal of the CPU, in order to prevent V_{iso} from exceeding the permitted value.

Non-isolated analog output modules

When using on-isolated analog output modules, always interconnect the reference point M_{ANA} of the of measuring circuit with terminal M of the CPU. Wire the M_{ANA} terminal to the M terminal of the CPU. Any potential difference between M_{ANA} and the M terminal of the CPU could otherwise corrupt the analog signal.

4.7.1 Wiring and connecting loads/actuators to voltage outputs

Wiring and connecting loads to a voltage output

The voltage output support the wiring and connecting of 2-wire and 4-wire loads. Certain analog output modules, however, do not support both types of wiring and connecting.

Wiring 4-wire loads to the voltage output of an electrically isolated module

The 4-wire load circuit returns high precision. Wiring and connecting the S- and S+ sense lines directly to the load. This allows direct measurement and correction of the load voltage.

Interference or voltage dips may lead to potential differences between the sense line S- and the reference loop of analog circuit M_{ANA} . This potential difference may not exceed set limits. Any potential difference above limits has a negative impact on analog signal precision.

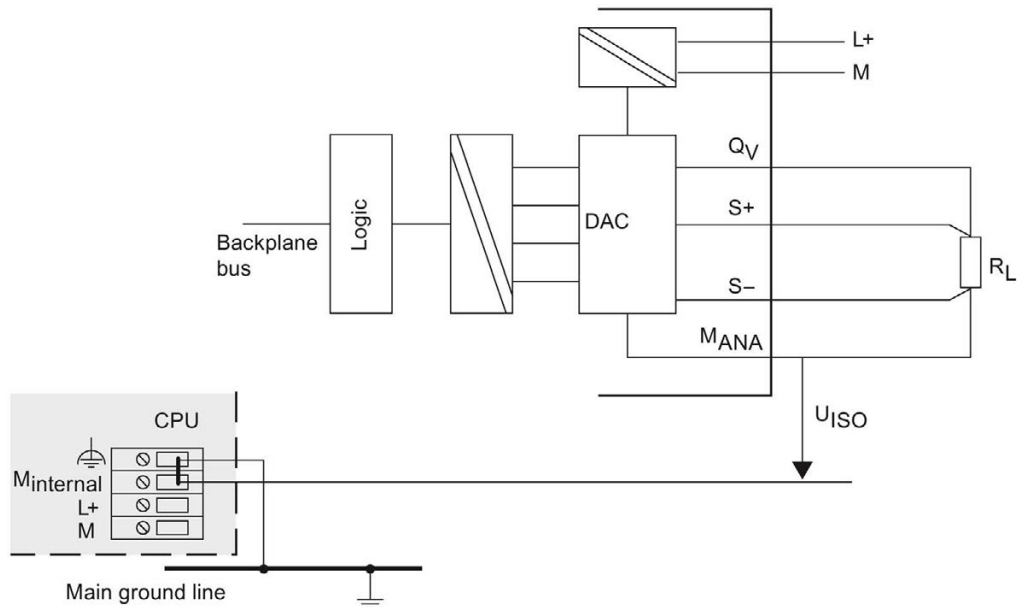


Figure 4-17 4-wire connection of loads to the voltage output of an electrically isolated analog output module

Wiring 2-wire loads to the voltage output of non-isolated module

Wire the loads to the Q_V terminals and to the reference point of measuring circuit M_{ANA} . Interconnect terminal $S+$ to Q_V with terminal S to M_{ANA} in the front connector.

A 2-wire circuit does not provide for compensation of line impedance.

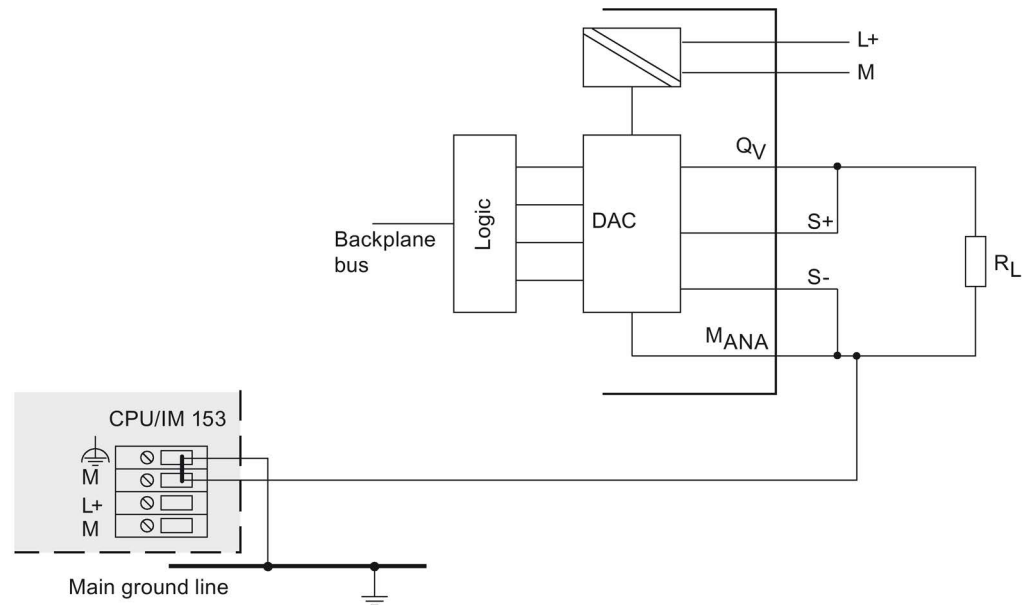


Figure 4-18 2-wire connection of loads to the voltage output of a non-isolated analog module

See also

Wiring and connecting loads/actuators to analog outputs (Page 257)

4.7.2 Wiring and connecting loads/actuators to current outputs

Wiring and connecting loads to a current output

Wire and connect the loads to Q_I and to the reference point of analog circuit M_{ANA} of a current output.

Wiring and connecting loads to a current output of an electrically isolated module

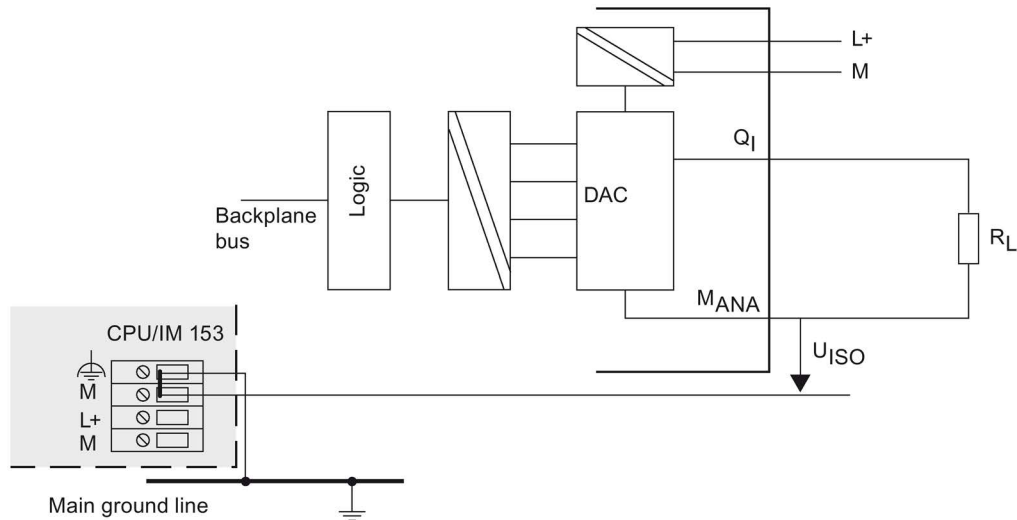


Figure 4-19 Wiring and connecting loads to a current output of an electrically isolated analog output module

Wiring and connecting loads to a current output of a non-isolated analog output module

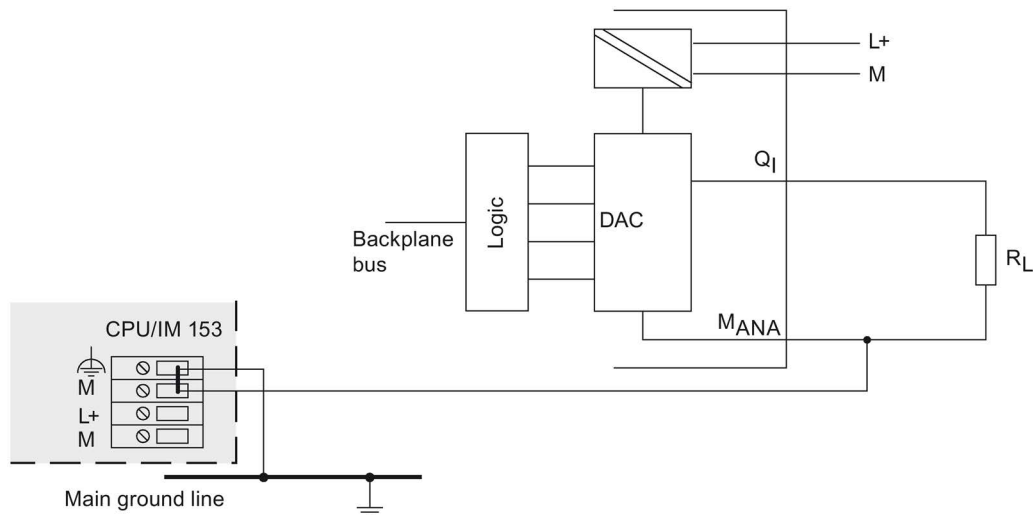


Figure 4-20 Wiring and connecting loads to a current output of a non-isolated analog output module

See also

Wiring and connecting loads/actuators to analog outputs (Page 257)

Principles of analog modules

Introduction

This chapter describes the analog values for all measuring or output ranges supported by the analog modules.

Analog value conversion

The CPU always processes the analog values in binary format.

Analog input modules convert the analog process signal to a digital format.

Analog output modules convert digital output values to analog signals.

Representation of analog values at a resolution of 16 bits

The digitized analog value applies to input and output values of the same rated range. Analog values are output as fixed point numbers with two's complement. The resultant assignment:

Bit	15	14	13	12	11	10	9	8	7	6	5	4	3	2	1	0
Bit values	2^{15}	2^{14}	2^{13}	2^{12}	2^{11}	2^{10}	2^9	2^8	2^7	2^6	2^5	2^4	2^3	2^2	2^1	2^0

Sign

The sign of the analog value is always set at bit 15:

- "0" → +
- "1" → -

Resolution < 16 bits

On analog modules with a resolution of < 16 bits, the analog value is stored left-aligned. The unused least significant bit positions are padded with zeros ("0".)

Example

The example below demonstrates the zero padding of unused bit positions for low resolution values.

Table 5- 1 Example: Bit pattern of a 16-bit and 13-bit analog value

Resolution	Analog value															
Bit	15	14	13	12	11	10	9	8	7	6	5	4	3	2	1	0
16-bit analog value	0	1	0	0	0	1	1	0	0	1	1	1	0	0	1	1
13-bit analog value	0	1	0	0	0	1	1	0	0	1	1	1	0	0	0	0

5.1 Representation of the values for analog input channels

Measured value resolution

The resolution of the analog values may differ, based on the analog module and module parameters. At resolutions < 15 bits, all bits identified by "x" are set to "0".

Note

This resolution does not apply to temperature values. Converted temperature values are the result of a conversion in the analog module.

Table 5- 2 Supported analog value resolutions

Resolution in bits (+ sign)	Units		Analog value	
	dec	hex	high byte	low byte
8	128	80H	Sign 0 0 0 0 0 0 0	1 x x x x x x x
9	64	40H	Sign 0 0 0 0 0 0 0	0 1 x x x x x x
10	32	20H	Sign 0 0 0 0 0 0 0	0 0 1 x x x x x
11	16	10H	Sign 0 0 0 0 0 0 0	0 0 0 1 x x x x
12	8	8H	Sign 0 0 0 0 0 0 0	0 0 0 0 1 x x x
13	4	4H	Sign 0 0 0 0 0 0 0	0 0 0 0 0 1 x x
14	2	2H	Sign 0 0 0 0 0 0 0	0 0 0 0 0 0 1 x
15	1	1H	Sign 0 0 0 0 0 0 0	0 0 0 0 0 0 0 1

Binary representation of input ranges

Table 5- 3 Bipolar input ranges

Units	Measured value in %	Data word																Range
		2 ¹⁵	2 ¹⁴	2 ¹³	2 ¹²	2 ¹¹	2 ¹⁰	2 ⁹	2 ⁸	2 ⁷	2 ⁶	2 ⁵	2 ⁴	2 ³	2 ²	2 ¹	2 ⁰	
32767	>118.515	0	1	1	1	1	1	1	1	1	1	1	1	1	1	1	1	Overflow
32511	117.589	0	1	1	1	1	1	1	0	1	1	1	1	1	1	1	1	Overshoot range
27649	>100.004	0	1	1	0	1	1	0	0	0	0	0	0	0	0	0	1	
27648	100.000	0	1	1	0	1	1	0	0	0	0	0	0	0	0	0	0	Rated range
1	0.003617	0	0	0	0	0	0	0	0	0	0	0	0	0	0	0	1	
0	0.000	0	0	0	0	0	0	0	0	0	0	0	0	0	0	0	0	
-1	-0.003617	1	1	1	1	1	1	1	1	1	1	1	1	1	1	1	1	
-27648	-100.000	1	0	0	1	0	1	0	0	0	0	0	0	0	0	0	0	Undershoot range
-27649	≤-100.004	1	0	0	1	0	0	1	1	1	1	1	1	1	1	1	1	
-32512	-117.593	1	0	0	0	0	0	0	1	0	0	0	0	0	0	0	0	Underflow
-32768	≤-117.596	1	0	0	0	0	0	0	0	0	0	0	0	0	0	0	0	

Table 5- 4 Unipolar input ranges

Units	Measured value in %	Data word																Range
		2 ¹⁵	2 ¹⁴	2 ¹³	2 ¹²	2 ¹¹	2 ¹⁰	2 ⁹	2 ⁸	2 ⁷	2 ⁶	2 ⁵	2 ⁴	2 ³	2 ²	2 ¹	2 ⁰	
32767	≥118.515	0	1	1	1	1	1	1	1	1	1	1	1	1	1	1	1	Overflow
32511	117.589	0	1	1	1	1	1	1	1	0	1	1	1	1	1	1	1	Overshoot range
27649	≥100.004	0	1	1	0	1	1	0	0	0	0	0	0	0	0	0	1	
27648	100.000	0	1	1	0	1	1	0	0	0	0	0	0	0	0	0	0	range
1	0.003617	0	0	0	0	0	0	0	0	0	0	0	0	0	0	0	1	Rated range
0	0.000	0	0	0	0	0	0	0	0	0	0	0	0	0	0	0	0	
-1	-0.003617	1	1	1	1	1	1	1	1	1	1	1	1	1	1	1	1	Undershoot range
-4864	-17.593	1	1	1	0	1	1	0	1	0	0	0	0	0	0	0	0	
-32768	≤-17.596	1	0	0	0	0	0	0	0	0	0	0	0	0	0	0	0	Underflow

Representation of analog values in voltage measuring ranges

Table 5- 5 Representation of analog values in the ±1 V to ±10 V voltage measuring range

System		Voltage measuring range				
dec	hex	±10 V	±5 V	±2.5 V	±1 V	
32767	7FFF	11.851 V	5.926 V	2.963 V	1.185 V	Overflow
32512	7F00					
32511	7EFF	11.759 V	5.879 V	2.940 V	1.176 V	Overshoot range
27649	6C01					
27648	6C00	10 V	5 V	2.5 V	1 V	Rated range
20736	5100	7.5 V	3.75 V	1.875 V	0.75 V	
1	1	361.7 μV	180.8 μV	90.4 μV	36.17 μV	
0	0	0 V	0 V	0 V	0 V	
-1	FFFF					
-20736	AF00	-7.5 V	-3.75 V	-1.875 V	-0.75 V	
-27648	9400	-10 V	-5 V	-2.5 V	-1 V	Undershoot range
-27649	93FF					
-32512	8100	-11.759 V	-5.879 V	-2.940 V	-1.176 V	Underflow
-32513	80FF					
-32768	8000	-11.851 V	-5.926 V	-2.963 V	-1.185 V	

5.1 Representation of the values for analog input channels

Table 5- 6 Representation of analog values in the ±80 mV to ±500 mV voltage measuring ranges

System		Voltage measuring range				
dec	hex	±500 mV	±250 mV	±80 mV		
32767	7FFF	592.6 mV	296.3 mV	94.8 mV		Overflow
32512	7F00					
32511	7EFF	587.9 mV	294.0 mV	94.1 mV		Overshoot range
27649	6C01					
27648	6C00	500 mV	250 mV	80 mV		Rated range
20736	5100	375 mV	187.5 mV	60 mV		
1	1	18.08 µV	9.04 µV	2.89 µV		
0	0	0 mV	0 mV	0 mV		
-1	FFFF					
-20736	AF00	-375 mV	-187.5 mV	-60 mV		
-27648	9400	-500 mV	-250 mV	-80 mV		
-27649	93FF					Undershoot range
-32512	8100	-587.9 mV	-294.0 mV	-94.1 mV		Underflow
-32513	80FF					
-32768	8000	-592.6 mV	-296.3 mV	-94.8 mV		

Table 5- 7 Representation of analog values in the 1 V to 5 V and 0 V to 10 V voltage measuring ranges

System		Voltage measuring range			
dec	hex	1 V to 5 V	0 V to 10 V		
32767	7FFF	5.741 V	11.852 V		Overflow
32512	7F00				
32511	7EFF	5.704 V	11.759 V		Overshoot range
27649	6C01				
27648	6C00	5 V	10 V		Rated range
20736	5100	4 V	7.5 V		
1	1	1 V + 144.7 µV	0 V + 361.7 µV		
0	0	1 V	0 V		
-1	FFFF				
-4864	ED00	0.296 V	Negative values are not supported		Undershoot range
-4865	ECFF				
-32768	8000				

Representation of analog values in the current measuring ranges

Table 5- 8 Representation of analog values in the ± 3.2 mA to ± 20 mA current measuring ranges

System		Current measuring range			
dec	hex	± 20 mA	± 10 mA	± 3.2 mA	
32767	7FFF	23.70 mA	11.85 mA	3.79 mA	Overflow
32512	7F00				
32511	7EFF	23.52 mA	11.76 mA	3.76 mA	Overshoot range
27649	6C01				
27648	6C00	20 mA	10 mA	3.2 mA	Rated range
20736	5100	15 mA	7.5 mA	2.4 mA	
1	1	723.4 nA	361.7 nA	115.7 nA	
0	0	0 mA	0 mA	0 mA	
-1	FFFF				
-20736	AF00	-15 mA	-7.5 mA	-2.4 mA	
-27648	9400	-20 mA	-10 mA	-3.2 mA	
-27649	93FF				Undershoot range
-32512	8100	-23.52 mA	-11.76 mA	-3.76 mA	Underflow
-32513	80FF				
-32768	8000	-23.70 mA	-11.85 mA	-3.79 mA	

Table 5- 9 Representation of analog values in the 0 mA to 20 mA and 4 mA to 20 mA current measuring ranges

System		Current measuring range		
dec	hex	0 mA to 20 mA	4 mA to 20 mA	
32767	7FFF	23.70 mA	22.96 mA	Overflow
32512	7F00			
32511	7EFF	23.52 mA	22.81 mA	Overshoot range
27649	6C01			
27648	6C00	20 mA	20 mA	Rated range
20736	5100	15 mA	16 mA	
1	1	723.4 nA	4 mA + 578.7 nA	
0	0	0 mA	4 mA	
-1	FFFF			
-4864	ED00	-3.52 mA	1.185 mA	Undershoot range
-4865	ECFF			
-32768	8000			Underflow

Representation of the analog values of resistive transducers

Table 5- 10 Representation of the analog values of 6 kΩ; 10 kΩ and from 150 Ω to 600 Ω resistive transducers

System		Resistive transducer range					
dec	hex	6kΩ	10 kΩ	150 Ω	300 Ω	600 Ω	
32767	7FFF	7.111 kΩ	11.852 kΩ	177.77 Ω	355.54 Ω	711.09 Ω	Overflow
32512	7F00			176.39 Ω	352.78 Ω	705.55 Ω	
32511	7EFF	7.055 kΩ	11.759 kΩ	176.38 Ω	352.77 Ω	705.53 Ω	Overshoot range
27649	6C01						
27648	6C00	6.0 kΩ	10 kΩ	150 Ω	300 Ω	600 Ω	Rated range
20736	5100	4.5 kΩ	7.5 kΩ	112.5 Ω	225 Ω	450 Ω	
1	1	217.0 mΩ	361.7 mΩ	5.43 mΩ	10.85 mΩ	21.70 mΩ	
0	0	0 Ω	0 Ω	0 Ω	0 Ω	0 Ω	
		(negative values are physically impossible)					Undershoot range

Representation of analog values for resistance thermometers Pt x00 and Pt x00 GOST (0.003850) standard

Table 5- 11 Representation of analog values for resistance thermometers PT 100, 200, 500,1000 and PT 10, 50,100, 500 GOST (0.003850) standard

Pt x00 Standard / GOST in °C (1 digit = 0.1°C)	Units		Pt x00 Standard/ GOST in °F (1 digit = 0.1 °F)	Units		Pt x00 Standard/ GOST in K (1 digit = 0.1 K)	Units		Range
	dec	hex		dec	hex		dec	hex	
> 1000.0	32767	7FFF _H	> 1832.0	32767	7FFF _H	> 1273.2	32767	7FFF _H	Overflow
1000.0	10000	2710 _H	1832.0	18320	4790 _H	1273.2	12732	31BC _H	Overshoot range
:	:	:	:	:	:	:	:	:	
850.1	8501	2135 _H	1562.1	15621	3D05 _H	1123.3	11233	2BE1 _H	Rated range
850.0	8500	2134 _H	1562.0	15620	3D04 _H	1123.2	11232	2BE0 _H	
:	:	:	:	:	:	:	:	:	
-200.0	-2000	F830 _H	-328.0	-3280	F330 _H	73.2	732	2DC _H	
-200.1	-2001	F82F _H	-328.1	-3281	F32F _H	73.1	731	2DB _H	Undershoot range
:	:	:	:	:	:	:	:	:	
-243.0	-2430	F682 _H	-405.4	-4054	F02A _H	30.2	302	12E _H	Underflow
< - 243.0	-32768	8000 _H	< - 405.4	-32768	8000 _H	< 30.2	32768	8000 _H	

Representation of the analog values of Pt x00 GOST (0.003910) standard resistance thermometers

Table 5- 12 Representation of the analog values of Pt 10, 50, 100, 500 GOST (0.003910) standard resistance thermometers

Pt x00 GOST Standard in °C (1 digit = 0.1°C)	Units		Pt x00 GOST Standard in °F (1 digit = 0.1 °F)	Units		Range
	dec	hex		dec	hex	
> 1295.0	32767	7FFF _H	> 2363.0	32767	7FFF _H	Overflow
1295.0	12950	3296 _H	2363.0	23630	5CE4 _H	Overshoot range
:	:	:	:	:	:	
1100.1	11001	2AF9 _H	2012.1	20121	4E99 _H	Rated range
1100.0	11000	2AF8 _H	2012.0	20120	4E98 _H	
:	:	:	:	:	:	Undershoot range
-260.0	-2600	F5D8 _H	-436.0	-4360	EEF8 _H	
-260.1	-2601	F5D7 _H	-436.1	-4361	EEF7 _H	Underflow
:	:	:	:	:	:	
-273.2	-2732	F554 _H	-459.7	-4597	EE0B _H	
< - 273.2	-32768	8000 _H	< - 459.7	-32768	8000 _H	

Representation of analog values for Pt x00 and Pt x0 GOST (0.003850 and 0.003910) climatic resistance thermometers

Table 5- 13 Representation of analog values for Pt 100, 200, 500,1000 and Pt 10, 50, 100, 500 GOST (0.003850 and 0.003910) climatic resistance thermometers

Pt x00 climat- ic/GOST in °C (1 digit = 0.01 °C)	Units		Pt x00 climat- ic/GOST in °F (1 digit = 0.01 °F)	Units		Range
	dec	hex		dec	hex	
> 155.00	32767	7FFF _H	> 311.00	32767	7FFF _H	Overflow
155.00	15500	3C8C _H	311.00	31100	797C _H	Overshoot range
:	:	:	:	:	:	
130.01	13001	32C9 _H	266.01	26601	67E9 _H	Rated range
130.00	13000	32C8 _H	266.00	26600	67E8 _H	
:	:	:	:	:	:	Undershoot range
-120.00	-12000	D120 _H	-184.00	-18400	B820 _H	
-120.01	-12001	D11F _H	-184.01	-18401	B81F _H	Underflow
:	:	:	:	:	:	
-145.00	-14500	C75C _H	-229.00	-22900	A68C _H	
< - 145.00	-32768	8000 _H	< - 229.00	-32768	8000 _H	

Representation of the analog values of Ni x00 Standard resistance thermometers

Table 5- 14 Representation of the analog values of Ni100, 120, 200, 500, 1000 and LG-Ni 1000 resistance thermometers

Ni x00 Standard in °C (1 digit = 0.1°C)	Units		Ni x00 Standard in °F (1 digit = 0.1 °F)	Units		Ni x00 standard in K (1 digit = 0.1 K)	Units		Range
	dec	hex		dec	hex		dec	hex	
> 295.0	32767	7FFF _H	> 563.0	32767	7FFF _H	> 568.2	32767	7FFF _H	Overflow
295.0	2950	B86 _H	563.0	5630	15FE _H	568.2	5682	1632 _H	Overshoot range
:	:	:	:	:	:	:	:	:	
250.1	2501	9C5 _H	482.1	4821	12D5 _H	523.3	5233	1471 _H	Rated range
250.0	2500	9C4 _H	482.0	4820	12D4 _H	523.2	5232	1470 _H	
:	:	:	:	:	:	:	:	:	Undershoot range
-60.0	-600	FDA8 _H	-76.0	-760	FD08 _H	213.2	2132	854 _H	
-60.1	-601	FDA7 _H	-76.1	-761	FD07 _H	213.1	2131	853 _H	Underflow
:	:	:	:	:	:	:	:	:	
-105.0	-1050	FBE6 _H	-157.0	-1570	F9DE _H	168.2	1682	692 _H	
< -105.0	-32768	8000 _H	< -157.0	-32768	8000 _H	< 168.2	32768	8000 _H	Underflow

Representation of the analog values of Ni x00 climate resistance thermometers

The following table shows the analog values for the resistance thermometer Nix00 Climatic for all analog input modules.

Exceptions:

- Analog input module AI 8x12-bit; 6ES7331-7KF02-0AB0
- Analog input module AI 2x12-bit; 6ES7331-7KB02-0AB0

There is no overrange for these analog input modules. Overflow begins at 240 °C and is encoded with 7FFF_H.

Table 5- 15 Representation of the analog values of Ni 100, 120, 200, 500, 1000 and LG-Ni 1000 resistance thermometers

Ni x00 climatic in °C (1 digit = 0.01 °C)	Units		Ni x00 climatic in °F (1 digit = 0.01 °F)	Units		Range
	dec	hex		dec	hex	
> 295.00	32767	7FFF _H	> 327.66	32767	7FFF _H	Overflow
295.00	29500	733C _H	327.66	32766	7FFE _H	Overshoot range
:	:	:	:	:	:	
250.01	25001	61A9 _H	280.01	28001	6D61 _H	Rated range
250.00	25000	61A8 _H	280.00	28000	6D60 _H	
:	:	:	:	:	:	
-60.00	-6000	E890 _H	-76.00	-7600	E250 _H	Undershoot range
-60.01	-6001	E88F _H	-76.01	-7601	E24F _H	
:	:	:	:	:	:	
-105.00	-10500	D6FC _H	-157.00	-15700	C2AC _H	Underflow
< - 105.00	-32768	8000 _H	< - 157.00	-32768	8000 _H	

Representation of the analog values of Ni 100 GOST Standard resistance thermometers

Table 5- 16 Representation of the analog values of Ni 100 GOST Standard resistance thermometers

Ni 100 GOST Standard in °C (1 digit = 0.1°C)	Units		Ni 100 GOST Standard in °F (1 digit = 0.1 °F)	Units		Range
	dec	hex		dec	hex	
> 212.4	32767	7FFF _H	> 414.3	32767	7FFF _H	Overflow
212.4	2124	084C _H	414.3	4143	102F _H	Overshoot range
:	:	:	:	:	:	
180.1	1801	0709 _H	356.1	3561	0DE9 _H	Rated range
180.0	1800	0708 _H	356.0	3560	0DE8 _H	
:	:	:	:	:	:	
-60.0	-600	FDA8 _H	-76.0	-760	FD08 _H	Undershoot range
-60.1	-601	FDA7 _H	-76.1	-761	FD07 _H	
:	:	:	:	:	:	
-105.0	-1050	FBE6 _H	-157.0	-1570	F9DE _H	Underflow
< - 105.0	-32768	8000 _H	< - 157.0	-32768	8000 _H	

Representation of the analog values of Ni 100 GOST Klima resistance thermometers

Table 5- 17 Representation of the analog values of Ni 100 GOST Klima resistance thermometers

Ni 100 GOST Klima in °C (1 digit = 0.1°C)	Units		Ni 100 GOST Klima in °F (1 digit = 0.1 °F)	Units		Range
	dec	hex		dec	hex	
> 212.40	32767	7FFF _H	> 327.66	32767	7FFF _H	Overflow
212.40	21240	52F8 _H	327.66	32766	7FFE _H	Overshoot range
:	:	:	:	:	:	
180.01	18001	4651 _H	280.01	28001	6D61 _H	
180.00	18000	4650 _H	280.00	28000	6D60 _H	Rated range
:	:	:	:	:	:	
-60.00	-6000	E890 _H	-76.00	-7600	E250 _H	
-60.01	-6001	E88F _H	-76.01	-7601	E24F _H	Undershoot range
:	:	:	:	:	:	
-105.00	-10500	D6FC _H	-157.00	-15700	C2AC _H	
< - 105.00	-32768	8000 _H	< - 157.00	-32768	8000 _H	Underflow

Representation of the analog values for Cu 10 standard resistance thermometers

Table 5- 18 Representation of the analog values for Cu 10 standard resistance thermometers

Cu 10 standard in °C (1 digit = 0.01 °C)	Units		Cu 10 standard in °F (1 digit = 0.01 °F)	Units		Cu 10 standard in K (1 digit = 0.01 K)	Units		Range
	dec	hex		dec	hex		dec	hex	
> 312.0	32767	7FFF _H	> 593.6	32767	7FFF _H	> 585.2	32767	7FFF _H	Overflow
312.0	3120	C30 _H	593.6	5936	1730 _H	585.2	5852	16DC _H	Overshoot range
:	:	:	:	:	:	:	:	:	
260.1	2601	A29 _H	500.1	5001	12D5 _H	533.3	5333	14D5 _H	
260.0	2600	A28 _H	500.0	5000	1389 _H	533.2	5332	14D4 _H	Rated range
:	:	:	:	:	:	:	:	:	
-200.0	-2000	F830 _H	-328.0	-3280	F330 _H	73.2	732	2DC _H	
-200.1	-2001	F82F _H	-328.1	-3281	F32F _H	73.1	731	2DB _H	Undershoot range
:	:	:	:	:	:	:	:	:	
-240.0	-2400	F6A0 _H	-400.0	-4000	F060 _H	33.2	332	14C _H	
< - 240.0	-32768	8000 _H	< - 400.0	-32768	8000 _H	< 33.2	32768	8000 _H	Underflow

Representation of analog values for Cu 10 climatic and Cu 10, 50, 100 GOST climatic resistance thermometers

Table 5- 19 Representation of analog values for Cu 10 climatic and Cu 10, 50, 100 GOST climatic resistance thermometers

Cu x0 climatic/in °C (1 digit = 0.01 °C)	Units		Cu x0 climatic in °F (1 digit = 0.01 °F)	Units		Range
	dec	hex		dec	hex	
> 180.00	32767	7FFF _H	> 327.66	32767	7FFF _H	Overflow
180.00	18000	4650 _H	327.66	32766	7FFE _H	Overshoot range
:	:	:	:	:	:	
150.01	15001	3A99 _H	280.01	28001	6D61A _H	Rated range
150.00	15000	3A98 _H	280.00	28000	6D60 _H	
:	:	:	:	:	:	Undershoot range
-50.00	-5000	EC78 _H	- 58.00	-5800	E958 _H	
-50.01	-5001	EC77 _H	-58.01	-5801	E957 _H	Undershoot range
:	:	:	:	:	:	
-60.00	-6000	E890 _H	-76.00	-7600	E250 _H	Underflow
< - 60.00	-32768	8000 _H	< - 76.00	-32768	8000 _H	

Representation of analog values for Cu 10, 50, 100, 500 GOST standard (0.00426) resistance thermometers

Table 5- 20 Representation of analog values for Cu 10, 50, 100, 500 GOST standard (0.00426) resistance thermometers

Cu x0 Standard in °C (1 digit = 0.1°C)	Units		Cu x0 standard in °F (1 digit = 0.01 °F)	Units		Range
	dec	hex		dec	hex	
> 240.0	32767	7FFF _H	> 464.0	32767	7FFF _H	Overflow
240.0	2400	0960 _H	464.0	4640	1220 _H	Overshoot range
:	:	:	:	:	:	
200.1	2001	07D1 _H	392.1	3921	0F51 _H	Rated range
200.0	2000	07D0 _H	392.0	3920	0F50 _H	
:	:	:	:	:	:	Undershoot range
-50.0	-500	FE0C _H	-58.0	-580	FD0C _H	
-50.1	-501	FE0B _H	-58.1	-581	FD0B _H	Undershoot range
:	:	:	:	:	:	
-60.0	-600	FDA8 _H	-76.0	-760	FD08 _H	Underflow
< - 60.00	-32768	8000 _H	< - 76.0	-32768	8000 _H	

5.1 Representation of the values for analog input channels

Representation of the analog values for Cu 10, 50, 100, 500 GOST standard (0.00428) resistance thermometers

Table 5- 21 Representation of the analog values for Cu 10, 50, 100, 500 GOST standard (0.00428) resistance thermometers

Cu x0 standard in °C (1 digit = 0.01 °C)	Units		Cu x0 standard in °F (1 digit = 0.01 °F)	Units		Range
	dec	hex		dec	hex	
> 240.0	32767	7FFF _H	> 464.0	32767	7FFF _H	Overflow
240.0	2400	0960 _H	464.0	4640	1220 _H	Overshoot range
:	:	:	:	:	:	
200.1	2001	07D1 _H	392.1	3921	0F51 _H	
200.0	2000	07D0 _H	392.0	3920	0F50 _H	Rated range
:	:	:	:	:	:	
-200.0	-2000	F830 _H	-328.0	-3280	F330 _H	
-200.1	-2001	F82F _H	-328.1	-3281	F32F _H	Undershoot range
:	:	:	:	:	:	
-240.0	-2400	F6A0 _H	-405.4	-4054	F02A _H	
< - 240.0	-32768	8000 _H	< - 405.4	-32768	8000 _H	Underflow

Representation of analog values for KTY83/110 silicon temperature sensors

Table 5- 22 Representation of analog values for KTY83/110 silicon temperature sensors

KTY83/110 in °C (1 digit = 0.1 °C)	Units		KTY83/110 in °F (1 digit = 0.1 °F)	Units		KTY83/110 in °K (1 digit = 0.1 °K)	Units		Range
	dec	hex		dec	hex		dec	hex	
> 206.3	32767	7FFF _H	> 403.3	32767	7FFF _H	> 479.5	32767	7FFF _H	Overflow
206.3	2063	080F _H	403.3	4033	0FC1 _H	479.5	4795	12BB _H	Overshoot range
:	:	:	:	:	:	:	:	:	
175.1	1751	06D7 _H	347.1	3471	0D8F _H	448.3	4483	1183 _H	
175	1750	06D6 _H	347	3470	0D8E _H	448.2	4482	1182 _H	Rated range
:	:	:	:	:	:	:	:	:	
-55	-550	FDDA _H	-67	-670	FD62 _H	218.2	2182	0886 _H	
-55.1	-551	FDD9 _H	-67.1	-671	FD61 _H	218.1	2181	0885 _H	Undershoot range
:	:	:	:	:	:	:	:	:	
-64.7	-647	FD79 _H	-84.5	-845	FCB3 _H	208.5	2085	08205 _H	
< -64.7	-32768	8000 _H	< -84.5	-32768	8000 _H	< 208.5	-32768	8000 _H	Underflow

Representation of analog values for KTY84/130 silicon temperature sensors

Table 5- 23 Representation of analog values for KTY84/130 silicon temperature sensors

KTY84/130 in °C (1 digit = 0.1 °C)	Units		KTY84/130 in °F (1 digit = 0.1 °F)	Units		KTY84/130 in °K (1 digit = 0.1 °K)	Units		Range
	dec	hex		dec	hex		dec	hex	
> 352.8	32767	7FFF _H	> 667.0	32767	7FFF _H	> 626.0	32767	7FFF _H	Overflow
352.8	3528	0DC8 _H	667.0	6670	1A0E _H	626.0	6260	1874 _H	Overshoot range
:	:	:	:	:	:	:	:	:	
300.1	3001	0BB9 _H	572.1	5721	1659 _H	573.3	5733	1665 _H	Rated range
300	3000	0BB8 _H	572	5720	1658 _H	573.2	5732	1664 _H	
:	:	:	:	:	:	:	:	:	Undershoot range
-40	-400	FE70 _H	-40	-400	FE70 _H	233.2	2332	091C _H	
-40.1	-401	FE6F _H	-40.1	-401	FE6F _H	233.1	2331	091B _H	Undershoot range
:	:	:	:	:	:	:	:	:	
-47.0	-470	FE2A _H	-52.6	-526	FDF2 _H	226.2	2262	08D6 _H	Underflow
< -47.0	-32768	8000 _H	< -52.6	-32768	8000 _H	< 226.2	-32768	8000 _H	

Representation of the analog values of thermocouples type B

Table 5- 24 Representation of the analog values of thermocouples type B

Type B in °C	Units		Type B in °F	Units		Type B in K	Units		Range
	dec	hex		dec	hex		dec	hex	
> 2070.0	32767	7FFF _H	> 3276.6	32767	7FFF _H	> 2343.2	32767	7FFF _H	Overflow
2070.0	20700	50DC _H	3276.6	32766	7FFE _H	2343.2	23432	5B88 _H	Overshoot range
:	:	:	:	:	:	:	:	:	
1820.1	18201	4719 _H	2786.6	27866	6CDA _H	2093.3	20933	51C5 _H	Rated range
1820.0	18200	4718 _H	2786.5	27865	6CD9 _H	2093.2	20932	51C4 _H	
:	:	:	:	:	:	:	:	:	Undershoot range
0.0	0	0000 _H	32.0	320	0140 _H	273.2	2732	0AAC _H	
:	:	:	:	:	:	:	:	:	Undershoot range
-120.0	-1200	FB50 _H	-184.0	-1840	F8D0 _H	153.2	1532	05FC _H	
< -120.0	-32768	8000 _H	< -184.0	-32768	8000 _H	< 153.2	32768	8000 _H	Underflow

Representation of the analog values of thermocouples type C

Table 5- 25 Representation of the analog values of thermocouples type C

Type C in °C	Units		Type C in °F	Units		Range
	dec	hex		dec	hex	
> 2500.0	32767	7FFF _H	> 3276.6	32767	7FFF _H	Overflow
2500.0	25000	61A8 _H	3276.6	32766	7FFE _H	Overshoot range
:	:	:	:	:	:	
2315.1	23151	5A6F _H	2786.6	27866	6CDA _H	Rated range
2315.0	23150	5A6E _H	2786.5	27865	6CD9 _H	
:	:	:	:	:	:	Undershoot range
0.0	0	0000 _H	32.0	320	0140 _H	
-0.1	-1	FFFF _H	31.9	319	013F _H	Undershoot range
:	:	:	:	:	:	
-120.0	-1200	FB50 _H	-184.0	-1840	F8D0 _H	Underflow
< -120.0	-32768	8000 _H	< -184.0	-32768	8000 _H	

Representation of the analog values of thermocouples type E

Table 5- 26 Representation of the analog values of thermocouples type E

Type E in °C	Units		Type E in °F	Units		Type E in K	Units		Range
	dec	hex		dec	hex		dec	hex	
> 1200.0	32767	7FFF _H	> 2192.0	32767	7FFF _H	> 1473.2	32767	7FFF _H	Overflow
1200.0	12000	2EE0 _H	2192.0	21920	55A0 _H	1473.2	14732	398C _H	Overshoot range
:	:	:	:	:	:	:	:	:	
1000.1	10001	2711 _H	1832.2	18322	4792 _H	1273.3	12733	31BD _H	Rated range
1000.0	10000	2710 _H	1832.0	18320	4790 _H	1273.2	12732	31BC _H	
:	:	:	:	:	:	:	:	:	Underflow
-270.0	-2700	F574 _H	-454.0	-4540	EE44 _H	0	0	0000 _H	
< -270.0	< -2700	< F574 _H	< -454.0	< -4540	< EE44 _H	< 0	< 0	< 0000 _H	Underflow
Faulty wiring (polarity reversal, or open inputs, for example), or sensor error in the negative range (wrong type of thermocouple, for example) will cause the analog input module to signal underflow, starting at...									
... from F0C4 _H underflow and outputs 8000 _H from FB70 _H underflow and outputs 8000 _H from E5D4 _H underflow and outputs 8000 _H .			

Representation of the analog values of thermocouples type J

Table 5- 27 Representation of the analog values of thermocouples type J

Type J in °C	Units		Type J in °F	Units		Type J in K	Units		Range
	dec	hex		dec	hex		dec	hex	
> 1450.0	32767	7FFF _H	> 2642.0	32767	7FFF _H	> 1723.2	32767	7FFF _H	Overflow
1450.0	14500	38A4 _H	2642.0	26420	6734 _H	1723.2	17232	4350 _H	Overshoot range
:	:	:	:	:	:	:	:	:	
1200.1	12001	2EE1 _H	2192.2	21922	55A2 _H	1473.3	14733	398D _H	Rated range
1200.0	12000	2EE0 _H	2192.0	21920	55A0 _H	1473.2	14732	398C _H	
:	:	:	:	:	:	:	:	:	Underflow
-210.0	-2100	F7CC _H	-346.0	-3460	F27C _H	63.2	632	0278 _H	
< -210.0	< -2100	<F7CC _H	< -346.0	< -3460	<F27C _H	< 63.2	< 632	< 0278 _H	
Faulty wiring (polarity reversal, or open inputs, for example), or sensor error in the negative range (wrong type of thermocouple, for example) will cause the analog input module to signal underflow, starting at ...									
... from F31C _H underflow and outputs 8000 _H from EA0C _H underflow and outputs 8000 _H from FDC8 _H underflow and outputs 8000 _H .			

Representation of the analog values of thermocouples type K

Table 5- 28 Representation of the analog values of thermocouples type K

Type K in °C	Units		Type K in °F	Units		Type K in K	Units		Range
	dec	hex		dec	hex		dec	hex	
> 1622.0	32767	7FFF _H	> 2951.6	32767	7FFF _H	> 1895.2	32767	7FFF _H	Overflow
1622.0	16220	3F5C _H	2951.6	29516	734C _H	1895.2	18952	4A08 _H	Overshoot range
:	:	:	:	:	:	:	:	:	
1372.1	13721	3599 _H	2501.8	25018	61BA _H	1645.3	16453	4045 _H	Rated range
1372.0	13720	3598 _H	2501.6	25061	61B8 _H	1645.2	16452	4044 _H	
:	:	:	:	:	:	:	:	:	Underflow
-270.0	-2700	F574 _H	-454.0	-4540	EE44 _H	0	0	0000 _H	
< -270.0	< -2700	< F574 _H	< -454.0	< -4540	<EE44 _H	< 0	< 0	< 0000 _H	
Faulty wiring (polarity reversal, or open inputs, for example), or sensor error in the negative range (wrong type of thermocouple, for example) will cause the analog input module to signal underflow, starting at ...									
... from F0C4 _H underflow and outputs 8000 _H from E5D4 _H underflow and outputs 8000 _H from FB70 _H underflow and outputs 8000 _H .			

Representation of the analog values of thermocouples type L

Table 5- 29 Representation of the analog values of thermocouples type L

Type L in °C	Units		Type L in °F	Units		Type L in K	Units		Range
	dec	hex		dec	hex		dec	hex	
> 1150.0	32767	7FFF _H	> 2102.0	32767	7FFF _H	> 1423.2	32767	7FFF _H	Overflow
1150.0	11500	2CEC _H	2102.0	21020	521C _H	1423.2	14232	3798 _H	Overshoot range
:	:	:	:	:	:	:	:	:	
900.1	9001	2329 _H	1652.2	16522	408A _H	1173.3	11733	2DD5 _H	Rated range
900.0	9000	2328 _H	1652.0	16520	4088 _H	1173.2	11732	2DD4 _H	
:	:	:	:	:	:	:	:	:	
-200.0	-2000	F830 _H	-328.0	-3280	F330 _H	73.2	732	02DC _H	Underflow
< -200.0	< -2000	< F830 _H	< -328.0	< -3280	< F330 _H	< 73.2	< 732	< 02DC _H	
Faulty wiring (polarity reversal, or open inputs, for example), or sensor error in the negative range (wrong type of thermocouple, for example) will cause the analog input module to signal underflow, starting at ...									
... from F380 _H underflow and outputs 8000 _H from EAC0 _H underflow and outputs 8000 _H from FE2C _H underflow and outputs 8000 _H .			

Representation of the analog values of thermocouples type N

Table 5- 30 Representation of the analog values of thermocouples type N

Type N in °C	Units		Type N in °F	Units		Type N in K	Units		Range
	dec	hex		dec	hex		dec	hex	
> 1550.0	32767	7FFF _H	> 2822.0	32767	7FFF _H	> 1823.2	32767	7FFF _H	Overflow
1550.0	15500	3C8C _H	2822.0	28220	6E3C _H	1823.2	18232	4738 _H	Overshoot range
:	:	:	:	:	:	:	:	:	
1300.1	13001	32C9 _H	2372.2	23722	5CAA _H	1573.3	15733	3D75 _H	Rated range
1300.0	13000	32C8 _H	2372.0	23720	5CA8 _H	1573.2	15732	3D74 _H	
:	:	:	:	:	:	:	:	:	
-270.0	-2700	F574 _H	-454.0	-4540	EE44 _H	0	0	0000 _H	Underflow
< -270.0	< -2700	< F574 _H	< -454.0	< -4540	< EE44 _H	< 0	< 0	< 0000 _H	
Faulty wiring (polarity reversal, or open inputs, for example), or sensor error in the negative range (wrong type of thermocouple, for example) will cause the analog input module to signal underflow, starting at ...									
... from F0C4 _H underflow and outputs 8000 _H from E5D4 _H underflow and outputs 8000 _H from FB70 _H underflow and outputs 8000 _H .			

Representation of the analog values of thermocouples type R, S

Table 5- 31 Representation of the analog values of thermocouples type R, S

Type R, S in °C	Units		Type R, S in °F	Units		Types R, S in K	Units		Range
	dec	hex		dec	hex		dec	hex	
> 2019.0	32767	7FFF _H	> 3276.6	32767	7FFF _H	> 2292.2	32767	7FFF _H	Overflow
2019.0	20190	4EDE _H	3276.6	32766	7FFE _H	2292.2	22922	598A _H	Overshoot range
:	:	:	:	:	:	:	:	:	
1769.1	17691	451B _H	3216.4	32164	7DA4 _H	2042.3	20423	4FC7 _H	Rated range
1769.0	17690	451A _H	3216.2	32162	7DA2 _H	2042.2	20422	4FC6 _H	
:	:	:	:	:	:	:	:	:	Undershoot range
-50.0	-500	FE0C _H	-58.0	-580	FDBC _H	223.2	2232	08B8 _H	
-50.1	-501	FE0B _H	-58.2	-582	FDBA _H	223.1	2231	08B7 _H	Underflow
:	:	:	:	:	:	:	:	:	
-170.0	-1700	F95C _H	-274.0	-2740	F54C _H	103.2	1032	0408 _H	
< -170.0	-32768	8000 _H	< -274.0	-32768	8000 _H	< 103.2	< 1032	8000 _H	

Representation of the analog values of thermocouples type T

Table 5- 32 Representation of the analog values of thermocouples type T

Type T in °C	Units		Type T in °F	Units		Type T in K	Units		Range
	dec	hex		dec	hex		dec	hex	
> 540.0	32767	7FFF _H	> 1004.0	32767	7FFF _H	> 813.2	32767	7FFF _H	Overflow
540.0	5400	1518 _H	1004.0	10040	2738 _H	813.2	8132	1FC4 _H	Overshoot range
:	:	:	:	:	:	:	:	:	
400.1	4001	0FA1 _H	752.2	7522	1D62 _H	673.3	6733	1AAD _H	Rated range
400.0	4000	0FA0 _H	752.0	7520	1D60 _H	673.2	6732	1AAC _H	
:	:	:	:	:	:	:	:	:	Underflow
-270.0	-2700	F574 _H	-454.0	-4540	EE44 _H	3.2	32	0020 _H	
< -270.0	< -2700	< F574 _H	< -454.0	< -4540	< EE44 _H	< 3.2	< 32	< 0020 _H	
Faulty wiring (polarity reversal, or open inputs, for example), or sensor error in the negative range (wrong type of thermocouple, for example) will cause the analog input module to signal underflow, starting at ...									
... from F0C4 _H underflow and outputs 8000 _H from E5D4 _H underflow and outputs 8000 _H from FB70 _H underflow and outputs 8000 _H .			

Representation of the analog values of thermocouples type U

Table 5- 33 Representation of the analog values of thermocouples type U

Type U in °C	Units		Type U in °F	Units		Type U in K	Units		Range
	dec	hex		dec	hex		dec	hex	
> 850.0	32767	7FFF _H	> 1562.0	32767	7FFF _H	> 1123.2	32767	7FFF _H	Overflow
850.0	8500	2134 _H	1562.0	15620	2738.0 _H	1123.2	11232	2BE0 _H	Overshoot range
:	:	:	:	:	:	:	:	:	
600.1	6001	1771 _H	1112.2	11122	2B72 _H	873.2	8732	221C _H	
600.0	6000	1770 _H	1112.0	11120	2B70 _H	873.2	8732	221C _H	Rated range
:	:	:	:	:	:	:	:	:	
-200.0	-2000	F830 _H	-328.0	-3280	F330 _H	73.2	732	02DC _H	
< -200.0	< -2000	< F830 _H	< -328.0	< -3280	< F330 _H	< 73.2	< 732	< 02DC _H	Underflow
Faulty wiring (polarity reversal, or open inputs, for example), or sensor error in the negative range (wrong type of thermocouple, for example) will cause the analog input module to signal underflow, starting at ...									
... from F380 _H underflow and outputs 8000 _H from EAC0 _H underflow and outputs 8000 _H from FE2C _H underflow and outputs 8000 _H .			

Representation of analog values for type TXK/XKL GOST thermocouple

Table 5- 34 Representation of analog values for type TXK/XKL GOST thermocouple

Type TXK/XKL in °C	Units		Type TXK/XKL in °F	Units		Range
	dec	hex		dec	hex	
> 1050.0	32767	7FFF _H	> 1922.0	32767	7FFF _H	Overflow
1050.0	8500	2904 _H	1922.0	19220	4B14 _H	Overshoot range
:	:	:	:	:	:	
800.1	8001	1F41 _H	1472.1	14721	3981 _H	
800.0	8000	1F40 _H	1472.0	14720	3980 _H	Rated range
:	:	:	:	:	:	
0.0	0	0000 _H	32.0	320	0140 _H	
:	:	:	:	:	:	
-200.0	-2000	F830 _H	-328.0	-3280	F330 _H	
< -200.0	<-32768	< F8000 _H	< -328.0	<-32768	8000 _H	Underflow

5.2 Representation of analog values for analog output channels

Binary representation of output ranges

Table 5- 35 Bipolar output ranges

		2 ¹⁵	2 ¹⁴	2 ¹³	2 ¹²	2 ¹¹	2 ¹⁰	2 ⁹	2 ⁸	2 ⁷	2 ⁶	2 ⁵	2 ⁴	2 ³	2 ²	2 ¹	2 ⁰	
≥32512	0 %	0	1	1	1	1	1	1	1	x	x	x	x	x	x	x	x	Overflow
32511	117,589	0	1	1	1	1	1	1	0	1	1	1	1	1	1	1	1	Overshoot range
27649	≥100,004	0	1	1	0	1	1	0	0	0	0	0	0	0	0	0	1	
27648	100,000	0	1	1	0	1	1	0	0	0	0	0	0	0	0	0	0	Rated range
1	0,003617	0	0	0	0	0	0	0	0	0	0	0	0	0	0	0	1	
0	0,000	0	0	0	0	0	0	0	0	0	0	0	0	0	0	0	0	
-1	-0,003617	1	1	1	1	1	1	1	1	1	1	1	1	1	1	1	1	
-27648	-100,000	1	0	0	1	0	1	0	0	0	0	0	0	0	0	0	0	Undershoot range
-27649	≤100,004	1	0	0	1	0	0	1	1	1	1	1	1	1	1	1	1	
-32512	-117,593	1	0	0	0	0	0	0	1	0	0	0	0	0	0	0	0	
≤-32513	0 %	1	0	0	0	0	0	0	0	x	x	x	x	x	x	x	x	Underflow

Table 5- 36 Unipolar output ranges

Units	Output value in %	Data word																Range
		2 ¹⁵	2 ¹⁴	2 ¹³	2 ¹²	2 ¹¹	2 ¹⁰	2 ⁹	2 ⁸	2 ⁷	2 ⁶	2 ⁵	2 ⁴	2 ³	2 ²	2 ¹	2 ⁰	
≥32512	0 %	0	1	1	1	1	1	1	1	x	x	x	x	x	x	x	x	Overflow
32511	117,589	0	1	1	1	1	1	1	0	1	1	1	1	1	1	1	1	Overshoot range
27649	≥100,004	0	1	1	0	1	1	0	0	0	0	0	0	0	0	0	1	
27648	100,000	0	1	1	0	1	1	0	0	0	0	0	0	0	0	0	0	Rated range
1	0,003617	0	0	0	0	0	0	0	0	0	0	0	0	0	0	0	1	
0	0,000	0	0	0	0	0	0	0	0	0	0	0	0	0	0	0	0	
-1	0,000	1	1	1	1	1	1	1	1	1	1	1	1	1	1	1	1	
-32512		1	0	0	0	0	0	0	1	0	0	0	0	0	0	0	0	limited to the low limit of the rated range, 0 V or 0 mA
≤-32513	0 %	1	0	0	0	0	0	0	0	x	x	x	x	x	x	x	x	

Representation of analog values in the voltage output ranges

Table 5- 37 Representation of analog values in the ±10 V output range

System			Voltage output range	
	dec	hex	±10 V	
118,5149 %	32767	7FFF	0.00 V	Overflow, off power
	32512	7F00		
117,589 %	32511	7EFF	11.76 V	Overshoot range
	27649	6C01		
100 %	27648	6C00	10 V	Rated range
75 %	20736	5100	7.5 V	
0,003617 %	1	1	361.7 µV	
0 %	0	0	0 V	
	-1	FFFF	-361.7 µV	
-75 %	-20736	AF00	-7.5 V	
-100 %	-27648	9400	-10 V	
	-27649	93FF		Undershoot range
-117,593 %	-32512	8100	-11.76 V	Underflow, at zero voltage and current
	-32513	80FF		
-118,519 %	-32768	8000	0.00 V	

Table 5- 38 Representation of analog values in the 0 V to 10 V and 1 V to 5 V output ranges

System			Voltage output range		
	dec	hex	0 V to 10 V	1 V to 5 V	
118,5149 %	32767	7FFF	0.00 V	0.00 V	Overflow, off power
	32512	7F00			
117,589 %	32511	7EFF	11.76 V	5.70 V	Overshoot range
	27649	6C01			
100 %	27648	6C00	10 V	5 V	Rated range
75 %	20736	5100	7.5 V	3.75 V	
0,003617 %	1	1	361.7 µV	1 V +144.7 µV	
0 %	0	0	0 V	1 V	
	-1	FFFF			Undershoot range
-25 %	-6912	E500		0 V	Not supported. Output value limited to 0 V.
	-6913	E4FF			
-117,593 %	-32512	8100			
	-32513	80FF			Underflow, at zero voltage and current
-118,519 %	-32768	8000	0.00 V	0.00 V	

Representation of analog values in the current output ranges

Table 5- 39 Representation of analog values in the ± 20 mA output range

System			Current output range	
	dec	hex	± 20 mA	
118,5149 %	32767	7FFF	0.00 mA	Overflow, off power
	32512	7F00		
117,589 %	32511	7EFF	23.52 mA	Overshoot range
	27649	6C01		
100 %	27648	6C00	20 mA	Rated range
75 %	20736	5100	15 mA	
0,003617 %	1	1	723.4 nA	
0 %	0	0	0 mA	
	-1	FFFF	-723.4 nA	
-75 %	-20736	AF00	-15 mA	
-100 %	-27648	9400	-20 mA	
	-27649	93FF		Undershoot range
-117,593 %	-32512	8100	-23.52 mA	Underflow, at zero voltage and current
	-32513	80FF		
-118,519 %	-32768	8000	0.00 mA	

Table 5- 40 Representation of analog values in the 0 mA to 20 mA and 4 mA to 20 mA output ranges

System			Current output range		
	dec	hex	0 mA to 20 mA	4 mA to 20 mA	
118,5149 %	32767	7FFF	0.00 mA	0.00 mA	Overflow, off power
	32512	7F00			
117,589 %	32511	7EFF	23.52 mA	22.81 mA	Overshoot range
	27649	6C01			
100 %	27648	6C00	20 mA	20 mA	Rated range
75 %	20736	5100	15 mA	16 mA	
0,003617 %	1	1	723.4 nA	4 mA + 578.7 nA	
0 %	0	0	0 mA	4 mA	
	-1	FFFF			
-25 %	-6912	E500		0 mA	Undershoot range
	-6913	E4FF			
-117,593 %	-32512	8100			
	-32513	80FF			Not supported. Output value limited to 0 mA.
-118,519 %	-32768	8000	0.00 mA	0.00 mA	Underflow, at zero voltage and current

5.3 Setting the measuring method and ranges of analog input channels

Two procedures

There are two methods of setting the measuring method and ranges of analog input channels at analog modules:

- using a measuring range module and *STEP 7*
- hardwiring of the analog input channel and *STEP 7*

The method to use for the various analog modules is module-specific and is described in detail in the special module chapters.

This section describes how to set up the type and range of measurement using measuring range modules.

Setting the measurement type and ranges using measuring range modules

The analog modules are supplied with corresponding measuring range modules as required.

You may have to change the position of the measuring range module to suit the measurement type and range.

Note

Note that the measuring range modules are installed on the side of the analog input module.

Always check whether the measuring range modules needs to be set up for a different measurement type and range **before** you install the analog input module.

Optional settings of the measuring range modules

Optional settings of the measuring range modules: "A", "B", "C" and "D".

For detailed information on settings to be made for a specific measurement type and range, refer to the special module chapter.

The settings for the different measurement types and ranges are also printed onto the analog module.

Changing the positioning of measuring range modules

To insert the measuring range module into a different slot:

1. Remove the measuring range module from the slot of the analog input module by lifting it out with a screwdriver.

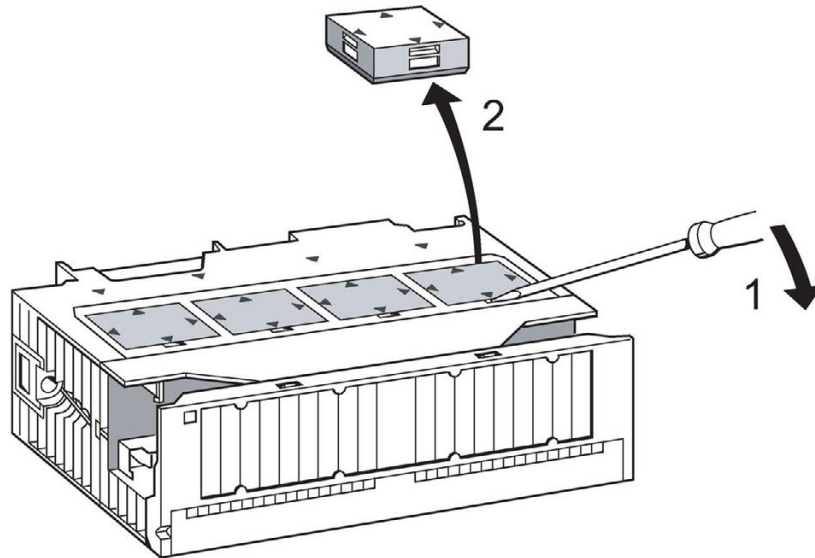


Figure 5-1 Removing the measuring range module from a slot of the analog input module

2. Insert the measuring range module into the required slot (1) of the analog input module.

The indicator of the selected measuring range must be in line with the marker on the module (2).

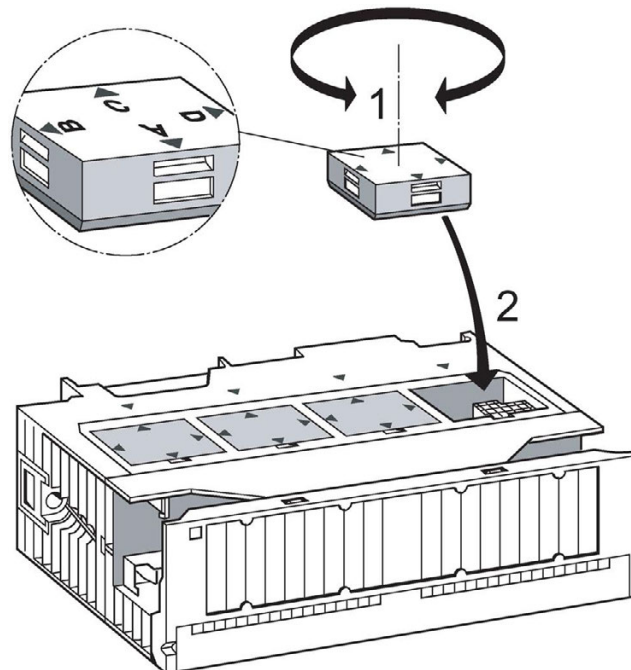


Figure 5-2 Inserting the measuring range module into the analog input module

Proceed likewise with any other measuring range modules.

You can now install the module.

 **CAUTION**

Incorrect settings of the measuring range modules may lead to the destruction of the module.

Always make sure that the measuring range module is in the correct position before you connect a sensor to the module.

5.4 Response of the analog modules

This chapter

This chapter describes:

- the dependency of analog input and output values on CPU operating states and on the supply voltage of the analog module
- the reaction of analog modules, based on the actual analog value within the relevant range of values
- the influence of the operational limits of analog modules on analog IO values, as illustrated by an example

5.4.1 Influence of the power supply and operating state

Introduction

This chapter describes:

- the dependency of analog IO values on CPU operating states, and on the supply voltage of the analog module
- the reaction of analog modules, based on the actual analog value within the relevant range of values
- the influence of the operational limits of analog modules on analog IO values, as illustrated by an example

Influence of the supply voltage and operating state on the modules

The IO values of analog modules are determined by the CPU operating state and the module's supply voltage.

Table 5- 41 Dependencies of the analog IO values on the CPU's operating State and on the L+ supply voltage

CPU operating state		Supply voltage L+ at the analog module	Input value of the analog input module	Output value of the analog output module
POWER ON	RUN	L+ present	Measured value 7FFF _H , until the first conversion after POWER ON is completed, or when the module has been programmed.	CPU values Until the first conversion... <ul style="list-style-type: none"> • after POWER ON, the module outputs a 0 mA or 0 V signal. • after programming is successfully completed, it outputs the previous value.
		L+ missing	Overflow value	0 mA / 0 V
POWER ON	STOP	L+ present	Measured value 7FFF _H , until the first conversion after POWER ON is completed, or when the module has been programmed.	Substitution value / last value (default: 0 mA / 0 V)
		L+ missing	Overflow value	0 mA / 0 V
POWER OFF	-	L+ present	-	0 mA / 0 V
		L+ missing	-	0 mA / 0 V

Reaction to power failure

Power failure at analog modules is always indicated by their relevant SF LED. This information is also available on the module (in diagnostics buffer data.)

Diagnostics interrupt triggering is based on parameter settings.

See also

Programming analog modules (Page 294)

5.4.2 Influence of the range of analog values

influence of errors on analog modules with diagnostics functions

Errors may lead to an entry in the diagnostics buffer and trigger a diagnostics interrupt at analog modules with diagnostics function and corresponding parameter settings.

Influence of the range of values on the analog input module

The reaction of analog modules is determined by the actual input values within the range of values.

Table 5- 42 Reaction of analog input modules as a function of the actual analog value within the range of values

Measured value with-in	Input value	SF LED	Diagnostics	Interrupt
Rated range	Measured value	-	-	-
Over-shoot/undershoot range	Measured value	-	-	-
Overflow	7FFF _H	lit ¹	Entry is made ¹	Diagnostics interrupt ¹⁾
Underflow	8000 _H	lit ¹	Entry is made ¹	Diagnostics interrupt ¹⁾
beyond programmed limit	Measured value	-	-	Process interrupt ¹⁾

¹⁾, only supported by modules with diagnostics function, and depending on parameter settings

Influence of the range of values on the analog output module

The reaction of analog modules is determined by the actual output values within the value range.

Table 5- 43 Reaction of analog output modules as a function of the actual analog value within the range of values

Output value within	Output value	SF LED	Diagnostics	Interrupt
Rated range	CPU value	-	-	-
Over-shoot/undershoot range	CPU value	-	-	-
Overflow	0 signal	-	-	-
Underflow	0 signal	-	-	-

5.4.3 Influence of operational limits and basic error limits

Operational limit

The operational limit represents the total measuring/output error of an analog module within the permissible temperature range, based on the module's rating.

Basic error limit

The basic error limit represents the total measuring/output error at 25 °C, based on the module's rating.

Note

The percentile values of operational and basic error limits in the module's technical data always refer to the **highest possible** input and output value within the nominal range of the module.

Example of the determination of the output error of a module

An analog output module SM 332; AO 4 x 12 Bit is being used for voltage output. An output range of "0 to 10 V" is set. The module is operating at an ambient temperature of 30 °C, i.e. the operational limit applies. The technical data of the module state:

- Operational limit for voltage output: $\pm 0,5 \%$

Hence, an output error of $\pm 0.05 \text{ V}$ ($\pm 0.5 \%$ of 10 V) across the nominal range of the module must be expected.

At an actual voltage of 1 V, for example, the module will then output a value in the range from 0.95 V to 1.05 V. The relative error is $\pm 5 \%$ in this case.

For the example, the figure below shows how the relative error decreases as the output value approaches the end of the 10-V range.

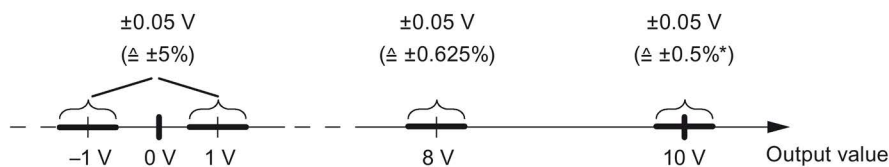


Figure 5-3 Example of the relative error of an analog output module

5.5 Conversion and cycle times of analog modules

Conversion time of analog input channels

The conversion time is the total of the basic conversion time plus additional processing times of the module for:

- Resistance measurement
- Wirebreak monitoring

The basic conversion time depends directly on the conversion method of the analog input channel (integrating method, actual value conversion.)

The integration time of integrating conversions has a direct influence on conversion times. The integration time depends on the interference frequency suppression you set in *STEP 7*.

For information on basic conversion times and additional processing times of the various analog modules, refer to the technical data of the relevant module.

Cycle time of analog input channels

Analog-to-digital conversion, and the transfer of digitized measured values to memory and/or to the backplane bus, are carried out sequentially, i.e. the analog input channels are converted in successive order. The cycle time, i.e. the time expiring until an analog input value is converted again, represents the accumulated conversion time of all activated analog input channels of the analog input module.

The figure below provides an overview of the cycle time elements for an n-channel analog module.

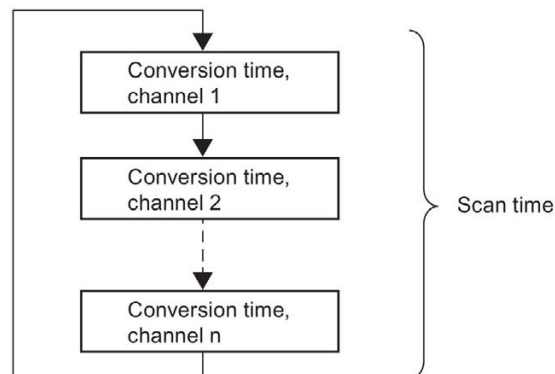


Figure 5-4 Cycle time of an analog input or output module

Conversion and cycle times for analog input channels in channel groups

Make allowances for the accumulated channel conversion time when the analog input channels are joined to form channel groups.

Example

Two analog input channels of the SM 331; AI 2 x 12 Bit analog input module form a channel group. You must therefore grade the cycle time in steps of 2.

Setting smoothing of analog values

Certain analog input modules allow you to set smoothing of analog values in *STEP 7*.

Using smoothing

Smoothed analog values provide a reliable analog signal for further processing.

It is useful to smooth the analog values with slow variations of measured values, for example, when measuring temperature.

Smoothing principle

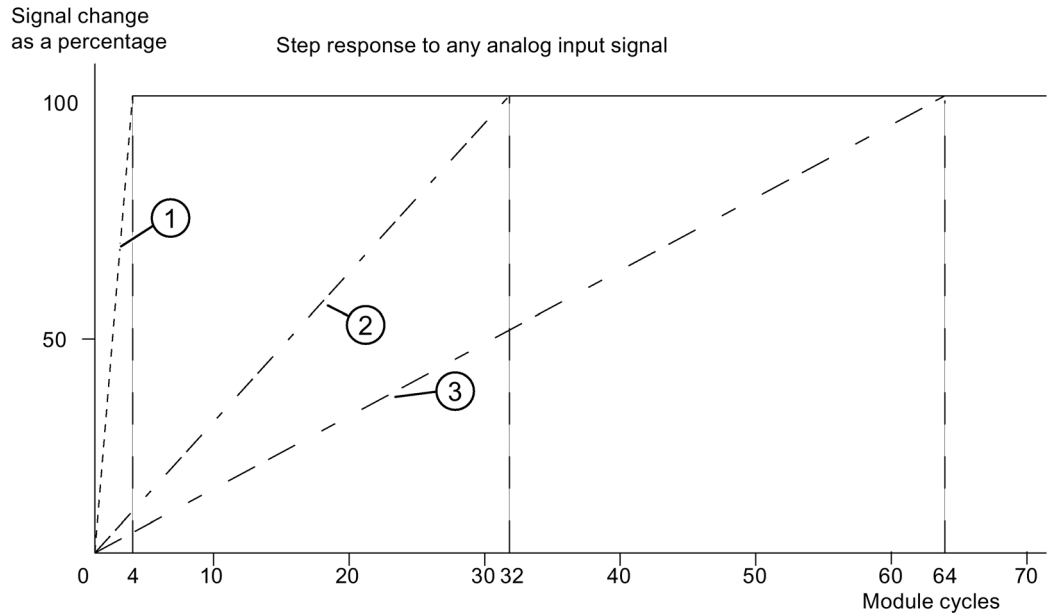
The measured values are smoothed by digital filtering. Smoothing is accomplished by the module calculating mean values, derived from a defined number of converted (digitized) analog values.

The user configures up to four grades of smoothing (none, low, average, high). The grade determines the number of analog signals used for averaging.

A higher smoothing provides a more reliable analog value, and prolongs the time it takes to apply a smoothed analog signal following a step response (see the example below.)

Examples

The figures below show the number of cycles a module requires to apply a close to 100% smoothed analog value after a step response, based on the smoothing function settings. The figure applies to all signal changes at the analog input.



- ① Low smoothing grade
- ② Medium smoothing grade
- ③ High smoothing grade

Figure 5-5 Example of impact of smoothing on the jump response with the AI 8 x 14 bit

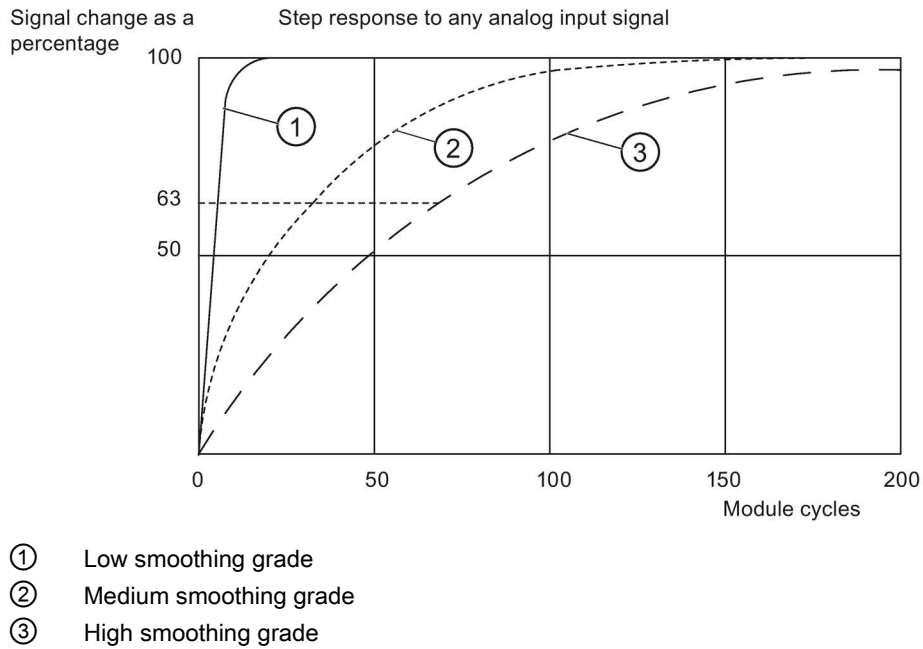


Figure 5-6 Example of impact of smoothing on the step response with the AI 6 x TC

Further information on smoothing

For information showing whether a specific module supports smoothing functions, and special features to observe, refer to the chapter dealing with the analog input module.

Conversion time of the analog output channels

The conversion time of the analog output channels includes the transfer of digitized output values from internal memory, and their digital-to-analog conversion.

Cycle time of analog output channels

Analog output channels are converted sequentially, i.e. successively.

The cycle time, i.e. the time expiring until an analog output value is converted again, is equivalent to the accumulated conversion times of all activated analog output channels. Refer to the figure *Cycle time of an analog IO channel*.

Tip

You should disable all unused analog channels in **STEP 7** in order to reduce cycle times.

5.6 Settling and response times of analog output channels

Settling time

The settling time (t_2 to t_3), i.e. the time expiring until a converted value has gained a specified level at an analog output, is load-dependent. We therefore distinguish between resistive, capacitive and inductive load.

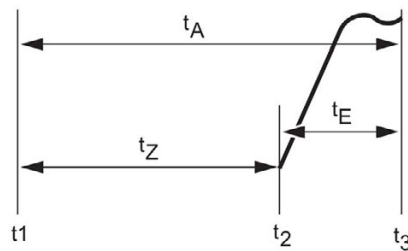
For information on settling times as a function of load at the various analog output modules, refer to the technical data of the relevant module.

Response time

The worst case response time (t_1 to t_3), i.e. the time expiring between the input of digital output values to internal memory, and the signal settling time at the analog output, may be equivalent to the total of cycle time plus settling time.

The worst case scenario is given, when the analog channel has been converted immediately before a new output value is transferred, and is not converted again until all other channels have been converted (cycle time.)

Overview of the settling time and response time of analog output modules



- t_A Response time
- t_C t_C = Cycle time, equivalent to $n \times$ conversion time (n = active channels)
- t_S Settling time
- t_1 new digital output value is set
- t_2 Output value is applied and converted
- t_3 specified output value is reached

5.7 Programming analog modules

Introduction

The properties of analog modules may differ. The module properties can be programmed.

Programming tools

You program analog modules in *STEP 7*. Always program the module while the CPU is in STOP mode.

After you defined all parameters, download these from your PG to the CPU. The CPU transfers the parameters to the relevant analog modules at the STOP → RUN transition.

Also, position the measuring range modules of the module as required.

Static and dynamic parameters

Parameters are organized by static and dynamic properties.

Set the static parameters while the CPU is in STOP, as described earlier.

You can also modify dynamic parameters in the active user program using SFCs. However, the parameters set in *STEP 7* will be applied again after a RUN → STOP, STOP → RUN transition of the CPU.

Parameters	configurable using	CPU operating state
static	PG (STEP 7 HW CONFIG)	STOP
dynamic	PG (STEP 7 HW CONFIG)	STOP
	SFC 55 in the user program	RUN

See also

Programmable parameters (Page 348)

5.7.1 Parameters of analog input modules

Parameters of analog input modules

For information on parameters supported by specific analog modules, refer to the chapter dealing with the relevant module.

The defaults apply if you have not set any parameters in **STEP 7**.

5.8 Diagnostics of analog modules

Programmable and non-programmable diagnostic messages

We distinguish between programmable and non-programmable diagnostic messages.

You only obtain programmable diagnostic messages if you have enabled diagnostics at the relevant parameters. Program these functions in the "Diagnostics" parameter block in *STEP 7*.

The the analog module always provides non-programmable diagnostic messages, irrespective of the enable state of diagnostic functions.

Reactions to a diagnostic message in *STEP 7*

Actions initiated by diagnostic messages:

- The diagnostic message is written to the diagnostics buffer of the analog module, and is then passed to the CPU.
- The error LED on the analog module is lit.
- When "Enable Diagnostics Interrupt" is set in *STEP 7*, the system triggers a diagnostic interrupt and calls OB82.

Reading diagnostic messages

You can read detailed diagnostic messages in the user program using SFCs.

Viewing the cause of error

You can view the cause of the error in the module diagnostics data in *STEP 7* (refer to the *STEP 7* Online Help.)

Diagnostic message included in the measured value of analog input modules

All analog input modules return the measured value 7FFF_H as a reaction to errors, irrespective of parameter settings. This measured value indicates either overflow, error, or a disabled channel.

Diagnostic message using the SF LED

Diagnostics-capable analog modules indicate errors by means of their SF LED (group error LED). The SF LED lights up when the analog module has generated a diagnostic message. It goes dark after all error states are cleared.

See also

Programming analog modules (Page 294)

5.8.1 Diagnostics messages of analog input modules

Overview of the diagnostics messages of analog input modules

The table below provides an overview of the diagnostics messages of analog input modules.

Table 5- 44 Diagnostics messages of analog input modules

Diagnostics message	LED	Scope of diagnostics	programmable
External load voltage missing	SF	Module	no
Configuration / programming error	SF	Channel	yes
Common-mode error	SF	Channel	yes
Wirebreak	SF	Channel	yes
Underflow	SF	Channel	yes
Overflow	SF	Channel	yes

5.8.2 Diagnostic messages of analog output modules

Overview of the diagnostic messages of analog output modules

The table below provides an overview of the diagnostic messages of analog output modules.

Table 5- 45 Diagnostic messages of analog output modules

Diagnostic message	LED	Scope of diagnostics	programmable
External load voltage missing	SF	Module	no
Configuration / programming error	SF	Channel	yes
Short-circuit to M*	SF	Channel	yes
Wire-break*	SF	Channel	yes

* Not with the SM 332, AO 4 x 16 bit, isochrone

Note

The detection of errors which are indicated in programmable diagnostic messages requires appropriate configuration of the analog module in *STEP 7*.

5.8.3 Causes of error and troubleshooting at analog input modules

Overview of the causes of error and troubleshooting at analog input modules

Table 5- 46 Diagnostics messages of analog input modules, causes of error and troubleshooting

Diagnostics message	Possible cause of error	To correct or avoid errors
External load voltage missing	Load voltage L+ of module missing	Connect supply L+
Configuration / programming error	Faulty parameters transferred to module	Check the measuring range module
		Program the module
Common-mode error	Potential difference C_{MV} between inputs M- and the reference potential of measuring circuit (M_{ANA} out of limits)	Connect M- with M_{ANA}
Wirebreak	Resistance of transducer circuit too high	Use a different type of sensor, or modify the wiring, for example, using a larger conductor cross-section.
	Open circuit between module and sensor	Connect the cable
	Channel not connected (open)	Disable the channel group ("measuring method" parameter) Wire the channel
Underflow	Input value below undershoot range; possible cause of error: wrong measuring range setting	program a different measuring range
	polarity reversal of the sensor wiring in the measuring ranges 4 to 20 mA and 1 to 5 V	Check the connections
Overflow	Input value exceeds overshoot range	program a different measuring range

5.8.4 Causes of error and troubleshooting at analog output modules

Overview of the causes of error and troubleshooting routines at analog output modules

Table 5- 47 Diagnostics messages of analog output modules, causes of error and troubleshooting

Diagnostics message	Possible cause of error	To correct or avoid errors
External load voltage missing	Load voltage L+ of module missing	Connect supply L+
Configuration / programming error	Faulty parameters transferred to module	Assign new module parameters
Short-circuit to M	Overload at output	Eliminate overload
	Short-circuit at output Q_V to M_{ANA}	Eliminate the short-circuit
Wirebreak	Actuator impedance too high	Use a different type of actuator, or modify the wiring using cables with a larger conductor cross-section
	Wire-break between the module and actuator	Connect the cable
	Channel not used (open)	Disable the channel group ("output type" parameter)

5.9 Interrupts of analog modules

Introduction

This section describes the interrupt response of analog modules. Always distinguish between the following interrupts:

- Diagnostic interrupt
- Hardware interrupt

Note that certain analog modules do not support interrupts, or are only partially capable of "handling" the interrupts described below. For information on modules which support interrupt functionality, refer to their technical data.

Description of the *STEP 7* blocks

For detailed information on the OBs and SFCs mentioned below, refer to the *STEP 7* Online Help.

Enabling interrupts

There are no default interrupt settings, that is, interrupts are disabled if not set accordingly. Program the interrupt enable parameter in *STEP 7*.

Diagnostic interrupt

Incoming error events (initial occurrence) and outgoing error events (error is cleared) are reported by means of diagnostic interrupt, if this interrupt is enabled.

The CPU interrupts user program execution in order to process diagnostic interrupt OB82.

You can call SFC51 or 59 in OB82 in the user program to view details of diagnostics data output by the module.

Diagnostics data remain consistent until the program exits OB82. The program acknowledges the diagnostic interrupt at the module when it exits OB82.

Hardware interrupt with "high or low limit exceeded" trigger

Define a working range by setting a high and low limit. If the process signal (for example, the temperature) overshoots this working range, the module triggers a hardware interrupt, provided the interrupt is enabled.

The CPU interrupts user program execution in order to execute hardware interrupt OB40.

In the user program of OB 40, you can define the reaction of the automation system to the violation of limits.

The program acknowledges the diagnostic interrupt at the module when it exits OB40.

Note

Note: the system does not generate a hardware interrupt if your limit setting exceeds the overshoot or undershoot range.

Structure of the start information variable OB40_POINT_ADDR of OB 40

The channel at which a specific limit is exceeded is logged to the OB40_POINT_ADDR variable in the start information of OB40. The diagram below shows the bit assignment of DWORD 8 in local data.

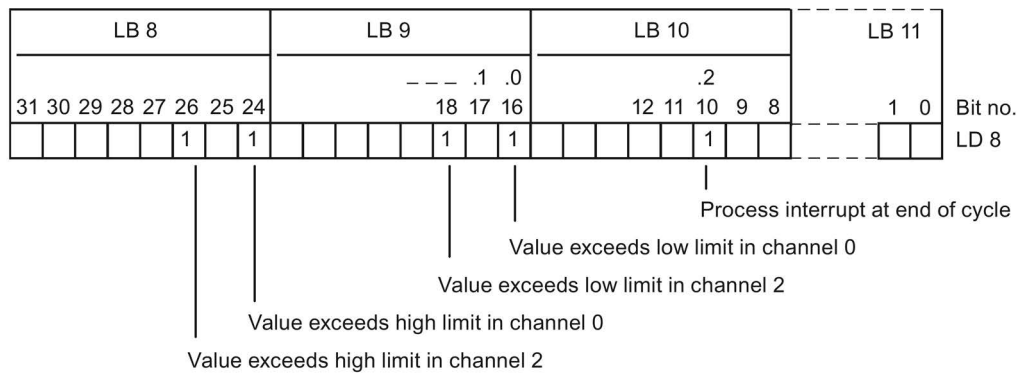


Figure 5-7 Start information of OB40: which limits event has triggered a hardware interrupt

Hardware interrupt triggered by "End of cycle reached"

You can synchronize a process with the cycle of the analog input module by programming a hardware interrupt trigger at the end of the cycle.

One cycle comprises the conversion of the measured values of all active channels of the analog input module. The module processes the channels in successive order. After all measured values were successfully converted, the module outputs an interrupt to the CPU in order to report new measured values at its channels.

You can always use this interrupt to download the actual converted analog values.

Analog modules

Introduction

This chapter describes:

1. Analog module selection and commissioning sequence
2. Overview of essential module properties
3. Modules which are available (properties, connection and block diagrams, technical data and additional information on the module):
 - a) for analog input modules
 - b) for analog output modules
 - c) for analog IO modules

STEP 7 blocks for analog functions

You can use FC105 "SCALE" (scale values) and FC106 "UNSCALE" (unscale values) blocks to read and output analog values in *STEP 7*. Those FCs are available in the *STEP 7* standard library, in the "TI-S7-Converting Blocks" subfolder.

Description of *STEP 7* blocks for analog functions

For information on FCs 105 and 106, refer to the *STEP 7* Online Help.

Further information

You should be familiar with the structure of the parameter sets (data records 0, 1 and 128) in system data before you edit module parameters in the *STEP 7* user program.

You should be familiar with the structure of diagnostics data (data records 0, 1) in system data before you edit any diagnostics data of the module in the *STEP 7* user program.

See also

Principles of programming signal modules in the user program (Page 522)

Evaluating diagnostic data of signal modules in the user program (Page 583)

6.1 Analog module selection and commissioning sequence

Introduction

The table below contains the steps required to successfully complete commissioning of analog modules.

You do not strictly have to adhere to this suggested sequence, that is, you can complete other tasks such as installing or commissioning other modules, or program the module at an earlier or later time.

Analog module selection and commissioning sequence

1. Selecting the module
2. For certain analog input modules: Set the measuring type and range using the measuring range module
3. Installing the module in the SIMATIC S7 system
4. Assigning module parameters
5. Connect the measuring transducers or loads to the module
6. Commission the configuration
7. Analyze the configuration if commissioning failed

More information on installation and commissioning

See the "Installation" and "Commissioning" chapter in the Installation Manual for your automation system:

- S7-300 Automation System, Installation or
- S7-400 Automation System, Installation or
- Distributed I/O Device ET 200M

The documentation is available on the Internet (<http://support.automation.siemens.com/WW/view/en>).

6.2 Module overview

Introduction

The tables below summarize the essential properties of the analog modules. This overview supports you in selecting a module to suit your requirements.

6.2.1 Analog input modules

Overview of properties

The table below shows essential properties of the analog input modules

Table 6- 1 Analog input modules

Properties	Module				
	SM 331; AI 8 x 16 Bit (-7NF00-)	SM 331; AI 8 x 16 Bit (-7NF10-)	SM 331; AI 8 x 14 Bit High Speed (-7HF0x-)	SM 331; AI 8 x 13 Bit (-1KF02-)	SM 331; AI 8 x 12 Bit (-7KF02-)
Number of inputs	8 inputs in 4 channel groups	8 inputs in 4 channel groups	8 inputs in 4 channel groups	8 inputs in 8 channel groups	8 inputs in 4 channel groups
Resolution	programmable for each channel group: <ul style="list-style-type: none"> 15 bits+sign 	programmable for each channel group: <ul style="list-style-type: none"> 15 bits+sign 	programmable for each channel group: <ul style="list-style-type: none"> 13 bits+sign 	programmable for each channel group: <ul style="list-style-type: none"> 12 bits+sign 	programmable for each channel group: <ul style="list-style-type: none"> 9 bits+sign 12 bits+sign 14 bits+sign
Measurement type	programmable for each channel group: <ul style="list-style-type: none"> Voltage Current 	programmable for each channel group: <ul style="list-style-type: none"> Voltage Current 	programmable for each channel group: <ul style="list-style-type: none"> Voltage Current 	programmable per channel: <ul style="list-style-type: none"> Voltage Current Resistance Temperature 	programmable for each channel group: <ul style="list-style-type: none"> Voltage Current Resistance Temperature
Measuring range selection	any, per channel group	any, per channel group	any, per channel group	any, per channel group	any, per channel group
Supports isochronous mode	no	no	yes	no	yes
Programmable diagnostics	yes	yes	yes	no	no
Diagnostic interrupt	programmable	programmable	programmable	no	programmable

Properties	Module				
	Limit value monitoring	programmable for 2 channels	programmable for 8 channels	programmable for 2 channels	no
Hardware interrupt when limit exceeded	programmable	programmable	programmable	no	Programmable
Hardware interrupt at end of cycle	no	yes	no	No	no
Potential ratios	electrically isolated from: <ul style="list-style-type: none"> The backplane bus interface 	electrically isolated from: <ul style="list-style-type: none"> The backplane bus interface 	electrically isolated from: <ul style="list-style-type: none"> The backplane bus interface The load voltage (not for 2-DMU) 	electrically isolated from: <ul style="list-style-type: none"> The backplane bus interface 	electrically isolated from: <ul style="list-style-type: none"> the CPU The load voltage (not for 2-DMU)
maximum potential difference between inputs (ICM)	50 V DC	60 V DC	11 V DC	2.0 V DC	≤ DC 2.3 V
Special features	-	-	-	Motor protection with PTC and silicone temperature sensors	-

Z sign
2-DMU = 2-wire transducer

Table 6-2 Analog input modules (continued)

Properties	Module				
	SM 331; AI 2 x 12 Bit (-7KB02-)	SM 331; AI 6 x TC (-7PE10-)	SM 331; AI 8 x TC (-7PF11-)	SM 331; AI 8 x RTD (-7PF01-)	SM 331; AI 8 x 0/4...20 mA HART (-7TF00-)*
Number of inputs	2 inputs in 1 channel group	6 inputs in 1 channel group	8 inputs in 4 channel groups	8 inputs in 4 channel groups	8 inputs in 1 channel group
Resolution	programmable for each channel group: <ul style="list-style-type: none"> 9 bits+sign 12 bits+sign 14 bits+sign 	Programmable for each channel group: <ul style="list-style-type: none"> 15 bits+sign 	Programmable for each channel group: <ul style="list-style-type: none"> 15 bits+sign 	Programmable for each channel group: <ul style="list-style-type: none"> 15 bits+sign 	programmable for each channel group: <ul style="list-style-type: none"> 15 bits+sign
Measurement type	programmable for each channel group: <ul style="list-style-type: none"> Voltage Current Resistance Temperature 	Programmable for each channel group: <ul style="list-style-type: none"> Voltage Temperature 	programmable for each channel group: <ul style="list-style-type: none"> Temperature 	programmable for each channel group: <ul style="list-style-type: none"> Resistance Temperature 	Programmable for each channel group: <ul style="list-style-type: none"> Current

Properties	Module				
	any, per channel group	any, per channel group	any, per channel group	any, per channel group	any, per channel group
Measuring range selection	any, per channel group	any, per channel group	any, per channel group	any, per channel group	any, per channel group
Supports isochronous mode	Yes	No	Yes	Yes	Yes
Programmable diagnostics	No	Yes	No	No	no
Diagnostic interrupt	programmable	Programmable	Programmable	Programmable	Programmable
Limit value monitoring	programmable for 1 channel	Programmable for 6 channels	programmable for 8 channels	programmable for 8 channels	programmable for 8 channels
Hardware interrupt when limit exceeded	Programmable	Programmable	Programmable	Programmable	programmable
Hardware interrupt at end of cycle	no	No	Programmable	Programmable	No
Potential ratios	electrically isolated from: <ul style="list-style-type: none"> the CPU The load voltage (not for 2-DMU) 	electrically isolated from: <ul style="list-style-type: none"> the CPU 	electrically isolated from: <ul style="list-style-type: none"> of the CPU 	electrically isolated from: <ul style="list-style-type: none"> the CPU 	electrically isolated from: <ul style="list-style-type: none"> the CPU The load voltage (not for 2-DMU)
maximum potential difference between inputs (ICM)	≤ DC 2.3 V	250 V AC	-	-	-
Special features	-	Calibration	-	-	-
Z sign 2-DMU = 2-wire transducer					

* This module is described in the Distributed I/O Device ET 200M HART Analog Modules manual. You can find the manual on the Internet (<http://support.automation.siemens.com/WW/view/en/22063748>).

6.2.2 Analog output modules

Overview of properties

The table below shows the analog output modules based on their essential properties

Table 6- 3 Analog output modules: Overview of properties

Properties	Modules				
	SM 332; AO 8 x 12 Bit	SM 332; AO 4 x 16 Bit	SM 332; AO 4 x 12 Bit	SM 332; AO 2 x 12 Bit	SM 332; AO 8 x 0/4...20mA HART
	(-5HF00-)	(-7ND02-)	(-5HD01-)	(-5HB01-)	(-8TF00-)*
Number of outputs	8 output channels	4 outputs in 4 channel groups	4 output channels	2 output channels	8 output channels
Resolution	12 bits	16 bits	12 bits	12 bits	15 bits (0 mA to 20mA) 15 bits +sign (4 mA to 20mA)
Output type	per channel: <ul style="list-style-type: none"> Voltage Current 	per channel: <ul style="list-style-type: none"> Voltage Current 	per channel: <ul style="list-style-type: none"> Voltage Current 	per channel: <ul style="list-style-type: none"> Voltage Current 	per channel: <ul style="list-style-type: none"> Voltage Current
Supports isochronous mode	no	yes	no	no	no
Programmable diagnostics	yes	yes	yes	yes	yes
Diagnostic interrupt	programmable	programmable	programmable	programmable	programmable
Substitute value output	no	programmable	programmable	programmable	programmable
Potential ratios	electrical isolation between: <ul style="list-style-type: none"> the backplane bus connection load voltage 	electrical isolation between: <ul style="list-style-type: none"> backplane bus interface and channel channels output and L+, M CPU and L+, M 	electrically isolated from: <ul style="list-style-type: none"> the backplane bus interface load voltage 	electrically isolated from: <ul style="list-style-type: none"> the backplane bus interface load voltage 	electrically isolated from: <ul style="list-style-type: none"> the backplane bus interface load voltage
Special features	-	-	-	-	-

+sign = plus sign

* This module is described in the Distributed I/O Device ET 200M HART Analog Modules manual. You can find the manual on the Internet (<http://support.automation.siemens.com/WW/view/en/22063748>).

6.2.3 Analog I/O modules

Overview of properties

The table below shows the analog IO modules based on their essential properties

Table 6- 4 Analog IO modules: Overview of properties

Properties	Modules	
	SM 334; AI 4/AO 2 x 8/8 Bit (-0CE01-)	SM 334; AI 4/AO 2 x 12 Bit (-0KE00-)
Number of inputs	4 inputs in 1 channel group	4 inputs in 2 channel groups
Number of outputs	2 outputs in 1 channel group	2 outputs in 1 channel group
Resolution	8 bits	12 bits + sign
Measurement type	programmable for each channel group: <ul style="list-style-type: none"> • Voltage • Current 	programmable for each channel group: <ul style="list-style-type: none"> • Voltage • Resistance • Temperature
Output type	per channel: <ul style="list-style-type: none"> • Voltage • Current 	per channel: <ul style="list-style-type: none"> • Voltage
Supports isochronous mode	no	no
Programmable diagnostics	no	no
Diagnostic interrupt	no	no
Limit value monitoring	no	no
Hardware interrupt when limit is exceeded	no	no
Hardware interrupt at end of cycle	no	no
Substitute value output	no	no
Potential ratios	<ul style="list-style-type: none"> • connected to potential of the backplane bus interface • electrically isolated to load voltage 	electrically isolated to: <ul style="list-style-type: none"> • backplane bus interface • load voltage
Special features	Not programmable, measurement and output type defined by hardwiring	-

6.3 Analog input module SM 331; AI 8 x 16 bit; (6ES7331-7NF00-0AB0)

Order number

6ES7331-7NF00-0AB0

Properties

- 8 inputs in 4 channel groups
- Programmable measurement type at each channel group
 - Voltage
 - Current
- Programmable resolution for each channel group (15 bits + sign)
- Any measuring range per channel group
- Programmable diagnostics and diagnostic interrupt
- Programmable limit value monitoring for 2 channels
- Programmable hardware interrupt when limit is exceeded
- High-speed update of measured values
- Electrically isolated to the CPU
- Supports parameter reassignment in RUN

Resolution

The resolution of measured values is independent of the selected integration time.

Diagnostics

For information on diagnostic messages at the "group diagnostics" parameter, refer to the table *Diagnostic messages of analog input modules*.

Hardware interrupts

Hardware interrupts for channel groups 0 and 1 can be programmed in *STEP 7*. However, set a hardware interrupt only for the first channel of a channel group, that is, either at channel 0, or at channel 2

High-speed update of measured values

A high-speed update of measured values at two channels of a channel group is three times compared to the activation of several channel groups.

Example: When channels 0 and 1 are active with 2.5 ms filtering, both channels return new measured values to the PLC at intervals of 10 ms. (with other settings, the refresh rate is equivalent to the filter setting.)

High-speed update of measured values is only possible if both channels of channel group 0 and 1 are active, that is, the "measuring type" parameter is set. However, only one of the two channel groups 0 or 1 may be active (not concurrently active.)

Terminal assignment

The diagrams below show various wiring options

Wiring: Voltage and current measurement

Wire the voltage inputs of the channel voltage in parallel using the corresponding shunt resistor when measuring current. Bridge the channel input terminals with the adjacent connector terminals.

Example: You configure channel 0 for current measurement by bridging terminals 22 and 2, and terminals 23 to 3.

At the channel configured for current measurements, connect the shunt resistor to the adjacent channel terminals in order to achieve the specified precision.

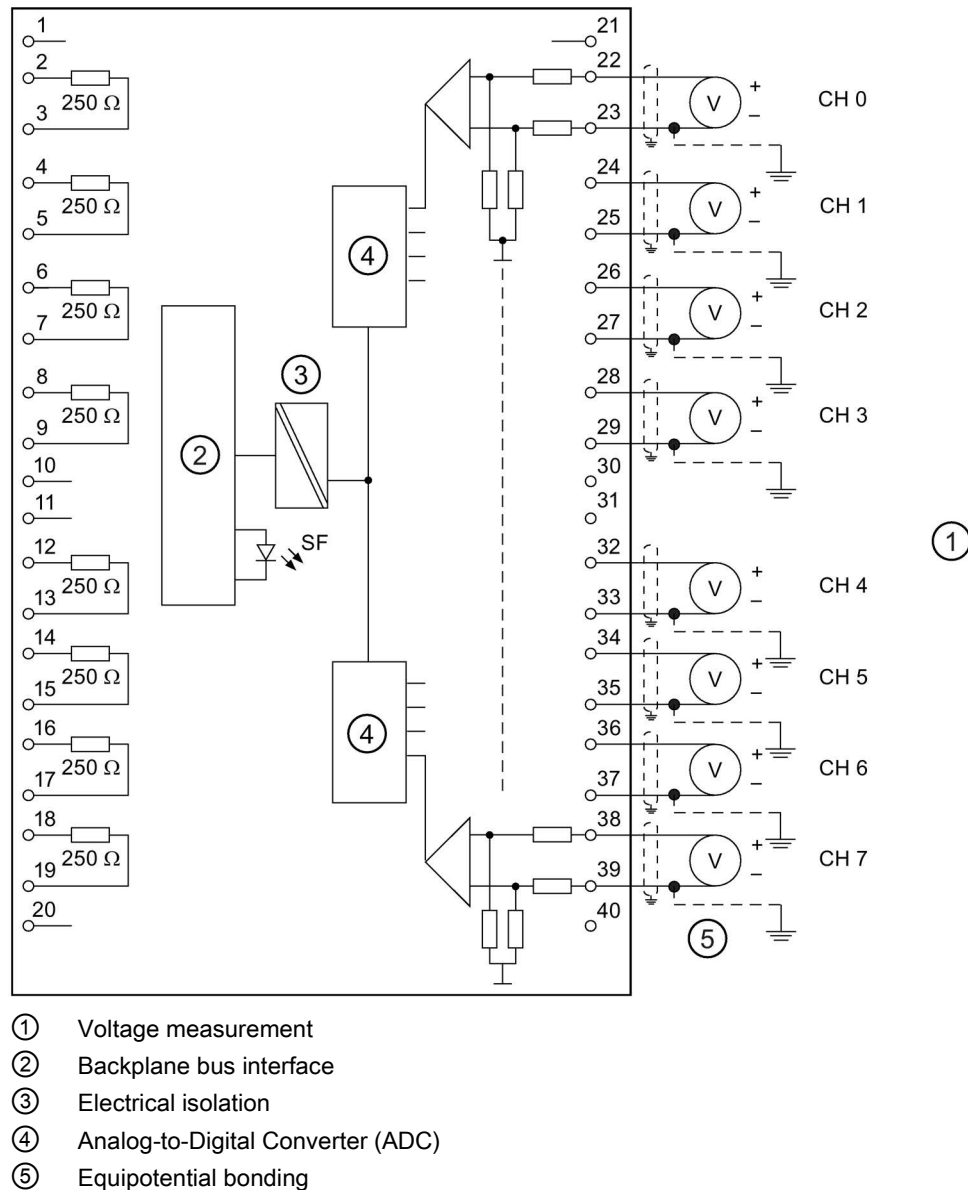
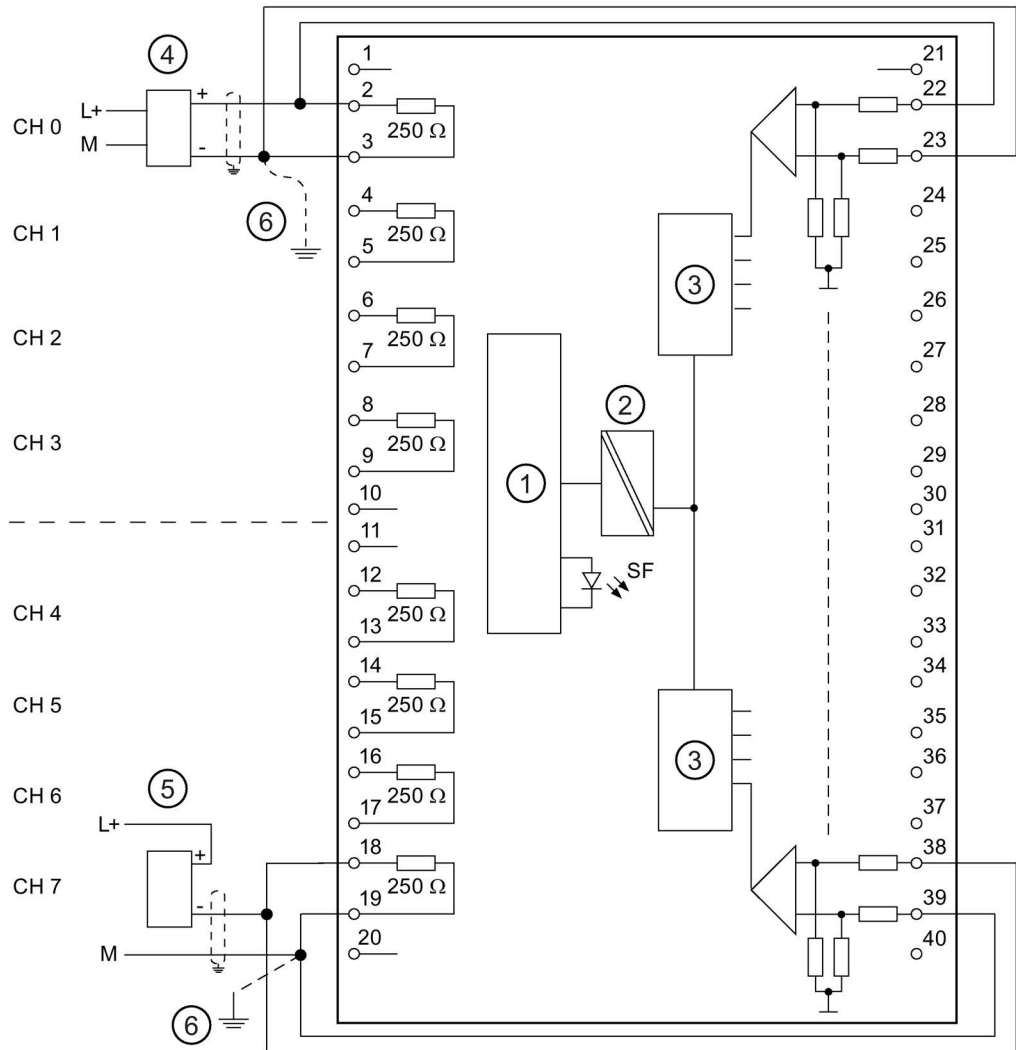


Figure 6-1 Wiring and block diagram

Wiring: 2-wire and 4-wire transducers



- ① Backplane bus interface
- ② Electrical isolation
- ③ Analog-to-Digital Converter (ADC)
- ④ Channel 0 for 4-wire transducer
- ⑤ Channel 7 for 2-wire transducer (with external supply)
- ⑥ Equipotential bonding

Figure 6-2 Wiring and block diagram

Technical specifications

Technical specifications				
Dimensions and weight				
Dimensions W x H x D (mm)	40 x 125 x 117			
Weight	ca. 272 g			
Module-specific data				
Supports parameter reassignment in RUN	Yes			
Response of non-configured inputs	Return the process value which was valid before configuration			
Supports isochronous mode	no			
Number of inputs	8			
Cable length	max. 200 m			
• shielded				
Voltages, currents, electrical potentials				
Electrical isolation	yes			
• between channels and the backplane bus				
Maximum potential difference	35 V AC / 50 V DC,			
• between inputs (CMV)				
Isolation test voltage	500 V DC			
Current consumption	max. 130 mA			
• from the backplane bus				
Power loss of the module	typ. 0.6 W			
Generation of analog values				
Measuring principle	Integrating			
Integration/conversion time/resolution (per channel)				
• programmable	yes			
• Integration time in ms	10	16.7	20	100
• Basic conversion time for each group with more than one active channel	35	55	65	305
• Channel conversion time for each group, only with active channel group 0 or 1	10	16.7	20	100
Channel integration time (1/f1) in ms	10	16.7	20	100
• Resolution (including overshoot range)	15 bits + sign			
• Interference frequency suppression at interference frequency f1 in Hz	100	60	50	10
Basic execution time of the module in ms (all channels enabled)	140	220	260	1220

Technical specifications		
Interference frequency suppression and error limits		
Interference frequency suppression at $f = n$ (f_1 1%), (f_1 = interference frequency); $n = 1, 2, \dots$		
<ul style="list-style-type: none"> Common mode interference (CMV < 50 V) Series mode interference (peak value of interference < rated input range) 	> 100 dB	> 90 dB
Crosstalk between inputs	> 100 dB	
Operational limit (across entire temperature range, relative to measurement range end value in the selected input range)	$C_{MV} = 0 / CMV = \pm 50$ V	
<ul style="list-style-type: none"> Voltage input Current input 	$\pm 0.1\%$ / $\pm 0.7\%$	$\pm 0.3\%$ / $\pm 0.9\%$
Basic error limit (operational limit at 25 °C, relative to measurement range end value in the selected input range)		
<ul style="list-style-type: none"> Voltage input Current input 	$\pm 0.05\%$	$\pm 0.05\%$
Temperature error (relative to input range)	$\pm 0.005\%/K$	
Linearity error (relative to input range)	$\pm 0.03\%$	
Repeat accuracy (in transient state at 25 °C, relative to input range)	$\pm 0.025\%$	
Status, interrupts, diagnostics		
Interrupts <ul style="list-style-type: none"> Limit interrupt Diagnostic interrupt 	programmable	Channels 0 and 2 programmable
Diagnostic functions <ul style="list-style-type: none"> Group error display Reading diagnostic information 	programmable	red LED (SF) supported
Encoder selection data		
Input ranges (rated values) / input impedance		
<ul style="list-style-type: none"> Voltage 	± 5 V 1 V to 5 V ± 10 V	/ 2 M Ω / 2 M Ω / 2 M Ω
<ul style="list-style-type: none"> Current 	0 mA to 20 mA ± 20 mA 4 mA to 20 mA	/ 250 Ω / 250 Ω / 250 Ω
Maximum voltage at voltage input (destruction limit)	max. 50 V, continuous	
Maximum current at current input (destruction limit)	max. 32 mA	
Wiring of the signal transmitters	using a 40pin front connector	
<ul style="list-style-type: none"> for voltage measurement for current measurement <ul style="list-style-type: none"> as 2-wire transducer as 4-wire transducer 	supported	possible, with separate transducer supply supported

Parameter reassignment in RUN

If you reassign parameters in RUN, the following special characteristic applies.

SF LED is lit:

If a diagnostics was pending prior to reconfiguration, the SF LEDs (on CPU, IM or module) may be lit even though diagnostics are no longer pending and the module is operating correctly.

Solution:

- Only assign new parameters if no diagnostics is pending, or
- unplug module and plug it in again.

6.3.1 Measurement types and ranges

Introduction

The measurement type and range is configured at the "measuring range" parameter in *STEP 7*.

The default setting of the module is "voltage" measurement with " $\pm 10V$ " range. You can use these default settings without having to program the SM 331; AI 8 x 16 Bit in *STEP 7*.

Measurement types and ranges

Table 6- 5 Measurement types and ranges

Selected type of measurement	Measuring range
Voltage V:	$\pm 5 V$ 1 V to 5 V $\pm 10 V$
Current	0 mA to 20 mA $\pm 20 mA$ 4 mA to 20 mA

6.3.2 Programmable parameters

Introduction

For information on programming analog modules, refer to the chapter Programming analog modules (Page 294).

Parameters

Table 6- 6 Overview of the parameters of SM 331; AI 8 x 16 Bit

Parameters	Range of values	Default	Parameter type	Scope
Enable <ul style="list-style-type: none"> Diagnostic interrupt Hardware interrupt when limit exceeded 	yes/no yes/no	no no	dynamic	Module
Hardware interrupt trigger <ul style="list-style-type: none"> High limit Low limit 	May be restricted by the measuring range. from 32511 to - 32512 from - 32512 to 32511	-	dynamic	Channel
Diagnostics <ul style="list-style-type: none"> Group diagnostics with line continuity check 	yes/no yes/no	no no	static	Channel group
Measurement <ul style="list-style-type: none"> Measurement type 	disabled Voltage V: 4DMU current (4-wire transducer)	V	dynamic	Channel group
<ul style="list-style-type: none"> Measuring range 	See the table <i>Measurement types and ranges</i>	± 10 V		
<ul style="list-style-type: none"> Noise suppression 	100 Hz; 60 Hz; 50 Hz; 10 Hz	50 Hz		

Channel groups

The channels of SM 331; AI 8 x 16 Bit are arranged in four groups of two channels. You can assign parameters only to one channel group.

The table below shows the relevant configuration of channel groups. The channel group number is required to program SFC parameters in the user program.

Table 6- 7 Assignment of SM 331; AI 8 x 16 Bit channels to channel groups

Channels form one channel group each
Channel 0	Channel group 0
Channel 1	
Channel 2	Channel group 1
Channel 3	
Channel 4	Channel group 2
Channel 5	
Channel 6	Channel group 3
Channel 7	

See also

Diagnostics messages of analog input modules (Page 296)

6.3.3 Additional information on SM 331; AI 8 x 16 Bit

Unused channels

Set the "disabled" value at the "measuring type" parameter for unused channels. This setting reduces module cycle times.

As certain programmed inputs may remain unused due to the channel group configuration, make allowances for the special features of those inputs outlined below in order to be able to use the diagnostic functions at these used channels:

- **Measuring range 1 V to 5 V:** wire the used input and unused input of the same channel group in parallel.
- **Current measurement, 4 mA to 20 mA:** wire the used input and unused input of the same channel group in series. Connect a shunt resistor to each programmed and unused channel.
- **Other measuring ranges:** Short-circuit the plus and minus inputs of the channel.

Line continuity check

The line continuity check is available for the 1 V to 5 V and 4 mA to 20 mA ranges.

Rule for both measuring ranges:

When the line continuity check is **enabled**, the module logs the wire-break to diagnostics data when the current drops below 3.6 mA (0.9 V.)

The module also triggers a diagnostic interrupt if this function is enabled in the program.

A wire break can only be signaled by means of the lit SF LED and the diagnostic bytes must be evaluated in the user program if diagnostic interrupts are disabled.

When line continuity check is **disabled** and diagnostic interrupts are enabled, the module triggers a diagnostic interrupt when underflow is detected.

Special features in programming high and low limits

The programmable limits (hardware interrupt triggers) of SM 331; AI 8 x 16 Bit differ from the range of value shown in the *Overview of parameters of SM 331; AI 8 x 16 Bit*. table.

Reason: The calculation methods deployed in the module software to evaluate the process variables do not allow the reporting of values up to 32511 in certain situations. The process value triggering a hardware interrupt at underflow or overflow limits is based on the calibration factors of the relevant channel, and may vary between the low limits shown in the table below and the value 32511 (7EFF_H).

You may not define any limits which exceed the minimum limits specified in the table below.

Table 6- 8 Minimum high and low limits of SM 331; AI 8 x 16 Bit

Measuring range	Minimum high limit	Minimum low limit
± 10 V	11.368 V 31430 7AC6 _H	-11.369 V -31433 8537 _H
± 5 V	5.684 V 31430 7AC6 _H	-5.684 V -31430 853A _H
1 V to 5 V	5.684 V 32376 7E78 _H	0.296 V -4864 ED00 _H
0 mA to 20 mA	22.737 mA 31432 7AC8 _H	-3.519 mA -4864 ED00 _H
4 mA to 20 mA	22.737 mA 32378 7E7A _H	1.185 mA -4864 ED00 _H
± 20 mA	22.737 mA 31432 7AC8 _H	-22.737 mA -31432 8538 _H

Measuring errors as a result of CMV

SM 331; AI 8 x 16 Bit is capable of taking measurements, irrespective of the presence of any CMV in the AC or DC range.

With **AC CMV** values of a multiple of filter frequency settings, noise is suppressed as a result of ADC integration time and common mode suppression at the input amplifiers. With AC CMV < 35 V_{RMS}, the noise suppression of > 100 dB results in negligible measurement errors.

The influence of **DC CMV** can only be reduced to minimum using the noise suppression function of the input amplifier unit. A certain degradation of measuring accuracy in proportion to CMV must be expected. The worst case error is generated at 50 VDC between one channel and the remaining seven channels. The calculated worst case error is 0.7% at 0 °C to 60 °C, while the measured error usually lies at ≤ 0.1% at 25 °C.

6.4 Analog input module SM 331; AI 8 x 16 Bit; (6ES7331-7NF10-0AB0)

Order number

6ES7331-7NF10-0AB0

Properties

- 8 inputs in 4 channel groups
- Programmable measurement type at each channel group
 - Voltage
 - Current
- Programmable resolution for each channel group (15 bits + sign)
- Any measuring range selection per channel group
- Programmable diagnostics and diagnostic interrupt
- Programmable limit value monitoring for 8 channels
- Programmable hardware interrupt when limit is exceeded
- Programmable hardware interrupt at end of cycle
- High-speed update of measured values at up to 4 channels
- Electrical isolation to the CPU
- Supports parameter reassignment in RUN

Diagnostics

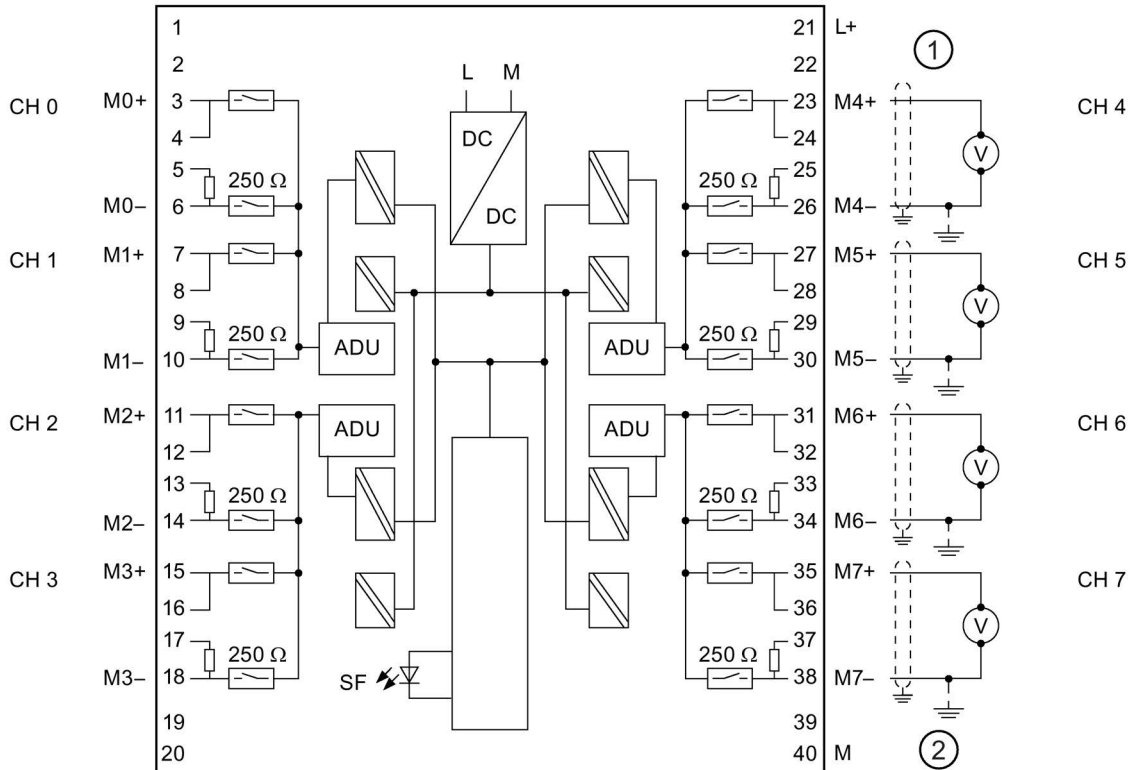
For information on diagnostic messages at the "group diagnostics" parameter, refer to the table *Diagnostic messages of analog input modules*.

Terminal assignment

The diagrams below show various wiring options

Wiring: Voltage and current measurement

Connection possible at both sides to channels 0 to 7



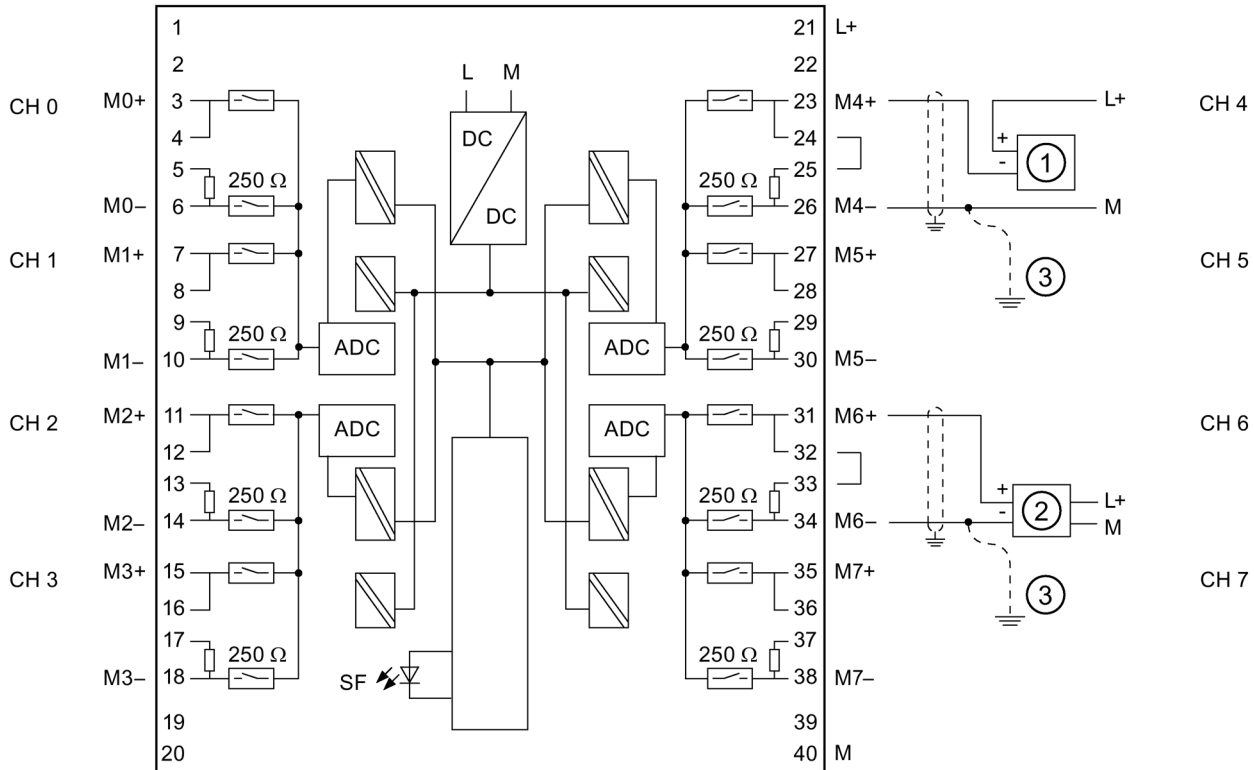
① Connection for voltage measurement

② Equipotential bonding

Figure 6-3 Wiring and block diagram

Wiring: 2-wire and 4-wire transducer

Connection possible at both sides to channels 0 to 7



- ① 2-wire transducer
- ② 4-wire transducer
- ③ Equipotential bonding

Figure 6-4 Wiring and block diagram

Technical specifications

Technical specifications	
Dimensions and weight	
Dimensions W x H x D (mm)	40 x 125 x 117
Weight	ca. 272 g
Module-specific data	
Supports parameter reassignment in RUN	Yes
Response of non-programmed inputs	Return the process value which was valid before configuration
Supports isochronous mode	no
Number of inputs	8
Cable length	max. 200 m
• shielded	

Technical specifications	
Voltages, currents, electrical potentials	
Rated electronics supply voltage L +	24 V DC
<ul style="list-style-type: none"> Reverse polarity protection 	yes
Electrical isolation	
<ul style="list-style-type: none"> between channels and the backplane bus between channels and electronics power supply between channels in groups of 	yes yes yes 2
Isolation test voltage	500 V AC
Current consumption	
<ul style="list-style-type: none"> from the backplane bus from supply voltage L+ 	max. 100 mA max. 200 mA
Power loss of the module	typ. 3.0 W
Generation of analog values	
Measuring principle	Integrating
Integration/conversion time/resolution (per channel)	
<ul style="list-style-type: none"> programmable Basic conversion time in ms (8-channel mode) Basic conversion time in ms (4-channel mode) Resolution, including sign Interference frequency suppression at frequency f1 in Hz 	yes 95/83/72/23 10 ^{1) 4)} 16 bits All ²⁾ /50/60/400
Measured value smoothing	None / low/ average/ high
Basic execution time of the module, in ms (8-channel-mode)	190/166/144//46
Basic execution time of the module, in ms (4-channel-mode)	10 ¹⁾
Interference frequency suppression, error limits	
Interference frequency suppression at $F = n \times (f1 \ 1\%)$ (f1 = interference frequency, n = 1, 2, ...)	
<ul style="list-style-type: none"> Common mode interference (VCM < AC 60 V) Series mode interference (peak value of disturbance < rated input range) 	> 100 dB > 90 dB ³⁾
Crosstalk between inputs	> 100 dB
Operational limit (across entire temperature range, relative to the measurement range end value in the selected input range)	
<ul style="list-style-type: none"> Input voltage Input current 	±0.1% ±0.1%
Basic error limit (operational limit at 25 °C, relative to the measurement range end value in the selected input range)	
<ul style="list-style-type: none"> Voltage input Current input 	±0.05% ±0.05%
Temperature error (relative to input range)	± 0.005%/K
Linearity error (relative to input range)	±0.01%
Repeat accuracy (in settled state at 25 °C, relative to measurement range end value in the input range)	±0.01%

Technical specifications	
Status, interrupts, diagnostics	
Interrupts	
<ul style="list-style-type: none"> Hardware interrupt when limit value is exceeded Hardware interrupt at end of cycle Diagnostic interrupt 	Programmable channels 0 to 7 programmable programmable
Diagnostic functions	programmable
<ul style="list-style-type: none"> Group error display Reading diagnostic information 	red LED (SF) supported
Encoder selection data	
Input range (rated values) / input impedance	
<ul style="list-style-type: none"> Voltage 	$\pm 5 \text{ V} / 2 \text{ M}\Omega$ $1 \text{ V to } 5 \text{ V} / 2 \text{ M}\Omega$ $\pm 10 \text{ V} / 2 \text{ M}\Omega$
<ul style="list-style-type: none"> Current 	$0 \text{ mA to } 20 \text{ mA} / 250 \Omega$ $4 \text{ mA to } 20 \text{ mA} / 250 \Omega$ $\pm 20 \text{ mA} / 250 \Omega$
Maximum voltage at voltage input (destruction limit)	35 V continuous; 75 V for max. duration of 1 s (duty factor 1:20)
Maximum current at current input (destruction limit)	40 mA
Wiring of the signal transmitters	
<ul style="list-style-type: none"> for voltage measurement for current measurement as 2-wire transducer as 4-wire transducer	supported possible, with separate transducer supply supported
<p>1) Interference frequency for 4-channel mode is "All"</p> <p>2) Interference frequencies 50/60/400 Hz are designated as "All"</p> <p>3) The series mode rejection in 8-channel mode is reduced as follows: 50 Hz > 70 db 60 Hz > 70 db 400 Hz > 80 dB 50/60/400 Hz > 90 dB</p> <p>4) In 4-channel mode, the converted value settles to 100% within 80 ms. The value determined in this process is returned at intervals of max. 10 ms.</p>	

Reassigning parameters in RUN

If you reassign parameters in RUN, the following special characteristic applies.

SF LED is lit:

If a diagnostics was pending prior to reconfiguration, the SF LEDs (on CPU, IM or module) may be lit even though diagnostics is no longer pending and the module is operating correctly.

Solution:

- Only assign new parameters if no diagnostics is pending, or
- unplug module and plug it in again.

6.4.1 Measurement types and measuring ranges

Introduction

The measurement type and range is configured at the "measuring type" parameter in *STEP 7*.

Table 6- 9 Measurement types and ranges

Selected type of measurement	Output range
Voltage V:	± 5 V, from 1 V to 5 V, ± 10 V
Current (4-wire transducer) 4DMU	0 mA to 20 mA 4 mA to 20 mA ± 20 mA

Channel groups

The channels of SM 331; AI 8 x 16 bits are arranged in four groups of two channels. You always assign parameters to a group. The interrupt limits form the exception.

The table below shows the relevant configuration of channel groups. The channel group number is required to program SFC parameters in the user program.

Table 6- 10 Assignment of SM 331; AI 8 x 16 Bit channels to channel groups

Channelsform one channel group each
Channel 0	Channel group 0
Channel 1	
Channel 2	Channel group 1
Channel 3	
Channel 4	Channel group 2
Channel 5	
Channel 6	Channel group 3
Channel 7	

6.4.2 Programmable parameters

Introduction

For information on programming analog modules, refer to the chapter Programming analog modules (Page 294).

Parameter

Table 6- 11 Overview of parameters of SM 331; AI 8 x 16 Bit

Parameters	Range of values	Defaults	Parameter type	Scope
Enable <ul style="list-style-type: none"> Process interrupt when limit value is exceeded Process interrupt at end of cycle Diagnostics interrupt 	yes/no yes/no yes/no	no no no	dynamic dynamic dynamic	Module
Process interrupt trigger <ul style="list-style-type: none"> High limit Low limit 	32511 to -32512 -32512 to 32511	- -	dynamic dynamic	Channel Channel
Diagnostics <ul style="list-style-type: none"> Group diagnostics Line continuity check 	yes/no yes/no	no no	static	Channel Channel
Measurement <ul style="list-style-type: none"> Module operating mode Noise suppression 	<ul style="list-style-type: none"> 8 channels 4 channels 50 Hz 60 Hz 400 Hz 50/60/400 Hz	yes no 50/60/400 Hz	dynamic	Module Channel group
<ul style="list-style-type: none"> Smoothing 	<ul style="list-style-type: none"> none weak medium strong 	none	dynamic	Channel group
<ul style="list-style-type: none"> Measurement type 	<ul style="list-style-type: none"> Measuring range: 		dynamic	Channel group
disabled				
Voltage	<ul style="list-style-type: none"> ± 5 V 1 V to 5 V ± 10 V 	± 10 V		
Current (4-wire transducer)	<ul style="list-style-type: none"> 0 mA to 20 mA 4 mA to 20 mA ± 20 mA 	4 mA to 20 mA		

See also

Diagnostics messages of analog input modules (Page 296)

Programming analog modules (Page 294)

6.4.3 Additional information for SM 331; AI 8 x 16 Bit

Modes of operation

Operating modes of SM 331; AI 8 x 16 Bit:

- 8-channel mode
- 4-channel mode

8-channel operating mode

In this mode, the module changes between the two channels of each group. Since the module contains four analog/digital converters (ADC), all four ADCs convert simultaneously for channels 0, 2, 4 and 6. After converting the channels with the even numbers, all ADCs simultaneously convert for the channels with the odd numbers 1, 3, 5 and 7 (see the figure below).

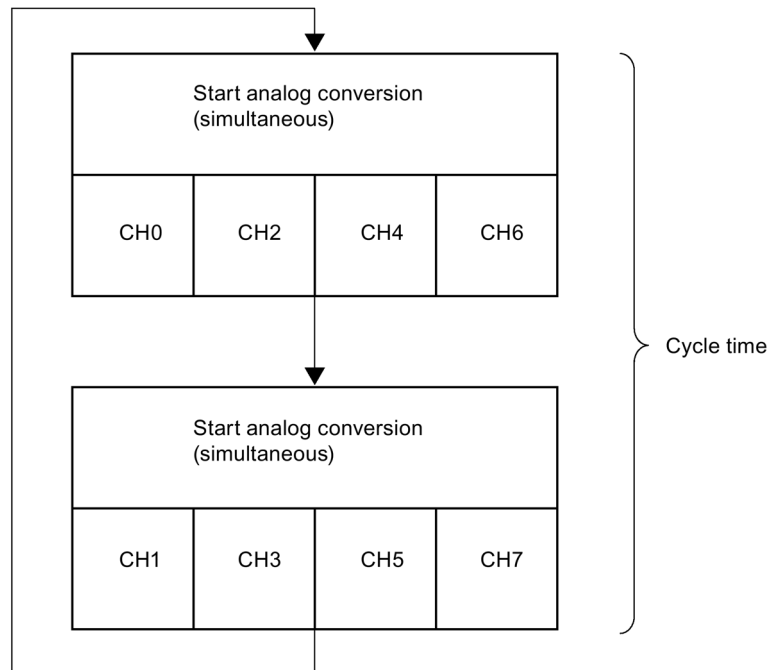


Figure 6-5 8-channel mode cycle time

Cycle time of module in 8-channel mode

The channel conversion time is based on the programmed noise suppression. The channel conversion time is 76 ms, including communication time, at a set interference frequency of 50 Hz. The channel conversion time is 65 ms when you set an interference frequency of 60 Hz. You can reduce channel conversion times to 16 ms by setting an interference frequency of 400 Hz. When you set 50, 60 and 400 Hz, the channel conversion time amounts to 88 ms. The module then has to switch to a different channel of the group by means of the OptoMOS relay. Opto-MOS relays require 7 ms for switching and settling. The following table shows this relationship.

Table 6- 12 Cycle times in 8-channel mode

Interference frequency (Hz)	Channel cycle time (ms)	Module cycle time (all channels)
50	83	166
60	72	144
400	23	46
50/60/400	95	190

4-channel operating mode

In this mode, the module does not change between the channels of the groups. The four ADCs of the module simultaneously convert the channels 0, 2, 4 and 6.

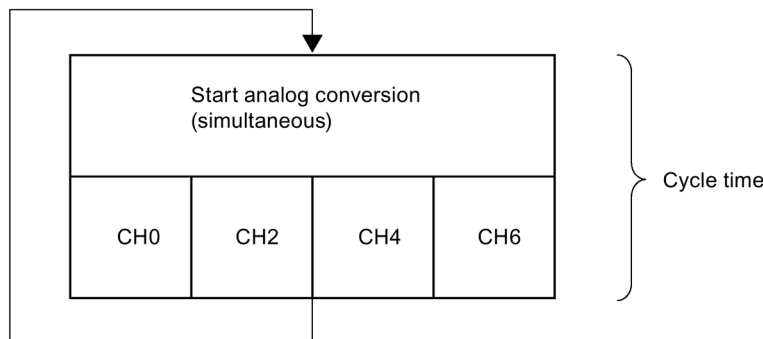


Figure 6-6 4-channel mode cycle time

Module cycle time

The converted value settles to 100% within 80 ms and is updated every 10 ms when 4-channel mode is set. The channel and module cycle times are always identical, because the module does not change between the channels of a group: 10 ms.

Channel conversion time = channel cycle time = module cycle time = 10 ms

Unused channels

Set the "disabled" value at the "measuring method" parameter for unused channels. This setting reduces module cycle times.

As certain programmed inputs may remain unused due to the channel group configuration in 8-channel mode, make allowances for the special features of these inputs outlined below to activate the diagnostics functions at the channels being used:

- **Measuring range 1 V to 5 V:** wire the used input and unused input of the same channel group in parallel.
- **Current measurement, 4 to 20 mA:** Connect unused input in series to the input of the same channel group. A shunt resistor must be connected for each programmed and unused channel.
- **Other measuring ranges:** Short-circuit the plus and minus inputs of the channel.

Line continuity check

The wire break test is available for the voltage measuring range 1 to 5 V and the current measuring range 4 to 20 mA.

When there is a configured measuring range of 1 to 5 V or 4 to 20 mA and the wire break test is **activated**, the analog input module reports a wire break in the diagnostics when underflow (-32768) is reached.

- The module also triggers a diagnostic interrupt if this function is enabled in the program.
- A wire break can only be signaled by means of the lit SF LED and the diagnostic bytes must be evaluated in the user program if diagnostic interrupts are disabled.

Under the following circumstances, wire-break detection can take up to 2 s:

- If a wire break occurs during voltage measurement.
- If a wire break occurs on the front-connector jumpers from shunt (250 Ω) to the inputs during current measurement.

The measured value can go through the entire valid value range during the wire break detection.

When there are configured measuring ranges ± 10 V, ± 5 V, 1 to 5 V or 4 to 20 mA, the wire break test is **not activated** and a diagnostic interrupt is enabled, the module triggers a diagnostic interrupt when the underflow is reached. The module detect the underflow when the input signal is below 0.296 V or 1.185 mA.

Overflow, underflow and hardware interrupt limits

The limits in diagnostics response to overflow and underflow in certain measuring ranges differ compared to the listed ranges starting at the chapter *Analog value representation for analog input channels* of the manual. In certain situations the numerical methods of the module software used to evaluate the process variables do not return values up to 32511.

Do not set any hardware interrupt limits higher than the lowest possible overflow or underflow response limits. End of cycle interrupt starting at the chapter *Analog value representation for analog input channels*.

End of cycle interrupt

You can synchronize a process with the conversion cycle of the module by enabling the end of cycle interrupt. The interrupt is set when enabled channels have been converted.

The table below shows the contents of the 4 bytes of additional OB40 information during process or end of cycle interrupts.

Content of the 4 bytes of additional information		27	26	25	24	23	2 ²	2 ¹	2 ⁰	Byte
Special analog flags	2 bits per channel to identify the range									
	High limit exceeded at channel	7	6	5	4	3	2	1	0	0
	Low limit exceeded at channel	7	6	5	4	3	2	1	0	1
	End of cycle event						X			2
	Free bit									3

Operation of the module on the ET 200M Distributed IO devices

Operation of SM 331; AI 8 x 16 Bit on ET 200M requires one of the following IM 153 x:

- IM 153-1; as of 6ES7153-1AA03-0XB0; E 01
- IM 153-2; as of 6ES7153-2AA02-0XB0; E 05
- IM 153-2; as of 6ES7153-2AB01-0XB0; E 04

Programming restrictions when operating SM 331; AI 8 x 16 Bit on PROFIBUS masters which only support DPV0

Certain parameters are not supported when operating an electrically isolated SM 331; AI 8 16 Bit analog input module on an ET200M PROFIBUS slave system in combination with a PROFIBUS master which is not an S7 master. Non-S7 masters do not support hardware interrupts. All parameters associated with these functions are disabled for this reason. This includes hardware interrupt enable, hardware restrictions and end the enabling of cycle interrupts. All other parameters are allowed.

6.5 Analog input module SM 331; AI 8 x 14 Bit High Speed; isochrone; (6ES7331-7HF0x-0AB0)

Order number

6ES7331-7HF00-0AB0 or 6ES7331-7HF01-0AB0

Properties

- 8 inputs in 4 channel groups
- Measurement type programmable for each channel group:
 - Voltage
 - Current
- Programmable resolution for each group (13 bits + sign)
- Any measuring range per channel group
- Programmable diagnostics and diagnostic interrupt
- Programmable limit value monitoring for 2 channels
- Programmable hardware interrupt when limit is exceeded
- High-speed update of measured values
- Supports isochronous mode
- Electrical isolation from the CPU
- Electrically isolated from load voltage (not for 2-wire transducers)

Diagnostics

For information on diagnostics messages at the "group diagnostics" parameter, refer to chapter Diagnostic messages of analog input modules (Page 296).

Hardware interrupts

Hardware interrupts for channel groups 0 and 1 can be programmed in STEP 7. However, set a hardware interrupt only for the first channel of a channel group, that is, either at channel 0, or at channel 2

Terminal assignment

The diagrams below show the various wiring options.

Wiring: Voltage measurement

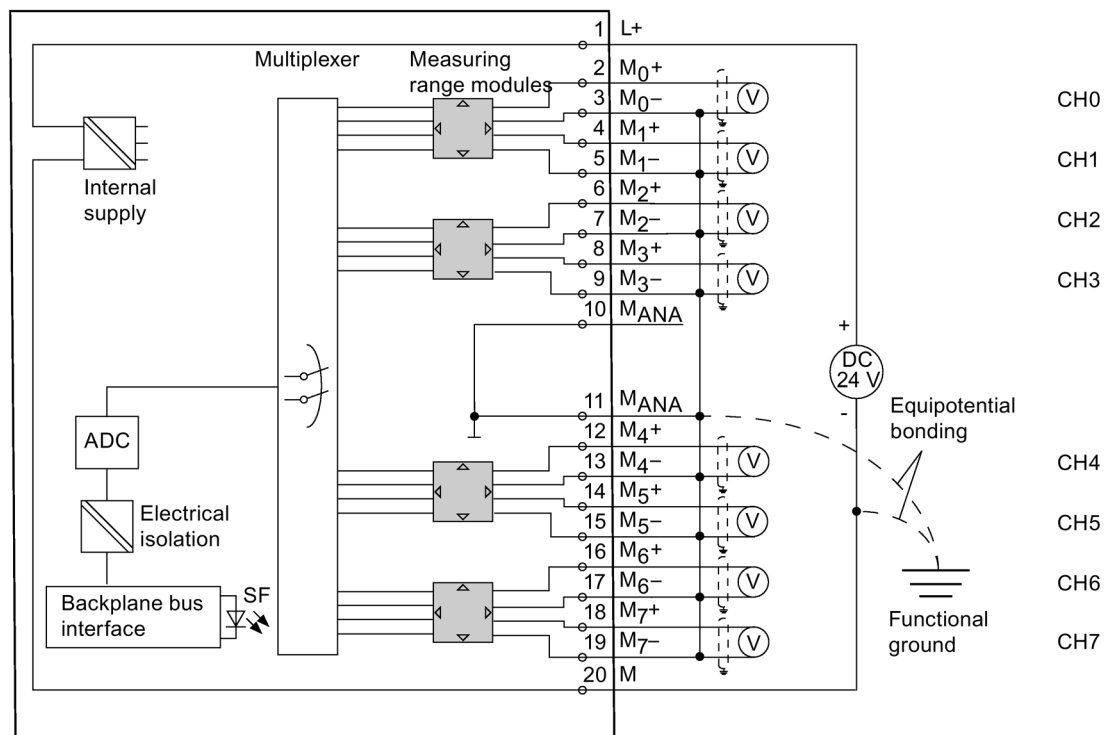


Figure 6-7 Block diagram and wiring diagram

Measuring range module settings

Measuring range	Measuring range module setting
± 1V	A
± 5V	B
± 10V	B (Default)
1 V to 5V	B

Wiring: 2-wire and 4-wire transducers for current measurement

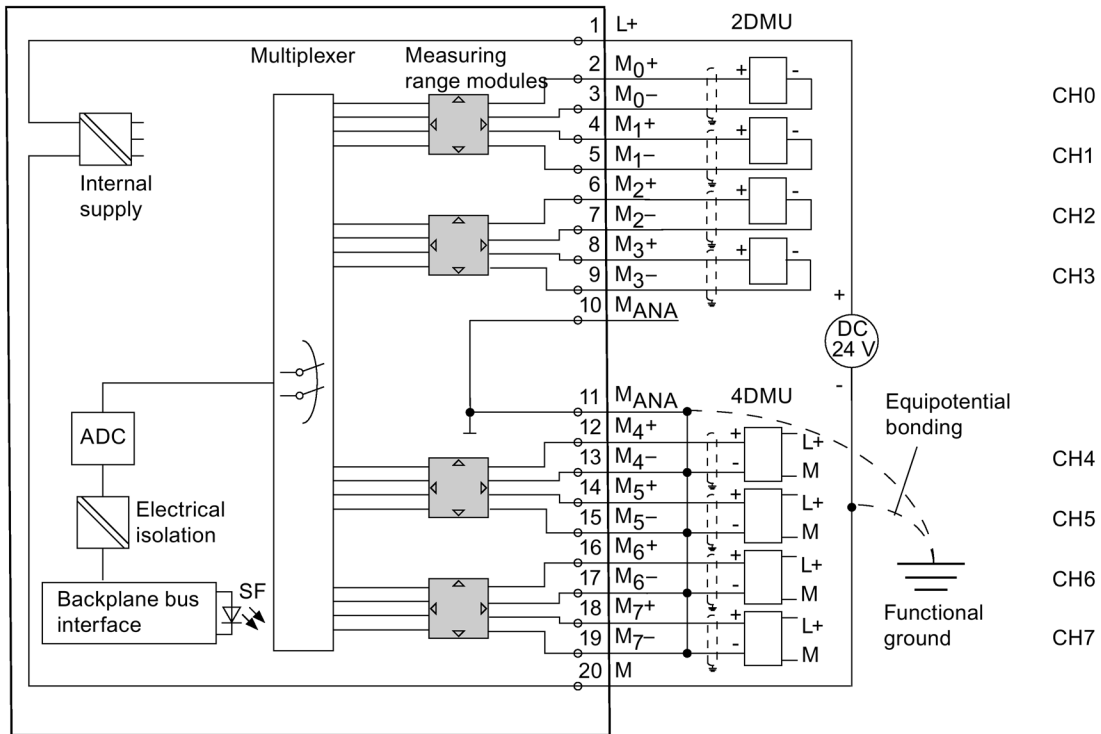


Figure 6-8 Block diagram and wiring diagram

Measuring range module settings

Measuring range		Measuring range module setting
2-wire transducer	4 mA to 20mA	D
4-wire transducer	± 20mA	C
	0 mA to 20mA	
	4 mA to 20mA	

Technical specifications

Technical specifications	
Dimensions and weight	
Dimensions W x H x D (mm)	40 x 125 x 117
Weight	ca. 230 g
Module-specific data	
Supports isochronous mode	yes
Number of inputs	8
Cable length	max. 200 m
<ul style="list-style-type: none"> shielded 	
Voltages, currents, electrical potentials	
Rated electronics supply voltage L +	24 V DC
<ul style="list-style-type: none"> Reverse polarity protection 	yes
Transducer power supply	
<ul style="list-style-type: none"> Supply current short circuit-proof 	max. 30 mA (per channel) yes
Electrical isolation	
<ul style="list-style-type: none"> between channels and the backplane bus between channels between channels and electronics power supply 	yes no yes
Maximum potential difference	
<ul style="list-style-type: none"> between inputs and M_{ANA} (CMV) <ul style="list-style-type: none"> at signal = 0 V not for 2-wire transducers between inputs (CMV) 	11 V DC / 8 V AC 11 V DC / 8 V AC
Isolation test voltage	
<ul style="list-style-type: none"> Channels to backplane bus and load voltage L + 	500 V DC
Current consumption	
<ul style="list-style-type: none"> from the backplane bus from load voltage L + (without 2-wire transducer) 	max. 100 mA max. 50 mA
Power loss of the module	
	typ. 1.5 W

Technical specifications				
Generation of analog values				
Measuring principle	Actual value conversion			
Integration/conversion time/resolution (per channel)				
• programmable	yes			
• Basic conversion time per channel	52 μ s			
• Resolution (including overshoot range)	14 bits			
• Interference frequency suppression at interference frequency f1 in Hz	none	400	60	50
• Basic execution time of the module (independent of the number of enabled channels)	0.42 ms	2.5 ms	16.7 ms	20 ms
Interference frequency suppression, error limits				
Interference frequency suppression at $f = n (f1 \pm 1 \%)$, ($f1 =$ interference frequency) $n=1.2\dots$				
• Common mode interference ($CMV < 11 V_{pp}$)	> 80 dB			
• Series-mode interference (peak value < rated input range)	> 40 dB			
Crosstalk between inputs	> 65 dB			
Operational limit (across entire temperature range, relative to measurement range end value in the selected input range)				
• Voltage input	$\pm 1 V$ $\pm 5 V$ $\pm 10 V$ 1 V to 5 V	$\pm 0.3 \%$ $\pm 0.4 \%$ $\pm 0.3 \%$ $\pm 0.4 \%$		
• Current input	$\pm 20 mA$ 0 mA to 20 mA 4 mA to 20 mA	$\pm 0.3 \%$ $\pm 0.3 \%$ $\pm 0.3 \%$		
Basic error limit (operational limit at 25 °C, relative to the measurement range end value in the selected input range)				
• Voltage input	$\pm 1 V$ $\pm 5 V$ $\pm 10 V$ 1 V to 5 V	$\pm 0.2 \%$ $\pm 0.25 \%$ $\pm 0.2 \%$ $\pm 0.25 \%$		
• Current input	$\pm 20 mA$ 0 mA to 20 mA 4 mA to 20 mA	$\pm 0.2 \%$ $\pm 0.2 \%$ $\pm 0.2 \%$		
Temperature error (relative to input range)	$\pm 0.004 \%/K$			
Linearity error (relative to input range)	$\pm 0.03 \%$			
Repeat accuracy (in settled state at 25 °C, relative to input range)	$\pm 0.1 \%$			

Technical specifications		
Status, interrupts, diagnostics		
Interrupts		
<ul style="list-style-type: none"> Hardware interrupt Diagnostic interrupt 	programmable	programmable
Diagnostic functions		
<ul style="list-style-type: none"> Group error display Reading diagnostics information 	red LED (SF)	supported
Encoder selection data		
Input ranges (rated values) / input impedance		
<ul style="list-style-type: none"> Voltage 	± 1 V	10 MΩ
	± 5 V	100 kΩ
	± 10 V	100 kΩ
	1 V to 5 V	100 kΩ
<ul style="list-style-type: none"> Current 	± 20 mA	50 Ω
	0 mA to 20 mA	50 Ω
	4 mA to 20 mA	50 Ω
Maximum voltage at voltage input (destruction limit)	max. 20 V continuous; 75 V for the duration of max. 1 s (duty factor 1:20)	
Maximum current at current input (destruction limit)	40 mA	
Wiring of the signal transmitters	using a 20-pin front connector	
<ul style="list-style-type: none"> for voltage measurement for current measurement 	supported	
as 2-wire transducer	supported	
as 4-wire transducer	supported	
<ul style="list-style-type: none"> Load of the 2-wire transducer at L+ = DC 24 V 	max. 820 Ω	
Characteristics linearization	none	

6.5.1 Measurement types and measuring ranges

Introduction

The analog input module has measuring range modules. The measurement type and range is configured at the "measuring range" parameter in *STEP 7*.

The default setting of the module *STEP 7* is "voltage" measurement with "± 10V" range. You can use those default settings without having to program the SM 331; AI 8 x 14 Bit High Speed in *STEP 7*.

Measuring range modules

You may have to change the position of the measuring range module to suit the measurement type and range. See table *Setting measuring methods and ranges of analog input channels*. The settings are also printed on the module. Mark the position of the measuring range module on the front door (see figure).

Range:

A	B
C	D

Measurement types and measuring ranges

Table 6- 13 Measurement types and ranges

Selected type of measurement	Measuring range (type of sensor)	Measuring range module settings
V: Voltage	± 1 V	A
	± 5 V	B
	1 V to 5 V	
	± 10 V	
4DMU: Current (4-wire transducer)	0 mA to 20 mA	C
	4 mA to 20 mA	
	± 20 mA	
2DMU: Current (2-wire transducer)	4 mA to 20 mA	D

Channel groups

The channels of SM 331; AI 8 x 14 Bit High Speed are arranged in four groups of two channels. You can assign parameters only to one channel group.

SM 331; AI 8 x 14 bits High Speed is equipped with one measuring range module per channel group.

The table below shows the relevant configuration of channel groups. The channel group number is required to program SFC parameters in the user program.

Table 6- 14 Assignment of SM 331; AI 8 x 14 bits High Speed channels to channel groups

Channels form one channel group each
Channel 0	Channel group 0
Channel 1	
Channel 2	Channel group 1
Channel 3	
Channel 4	Channel group 2
Channel 5	
Channel 6	Channel group 3
Channel 7	

6.5.2 Programmable parameters

Introduction

For information on programming analog modules, refer to the chapter Programming analog modules (Page 294).

Parameter

Table 6- 15 Overview of parameters for SM 331; AI 8 x 14 Bit High Speed

Parameters	Range of values	Default	Parameter type	Scope
Enable <ul style="list-style-type: none"> • Diagnostics interrupt • Process interrupt when limit exceeded 	yes/no yes/no	no no	dynamic	Module
Fast Mode (can only be set if the 331-7HF01 is included for isochronous operation in the DP slave properties)	yes/no	no	static	Module
Process interrupt trigger <ul style="list-style-type: none"> • High limit • Low limit 	May be restricted by the measuring range. from 32511 to - 32512 from - 32512 to 32511	-	dynamic	Channel
Diagnostics <ul style="list-style-type: none"> • Group diagnostics 	yes/no	no	static	Channel group
Measurement <ul style="list-style-type: none"> • Measurement type 	disabled Voltage V 4DMU current (4-wire transducer) 2DMU current (2-wire transducer)	V	dynamic	Channel or channel group
• Measuring range	See the table <i>Measurement types and ranges</i>	± 10 V		
• Noise suppression	none; 400 Hz; 60 Hz; 50 Hz	50 Hz		

6.5.3 Isochronous mode

Properties

Reproducible reaction times (i.e. of the same length) are achieved in a SIMATIC system by means of a constant DP bus cycle, and synchronization of the single cyclic processes outlined below:

- Independent user program cycle. The length of the cycle time may vary due to non-cyclic program branching.
- Independent and variable DP cycle on the PROFIBUS subnet
- Cyclic operation of the backplane bus of the DP slave.
- Cyclic signal preparation and conversion at the electronic modules of the DP slave.

The constant DP cycle runs in synchronism and at the same length. The CPU run levels (OB61 to OB64) and isochronous IO are synchronized with this cycle. I/O data are therefore transferred at defined and constant intervals (isochronous mode.)

Requirements

- The DP master and slave must support isochronous mode. You require *STEP 7* V5.2 or higher.

Mode of operation: Isochronous mode

Table 6- 16 Conditions of isochronous mode:

Standard Mode	
Filtering and processing time T_{WE} between reading actual values and writing these to the transfer buffer (the value defined for T_{WE} applies, irrespective of the enable status of diagnostics)	max. 625 μ s
including an input delay time of	10 μ s
T_{DPmin}	3.5 ms
Diagnostics interrupt	max. 4 x T_{DP}
Fast Mode (only possible with 6ES7331-7HF01-0AB0)	
Filter and processing time T_{WE} between reading actual value and writing the results to the transfer buffer (diagnosis not selectable)	max. 625 μ s
including an input delay time of	10 μ s
T_{DPmin}	1 ms

Note

You can accelerate the cycle of your DP system by setting "Fast Mode." However, this is at the expense of diagnostics: Diagnostics functions will be disabled in this operating mode.

The minimum T_i value of 875 μs which you can set in *HW Config* is derived from the defined T_{WE} value plus calculation and transfer times required by the IM 153.

The specified T_{DPmin} value is determined by the size of the DP slave/IM 153 configuration: Of the diverse installed modules, the slowest always determines the time T_{DPmin} .

Note

When operated in "isochronous" mode, the modules automatically sets "Integration time: none/interference frequency", irrespective of parameter settings in *STEP 7*. none / interference frequency". "Process interrupt" functionality is not available in "isochronous" mode.

Calculation of filter and processing times

The same time conditions always apply, regardless of the number of configured channels. The time relative to the clock signal for reading a specific channel is calculated according to the formula:

$$T_{WE_CH} = (\text{channel number} + 1) \times 52 \mu\text{s} + t_v; t_v = 119 \text{ to } 209 \mu\text{s}$$

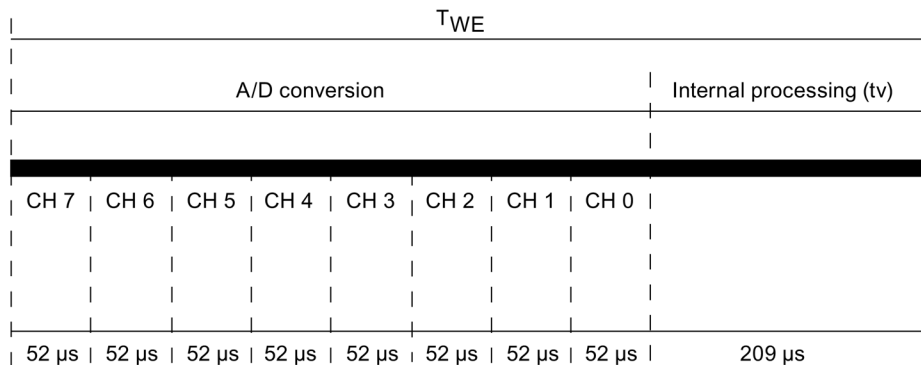


Figure 6-9 Calculation of filter and processing times

Definition of isochronous mode

The module starts with the analog-to-digital conversion of channel 7, and saves the result internally. Next, it converts channels 6...0 sequentially at intervals of 52 ms and in the same way. After an additional internal processing time, it outputs the result of all converted channels to the backplane bus interface where it can be fetched by the CPU.

Further information

You can find additional information on isochronous mode in the online help for *STEP 7*, and in the operating instructions Distributed I/O System ET 200M (<http://support.automation.siemens.com/WW/view/en/1142798>).

6.5.4 Additional information on SM 331; AI 8 x 14 Bit High Speed, isochrone

Unused channels

You should wire unused channels as shown in the following table. This optimizes interference immunity of the analog input module.

Measuring range	M+ / M-	M_ana
Voltage	short-circuit	connect with M-
Current / 4-wire transducer	leave open	connect with M-
Current / 2-wire transducer	leave open	connect with M

As certain programmed inputs may remain unused due to the channel group configuration, make allowances for the special features of these inputs outlined below in order to be able to use the diagnostics functions at these used channels:

- **Measuring range 1 V to 5 V:** wire the used input and unused input of the same channel group in parallel.
- **Current measurement, 2-wire transducer:** There are two options of wiring the channel circuit.
 - a) Open unused inputs; channel group diagnostics disabled. If you were to enable diagnostics, the analog module would trigger a single diagnostic interrupt, and light up its SF LED.
 - b) Loading the unused input using a 1.5 k Ω to 3.3 k Ω resistor. This allows you to enable diagnostics for this channel group.
- **Current measurement 4 mA to 20 mA, 4-wire transducer:** wire the used input and unused input of the same channel group in series.

Line continuity check for the 4 mA to 20 mA measuring range

If you configured a measuring range of 4 mA to 20 mA, and **enabled the line continuity check**, the analog input module logs a wire-break event to diagnostics data when the current drops below 1.185 mA.

The module also triggers a diagnostics interrupt if this function is enabled in the program.

A wire break can only be signaled by means of the lit SF LED and the diagnostic bytes must be evaluated in the user program if diagnostics interrupts are disabled.

If you configured a measuring range of 4 mA to 20 mA, **disabled** the line continuity check, and enabled diagnostic interrupts, the module triggers a diagnostic interrupt when the underflow value is reached.

6.6 Analog input module SM 331; AI 8 x 13 Bit; (6ES7331-1KF02-0AB0)

Order number

6ES7331-1KF02-0AB0

Properties

- 8 inputs in 8 channel groups
- Programmable resolution for each group (12 bits + sign)
- Measurement type programmable for each channel group:
 - Voltage
 - Current
 - Resistance
 - Temperature
- Any measuring range per channel
- Motor protection / temperature monitoring with PTC in accordance with IEC 60034-11-2 type A
- Temperatures recorded via KTY83/110, KTY84/130 silicon temperature sensors

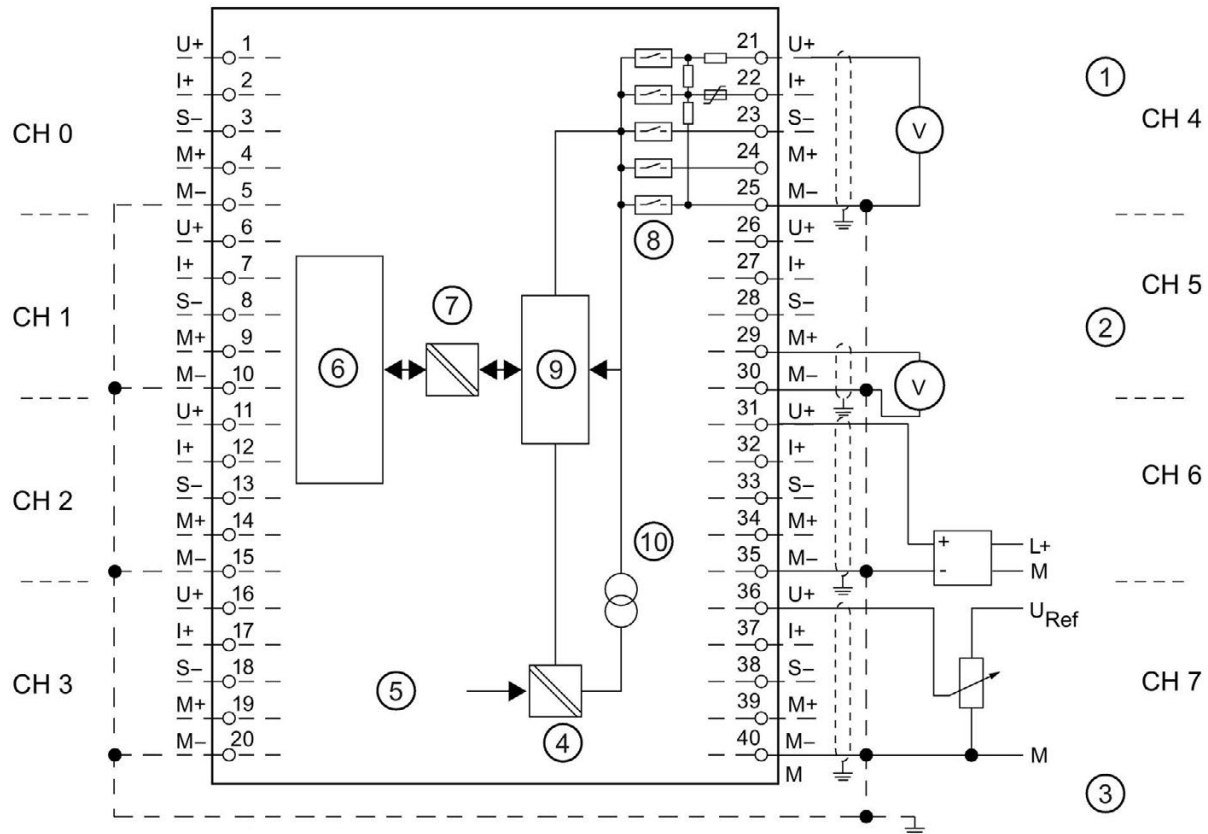
Terminal assignment

The diagrams below show various wiring options. These examples apply to all channels (channel 0 to 7).

Note

When connecting voltage and current transducers, make sure that the maximum permitted common-mode voltage C_{MV} of 2 V is not exceeded between the inputs. Prevent measuring errors by interconnecting the corresponding M- terminals.

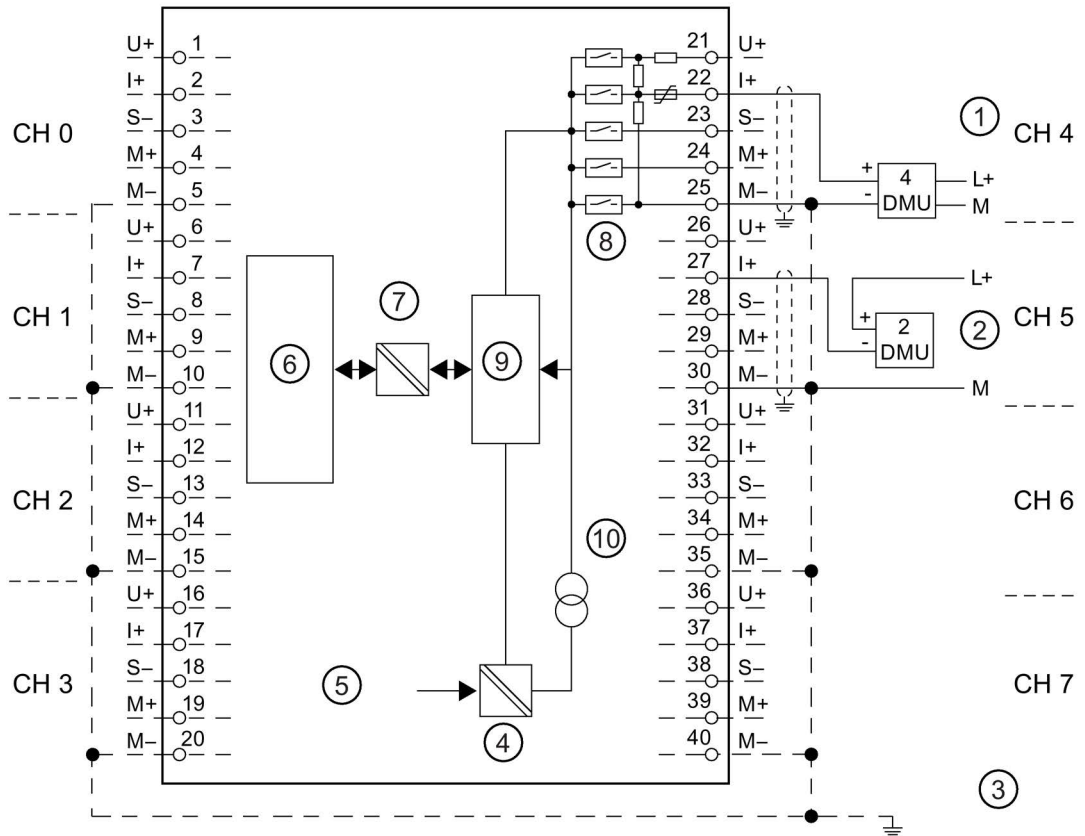
Wiring: Voltage measurement



- ① Voltage measurement: ($\pm 5V$, $\pm 10V$, 1 ... 5V, 0...10V)
- ② Voltage measurement ($\pm 50\text{ mV}$, $\pm 500\text{ mV}$, $\pm 1\text{ V}$) (note the input resistance defined in the technical data)
- ③ Equipotential bonding
- ④ Internal supply
- ⑤ + 5 V from backplane bus
- ⑥ Logic and backplane bus interface
- ⑦ Electrical isolation
- ⑧ Multiplexer
- ⑨ Analog to Digital Converter (ADC)
- ⑩ Current source

Figure 6-10 Block diagram and terminal diagram

Wiring: 2-wire and 4-wire transducers for current measurement

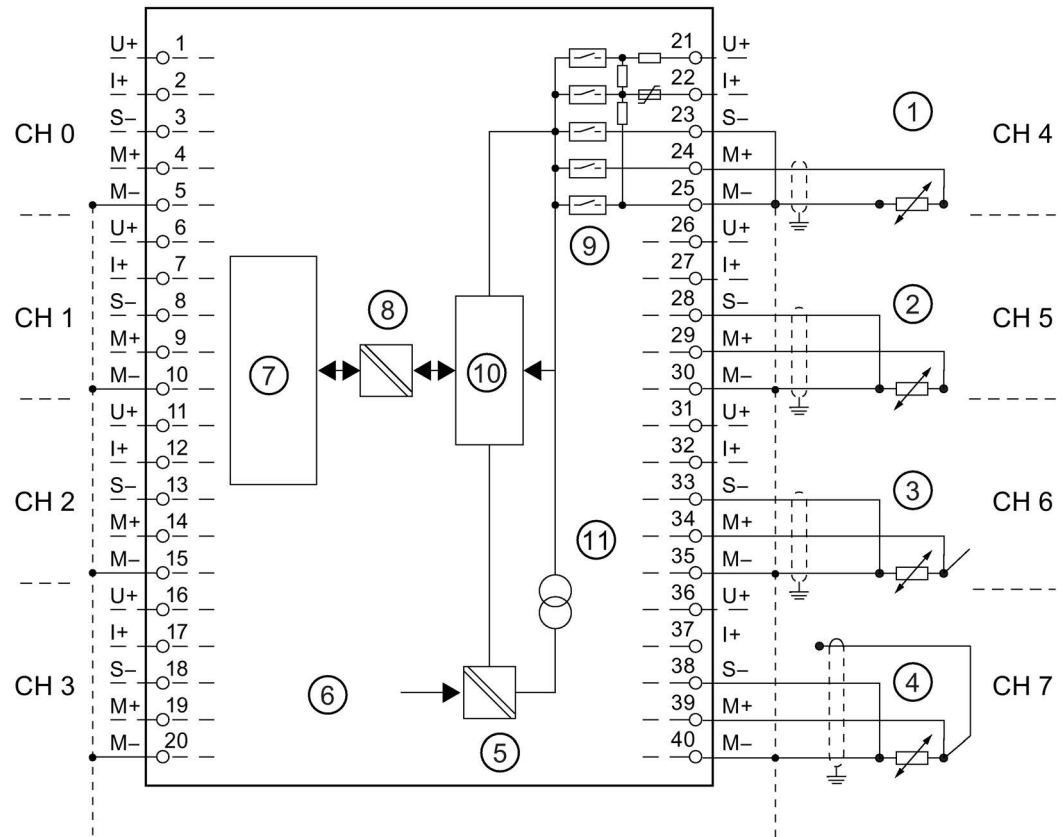


- ① 4-wire transducer (0/4 mA to 20 mA or ± 20 mA)
- ② 2-wire transducer (4 mA to 20 mA)
- ③ Equipotential bonding
- ④ Internal supply
- ⑤ + 5 V from backplane bus
- ⑥ Logic and backplane bus interface
- ⑦ Electrical isolation
- ⑧ Multiplexer
- ⑨ Analog to Digital Converter (ADC)
- ⑩ Current source

Figure 6-11 Block diagram and wiring diagram

Wiring: Resistance measurement with 2-, 3- and 4-wire connection

The following connection possibilities also apply to silicon temperature sensors and PTCs.



- ① 2-wire connection. Insert a bridge between M and S (no line resistance compensation).
- ② 3-wire connection
- ③ 4-wire connection. The fourth line may not be wired (remains unused)
- ④ 4-wire connection. The fourth line is routed to the terminal strip in the cabinet but is not wired.
- ⑤ Internal supply
- ⑥ + 5 V from backplane bus
- ⑦ Logic and backplane bus interface
- ⑧ Electrical isolation
- ⑨ Multiplexer
- ⑩ Analog to Digital Converter (ADC)
- ⑪ Current source

Figure 6-12 Block diagram and terminal diagram

Note

It is not necessary to interconnect the M- terminals when measuring using resistors, resistance thermometers, PTCs, or silicon temperature sensors. However, interconnection of the M- terminals may enhance interference immunity.

Technical specifications

Technical specifications		
Dimensions and weight		
Dimensions W x H x D (mm)	40 x 125 x 117	
Weight	ca. 250 g	
Module-specific data		
Supports isochronous mode	no	
Number of inputs	8	
• with resistive transducers	8	
Cable length		
• shielded	max. 200 m max. 50 m at 50 mV	
Voltages, currents, electrical potentials		
Constant current for resistive transducers		
• Resistance thermometer and resistance measurements 0 Ω to 600 Ω	0.83 mA (pulsed)	
• Resistance measurement 0 to 6 kΩ, PTC, silicon temperature sensors	0.25 mA (pulsed)	
Electrical isolation		
• between channels and the backplane bus	yes	
• between channels	no	
Maximum potential difference		
• between inputs (CMV)	2.0 V DC	
Isolation test voltage	500 V DC	
Current consumption		
• from the backplane bus	max. 90 mA	
Power loss of the module	typ. 0.4 W	
Generation of analog values		
Measuring principle	Integrating	
Integration/conversion time/resolution (per channel)		
• programmable	yes	
• Interference frequency suppression at interference frequency f1 in Hz	50	60
• Integration time in ms	60	50
• Basic conversion time, including the integration time in ms	66	55
Additional conversion time for resistance measurements in ms	66	55
• Resolution in bits (including overshoot range)	13 bits	13 bits

Technical specifications		
Interference frequency suppression, error limits		
Interference frequency suppression at $f = n$ ($f_1 \pm 1\%$), (f_1 = interference frequency) $n=1.2$		
<ul style="list-style-type: none"> Common mode interference ($V_{CM} < 2\text{ V}$) Seriesmode interference (peak value < rated input range) 	> 86 dB > 40 dB	
Crosstalk between inputs	> 50 dB	
Operational limit (across entire temperature range, relative to the measurement range end value in the selected input range)		
<ul style="list-style-type: none"> Voltage input 	$\pm 5\text{ V}$	$\pm 0.6\%$
	$\pm 10\text{ V}$ 1 V to 5 V 0 V to 10 V $\pm 50\text{ mV}$ $\pm 500\text{ mV}$ $\pm 1\text{ V}$	$\pm 0.5\%$
<ul style="list-style-type: none"> Current input 	$\pm 20\text{ mA}$ 0 mA to 20 mA 4 mA to 20 mA	$\pm 0.5\%$
<ul style="list-style-type: none"> Resistor/PTC 	0 k Ω to 6 k Ω	$\pm 0.5\%$
	0 Ω to 600 Ω	$\pm 0.5\%$
	PTC	$\pm 0.5\%$
<ul style="list-style-type: none"> Resistance thermometer/silicon temperature sensors 	Pt 100 Ni 100 Standard	$\pm 1.2\text{ K}$
	Pt 100 Ni 100 Klima	$\pm 1\text{ K}$
	Ni 1000, LG-Ni 1000 Standard	$\pm 1\text{ K}$
	Ni 1000 LG-Ni 1000 Klima	$\pm 1\text{ K}$
	KTY83/110	$\pm 3.5\text{ K}$
	KTY84/130	$\pm 4.5\text{ K}$

Technical specifications		
Basic error limit (operational limit at 25 °C, relative to the measurement range end value in the selected input range)		
• Voltage input	± 5 V	± 0.4 %
	± 10 V 1 V to 5 V 0 V to 10 V ± 50 mV ± 500 mV ± 1 V	± 0.3 %
• Current input	± 20 mA 0 to 20 mA 4 mA to 20 mA	± 0.3 %
• Resistor/PTC	0 kΩ to 6 kΩ	± 0.3 %
	0 Ω to 600 Ω	± 0.3 %
	PTC	± 0.3 %
• Resistance thermometer/silicon temperature sensors	Pt 100 Ni 100 Standard	± 1 K
	Pt 100 Ni 100 Klima	± 0.8 K
	Ni 1000 LG-Ni 1000 Standard	± 0.8 K
	Ni 1000 LG-Ni 1000 Klima	± 0.8 K
	KTY83/110	± 2 K
	KTY84/130	± 2.7 K
Temperature error (relative to input range)	± 0.006 %/K / 0.006 K/K	
Linearity error (relative to input range)	± 0.1 % / 0.1 K	
Repeat accuracy (in transient state at 25 °C, relative to input range)	± 0.1 % / ± 0.1 K	
Status, interrupts, diagnostics		
Interrupts	none	
Diagnostic functions	none	

Technical specifications		
Encoder selection data		
Input ranges (rated values) / input impedance		
<ul style="list-style-type: none"> Voltage 	<ul style="list-style-type: none"> ± 50 mV ± 500 mV ± 1 V ± 5 V ± 10 V 1 V to 5 V 0 V to 10 V 	100 k Ω
<ul style="list-style-type: none"> Current 	<ul style="list-style-type: none"> ± 20 mA 0 mA to 20 mA 4 mA to 20 mA 	100 Ω
<ul style="list-style-type: none"> Resistor/PTC 	<ul style="list-style-type: none"> 0 kΩ to 6 kΩ 0 Ω to 600 Ω PTC 	100 M Ω
<ul style="list-style-type: none"> Resistance thermometer/silicon temperature sensors 	<ul style="list-style-type: none"> Pt 100 Ni 100 Ni 1000 LG-Ni 1000 Standard / Klima KTY83/110 KTY84/130 	100 M Ω
Maximum voltage at voltage input U+ (destruction limit)	max. 30 V, continuous	
Maximum voltage at voltage inputs M+, M-, S- (destruction limit)	max. 12 V continuous; 30 V for a duration of max. 1 s	
Maximum current at current input I+ (destruction limit)	40 mA	
Wiring of the signal transmitters	using a 40pin front connector	
<ul style="list-style-type: none"> for voltage measurement for current measurement <ul style="list-style-type: none"> – as 2-wire transducer – as 4-wire transducer 	<ul style="list-style-type: none"> supported supported, with external supply supported 	
<ul style="list-style-type: none"> for resistance measurement with 2-wire connection with 3-wire connection with 4-wire connection	<ul style="list-style-type: none"> supported supported supported 	
Characteristics linearization	programmable	
<ul style="list-style-type: none"> for resistance thermometers 	<ul style="list-style-type: none"> Pt 100 Standard / Klima Ni 100 Standard / Klima Ni 1000 Standard / Klima LG-Ni 1000 Standard / Klima 	
<ul style="list-style-type: none"> Technical unit of temperature measurement 	Degrees Centigrade, degrees Fahrenheit, Kelvin	

6.6.1 Measurement types and measuring ranges

Introduction

The measurement type and range is configured at the "measuring type" parameter in *STEP 7*.

Selected type of measurement	Measuring range
Voltage V:	± 50 mV ± 500 mV ± 1 V ± 5 V 1 V to 5 V 0 V to 10 V ± 10 V
Current I	0 mA to 20 mA 4 mA to 20 mA ± 20 mA
resistance (4-wire connection) R-4L	6 kΩ 600 Ω PTC
Thermal resistance RTD-4L (linear, 4-wire connection) (temperature measurement) Silicon temperature sensors	Pt 100 Klima / Standard Ni 100 Klima / Standard Ni 1000 Klima / Standard LG-Ni 1000 Klima / Standard KTY83/110 KTY84/130

6.6.2 Programmable parameters

Introduction

You will find a description of the general procedure for assigning parameters to analog modules in section Programming analog modules (Page 294).

Parameter

Table 6- 17 Overview of the parameters of SM 331; AI 8 x 13 Bit

Parameters	Range of values	Default	Parameter type	Scope
Measurement				
• Measurement type	disabled Voltage V Current I Resistance R, PTC Thermal resistance RTD, silicon temperature sensors	V	dynamic	Channel
• Measuring range	Voltage ± 50 mV; ± 500 mV; ±1 V; 1 V to 5 V ± 5 V; 0 V to 10 V; ± 10 V	± 10 V		
	Current 0 mA to 20 mA; 4 mA to 20 mA; ± 20 mA	± 20 mA		
	Resistance 0 Ω to 600 Ω; 0 kΩ to 6 kΩ; PTC	600 Ω		
	Thermoelectric resistance (linear) Pt 100 Klima / Standard Ni 100 Klima / Standard Ni 1000 Klima / Standard LG-Ni 1000 Klima / Standard KTY83/110 KTY84/130	Pt 100 Standard		
• Temperature coefficient	Pt 100 0.003850 Ω/Ω/ °C (IST-90) Ni 100 / Ni 1000 0.006180 Ω/Ω/ °C LG-Ni 1000 0.005000 Ω/Ω/ °C	0,003850		
• Interference frequency suppression	50 Hz; 60 Hz	50 Hz		Module
• Temperature unit	Degrees Centigrade, degrees Fahrenheit, Kelvin*	degrees Centigrade		
* only Pt 100 Standard, Ni 100 Standard, Ni 1000 Standard, LG-Ni 1000 Standard				

6.6.3 Additional information on SM 331; AI 8 x 13 Bit

Using the module

The spare parts of the SM 331-1KF02 are compatible with the SM 331-1KF01 and are configured with HSP 2067. HSP 2067 can be installed for STEP7 V5.4, SP5 and higher and is included for STEP7 V5.4, SP6 and higher.

Unused channels

Set the "disabled" value at the "measurement type" parameter for unused channels. This setting reduces module cycle times.

Interconnect the M- terminals of unused channels.

Using PTC resistors

PTCs are suitable for monitoring the temperature of or providing thermal protection for complex drives and transformer windings. The module has no analog values when PTC resistances are used. Status information on fixed temperature ranges are displayed instead of analog values.

- When setting the parameters, select measurement type R "Resistance" and measuring range "PTC".
- Connect the PTC (see "Terminal diagram for resistance measurement").
- Use PTC resistors that comply with IEC 60034-11-2 (previously, PTC thermistors that complied with DIN/VDE 0660, Part 302).
- Sensor data for the PTC resistor:

- Notes on programming

Note

Only bits 0 and 2 in the process image input are relevant for evaluation. You can use bits 0 and 2 to monitor the temperature of a motor, for example.

Bits 0 and 2 in the process image input cannot be saved. When assigning parameters, make sure that the motor, for example, starts up in a controlled manner (by means of an acknowledgment).

Bits 0 and 2 can never be set at the same time; they are set one after the other.

Using silicon temperature sensors

Silicon temperature sensors are commonly used to detect temperatures in motors.

- When assigning the parameters, select measurement type "thermoresistor" and measuring range "KTY83/110" or "KTY84/130".
- Connect the temperature sensor (see "Terminal diagram for resistance measurement").

Use temperature sensors which comply with the Product Specifications published by Philips Semiconductors.

- KTY83 series (KTY83/110)
- KTY84 series (KTY84/130)

Also take note of the accuracy of the temperature sensors.

The temperature is specified in 0.1 degrees C, 0.1 degrees K, and/or 0.1 degrees F, see section Representation of the values for analog input channels (Page 262).

6.7 Analog input module SM 331; AI 8 x 12 bit;(6ES7331-7KF02-0AB0)

6.7.1 Analog input module SM 331; AI 8 x 12 bit;(6ES7331-7KF02-0AB0)

Order number

6ES7331-7KF02-0AB0

Properties

- 8 inputs in 4 channel groups
- Programmable measurement type at each channel group
 - Voltage
 - Current
 - Resistance
 - Temperature
- Programmable resolution at each channel group (9/12/14 bits + sign)
- Any measuring range selection per channel group
- Programmable diagnostics and diagnostic interrupt
- Programmable limit value monitoring for 2 channels
- Programmable hardware interrupt when limit is exceeded
- Electrically isolated to CPU and load voltage (not for 2-wire transducers)

Resolution

The resolution of measured values is directly dependent of the selected integration time. In other words, the longer the integration time for an analog input channel, the higher the resolution of a measured value.

Diagnostics

For information on diagnostics messages at the "group diagnostics" parameter, refer to chapter Diagnostic messages of analog input modules.

Hardware interrupts

Hardware interrupts for channel groups 0 and 1 can be programmed in *STEP 7*. However, set a hardware interrupt only for the first channel of a channel group, that is, either at channel 0, or at channel 2

Terminal assignment

The diagrams below show various wiring options. The input impedance depends on the setting of the measuring range module, see table *Measurement types and ranges*.

Wiring: Voltage measurement

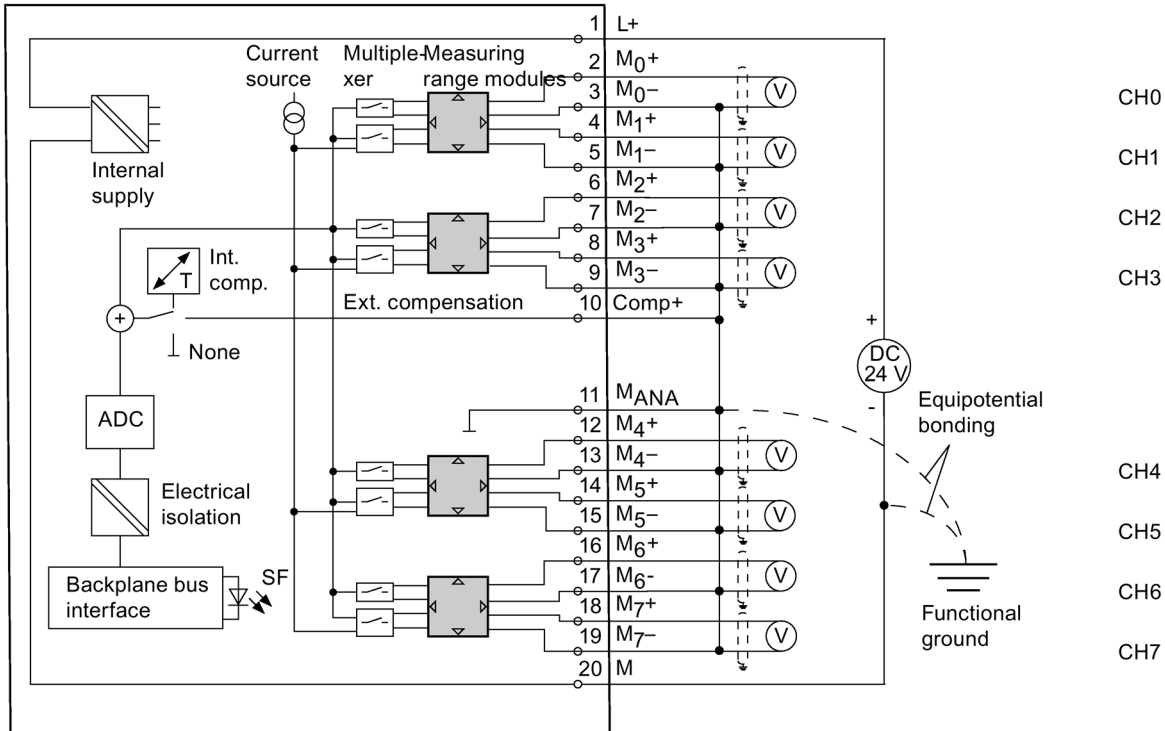


Figure 6-13 Block diagram and wiring diagram

Measuring range module settings

Measuring range	Measuring range module setting
$\pm 80 \text{ mV}$ $\pm 250 \text{ mV}$ $\pm 500 \text{ mV}$ $\pm 1,000 \text{ mV}$	A
$\pm 2.5 \text{ V}$ $\pm 5 \text{ V}$ $1 \text{ V to } 5 \text{ V}$ $\pm 10 \text{ V}$	B

Wiring: 2-wire and 4-wire transducers for current measurement

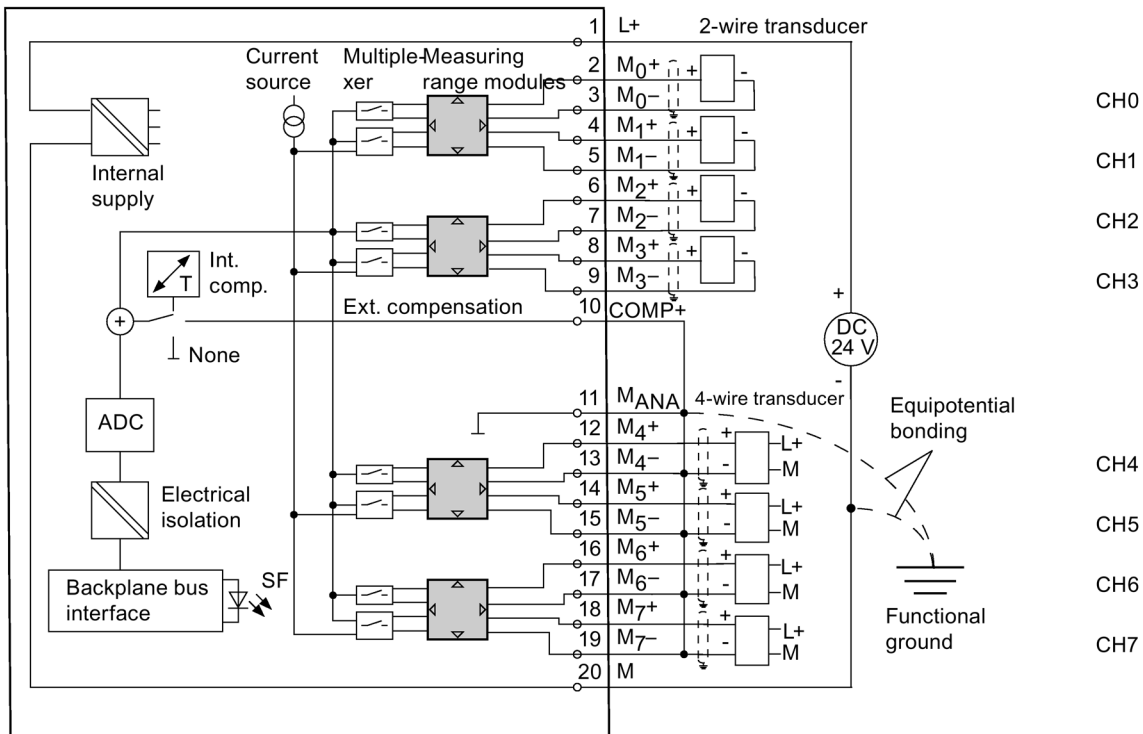


Figure 6-14 Block diagram and wiring diagram

Note

The interconnection between M_{ANA} and M- (terminals 11, 13, 15, 17, 19) is not required when using grounded 4-wire transducers with non-isolated supply.

Measuring range module settings

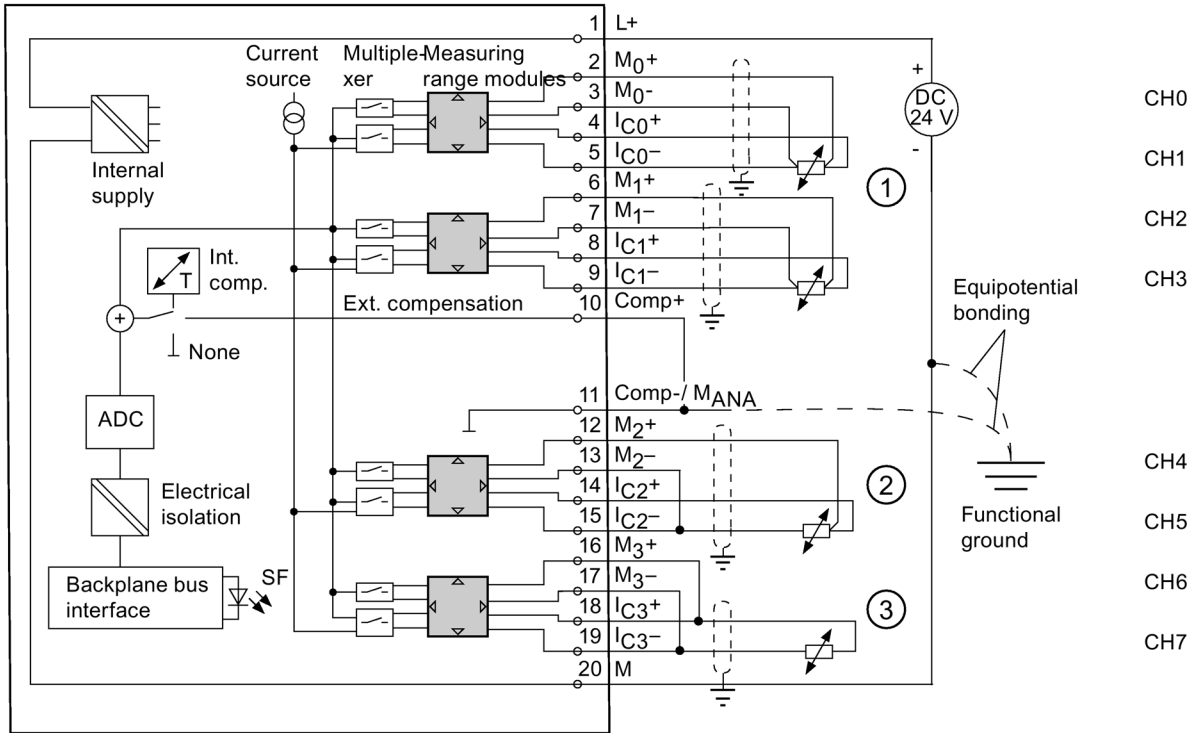
Measuring range		Measuring range module setting
2-wire transducer	4 mA to 20 mA	D
4-wire transducer	± 3.2 mA ± 10 mA 0 mA to 20 mA 4 mA to 20 mA ± 20 mA	C

CAUTION

Measuring range module in "Current" position

Any voltage measurement will destroy the measuring range module if "current" measuring mode is set.

Wiring: 2-, 3- and 4-wire connection of resistance transducers or thermoresistors



- ① 4-wire connection
- ② 3-wire connection, no compensation for line resistors
- ③ 2-wire connection, no compensation for line resistors

Figure 6-15 Block diagram and wiring diagram

Measuring range module settings

Measuring range		Measuring range module setting
150 Ω 300 Ω 600 Ω		A
Thermoresistor (linear, 4-wire connection) (temperature measurement) RTD-4L	Pt 100 Klima Ni 100 Klima Pt 100 Standard Ni 100 Standard	A

Note

- "Resistance measurement" is only available at one channel per group. The "2nd" channel of the group is used accordingly for current measuring mode (I_c). The "1st" channel of the group returns the measured value. The "2nd" channel of the group is assigned the default overflow value "7FFF_H."
- There is no compensation of the line resistance with a 2 and 3-wire connection.

Wiring: Thermocouples with external compensation

Insert a bridge between Comp+ and M_{ANA} when using the internal compensation.

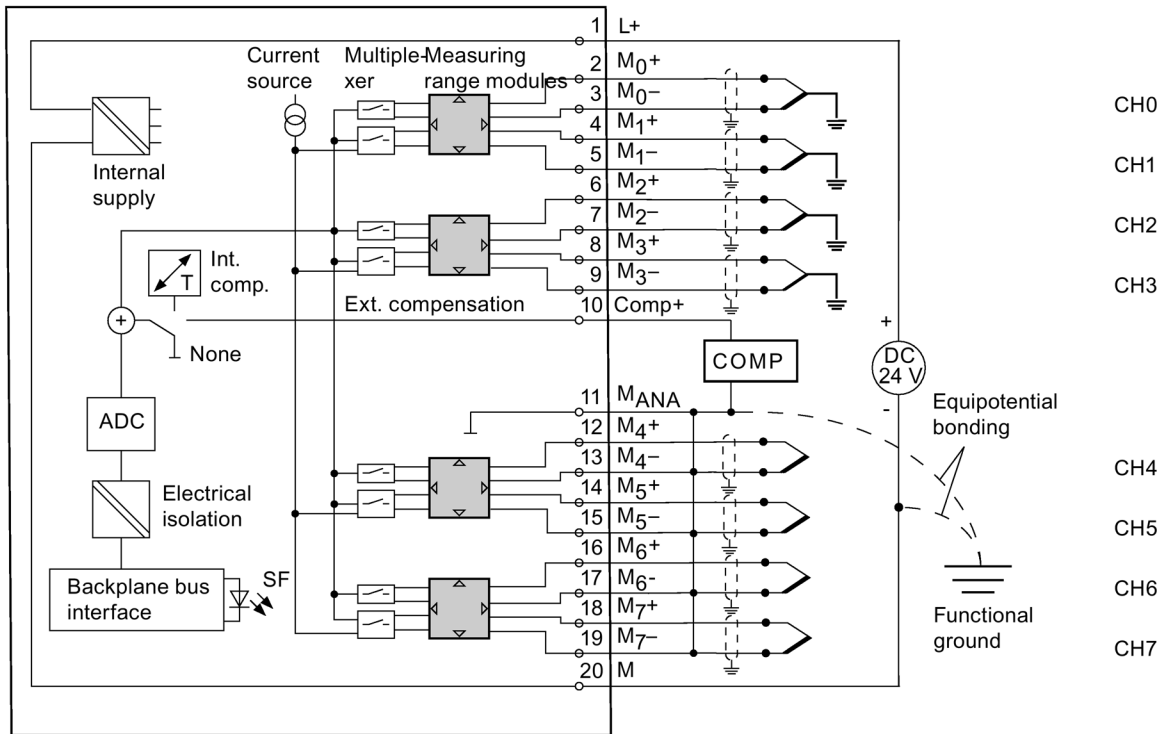


Figure 6-16 Block diagram and wiring diagram

Measuring range module settings

Measuring range		Measuring range module setting
Thermocouple TC-I (internal comparison) (thermal voltage measurement) Linearization is ignored	Type N [NiCrSi-NiSi] Type E [NiCr-CuNi] Type J [Fe-CuNi] Type K [NiCr-Ni] Type L [Fe-CuNi]	A
Thermocouple TC-E (external comparison) (thermovoltage measurement) Linearization is ignored		
Thermocouple (linear, internal comparison) (temperature measurement) TC-IL	Type N [NiCrSi-NiSi] Type E [NiCr-CuNi] Type J [Fe-CuNi] Type K [NiCr-Ni] Type L [Fe-CuNi]	A
Thermocouple (linear, external comparison) (temperature measurement) TC-EL		

Note

- An interconnection of M- and M_{ANA} is prohibited when using grounded thermocouples. In this case, you must ensure that low-resistance equipotential bonding is in place so that the permitted common-mode voltage is not exceeded.
- Interconnect M- and M_{ANA} when using non-grounded thermocouples

Technical specifications

Technical specifications				
Dimensions and weight				
Dimensions W x H x D (mm)	40 x 125 x 117			
Weight	approx. 250 g			
Module-specific data				
Supports isochronous mode	No			
Number of inputs	8			
• with resistive transducers	4			
Cable length	max. 200 m			
• shielded	max. 50 m at 80 mV and with thermocouples			
Voltages, currents, electrical potentials				
Rated electronics supply voltage L +	24 V DC			
• Reverse polarity protection	Yes			
Transducer power supply				
• Supply current	max. 60 mA (per channel)			
• short circuit-proof	Yes			
Constant current for resistive transducers	typ. 1.67 mA (pulsed)			
Electrical isolation				
• between channels and the backplane bus	Yes			
• between channels and electronics power supply	Yes			
– Not for 2-wire transducers				
Maximum potential difference				
• between inputs and M_{ANA} (V_{CM})	typ. 2.5 V DC (> 2.3 V DC)			
– at signal = 0 V				
• between inputs (V_{CM})	typ. 2.5 V DC (> 2.3 V DC)			
Isolation test voltage	500 V DC			
Current consumption				
• from the backplane bus	max. 50 mA			
• from load voltage L+	max. 30 mA (without 2-wire transducer)			
Power loss of the module	typ. 1 W			
Generation of analog values				
Measuring principle	Integrating			
Integration/conversion time/resolution (per channel)				
• programmable	Yes			
• Integration time in ms	2.5	16 ² / ₃	20	100
• Basic conversion time, including the integration time in ms	3	17	22	102
Additional conversion time for resistance measurement, in ms or	1	1	1	1

Technical specifications				
additional conversion time for wire-break monitoring in ms or	10	10	10	10
additional conversion time for resistance measurements and wire-break monitoring in ms	16	16	16	16
• Resolution in bits (including overrange)	9 bits	12 bits	12 bits	14 bits
• Interference frequency suppression at interference frequency f1 in Hz	400	60	50	10
• Basic execution time of the module in ms (all channels enabled)	24	136	176	816
Measured value smoothing	none			
Interference frequency suppression, error limits				
Interference frequency suppression at $F = n (f1 \pm 1 \%)$, (f1 = interference frequency)				
• Common mode interference ($V_{CM} < 2.5 \text{ V}$)	> 70 dB			
• Seriesmode interference (peak interference value < rated input range)	> 40 dB			
Crosstalk between inputs	> 50 dB			
Operational limit (across entire temperature range, relative to the measurement range end value in the selected input range)				
• Voltage input	80 mV 250 mV to 1,000 mV 2.5 V to 10 V	$\pm 1 \%$ $\pm 0.6 \%$ $\pm 0.8 \%$		
• Current input	3.2 mA to 20 mA	$\pm 0.7 \%$		
• Resistance	150 Ω ; 300 Ω ; 600 Ω	$\pm 0.7 \%$		
• Thermocouple	Types E, N, J, K, L	$\pm 1.1 \%$		
• Resistance thermometer	Pt 100/Ni 100	$\pm 0.7 \%$		
	Pt 100 Klima	$\pm 0.8 \%$		
Basic error limit (operational limit at 25 °C, relative to the measurement range end value in the selected input range)				
• Voltage input	80 mV 250 mV to 1,000 mV 2.5 V to 10 V	$\pm 0.7 \%$ $\pm 0.4 \%$ $\pm 0.6 \%$		
• Current input	3.2 mA to 20 mA	$\pm 0.5 \%$		
• Resistance	150 Ω ; 300 Ω ; 600 Ω	$\pm 0.5 \%$		
• Thermocouple	Types E, N, J, K, L	$\pm 0.7 \%$		
• Resistance thermometer	Pt 100/Ni 100	$\pm 0.5 \%$		
	Pt 100 Klima	$\pm 0.6 \%$		
Temperature error (relative to input range)	$\pm 0.005\%/K$			
Linearity error (relative to input range)	$\pm 0.05 \%$			
Repeat accuracy (in settled state at 25 °C, relative to input range)	$\pm 0.05 \%$			
Temperature error of internal compensation	$\pm 1 \%$			

Technical specifications		
Status, interrupts, diagnostics		
Interrupts	programmable	
<ul style="list-style-type: none"> Limit interrupt Diagnostic interrupt 	Channels 0 and 2 programmable	
Diagnostic functions	programmable	
<ul style="list-style-type: none"> Group error display Reading diagnostics information 	red LED (SF) supported	
Encoder selection data		
Input ranges (rated values) / input impedance		
<ul style="list-style-type: none"> Voltage 	± 80 mV	10 MΩ
	± 250 mV	10 MΩ
	± 500 mV	10 MΩ
	± 1,000 mV	10 MΩ
	± 2.5 V	100 kΩ
	± 5 V	100 kΩ
	1 V to 5 V	100 kΩ
<ul style="list-style-type: none"> Current 	± 3.2 mA	25 Ω
	± 10 mA	25 Ω
	± 20 mA	25 Ω
	0 mA to 20 mA	25 Ω
	4 mA to 20 mA	25 Ω
<ul style="list-style-type: none"> Resistance 	150 Ω	10 MΩ
	300 Ω	10 MΩ
	600 Ω	10 MΩ
<ul style="list-style-type: none"> Thermocouples 	Types E, N, J, K, L	10 MΩ
<ul style="list-style-type: none"> Resistance thermometer 	Pt 100, Ni 100	10 MΩ
Maximum voltage at voltage input (destruction limit)	max. 20 V, continuous 75 V for the duration of max. 1 s (duty factor 1:20)	
Maximum current at current input (destruction limit)	40 mA	
Wiring of the signal transmitters	using a 20-pin front connector	
<ul style="list-style-type: none"> for voltage measurement 	supported	
<ul style="list-style-type: none"> for current measurement 	supported	
<ul style="list-style-type: none"> as 2-wire transducer as 4-wire transducer 	supported supported	
<ul style="list-style-type: none"> For thermoresistor/resistance measurement 	Supported, cable resistances are not compensated	
with 2-wire connection	Supported, cable resistances are not compensated	
with 3-wire connection	Supported, cable resistances are not compensated	
with 4-wire connection	Supported, cable resistances are compensated	
<ul style="list-style-type: none"> Load of the 2-wire transducer 	max. 820 Ω	
Characteristics linearization	programmable	
<ul style="list-style-type: none"> for thermocouples 	Types E, N, J, K, L	
<ul style="list-style-type: none"> for resistance thermometers 	Pt 100 (Standard and Klima range) Ni 100 (Standard and Klima range)	

Technical specifications	
Temperature compensation	programmable supported
<ul style="list-style-type: none"> Internal temperature compensation 	supported
<ul style="list-style-type: none"> External temperature compensation with compensating box 	supported
<ul style="list-style-type: none"> Compensation for 0 °C reference junction temperature 	supported
<ul style="list-style-type: none"> Technical unit of temperature measurement 	degrees Centigrade

See also

Diagnostics messages of analog input modules (Page 296)

6.7.2 Measurement types and ranges

Introduction

Module SM 331; AI 8 x 12 Bit has measuring range modules

The measurement type and range is configured at the "measuring range" parameter in *STEP 7*.

The default setting of the module is "voltage" measurement with "± 10V" range. You can use these default settings without having to program the SM 331; AI 8 x 12 Bit in *STEP 7*.

Measuring range modules

You may have to change the position of the measuring range modules to suit the measurement type and range (see the chapter *Setting the measuring types and ranges of analog input channels*). The necessary settings are also available on the module's imprint. Mark the position of the measuring range module on the front door (see figure).

Range:

A	B
C	D

Measurement types and ranges

Table 6- 18 Measurement types and ranges

Selected type of measurement	Measuring range (type of sensor)	Measuring range module settings
Voltage V	± 80 mV ± 250 mV ± 500 mV ± 1000 mV	A
	± 2.5 V ± 5 V 1 V to 5 V ± 10 V	B
Thermocouple TC-I (internal comparison) (thermal voltage measurement) Linearization is ignored	Type N [NiCrSi-NiSi] Type E [NiCr-CuNi] Type J [Fe-CuNi] Type K [NiCr-Ni] Type L [Fe-CuNi]	A
Thermocouple TC-E (external comparison) (thermovoltage measurement) Linearization is ignored		
Thermocouple (linear, internal comparison) (temperature measurement) TC-IL	Type N [NiCrSi-NiSi] Type E [NiCr-CuNi] Type J [Fe-CuNi]	A
Thermocouple (linear, external comparison) (temperature measurement) TC-EL	Type K [NiCr-Ni] Type L [Fe-CuNi]	
Current (2-wire transducer) 2DMU	4 mA to 20 mA	D
Current (4-wire transducer) 4DMU	± 3.2 mA ± 10 mA 0 mA to 20 mA 4 mA to 20 mA ± 20 mA	C
Resistance (4-wire connection) R-4L	150 Ω 300 Ω 600 Ω	A
Thermoresistor (linear, 4-wire connection) (temperature measurement) RTD-4L	Pt 100 Klima Ni 100 Klima Pt 100 Standard Ni 100 Standard	A

Channel groups

The channels of SM 331; AI 8 x 12 Bit are arranged in four groups of two channels. You can assign parameters only to one channel group.

SM 331; AI 8 x 12 Bit is equipped with one measuring range module per channel group.

The table below shows the relevant configuration of channel groups. The channel group number is required to program SFC parameters in the user program.

Table 6- 19 Assignment of SM 331; AI 8x12 bit channels to channel groups

Channelsform one channel group each
Channel 0	Channel group 0
Channel 1	
Channel 2	Channel group 1
Channel 3	
Channel 4	Channel group 2
Channel 5	
Channel 6	Channel group 3
Channel 7	

See also

Programming analog modules (Page 294)

Diagnostics messages of analog input modules (Page 296)

6.7.3 Programmable parameters

Introduction

For information on programming analog modules, refer to the chapter Programming analog modules (Page 294).

Parameters

Table 6- 20 Overview of the parameters for SM 331; AI 8 x 12 Bit

Parameters	Range of values	Default	Parameter type	Scope
Enable <ul style="list-style-type: none"> • Diagnostics interrupt • Process interrupt when limit exceeded 	yes/no yes/no	no no	dynamic	Module
Process interrupt trigger <ul style="list-style-type: none"> • High limit • Low limit 	May be restricted by the measuring range from 32511 to - 32512 from - 32512 to 32511	-	dynamic	Channel
Diagnostics <ul style="list-style-type: none"> • Group diagnostics • with line continuity check 	yes/no yes/no	no no	static	Channel group
Measurement <ul style="list-style-type: none"> • Measurement type 	disabled Voltage V 4DMU current (4-wire transducer) 2DMU current (2-wire transducer) R-4L resistance (4-wire connection) RTD-4L thermoresistor (linear, 4-wire connection) TC-I thermocouple (internal comparison) TC-E thermocouple (external comparison) TC-IL thermocouple (internal comparison) TC-EL thermocouple (linear, external comparison)	V	dynamic	Channel or channel group
<ul style="list-style-type: none"> • Measuring range 	See the table <i>Measurement types and ranges</i>	± 10 V		
<ul style="list-style-type: none"> • Noise suppression 	400 Hz; 60 Hz; 50 Hz; 10 Hz	50 Hz		

6.7.4 Additional information on SM 331; AI 8 x 12 Bit

Unused channels

As certain programmed inputs may remain unused due to the channel group configuration, make allowances for the special features of these inputs outlined below in order to be able to use the diagnostics functions at these used channels:

- **Voltage measurement (except 1 V to 5V)** and for thermocouples: Short-circuit unused channels and connect these with M_{ANA} . This optimizes interference immunity of the analog input module. Set the "disabled" value at the "measurement type" parameter for unused channels. This setting reduces module cycle times. Also short-circuit the COMP input if this is not used.
- **Measuring range 1 V to 5 V:** wire the used and unused inputs of the same channel group in parallel.
- **Current measurement, 2-wire transducer:** There are two options of wiring the channel circuit.
 - a) Open unused input; channel group diagnostics disabled. If you were to enable diagnostics, the analog module would trigger a single diagnostic interrupt, and light up its SF LED.
 - b) Loading the unused input using a 1.5 k Ω to 3.3 k Ω resistor. This allows you to enable diagnostics for this channel group.
- **Current measurement 4 mA to 20 mA, 4-wire transducer:** wire the unused inputs of the same channel group in series.

All channels deactivated

If you disable **all** input channels of the module and enable diagnostics at the parameters of SM 331; AI 8 x 12 Bit, the module does **not** report "external auxiliary voltage missing."

Line continuity check for the 4 mA to 20 mA measuring range

If you configured a measuring range of 4 mA to 20 mA, and **enabled the line continuity check**, the analog input module logs a wire-break event to diagnostics data when the current drops below 3.6 mA.

The module also triggers a diagnostics interrupt if this function is enabled in the program.

A wire break can only be signaled by means of the lit SF LED and the diagnostic bytes must be evaluated in the user program if diagnostics interrupts are disabled.

If you configured a measuring range of 4 mA to 20 mA, **disabled** the line continuity check, and enabled diagnostic interrupts, the module triggers a diagnostic interrupt when the underflow value is reached.

Line continuity check

The line continuity check is designed only for temperature measurements (thermocouples and thermoresistors.)

See also

Representation of the values for analog input channels (Page 262)

6.8 Analog input module SM 331; AI 2 x 12 Bit; (6ES7331-7KB02-0AB0)

6.8.1 Analog input module SM 331; AI 2 x 12-bit; (6ES7331-7KB02-0AB0)

Order number: "Standard module"

6ES7331-7KB02-0AB0

Order number: "SIPLUS S7-300 module"

6AG1331-7KB02-2AB0

Properties

- Two inputs in one channel group
- Programmable measurement type for each channel group
 - Voltage
 - Current
 - Resistance
 - Temperature
- Programmable resolution at each channel group (9/12/14 bits + sign)
- Any measuring range selection per channel group
- Programmable diagnostics and diagnostic interrupt
- Programmable limit value monitoring for one channel
- Programmable hardware interrupt when limit is exceeded
- Electrically isolated from the CPU and load voltage (not for 2DMU)

Resolution

The measured value resolution is directly proportional to the selected integration time, that is, the measured value resolution increases in proportion to length of the integration time at the analog input channel.

Diagnostics

For information on diagnostics messages at the "group diagnostics" parameter, refer to chapter Diagnostic messages of analog input modules.

Hardware interrupts

Hardware interrupts for channel groups can be programmed in *STEP 7*. However, set a hardware interrupt only for the first channel of a channel group, that is channel 0.

Terminal assignment

The diagrams below show various wiring options. The input impedance depends on programmed measuring range.

Wiring: Voltage measurement

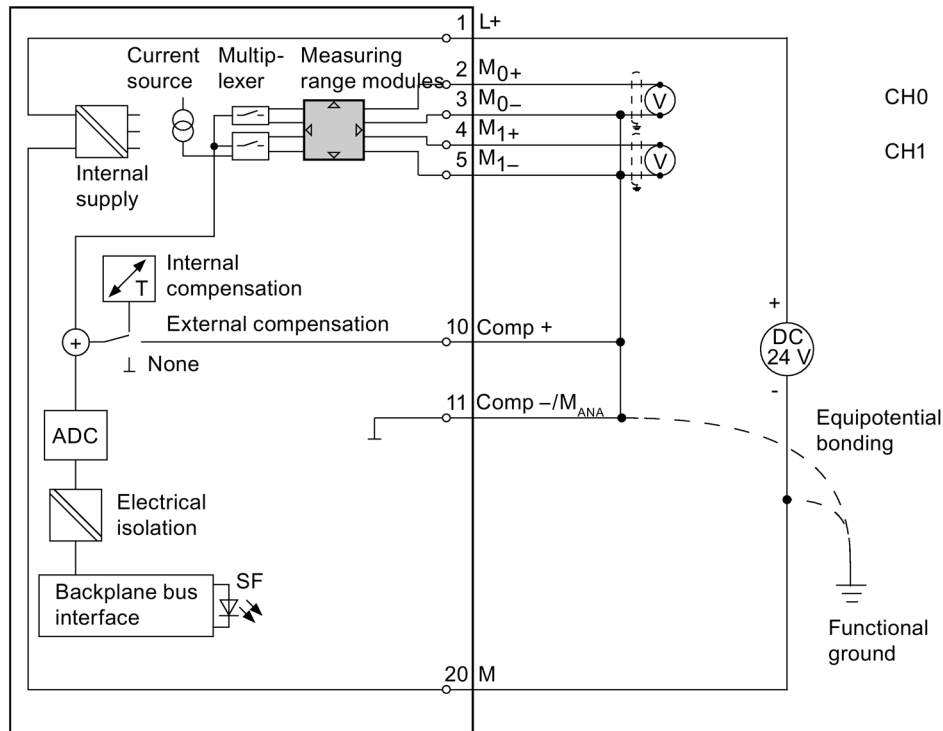


Figure 6-17 Wiring and block diagram

Measuring range module settings

Measuring range	Measuring range module setting
$\pm 80 \text{ mV}$ $\pm 250 \text{ mV}$ $\pm 500 \text{ mV}$ $\pm 1,000 \text{ mV}$	A
$\pm 2.5 \text{ V}$ $\pm 5 \text{ V}$ $1 \text{ V to } 5 \text{ V}$ $\pm 10 \text{ V}$	B

Wiring: Thermocouple with external compensation

Insert a bridge between Comp+ and M_{ANA} when using the internal compensation.

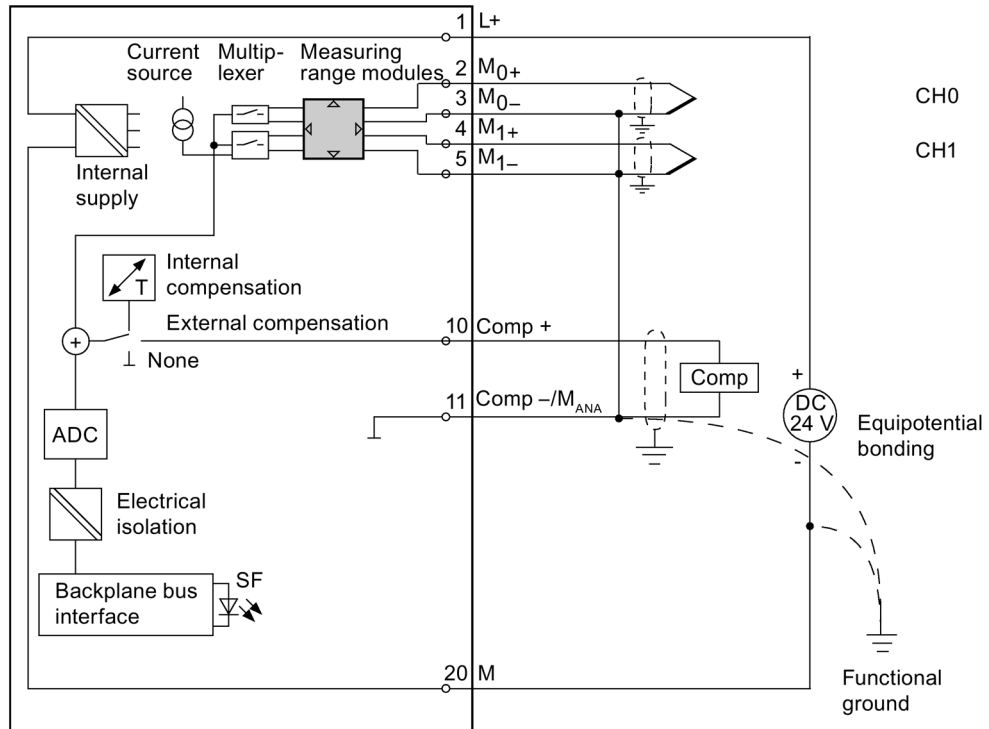
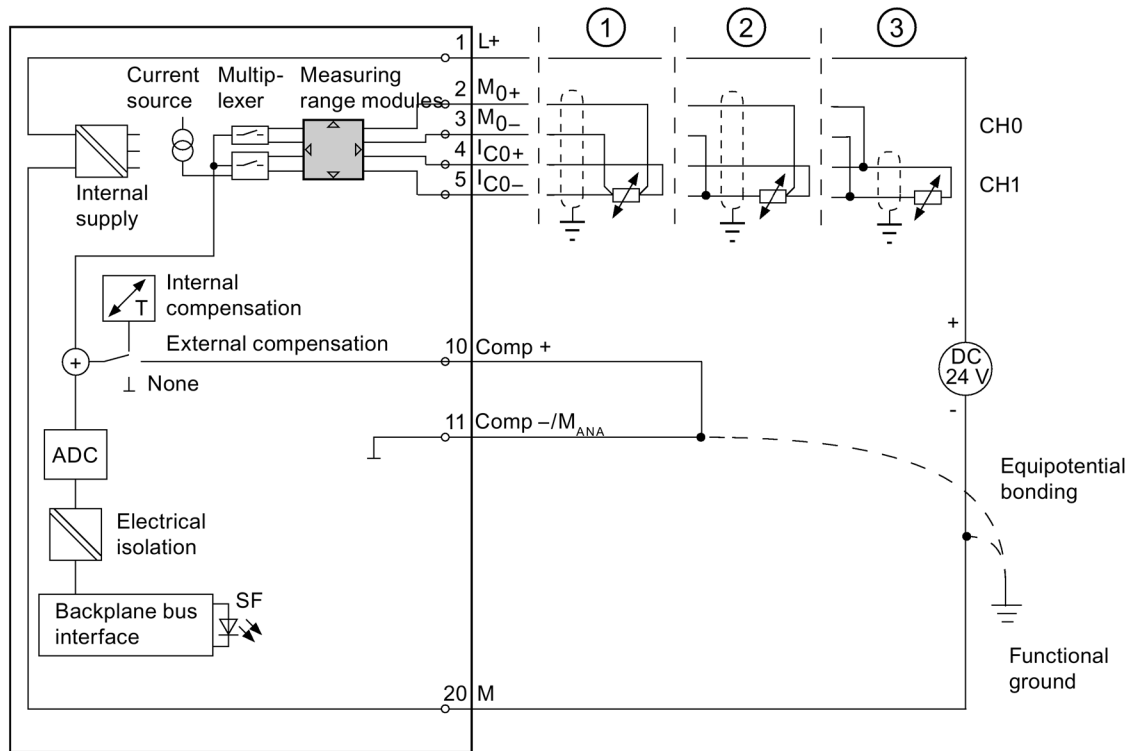


Figure 6-18 Wiring and block diagram

Measuring range module settings

Measuring range		Measuring range module setting
TC-I: Thermocouple (internal comparison) (thermal voltage measurement)	Type N [NiCrSi-NiSi] Type E [NiCr-CuNi] Type J [Fe-CuNi]	A
TC-E: Thermocouples (external comparison) (thermovoltage measurement)	Type K [NiCr-Ni] Type L [Fe-CuNi]	
TC-IL: Thermocouples (linear, internal comparison) (temperature measurement)	Type N [NiCrSi-NiSi] Type E [NiCr-CuNi] Type J [Fe-CuNi] Type K [NiCr-Ni] Type L [Fe-CuNi]	A
TC-EL: Thermocouples (linear, external comparison) (temperature measurement)	Type N [NiCrSi-NiSi] Type E [NiCr-CuNi] Type J [Fe-CuNi] Type K [NiCr-Ni] Type L [Fe-CuNi]	A

Wiring: 2-, 3- and 4-wire connection of resistance transducers or thermoresistors



- ① 4-wire connection
- ② 3-wire connection, no compensation for line resistors
- ③ 2-wire connection, no compensation for line resistors

Figure 6-19 Wiring and block diagram

Measuring range module settings

Measuring range		Measuring range module setting
150 Ω		A
300 Ω		
600 Ω		
RTD-4L: Thermal resistance (linear, 4-wire connection) (temperature measurement)	Pt 100 Klima Ni 100 Klima Pt 100 Standard Ni 100 Standard	A

Note

"Resistance measurement" is only available at one channel per group. The "2nd" channel of the group is used accordingly for current measuring mode (I_C).

The "1st" returns the measured value. The "2nd" channel of the group is assigned the default overflow value "7FFF_H."

Wiring: 2-wire and 4-wire transducers for current measurement

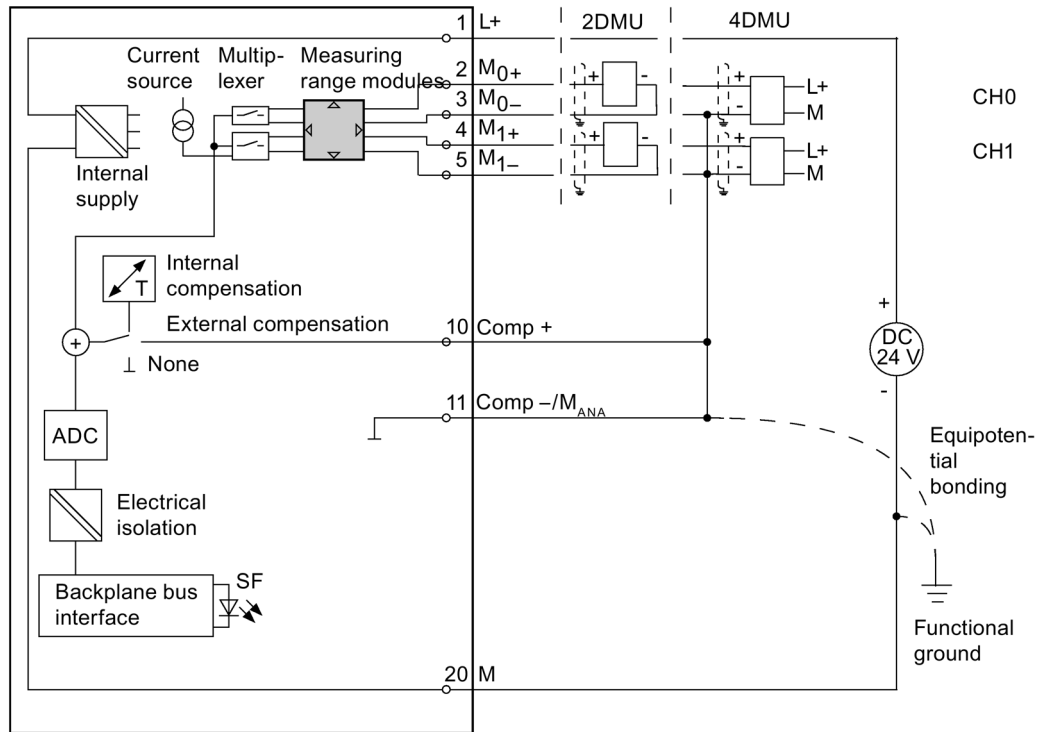


Figure 6-20 Wiring and block diagram

Measuring range module settings

Measuring range	Measuring range module setting
2-wire transducer	4 mA to 20 mA D
4-wire transducer	± 3.2 mA ± 10 mA 0 mA to 20 mA 4 mA to 20 mA ± 20 mA C

CAUTION

Measuring range module in "Current" position

If "current" measuring mode is set, any voltage measurement will destroy the measuring range module.

Technical specifications

Technical specifications	
Dimensions and weight	
Dimensions W x H x D (mm)	40 x 125 x 117
Weight	approx. 250 g
Module-specific data	
Supports isochronous mode	No
Number of inputs	2
<ul style="list-style-type: none"> with resistive transducers 	1
Cable length	max. 200 m
<ul style="list-style-type: none"> shielded 	max. 50 m at 80 mV and with thermocouples
Voltages, currents, electrical potentials	
Rated electronics supply voltage L +	24 V DC
<ul style="list-style-type: none"> Reverse polarity protection 	Yes
Transducer power supply	
<ul style="list-style-type: none"> Supply current short circuit-proof 	max. 60 mA (per channel) Yes
Constant current for resistive transducers	typ. 1.67 mA (pulsed)
Electrical isolation	
<ul style="list-style-type: none"> between channels and the backplane bus between channels and electronics power supply <ul style="list-style-type: none"> Not for 2-wire transducers 	Yes Yes
Maximum potential difference	
<ul style="list-style-type: none"> between inputs and M_{ANA} (V_{CM}) <ul style="list-style-type: none"> at signal = 0 V between inputs (V_{CM}) 	typ. 2.5 V DC (> 2.3 V DC) typ. 2.5 V DC (> 2.3 V DC)
Isolation test voltage	500 V DC
Current consumption	
<ul style="list-style-type: none"> from the backplane bus from load voltage L+ 	max. 50 mA max. 30 mA (without 2-wire transducer)
Power loss of the module	typ. 1 W

Technical specifications				
Generation of analog values				
Measuring principle	Integrating			
Integration/conversion time/resolution (per channel)				
• programmable	Yes			
• Integration time in ms	2.5	16 ² / ₃	20	100
• Basic conversion time, including the integration time in ms	3	17	22	102
Additional conversion time for resistance measurement, in ms or	1	1	1	1
additional conversion time for wire-break monitoring in ms or	10	10	10	10
additional conversion time for resistance measurements and wire-break monitoring in ms	16	16	16	16
• Resolution in bits (including overshoot range)	9 bits	12 bits	12 bits	14 bits
• Interference frequency suppression at interference frequency f1 in Hz	400	60	50	10
• Basic execution time of the module in ms (all channels enabled)	6	34	44	204
Measured value smoothing	none			
Interference frequency suppression, error limits				
Interference frequency suppression at $f = n (f1 \pm 1\%)$, ($f1 =$ interference frequency) $n=1.2\dots$				
• Common mode interference ($V_{CM} < 2.5 V$)	> 70 dB			
• Seriesmode interference (peak interference value < rated input range)	> 40 dB			
Crosstalk between inputs	> 50 dB			
Operational limit (across entire temperature range, relative to the measurement range end value of the selected input range)				
• Voltage input	80 mV 250 mV to 1,000 mV 2.5 V to 10 V	$\pm 1\%$ $\pm 0.6\%$ $\pm 0.8\%$		
• Current input	3.2 mA to 20 mA	$\pm 0.7\%$		
• Resistance	150 Ω ; 300 Ω ; 600 Ω	$\pm 0.7\%$		
• Thermocouple	Types E, N, J, K, L	$\pm 1.1\%$		
• Resistance thermometer	Pt 100/Ni 100	$\pm 0.7\%$		
	Pt 100 Klima	$\pm 0.8\%$		

Technical specifications		
Basic error limit (operational limit at 25 °C, relative to the measurement range end value in the selected input range)		
• Voltage input	80 mV 250 mV to 1,000 mV 2.5 V to 10 V	± 0.6 % ± 0.4 % ± 0.6 %
• Current input	3.2 mA to 20 mA	± 0.5 %
• Resistance	150 Ω; 300 Ω; 600 Ω	± 0.5 %
• Thermocouple	Types E, N, J, K, L	± 0.7 %
• Resistance thermometer	Pt 100/Ni 100	± 0.5 %
	Pt 100 Klima	± 0.6 %
Temperature error (relative to input range)	± 0.005%/K	
Linearity error (relative to input range)	± 0.05 %	
Repeat accuracy (in settled state at 25°C, relative to input range)	± 0.05 %	
Temperature error of internal compensation	± 1 %	
Status, interrupts, diagnostics		
Interrupts	programmable	
• Limit interrupt	Channels 0	
• Diagnostic interrupt	programmable	
Diagnostic functions	programmable	
• Group error display	red LED (SF)	
• Reading diagnostics information	supported	
Encoder selection data		
Input ranges (rated values) / input impedance		
• Voltage	± 80 mV ± 250 mV ± 500 mV ± 1,000 mV ± 2.5 V ± 5 V 1 V to 5 V ± 10 V	10 MΩ 10 MΩ 10 MΩ 10 MΩ 100 kΩ 100 kΩ 100 kΩ 100 kΩ
• Current	± 3.2 mA ± 10 mA ± 20 mA 0 mA to 20 mA 4 mA to 20 mA	25 Ω 25 Ω 25 Ω 25 Ω 25 Ω
• Resistance	150 Ω 300 Ω 600 Ω	10 MΩ 10 MΩ 10 MΩ
• Thermocouples	Types E, N, J, K, L	10 MΩ
• Resistance thermometer	Pt 100, Ni 100	10 MΩ

Technical specifications	
Maximum voltage at voltage input (destruction limit)	max. 20 V continuous; 75 V for the duration of max. 1 s (duty factor 1:20)
Maximum current at current input (destruction limit)	40 mA
Wiring of the signal transmitters	using a 20-pin front connector
<ul style="list-style-type: none"> for voltage measurement 	supported
<ul style="list-style-type: none"> for current measurement as 2-wire transducer as 4-wire transducer 	supported supported
<ul style="list-style-type: none"> For thermoresistor/resistance measurement With 2-wire connection With 3-wire connection With 4-wire connection 	Supported, cable resistances are not compensated Supported, cable resistances are not compensated Supported, cable resistances are compensated
<ul style="list-style-type: none"> Load of the 2-wire transducer 	max. 820 Ω
Characteristics linearization <ul style="list-style-type: none"> for thermocouples for resistance thermometers 	programmable Types E, N, J, K, L Pt 100 (Standard and Klima range) Ni 100 (Standard and Klima range)
Temperature compensation <ul style="list-style-type: none"> Internal temperature compensation External temperature compensation with compensating box Compensation for 0 °C reference junction temperature Technical unit of temperature measurement 	programmable supported supported supported degrees Centigrade

See also

Causes of error and troubleshooting at analog input modules (Page 297)

6.8.2 Measurement types and measuring ranges

Introduction

SM 331; AI 2 x 12 Bit is equipped with a measuring range module. The measurement type and range is configured at the "measuring range" parameter in *STEP 7*. You can use the default "voltage" measurement type and "± 10 V range without having to program the SM 331; AI 2 x 12 Bit in *STEP 7*.

Measuring range module

Change the position of the measuring range module to set the measurement type and range (see the chapter *Setting the measurement types and ranges of analog input channels*). The necessary settings are also available on the module's imprint. Mark the position of the measuring range module on the front door (see figure).

Range:

A	B
C	D

Table 6- 21 Measurement types and ranges

Selected type of measurement	Measuring range (type of sensor)	Measuring range module settings
V: Voltage	± 80 mV ± 250 mV ± 500 mV ± 1000 mV	A
	± 2.5 V ± 5 V 1 V to 5 V ± 10 V	B
TC-I: Thermocouple (internal comparison) (thermal voltage measurement)	Type N [NiCrSi-NiSi] Type E [NiCr-CuNi] Type J [Fe-CuNi]	A
TC-E: Thermocouples (external comparison) (thermal voltage measurement)	Type K [NiCr-Ni] Type L [Fe-CuNi]	
2DMU: Current (2-wire transducer)	4 mA to 20 mA	D
4DMU: Current (4-wire transducer)	± 3.2 mA ± 10 mA 0 mA to 20 mA 4 mA to 20 mA ± 20 mA	C
R-4L: Resistance (4-wire connection)	150 Ω 300 Ω 600 Ω	A

Selected type of measurement	Measuring range (type of sensor)	Measuring range module settings
TC-IL: Thermocouples (linear, internal comparison) (temperature measurement)	Type N [NiCrSi-NiSi] Type E [NiCr-CuNi] Type J [Fe-CuNi] Type K [NiCr-Ni] Type L [Fe-CuNi]	A
TC-EL: Thermocouples (linear, external comparison) (temperature measurement)	Type N [NiCrSi-NiSi] Type E [NiCr-CuNi] Type J [Fe-CuNi] Type K [NiCr-Ni] Type L [Fe-CuNi]	A
RTD-4L: Thermal resistance (linear, 4-wire connection) (temperature measurement)	Pt 100 Klima Ni 100 Klima Pt 100 Standard Ni 100 Standard	A

Channel groups

The two channels of SM 331; AI 2 x 12 Bit form a channel group. You can assign parameters only to one channel group.

SM 331; AI 2 x 12 Bit is equipped with a measuring range module for channel group 0.

Line continuity check

The line continuity check is designed only for temperature measurements (thermocouples and thermoresistors.)

Special features of the line continuity check for the 4 mA to 20 mA measuring range

If you configured a measuring range of 4 mA to 20 mA, and **enabled the line continuity check**, the analog input module logs a wire-break event to diagnostics data when the current drops below 3.6 mA.

The module also triggers a diagnostics interrupt if this function is enabled in the program.

A wire break can only be signaled by means of the lit SF LED and the diagnostic bytes must be evaluated in the user program if diagnostics interrupts are disabled.

If you configured a measuring range of 4 mA to 20 mA, **disabled** the line continuity check, and enabled diagnostic interrupts, the module triggers a diagnostic interrupt when the underflow value is reached.

6.8.3 Programmable parameters

Introduction

For general information on programming analog modules, refer to the chapter Programming analog modules (Page 294).

Parameters

Table 6- 22 Overview of the parameters of SM 331; AI 2 x 12 Bit

Parameters	Range of values	Default	Parameter type	Scope
Enable <ul style="list-style-type: none"> • Diagnostics interrupt • Process interrupt when limit exceeded 	yes/no yes/no	no no	dynamic	Module
Process interrupt trigger <ul style="list-style-type: none"> • High limit • Low limit 	32511 to -32512 from - 32512 to 32511	-	dynamic	Channel
Diagnostics <ul style="list-style-type: none"> • Group diagnostics • with line continuity check 	yes/no yes/no	no no	static	Channel group
Measurement <ul style="list-style-type: none"> • Measurement type 	disabled Voltage V 4DMU current (4-wire transducer) 2DMU current (2-wire transducer) R-4L resistance (4-wire connection) RTD-4L thermoresistor (linear, 4-wire connection) TC-I thermocouple (internal comparison) TC-E thermocouple (external comparison) TC-IL thermocouple (internal comparison) TC-EL thermocouple (linear, external comparison)	V	dynamic	Channel or channel group
<ul style="list-style-type: none"> • Measuring range 	Refer to the chapter Measuring methods and ranges (Page 376) for the adjustable measuring ranges of the input channels	± 10 V		
<ul style="list-style-type: none"> • Noise suppression 	400 Hz; 60 Hz; 50 Hz; 10 Hz	50 Hz		

See also

Diagnostics messages of analog input modules (Page 296)

6.8.4 Additional information on SM 331; AI 2 x 12 Bit

Unused channels

Short-circuit unused channels and connect these with M_{ANA} . This optimizes interference immunity of the analog input module. Set the "disabled" value at the "measurement type" parameter for unused channels. This setting reduces module cycle times.

Also short-circuit the COMP input if this is not used.

As certain programmed inputs may remain unused due to the channel group configuration, make allowances for the special features of these inputs outlined below in order to be able to use the diagnostics functions at these used channels:

- **Measuring range 1 V to 5 V:** wire the used input and unused input of the same channel group in parallel.
- **Current measurement, 2-wire transducer:** There are two options of setting up the channel circuit:
 - a) Open unused input; channel group diagnostics disabled. The analog module would trigger a single diagnostics interrupt and set its SF LED if diagnostics is enabled.
 - b) Terminating the unused input using a 1.5 k Ω to 3.3 k Ω resistor. This allows you to enable diagnostics for this channel group.
- **Current measurement 4 mA to 20 mA, 4-wire transducer:** wire the used input and unused input of the same channel group in series.

Line continuity check

The line continuity check is designed only for temperature measurements (thermocouples and thermoresistors.)

Special features of the line continuity check for the 4 mA to 20 mA measuring range

If you configured a measuring range of 4 mA to 20 mA, and **enabled the line continuity check**, the analog input module logs a wire-break event to diagnostics data when the current drops below 3.6 mA.

The module also triggers a diagnostics interrupt if this function is enabled in the program.

A wire break can only be signaled by means of the lit SF LED and the diagnostic bytes must be evaluated in the user program if diagnostics interrupts are disabled.

If you configured a measuring range of 4 mA to 20 mA, **disabled the line continuity check** and enabled diagnostic interrupts, the module triggers a diagnostic interrupt when the underflow value is reached.

6.9 Analog input module SM 331; AI 8 x RTD; (6ES7331-7PF01-0AB0)

6.9.1 Analog input module SM 331; AI 8 x RTD (6ES7331-7PF01-0AB0)

Order number

6ES7331-7PF01-0AB0

Properties

- 8 inputs in 4 channel groups
- Measurement type programmable for each channel group
 - Resistor
 - Temperature
- Programmable resolution for each channel group (15 bits + sign)
- Measuring range selection for each channel group
- Configurable diagnostics and diagnostic interrupt
- Limit monitoring adjustable for 8 channels
- Hardware interrupt can be set for violation of the limit
- Fast measurement update for 4 channels
- Hardware interrupt can be set for end of scan cycle
- Potential-free from the CPU
- Supports the Configuration in RUN function

Resolution

The resolution of measured values is independent of the selected integration time.

Diagnostics


You can find the diagnostic messages grouped under the "Group diagnostics" parameter in the section Diagnostic messages of the analog input modules.

Hardware interrupts

You can set hardware interrupts in STEP 7 for channel groups 0 and 1. However, set a hardware interrupt only for the first channel of a channel group, that is, either at channel 0, or at channel 2.

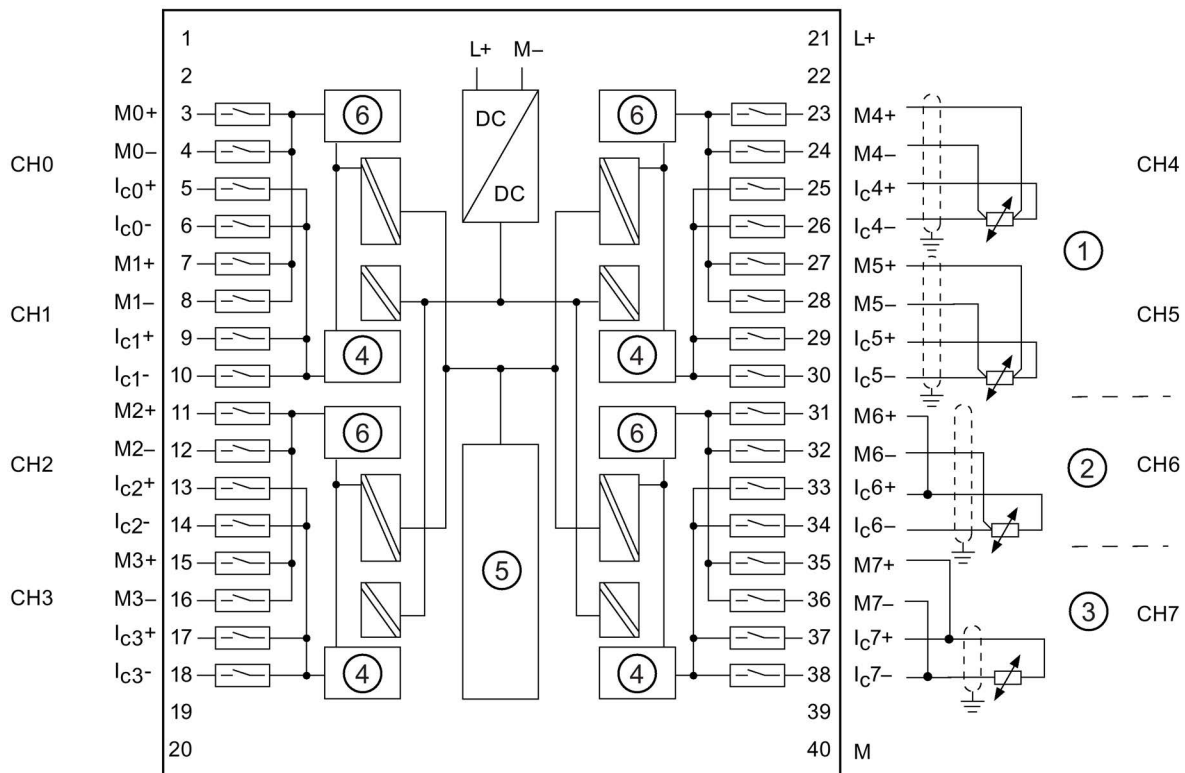
Pin assignment

The figures below show the various connection options. These connection examples apply to all channels (channels 0 to 7).

 CAUTION
<p>Wiring</p> <p>Incorrect wiring of the 3-wire connection can result in unpredictable operation of the module and dangerous conditions in the plant.</p>

Wiring: 2, 3 and 4-wire connection for resistance and thermal resistance measurement

Connection possible at both sides to channels 0 to 7



- ① 4-wire connection
- ② 3-wire connection
- ③ 2-wire connection
- ④ Digital-analog converter
- ⑤ Backplane bus interface
- ⑥ Analog-to-digital converter (ADC)

Figure 6-21 Wiring and block diagram

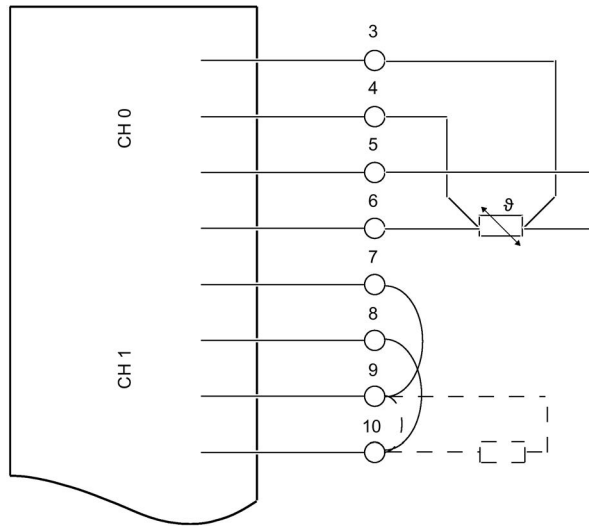



Figure 6-22 Unused channel

Note

- Always use channel n (in this case channel 0) for measurement
- Short-circuit unused channels (in this case channel 1) or connect them in order to avoid diagnostic results with a resistance of the rated range (eg.100 ohms at Pt 100)

 CAUTION
Wiring
Incorrect wiring of the 3-wire connection can result in unpredictable operation of the module and dangerous conditions in the plant.

Wiring: 3-wire connection

With a 3-wire connection to the SM 331; AI 8 x RTD, you need to set a **jumper between M+ and Ic+**.

Always ensure that the connected Ic and M cables are directly to the resistance thermometer.

Wiring: 2-wire connection

With a 2-wire connection to the SM 331; AI 8 x RTD, you need to set a **jumper between M+ and Ic+** as well as M- and Ic- .

There is no compensation of the line resistance with a 2-wire connection. The line resistances are also measured!

Technical specifications

Technical specifications	
Dimensions and weight	
Dimensions W x H x D (mm)	40 x 125 x 117
Weight	approx. 272 g
Module-specific data	
Configuration in RUN possible	Yes
Behavior of the non-configured inputs	Provides the last valid process value before the parameter assignment
Supports isochronous operation	No
Number of inputs	8
Cable length	max. 200 m
<ul style="list-style-type: none"> Shielded 	
Voltages, currents, potentials	
Supply voltage of the electronics L+	24 V DC
<ul style="list-style-type: none"> Reverse polarity protection 	Yes
Constant measurement current for resistance-type transmitter	max. 5 mA (pulsed)
Electrical isolation	Yes
<ul style="list-style-type: none"> Between channels and backplane bus between channels and electronics power supply Between the channels 	Yes Yes Yes
In groups of	2
Insulation tested with	500 V DC
Current consumption	max. 100 mA max. 240 mA
<ul style="list-style-type: none"> From backplane bus from supply voltage L+ 	
Power loss of the module	typ. 4.6 W
Analog value formation	
Measuring principle	Integrating
Mode	8-channel mode (hardware filter)
Integration/conversion time/resolution (per channel)	Yes 80 100* 0 16-bit (including sign) 400 / 60 / 50
<ul style="list-style-type: none"> Configurable 	
<ul style="list-style-type: none"> Basic conversion time in ms 	
<ul style="list-style-type: none"> Additional conversion time for resistance measurement in ms 	
<ul style="list-style-type: none"> Additional conversion time for wire break monitoring in ms 	
<ul style="list-style-type: none"> Resolution (including overrange) 	
<ul style="list-style-type: none"> Interference voltage suppression at interference frequency f1 in Hz 	
Smoothing of the measured values	None/Weak/Medium/Strong
Conversion time (per channel)	100 ms
Basic execution time of the module (all channels enabled)	200 ms

Technical specifications	
Mode	8-channel mode (software filter)
Integration/conversion time/resolution (per channel) <ul style="list-style-type: none"> Configurable Basic conversion time in ms Additional conversion time for resistance measurement in ms Additional conversion time for wire break monitoring in ms Resolution (including overrange) Interference voltage suppression at interference frequency f1 in Hz 	Yes 8 / 25 / 30 25/ 43/ 48* 0 16-bit (including sign) 400 / 60 / 50
Smoothing of the measured values	None/Weak/Medium/Strong
Conversion time (per channel)	25/ 43/ 48 ms
Basic execution time of the module (all channels enabled)	50/ 86/ 96 ms
Mode	4-channel mode (hardware filter)
Integration/conversion time/resolution (per channel) <ul style="list-style-type: none"> Configurable Basic conversion time in ms Additional conversion time for resistance measurement in ms Additional conversion time for wire break monitoring in ms Resolution (including overrange) Interference voltage suppression at interference frequency f1 in Hz 	Yes 3.3**** 100* 100** 16-bit (including sign) 400 / 60 / 50
Smoothing of the measured values	None/Weak/Medium/Strong
Basic execution time of the module (all channels enabled)	10 ms
Interference suppression, error limits	
Interference voltage suppression for $f = n \times (f1 \pm 1 \%)$, ($f1$ = interference frequency), $n = 1, 2$, etc.	
<ul style="list-style-type: none"> Common mode interference ($U_{CM} < 60 \text{ V AC}$) Series-mode interference (peak value of the interference < rated value of the input range) 	> 100 dB > 90 dB
Crosstalk between inputs	> 100 dB
Operational limit (within the entire temperature range, relative to the measuring range end value of the selected input range)	
<ul style="list-style-type: none"> Resistance thermometer <ul style="list-style-type: none"> Pt 50, Pt 100, Pt 200, Pt 500, Pt 1000, Ni 100, Ni 120, Ni 200, Ni 500, Ni 1000, LG-Ni 1000, Cu 50, Cu 100, Pt 10, Cu 10 Resistor 	$\pm 1.0 \text{ }^\circ\text{C}$ $\pm 2.0 \text{ }^\circ\text{C}$ $\pm 0.1 \%$
Basic error limit (operational limit at 25 °C, in relation to measuring range full-scale value of the input range)	
<ul style="list-style-type: none"> Resistance thermometer <ul style="list-style-type: none"> Pt 50, Pt 100, Pt 200, Pt 500, Pt 1000, Ni 100, Ni 120, Ni 200, Ni 500, Ni 1000, LG-Ni 1000, Cu 50, Cu 100, Pt 10, Cu 10 Resistor 	$\pm 0.5 \text{ }^\circ\text{C}$ $\pm 1.0 \text{ }^\circ\text{C}$ $\pm 0.05 \%$

Technical specifications	
Temperature error (in relation to input range) <ul style="list-style-type: none"> Resistance thermometer Resistor 	$\pm 0.015 \text{ }^\circ\text{C/K}$ $\pm 0.005 \text{ \%K}$
Linearity error (referenced to input range) <ul style="list-style-type: none"> Resistance thermometer Resistor 	$\pm 0.2 \text{ }^\circ\text{C}$ $\pm 0.02 \text{ \%}$
Repeat accuracy (in steady state at 25 °C, referenced to input range) <ul style="list-style-type: none"> Resistance thermometer Resistor 	$\pm 0.2 \text{ }^\circ\text{C}$ $\pm 0.01 \text{ \%}$
Status, interrupts, diagnostics	
Interrupts <ul style="list-style-type: none"> Hardware interrupt Diagnostics interrupt 	Configurable (channels 0-7) Configurable
Diagnostics function <ul style="list-style-type: none"> Group error display Diagnostic information can be read 	Configurable Red LED (group error) possible
Encoder selection data	
Input range (rated values) input resistance <ul style="list-style-type: none"> Resistance thermometer Resistor 	Pt 10, Pt 50, Pt 100, Pt 200, Pt 500, Pt 1000, Ni 100, Ni 120, Ni 200, Ni 500, Ni 1000, LG-Ni 1000, Cu 10, Cu 50, Cu 100 (standard and climatic) 150, 300, 600 Ω
Permissible input voltage at voltage input (destruction limit)	35 V DC continuous 75 V DC for max. 1 s (duty cycle 1 : 20)
Wiring of the signal transmitters <ul style="list-style-type: none"> for resistance measurement with 2-wire connection with 3-wire connection with 4-wire connection	with 40-pin front connector possible possible*** possible
Characteristic linearization <ul style="list-style-type: none"> Resistance thermometer Technical unit for temperature measurement 	Pt 10, Pt 50, Pt 100, Pt 200, Pt 500, Pt 1000, Ni 100, Ni 120, Ni 200, Ni 500, Ni 1000, LG-Ni 1000, Cu 10, Cu 50, Cu 100 (standard and climatic) Degrees Celsius / degrees Fahrenheit
<p>* The resistance test for compensation of the line resistances with a 3-wire connection is performed every 5 minutes.</p> <p>** Wire break monitoring in 4-channel mode (hardware filter) is performed every 3 seconds.</p> <p>*** The maximum line resistance with 3-wire encoder measurements for the RTD elements PT 10 and Cu 10 is 10 Ω. For all other RTD elements, the maximum power resistance for 3-wire encoder measurements is 20 Ω.</p> <p>**** In 4-channel mode, the converted value settles to 100% within 80 ms. The value determined in this process is switched typically every 3.3 ms (max. 10 ms).</p>	

Configuration in RUN

Special considerations must be given if you use the Configuration in RUN function.

SF LED is lit:

Status before re-configuration diagnostics on, SF LEDs lit among others (on CPU, IM or module), although diagnostics are no longer pending and the module is operating correctly.

Solution:

- Only change the configuration when no diagnostics are pending for the module or
- Pulling and plugging the module.

6.9.2 Measurement types and measuring ranges

Introduction

The measurement type and range is configured at the "measurement type" parameter in *STEP 7*.

Table 6- 23 Measurement types and ranges

Selected type of measurement	Measuring range
Resistance: (3-/4-wire connection)	150 Ω 300 Ω 600 Ω

Selected type of measurement	Measuring range
RTD resistance and linearization: (3-/4-wire connection)	Pt 100 Klima Pt 200 Klima Pt 500 Klima Pt 1000 Klima Ni 100 Klima Ni 120 Klima Ni 200 Klima Ni 500 Klima Ni 1000 Klima* LG-Ni 1000 Klima Cu 10 Klima Pt 100 Standard Pt 200 Standard Pt 500 Standard Pt 1000 Standard Ni 100 Standard Ni 120 Standard Ni 200 Standard Ni 500 Standard Ni 1000 Standard* LG-Ni 1000 Standard Cu 10 Standard Pt 10 GOST Klima Pt 10 GOST Standard Pt 50 GOST Klima Pt 50 GOST Standard Pt 100 GOST Klima Pt 100 GOST Standard Pt 500 GOST Klima Pt 500 GOST Standard Cu 10 GOST Klima Cu 10 GOST Standard Cu 50 GOST Klima Cu 50 GOST Standard Cu 100 GOST Klima Cu 100 GOST Standard Ni 100 GOST Klima Ni 100 GOST Standard

* \triangleq LG-Ni 1000 with temperature coefficient 0.00618 or 0.00672

Channel groups

The channels of SM 331; AI 8 x RTD are arranged in four groups of two channels. You can assign parameters only to one channel group.

The table below shows the relevant configuration of channel groups. The channel group number is required to program SFC parameters in the user program.

Table 6- 24 Assignment of SM 331; AI 8 x RTD channels to channel groups

Channels form one channel group each
Channel 0	Channel group 0
Channel 1	
Channel 2	Channel group 1
Channel 3	
Channel 4	Channel group 2
Channel 5	
Channel 6	Channel group 3
Channel 7	

6.9.3 Programmable parameters

Introduction

For general information on programming analog modules, refer to the chapter Programming analog modules (Page 294).

The table below provides an overview of programmable parameters and of their defaults:

Parameters

Table 6- 25 Overview of SM 331; AI 8 x RTD parameters

Parameters	Range of values	Default	Parameter type	Scope
Enable				
• Diagnostics interrupt	yes/no	no	dynamic	Module
• Process interrupt when limit exceeded	yes/no	no		
• Process interrupt at end of cycle	yes/no	no		
Process interrupt trigger				
• High limit	32511 to -32512	32767	dynamic	Channel
• Low limit	from - 32512 to 32511	-32768		
Diagnostics				
• Group diagnostics	yes/no	no	static	Channel group
• with line continuity check	yes/no	no		

Parameters	Range of values	Default	Parameter type	Scope
Measurement <ul style="list-style-type: none"> Measurement type 	disabled R-4L resistance (4-wire connection) R-3L resistance (3-wire connection) RTD-4L thermoresistor (linear, 4-wire connection) RTD-3L thermoresistor (linear, 3-wire connection)	RTD-4L	dynamic	Channel group
<ul style="list-style-type: none"> Measuring range 	See chapter Measurement types and measuring ranges (Page 387)	Pt 100 Klima 0.003850 (IPTS-68)		
<ul style="list-style-type: none"> Temperature unit 	Degrees Centigrade; degrees Fahrenheit	degrees Centigrade	dynamic	Module
<ul style="list-style-type: none"> Mode of operation 	8-channel mode (hardware filter) 8-channel mode (software filter) 4-channel mode (hardware filter)	8-channel mode, hardware filter	dynamic	Module
<ul style="list-style-type: none"> Temperature coefficient for temperature measurement with thermoresistor (RTD) 	Platinum (Pt) 0.003850 $\Omega/\Omega/^\circ\text{C}$ (IPTS-68) 0.003916 $\Omega/\Omega/^\circ\text{C}$ 0.003902 $\Omega/\Omega/^\circ\text{C}$ 0.003920 $\Omega/\Omega/^\circ\text{C}$ 0.003850 $\Omega/\Omega/^\circ\text{C}$ (ITS-90) 0.003910 $\Omega/\Omega/^\circ\text{C}$ Nickel (Ni) 0.006170 $\Omega/\Omega/^\circ\text{C}$ 0.006180 $\Omega/\Omega/^\circ\text{C}$ 0.006720 $\Omega/\Omega/^\circ\text{C}$ 0.005000 $\Omega/\Omega/^\circ\text{C}$ (LG Ni 1000) Copper (Cu) 0.004260 $\Omega/\Omega/^\circ\text{C}$ 0.004270 $\Omega/\Omega/^\circ\text{C}$ 0.004280 $\Omega/\Omega/^\circ\text{C}$	0,003850	dynamic	Channel group
<ul style="list-style-type: none"> Noise suppression* 	50/60/400 Hz; 400 Hz; 60 Hz; 50 Hz	50/60/400 Hz	dynamic	Channel group
<ul style="list-style-type: none"> Smoothing 	none weak medium strong	none	dynamic	Channel group
* 50/60/400 Hz only programmable for 8-channel mode (hardware filter) and 4-channel mode (hardware filter); 50 Hz, 60 Hz or 400 Hz only programmable for 8-channel mode (software filter)				

See also

Diagnostics messages of analog input modules (Page 296)

6.9.4 Additional information on SM 331; AI 8 x RTD

Modes of operation

Operating modes of SM 331; AI 8 x RTD:

- 8-channel mode (hardware filter)
- 8-channel mode (software filter)
- 4-channel mode (hardware filter)

The operating mode influences the module cycle time.

8-channel mode (hardware filter)

In this mode, the module changes between the two channels of each group. The four ADCs of the module simultaneously convert channels 0, 2, 4 and 6. The ADCs first convert the channels with even numbers, and then the channels with the odd numbers 1, 3, 5 and 7 (see the figure below.)

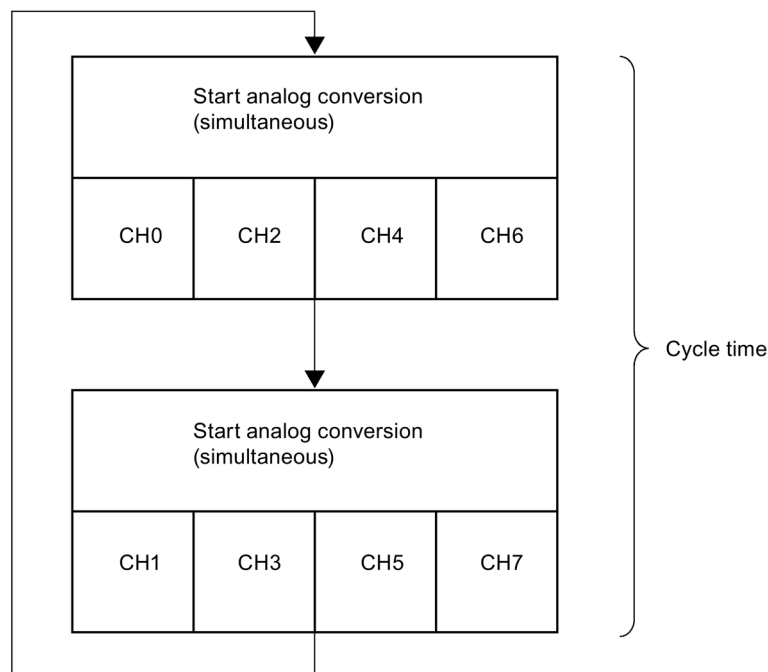


Figure 6-23 8-channel mode cycle time (hardware filter)

Cycle time of module in 8-channel mode

The channel conversion time, including module communication time, is 84 ms. The module must change to the second channel of the group using OptoMOS relays when conversion is completed. Opto-MOS relays require 12 ms for switching and settling. Each channel requires a time of 97 ms, i.e. the total cycle time equals 194 ms.

$$\text{Cycle time} = (t_k + t_u) \times 2$$

$$\text{Cycle time} = (84 \text{ ms} + 16 \text{ ms}) \times 2$$

$$\text{Cycle time} = 200 \text{ ms}$$

t_c : Conversion time for one channel

t_c : Channel changeover time within the channel group

8-channel mode (software filter)

Analog-to-digital conversion in this mode is identical to the conversion in 8-channel mode (hardware filter). The four ADCs of the module simultaneously convert channels 0, 2, 4 and 6. The ADCs first convert the channels with even numbers, and then the channels with the odd numbers 1, 3, 5 and 7 (see the figure below.)

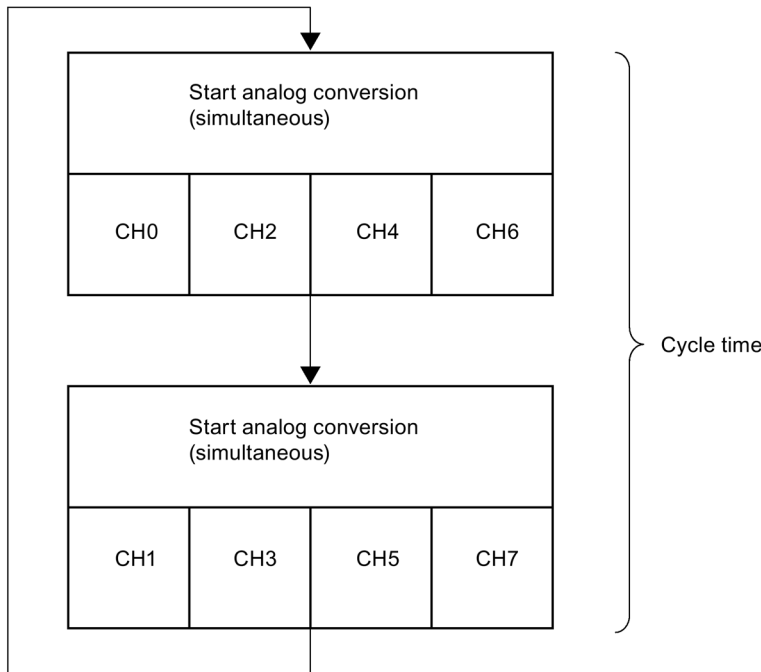


Figure 6-24 8-channel mode cycle time (software filter)

Cycle time of module in 8-channel mode (software filter)

The channel conversion time is based on the programmed interference frequency. The channel conversion time is 32 ms, including communication time, when you set an interference frequency of 50 Hz. The channel conversion time is 27 ms when you set an interference frequency of 60 Hz. You can reduce channel conversion times to 9 ms by setting an interference frequency of 400 Hz. As in "hardware filter, 8channel" mode, the module has to toggle to the second channel of the group within a changeover time of 16 ms using the Opto-MOS relays. The table below shows this correlation.

Table 6- 26 Cycle times in "8-channel mode (software filter)"

Interference frequency	Channel cycle time*	Module cycle time (all channels)
50 Hz	48 ms	96 ms
60 Hz	43 ms	86 ms
400 Hz	25 ms	50 ms

* Channel cycle time = channel conversion time + 12 ms channel changeover time within the group

4-channel mode (hardware filter)

In this mode, the module does not change between the channels of the groups. The four ADCs of the module simultaneously convert the channels 0, 2, 4 and 6.

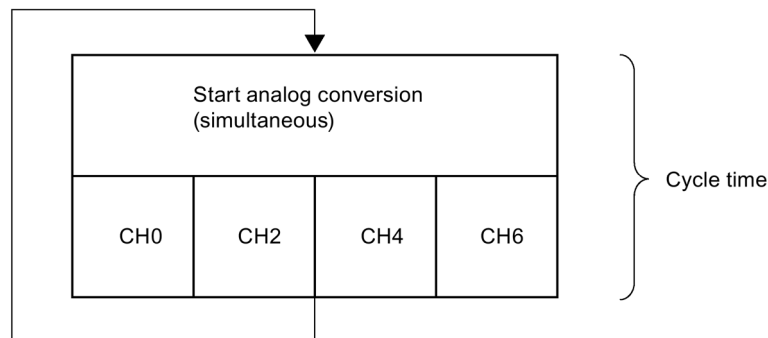


Figure 6-25 4-channel mode cycle time (hardware filter)

Cycle time of the module in 4-channel mode (hardware filter)

The converted value settles to 100% within 80 ms and is updated at intervals of 10 ms when 4-channel mode is set. The channel and module cycle times are always identical, as the module does not change between the channels of a group: 10 ms.

Channel conversion time = channel cycle time = module cycle time = **10 ms**

Cycle time extension due to wire-break monitoring

The wire-break monitoring software function of the module is available in all operating modes.

The cycle time of the module is doubled in **8-channel mode (hardware or software filter)**, irrespective of the number of channels at which wire-break monitoring is enabled.

In **4-channel mode (hardware filter)**, the module interrupts processing of input data for the duration of 100 ms and performs a line continuity check. That is, each line continuity check extends the module cycle time by 100 ms.

Unused channels

In order to avoid incorrect measurements, an unused channel from an active group of channels must be configured. Connect a resistor of the nominal range to the unused channel in order to suppress diagnostics errors.

Set the "disabled" value at the "measurement type" parameter for unused channels. This setting reduces module cycle times.

Short-circuit to M or L

The module does not suffer any damage if you short-circuit an input channel to M or L.. The channel continues to output valid data and does not report a diagnostics event.

End of cycle interrupt

You can synchronize a process with the conversion cycle of the module by enabling the end of cycle interrupt. The interrupt is set when all active channels have been converted.

The table below shows the contents of the 4 bytes of additional OB40 information during process or end of cycle interrupts.

Content of the 4 bytes with additional information	2 ⁷	2 ⁶	2 ⁵	2 ⁴	2 ³	2 ²	2 ¹	2 ⁰	Byte
Special analog flags	2 bits per channel to identify the range								
High limit exceeded at channel	7	6	5	4	3	2	1	0	0
Low limit exceeded at channel	7	6	5	4	3	2	1	0	1
End of cycle event						X			2
Free bit									3

Programming restrictions when operating SM 331; AI 8 x RTD with PROFIBUS masters which only support DPV0.

Certain parameters are not allowed when operating the SM 331; AI 8 x RTD analog input module on an ET 200M PROFIBUS slave system and the PROFIBUS master is not an S7 master.. Non-S7 masters do not support process interrupts. All parameters associated with these functions are disabled for this reason. This includes process interrupt enable, hardware restrictions and end the enabling of cycle interrupts. All other parameters are allowed.

Operating the module on the ET 200M Distributed IO device

Operation of SM 331; AI 8 x RTD on ET 200M requires one of the following IM 153 x:

- IM 153-1; as of 6ES7153-1AA03-0XB0, V 01
- IM 153-2; as of 6ES7153-2AA02-0XB0, V 05
- IM 153-2; as of 6ES7153-2BA00-0XA0; V 01
- IM 153-2; as of 6ES7153-2AA01-0XB0, V 04

6.10 Analog input module SM 331; AI 8 x TC; (6ES7331-7PF11-0AB0)

Order number

6ES7331-7PF11-0AB0

Properties

- 8 inputs in 4 channel groups
- Programmable measurement type at each channel group
 - Temperature
- Programmable resolution at each channel group (15 bits + sign)
- Any measuring range selection per channel group
- Programmable diagnostics and diagnostic interrupt
- Programmable limit value monitoring for 8 channels
- Programmable hardware interrupt when limit is exceeded
- High-speed update of measured values at up to 4 channels
- Programmable hardware interrupt at end of cycle
- Electrically isolated from the CPU
- Supports parameter reassignment in RUN

Resolution

The resolution of measured values is independent of the selected integration time.

Diagnostics

For information on diagnostics messages at the "group diagnostics" parameter, refer to chapter Diagnostic messages of analog input modules (Page 296).

Hardware interrupts

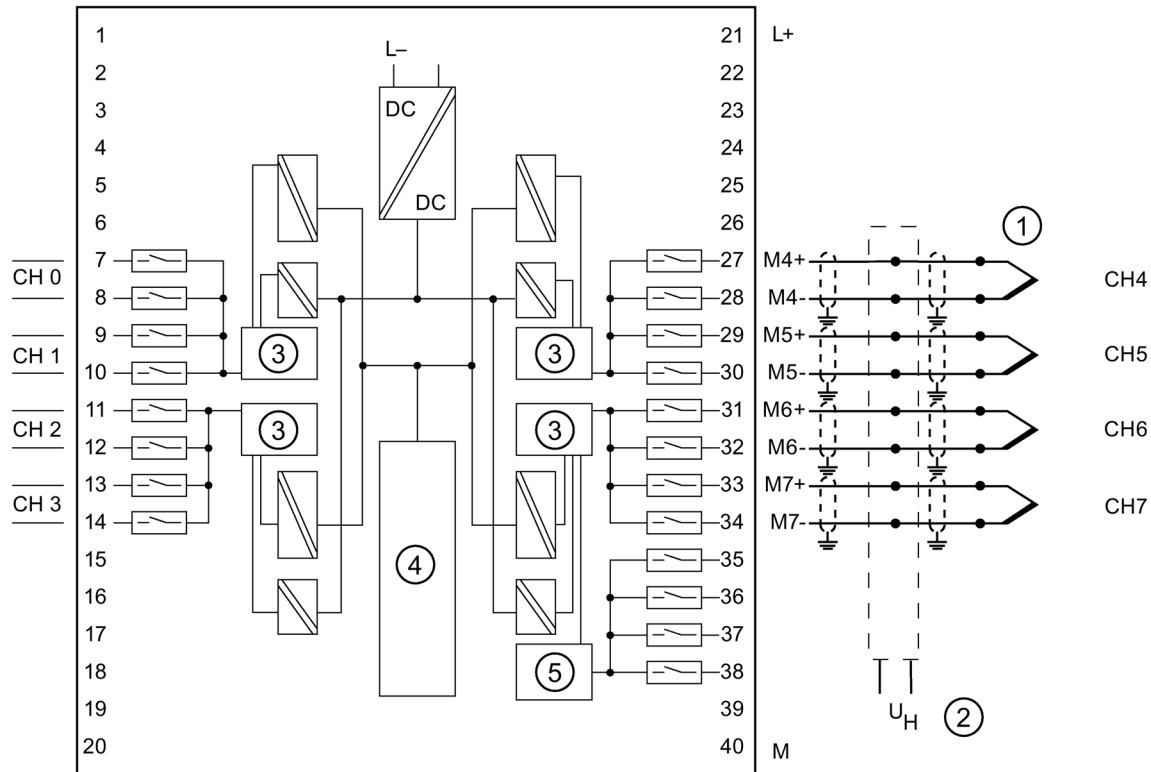
Hardware interrupts for channel groups 0 and 1 can be programmed in *STEP 7*. However, set a hardware interrupt only for the first channel of a channel group, that is, either at channel 0, or at channel 2

Terminal assignment

The diagrams below show various wiring options. These examples apply to all channels (channel 0 to 7).

Wiring: Thermocouple via reference junction

All 8 inputs are available as measurement channels if thermocouples are wired via reference junctions which are regulated to 0 °C or 50 °C.

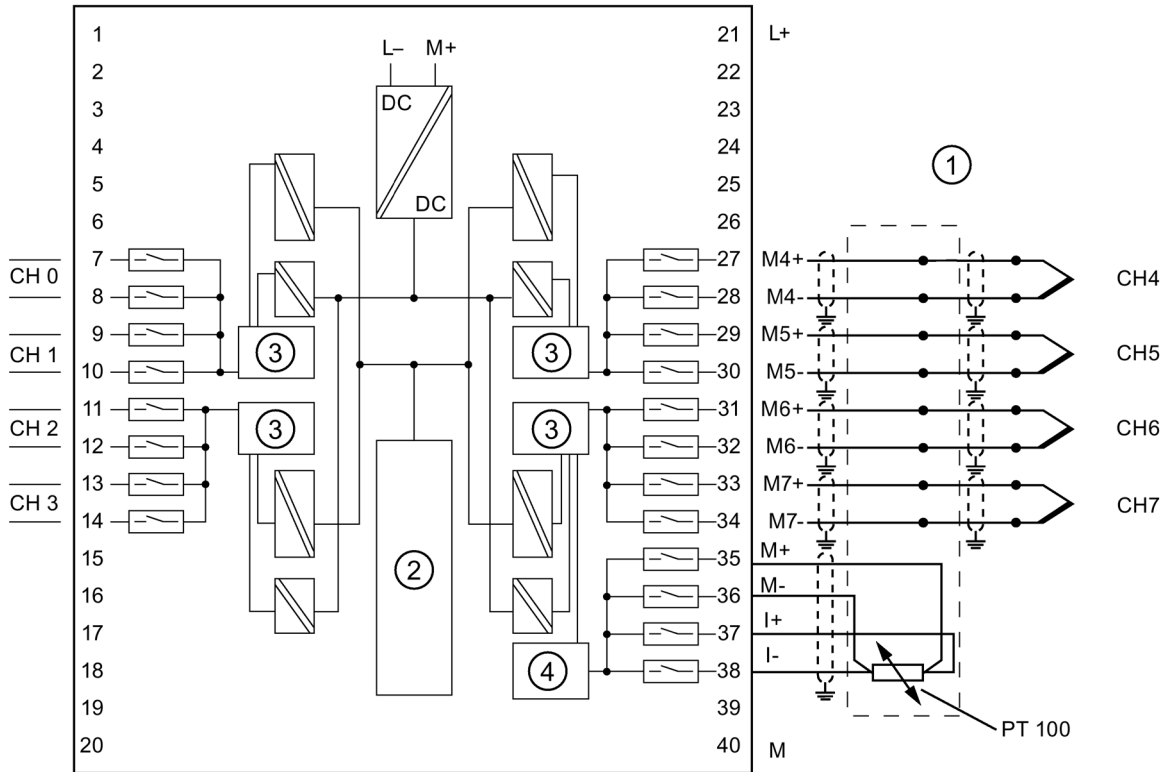


- ① Thermocouple via reference junction
- ② Reference junction regulated to 0 °C or 50 °C
for example, compensation box (per channel) or thermostat
- ③ Analog-to-Digital Converter (ADC)
- ④ Backplane bus interface
- ⑤ External cold spot comparison

Figure 6-26 Wiring and block diagram

Wiring: Thermocouple with external compensation

With this type of compensation, the temperature of the terminals at the reference junction is established using a resistance thermometer Pt100 with a temperature range of -25 °C to 85 °C (see terminals 35 to 38).



- ① Thermocouple with external temperature compensation
- ② Backplane bus interface
- ③ Analog-to-Digital Converter (ADC)
- ④ External cold spot comparison

Figure 6-27 Wiring and block diagram

Wiring: Thermocouple with internal compensation

With this kind of compensation, the module registers the temperature at the reference junction in the connector.

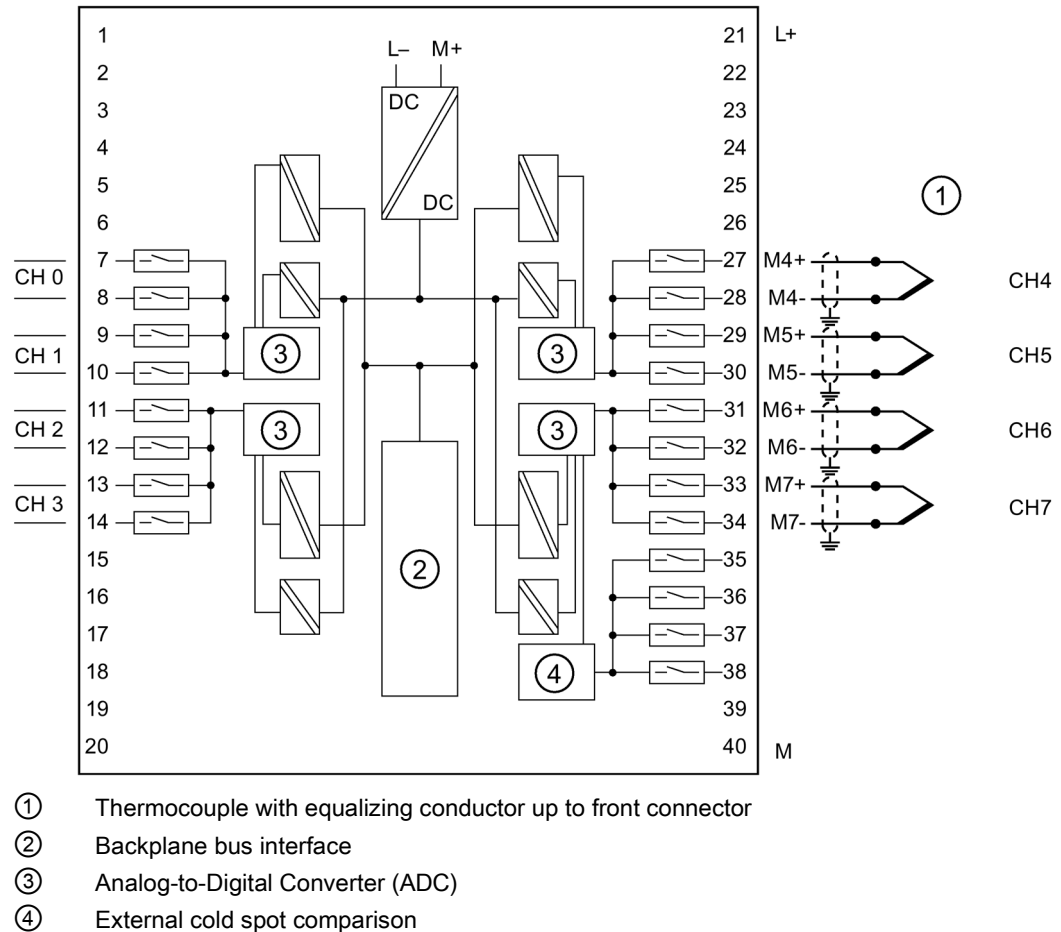


Figure 6-28 Wiring and block diagram

Technical specifications

Technical specifications	
Dimensions and weight	
Dimensions W x H x D (mm)	40 x 125 x117
Weight	approx. 272 g
Module-specific data	
Supports parameter reassignment in RUN	Yes
Response of non-programmed inputs	Return the process value which was valid before configuration
Supports isochronous mode	No
Cable length	max. 100 m
• shielded	

Technical specifications	
Voltages, currents, electrical potentials	
Rated electronics supply voltage L + • Reverse polarity protection	24 V DC Yes
Constant measuring current for resistance-type transmitters	typ. 0.7 mA
Electrical isolation • between channels and the backplane bus • between channels and electronics power supply • between channels in groups of	Yes Yes Yes 2
Isolation test voltage	500 V DC
Current consumption • from the backplane bus • from supply voltage L+	max. 100 mA max. 240 mA
Power loss of the module	typ. 3.0 W
Generation of analog values	
Measuring principle	Integrating
Operating mode	8-channel mode (hardware filter)
Integration/conversion time/resolution (per channel) • programmable • Basic conversion time in ms • additional conversion time for wire-break monitoring in ms • Resolution (including overshoot range) • Interference frequency suppression at interference frequency f1 in Hz	Yes 95 4 16 bits (including sign) 400/60/50
Measured value smoothing	none/weak/medium/strong
Basic execution time of the module (all channels enabled)	196 ms *****
Operating mode	8-channel mode (software filter)
Integration/conversion time/resolution (per channel) • programmable • Basic conversion time in ms • additional conversion time for wire-break monitoring in ms • Resolution (including overshoot range) • Interference frequency suppression at interference frequency f1 in Hz	Yes 23/72/83 4 16 bits (including sign) 400/60/50
Measured value smoothing	none/weak/medium/strong
Basic execution time of the module (all channels enabled)	46/144/166 ms *****
Measuring principle	Integrating

Technical specifications			
Operating mode		4-channel mode (hardware filter)	
Integration/conversion time/resolution (per channel)			
<ul style="list-style-type: none"> programmable Basic conversion time in ms 		Yes 3.3 ms *****	
<ul style="list-style-type: none"> additional conversion time for wire-break monitoring in ms 		93 *	
<ul style="list-style-type: none"> Resolution (including overshoot range) Interference frequency suppression at interference frequency f1 in Hz 		16 bits (including sign) 400/60/50	
Measured value smoothing		none/weak/medium/strong	
Basic execution time of the module (all channels enabled)		10 ms *****	
Interference frequency suppression, error limits			
Interference frequency suppression at $f = n$ ($f1$ 1%), ($f1$ = interference frequency) $n = 1.2$, etc.			
<ul style="list-style-type: none"> Common mode interference ($V_{CM} < 60$ V AC) Series-mode interference (peak interference value < rated input range) 		> 100 dB > 90 dB **	
Crosstalk between inputs		> 100 dB	
Operational limit (across temperature range, relative to the measurement range end value of the input range) (0 to 60 °C) Note: This limit does not cover the temperature-error comparison points.			
<ul style="list-style-type: none"> Thermocouple 			
Type T	-200 °C to	+400 °C	± 0.7 °C
	-230 °C to	-200 °C	± 1.5 °C
Type U	-150 °C to	+600 °C	± 0.9 °C
	-200 °C to	-150 °C	± 1.2 °C
Type E	-200 °C to	+1000 °C	± 1.2 °C
	-230 °C to	-200 °C	± 1.5 °C
Type J	-150 °C to	+1200 °C	± 1.4 °C
	-210 °C to	-150 °C	± 1.7 °C
Type L	-150 °C to	+900 °C	± 1.5 °C
	-200 °C to	-150 °C	± 1.8 °C
Type K	-150 °C to	+1372 °C	± 2.1 °C
	-220 °C to	-150 °C	± 2.9 °C
Type N	-150 °C to	+1300 °C	± 2.2 °C
	-220 °C to	-150 °C	± 3.0 °C
Type R	+100 °C to	+1769 °C	± 1.5 °C
	-50 °C to	+100 °C	± 1.8 °C
Type S	+100 °C to	+1769 °C	± 1.7 °C
	-50 °C to	+100 °C	± 2.0 °C
Type B ****	+800 °C to	+1820 °C	± 2.3 °C
	+200 °C	+800 °C	± 2.5 °C
Type C	+100 °C to	+2315 °C	± 2.3 °C
	0 °C	+100 °C	± 2.5 °C

Technical specifications			
Txk/xk(L)	-150 °C to	+800 °C	± 1.0 °C
	-200 °C	-150 °C	± 1.5 °C
Basic error limit (operational limit at 25 °C, relative to the measurement range end value in the selected input range)			
• Thermocouple			
Type T	-200 °C to	+400 °C	± 0.5 °C
	-230 °C to	-200 °C	± 1.0 °C
Type U	-150 °C to	+600 °C	± 0.5 °C
	-200 °C to	-150 °C	± 1.0 °C
Type E	-200 °C to	+1000 °C	± 0.5 °C
	-230 °C to	-200 °C	± 1.0 °C
Type J	-150 °C to	+1200 °C	± 0.5 °C
	-210 °C to	-150 °C	± 1.0 °C
Type L	-150 °C to	+900 °C	± 0.5 °C
	-200 °C to	-150 °C	± 1.0 °C
Type K	-150 °C to	+1372 °C	± 0.5 °C
	-220 °C to	-150 °C	± 1.0 °C
Type N	-150 °C to	+1300 °C	± 0.5 °C
	-200 °C to	-150 °C	± 1.0 °C
Type R	+100 °C to	+1769 °C	± 0.5 °C
	-50 °C to	+100 °C	± 0.5 °C
Type S	+100 °C to	+1769 °C	± 0.5 °C
	-50 °C to	+100 °C	± 1.0 °C
Type B ****	+800 °C to	+1820 °C	± 1.0 °C
	+200 °C to	+800 °C	± 2.0 °C
Type C	+100 °C to	+2315 °C	± 0.5 °C
	0 °C	+100 °C	± 1.0 °C
Txk/xk(L)	-150 °C to	+800 °C	± 0.5 °C
	-200 °C	-150 °C	± 1.0 °C
Temperature error (relative to input range)		± 0.005%/K	
Linearity error (relative to input range)		±0.02%	
Repeat accuracy (in settled state at 25 °C, relative to input range)***		±0.01%	
Status, interrupts, diagnostics			
Interrupts			
• Hardware interrupt		programmable (channels 0 to 7)	
• Diagnostic interrupt		programmable	
Diagnostic functions		programmable	
• Group error display		red LED (SF)	
• Reading diagnostics information		supported	

Technical specifications	
Encoder selection data	
Input ranges (rated values) / input impedance <ul style="list-style-type: none"> Thermocouples 	Types B, C, N, E, R, S, J, L, T, K, U, TxK/xK (L)/ > 10 megaohms
Maximum voltage at voltage input (destruction limit)	20 V DC continuous; 75 V DC for the duration of max. 1 s (duty factor 1:20)
Characteristics linearization	programmable
Temperature compensation <ul style="list-style-type: none"> Internal temperature compensation External temperature compensation with Pt 100 (0.003850) Compensation for 0 °C reference junction temperature Compensation for 50 °C reference junction temperature Technical unit of temperature measurement 	programmable supported supported supported Degrees Centigrade / degrees Fahrenheit
Wiring of the signal transmitters	using a 40-pin front connector
<p>** Wire-break monitoring in 4-channel mode (hardware filter) at intervals of three seconds.</p> <p>** In 8-channel software mode (software filter), series-mode rejection is reduced as follows:</p> <ul style="list-style-type: none"> 50 Hz > 70 dB 60 Hz > 70 dB 400 Hz > 80 dB <p>*** The operational limit comprises only the basic error of the analog input at Ta = 25 °C and the total temperature error. The total error must include the compensation error of the cold reference junction. Internal compensation of the reference junction = max. 1.5 °C External compensation of the reference junction = accuracy of the used external RTD ± 0.1 °C. External compensation of the reference junction at which the reference junction is maintained at 0 °C or 50 °C = accuracy of the temperature control of the reference junction.</p> <p>**** Due to its small slope of approx. 0 °C to 40 °C, a lack of compensation for the reference junction temperature only has a slight effect with thermocouple type B. With missing compensation and set measuring type "Compensation to 0 °C", the deviation with thermocouple type B at measuring temperatures between:</p> <ul style="list-style-type: none"> 700 °C and 1820 °C is < 0.5 °C 500 °C and 700 °C is < 0.7 °C. <p>If the reference junction temperature is approximately that of the module temperature, "internal compensation" should be set. As a result, the error for the temperature range from 500 °C to 1820 °C is reduced to < 0.5 °C.</p> <p>***** In 4-channel mode, the converted value settles to 100 % within 80 ms. The value determined in this process is set at intervals of 3.3 ms (max. 10 ms).</p> <p>***** If internal or external reference junction compensation is configured, the measured values of all channels are not updated for about 1 s in each minute. ###</p>	

Parameter reassignment in RUN

If you reassign parameters in RUN, the following special characteristic applies.

SF LED is lit:

If a diagnostics was pending prior to reconfiguration, the SF LEDs (on CPU, IM or module) may be lit even though diagnostics is no longer pending and the module is operating correctly.

Solution:

- Only assign new parameters if no diagnostics is pending, or
- unplug module and plug it in again.

6.10.1 Measurement types and measuring ranges

Introduction

The measurement type and range are configured at the "measuring range" parameter in *STEP 7*.

Table 6- 27 Measurement types and ranges

Selected type of measurement	Measuring range
TC-L00C: (thermocouple, linear, 0 °C reference temperature)	Type B Type C
TC-L50C: (thermocouple, linear, 50 °C reference temperature)	Type E Type J
TC-IL: (thermocouple, linear, internal comparator)	Type K Type L
TC-EL: (thermocouple, linear, external comparison)	Type N Type R Type S Type T Type U Type Txk / xk (L)

Channel groups

The channels of SM 331; AI 8 x TC are arranged in four groups of two channels. You can assign parameters only to one channel group.

The table below shows the relevant configuration of channel groups. The channel group number is required to program SFC parameters in the user program.

Table 6- 28 Assignment of SM 331; AI 8 x TC channels to channel groups

Channels form one channel group each
Channel 0	Channel group 0
Channel 1	
Channel 2	Channel group 1
Channel 3	
Channel 4	Channel group 2
Channel 5	
Channel 6	Channel group 3
Channel 7	

6.10.2 Adjustable parameters

Introduction

For general information on programming analog modules, refer to the chapter Programming analog modules (Page 294).

Parameters

Table 6- 29 Parameters of SM 331; AI 8 x TC

Parameters	Range of values	Default	Parameter type	Scope
Enable				
<ul style="list-style-type: none"> • Diagnostics interrupt 	yes/no	no	dynamic	Module
<ul style="list-style-type: none"> • Process interrupt when limit exceeded 	yes/no	no		
<ul style="list-style-type: none"> • Process interrupt at end of cycle 	yes/no	no		
Process interrupt trigger				
<ul style="list-style-type: none"> • High limit 	32511 to -32512	32767	dynamic	Channel
<ul style="list-style-type: none"> • Low limit 	from - 32512 to 32511	-32768		

Parameters	Range of values	Default	Parameter type	Scope
Diagnostics <ul style="list-style-type: none"> Group diagnostics with line continuity check 	yes/no yes/no	no no	static	Channel group
Measurement <ul style="list-style-type: none"> Measurement type 	disabled TC-IL thermocouple (linear, internal comparison) TC-EL thermocouple (linear, external comparison) TC-L00C thermocouple (linear, ref. temp. 0 °C) TC-L50C thermocouple (linear, ref. temp. 50 °C)	TC-IL	dynamic	Channel group
<ul style="list-style-type: none"> Measuring range 	See table Measurement types and measuring ranges (Page 404)	Type K		
<ul style="list-style-type: none"> Reaction to open thermocouple 	Overflow; underflow	Overflow		
<ul style="list-style-type: none"> Temperature unit 	Degrees Centigrade; degrees Fahrenheit	degrees Centigrade	dynamic	Module
<ul style="list-style-type: none"> Mode of operation 	8-channel mode (hardware filter) 8-channel mode (software filter) 4-channel mode (hardware filter)	8 channels, hardware filter	dynamic	Module
<ul style="list-style-type: none"> Noise suppression* 	50/60/400 Hz; 400 Hz; 60 Hz; 50 Hz;	50/60/400 Hz	dynamic	Channel group
<ul style="list-style-type: none"> Smoothing 	none weak medium strong	none	dynamic	Channel group
* 50/60/400 Hz only programmable for 8-channel mode (hardware filter) and 4-channel mode (hardware filter); 50 Hz, 60 Hz or 400 Hz only programmable for 8-channel mode (software filter)				

See also

Diagnostics messages of analog input modules (Page 296)

6.10.3 Additional information on SM 331; AI 8 x TC

Modes of operation

Operating modes of SM 331; AI 8 x TC:

- 8-channel mode (hardware filter)
- 8-channel mode (software filter)
- 4-channel mode (hardware filter)

The operating mode influences the module cycle time.

8-channel mode (hardware filter)

In this mode, the module changes between the two channels of each group. The four ADCs of the module simultaneously convert channels 0, 2, 4 and 6. The ADCs first convert the channels with even numbers, and then the channels with the odd numbers 1, 3, 5 and 7 (see the figure below.)

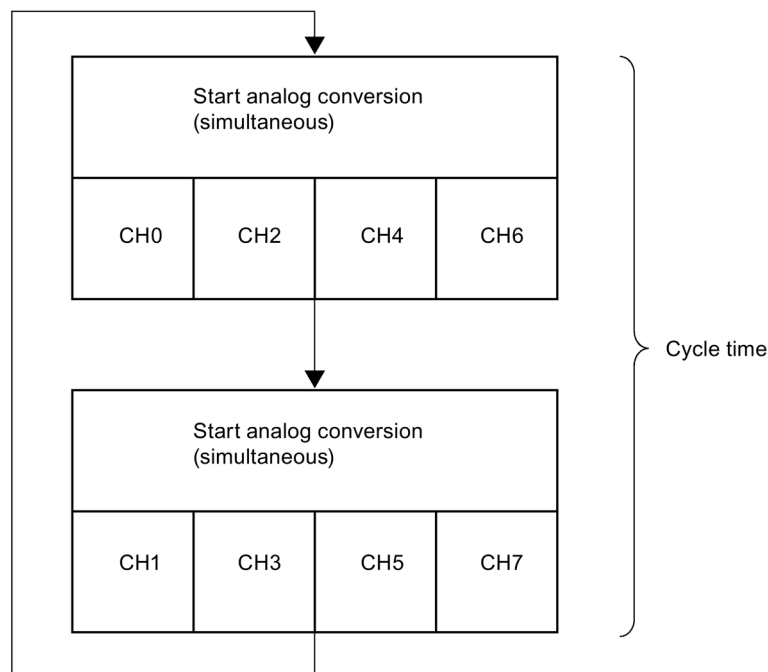


Figure 6-29 8-channel mode cycle time (hardware filter)

Cycle time of the module in 8-channel mode (hardware filter)

The channel conversion time, including module communication time, is 91 ms. The module must change to the second channel of the group using OptoMOS relays when conversion is completed. Opto-MOS relays require 7 ms for switching and settling. Each channel requires a time of 98 ms, i.e. the total cycle time equals 196 ms.

$$\text{Cycle time} = (t_k + t_u) \times 2$$

$$\text{Cycle time} = (91 \text{ ms} + 7 \text{ ms}) \times 2$$

$$\text{Cycle time} = \mathbf{196 \text{ ms}}$$

t_c : Conversion time for one channel

t_c : Time for changing over to the other channel in a channel group

8-channel mode (software filter)

Analog-to-digital conversion in this mode is similar to conversion in 8-channel mode (hardware filter). The four ADCs of the module simultaneously convert channels 0, 2, 4 and 6. The ADCs first convert the channels with even numbers, and then the channels with the odd numbers 1, 3, 5 and 7 (see the figure below.)

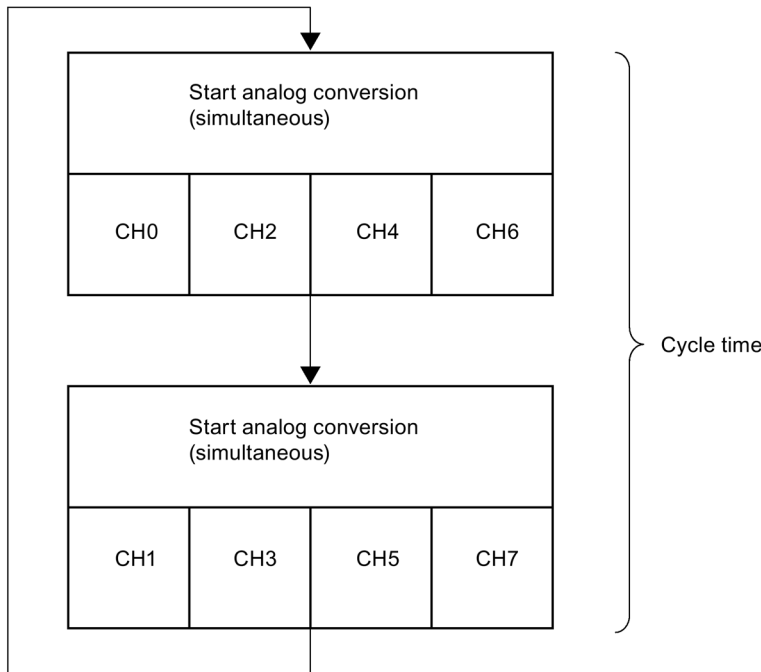


Figure 6-30 8-channel mode cycle time (software filter)

Cycle time of module in 8-channel mode (software filter)

However, the channel conversion time is oriented on the programmed noise suppression. The channel conversion time is 76 ms, including communication time, when you set an interference frequency of 50 Hz. The channel conversion time is 65 ms when you set an interference frequency of 60 Hz. You can reduce channel conversion times to 16 ms by setting an interference frequency of 400 Hz. As in "hardware filter, 8channel" mode, the module has to change to the second channel of the group within a changeover time of 7 ms using the Opto-MOS relays. The table below shows this correlation.

Table 6- 30 Cycle times in 8-channel mode (software filter)

Programmed noise suppression	Channel cycle time*	Module cycle time (all channels)
50 Hz	83 ms	166 ms
60 Hz	72 ms	144 ms
400 Hz	23 ms	46 ms

* Channel cycle time = channel conversion time +7 ms channel changeover time within the group

4-channel mode (hardware filter)

In this mode, the module does not change between the channels of the groups. The four ADCs of the module simultaneously convert the channels 0, 2, 4 and 6.

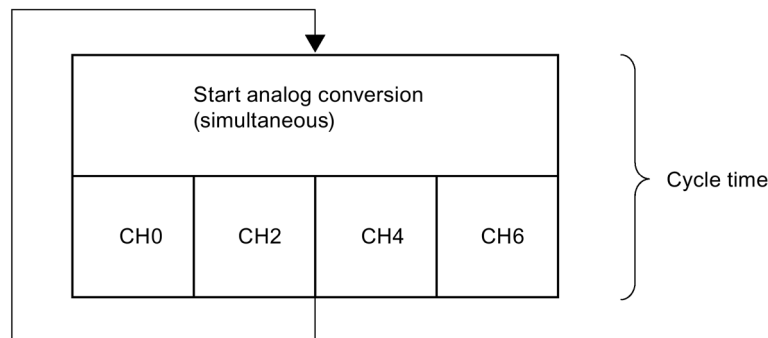


Figure 6-31 4-channel mode cycle time (hardware filter)

Cycle time of the module in 4-channel mode (hardware filter)

The converted value settles to 100 % within 80 ms and is updated every 10 ms when 4-channel mode is set. The channel and module cycle times are always identical, as the module does not change between the channels of a group: 10 ms.

Channel conversion time = channel cycle time = module cycle time = **10 ms**

Cycle time extension due to wire-break monitoring

The wire-break monitoring software function of the module is available in all operating modes.

The 8-channel mode (hardware or software filter modes) extends module cycle times by 4 ms, irrespective of the number of channels at which wire-break monitoring is enabled.

In 4-channel mode (hardware filter), the module interrupts processing of input data for the duration of 170 ms and performs a line continuity check. That is, each line continuity check extends the module cycle time by 93 ms.

Unused channels

Set the "disabled" value at the "measurement type" parameter for unused channels. This setting reduces module cycle times.

You must short-circuit all unused channels of an active group, that is, you short-circuit the positive and negative inputs of these channels.

Effect of this measure:

- Measurement errors at the channels used of a group are avoided
- Diagnostic messages from the unused channel in a group are suppressed

Short-circuit to M or L

The module does not suffer any damage if you short-circuit an input channel to M or L.. The channel continues to output valid data and does not report a diagnostics event.

Special features of channel groups with respect to hardware interrupts upon limit violation

You can set the high and low limits triggering hardware interrupts separately for each channel in *STEP 7*.

End of cycle interrupt

You can synchronize a process with the conversion cycle of the module by enabling the end of cycle interrupt. The interrupt is set when all active channels have been converted.

Table 6- 31 The table below shows the contents of the 4 bytes of additional OB40 information during process or end of cycle interrupts.

Content of the 4 bytes with additional information	2 ⁷	2 ⁶	2 ⁵	2 ⁴	2 ³	2 ²	2 ¹	2 ⁰	Byte
Special analog flags	2 bits per channel to identify the range								
High limit exceeded at channel	7	6	5	4	3	2	1	0	0
Low limit exceeded at channel	7	6	5	4	3	2	1	0	1
End of cycle event						X			2
Free byte									3

Programming restrictions when operating SM 331; AI 8 x TC with PROFIBUS masters which only support DPV0.

When operating the SM 331; AI 8 xTC analog input module on an ET 200M PROFIBUS slave system and the PROFIBUS master is not an S7 master, certain parameters are not permitted. Non-S7 masters do not support hardware interrupts. All parameters associated with these functions are disabled for this reason. This includes hardware interrupt enable, hardware restrictions and end of cycle interrupt enable. All other parameters are allowed.

Operating the module on the ET 200M Distributed IO device

Operation of SM 331; AI 8 x TC on ET 200M requires one of the following IM 153 x:

- IM 153-1; as of 6ES7153-1AA03-0XB0, E 01
- IM 153-2; as of 6ES7153-2AA02-0XB0, E 05
- IM 153-2; as of 6ES7153-2AB01-0XB0, E 04

6.11 Analog input module SM 331, AI 6 x TC isolated (6ES7331-7PE10-0AB0)

Order number

6ES7331-7PE10-0AB0

Properties

The SM 331; AI 6 x TC isolated analog input module has the following properties:

- 6 inputs in one group
- Electrical isolation 250 VAC between channels
- Support for user calibration via SIMATIC PDM
- Compensation via internal or external cold spot comparison, or via remote access by means of a separate thermoresistor module.
- Measurement type can be set for each channel
 - Voltage
 - Temperature
- Resolution of 15 bits + sign
- Any measuring range for each channel
- Programmable diagnostics and diagnostic interrupt
- Limit value monitoring can be set for 6 channels
- Programmable hardware interrupt when limit is exceeded
- Electrically isolated from the CPU

Resolution

The maximum resolution of the measured value (15 bits + sign or 0.1 K) is independent of the programmed integration time.

Diagnostics

For information on diagnostics messages at the "group diagnostics" parameter, refer to chapter Diagnostic messages of analog input modules (Page 296).

Hardware interrupts

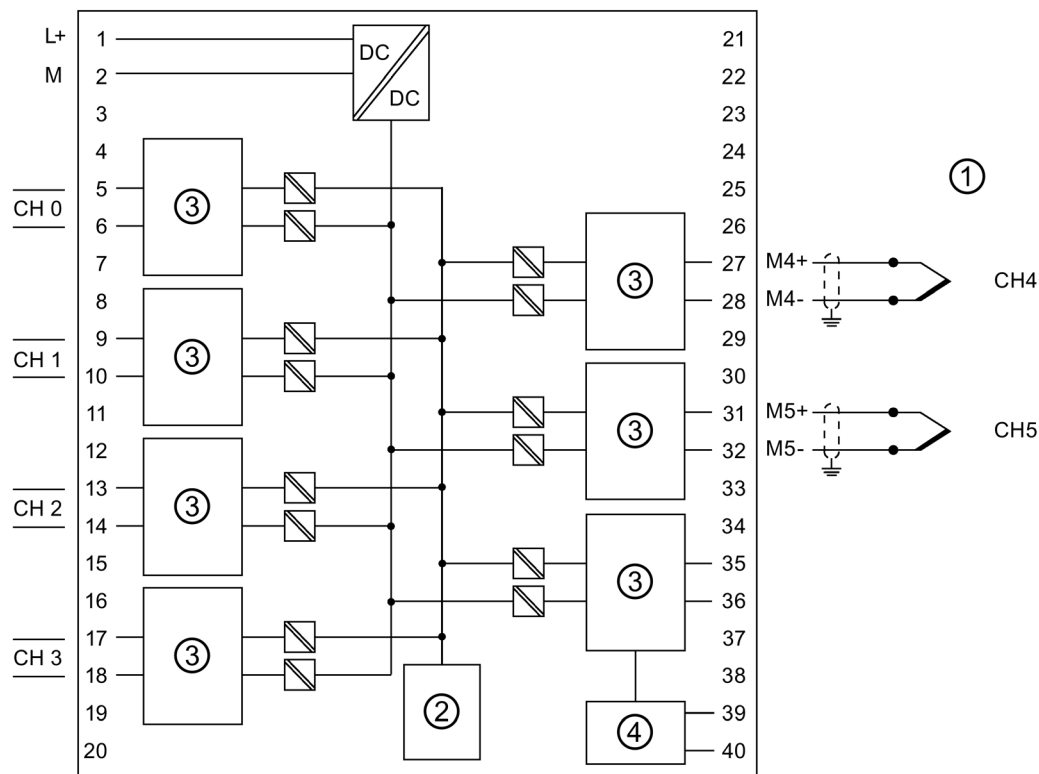
Hardware interrupts can be set in *STEP 7* for all channels.

Terminal assignment

The figures below show various connection possibilities. These examples apply to all channels (channels 0 to 5).

Wiring: Thermocouple with internal compensation

With this kind of compensation, the module detects the temperature at the reference junction of the connector.

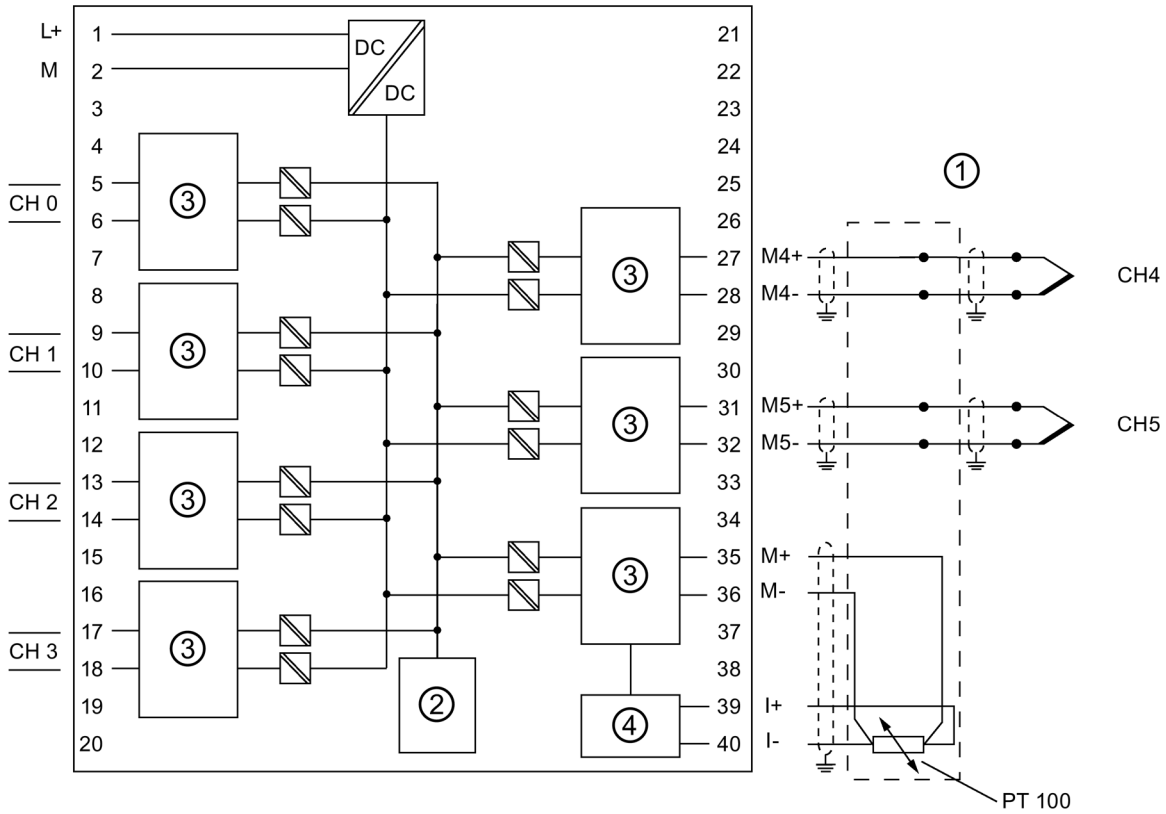


- ① Thermocouple with compensating line (extension) to front connector
- ② Backplane bus interface
- ③ Analog digital converter (ADC)
- ④ External cold spot comparison (ADC and current source)

Figure 6-32 Internal compensation

Wiring: Thermocouple with external compensation

With this type of compensation, the temperature of the terminals at the reference junction is established using a Pt 100 Klima resistance thermometer with a temperature range of -145 °C to +155 °C (see terminals 35, 36, 39, and 40).



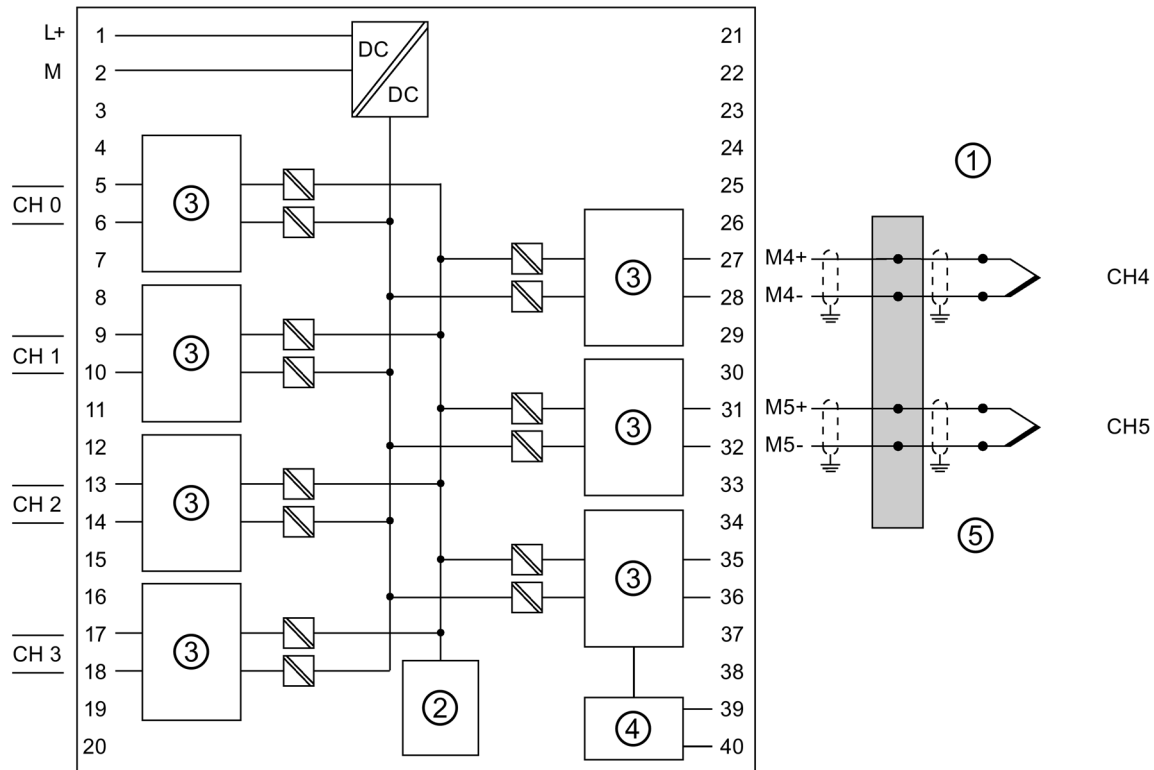
- ① Thermocouple with terminal for external temperature compensation via copper wire at front connector
- ② Backplane bus interface
- ③ Analog digital converter (ADC)
- ④ External cold spot comparison (ADC and current source)

Figure 6-33 External compensation

If no Pt 100 resistance thermometer is available, the reference junction can be read using a thermoresistor module. The measured temperature values are then transferred to module AI 6 x TC via data record 2 (for details on the structure of data record 2, see the figure "Structure of data record 2 for TC").

Wiring: Thermocouple via reference junction

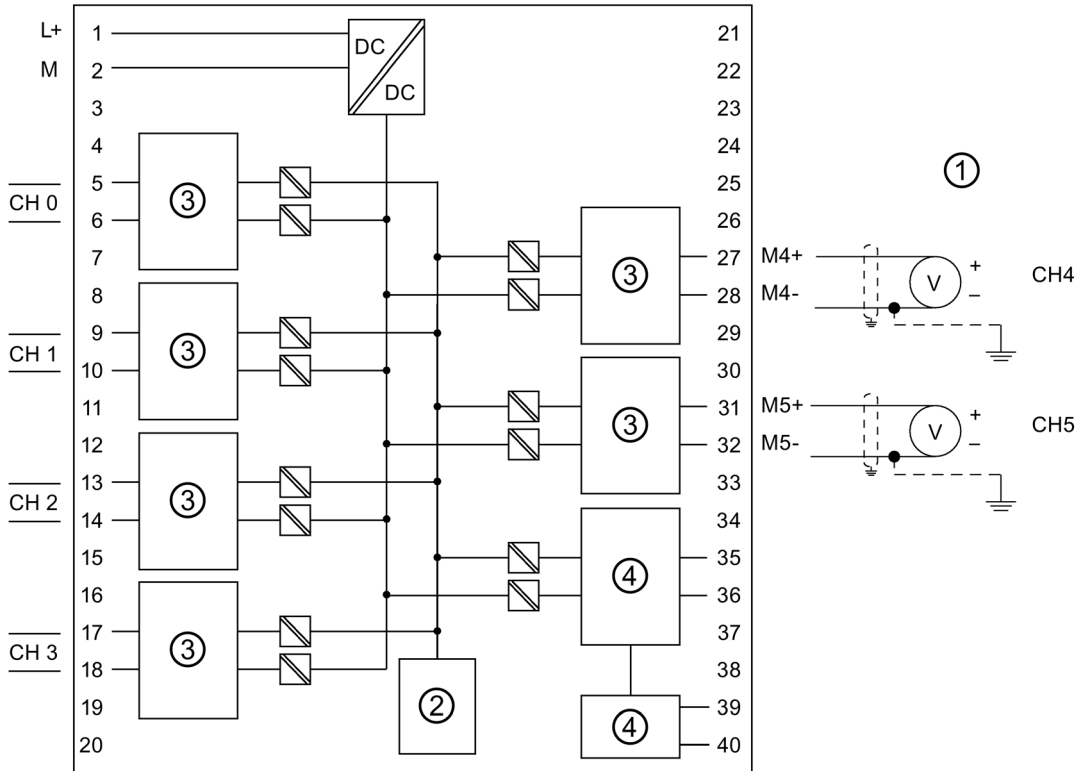
With this kind of compensation, the temperature of the terminals at the reference junction is regulated at 0 °C or 50 °C.



- ① Thermocouple via reference-junction terminal with copper wire at front connector
- ② Backplane bus interface
- ③ Analog digital converter (ADC)
- ④ External cold spot comparison (ADC and current source)
- ⑤ Reference junction regulated at 0 °C or 50 °C, for example, via compensation box (for each channel) or a thermostat

Figure 6-34 Reference junction

Wiring: Voltage input



- ① Applied input voltage
- ② Backplane bus interface
- ③ Analog digital converter (ADC)
- ④ External cold spot comparison (ADC and current source)

Figure 6-35 Voltage input

Technical specifications

Technical specifications	
Dimensions and weight	
Dimensions (W x H x D) (mm)	40 x 125 x 120
Weight	approx. 272 g
Module-specific data	
Supports isochronous mode	No
Cable length	Max. 200 m Max. 80 m in voltage ranges ≤ 80 mV and where thermo-couples are used.
• shielded	

Technical specifications	
Voltages, currents, electrical potentials	
Rated electronics supply voltage L + • Reverse polarity protection	24 VDC Yes
Constant measuring current for resistance-type transmitters	Typ. 0.9 mA
Electrical isolation • between channels and the backplane bus • between channels and electronics power supply • between channels In groups of	Yes Yes Yes 1
Maximum potential difference • between channels (U_{CM}) • Between the channels and $M_{internal}$ (V_{iso})	250 VAC 250 VAC
Isolation test voltage	2,500 VDC
Current consumption • from the backplane bus • from supply voltage L+	max. 100 mA max. 150 mA
Power loss of the module	Typ. 2.2 W
Generation of analog values	
Measuring principle	Integrating
• Integration/conversion time/resolution (per channel) programmable	Yes
• Integration time in ms ⁽¹⁾	10/16.67/20/100
• Basic conversion time in ms ⁽²⁾	30/50/60/300
• Additional conversion time for wire-break monitoring	65 ms
• Resolution (including overshoot range)	15 bits + sign
• Interference frequency suppression at interference frequency f_1 in Hz	400/60/50/10
Measured value smoothing	none/weak/medium/strong

Technical specifications			
Interference frequency suppression, error limits			
Interference frequency suppression at $f = n \times (f1 \pm 1\%)$, ($f1 =$ interference frequency) $n = 1.2$, etc.			
<ul style="list-style-type: none"> Common mode interference (CMV < 250 VAC) Series-mode interference (peak interference value < rated input range) 		> 130 dB ⁽³⁾	> 90 dB
Crosstalk between inputs		> 130 dB ⁽³⁾	
Operational limit (across entire temperature range, relative to measurement range end value in the selected input range, 0-60 °C). Note: This limit does not cover the temperature-error comparison points.			
Voltage input			
<ul style="list-style-type: none"> ± 25 mV ± 50 mV ± 80 mV ± 250 mV ± 500 mV ± 1 V 		± 0.12%	± 0.08%
		± 0.06%	± 0.05%
		± 0.05%	± 0.05%
		± 0.05%	± 0.05%
		± 0.05%	± 0.05%
		± 0.05%	± 0.05%
Thermocouple ^{(4) (5)}			
Type T	-200 °C to	+400 °C	± 0.6 °C
	-230 °C to	-200 °C	± 1.6 °C
Type U	-150 °C to	+600 °C	± 0.9 °C
	-200 °C to	-150 °C	± 1.2 °C
Type E	-200 °C to	+1000 °C	± 0.5 °C
	-230 °C to	-200 °C	± 1.3 °C
Type J	-150 °C to	+1200 °C	± 0.5 °C
	-210 °C to	-150 °C	± 1.2 °C
Type L	-150 °C to	+900 °C	± 0.9 °C
	-200 °C to	-150 °C	± 1.7 °C
Type K	-150 °C to	+1372 °C	± 0.8 °C
	-220 °C to	-150 °C	± 1.6 °C
Type N	-150 °C to	+1300 °C	± 1.1 °C
	-220 °C to	-150 °C	± 1.9 °C
Type R	+100 °C to	+1769 °C	± 1.2 °C
	-50 °C to	+100 °C	± 2.2 °C
Type S	+100 °C to	+1769 °C	± 1.2 °C
	-50 °C to	+100 °C	± 1.9 °C
Type B ⁽⁵⁾	+700 °C to	+1820 °C	± 1.7 °C
	+500 °C to	+700 °C	± 1.9 °C
	+200 °C to	+500 °C	± 4.4 °C
Type C	+100 °C to	+2315 °C	± 2.3 °C
	0 °C	+100 °C	± 2.5 °C
Type TxK/XK(L)	-150 °C	+800 °C	± 1.0 °C
	-200 °C	-150 °C	± 1.5 °C

Technical specifications			
Basic error limit (operational limit at 25 °C, relative to the measurement range end value in the selected input range)			
Voltage input			
• ± 25 mV			± 0.04%
• ± 50 mV			± 0.03%
• ± 80 mV			± 0.03%
• ± 250 mV			± 0.02%
• ± 500 mV			± 0.02%
• ± 1 V			± 0.02%
Thermocouple ⁽⁵⁾			
Type T	-150 °C to	+400 °C	± 0.4 °C
	-230 °C to	-150 °C	± 1.0 °C
Type U	-150 °C to	+600 °C	± 0.4 °C
	-200 °C to	-150 °C	± 1.0 °C
Type E	-100 °C to	+1000 °C	± 0.2 °C
	-230 °C to	-100 °C	± 1.0 °C
Type J	-150 °C to	+1200 °C	± 0.2 °C
	-210 °C to	-150 °C	± 0.5 °C
Type L	-50 °C to	+900 °C	± 0.4 °C
	-200 °C to	-50 °C	± 1.0 °C
Type K	-100 °C to	+1372 °C	± 0.3 °C
	-220 °C to	-100 °C	± 1.0 °C
Type N	-150 °C to	+1300 °C	± 0.5 °C
	-220 °C to	-150 °C	± 1.2 °C
Type R	+200 °C to	+1769 °C	± 0.8 °C
	-50 °C to	+200 °C	± 1.5 °C
Type S	+100 °C to	+1769 °C	± 0.8 °C
	-50 °C to	+100 °C	± 1.5 °C
Type B ⁽⁵⁾	+700 °C to	+1820 °C	± 1.0 °C
	+500 °C to	+700 °C	± 1.3 °C
	+200 °C to	+500 °C	± 3.0 °C
Type C	+100 °C to	+2315 °C	± 0.5 °C
	0 °C to	+100 °C	± 1.0 °C
Type TxK/XK(L)	-150 °C to	+800 °C	± 0.5 °C
	-200 °C to	-150 °C	± 1.0 °C
The accuracy of the temperature measurement with <i>internal compensation (terminal temperature)</i> is derived from: ⁽⁴⁾ ⁽⁶⁾		<ul style="list-style-type: none"> • Error for the analog input of the type of thermocouple used • Measuring accuracy for the temperature of the internal reference junction ± 1.5 K 	

Technical specifications	
The accuracy of the temperature measurement <i>with external compensation by means of thermoresistors connected locally or via remote access by means of an external thermoresistor module</i> is derived from: ⁽⁴⁾	<ul style="list-style-type: none"> • Error for the analog input of the type of thermocouple used • Measuring accuracy for the type of thermoresistor used for compensation purposes • Error for the compensation input (local connection) $\pm 0.5 \text{ K}$ • Error for the thermoresistor module (remote connection)
The accuracy of the temperature measurement with <i>compensation of the external reference junction, which is maintained at 0 °C/50 °C</i> , is derived from: ⁽⁴⁾	<ul style="list-style-type: none"> • Error for the analog input of the type of thermocouple used • Measuring accuracy for the temperature of the reference junction
Temperature error (relative to input range)	
Voltage input <ul style="list-style-type: none"> • $\pm 25 \text{ mV}$ • $\pm 50 \text{ mV}$ • $\pm 80 \text{ mV}$ • $\pm 250 \text{ mV}$ • $\pm 500 \text{ mV}$ • $\pm 1 \text{ V}$ 	$\pm 0.0023\%/K$ $\pm 0.0015\%/K$ $\pm 0.0010\%/K$ $\pm 0.0010 \%/K$ $\pm 0.0010 \%/K$ $\pm 0.0010\%/K$
Thermocouple (at integration time of 100 ms) <ul style="list-style-type: none"> Type T Type U Type E Type J Type L Type K Type N Type R Type S Type B Type C Type TxK/XK(L) 	$\pm 0.0060 \text{ K/K}$ $\pm 0.0175 \text{ K/K}$ $\pm 0.0086 \text{ K/K}$ $\pm 0.0086 \text{ K/K}$ $\pm 0.0175 \text{ K/K}$ $\pm 0.0143 \text{ K/K}$ $\pm 0.0175 \text{ K/K}$ $\pm 0.0115 \text{ K/K}$ $\pm 0.0115 \text{ K/K}$ $\pm 0.0200 \text{ K/K}$ $\pm 0.0515 \text{ K/K}$ $\pm 0.0143 \text{ K/K}$
Linearity error (relative to input range)	$\pm 0.05\%$
Repeat accuracy (in settled state at 25 °C, relative to input range)	$\pm 0.05\%$

Technical specifications		
Status, interrupts, diagnostics		
Interrupts		
<ul style="list-style-type: none"> • Hardware interrupt • Diagnostic interrupt 	Programmable (channels 0 to 5) programmable	
Diagnostic functions	programmable	
<ul style="list-style-type: none"> • Group error display • Reading diagnostics information 	red LED (SF) Supported	
Sensor selection data		
Input ranges (rated values) / input impedance		
<ul style="list-style-type: none"> • Thermocouple • Voltage 	Type B, C, N, E, R, S, J, L, T, K, U, TxK/XK (L)	10 M Ω
	± 25 mV	10 M Ω
	± 50 mV	10 M Ω
	± 80 mV	10 M Ω
	± 250 mV	10 M Ω
	± 500 mV	10 M Ω
	± 1 V	
Maximum input voltage for voltage input (destruction limit)	35 VDC continuous; 75 VDC for the duration of max. 1 s (duty factor 1:20)	
Characteristics linearization	programmable	
Temperature compensation	programmable	
<ul style="list-style-type: none"> • Internal temperature compensation • External temperature compensation with Pt 100 • Compensation for 0 °C reference junction temperature • Compensation for 50 °C reference junction temperature • Technical unit of temperature measurement 	Supported Supported Supported Supported Degrees Centigrade/Degrees Fahrenheit/Kelvin	

Technical specifications	
Wiring of the signal sensors	using a 40-pin front connector
<ol style="list-style-type: none"> 1. The integration time of the module at 400 Hz suppression is displayed in HW Config as 2.5 ms. To achieve the required resolution of 15 bits (plus sign), an integration time of 10 ms is needed. 2. If wire-break monitoring is active, the module cycle is performed within the basic conversion time + 65 ms. and the reaction time to a change in the step input is no longer than twice the module-cycle time. If wire-break monitoring is inactive, in the best-case scenario the module-cycle time is exactly the same as the integration time. However, this time interval cannot be guaranteed due to the time needed to process the input channels. If wire-break monitoring is inactive, the reaction time to a change in the step input is no longer than four times the integration time. 3. Common mode interference suppression and crosstalk between inputs are executed at > 130 dB, if 10 Hz, 50 Hz, or 60 Hz has been selected as the interference frequency. If 400 Hz has been selected as the interference frequency, common mode interference suppression and crosstalk between inputs are implemented at > 110 dB 4. The operational limit comprises only the basic error of the analog input at Ta = 25 °C and the total temperature error. The total error must include the compensation error of the cold reference junction. Internal compensation of the reference junction = max. 1.5 °C External compensation of the reference junction = accuracy of the external thermoresistor used ± 0.1 °C. External compensation of the reference junction, which maintains the reference junction at 0 °C or 50 °C = accuracy of temperature control for the reference junction. 5. An integration time of 100 ms is recommended for thermocouple measurements. Integration times set lower than this will result in a higher repeat-accuracy error for the temperature measurements. 6. With thermocouple type B, a missing compensation of the reference junction temperature has no significant effect owing to its slight increase from approx. 0 °C to 40 °C. With missing compensation and set measuring type "Compensation to 0 °C", the deviation with thermocouple type B at measuring temperatures between: <ul style="list-style-type: none"> - 700 °C and 1820 °C is < 0.5 °C - 500 °C and 700 °C is < 0.7 °C. <p>If the reference junction temperature is approximately that of the module temperature, "internal compensation" should be set. As a result, the error for the temperature range from 500 °C to 1820 °C is reduced to < 0.5 °C.</p> 	

6.11.1 Measurement types and measuring ranges

Measurement types and measuring ranges

The measurement type and measuring range is configured at the "measuring range" parameter in *STEP 7*.

Selected measurement type	Measuring range
Voltage	± 25 mV ± 50 mV ± 80 mV ± 250 mV ± 500 mV ± 1 V
TC-L00C: (thermocouple, linear, 0 °C reference temperature) TC-L50C: (thermocouple, linear, 50 °C reference temperature) TC-IL: (thermocouple, linear, internal comparison) TC-EL: (thermocouple, linear, external comparison)	Type B Type C Type E Type J Type K Type L Type N Type R Type S Type T Type U Type TxK/XK(L)

6.11.2 Programmable parameters

Adjustable parameters

For general information on programming analog modules, refer to the section titled Programming analog modules (Page 294).

Parameters	Range of values	Default	Type of parameter	Scope
Diagnostics <ul style="list-style-type: none"> Group diagnostics With wirebreak monitoring 	Yes/no Yes/no	No No	Static	Channel
Enable <ul style="list-style-type: none"> Diagnostic interrupt Hardware interrupt when limit exceeded Auto-calibration 	Yes/no Yes/no Yes/no	No No Yes	Dynamic	Module
<ul style="list-style-type: none"> Temperature unit 	Degrees Celsius; degrees Fahrenheit; Kelvin	degrees Celsius	Dynamic	Module
<ul style="list-style-type: none"> Interference frequency suppression 	400 Hz; 60 Hz; 50 Hz; 10 Hz	50 Hz	Dynamic	Module
Measurement <ul style="list-style-type: none"> Measurement type 	disabled TC-IL thermocouple (linear, internal comparison) TC-EL thermocouple (linear, external comparison) TC-L00C thermocouple (linear, 0 °C reference temperature) TC-L50C thermocouple (linear, 50 °C reference temperature)	TC-IL:	Dynamic	Channel
<ul style="list-style-type: none"> Measuring range 	See chapter Measurement types and measuring ranges (Page 423)	Type K		
<ul style="list-style-type: none"> Response to open thermocouple 	Overflow; underflow	Overflow	Dynamic	Channel
<ul style="list-style-type: none"> Smoothing 	None Low Average High	None	Dynamic	Channel
<ul style="list-style-type: none"> External reference junction 	Local thermoresistor	Local thermoresistor	Dynamic	Channel

Parameters	Range of values	Default	Type of parameter	Scope
<ul style="list-style-type: none"> Temperature coefficient 	0.003850 (IPTS-68) 0.003850 (ITS-90) 0.003916 0.003902 0.003920 0.003910 (GOST)	0.003850 (IPTS-68)	Dynamic	Module
Hardware-interrupt trigger <ul style="list-style-type: none"> High limit Low limit 	32511 to -32512 From - 32512 to 32511	32767 -32768	Dynamic	Channel

6.11.3 Additional information relating to SM 331; AI 6 x TC

Using the module

The following hardware and software requirements must be met to use the SM 331; AI 6 x TC isolated S7-300 analog input module:

- If the module is to be used centrally in S7-300, all CPUs must have firmware version 2.6 or higher (with the exception of 6ES7318-2AJ00-0AB0).
- If the module is to be used on a distributed basis in ET 200M, the following IM 153 modules are suitable:
 6ES7153-1AA03-0XB0, product version 12 or higher
 6ES7153-2BA02-0XB0
 6ES7153-2BA82-0XB0
 6ES7153-4BA00-0XB0
 6ES7153-4AA01-0XB0
- A GSD file must be used if the module is part of a distributed installation and controlled by a master produced by a third-party manufacturer with DPV1 support (operation with DPV0 is not supported). The GSD file for the selected IM 153 is available for download from the Internet (<http://www.siemens.com/automation/service&support>).
- STEP 7 V5.4 SP4 (HSP0158) or higher
- For user calibration:
 SIMATIC PDM V6.0 + SP3 + HF2 (HSP0158) or PDM V6.0 + SP4 or higher
 and EDD for ET 200M "DP_IOSystem_Siemens_ET200M_Module.Device" V1.1.10 or higher.

Unused channels

Set the "disabled" value at the "measurement type" parameter for unused channels. Unused channels should also be short-circuited at the connection plug.

Effect of this measure:

- You prevent measurement errors at the unused channels.
- You suppress diagnostic messages from the unused channels.

Short-circuit to M or L

The module does not suffer any damage if you short-circuit an input channel to M or L. The channel continues to output valid data and does not report a diagnostics event.

Special features of channel groups with respect to hardware interrupts when limit is exceeded

You can set the high and low limits triggering hardware interrupts separately for each channel in STEP 7.

Hardware interrupt

The table below shows the contents of the 4 bytes of additional OB40 information during a hardware interrupt.

Content of the 4 bytes with additional information		2 ⁷	2 ⁶	2 ⁵	2 ⁴	2 ³	2 ²	2 ¹	2 ⁰	Byte
Special analog flags	2 bits per channel to identify the range									
	High limit exceeded at channel			5	4	3	2	1	0	0
	Low limit undershot at channel			5	4	3	2	1	0	1
	Free byte									2
	Free byte									3

Startup characteristics and compensation time monitoring (watchdog) for external cold spot compensation via remote thermoresistor

When the module starts up, all inputs report an overflow (32767). Once a compensation value has been received via data record 2, the module starts to read the TC inputs and to output correct data. If the module does not receive any data from data record 2 within 5 minutes of startup, a reference channel fault is reported in the standard channel diagnostics data. If enabled, a diagnostic interrupt is sent.

The module features time monitoring (watchdog) set to 5 minutes, which is reset when a new compensation value is received via data record 2. If the module does not receive any data from data record 2 within the 5 minute interval set for the time-monitoring function in normal operation, a reference channel fault is reported in the standard channel diagnostics data. If enabled, a diagnostic interrupt is sent.

Internal calibration while the process is running

The module can compensate most of the internal temperature-drift errors. Internal calibration while the process is running is always executed after startup, when parameters are reassigned, and when the power is switched on/off. Once the relevant parameters have been activated, internal calibration while the process is running is also performed if the ambient temperature at the module changes by 5 degrees Celsius. Enabling calibration while the process is running interrupts the module I/O cycle until calibration is complete. The duration of the interruption depends on the programmed interference frequency; see the table below for information about this relationship.

Duration of interruption caused by calibration while the process is running

Interference frequency	Duration of interruption
10 Hz	600 ms
50 Hz	120 ms
60 Hz	100 ms
400 Hz (100 Hz)	60 ms

Calibration while the process is running should be activated to ensure measuring accuracy over a long period of time. Some applications do not permit an interruption of the I/O cycle. In such cases, you can disable the parameter for calibration while the process is running, although this will result in less accurate measurements over time. The parameter for calibration is activated as standard while the process is running.

Compensation of the reference junction

If the measuring point is exposed to a different temperature than the free ends of the thermocouple (connection point), a voltage known as the thermoelectric voltage arises between the free ends.

The level of the thermoelectric voltage depends on the difference between the temperature at the measuring point and that at the free ends, as well as on the type of materials combined in the thermocouple. Because a thermocouple always detects any temperature difference, the free ends at the reference junction must be maintained at a certain temperature to determine the temperature at the measuring point.

External compensation of the reference junction via remote thermoresistor

The reference-junction temperature can also be measured via an external module and transferred to the AI 6 x TC isolated module by means of SFC 58 in data record 2 (DR2).

The permitted reference temperature corresponds to the Pt100 climatic temperature range for platinum thermoresistors.

$$\begin{aligned} -145.0\text{ °C} &\leq t_{\text{ref}} \leq +155.0\text{ °C} \\ -229.0\text{ °F} &< t_{\text{ref}} < +311.0\text{ °F} \\ +128.2\text{ K} &< t_{\text{ref}} < +327.6\text{ K} \end{aligned}$$

The Kelvin measurement is only limited to 327.6 if the reference temperature is output in technical units. If the reference temperature is reported in standard units, the Kelvin measurement limit is 428.2 K.

6.11 Analog input module SM 331, AI 6 x TC isolated (6ES7331-7PE10-0AB0)

If a reference value above the permitted temperature limit is received in DR2, it will cause a reference channel fault, which is displayed in the standard channel diagnostic data. If enabled, a diagnostic interrupt is sent.

Note

If an analog input module such as AI 8 x thermoresistor is used to measure the reference-junction temperature, the thermoresistor module parameters for the output structure and the measuring accuracy must be represented by bytes 0 and 1 in data record 2. This is shown in the figure "Structure of data record 2 for SM 331; AI 6 x TC". If the external thermoresistor module does not provide correct information about data structure and scaling, it will lead to inaccurate measurements being output by the isolated SM 331; AI 6 x TC module.

Structure of data record 2 for SM 331; AI 6 x TC

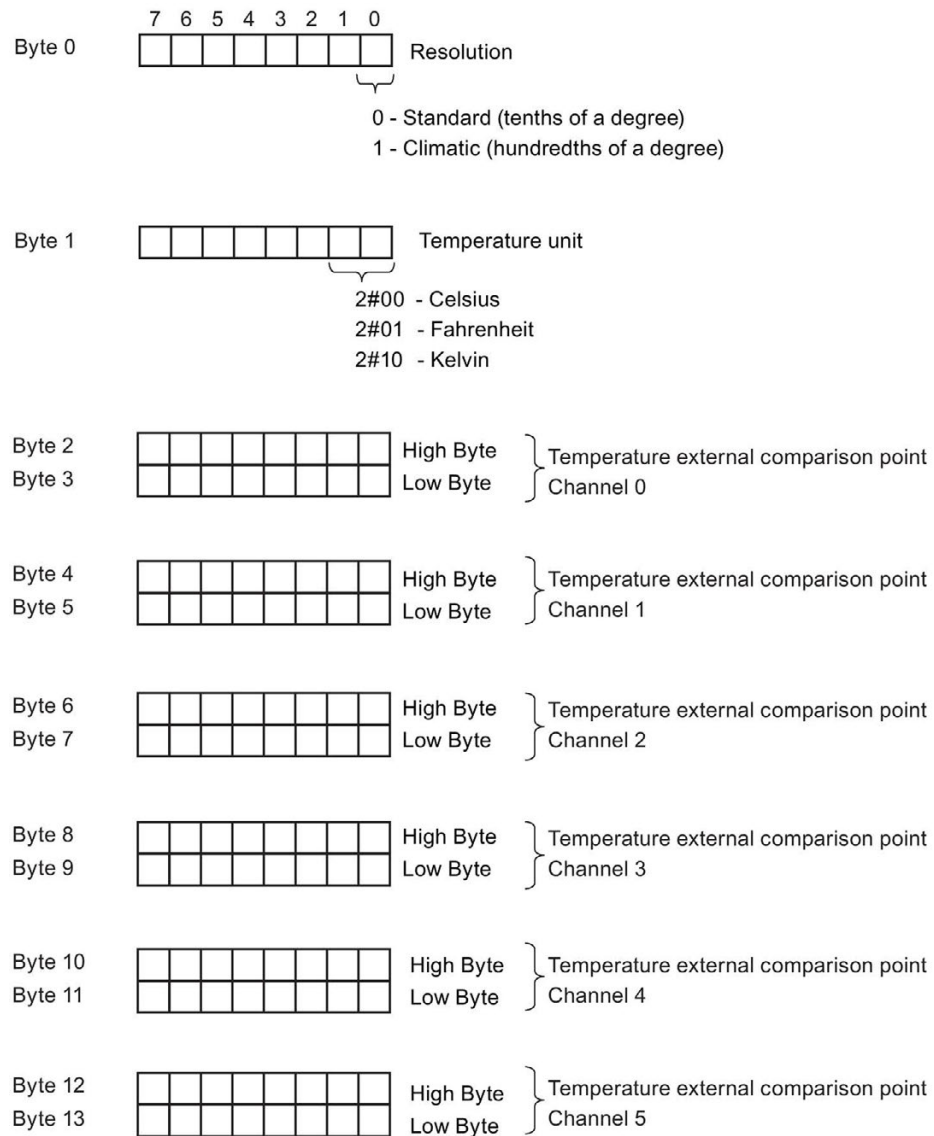


Figure 6-36 Structure of data record 2 for SM 331; AI 6 x TC

Compensation of the thermocouple via an external Pt100 element with external thermoresistor module

Because of the flexible structure of data record 2, you can use a separate external Pt100 element for each channel. In addition, the channels can also be grouped together by means of the user application in such a way that they all use the same external Pt100. This simply requires the same temperature value to be specified in DR2 for all the channels which use the same reference temperature.

Note

Reference-junction compensation also results in an error in the temperature measured by the isolated AI 6 x TC module. For this reason, great care must be taken when detecting the reference junction. To keep this error to an absolute minimum, the reference-junction temperature must remain as constant as possible.

Example: Transfer of a temperature value as a cold-spot temperature for channels 0 to 5, from a thermoresistor module to AI 6 x TC:

Input address of AI 6 x TC: 238 (module address)
 Input address of the thermoresistor: 128 (channel address)

Occupied memory:

M 20.0: Request bit for SFC "WR_REC"

M 20.1: Busy bit for SFC "WR_REC"

MW 22: Return value for SFC "WR_REC"

MW 0 to MW 12: Memory for data transfer (see table below).

```

UN    M    20.0      // Check the request: new cold spot temperature
UN    M    20.1      // Check whether WR_REC is busy
SPB   END          // Skip, if no transfer is required
                        ist

U     M    20.1      //Check whether WR_REC is busy
SPB   WRT

//Create the memory for data transfer
L     B#16#01       // Transfer the temperature in hundredths1
                        // of a degree (Pt100 climatic)

T     MB    0
L     B#16#02       // Transer the temperature in Kelvin
T     MB    1
L     PEW   128     // Read out the input address of the used channel
                        // of
                        // the thermoresistor module
T     MW    2       // for channel 0 of AI 6 x TC
T     MW    4       // for channel 1 of AI 6 x TC
T     MW    6       // for channel 2 of AI 6 x TC
T     MW    8       // for channel 3 of AI 6 x TC
T     MW   10      // for channel 4 of AI 6 x TC

```

6.11 Analog input module SM 331, AI 6 x TC isolated (6ES7331-7PE10-0AB0)

```

T      MW      12          // for channel 5 of AI 6 x TC

// Transfer the cold-spot temperature to AI 6 x TC
WRT:   CALL "WR_REC"
        REQ           :=M20.0          // Request bit for data transfer
IOID   :=B#16#54
LADDR  :=W#16#EE          // Input address of AI 6 x TC
RECNUM :=B#16#2           // Data record number must be set to 2

RECORD :=P#M 0.0 Byte 14 // Indicator for the memory for data
                        // transfer, 14 bytes long
RET_VAL :=MW22           // Return value for SFC "WR_REC"
BUSY    :=M20.1         // Busy bit of SFC "WR_REC"

U      M      20.1          // check whether WR_REC is busy
SPB    END
        CLR
        =      M      20.0          // Reset request for cold-spot
                        // temperature

END:   NOP 0

```

This is just an example. The logic and memory allocation must be adapted to the structure of the particular PLC program used.

The return value of SFC "WR_REC" (MW 22) can be evaluated in accordance with the structure of the PLC program used. Additional information is available in the manual titled System Software for S7-300/400 System and Standard Functions (<http://support.automation.siemens.com/WW/view/en/1214574>).

6.11.4 Firmware update via HW Config for analog input module SM 331; AI 6 x TC

Introduction

Depending on the available compatible function updates, the module AI 6 x TC can be updated to the newest firmware version.

The most recent firmware versions are available from your Siemens representative or from the Internet (<http://www.siemens.com/automation/service&support>).

Requirements

- STEP 7 V 5.4 SP4 (HSP0158) or higher
- For central use of the module AI 6 x TC in a S7-300, the firmware update must occur in the CPU-operating mode STOP. If the CPU is in the RUN operating mode, it may result in unexpected behavior and the module will first be available again after a network off/network on.
- If the module AI 6 x TC is set in a distributed IO device ET 200M, a firmware update is also possible in the CPU-operating mode RUN.

Firmware update

This is how you update the firmware of a central or distributed module with the IM 153:

1. Select the module AI 6 x TC in HW Config.
2. Select the "SPS" > "Update Firmware" menu command.
3. Use the "Browse" button to select the path to the firmware files (*.upd).
4. Click the "Execute" button.
 - The module performs the firmware update.

For additional information, refer to the STEP 7 online help.

Note

- During the firmware update, the OB 83 (alarm due to removing and inserting modules), the OB 85 (program execution error) and the OB 86 (error due to module rack failure) are opened. If the diagnostics alarm of the module is approved, the OB 82 will also be opened during the firmware update. Make sure that the OB is set correspondingly.
 - If the red LED (SF) on the module blinks, an error occurred during the firmware update and the update must be repeated. In this case, the bootloader version Ex.x.x is displayed in the online diagnostics.
 - A firmware update through HW-config is not permitted if the AI 6 x TC module is in redundant mode.
-

Identification of the firmware

After the firmware update, you must label the firmware version on the module.

6.11.5 I&M data for identifying the analog input module SM 331; AI 6 x TC

Properties

I data: Information about the module, which is normally found on the module casing. I-data is write-protected. They include:

- Hardware release status
- Firmware release status
- Serial number

M data: System-dependent information (e.g. plant designation).

M data is created during configuration.

All identification data (I&M-data) is retentively saved in a module and supports you with the following tasks:

- Error search and repair in the system
- Testing the system configuration
- Finding changes to the system hardware

Reading and writing the identification data with STEP 7

System-dependent information is configured in the properties dialog field of the module.

You obtain information on the module (I data) from the module status dialog. The system-dependent information on the module is displayed here too.

Note

I&M data can only be written if the CPU is in the STOP operating mode.

The AI 6 x TC supports only I&M0 and I&M1 data.

6.11.6 Calibration of analog input module SM 331; AI 6 x TC

Introduction

The SM 331 is calibrated at the factory and complies with the specified accuracy values. As a rule, there is no need to recalibrate the module.

With certain systems, it may be advisable or even a requirement laid down in standards (as required by particular institutions in the food and beverage or pharmaceutical industries) to recalibrate the module once it has been integrated into the system, for example, at specific time intervals.

Particularly in systems where sensors detect and/or process relatively low voltages and/or currents, it may be advisable to perform recalibration when the module is in the system including all connected cables. This approach compensates any influence by cables and/or temperature.

If you carry out a calibration procedure, new calibration values are detected and saved retentively on the module. This means that the calibration values determined for the module at the factory prior to delivery are not lost when users perform their own calibration work. You can revert to these original calibration values at any time.

Note

The calibration values from each channel are saved retentively on the module for a specific measuring range, which means they only apply to the measuring range in which the user calibration work was performed.

If the parameters of a channel which has active user-calibration values are reassigned to change the measuring range, the calibration values saved at the factory for this channel and this measuring range are used from this point on.

However, the user-calibration values still remain in the memory; they are not overwritten until the user calibrates the channel again. But if the original measuring range is reset for this channel without the user performing the calibration procedure again, the user-calibration values which have already been established become effective once more.

Requirements

The calibration function can only be used in a distributed installation and in conjunction with the SIMATIC PDM ("Process Device Manager").

The following requirements must be met to use the module calibration functions: SIMATIC PDM V6.0 + SP3 or higher + HF2 in conjunction with HSP158, or SIMATIC PDM V6.0 + SP4 or higher, and the EDD for the ET 200M, "DP_IOSystem_Siemens_ET200M_Module.Device", Version V1.1.10 or higher

User calibration is not permitted if the AI 6 x TC module is running in redundant mode.

Launching the calibration function

The following diagrams show the sequence of a user calibration in SIMATIC PDM V6.0 + SP5. More recent versions of SIMATIC PDM can deviate from the content of these diagrams.

The module calibration function is launched in the SIMATIC PDM via <Device ⇒ Calibration> for the selected module.

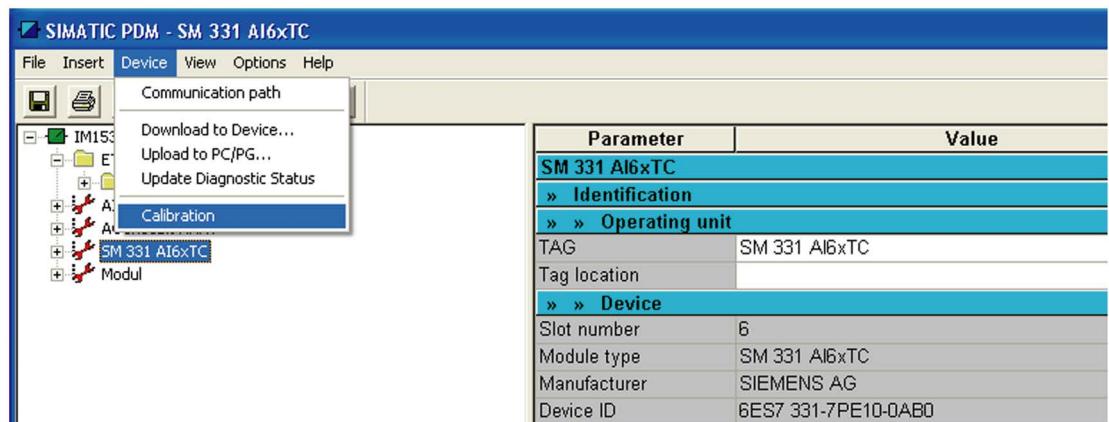


Figure 6-37 Calibration function

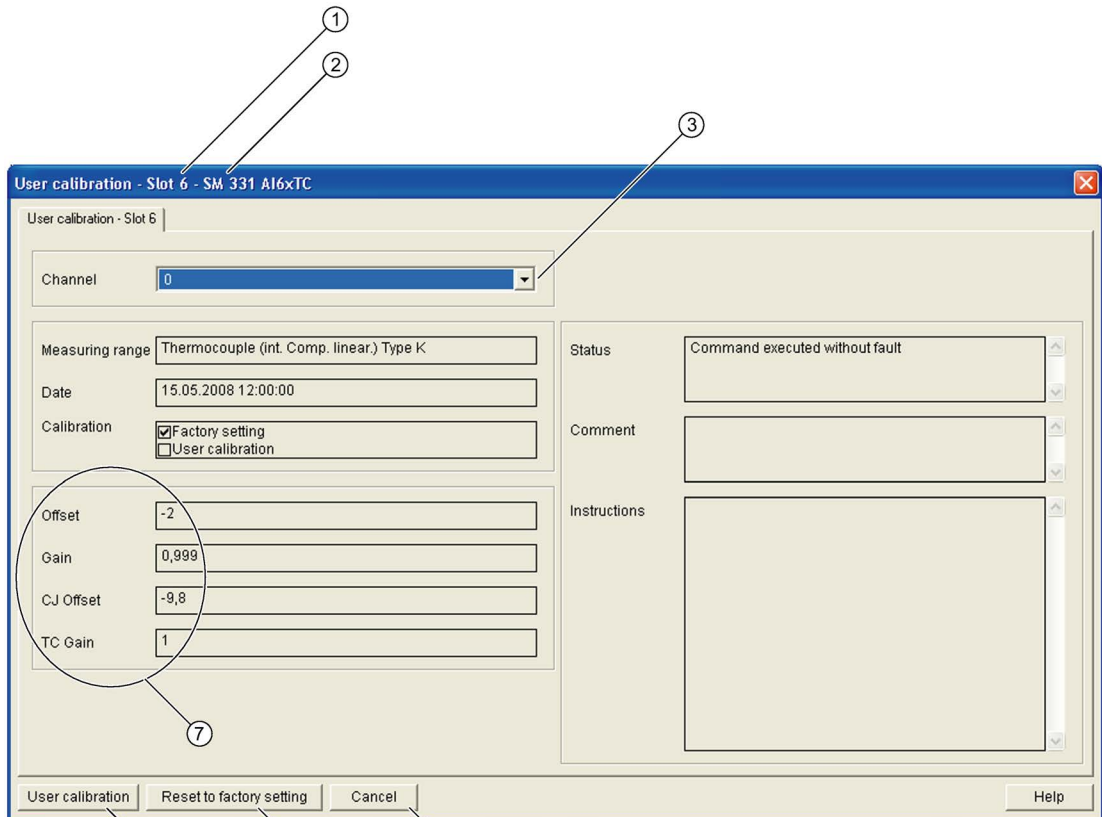
Once the calibration function has been launched, the calibration start screen appears. Each time a new channel is selected, the module reads the following general data and calibration values:

General data:

- Measuring range: Currently programmed measuring range for the selected channel
- Date: Date and time when the displayed calibration values were determined
- Calibration: Indicates whether the currently active calibration values are factory-set or user values

Calibration values:

- Offset: Currently active offset for the analog digital converter
- Gain: Currently active gain for the analog digital converter
- CJ Offset: Currently active temperature offset for the internal reference-temperature sensor (only relevant for TC-IL thermocouples)
- TC Gain: Currently active gain for recording the temperature (only relevant for TC-IL, TC-EL, TC-L00C, and TC-L50C thermocouples)



- ① Slot address of the module
- ② Current system ID (HID)
- ③ Selection of the channel to be calibrated
- ④ Cancels the calibration function
- ⑤ Resets the calibration values of the selected channel to the factory settings
- ⑥ Starts user calibration for the selected channel
- ⑦ Current calibration values

Figure 6-38 User-calibration values

Options

Now you can:

- Start user calibration for the selected channel
-> "User calibration" button
- Reset the calibration values set at the factory for the selected channel
-> "Reset to factory setting" button
- Cancel the calibration function
-> "Cancel" button

Note

If you reset the currently active channel to its factory settings, the original calibration values saved on the module when it was delivered become valid again. Any user-calibration values which may exist for this channel are then lost. You cannot restore these user-calibration values.

User calibration

User calibration is started for the selected channel by pressing the "User calibration" button.

A 24 V load voltage must be applied at the module for calibration.

The user calibration function re-establishes the calibration values required by the selected channel in accordance with the measuring range which has been programmed for that channel.

Calibration can be executed in the CPU's RUN or STOP operating modes. Please note that in the CPU's RUN operating mode, the module does not return any correct analog values to the process for the duration of the calibration.

Note

While user calibration is ongoing, none of the module channels can handle new process values.

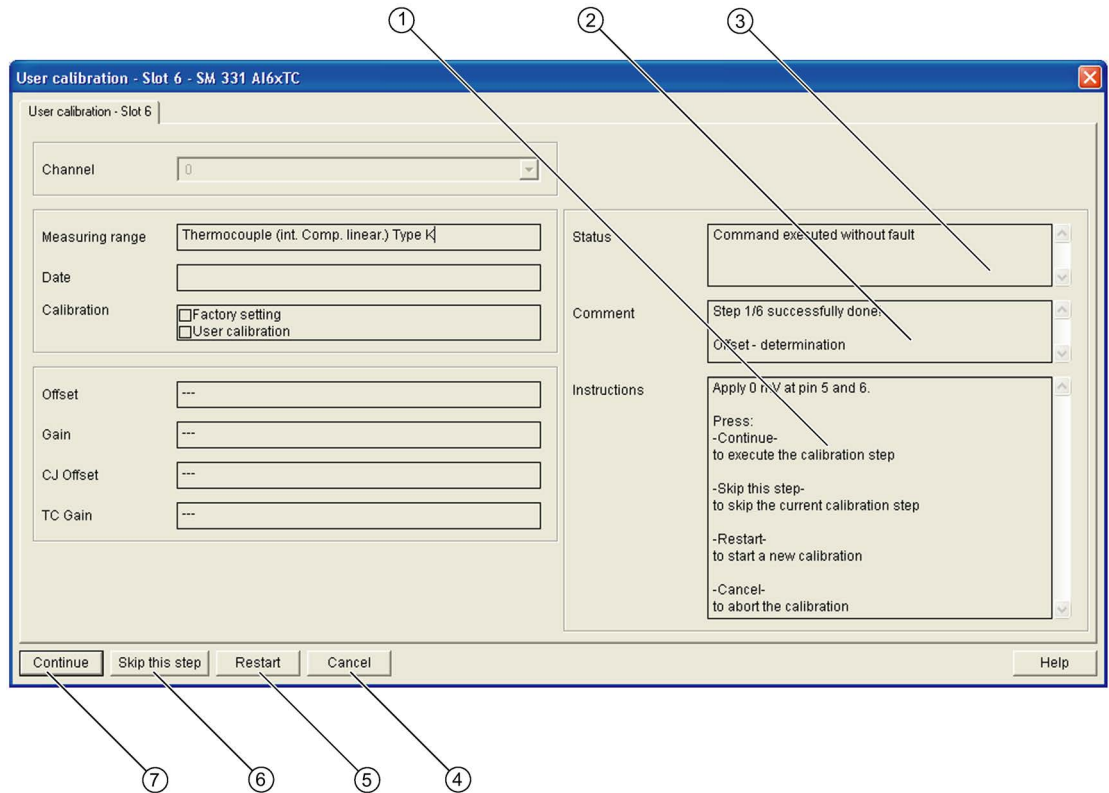
- All analog input values of the module are set to 0x7FFF ("invalid analog value") until calibration is complete.
 - All channels indicate this status by means of a corresponding channel-diagnostic function using the second type of diagnosis (see Section 1.7, "Diagnostics of the analog input module SM 331; AI 6 x TC isolated").
-

The previously selected channel is calibrated using the calibration display which is output.

Calibration consists of several different steps, during which the individual calibration values are determined.

- If a fault occurs during calibration or if new parameters are assigned to the module, the calibration of the relevant channel is canceled and the most recently active calibration values for the channel become effective once more. All of the calibration values recorded up to this point are lost. The module can now handle the current process values once again.
- Calibration can be canceled at any time once it has been started. Following cancelation, the previously active calibration values take effect again and the calibration values recorded up to this point are lost. The module can now handle the current process values once again.

You must provide a voltage and/or temperature during user calibration. You do this by using the appropriate external wiring and an external voltage/temperature transmitter. As shown in the figure "User-calibration status", the "Instructions" field indicates the numbers of the pins where the calibration stimulus can be applied. The first pin number corresponds to the positive terminal, the second to the negative terminal. The accuracy of the calibration depends on the accuracy of the voltage/temperature supplied. To ensure that the module maintains the specified measuring accuracy following user calibration, the voltage/temperature provided must demonstrate an accuracy at least twice that defined for the module. Inaccurate voltages or temperatures will result in an incorrect calibration.



- ① Here you will find instructions on how to carry out the currently active calibration step
- ② Here you will find information relating to the currently active calibration step
- ③ Here you will find information relating to the current status of the calibration procedure
- ④ Cancels the calibration function completely
- ⑤ Cancels the currently active calibration and returns to the calibration start screen
- ⑥ Skips the currently active calibration step
- ⑦ Confirms the currently active calibration step and proceeds to the next step

Figure 6-39 User-calibration status

Status

Several different calibration steps are required to calibrate a channel, depending on the measurement type which has been set. The "Status" field indicates whether the last calibration step was completed with or without a fault. If a fault occurs while a calibration step is being executed, the fault is indicated here and the calibration for that channel is canceled. All calibration values recorded up to that point are deleted. The calibration values which were active before the user-calibration function was launched take effect once more.

Comment

The following entries are displayed in the "Comment" field:

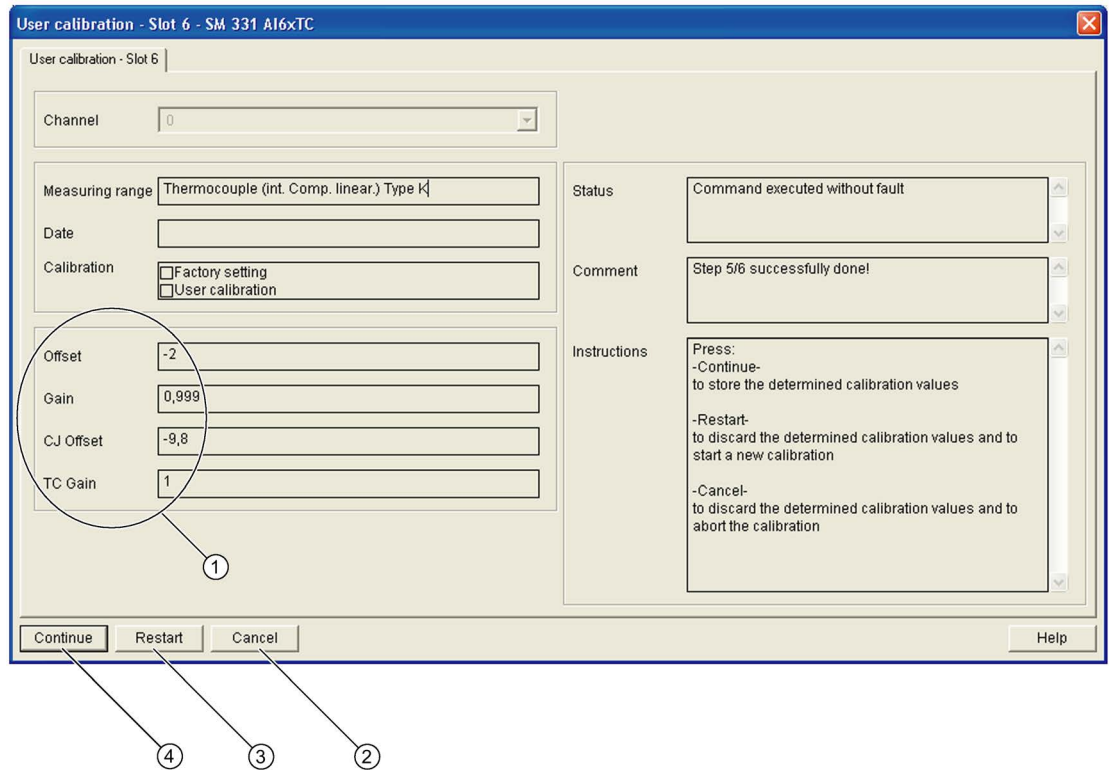
- The number of calibration steps completed thus far
- The number of calibration steps which still need to be carried out for the channel to be fully calibrated
- The calibration value currently being determined by the module

Instructions

The "Instructions" field indicates which actions the user has to personally carry out for the currently active calibration step. Perform the actions indicated here and confirm by pressing the "Continue" button. The module now executes the actions required for the currently active calibration step. If this step is processed without a fault, the function proceeds to the next calibration step.

If you want to avoid recording existing calibration values again during user calibration, confirm the currently active calibration step by pressing the "Skip this step" button (rather than "Continue"). In this case, the factory-set calibration value is used for the calibration step which has been skipped (see "Comment" field).

In the last calibration step, the values determined during the course of calibration are displayed.



- ① New calibration values
- ② Cancels the calibration function completely
- ③ Cancels the currently active calibration and returns to the calibration start screen
- ④ Confirms the determined calibration values, saves the values, and returns to the calibration start screen

Figure 6-40 User-calibration values

You can now adopt these calibration values as the new values for this channel by pressing the "Continue" button. The calibration values are saved retentively and the channel calibration is complete.

If you do not want to use the displayed calibration values, you can either return to the start screen and start a new calibration procedure by pressing the "Restart" button, or exit calibration altogether by pressing the "Cancel" button.

6.12 Analog output module SM 332; AO 8 x 12 bit; (6ES7332-5HF00-0AB0)

Order number

6ES7332-5HF00-0AB0

Order number: "SIPLUS S7-300 module"

6AG1332-5HF00-2AB0

Properties

- 8 outputs in one group
- The output can be selected by individual channel
 - Voltage output
 - Current output
- Resolution 12 bits
- Programmable diagnostics and diagnostic interrupt
- Programmable diagnostic interrupt
- Electrically isolated from the backplane bus interface and load voltage
- Supports parameter reassignment in RUN

Diagnostics

For information on diagnostics messages at the "group diagnostics" parameter, refer to chapter Diagnostic messages of analog output modules (Page 296).

Terminal assignment

The diagrams below show various wiring options. These examples apply to all channels (channel 0 to 7).

Note

When you switch the rated load voltage (L+) off and on, the outputs can return incorrect voltage/current values for the duration of about 500 ms.

Wiring: 2 and 4-wire connection for voltage output

The following image depicts:

- 2-wire connection, no compensation for line impedance and
- 4-wire connection with compensation for line impedance

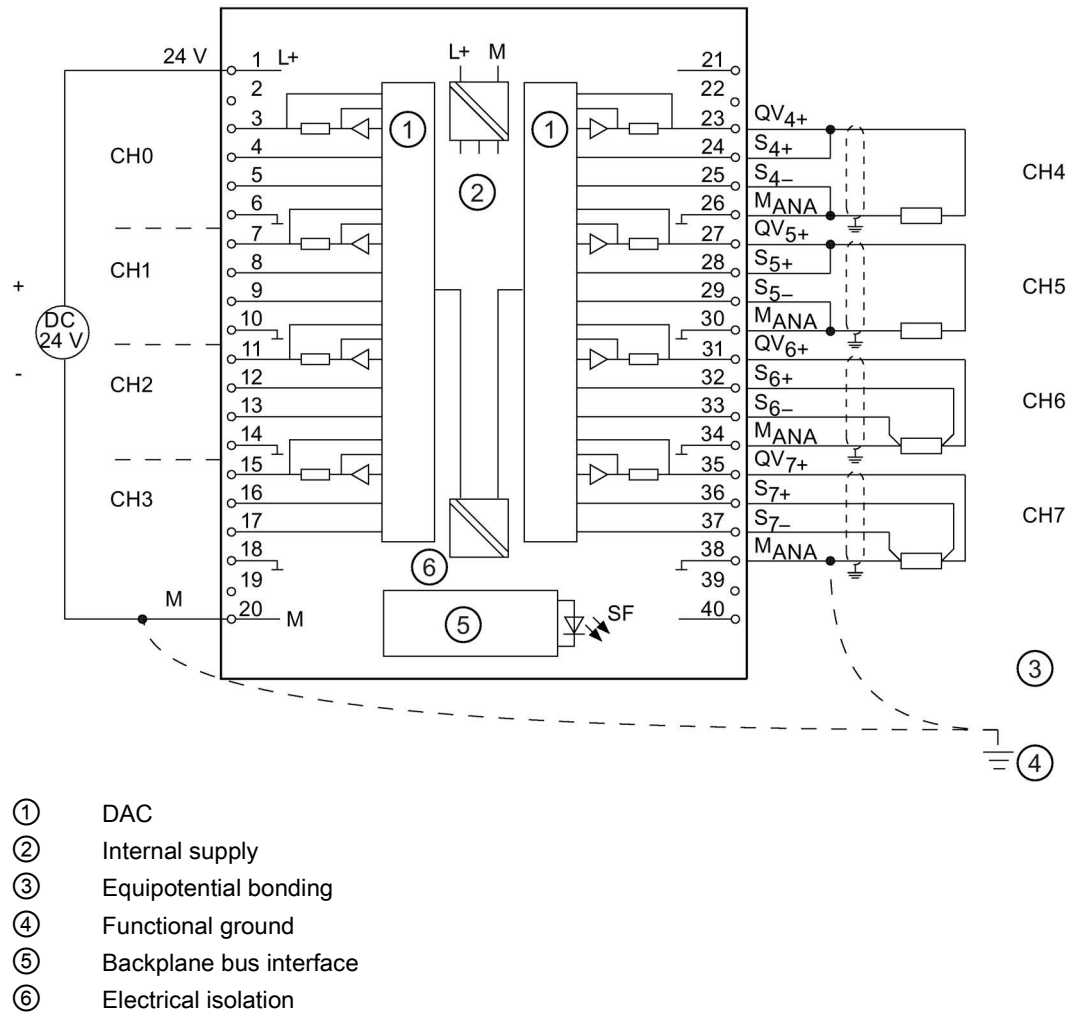


Figure 6-41 Wiring and block diagram

Wiring: Current output

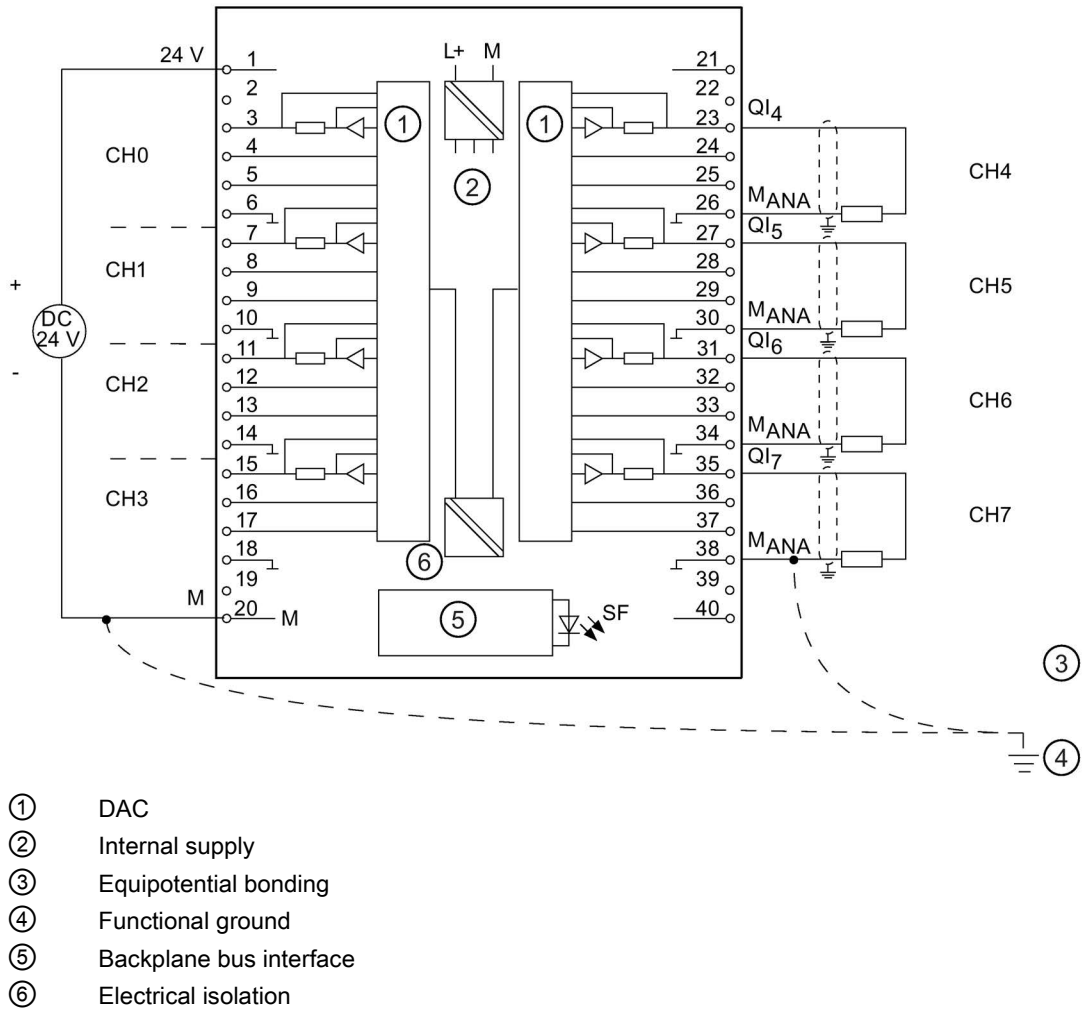


Figure 6-42 Wiring and block diagram

Technical specifications

Technical specifications	
Dimensions and weight	
Dimensions W x H x D (mm)	40 x 125 x 117
Weight	ca. 272 g
Module-specific data	
Supports parameter reassignment in RUN	Yes
Reaction of non-programmed outputs	Return the output value which was valid before the parameterization
Supports isochronous mode	no
Number of inputs	8
Cable length <ul style="list-style-type: none"> shielded 	max. 200 m
Voltages, currents, electrical potentials	
Rated load voltage L+ <ul style="list-style-type: none"> Reverse polarity protection 	24 V DC yes
<ul style="list-style-type: none"> Electrical isolation between channels and the backplane bus between channels and electronics power supply between channels between channels and load voltage L+ 	yes yes no yes
Maximum potential difference <ul style="list-style-type: none"> between S- and M_{ANA} (CMV) 	3 V DC
Isolation test voltage	500 V DC
Current consumption <ul style="list-style-type: none"> from the backplane bus From supply voltage L+ 	max. 100 mA max. 340 mA
Power loss of the module	typ. 6.0 W
Generation of analog values	
Resolution, including sign <ul style="list-style-type: none"> ± 10 V; ± 20 mA; 4 mA to 20 mA; 1 V to 5 V 0 V to 10 V; 0 mA to 20 mA; Conversion time (per channel) 	11 bits + sign 12 Bit max. 0.8 ms
Transient recovery time <ul style="list-style-type: none"> with resistive load with capacitive load with inductive load 	0.2 ms 3.3 ms 0.5 ms (1 mH) 3.3 ms (10 mH)

Technical specifications	
Interference frequency suppression, error limits	
<ul style="list-style-type: none"> Crosstalk between outputs 	> 40 dB
Operational limit (across entire temperature range, relative to measurement range end value in the selected output range)	
<ul style="list-style-type: none"> Voltage output Current output 	±0.5 % ± 0.6 %
Basic error limit (operational limit at 25 °C, relative to the measurement range end value in the selected output range)	
<ul style="list-style-type: none"> Output voltage Output current Temperature error (relative to output range) Linearity error (relative to output range) Repeat accuracy (in transient state at 25 °C, relative to output range) Output ripple; bandwidth 0 kHz to 50 kHz (relative to output range) 	± 0.4 % ± 0.5 % ± 0.002 %/K + 0.05 % ±0.05 % ±0.05 %
Status, interrupts, diagnostics	
Interrupts <ul style="list-style-type: none"> Diagnostic interrupt 	programmable
Diagnostic functions <ul style="list-style-type: none"> Group error display Reading diagnostics information 	programmable red LED (SF) supported
Actuator selection data	
Output ranges (rated values)	
<ul style="list-style-type: none"> Voltage 	± 10 V 0 V to 10 V 1 V to 5 V
<ul style="list-style-type: none"> Current 	± 20 mA 0 mA to 20 mA 4 mA to 20 mA
Load impedance (in the rated output range)	
<ul style="list-style-type: none"> For voltage outputs <ul style="list-style-type: none"> – Capacitive load 	Min. 1 kΩ Max. 1 μF
<ul style="list-style-type: none"> For current outputs <ul style="list-style-type: none"> – at CMV < 1 V – with inductive load 	max. 500 Ω max. 600 Ω max. 10 mH
Voltage output <ul style="list-style-type: none"> Short-circuit protection Short-circuit current 	yes max. 25 mA

Technical specifications	
Current output	
<ul style="list-style-type: none"> noload voltage 	max. 18 V
<ul style="list-style-type: none"> Destruction limit against external voltages/currents Voltage at outputs to M_{ANA} Current 	max. 18 V continuous; 75 V for a duration of max. 1 s (duty factor 1:20) max. 50 mA d.c.
Wiring of the actuators	using a 40-pin front connector supported
<ul style="list-style-type: none"> for voltage output 4-wire connection for current output 2-wire connection 	supported

Configuration in RUN

Special considerations must be given if you use the Configuration in RUN function.

SF LED is lit:

Status before re-configuration diagnostics on, SF LEDs lit among others (on CPU, IM or module), although diagnostics are no longer pending and the module is operating correctly.

Solution:

- Only change the configuration when no diagnostics are pending for the module or
- Pulling and plugging the module.

6.12.1 SM 332; AO 8 x 12 Bit - Output ranges

Introduction

You can configure the outputs for operation as voltage or current outputs, or disable them. You program the outputs at the "output type" parameter in *STEP 7*.

Output type "Voltage" and output range " ± 10 V" are set by default at the module. You can always use this combination of output type and range without having to program the SM 332; AO 8 x 12 Bit in *STEP 7*.

Table 6- 32 Output ranges

Selected type of output	Output range
Voltage	1 V to 5 V 0 V to 10 V ± 10 V
Current	0 mA to 20 mA 4 mA to 20 mA ± 20 mA

See also

Representation of analog values for analog output channels (Page 279)

6.12.2 Programmable parameters

Introduction

For general information on programming analog modules, refer to the chapter Programming analog modules (Page 294).

The table below provides an overview of configurable parameters, including defaults:

Table 6- 33 Overview of the parameters of SM 332; AO 8 x 12 Bit

Parameter	Range of values		Default	Parameter type	Scope
Enable					
• Diagnostic interrupt	yes/no		no	dynamic	Module
Diagnostics					
• Group diagnostics	Yes/no		No	static	Channel
Output					
• Output type	disabled		V	dynamic	Channel
	Voltage		± 10 V		
	Current				
	See chapter output ranges (Page 447)				
• Output range					
Reaction to CPU STOP	ASS	Outputs zero current/voltage	ASS	dynamic	Channel
	HLV	Hold last value			

Assigning parameters to channels

The parameters can be set separately at each output channel of SM 332; AO 8 x 12 Bit. You can assign separate parameters to each output channel.

Assign the parameters you set at the SFCs in the user program to the channel groups. Each output channel of SM 332; AO 8 x 12 Bit is thus assigned to a channel group, i.e. output channel 0 > channel group 0, for example.

Note

The output may carry invalid interim values if you modify output ranges while SM 332; AO 8 x 12 bit is in RUN.

See also

Diagnostic messages of analog output modules (Page 296)

6.12.3 Additional information on SM 332; AO 8 x 12 Bit

Unused channels

To take unused output channels of SM 332; AO 8 x 12 Bit off power, set the "disabled" argument at the "output type" parameter. Disabled channels do not have to be wired.

Line continuity check

SM 332; AO 8 x 12 Bit only performs a line continuity check at the current outputs.

In output ranges 0 mA to 20 mA and ± 20 mA, a "reliable" wire-break check is not possible for output values of ± 200 μ A.

Short-circuit test

SM 332; AO 8 x 12 Bit only performs a short-circuit test at the voltage outputs.

6.13 Analog output module SM 332; AO 4 x 16 bit; isochrone; (6ES7332-7ND02-0AB0)

Order number

6ES7332-7ND02-0AB0

Order number: "SIPLUS S7-300 module"

6AG1332-7ND02-4AB0

Properties

- 4 outputs in 4 channel groups
- The output channels can be programmed as
 - Voltage output
 - Current output
- Resolution 16 bits
- Supports isochronous mode
- Supports parameter reassignment in RUN
- Programmable diagnostics and diagnostic interrupt
- Electrical isolation between:
 - backplane bus interface and analog output channel
 - analog output channels
 - analog output and L+, M
 - Backplane bus circuit and L+, M
- Supports parameter reassignment in RUN

Diagnostics

For information on diagnostic messages at the "group diagnostics" parameter, refer to chapter Diagnostic messages of analog output modules (Page 296).

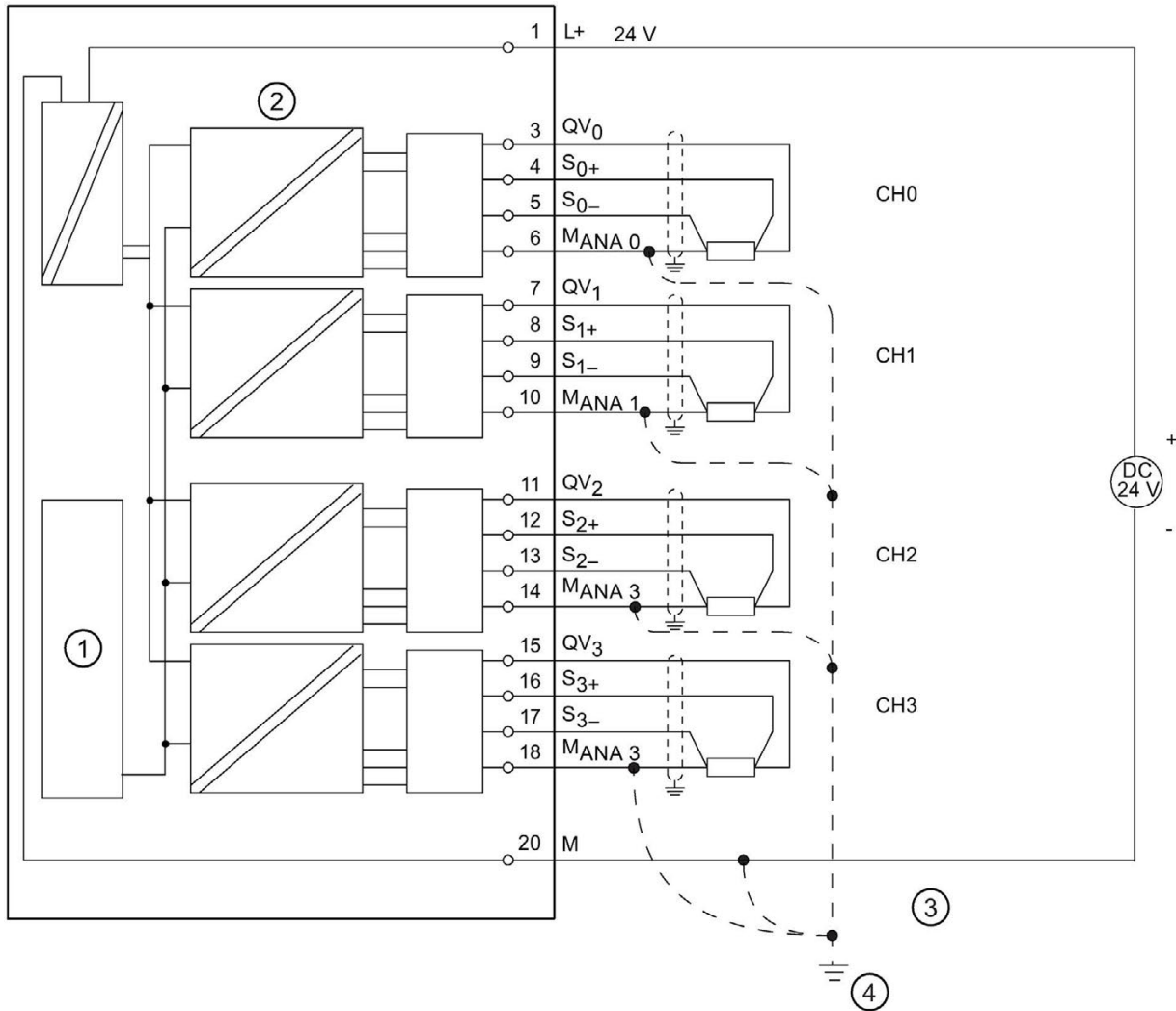
Terminal assignment

The diagrams below show various wiring options.

Note

When you switch the rated load voltage (L+) off and on, the output may carry invalid interim values for the duration of ca. 10 ms.

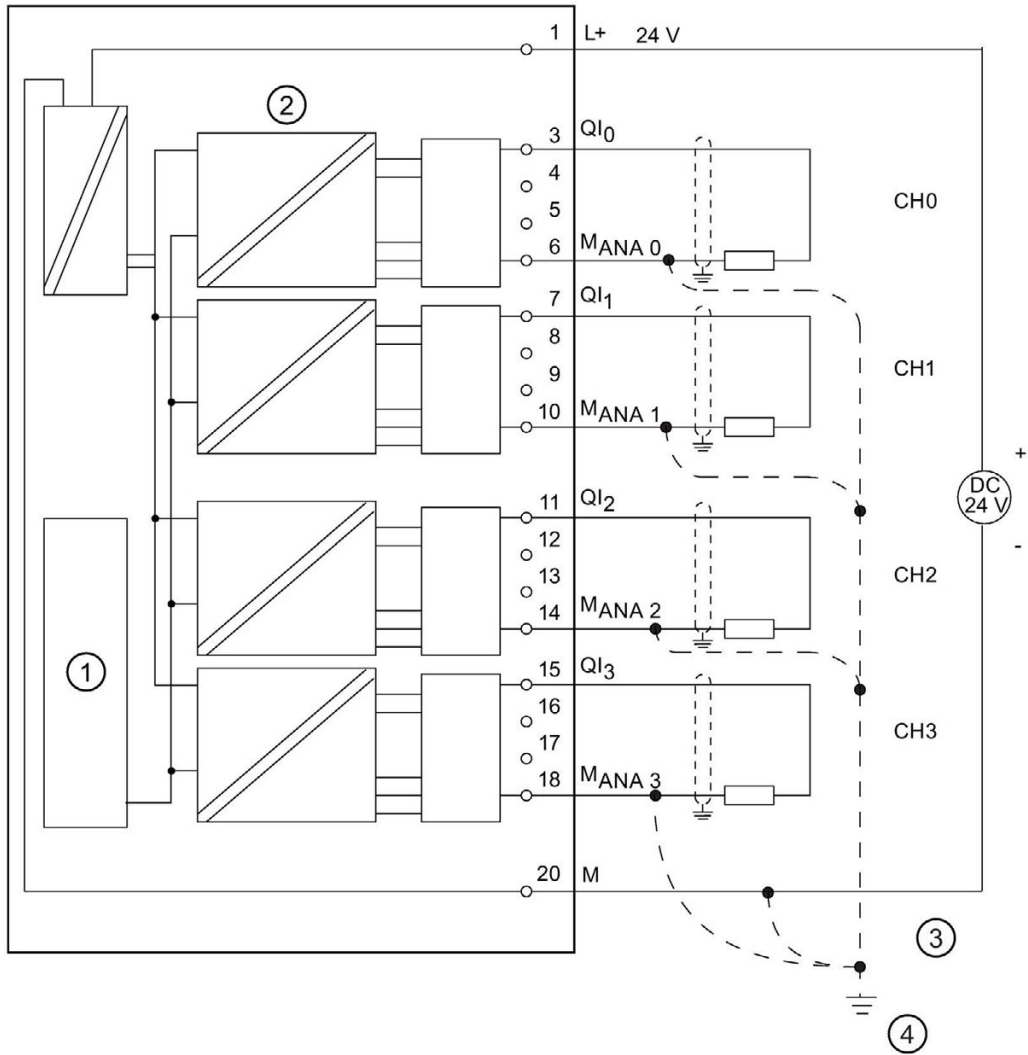
Wiring: 4-wire connection



- ① Backplane bus interface
- ② Electrical isolation
- ③ Equipotential bonding
- ④ Functional ground

Figure 6-43 Wiring and block diagram

Wiring: Current output



- ① Backplane bus interface
- ② Electrical isolation
- ③ Equipotential bonding
- ④ Functional earthing

Figure 6-44 Wiring and block diagram

Technical specifications

Technical specifications	
Dimensions and weight	
Dimensions W x H x D (mm)	40 x 125 x 117
Weight	ca. 220 g
Module-specific data	
Supports parameter reassignment in RUN	yes
<ul style="list-style-type: none"> Reaction of non-programmed outputs 	return the output value which was valid before the parameterization
Supports isochronous mode	yes
Number of outputs	4
Cable length	max. 200 m
<ul style="list-style-type: none"> shielded 	
Voltages, currents and potentials	
Rated load voltage L+	24 V DC
<ul style="list-style-type: none"> Reverse polarity protection 	yes
Electrical isolation	
<ul style="list-style-type: none"> between channels and the backplane bus 	yes
<ul style="list-style-type: none"> between channels and electronics power supply 	yes
<ul style="list-style-type: none"> between channels 	yes
Maximum potential difference	
<ul style="list-style-type: none"> between outputs (ECM) 	200 V DC / 120 V AC
<ul style="list-style-type: none"> between M_{ANA} and M_{internal} (V_{ISO}) 	200 V DC / 120 V AC
Isolation test voltage	1500 V DC
Current consumption	
<ul style="list-style-type: none"> from the backplane bus 	max. 120 mA
<ul style="list-style-type: none"> from load voltage L+ (no-load) 	max. 290 mA
Power loss of the module	typ. 3 W
Generation of analog values	
Resolution (including sign)	
<ul style="list-style-type: none"> ± 10 V 	16 bits
<ul style="list-style-type: none"> 0 V to 10 V 	15 bits
<ul style="list-style-type: none"> 1 V to 5 V 	14 bits
<ul style="list-style-type: none"> ± 20 mA 	16 bits
<ul style="list-style-type: none"> 0 mA to 20 mA 	15 bits
<ul style="list-style-type: none"> 4 mA to 20 mA 	15 bits
Conversion time (per channel)	
<ul style="list-style-type: none"> in standard mode 	<200 µs
<ul style="list-style-type: none"> in isochronous mode 	640 µs

Technical specifications	
Basic execution time of the module (independent of the number of enabled channels) <ul style="list-style-type: none"> in standard mode in isochronous mode 	<800 μ s 750 μ s
Transient recovery time <ul style="list-style-type: none"> with resistive load with capacitive load with inductive load 	0.2 ms 3.3 ms 0.5 ms (1 mH) / 3.3 ms (10 mH)
Interference suppression, error limits	
Crosstalk between outputs	> 100 dB
Operational limit (across entire temperature range, relative to measurement range end value in the selected output range)	
<ul style="list-style-type: none"> Voltage output Current output 	$\pm 0.12\%$ $\pm 0.18\%$
Basic error limit (operational limit at 25 °C, relative to the measurement range end value in the selected output range)	
<ul style="list-style-type: none"> Voltage output <ul style="list-style-type: none"> ± 10 V 0 V to 10 V 1 V to 5 V 	$\pm 0.02\%$ $\pm 0.02\%$ $\pm 0.04\%$
<ul style="list-style-type: none"> Current output <ul style="list-style-type: none"> ± 20 mA 0 mA to 20 mA 4 mA to 20 mA 	$\pm 0.02\%$ $\pm 0.02\%$ $\pm 0.04\%$
Temperature error (relative to output range) <ul style="list-style-type: none"> Voltage output Current output 	$\pm 0.0025\%/K$ $\pm 0.004\%/K$
Linearity error (relative to output range)	$\pm 0.004\%$
Repeat accuracy (in transient state at 25°, relative to output range)	$\pm 0.002\%$
Output ripple; range 0 Hz to 50 kHz (relative to output range)	$\pm 0.05\%$
Status, interrupts, diagnostics	
Interrupts <ul style="list-style-type: none"> Diagnostic interrupt 	programmable
Diagnostic functions <ul style="list-style-type: none"> Group error display Reading diagnostic information 	programmable red LED (SF) supported
Set substitute values	yes, programmable

Technical specifications	
Actuator selection data	
Output ranges (rated values)	
• Voltage	± 10 V 0 V to 10 V 1 V to 5 V
• Current	± 20 mA 0 mA to 20 mA 4 mA to 20 mA
Load impedance (in the rated range of the output)	
• For voltage outputs – Capacitive load	Min. 1 kΩ Max. 1 μF
• For current outputs – inductive load	max. 500 Ω max. 1 mH
Voltage output	
• Short-circuit protection	yes
• Short-circuit current	max. 40 mA
Current output	
• no-load voltage	max. 18 V
Destruction limit against external voltages/currents	
• Voltage at outputs to M _{ANA}	max. 15 V, continuous 75 V for the duration of max. 1 s (duty factor 1:20) 20)
• Current	max. 50 mA d.c.
Wiring of the actuators	using a 20-pin front connector
• for voltage output	supported
– 4-wire connection (measuring lead)	
• for current output	supported
– 2-wire connection	

Configuration in RUN

Special considerations must be given if you use the Configuration in RUN function.

SF LED is lit:

Status before re-configuration diagnostics on, SF LEDs lit among others (on CPU, IM or module), although diagnostics are no longer pending and the module is operating correctly.

Solution:

- Only change the configuration when no diagnostics are pending for the module or
- Pulling and plugging the module.

6.13.1 SM 332; AO 4 x 16 Bit - Output ranges

Introduction

You can configure the outputs for operation as voltage or current outputs, or disable these. You program the outputs at the "output type" parameter in *STEP 7*.

The output type "Voltage" and output range " ± 10 V" are set by default at the module. You can always use this combination of output type and range without having to program the SM 332; AO 4 x 16 Bit in *STEP 7*.

Output ranges

You program the output ranges for voltage and current outputs in *STEP 7*.

Table 6- 34 Output ranges SM 332; AO 4 x 16 Bit

Selected type of output	Output range
Voltage	1 V to 5 V 0 V to 10 V ± 10 V
Current	0 mA to 20 mA 4 mA to 20 mA ± 20 mA

6.13.2 Programmable parameters

Introduction

For general information on programming analog modules, refer to the chapter Programming analog modules (Page 294).

The table below provides overview of programmable parameters and of their defaults.

Table 6- 35 Overview of the parameters of SM 332; AO 4 x 16 Bit

Parameters	Range of values		Default	Parameter type	Scope
Enable • Diagnostic interrupt	yes/no		no	dynamic	Module
Diagnostics • Group diagnostics	yes/no		no	static	Channel
Output • Output type • Output range	disabled Voltage Current See chapter Output ranges for SM 332; AO 4 x 16 Bit (Page 456)		V ± 10 V	dynamic	Channel
Reaction to CPU STOP	ASS HLV	Outputs zero current/voltage Hold last value	ASS	dynamic	Channel

Assigning parameters to channels

The parameters can be set separately at each output channel of SM 332; AO 4 x 16 Bit. You can assign separate parameters to each output channel.

Assign the parameters you set at the SFCs in the user program to the channel groups. Each output channel of SM 332; AO 4 x 16 Bit is thus assigned to a channel group, i.e. output channel 0 > channel group 0, for example.

Note

The output may carry invalid interim values if you modify output ranges while SM 332; AO 4 x 16 bit is in RUN.

See also

Diagnostic messages of analog output modules (Page 296)

6.13.3 Isochronous mode

Properties

Reproducible reaction times (i.e. of the same length) are achieved in a SIMATIC system by means of a constant DP bus cycle, and synchronization of the single cyclic processes outlined below:

- Independent user program cycle. The length of the cycle time may vary due to non-cyclic program branching.
- Independent and variable DP cycle on the PROFIBUS subnet
- Cyclic operation of the backplane bus of the DP slave.
- Cyclic signal preparation and conversion at the electronic modules of the DP slave.

The constant DP cycle runs in synchronism and at the same length. The CPU run levels (OB61 to OB64) and isochronous IO are synchronized with this cycle. I/O data are therefore transferred at defined and constant intervals (isochronous mode.) Maximum flutter: $\pm 50 \mu\text{s}$.

Requirements

- The DP master and slave must support isochronous mode. You require *STEP 7* V5.2 or higher.

Mode of operation: Isochronous mode

Conditions of isochronous mode:

Processing and activation time T_{WA} between reading the output value to the transfer buffer and loading it into the D/A converter for output	750 μs
T_{DPmin}	1100 μs
Diagnostic interrupt	max. 4 x T_{DP}

Calculation of filter and processing times

The same time conditions always apply, regardless of the number of configured channels.

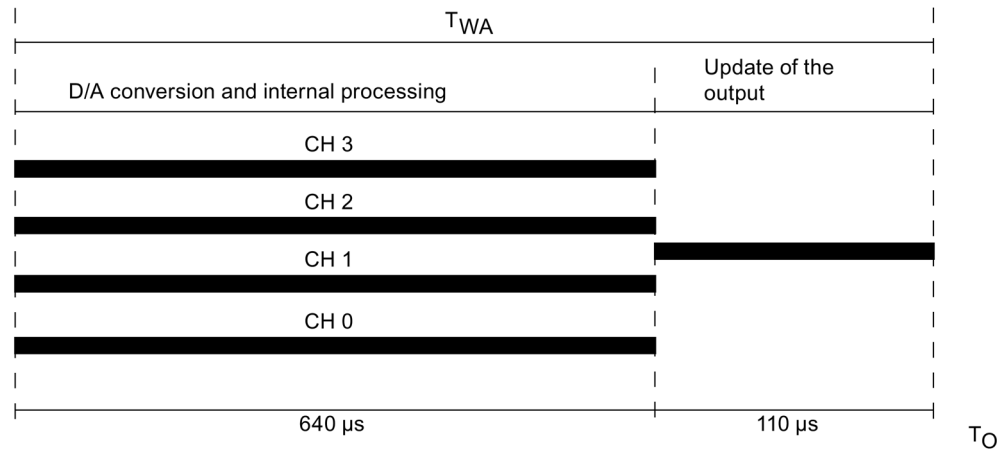


Figure 6-45 Calculation of the processing time and refresh time of the output

Definition of isochronous mode

During the time $T_O - T_{WA}$, the module reads the output data and saves the data internally. The internal processing time for each channel is used to write the results into the individual D/A converters.

Further information

You can find additional information on isochronous mode in the online help for *STEP 7*, and in the operating instructions Distributed I/O System ET 200M.

(<http://support.automation.siemens.com/WW/view/en/1142798>)

6.13.4 Additional information on SM 332; AO 4 x 16 Bit

Unused channels

To take unused output channels of SM 332; AO 4 x 16 Bit off power, set the "disabled" argument at the "output type" parameter, and leave the terminal open.

Substitute values

You can configure the SM 332; AO 4 x 16 Bit for CPU STOP mode as follows: Outputs off power, hold last value or set substitute values. The set substitute values must lie within the output range.

6.14 Analog output module SM 332; AO 4 x 12 Bit; (6ES7332-5HD01-0AB0)

Order number

6ES7332-5HD01-0AB0

Order number: "SIPLUS S7-300 module"

6AG1332-5HD01-7AB0

Properties

- 4 outputs in one group
- The output can be selected by individual channel
 - Voltage output
 - Current output
- Resolution 12 bits
- Programmable diagnostics and diagnostic interrupt
- Electrically isolated to backplane bus interface and load voltage
- Supports parameter reassignment in RUN

Diagnostics

For information on diagnostic messages at the "group diagnostics" parameter, refer to chapter Diagnostic messages of analog output modules (Page 296).

Terminal assignment

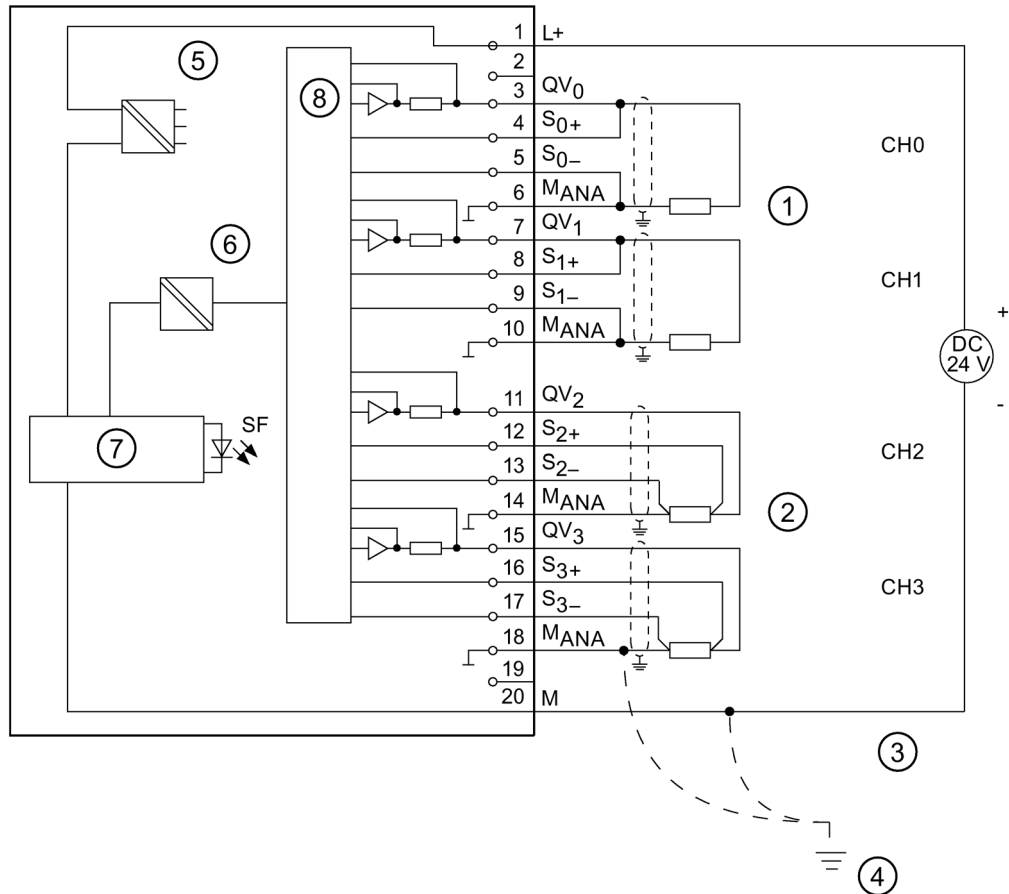
The diagrams below show various wiring options.

Note

When you switch the rated load voltage (L+) off and on, the outputs can return incorrect voltage/current values for the duration of about 500 ms.

Wiring: 2 and 4-wire connection for voltage output

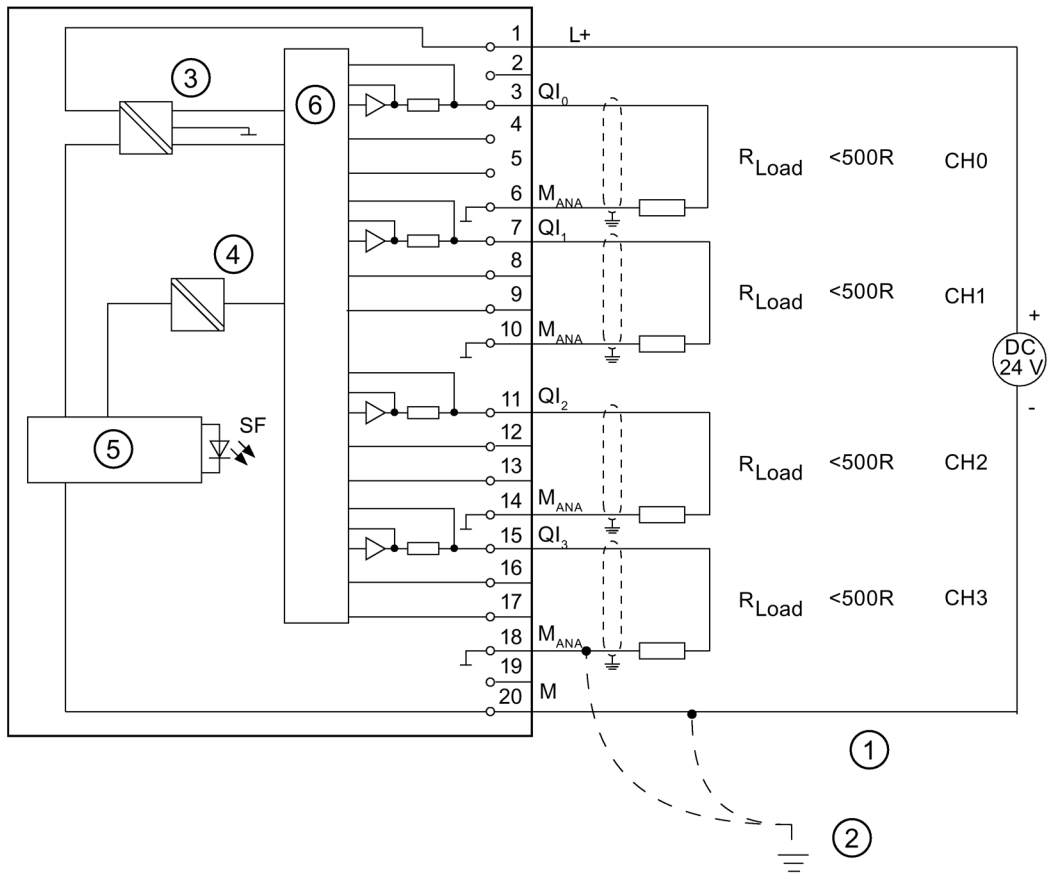
The following Fig. represents the 2-wire connection with no compensation for line resistors and the 4-wire connection with compensation for line resistors.



- ① 2-wire connection, no compensation for line resistors
- ② 4-wire connection, with compensation for line resistors
- ③ Equipotential bonding
- ④ Functional earthing
- ⑤ Internal supply
- ⑥ Electrical isolation
- ⑦ Backplane bus interface
- ⑧ Analog-to-Digital Converter (ADC)

Figure 6-46 Wiring and block diagram

Wiring: Current output



- ① Equipotential bonding
- ② Functional earthing
- ③ Internal supply
- ④ Electrical isolation
- ⑤ Backplane bus interface
- ⑥ Analog-to-Digital Converter (ADC)

Figure 6-47 Wiring and block diagram

Technical specifications

Technical specifications	
Dimensions and weight	
Dimensions W x H x D (mm)	40 x 125 x 117
Weight	ca. 220 g
Module-specific data	
Supports parameter reassignment in RUN	yes
Reaction of non-programmed outputs	Return the output value which was valid before the parameterization
Supports isochronous mode	no
Number of outputs	4
Cable length	max. 200 m
<ul style="list-style-type: none"> shielded 	
Voltages, currents, electrical potentials	
Rated load voltage L+	24 V DC
<ul style="list-style-type: none"> Reverse polarity protection 	Yes
Electrical isolation	Yes Yes no Yes
<ul style="list-style-type: none"> between channels and the backplane bus 	
<ul style="list-style-type: none"> between channels and electronics power supply 	
<ul style="list-style-type: none"> between channels 	
<ul style="list-style-type: none"> between channels and load voltage L+ 	Yes
Maximum potential difference	3 V DC
<ul style="list-style-type: none"> between S- and M_{ANA} (CMV) 	
Isolation test voltage	500 V DC
Current consumption	max. 60 mA max. 240 mA
<ul style="list-style-type: none"> from the backplane bus 	
<ul style="list-style-type: none"> from load voltage L+ (no-load) 	
Power loss of the module	typ. 3 W
Generation of analog values	
Resolution (including overshoot range)	11 bits + sign 12 bits
<ul style="list-style-type: none"> ± 10 V; ± 20 mA; 	
<ul style="list-style-type: none"> 4 mA to 20 mA; 1 V to 5 V 	
<ul style="list-style-type: none"> 0 V to 10 V; 0 mA to 20 mA 	
Conversion time (per channel)	max. 0.8 ms
Transient recovery time	0.2 ms 3.3 ms 0.5 ms (1 mH) 3.3 ms (10 mH)
<ul style="list-style-type: none"> with resistive load 	
<ul style="list-style-type: none"> with capacitive load 	
<ul style="list-style-type: none"> with inductive load 	

Technical specifications	
Interference frequency suppression, error limits	
Crosstalk between outputs	> 40 dB
Operational limit (across entire temperature range, relative to measurement range end value in the selected output range)	
<ul style="list-style-type: none"> Voltage output Current output 	± 0.5 % ± 0.6 %
Basic error limit (operational limit at 25 °C, relative to the measurement range end value in the selected output range)	
<ul style="list-style-type: none"> Voltage output Current output 	± 0.4 % ± 0.5 %
Temperature error (relative to output range)	± 0.002 %/K
Linearity error (relative to output range)	± 0.05 %
Repeat accuracy (in settled state at 25 °C, relative to output range)	± 0.05 %
Output ripple; range 0 Hz to 50 kHz (relative to output range)	± 0.05 %
Status, interrupts, diagnostics	
Interrupts <ul style="list-style-type: none"> Diagnostic interrupt 	Programmable
Diagnostic functions <ul style="list-style-type: none"> Group fault display Reading diagnostic information 	programmable Red LED (SF) Supported
Setting substitute values	Yes, programmable
Actuator selection data	
Output ranges (rated values)	
<ul style="list-style-type: none"> Voltage 	± 10 V 0 V to 10 V 1 V to 5 V
<ul style="list-style-type: none"> Current 	± 20 mA 0 mA to 20 mA 4 mA to 20 mA
Load impedance (in the rated range of the output)	
<ul style="list-style-type: none"> For voltage outputs <ul style="list-style-type: none"> Capacitive load 	Min. 1 kΩ Max. 1 μF
<ul style="list-style-type: none"> For current outputs <ul style="list-style-type: none"> at CMV < 1 V inductive load 	max. 500 Ω max. 600 Ω max. 10 mH
Voltage output <ul style="list-style-type: none"> Short-circuit protection Short-circuit current 	Yes max. 25 mA
Current output <ul style="list-style-type: none"> noload voltage 	max. 18 V

Technical specifications	
Destruction limit against external voltages/currents <ul style="list-style-type: none"> • Voltage at outputs to M_{ANA} • Current 	max. 18 V continuous; 75 V for the duration of max. 1 s (duty factor 1:20) max. 50 mA d.c.
Wiring of the actuators <ul style="list-style-type: none"> • for voltage output <ul style="list-style-type: none"> – 4-wire connection (measuring lead) • for current output <ul style="list-style-type: none"> – 2-wire connection 	using a 20-pin front connector supported supported

Parameter reassignment in RUN

If you reassign parameters in RUN, the following special characteristic applies.

SF LED is lit:

If a diagnostics was pending prior to reconfiguration, the SF LEDs (on CPU, IM or module) may be lit even though diagnostics is no longer pending and the module is operating correctly.

Solution:

- Only assign new parameters if no diagnostics is pending, or
- unplug module and plug it in again.

6.14.1 Output ranges of SM 332; AO 4 x 12 Bit

Introduction

You can configure the outputs for operation as voltage or current outputs, or disable them. You program the outputs at the "output type" parameter in *STEP 7*.

The output type "Voltage" and output range " ± 10 V" are set by default at the module. You can always use this combination of output type and range without having to program the SM 332; AO 4 x 12 Bit in *STEP 7*.

Output ranges

Program the voltage and current output ranges in *STEP 7*.

Table 6- 36 Output ranges of SM 332; AO 4 x 12 Bit

Selected type of output	Output range
Voltage	1 V to 5 V 0 V to 10 V ± 10 V
Current	0 mA to 20 mA 4 mA to 20 mA ± 20 mA

6.14.2 Programmable parameters

Introduction

For general information on programming analog modules, refer to the chapter Programming analog modules (Page 294).

The table below provides overview of programmable parameters and of their defaults.

Table 6- 37 Overview of the parameters of SM 332; AO 4 x 12 Bit

Parameters	Range of values		Default	Parameter type	Scope
Enable • Diagnostic interrupt	yes/no		no	dynamic	Module
Diagnostics • Group diagnostics	yes/no		no	static	Channel
Output • Output type • Output range	disabled Voltage Current See table of <i>Output ranges for SM 332; AO 4 x 12 Bit</i>		V ± 10 V	dynamic	Channel
Reaction to CPU STOP	ASS HLV SSV	Outputs zero current/voltage Hold last value Set substitute value	ASS	dynamic	Channel

Assigning parameters to channels

The parameters can be set separately at each output channel of SM 332; AO 4 x 12 Bit. You can assign separate parameters to each output channel.

Assign the parameters you set at the SFCs in the user program to the channel groups. Each output channel of SM 332; AO 4 x 12 Bit is thus assigned to a channel group, i.e. output channel 0 > channel group 0, for example.

Note

The output may carry incorrect interim values if you modify output ranges while SM 332; AO 4 x 12 Bit is in RUN.

See also

Diagnostic messages of analog output modules (Page 296)

6.14.3 Additional information on SM 332; AO 4 x 12 Bit

Unused channels

To take unused output channels of SM 332; AO 4 x 12 Bit off power, set the "disabled" argument at the "output type" parameter. Disabled channels do not have to be wired.

Line continuity check

SM 332; AO 4 x 12 Bit only performs a line continuity check at the current outputs.

In output ranges 0 mA to 20mA and ± 20 mA, a "reliable" wire-break check is not possible for output values of -20s to ± 200 μ A.

Short-circuit test

SM 332; AO 4 x 12 Bit only performs a short-circuit test at the voltage outputs.

Substitute values

You can configure the SM 332; AO 4 x 12 Bit for CPU STOP mode as follows: Outputs off power, hold last value or set substitute values. The set substitute values must lie within the output range.

6.15 Analog output module SM 332; AO 2 x 12 Bit; (6ES7332-5HB01-0AB0)

Order number: "Standard module"

6ES7332-5HB01-0AB0

Order number: "SIPLUS S7-300 module"

6AG1332-5HB01-2AB0

Properties

- 2 outputs in one group
- The outputs can be set separately as
 - voltage output
 - current output
- Resolution 12 bits
- Programmable diagnostics and diagnostic interrupt
- Electrically isolated to backplane bus interface and load voltage
- Supports parameter reassignment in RUN

Diagnostics

For information on diagnostic messages at the "group diagnostics" parameter, refer to chapter Diagnostic messages of analog output modules (Page 296).

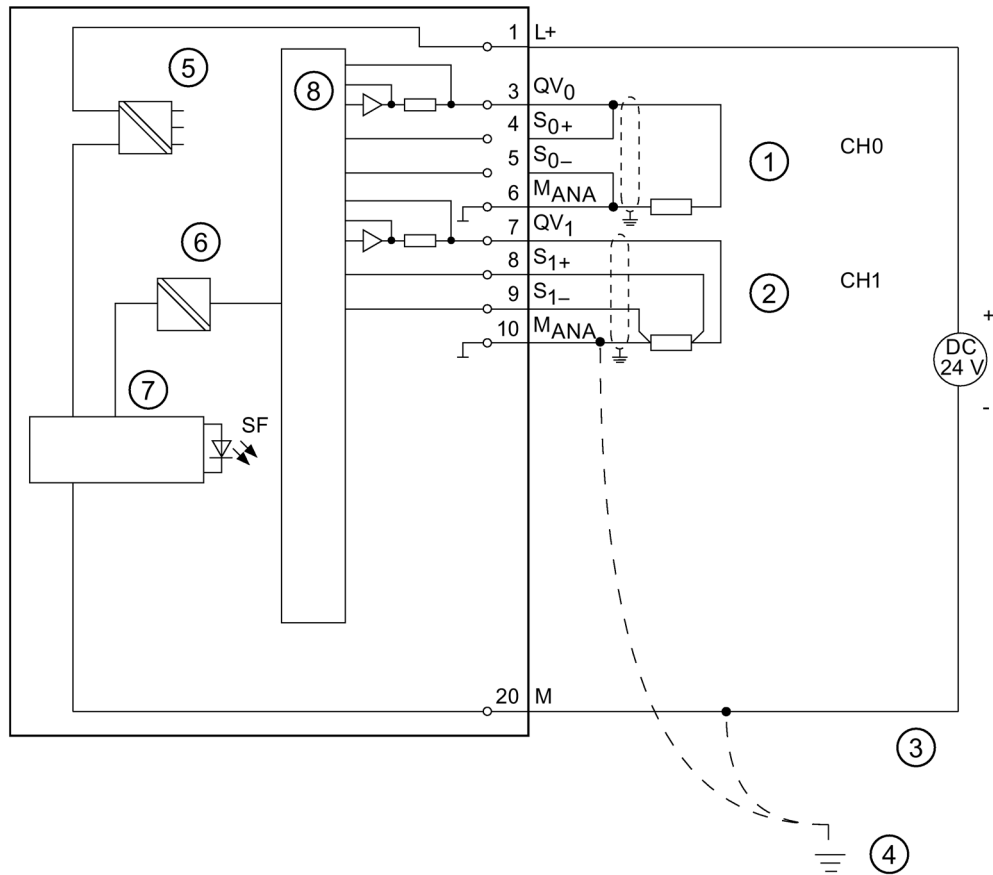
Terminal assignment

The diagrams below show various wiring options.

Note

When you switch the rated load voltage (L+) off and on, the outputs can return incorrect voltage/current values for the duration of about 500 ms.

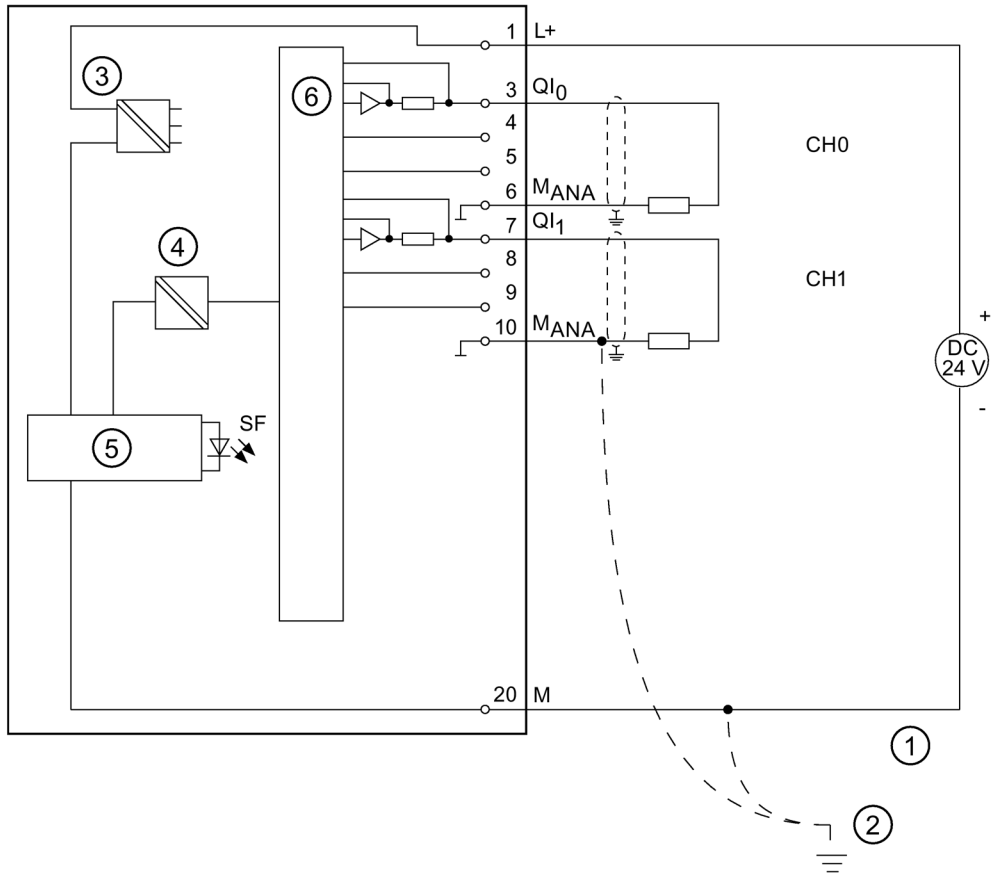
Wiring: 2 and 4-wire connection for voltage output



- ① 2-wire connection: no compensation for line impedance
- ② 4-wire connection: with compensation for line impedance
- ③ Equipotential bonding
- ④ Functional earthing
- ⑤ Internal supply
- ⑥ Electrical isolation
- ⑦ Backplane bus interface
- ⑧ Analog-to-Digital Converter (ADC)

Figure 6-48 Wiring and block diagram

Wiring for current output



- ① Equipotential bonding
- ② Functional earthing
- ③ Internal supply
- ④ Electrical isolation
- ⑤ Backplane bus interface
- ⑥ Digital analog converter (DAC)

Figure 6-49 Wiring and block diagram

Technical specifications

Technical specifications	
Dimensions and weight	
Dimensions W x H x D (mm)	40 x 125 x 117
Weight	Approximately 220 g
Module-specific data	
Supports parameter reassignment in RUN	Yes
Reaction of non-programmed outputs	Return the output value which was valid before the parameterization
Supports isochronous mode	no
Number of outputs	2
Cable length	max. 200 m
<ul style="list-style-type: none"> shielded 	
Voltages, currents, electrical potentials	
Rated load voltage L+	24 V DC
<ul style="list-style-type: none"> Reverse polarity protection 	Yes
Electrical isolation	Yes Yes no Yes
<ul style="list-style-type: none"> between channels and the backplane bus 	
<ul style="list-style-type: none"> between channels and electronics power supply 	
<ul style="list-style-type: none"> between channels 	
<ul style="list-style-type: none"> between channels and load voltage L+ 	Yes
Maximum potential difference	3 V DC
<ul style="list-style-type: none"> between S- and M_{ANA} (CMV) 	
Isolation test voltage	500 V DC
Current consumption	max. 60 mA max. 135 mA
<ul style="list-style-type: none"> from the backplane bus 	
<ul style="list-style-type: none"> from load voltage L+ (no-load) 	
Power loss of the module	typ. 3 W
Generation of analog values	
Resolution (including overshoot range)	11 bits + sign 12 bits
<ul style="list-style-type: none"> ± 10 V; ± 20 mA; 	
<ul style="list-style-type: none"> 4 mA to 20 mA; 1 V to 5 V 	
<ul style="list-style-type: none"> 0 V to 10 V; 0 mA to 20 mA 	
Conversion time (per channel)	max. 0.8 ms
Transient recovery time	0.2 ms 3.3 ms 0.5 ms (1 mH) 3.3 ms (10 mH)
<ul style="list-style-type: none"> with resistive load 	
<ul style="list-style-type: none"> with capacitive load 	
<ul style="list-style-type: none"> with inductive load 	

Technical specifications	
Interference frequency suppression, error limits	
Crosstalk between outputs	> 40 dB
Operational limit (across entire temperature range, relative to measurement range end value in the selected output range)	
<ul style="list-style-type: none"> Voltage output Current output 	<ul style="list-style-type: none"> ± 0.5 % ± 0.6 %
Basic error limit (operational limit at 25 °C, relative to the measurement range end value in the selected output range)	
<ul style="list-style-type: none"> Voltage output Current output 	<ul style="list-style-type: none"> ± 0.4 % ± 0.5 %
Temperature error (relative to output range)	± 0.002 %/K
Linearity error (relative to output range)	± 0.05 %
Repeat accuracy (in settled state at 25 °C, relative to output range)	± 0.05 %
Output ripple; range 0 Hz to 50 kHz (relative to output range)	± 0.05 %
Status, interrupts, diagnostics	
Interrupts	
<ul style="list-style-type: none"> Diagnostic interrupt 	programmable
Diagnostic functions	programmable
<ul style="list-style-type: none"> Group error display Reading diagnostic information 	red LED (SF) supported
Setting substitute values	Yes, programmable
Actuator selection data	
Output ranges (rated values)	
<ul style="list-style-type: none"> Voltage 	<ul style="list-style-type: none"> ± 10 V 0 V to 10 V 1 V to 5 V
<ul style="list-style-type: none"> Current 	<ul style="list-style-type: none"> ± 20 mA 0 mA to 20 mA 4 mA to 20 mA
Load impedance (in the rated range of the output)	
<ul style="list-style-type: none"> For voltage outputs <ul style="list-style-type: none"> – capacitive load 	<ul style="list-style-type: none"> min. 1 kΩ max. 1 μF
<ul style="list-style-type: none"> For current outputs <ul style="list-style-type: none"> – at CMV < 1 V – inductive load 	<ul style="list-style-type: none"> max. 500 Ω max. 600 Ω max. 10 mH
Voltage output	
<ul style="list-style-type: none"> Short-circuit protection Short-circuit current 	<ul style="list-style-type: none"> Yes max. 25 mA
Current output	
<ul style="list-style-type: none"> noload voltage 	max. 18 V

Technical specifications	
Destruction limit against external voltages/currents <ul style="list-style-type: none"> • Voltage at outputs to M_{ANA} • Current 	max. 18 V continuous; 75 V for the duration of max. 1 s (duty factor 1:20) max. 50 mA DC
<ul style="list-style-type: none"> • Wiring of the actuators • for voltage output <ul style="list-style-type: none"> – 2-wire connection – 4-wire connection (measuring line) • for current output <ul style="list-style-type: none"> – 2-wire connection 	using a 20-pin front connector supported supported supported

Reassigning parameters in RUN

If you reassign parameters in RUN, the following special characteristic applies.

SF LED is lit:

If a diagnostics was pending prior to reconfiguration, the SF LEDs (on CPU, IM or module) may be lit even though diagnostics is no longer pending and the module is operating correctly.

Solution:

- Only assign new parameters if no diagnostics is pending, or
- unplug module and plug it in again.

6.15.1 Output ranges of SM 332; AO 2 x 12 Bit

Introduction

You can configure the outputs for operation as voltage or current outputs, or disable them. You program the outputs at the "output type" parameter in *STEP 7*.

Output type "Voltage" and output range "± 10 V" are set by default at the module. You can always use this combination of output type and range without having to program the SM 332; AO 2 x 12 Bit in *STEP 7*.

Output ranges

Program the voltage and current output ranges in *STEP 7*.

Table 6- 38 Output ranges of SM 332; AO 2 x 12 Bit

Selected type of output	Output range
Voltage	1 V to 5 V 0 V to 10 V ± 10 V
Current	0 mA to 20 mA 4 mA to 20 mA ± 20 mA

6.15.2 Programmable parameters

Introduction

For general information on programming analog modules, refer to the chapter Programming analog modules (Page 294).

The table below provides an overview of configurable parameters, including defaults:

Table 6- 39 Overview of the parameters of SM 332; AO 2 x 12 Bit

Parameter	Range of values		Default	Parameter type	Scope
Enable • Diagnostic interrupt	Yes/no		No	Dynamic	Module
Diagnostics • Group diagnostics	Yes/no		No	Static	Channel
Edition • Output type • Output range	disabled Voltage Current See chapter Output ranges for SM 332; AO 2 x 12 Bit (Page 473)		V ± 10 V	dynamic	Channel
Reaction to CPU STOP	ASS HLV SSV	Outputs zero current/voltage Hold last value Set substitute value	ASS	dynamic	Channel

Assigning parameters to channels

The parameters can be set separately at each output channel of SM 332; AO 2 x 12 Bit. You can assign separate parameters to each output channel.

Assign the parameters you set at the SFCs in the user program to the channel groups. Each output channel of SM 332; AO 2 x 12 Bit is thus assigned to a channel group, i.e. output channel 0 > channel group 0, for example.

Note

The output may carry invalid interim values if you modify output ranges while SM 332; AO 2 x 12 bit is in RUN.

See also

Diagnostic messages of analog output modules (Page 296)

6.15.3 Additional information on SM 332; AO 2 x 12 Bit

Unused channels

To take unused output channels of SM 332; AO 2 x 12 Bit off power, set the "disabled" argument at the "output type" parameter. Disabled channels do not have to be wired.

Line continuity check

SM 332; AO 2 x 12 Bit only performs a line continuity check at the current outputs.

In output ranges 0 mA to 20mA and ± 20 mA, a "reliable" wire-break check is not possible for output values of -20s to ± 200 μ A.

Short-circuit test

SM 332; AO 2 x 12 Bit only performs a short-circuit test at the voltage outputs.

Substitute values

You can configure the SM 332; AO 2 x 12 Bit for CPU STOP mode as follows: Outputs off power, hold last value or set substitute values. The set substitute values must lie within the output range.

6.16 Analog IO module SM 334; AI 4/AO 2 x 8/8 Bit; (6ES7334-0CE01-0AA0)

Order number

6ES7334-0CE01-0AA0

Properties

- 4 inputs in one group and 2 outputs in one group
- Resolution 8 bits
- Programmable measurement type at each channel group
 - Voltage
 - Current
- Not programmable, measurement and output type defined by hardwiring
- Connected to potential of the backplane bus interface
- Electrically isolated to load voltage

Terminal assignment

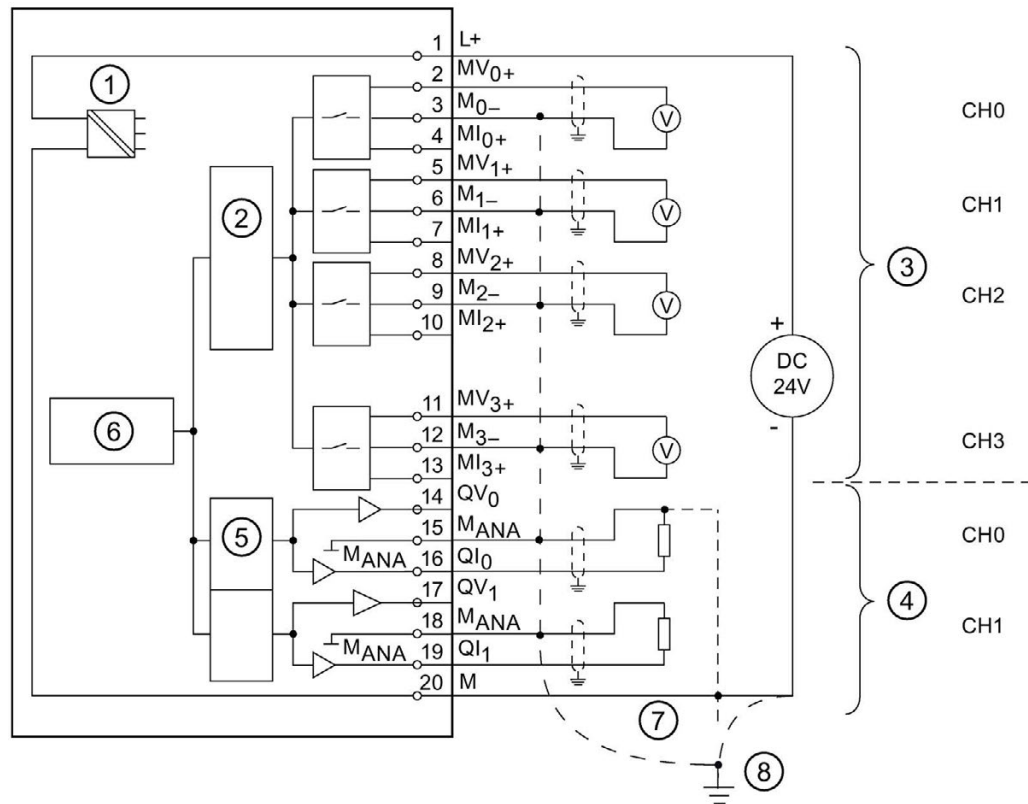
The diagrams below show various wiring options.

Note

Note when wiring the SM 334:

- analog ground **M_{ANA}** (terminal 15 or 18) is interconnected with chassis ground **M** of the **CPU or interface module IM**. Use a cable with a conductor cross-section of at least 1 mm².
The module will shut down if the ground connection between M_{ANA} and M is missing. Inputs are read with 7FFF_H, and outputs return a value of 0. The module may be destroyed if operated without ground over a longer period of time.
 - the **supply voltage for the CPU and/or the interface module (IM) may not be connected with reversed polarity**. Reverse polarity will inevitably lead to the destruction of the module, because M_{ANA} develops an impermissible high potential (+24 V.)
-

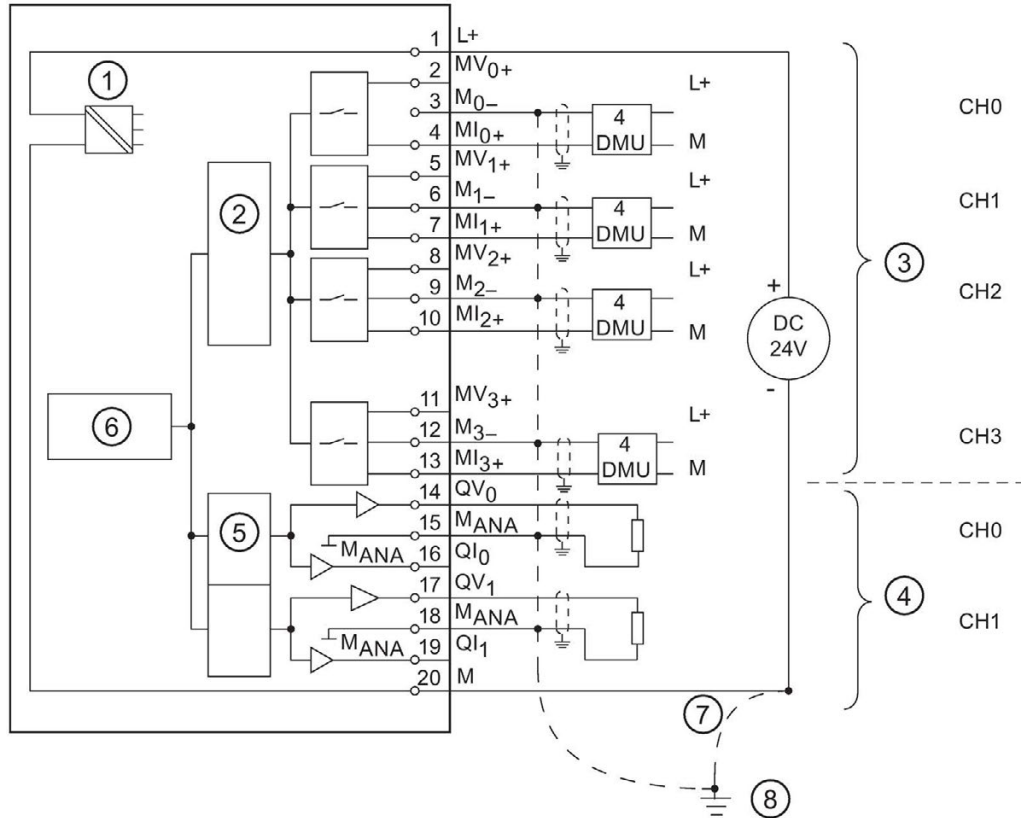
Wiring: Voltage measurement and current output



- ① Internal supply
- ② Analog-to-Digital Converter (ADC)
- ③ Inputs: Voltage measurement
- ④ Outputs: Voltage output
- ⑤ Digital-to-Analog Converter (DAC)
- ⑥ Backplane bus interface
- ⑦ Equipotential bonding
- ⑧ Functional earthing

Figure 6-50 Wiring and block diagrams

Wiring: 4-wire transducers for current measurement and voltage output



- ① Internal supply
- ② Analog-to-Digital Converter (ADC)
- ③ Inputs: Current measurement with 4-wire transducer
- ④ Outputs: Voltage output
- ⑤ Digital-to-Analog Converter (DAC)
- ⑥ Backplane bus interface
- ⑦ Equipotential bonding
- ⑧ Functional earthing

Figure 6-51 Wiring and block diagrams

Technical specifications

Technical specifications	
Dimensions and weight	
Dimensions W x H x D (mm)	40 x 125 x 117
Weight	ca. 285 g
Module-specific data	
Supports isochronous mode	no
Number of inputs	4
Number of outputs	2
Cable length	max. 200 m
<ul style="list-style-type: none"> shielded 	
Voltages, currents, electrical potentials	
Rated supply voltage of the rated electronics and load voltage L+	24 VDC
Electrical isolation	
<ul style="list-style-type: none"> between channels and the backplane bus between channels and electronics power supply 	no yes
between channels	no
Maximum potential difference	
<ul style="list-style-type: none"> between inputs and M_{ANA} (CMV) between inputs (CMV) 	1 VDC 1 VDC
Isolation test voltage	500 VDC
Current consumption	
<ul style="list-style-type: none"> from the backplane bus from supply and load voltage L+ (no load) 	max. 55 mA max. 110 mA
Power loss of the module	typ. 3 W
Generation of analog input values	
Measuring principle	Actual value conversion
<ul style="list-style-type: none"> Resolution (including overshoot range) 	8 bits
Integration/conversion time (per channel)	
<ul style="list-style-type: none"> programmable Integration time in μs 	no <500
Basic execution time of inputs	max. 5 ms
Time constant of the input filter	0.8 ms

Technical specifications	
Generation of analog output values	
• Resolution (including overshoot range)	8 bits
Conversion time (per channel)	
• programmable	no
• Conversion time in μ s	<500
Basic execution time of outputs	max. 5 ms
Transient recovery time	
• with resistive load	0.3 ms
• with capacitive load	3.0 ms
• with inductive load	0.3 ms
Interference frequency suppression, error limits for inputs	
Interference frequency suppression at $F = n (f1 \pm 1 \%)$ ($f1 =$ interference frequency)	
• Common mode interference ($V_{pp} < 1 V$)	> 60 dB
Crosstalk between outputs	> 50 dB
Operational limit (across entire temperature range, relative to measurement range end value in the selected input range)	
• Voltage input	$\pm 0,9 \%$
• Current input	$\pm 0,8 \%$
Basic error limit (operational limit at 25 °C, relative to measurement range end value of the selected input range)	
• Voltage input	$\pm 0,7 \%$
• Current input	$\pm 0,6 \%$
Temperature error (relative to input range)	$\pm 0.005 \%/K$
Linearity error (relative to input range)	$\pm 0,05 \%$
Repeat accuracy (in transient state at 25 °C, relative to input range)	$\pm 0,05 \%$
Output ripple; range 0 Hz to 50 kHz (relative to output range)	$\pm 0,05 \%$
Interference frequency suppression, error limits of outputs	
Crosstalk between outputs	> 40 dB
Operational limit (across entire temperature range, relative to measurement range end value in the selected output range)	
• Voltage output	$\pm 0,6 \%$
• Current output	$\pm 1,0 \%$
Basic error limit (operational limit at 25 °C, relative to the measurement range end value in the selected output range)	
• Voltage output	$\pm 0,5 \%$
• Current output	$\pm 0,5 \%$
Temperature error (relative to output range)	$\pm 0.02 \%/K$
Linearity error (relative to output range)	$\pm 0,05 \%$
Repeat accuracy (in transient state at 25 °C, relative to output range)	$\pm 0,05 \%$
Output ripple (bandwidth relative to output range)	$\pm 0,05 \%$
Status, interrupts, diagnostics	
Interrupts	none
Diagnostic functions	none

Technical specifications	
Sensor selection data	
Input ranges (rated values) / input impedance	
<ul style="list-style-type: none"> Voltage Current 	0 V to 10 V/100 k Ω 0 mA to 20 mA/50 Ω
Maximum voltage at voltage input (destruction limit)	max. 20 V continuous; 75 V for max. duration of 1 s (duty factor 1:20)
Maximum current at current input (destruction limit)	40 mA
Wiring of the signal sensors	using a 20-pin front connector supported
<ul style="list-style-type: none"> for voltage measurement for current measurement as 2-wire transducer as 4-wire transducer 	supported with external supply
Actuator selection data	
Output ranges (rated values)	
<ul style="list-style-type: none"> Voltage Current 	0 V to 10 V 0 mA to 20 mA
Load impedance (in the rated output range)	
<ul style="list-style-type: none"> For voltage outputs <ul style="list-style-type: none"> – capacitive load For current outputs <ul style="list-style-type: none"> – inductive load 	min. 5 k Ω max. 1 μ F max. 300 Ω max. 1 mH
Voltage output	
<ul style="list-style-type: none"> Short-circuit protection Short-circuit current 	yes max. 11 mA
Current output	
<ul style="list-style-type: none"> no-load voltage 	max. 15 V
Destruction limit against external voltages/currents	
<ul style="list-style-type: none"> Voltage at outputs to MANA Current 	max. 15 V, continuous max. 50 mA d.c.
Wiring of the actuators	using a 20-pin front connector
<ul style="list-style-type: none"> for voltage output 2-wire connection 4-wire connection (measuring line) 	supported not supported

6.16.1 SM 334; AI 4/AO 2 x 8/8 Bit - Function principle

Introduction

SM 334; AI 4/AO 2 x 8/8 bit is a non-isolated analog IO module. SM 334; AI 4/AO 2 x 8/8 Bit is not programmable.

Addressing

The I/O of the module are addressed beginning at the module start address.

The address of a channel is derived from the module start address and an address offset.

Input addresses

Valid input addresses:

Channel	Address
0	Module start address
1	Module start address + 2 bytes address offset
2	Module start address + 4 bytes address offset
3	Module start address + 6 bytes address offset

Output addresses

Valid output addresses:

Channel	Address
0	Module start address
1	Module start address + 2 bytes address offset

6.16.2 Measurement and output type of SM 334; AI 4/AO 2 x 8/8 bit

Introduction

SM 334; AI 4/AO 2 x 8/8 Bit is not programmable.

Defining the measurement and output type

Set the measurement type (voltage, current) by hardwiring the input channel.

Set the output type (voltage, current) by hardwiring the output channel.

See also

Representation of the values for analog input channels (Page 262)

Representation of analog values for analog output channels (Page 279)

6.16.3 Measurement and output ranges of SM 334; AI 4/ AO 2 x 8/8 bit

Measuring ranges

SM 334; AI 4/AO 2 x 8/8 Bit provides the 0 V to 10 V and 0 mA to 20 mA measuring ranges.

By contrast to the other analog modules, the SM 334 has a lower resolution and no negative measuring ranges. Make allowances for this feature when reading the measured value tables *Analog value representation in the ± 1 V to ± 10 V measuring ranges* and *Analog value representation in the 0 mA to 20 mA and 4 mA to 20 mA measuring ranges*.

Output ranges

SM 334; AI 4/AO 2 x 8/8 Bit provides the 0 V to 10 V and 0 mA to 20 mA output ranges.

Compared to the other analog modules, the SM 334 has a lower resolution, and its analog outputs do not have any overshoot ranges. Make allowances for this feature when reading the tables *Analog value representation in the 0 V to 10 V and 1 V to 5 V output ranges* and *Analog value representation in the 0 mA to 20 mA and 4 mA to 20 mA output ranges*.

6.16.4 Additional information on SM 334; AI 4/AO2 x 8/8 Bit

Unused channels

Always short-circuit unused input channels, and connect these to M_{ANA} . This optimizes interference immunity of the analog input module.

Leave unused output channels open.

6.17 Analog IO module SM 334; AI 4/AO 2 x 12 bit; (6ES7334-0KE00-0AB0)

Order number: "Standard module"

6ES7334-0KE00-0AB0

Order number: "SIPLUS S7-300 module"

6AG1334-0KE00-2AB0

Properties

- 4 inputs in 2 groups and 2 outputs in one group
- Resolution of 12 bits + sign
- Programmable measurement type at each channel group:
 - Voltage (not adjustable for channel 0 and channel 1)
 - Resistance
 - Temperature
- Electrically isolated to the backplane bus interface
- Electrically isolated to load voltage

Terminal assignment

The diagrams below show various wiring options.

Note

When you switch the rated load voltage supply on/off, the output may assume invalid interim values below the rated load voltage.

Wiring: Resistance measurement, voltage measurement and voltage output

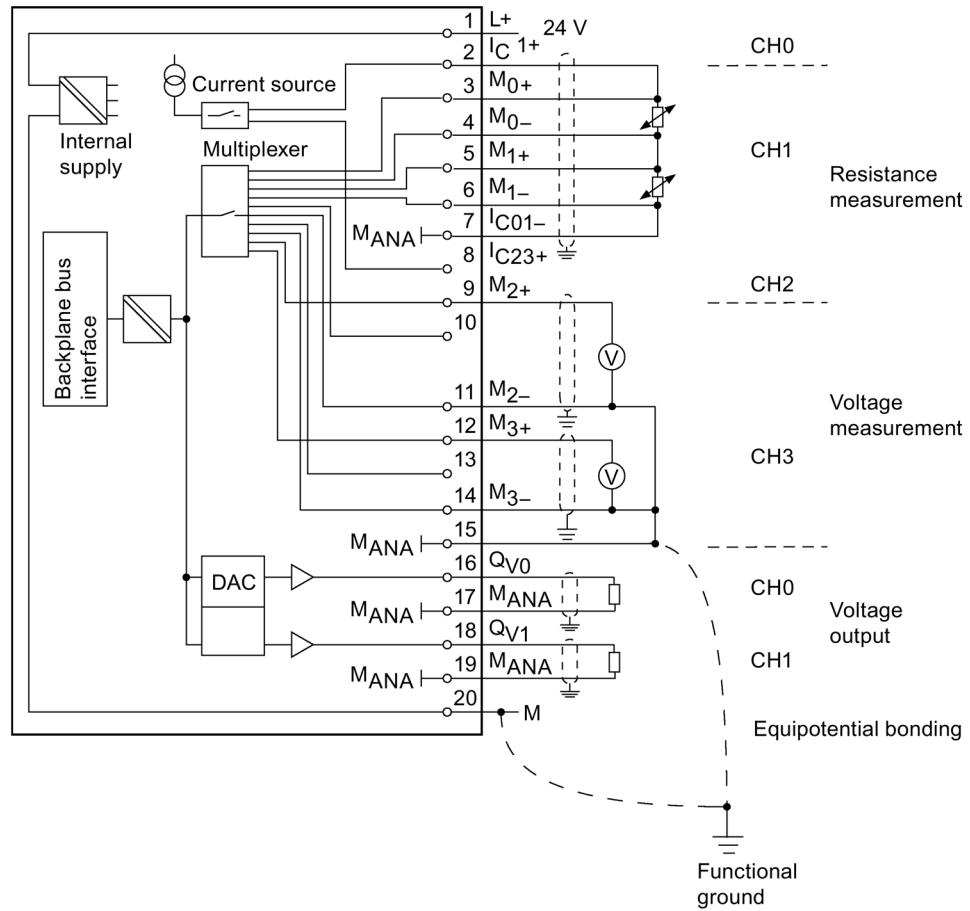


Figure 6-52 Wiring and block diagram

Wiring: Resistance measurement and voltage output

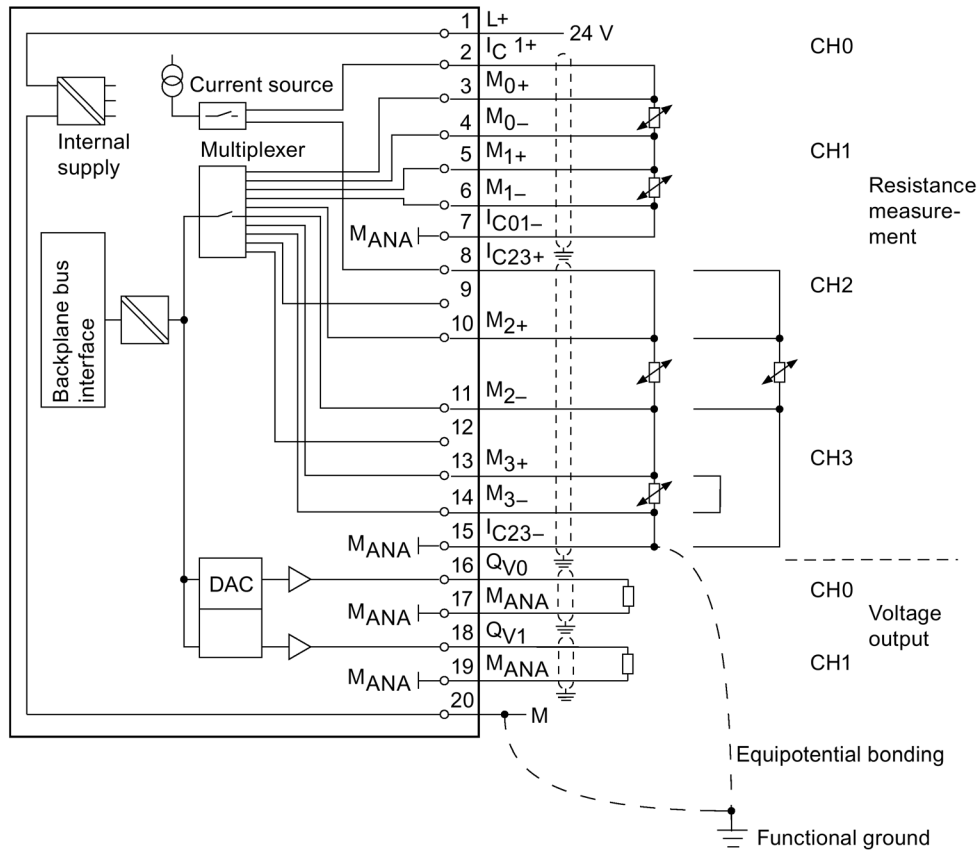


Figure 6-53 Wiring and block diagram

Technical specifications

Technical specifications	
Dimensions and weight	
Dimensions W x H x D (mm)	40 x 125 x 117
Weight	approx. 200 g
Module-specific data	
Supports isochronous mode	No
Number of inputs	4
• with resistive transducers	4
Number of outputs	2
Shielded cable length	max. 100 m

6.17 Analog IO module SM 334; AI 4/AO 2 x 12 bit; (6ES7334-0KE00-0AB0)

Technical specifications		
Voltages, currents, electrical potentials		
Supply voltage of the rated electronics and load voltage L+ • Reverse polarity protection	24 V DC Yes	
Constant measuring current for resistive transducers (pulsed) • For PT 100 • at 10 k Ω	typ. 490 μ A; from product version 06: 1.5 mA typ. 105 μ A	
Electrical isolation • between channels and the backplane bus • between channels and electronics power supply	Yes Yes	
between channels	No	
Maximum potential difference • between inputs and M_{ANA} (V_{CM}) • between inputs (V_{CM})	1 V 1 V	
Isolation test voltage	500 V DC	
Current consumption • from the backplane bus • from supply and load voltage L+ (no load)	max. 60 mA max. 80 mA	
Power loss of the module	typ. 2 W	
Generation of analog input values		
Measuring principle	Integrating	
Integration/conversion time (per channel)		
• programmable	Yes	
• Integration time in ms	16 ^{2/3}	20
• Basic conversion time, including the integration time in ms	72	85
• Additional conversion time for resistance measurements in ms	72	85
• Resolution in bits (including overshoot range)	12 bits	12 bits
• Interference frequency suppression at interference frequency f1 in Hz	60	50
Measured value smoothing	programmable, in 2 stages	
Time constant of the input filter	0.9 ms	
Basic execution time of the module (all channels enabled)	350 ms	
Generation of analog output values		
Resolution (including overshoot range)	12 bits	
Conversion time (per channel)	500 μ s	
Transient recovery time • with resistive load • with capacitive load	0.8 ms 0.8 ms	

Technical specifications		
Interference frequency suppression, error limits for inputs		
Interference frequency suppression at $F = n (f1 \pm 1 \%)$ ($f1 =$ interference frequency)		
<ul style="list-style-type: none"> Common mode interference ($V_{pp} < 1 \text{ V}$) Seriesmode interference (peak interference value $<$ rated input range) 	> 38 dB	> 36 dB
Crosstalk between inputs	> 88 dB	
Operational limit (across entire temperature range, relative to the measurement range end value in the selected input range)		
• Voltage input	0 V to 10 V	$\pm 0.7 \%$
• Resistance input	10 k Ω	$\pm 3.5 \%$
• Temperature input	Pt 100	$\pm 1 \%$
Basic error limit (operational limit at 25 °C, relative to the measurement range end value in the selected input range)		
• Voltage input	0 V to 10 V	$\pm 0.5 \%$
• Resistance input	10 k Ω	$\pm 2.8 \%$
• Temperature input	Pt 100	$\pm 0.8 \%$
Temperature error (relative to input range)	$\pm 0.01 \%/K$	
Linearity error (relative to input range)	$\pm 0.05 \%$	
Repeat accuracy (in settled state at 25 °C, relative to input range)	$\pm 0.05 \%$	
Interference frequency suppression, error limits of outputs		
Crosstalk between outputs	> 88 dB	
Operational limit (across entire temperature range, relative to measurement range end value in the selected output range)		
• Voltage output	$\pm 1.0 \%$	
Basic error limit (operational limit at 25 °C, relative to the measurement range end value in the selected output range)		
• Voltage output	$\pm 0.85 \%$	
Temperature error (relative to output range)	$\pm 0.01 \%/K$	
Linearity error (relative to output range)	$\pm 0.01 \%$	
Repeat accuracy (in transient state at 25 °C, relative to output range)	$\pm 0.01 \%$	
Output ripple; range 0 Hz to 50 kHz (relative to output range)	$\pm 0.1 \%$	
Status, interrupts, diagnostics		
Interrupts	none	
Diagnostic function	none	
Encoder selection data		
Input ranges (rated values) / input impedance		
• Voltage	0 V to 10 V	100 k Ω
• Resistance	10 k Ω	10 M Ω
• Temperature	Pt 100	10 M Ω
Maximum voltage at voltage input (destruction limit)	max. 20 V continuous; 75 V for max. duration of 1 s (duty factor 1:20)	

Technical specifications	
Wiring of the signal transmitters <ul style="list-style-type: none"> for voltage measurement for resistance measurement with 2-wire connection with 3-wire connection with 4-wire connection 	supported supported supported supported
Characteristics linearization <ul style="list-style-type: none"> for resistance thermometers 	programmable Pt 100 (Climatic range)
Technical unit of data formats	degrees Centigrade
Actuator selection data	
Output range (rated value) <ul style="list-style-type: none"> Voltage 	0 V to 10 V
Load impedance (in the rated output range)	
<ul style="list-style-type: none"> For voltage outputs – capacitive load 	min. 2.5 k Ω * max. 1.0 μ F
Voltage output <ul style="list-style-type: none"> Short-circuit protection Short-circuit current 	Yes max. 30 mA
Destruction limit against external voltages/currents <ul style="list-style-type: none"> Voltage at outputs to MANA 	max. 15 V, continuous
Wiring of the actuators <ul style="list-style-type: none"> for voltage output 2-wire connection 4-wire connection (measuring line) 	using a 20-pin front connector supported not supported

* the error limits specified for the outputs are only valid when there is a high-ohm connection. In the entire load resistance range, an additional error of <0.9 % can result.

6.17.1 Programmable parameters

Introduction

For general information on programming analog modules, refer to the chapter Programming analog modules (Page 294).

The table below provides an overview of configurable parameters, including defaults:

Table 6- 40 Summary of parameters SM 334; AI 4/AO 2 x 12 Bit

Parameters	Range of values	Default	Parameter type	Scope
Input				
Measurement				
• Measurement type	disabled	RTD-4L		
	V			
	R-4L	Voltage Resistance (4-wire connection)		
	RTD-4L	Thermal resistance (linear, 4-wire connection)	dynamic	Channel
• Measuring range	0 V to 10 V 10000 Ω Pt 100 Klima	Pt 100 Klima		
Output				
• Output type	disabled	V		
	Voltage		dynamic	Channel
• Output range	0 V to 10 V	0 V to 10 V		

6.17.2 Measurement types and ranges

Introduction

You can configure the outputs for operation as voltage or current outputs, or disable these.

You can wire the outputs as voltage outputs, or disable these.

Program the outputs at the "measurement type" AND output type" parameters in *STEP 7*.

Input defaults

The "thermoelectric resistance (linear, 4-wire connection)" measurement type and "Pt 100 Klima" measuring range are set by default at the module. You can use these default settings without having to program the SM 334; AI 4/AO 2 x12 Bit in *STEP 7*.

Options of wiring the input channels

You can wire the input channels of SM 334; AI 4/AO 2 x 12 Bit in the following combinations:

Channel	Wiring versions
Channels 0 and 1	<ul style="list-style-type: none"> • 2 x temperature or • 2 x resistance
Channels 2 and 3	<ul style="list-style-type: none"> • 2 x voltage, • 2 x resistance, • 2 x temperature, • 1 x temperature and 1 x voltage, or • 1 x resistance and 1 x voltage

Note

Wiring both a temperature sensor and a resistor to channels 0 and 1 or 2 and 3 is not allowed.

Reason: Common current source for both channels.

Measuring ranges

Program the measuring ranges in *STEP 7*.

Table 6- 41 Measurement types and ranges

Selected type of measurement	Measuring range
V: Voltage	0 V to 10 V
R-4L: resistance (4-wire connection)	10 k Ω
RTD-4L: Thermoresistor (linear, 4-wire connection) (temperature measurement)	Pt 100 Klima

Output ranges of SM 334; AI 4/ AO 2 x 12 bit

The "voltage" output type and "0 V to 10 V" output range are set by default at the module. You can always use this combination of the output type and range without having to program the SM 334; AO 4 x 2 Bit in *STEP 7*.

Table 6- 42 Output ranges

Selected type of output	Output range
Voltage	0 V to 10 V

See also

Representation of analog values for analog output channels (Page 279)

6.17.3 Additional information on SM 334; AI 4/ AO 2 x 12 bit

Unused channels

Set the "disabled" value at the "measurement type" parameter for unused input channels. This setting reduces module cycle times.

Always short-circuit unused input channels, and connect these to M_{ANA} . This optimizes interference immunity of the analog input module.

To take the unused output channels of SM 334; AI 4/AO 2 x 12 Bit off power, always set "disabled" argument at the "output type" parameter, and leave the connection open.

Other signal modules

Signal modules

This chapter describes the technical data and properties of the S7-300 signal modules.

7.1 Module overview

Introduction

The table below summarizes the essential features of the signal modules described in this chapter. This overview supports you in selecting a module to suit your requirements.

Table 7- 1 Special signal modules: Overview of properties

Properties	Simulator module SM 374; IN/OUT 16	Dummy module DM 370	Position decoder module SM 338; POS-INPUT
Number of in-puts/outputs	<ul style="list-style-type: none"> max. 16 inputs or outputs 	1 slot reserved for non-programmable module	<ul style="list-style-type: none"> 3 inputs for absolute encoders (SSI) 2 digital inputs for freezing encoder values
Suitable for...	Simulation of: <ul style="list-style-type: none"> 16 inputs or 16 outputs or 8 inputs and 8 outputs 	Dummy for: <ul style="list-style-type: none"> Interface modules non-programmable signal modules modules which occupy 2 slots 	Position detection using up to three absolute encoders (SSI) Encoder types: Absolute encoder (SSI), message frame length 13 bits, 21 bits or 25 bits Data formats: Gray code or binary code
Isochronous mode supported	no	no	yes
Programmable diagnostics	no	no	no
Diagnostics interrupt	no	no	programmable
Special features	Function adjustable with screwdriver	the mechanical structure and addressing of the overall configuration remains unchanged when DM 370 is replaced with a different module.	SM 338 does not support absolute encoders with a monoflop time > 64 µs

7.2 Simulator module SM 374; IN/OUT 16; (6ES7374-2XH01-0AA0)

Order number

6ES7374-2XH01-0AA0

Properties

Properties of simulator module SM 374; IN/OUT 16:

- Simulation of:
 - 16 inputs or
 - 16 outputs or
 - 8 inputs and 8 outputs (each with the same start addresses!)
- Status displays for the simulation of inputs and outputs
- Function adjustable with screwdriver

Note

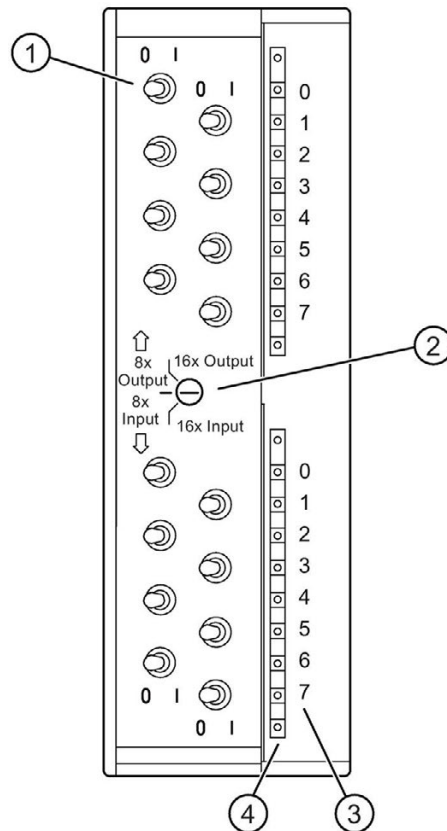
Do not operate the function selection switch in RUN!

Configuration in *STEP 7*

The simulator module SM 374; IN/OUT 16 is not included in the *STEP 7* module catalog. *STEP 7* therefore does not recognize the SM 374 order number. "Simulate" the simulator module function required for your configuration as follows:

- To use the SM 374 **with 16 inputs**, define the order number of a digital input module with 16 inputs in *STEP 7*,
for example: 6ES7321-1BH02-0AA0
- To use the SM 374 **with 16 outputs**, define the order number of a digital output module with 16 outputs in *STEP 7*,
for example: 6ES7322-1BH01-0AA0
- To use the SM 374 **with 8 inputs and 8 outputs**, define the order number of a digital input/output module with 8 inputs and 8 outputs in *STEP 7*,
for example: 6ES7323-1BH00-0AA0

Module view (without front panel door)



- ① Input status selector switch
- ② Function selector switch
- ③ Channel number
- ④ Status displays - green

Technical data of SM 374; IN/OUT 16

Technical data	
Dimensions and weight	
Dimensions W x H x D (mm)	40 x 125 x 110
Weight	approx. 190 g
Module-specific data	
Optional simulation of	16 inputs 16 outputs 8 inputs and 8 outputs
Voltages, currents, electrical potentials	
Current consumption from the backplane bus	max. 80 mA
Power loss of the module	typ. 0.35 W
Status, interrupts, diagnostics	
Status display	yes, green LED for each channel
Interrupts	no
Diagnostics functions	no

7.3 Dummy module DM 370; (6ES7370-0AA01-0AA0)

Order number

6ES7 370-0AA01-0AA0

Properties

The dummy module DM 370 reserves a slot for a non-configured module. It can be used as dummy module for:

- Interface modules (without reservation of address space)
- Non-configured signal modules (with reservation of address space)
- Modules which occupy 2 slots (with reservation of address space)

When replacing the dummy module with another S7-300 module, the mechanical assembly and address assignment/addressing of the entire configuration remain unchanged.

Configuration in *STEP 7*

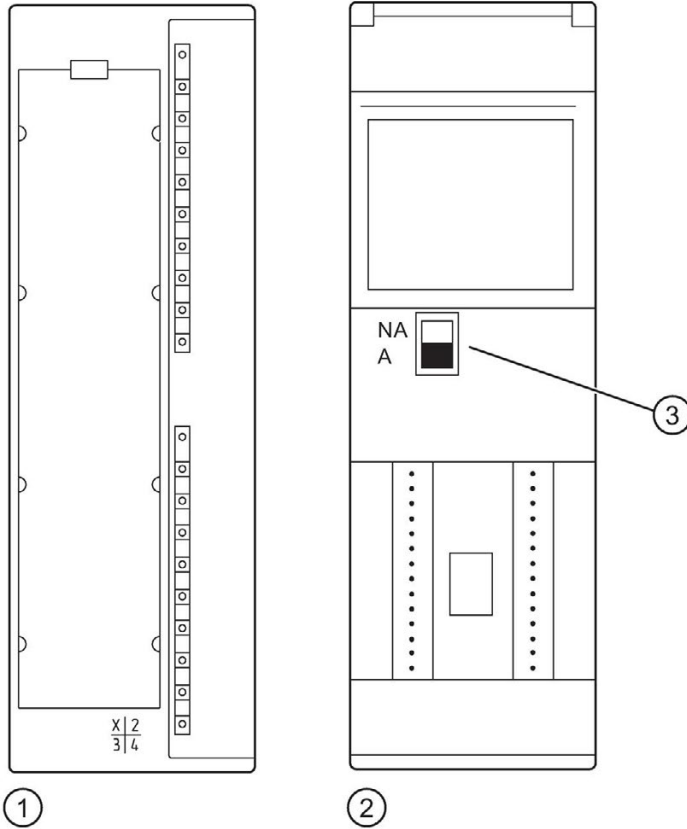
Configure the DM 370 dummy module in *STEP 7* only if you module for a programmed signal module. If the module reserves the slot for an interface module, you can discard module configuration in *STEP 7*.

Modules which occupy 2 slots

Install two dummy modules for modules which occupy 2 slots. You only reserve the address space using the dummy module in slot "x", rather than the dummy module in slot "x + 1". For details of the procedure, see the table below.

The rack can receive up to 8 modules (SM/FM/CP.) When using two dummy modules to reserve a slot for a module of 80 mm width, you may still install 7 further modules (SM/FM/CP) because the dummy module only uses the address space for one module.

Module view

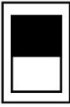
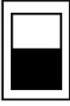


- ① Front view
- ② Rear view
- ③ Address selector switch

Switch settings for addressing

The table below shows how to set the switch on the rear panel of the module, according to the module type.

Table 7-2 Meaning of the switch settings of dummy module DM 370

Switch setting	Meaning	Use
NA A 	The dummy module reserves one slot. The module will not be configured, and does not use any address space.	<ul style="list-style-type: none"> Without active backplane bus: For configurations where a single slot is physically reserved, with electrical connection to the S7-300 bus. With active backplane bus: no
NA A 	The dummy module reserves one slot. The module must be configured and occupies 1 byte in the input address space (system default: not in the process image.)	For configurations where an addressed slot is reserved.

Technical data of DM 370

Technical data	
Dimensions and weight	
Dimensions W x H x D (mm)	40 x 125 x 120
Weight	approx. 180 g
Voltages, currents, electrical potentials	
Current consumption from the backplane bus	approx. 5 mA
Power loss	typ. 0.03 W

7.4 Position decoder module SM 338; POS-INPUT; (6ES7338-4BC01-0AB0)

Order number

6ES7 338-4BC01-0AB0

Properties

Properties of position decoder module SM 338; POS-INPUT:

- 3 inputs for the connection of up to three absolute value encoders (SSI), and 2 digital inputs to freeze encoder values
- Allows direct reaction to encoder values in motion systems
- Processing of encoder values recorded by SM 338 in the user program
- Supports isochronous mode
- Selectable encoder value acquisition mode:
 - cyclic
 - isochronous
- Rated input voltage 24 VDC
- Nonisolated to the CPU
- Fast Mode selectable; with faster transducer action and compressed feedback interface. The Fast Mode is available from firmware version V2.0.0 in SM 338; POS-INPUT and can be selected from STEP 7 V5.3+SP2.

Supported encoder types

Encoder types supported by SM 338; POS-INPUT:

- Absolute value encoder (SSI), frame length 13 bit
- Absolute value encoder (SSI), frame length 21 bit
- Absolute value encoder (SSI), frame length 25 bit

Supported data formats

SM 338; POS-INPUT supports gray code and binary code.

Firmware update

To extend functions and for troubleshooting, it is possible with the help of STEP 7 HW-Config to load firmware updates in the operating system memory of the SM 338; POS-INPUT.

Note

When you boot the firmware update, the old firmware is deleted. If the firmware update is interrupted or terminated for some reason, thereafter the SM 338; POS-INPUT ceases to function properly. Reboot the firmware update and wait until this has completed successfully.

Note

The firmware update is only possible in remote operation if the header assembly (slave circuit) employed supports the system services required for this.

7.4.1 Isochronous mode

Note

For basic information on isochronous mode, refer to the *SIMATIC; isochronous mode* function manual.

Hardware requirements

To operate SM 338 in isochronous mode, you need:

- a CPU which supports isochronous mode
- a DP master which supports the constant bus cycle
- a slave interface (IM 153-x) which supports isochronous mode

Properties

SM 338 operates in non-isochronous or isochronous mode, depending on system parameters.

In isochronous mode, data are exchanged between the DP master and SM 338 in synchronism to the PROFIBUS DP cycle.

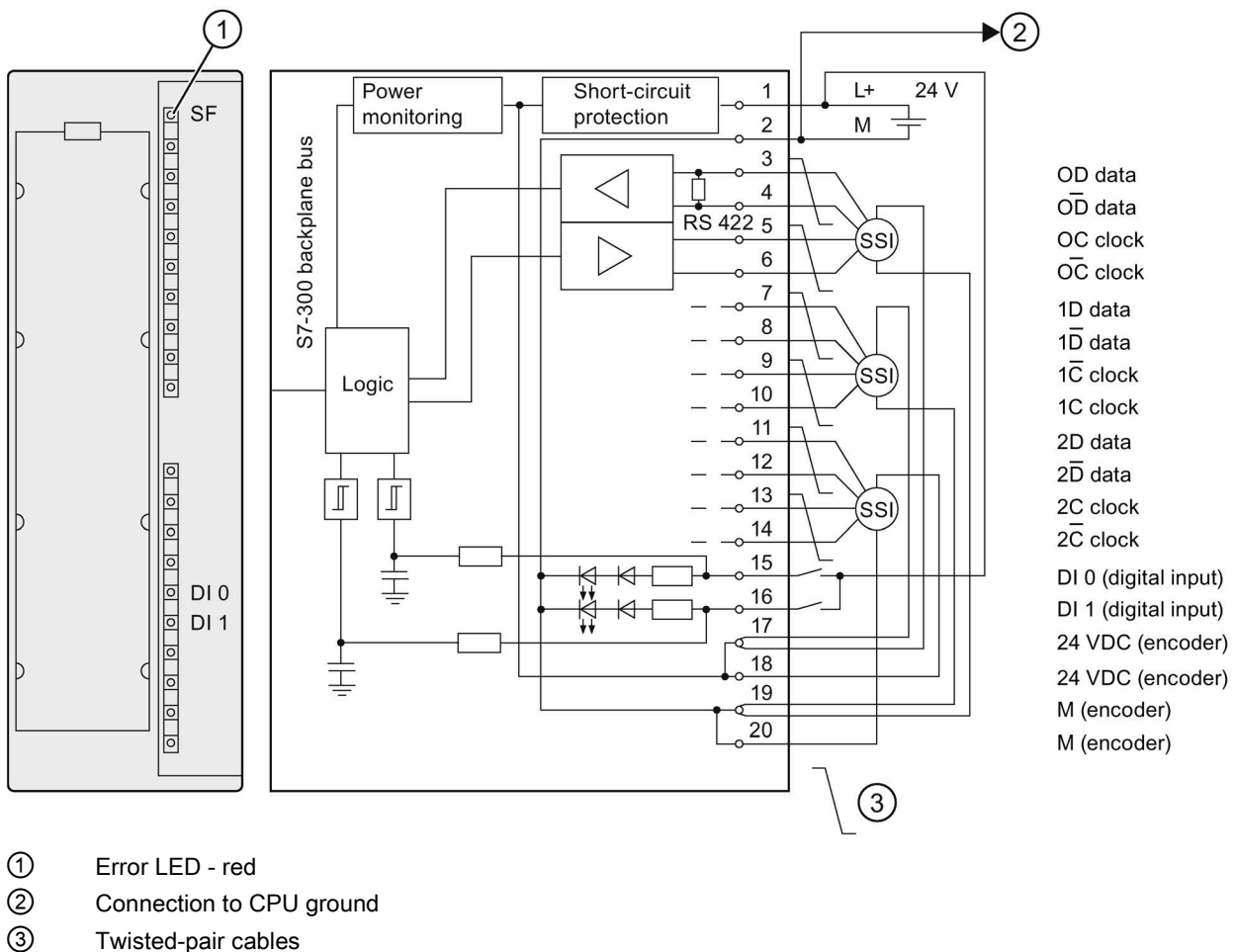
In isochronous mode, all 16 bytes of the feedback interface are consistent.

If synchronism is lost due to disturbance or failure/delay of Global Control (GC), the SM 338 resumes isochronous mode at the next cycle without error reaction.

If synchronism is lost, the feedback interface is not updated.

7.4.2 Wiring and block diagrams

Wiring and block diagrams



Wiring rules

Important rules to observe wiring the module:

- Ground of the encoder supply is connected to CPU ground potential. Thus, establish a low impedance connection between pin 2 of SM 338 (M) and CPU ground.
- Always use shielded twisted-pair cable to wire encoder signals (pins 3 to 14.) Connect both ends of the shielding.
Use the shield connection element to terminate the shielding on SM 338 (order number 6ES7390-5AA00-0AA0).
- Connect an external power supply if the maximum output current (900 mA) of the encoder supply is exceeded.

7.4.3 Functions of SM 338; POS-INPUT; encoder value acquisition

7.4.3.1 Encoder value acquisition

The absolute value encoder transfers its values in frames to the SM 338. The SM 338 initiates the frame transfer.

- In non-isochronous mode, the encoder values are acquired cyclically.
- In isochronous mode, the encoder values are acquired in synchronism with the PROFIBUS DP cycle at each T_i .

Cyclic encoder value acquisition

The SM 338 always initiates a frame transfer at the end of the programmed monoflop time.

Asynchronously to these cyclic frames, the SM 338 processes the acquired encoder values cyclically, based on its refresh rate (refer to the chapter "Technical data of SM 338; POS-INPUT (Page 512)").

Thus, cyclic acquisition returns encoder values of different ages. The difference between the min./max. age represents the jitter (refer to the chapter "Technical data of SM 338; POS-INPUT (Page 512)").

Isochronous encoder value acquisition

Isochronous encoder values acquisition is automatically set when the DP master system operates with active constant bus cycle, and the DP slave is in synchronism with the DP cycle.

SM 338 initiates a frame transfer in each PROFIBUS DP cycle, at the time T_i .

The SM 338 processes the transferred encoder values in synchronism with the PROFIBUS DP cycle.

7.4.3.2 Gray code/binary code converter

When Gray code is set, the Gray code value returned by the absolute value encoder is converted into binary code. When binary code is set, the values returned by the encoder remain unchanged.

Note

When you set Gray code, the SM 338 always converts the entire encoder value (13, 21, 25 bits). As a result, any leading special bits will influence the encoder value, and the appended bits may be corrupted.

7.4.3.3 Transferred encoder value and scaling

The transferred encoder value contains the encoder position of the absolute value encoder. In addition to the encoder position, the encoder transfers additional bits located before and after the encoder position, depending on the encoder used.

The SM 338 determines the encoder position based on the following settings:

- Scaling, places (0..12), or
- scaling, steps / revolution

Scaling, places

Scaling determines the position of the encoder value at the feedback interface.

- "Places" = 1, 2....12 indicates that appended irrelevant bits in the encoder value are shifted out, and the encoder value is right-aligned in the address area (see the example below.)
- "Places" = 0 determines that appended bits are retained and available for evaluation. This may be useful when the absolute value encoder used transfers information in the appended bits (see manufacturer specifications) which you want to evaluate. Refer also to chapter "Gray code/binary code converter (Page 502)".

Steps per revolution parameter

Up to 13 bits are available for the steps per revolution parameter. The resultant number of steps per revolution is displayed automatically according to the "Places" setting.

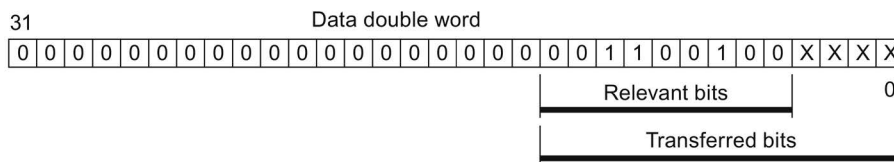
Example of encoder value scaling

You are using a single-turn encoder with
 2^9 steps = 512 steps per revolution (resolution/360°.)

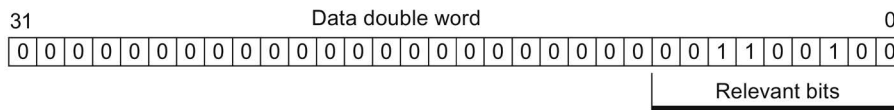
Your configuration in *STEP 7*:

- Absolute encoder: 13 bits
- Scaling: 4 places
- Steps per revolution: 512

Prior to normalizing: cyclically measured encoder value 100



After normalizing: Encoder value 100



Result: bits 0 to 3 (4 digits, marked with "x") were omitted.

7.4.3.4 Freeze function

The freeze function "freezes" the actual encoder values of SM 338. The freeze function is coupled to the digital inputs DI 0 and DI 1 of SM 338.

The freeze function is triggered by a signal transition (positive edge) a DI 0 or DI 1. Bit 31 = 1 (output address) identifies a frozen encoder value. You can freeze one, two or three encoder values using one digital input.

Enable the freeze function by setting the corresponding parameters in *STEP 7*.

To allow their event-triggered evaluation, the encoder values are retained until the freeze function is terminated.

Terminating the freeze function

The freeze function must be terminated separately at each encoder input. You acknowledge the function in the user program by using STEP 7 operation T PAB to set bit 0, 1 or 2 to "xyz" according to the channel (Program example: refer to chapter "AUTOHOTSPOT").

The acknowledgement resets bit 31 of the corresponding encoder value, and initiates a refresh of the encoder values. You can freeze the encoder values again after you cleared the ACK bit at the output address of the module.

In isochronous mode, the acknowledgement is processed at the time T_0 . From this point on, you can freeze the encoder values again by setting the digital inputs.

Note

The Freeze function is acknowledged automatically when you assign new parameters with different arguments to the relevant channel (refer to chapter "AUTOHOTSPOT").

If the parameter are identical the Freeze function remains unaffected.

7.4.4 Parametrization SM 338 POS-INPUT

You parameterize the SM 338; POS-INPUT in *STEP 7*. Always parameterize the module while the CPU is in STOP mode.

After you completed the parameter assignment, download the parameters from the PG to the CPU. At its next STOP → RUN transition, the CPU transfers the parameters to the SM 338.

New parameters can not be assigned by the user program.

Parameters of SM 338; POS-INPUT

The table below provides an overview of configurable parameters and defaults for the SM 338.

The defaults apply if you have not set any parameters in *STEP 7* (default setting bold).

Table 7- 3 Parameters of SM 338; POS-INPUT

Parameters	Range of values	Note
Enable • Fast-Mode	yes / no	Enable parameter. Applies to all 3 channels.
Enable • Diagnostic interrupt	yes / no	Enable parameter. Applies to all 3 channels.
Absolute value encoder (SSI) ¹⁾	none; 13 bits ; 21 bits; 25 bits	none: The encoder input is switched off.
Code type ¹⁾	Gray ; Binary	Code returned by the encoder.
Baud rate ^{1,3)}	125 kHz ; 250 kHz; 500 kHz; 1 MHz	Data transfer rate of the SSI position detection. Observe the relationship between cable lengths and the transmission rate (refer to chapter "Technical data of SM 338; POS-INPUT (Page 512)")

Parameters	Range of values	Note
Monoflop time ^{1),2),3)}	16 µs; 32 µs; 48 µs; 64 µs	The monoflop time represents the minimum interval between two SSI frames. The configured monoflop time must be greater than the monoflop time of the absolute value encoder.
Scaling <ul style="list-style-type: none"> • Places • Steps per revolution ⁴ 	0 to 12 2 to 8192	Scaling right-aligns the encoder value in the address space; irrelevant places are discarded.
Enabling the Freeze function	off ; 0; 1	Definition of the digital input that initiates freezing of the encoder value at the positive edge.

¹ Refer to the technical specifications of the absolute value encoder

² The monoflop time represents the interval between two SSI frames. The configured monoflop time must be greater than the monoflop time of the absolute value encoder (see the technical data of the manufacturer). The time $2 \times (1 / \text{transmission rate})$ is added to the value set in HW Config. A transmission rate of 125 kHz and configured monoflop time of 16 µs sets an effective monoflop time of 32 µs.

³ Restriction of the monoflop time of the absolute value encoder:
 $(1 / \text{transmission rate}) < \text{monoflop time of the absolute value encoder} < 64 \mu\text{s} + 2 \times (1 / \text{transmission rate})$

⁴ to powers of two

Note

Please note that in asynchronous mode, the transmission rate and monoflop time affect the accuracy and update quality of the encoder values. In isochronous mode, the transmission rate and monoflop time have an influence on the accuracy of the freeze function.

7.4.5 Addressing SM 338 POS-INPUT

Data areas for encoder values

The SM 338 inputs and outputs are addressed beginning at the module start address. The input and output address is determined in your configuration of SM 338 in *STEP 7*.

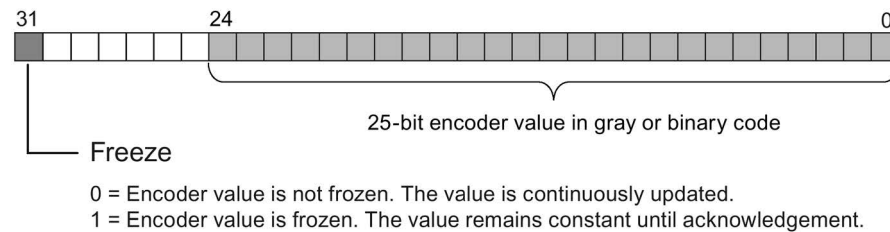
Input addresses

Table 7- 4 SM 338; POS-INPUT: Input addresses

Encoder input	Input address (derived from configuration) + address offset
0	"Module start address"
1	"Module start address" + 4 byte address offset
2	"Module start address" +8 byte address offset

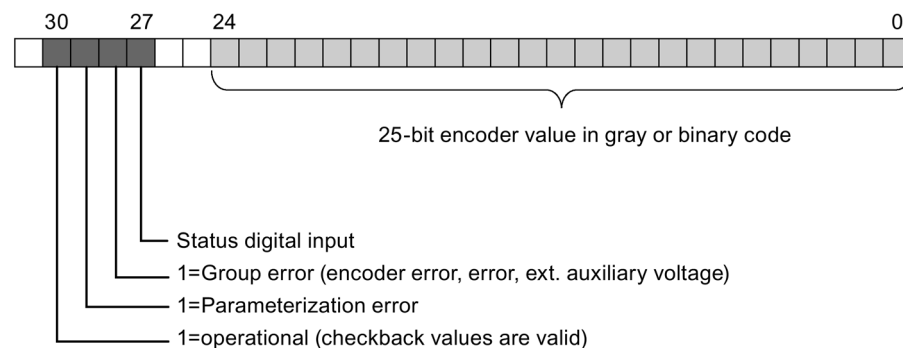
Structure of double data word in Standard Mode

Double data word structure of the encoder inputs:



Structure of double data word in Fast Mode

Double data word structure of the encoder inputs:

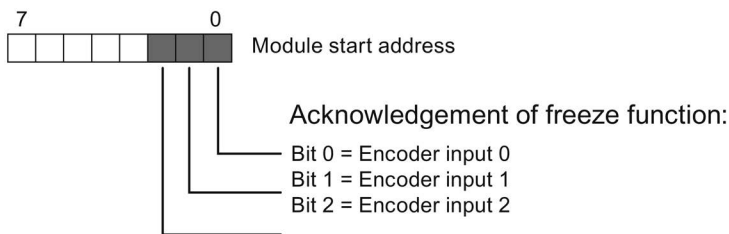


In the double data word from channel 0, the status of digital input I0 is reported to bit 27 (digital input status) and the double data word from channel 1 is reported to digital input I1.

In the double data word from channel 2, the bit is always = 0.

Output address in Standard Mode

no output data are supported in Fast Mode.



Reading data areas

You can read the data areas in your user program using the *STEP 7* operation L PED "xyz."

Example of access to encoder values and use of the freeze function

You want to read and evaluate the values at the encoder inputs. The module start address is 256.

STL			Explanation
L	PED	256	// Read encoder value in the address area for encoder input 0
T	MD	100	// Save encoder value to memory double word
A	M	100.7	// Freeze state for subsequent acknowledgement
=	M	99.0	// Determine and save
L	PED	230	// Read encoder value in the address area for encoder input 1
T	MD	104	// Save encoder value to memory double word
A	M	104.7	// Freeze state for subsequent acknowledgement
=	M	99.1	// Determine and save
L	PED	264	// Read encoder value in the address area for encoder input 2
T	MD	108	// Save encoder value to memory double word
A	M	108.7	// Freeze state for subsequent acknowledgement
=	M	99.2	// determine and save
L	MB	99	// Load freeze state and
T	POB	256	// acknowledge (SM 338: output address 256)

You can then process the encoder values from the bit memory address areas MD 100, MD 104 and MD 108. The encoder value is set in bits 0 to 30 of the memory double word.

7.4.6 Diagnostics of SM 338; POS-INPUT

Introduction

The SM 338 provides diagnostics messages, i.e. it always provides all diagnostics messages without user intervention.

Reactions to a diagnostic message in *STEP 7*

Actions initiated by diagnostic messages:

- The diagnostic message is entered in the diagnosis of the module and forwarded to the CPU.
- The SF LED on the module is lit.
- If you have set "Enable Diagnostic Interrupt" in *STEP 7*, the system triggers a diagnostic interrupt and calls OB 82.

Reading diagnostic messages

You can read detailed diagnostic messages using SFCs in the user program (refer to section Diagnostics data of SM 338; POS-INPUT (Page 596)).

You can view the cause of the error in the module diagnostics data in *STEP 7* (refer to the *STEP 7* Online Help.)

Diagnostic message using the SF LED

The SM 338 indicates errors at its SF LED (group error LED.) The SF LED lights up when the SM 338 generates a diagnostic message. It goes dark after all error states are cleared.

The SF LED also lights up to indicate external errors (short-circuit at the encoder supply), regardless of the CPU operating state (at POWER ON.)

The SF LED lights up temporarily at startup, during the self test of SM 338.

Diagnostic messages of SM338; POS-INPUT

The table below provides an overview of the diagnostic messages of SM 338; POS-INPUT.

Table 7- 5 Diagnostic messages of SM 338; POS INPUT

Diagnostic message	LED	Scope of diagnostics
Module error	SF	Module
Internal error	SF	Module
External error	SF	Module
Channel error	SF	Module
External auxiliary voltage missing	SF	Module
Module not programmed	SF	Module
Incorrect parameters	SF	Module
Channel information available	SF	Module
Watchdog time-out	SF	Module
Channel error	SF	Channel (encoder input)
Configuration / programming error	SF	Channel (encoder input)
External channel error (encoder error)	SF	Channel (encoder input)

Causes of error and troubleshooting

Table 7- 6 Diagnostic messages of SM 338, causes of error and troubleshooting

Diagnostic message	Possible cause of error	To correct or avoid error
Module error	Any, the module has detected an error.	
Internal error	Module has detected an error within the automation system.	
External error	Module has detected an error outside of the automation system.	
Channel error	Indicates that only specific channels are faulty.	
External auxiliary voltage missing	Supply voltage L+ of the module is missing	Feed supply L+
Module not programmed	Module requires information whether it should operate with default system parameters or user parameters.	Message present after power on, until the CPU has completed the transfer of parameters; configure the module as required.
Incorrect parameters	One parameter, or the combination of parameters, is not plausible	Program the module
Channel information available	Channel error; module can provide additional channel information.	
Watchdog time-out	Infrequent high electromagnetic interference	Eliminate interference
Channel error	Any, the module has detected an error at the encoder input.	
Configuration / programming error	Illegal parameter transferred to module	Program the module
External channel error (encoder error)	Wire-break at encoder cable, encoder cable not connected, or encoder defective.	Check connected encoder

7.4.7 SM 338; POS INPUT - Interrupts

Introduction

This chapter describes the interrupt reaction of SM 338; POS-INPUT. The SM 338 can trigger diagnostic interrupts.

For detailed information on the OBs and SFCs mentioned below, refer to the *STEP 7* Online Help.

Enabling interrupts

There is no default interrupt setting, i.e. interrupts are disabled if not set accordingly. You configure the interrupt enable parameter in *STEP 7* (refer to chapter "Parametrization SM 338 POS-INPUT (Page 505)").

Diagnostic interrupt

If you have enabled diagnostic interrupts, the incoming error events (initial occurrence of the error) and outgoing error events (message after troubleshooting) are reported by means of interrupts.

The CPU interrupts user program execution, and executes diagnostic interrupt OB82.

You can call SFC 51 or 59 in OB82 in the user program to view detailed diagnostic data output by the module.

Diagnostics data remain consistent until the program exits OB 82. The module acknowledges the diagnostic interrupt when the program exits OB82.

7.4.8 Technical data of SM 338; POS-INPUT

Technical data of SM 338; POS-INPUT

Technical data			
Dimensions and weight			
Dimensions W x H x D (mm)	40 x 125 x 120		
Weight	Approx. 235 g		
Voltages, currents, electrical potentials			
Rated load voltage L+	24 VDC		
• Range	20.4 ... 28.8 V		
• Reverse polarity protection	No		
Electrical isolation	No, only to shield		
Maximum potential difference	1 VDC		
• Between the input (M terminal) and CPU grounding bus-bar			
Encoder supply	L+ -0.8 V		
• Output voltage	Max. 900 mA, short circuit-proof		
• Output current			
Current consumption	Max. 160 mA		
• from the backplane bus	max. 10 mA		
• from load voltage L+ (no load)			
Power loss of the module	Typ. 3 W		
Encoder inputs POS-INPUT 0 to 2			
Position detection	Absolute		
Difference signals for SSI data and SSI clock	To RS422 standard		
Data transfer rate and cable (twisted-pair and shielded) length of absolute value encoders	<ul style="list-style-type: none"> • 125 kHz max. 320 m • 250 kHz max. 160 m • 500 kHz max. 60 m • 1 MHz max. 20 m 		
SSI frame transfer rate	13 bits	21 bits	25 bits
• 125 kHz	112 µs	176 µs	208 µs
• 250 kHz	56 µs	88 µs	104 µs
• 500 kHz	28 µs	44 µs	52 µs
• 1 MHz	14 µs	22 µs	26 µs
Monoflop time ²	16 µs, 32 µs, 48 µs, 64 µs		

7.4 Position decoder module SM 338; POS-INPUT; (6ES7338-4BC01-0AB0)

Technical data	
Digital inputs DI 0, DI 1	
Electrical isolation	No, only to shield
Input voltage	0 signal -3 V ... 5 V 1 signal 11 V ... 30.2 V
Input current	0 signal ≤ 2 mA (standby current) 1 signal 9 mA (typ.)
Input delay	0 > 1: max. 300 μ s 1 > 0: Max. 300 μ s
Maximum repetition rate	1 kHz
Connection of a two-wire BEROS, type 2	Supported
Shielded cable length	600 m
Unshielded cable length	32 m
Status, interrupts, diagnostics	
Interrupts • Diagnostics interrupt	programmable
Status display for digital inputs Group error	LED (green) LED (red)
Inaccuracy of the encoder value	
Free-running transducer capture (Standard Mode)	
• maximum age ¹ • minimum age ¹ • Jitter	(2 × frame transfer rate) + monoflop time + 580 μ s Frame transfer rate + 130 μ s Frame transfer rate + monoflop time + 450 μ s
Refresh rate	Frame evaluation at intervals of 450 μ s
Free-running transducer capture (Fast Mode)	
• maximum age ¹ • minimum age ¹ • Jitter	(2 × frame transfer rate) + monoflop time + 400 μ s Frame transfer rate + 100 μ s Frame transfer rate + monoflop time + 360 μ s
Refresh rate	Frame evaluation at intervals of 360 μ s
Isochronous encoder value acquisition	
• Age	Encoder value at time T_i of the current PROFIBUS DP cycle
Inaccuracy of the frozen encoder value (Freeze)	
Cyclic encoder value acquisition (Standard Mode)	
• maximum age ¹ • minimum age ¹ • Jitter	(2 × frame transfer rate) + monoflop time + 580 μ s Frame transfer rate + 130 μ s Frame transfer rate + monoflop time + 450 μ s
Isochronous encoder value acquisition	
• Jitter	Max. (frame transfer rate n + programmed Monoflop time n) =0, 1, 2, (channel)

Technical data		
Isochronous times for the module		
In Standard Mode	TCI	850 µs
	TCO	620 µs
	ToiMin	90 µs
	TDPMIn	1620 µs
In Fast Mode	TCI	700 µs
	TCO	0 µs
	ToiMin	0 µs
	TDPMIn	900 µs

- 1 Age of the encoder values determined by the transfer process and the processing
- 2 Restriction of the monoflop time of the absolute value encoder:
 $(1 / \text{transmission rate}) < \text{monoflop of the absolute value encoder} < 64 \mu\text{s} + 2 \times (1 / \text{transmission rate})$

Interface modules

Interface modules

This chapter described the technical data and properties of the S7-300 interface modules.

8.1 Module overview

Introduction

The table below summarizes the essential features of the interface modules described in this chapter. This overview supports you in selecting a module to suit your requirements.

Table 8- 1 Interface modules: Overview of properties

Properties	Interface module IM 360	Interface module IM 361	Interface module IM 365
Suitable for installation in S7-300 racks	<ul style="list-style-type: none"> 0 	<ul style="list-style-type: none"> 1 to 3 	<ul style="list-style-type: none"> 0 and 1
Data transfer	<ul style="list-style-type: none"> from IM 360 to IM 361 via connecting cable 386 	<ul style="list-style-type: none"> from IM 360 to IM 361, or from IM 361 to IM 361, via connecting cable 386 	<ul style="list-style-type: none"> from IM 365 to IM 365 via connecting cable 386
Distance between...	<ul style="list-style-type: none"> max. 10 m 	<ul style="list-style-type: none"> max. 10 m 	<ul style="list-style-type: none"> 1 m, permanently connected
Special features	---	---	<ul style="list-style-type: none"> Preassembled module pair Rack 1 supports only signal modules IM 365 does not route the communication bus to rack 1

8.2 Interface module IM 360; (6ES7360-3AA01-0AA0)

Order number

6ES7360-3AA01-0AA0

Properties

Special features of interface module IM 360:

- Interface for rack 0 of the S7-300
- Data transfer from IM 360 to IM 361 via connecting cable 368
- Maximum distance between IM 360 and IM 361 is 10 m

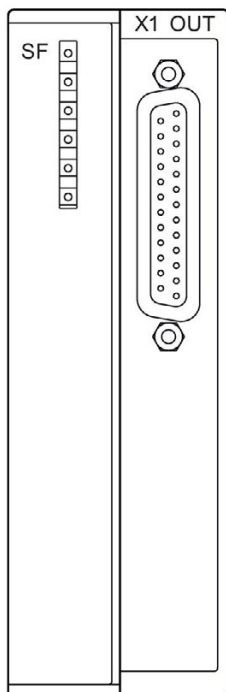
Status and error LEDs

Interface module IM 360 is equipped with the following status and error LEDs.

Display element	Meaning	Explanations
SF	Group error	The LED lights up if <ul style="list-style-type: none">• the connecting cable is missing.• IM 361 is switched off.

Front view

The figure below shows the front view of interface module IM 360



Technical data

The overview below shows the technical data of interface module IM 360.

Technical data	
Dimensions and weight	
Dimensions W x H x D (mm)	40 x 125 x 120
Weight	approx. 250 g
Module-specific data	
Cable length	
<ul style="list-style-type: none"> Maximum length to next IM 	10 m
Current consumption	
<ul style="list-style-type: none"> from the backplane bus 	350 mA
Power loss	typ. 2 W
Status and error LEDs	yes

8.3 Interface module IM 361; (6ES7361-3CA01-0AA0)

Order number

6ES7361-3CA01-0AA0

Properties

Special features of interface module IM 361:

- 24 VDC power supply
- Interface for racks 1 to 3 of the S7-300
- Current output via the S7-300 backplane bus: max. 0.8 A
- Data transfer from IM 360 to IM 361, or from IM 361 to IM 361 via connecting cable 368
- Maximum distance between IM 360 and IM 361 is 10 m
- Maximum distance between IM 361 and IM 361 is 10 m

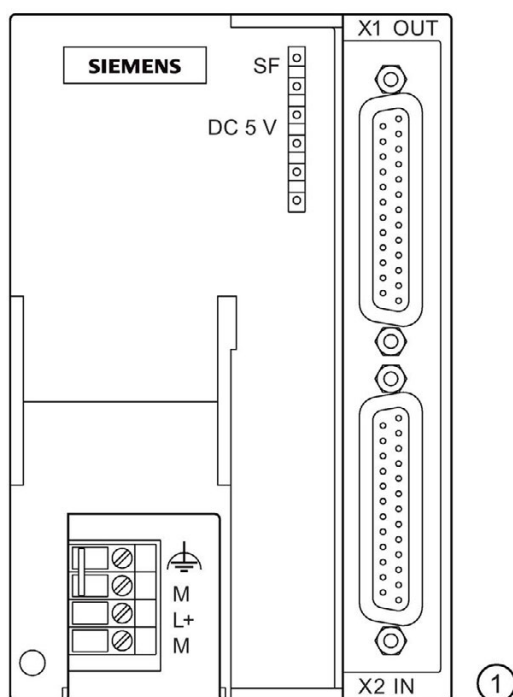
Status and error LEDs

Interface module IM 361 is equipped with the following status and error LEDs.

Display element	Meaning	Explanations
SF	Group error	The LED lights up if <ul style="list-style-type: none">• the connecting cable is missing• the IM 361 connected in series is switched off• the CPU is in POWER OFF state
5 VDC	5 VDC supply for the S7-300 backplane bus	-

Front view

The figure below shows the front view of interface module IM 361



① Front view

Technical data

The overview below shows the technical data of interface module IM 361.

Technical data	
Dimensions and weight	
Dimensions W x H x D (mm)	80 x 125 x 120
Weight	505 g
Module-specific data	
Cable length	
Maximum length to next IM	10 m
Current consumption from 24 VDC	0.5 A
Power loss	typ. 5 W
Current sinking at backplane bus	0.8 A
Status and error LEDs	yes

See also

Spare parts and accessories for S7-300 modules (Page 616)

8.4 Interface module IM 365; (6ES7365-0BA01-0AA0)

Order number: "Standard module"

6ES7365-0BA01-0AA0

Order number: "SIPLUS S7-300 module"

6AG1365-0BA01-2AA0

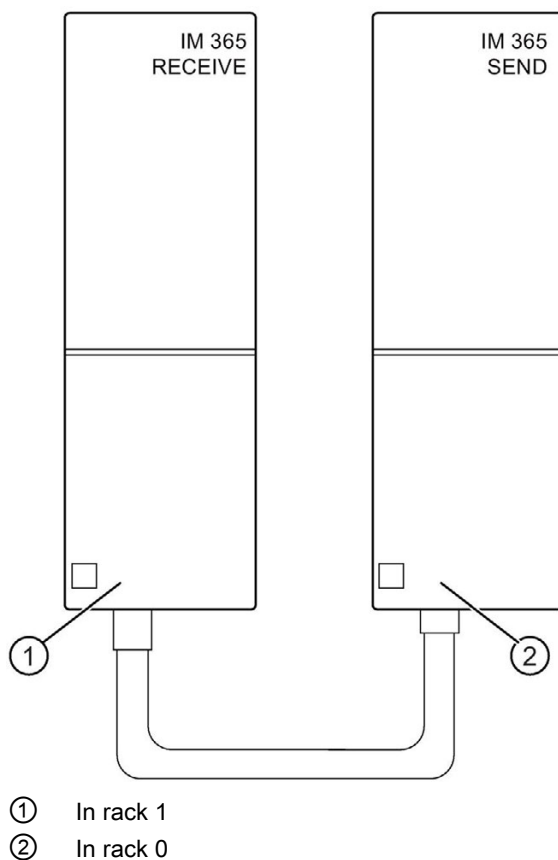
Properties

Special features of interface module IM 365:

- Preassembled pair of modules for rack 0 and rack 1
- Total power supply of 1.2 A, of which up to 0.8 A may be used per rack.
- Connecting cable with a length of 1 m already permanently connected
- IM 365 does **not** route the communication bus to rack 1, i.e. you cannot install FMs with communication bus function in rack 1.

Front view

The figure below shows the front view of interface module IM 365



Technical specifications

The overview below shows the technical data of interface module IM 365.

Technical data	
Dimensions and weight	
Dimensions W x H x D (mm) per module	40 x 125 x 120
Total weight	580 g
Module-specific data	
Cable length	1 m
Maximum length to next IM	
Current consumption from the backplane bus	100 mA
Power loss	typ. 0.5 W
Current sinking per module	max. 1.2 A 0.8 A
Status and error LEDs	no

Parameter sets of signal modules

A.1 Principles of programming signal modules in the user program

Parameter assignment in the user program

You have programmed the modules in *STEP 7*.

In the user program, you can use a SFC:

- to assign new parameters to the module, and
- transfer the parameters from the CPU to the addressed signal module

Parameters are stored in data records

The signal module parameters are written to data records 0 and 1; for certain analog input modules, these are also written to data record 128.

Editable parameters

You can edit the parameters of data record 1, and then transfer these to the signal module using SFC55. The CPU parameters are not changed by this action!

You cannot modify any parameters of data record 0 in the user program.

SFCs for programming

SFCs available for programming signal modules in the user program:

Table A- 1 SFCs for programming signal modules

SFC no.	Identifier	Application
55	WR_PARM	Transfer the programmable parameters (data record 1 and 28) to the addressed signal module.
56	WR_DPARAM	Transfer the parameters (data record 0, 1 or 128) from the CPU to the addressed signal module.
57	PARAM_MOD	Transfer all parameters (data record 0, 1 and 128) from the CPU to the addressed signal module.

Description of the parameters

The next chapters describe all modifiable parameters of the various module classes. For information on signal module parameters, refer to:

- the *STEP 7* Online Help
- to this Reference Manual

The chapters dealing with the various signal modules also show you the corresponding configurable parameters.

Further references

For detailed information on programming signal modules in the user program and on corresponding SFCs, refer to the *STEP 7* manuals.

A.2 Parameters of digital IO modules

Parameter

The table below lists the parameters you can set for digital input modules.

Note

For details on parameters of programmable digital IO modules, see the chapter dealing with the relevant module.

The comparison illustrates the parameters you can edit:

- in *STEP 7*
- using SFC55 "WR_PARM"
- using SFB53 "WRREC" (for GSD, for example).

Parameters set in *STEP 7* may also be transferred to the module using SFCs 56 and 57, and SFB53 (refer to the *STEP 7* Online Help).

Table A- 2 Parameters of digital IO modules

Parameters	Data record number	Programmable, using ...	
		... SFC55, SFB53	... PG
Input delay	0	no	yes
Diagnostics of missing encoder supply		no	yes
Wire-break diagnostics		no	yes
Hardware interrupt enable	1	yes	yes
Diagnostics interrupt enable		yes	yes
Hardware interrupt at positive edge		yes	yes
Hardware interrupt at negative edge		yes	yes

Note

To enable diagnostics interrupts in the user program at data record 1, you first need to enable diagnostics at data record 0 in *STEP 7*.

Structure of data record 1

The figure below shows the structure of data record 1 for the parameters of digital input modules.

You enable a parameter by setting a logical "1" at the corresponding bit.

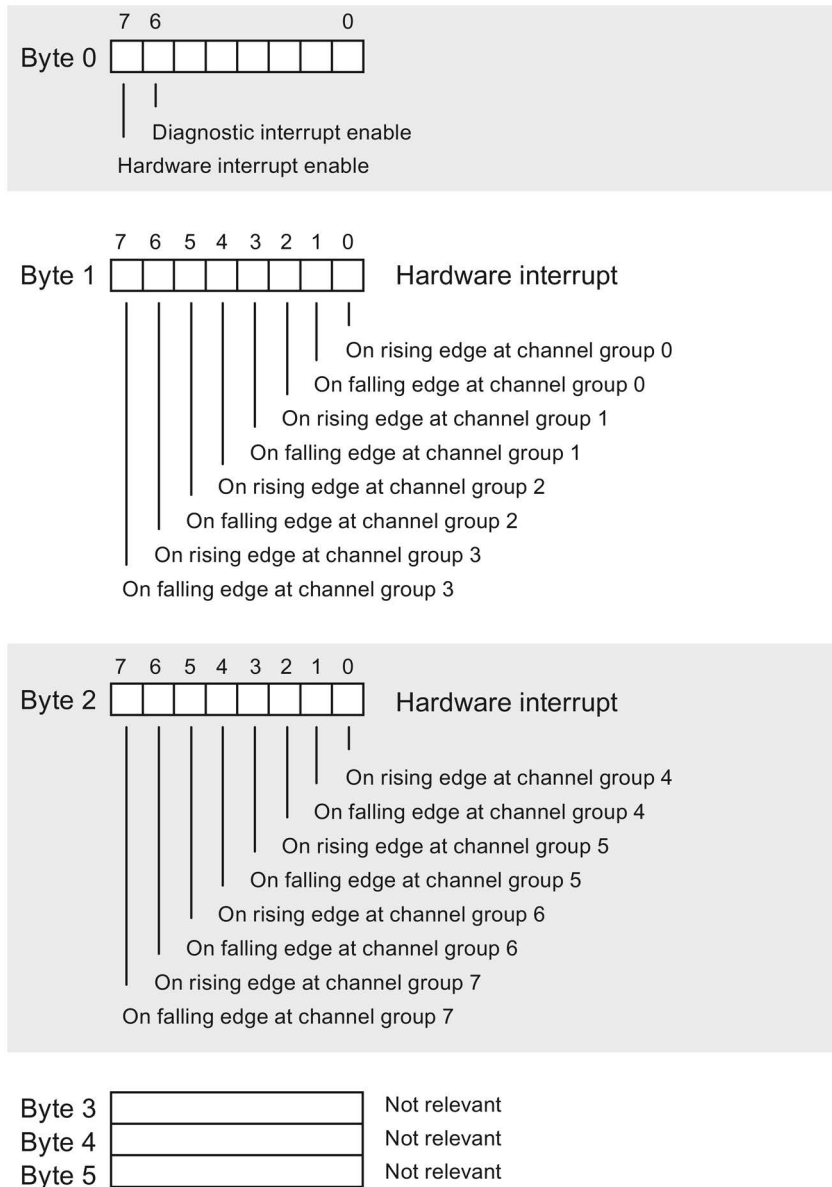


Figure A-1 Data record 1 for parameters of digital input modules

See also

Diagnostics of digital modules (Page 59)

A.3 Parameters of the digital input module SM 321; DI 16 x DC 24/125 V

Parameters

The table below lists the parameters you can set for digital input modules.

Note

For details on parameters of programmable digital IO modules, see the chapter dealing with the relevant module.

The comparison illustrates the parameters you can edit:

- in *STEP 7*
- using SFC55 "WR_PARM"
- using SFB53 "WRREC" (for GSD, for example).

Parameters set in *STEP 7* may also be transferred to the module using SFCs 56 and 57, and SFB53 (refer to the *STEP 7* Online Help).

Table A- 3 Parameters of the digital input module SM 321; DI 16 x DC 24/125 V

Parameters	Data record number	Programmable, using ...	
		... SFC55, SFB53	... PG
Input delay	0	No	Yes
Wire-break diagnostics		No	Yes
Hardware interrupt enable	1	Yes	Yes
Diagnostic interrupt enable		Yes	Yes
Hardware interrupt at positive edge		Yes	Yes
Hardware interrupt at negative edge		Yes	Yes

Note

To enable diagnostic interrupts in the user program at data record 1, you first need to enable diagnostics at data record 0 in *STEP 7*.

Structure of data record 1

The figure below shows the structure of data record 1 for the parameters of digital input modules.

You enable a parameter by setting a logical "1" at the corresponding bit.

A.3 Parameters of the digital input module SM 321; DI 16 x DC 24/125 V

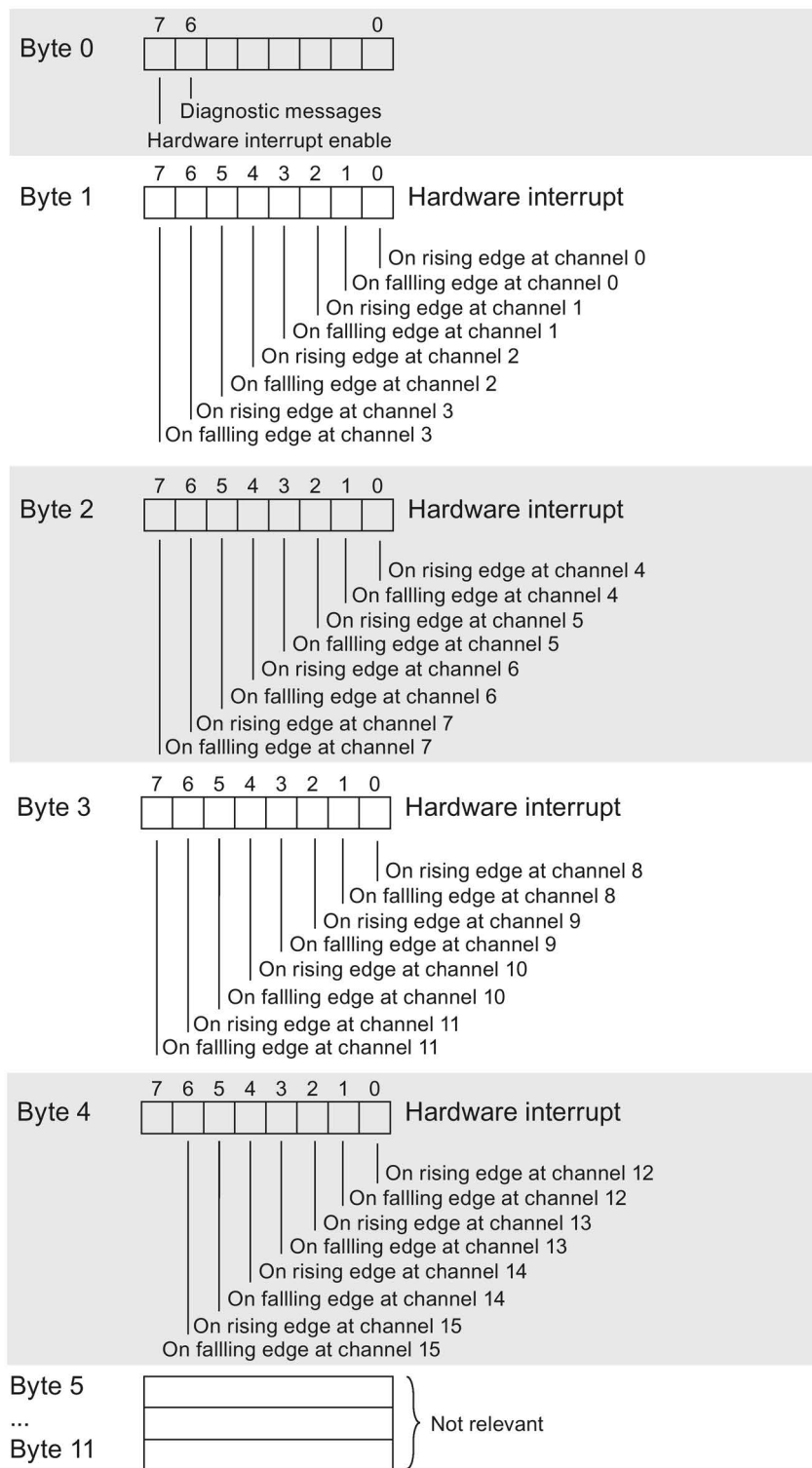


Figure A-2 Data record 1 for parameters of digital input modules

A.4 Parameters of digital output modules

Parameter

The table below contains all parameters you can set for digital output modules.

Note

For details on the parameters of programmable digital IO modules, see the chapter dealing with the relevant module.

The comparison illustrates the parameters you can edit:

- in *STEP 7*
- using SFC55 "WR_PARM"
- using SFB53 "WRREC" (for GSD, for example).

Parameters set in *STEP 7* may also be transferred to the module using SFCs 56 and 57, and SFB 53 (refer to the *STEP 7* Online Help).

Table A- 4 Parameters of digital output modules

Parameter	Data record number	Programmable, using ...	
		... SFC55, SFB53	... PG
Diagnostics of missing load voltage L+	0	no	yes
Wire-break diagnostics		No	Yes
Diagnostics of short-circuit to M		No	Yes
Diagnosis of short-circuit to L+		No	Yes
Diagnostics interrupt enable	1	Yes	Yes
Reaction to CPU STOP		Yes	Yes
Set substitute value "1"		Yes	Yes

Note

To enable diagnostic interrupts in the user program at data record 1, you first need to enable diagnostics at data record 0 in *STEP 7*.

Structure of data record 1

The figure below shows the structure of data record 1 for the parameters of digital output modules.

You enable a parameter by setting a logic "1" at the corresponding bit of byte 0.

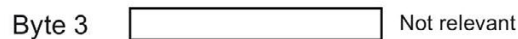
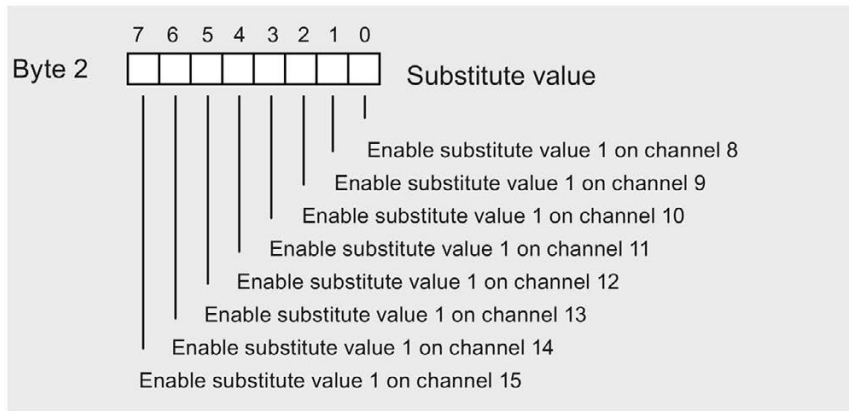
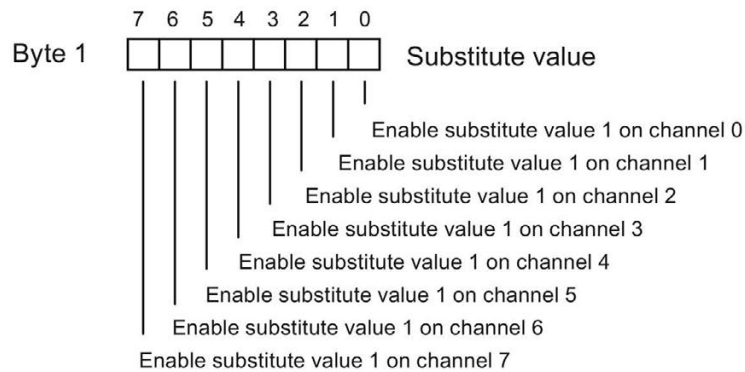
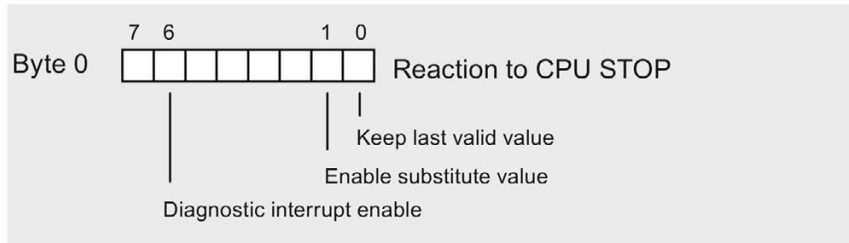


Figure A-3 Data record 1 for parameters of digital output modules

Note

The "hold last valid value" and "set substitute value" parameters should only be enabled at byte 0 as an alternative.

A.5 Settings from the digital output module SM 322; DO 16 x DC 24 V/0.5 A (6ES7322-8BH10-0AB0)

Parameter

The table below contains all parameters you can set for digital output modules.

The comparison illustrates the parameters you can edit:

- in *STEP 7*
- using SFC55 "WR_PARM"
- using SFB53 "WRREC" (for GSD, for example).

Parameters set in *STEP 7* can also be transferred to the module using SFC 56 and SFC 57 (refer to the *STEP 7* Online Help).

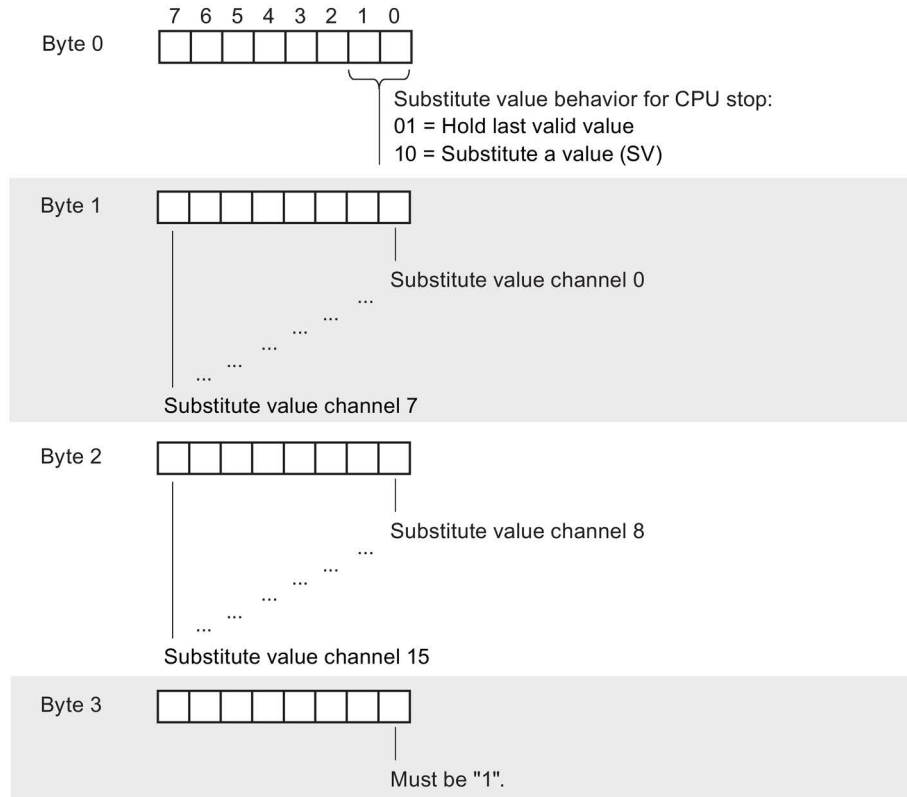
Table A- 5 Digital output module SM 322; 6ES7322-8HB10-0AB0

Parameter	Data record number	Programmable, using ...	
		... SFC55, SFB53	... PG
Diagnostics: Group diagnostics	1	Yes	Yes
Diagnostics: Load voltage L+ missing			
Diagnostics: Discrepancy error			
Diagnostics interrupt enable			
Behavior at CPU/master STOP			
Substitute a value			

Structure of data record 1

The figure below shows the structure of data record 1 for the parameters of digital output modules.

You enable a parameter by setting a logic "1" at the corresponding bit of byte 0.



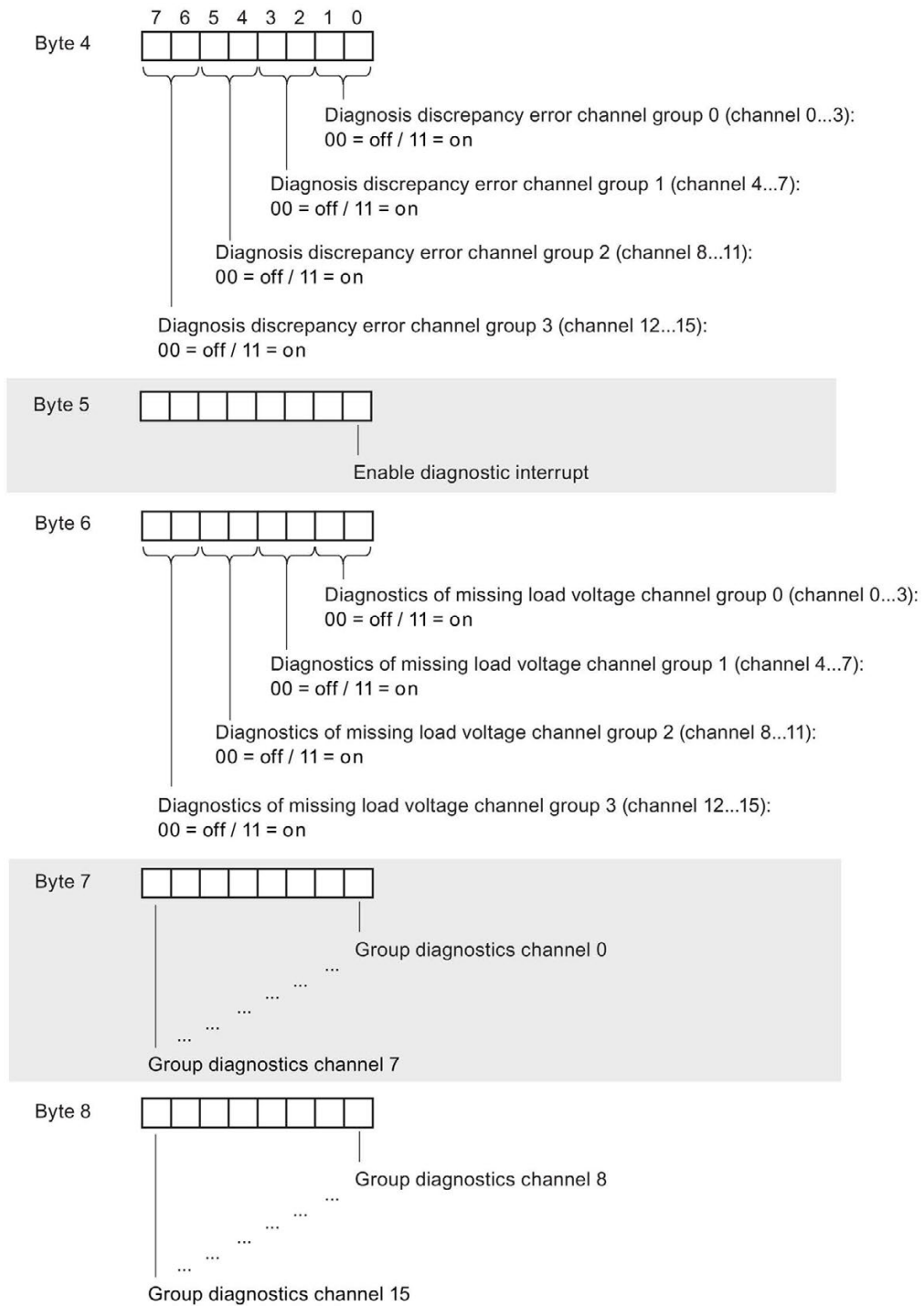


Figure A-4 Structure of data record 1

Note

The "hold last valid value" and "set substitute value" parameters should only be enabled at byte 0 as an alternative.

See also

Parameters of digital output modules (Page 152)

A.6 Parameters of analog input modules

Parameter

The table below lists all parameters you can set for analog input modules.

The comparison illustrates the parameters you can edit:

- in *STEP 7*
- using SFC55 "WR_PARM"

Parameters set in *STEP 7* can also be transferred to the module using SFC56 and SFC57 (refer to the *STEP 7* manuals).

Table A- 6 Parameters of analog input modules

Parameters	Data record number	Programmable, using ...	
		... SFC55	... PG
Diagnostics: Group diagnostics	0	No	Yes
Diagnostics: with wirebreak monitoring		no	yes
Temperature unit		no	yes
Temperature coefficient		no	yes
Smoothing		no	yes
Diagnostic interrupt enable	1	yes	yes
Hardware interrupt when limit exceeded		yes	yes
End of cycle interrupt enable		yes	yes
Interference frequency suppression		yes	yes
Measurement type		yes	yes
Measuring range		yes	yes
High limit		yes	yes
Low limit		yes	yes

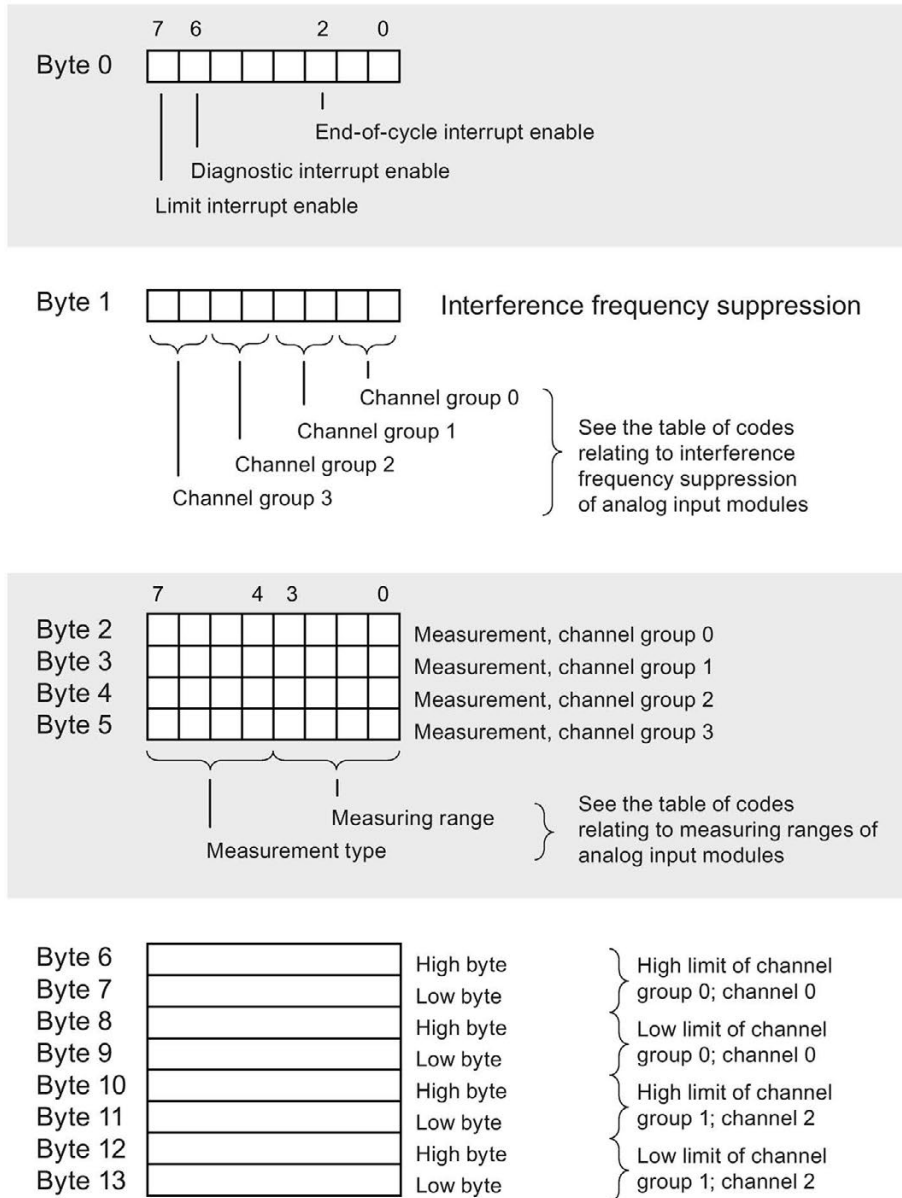
Note

To enable diagnostic interrupts in the user program at data record 1, you first need to enable diagnostics at data record 0 in *STEP 7*.

Structure of data record 1

The figure below shows the structure of data record 1 of the parameters for an analog input module with 8 channels in 4 groups (e.g. AI 8 x 12 bits). The structure of a module whose channels are not grouped together is documented in the relevant module description.

You enable a parameter by setting a logic "1" at the corresponding bit of byte 0.



Note: Just one limit value is set for the first channel of each channel group.

Figure A-5 Data record 1 for the parameters of analog input modules

Note

The representation of limits matches the analog value representation (see chapter 4.)
Observe range limits when setting the limit values.

Interference frequency suppression

The table below contains the coding at byte 1 of data record 1 for the various frequencies (see the previous figure.) Make allowances for the resultant integration time at each channel!

Table A- 7 Interference frequency suppression codes of analog input modules

Interference frequency suppression	Integration time	Code
400 Hz	2.5 ms	2#00
60 Hz	16.7 ms	2#01
50 Hz	20 ms	2#10
10 Hz	100 ms	2#11

Measurement types and measuring ranges

The table below shows all measurement types and measuring ranges of the analog input module, including their codes. Enter these codes at bytes 2 to 5 in data record 1 (refer to the previous figure.)

Note

You may have to reposition a measuring range module of the analog input module to suit the measuring range.

Table A- 8 Measuring range codes of analog input modules

Measurement type	Code	Measuring range	Code
disabled	2#0000	disabled	2#0000
Voltage	2#0001	± 80 mV	2#0001
		± 250 mV	2#0010
		± 500 mV	2#0011
		± 1 V	2#0100
		± 2.5 V	2#0101
		± 5 V	2#0110
		1 V to 5 V	2#0111
		0 V to 10 V	2#1000
		± 10 V	2#1001
		± 25 mV	2#1010
		± 50 mV	2#1011

Measurement type	Code	Measuring range	Code
4-wire transducer	2#0010	±3.2 mA	2#0000
		±10 mA	2#0001
		0 to 20 mA	2#0010
		4 to 20 mA	2#0011
		±20 mA	2#0100
		±5 mA	2#0101
2-wire transducer	2#0011	4 to 20 mA	2#0011
Resistance (4-wire connection)	2#0100	150 Ω	2#0010
		300 Ω	2#0100
		600 Ω	2#0110
		10 k Ω	2#1001
Resistance 4-wire connection; 100 Ω compensation	2#0110	52 Ω to 148 Ω	2#0001
		250 Ω	2#0011
		400 Ω	2#0101
		700 Ω	2#0111
Thermal resistance + linearization 4-wire connection	2#1000	Pt 100 Klima	2#0000
		Ni 100 Klima	2#0001
		Pt 100 Standard range	2#0010
		Pt 200 Standard range	2#0011
		Pt 500 Standard range	2#0100
		Pt 1000 Standard range	2#0101
		Ni 1000 standard range	2#0110
		Pt 200 Klima	2#0111
		Pt 500 Klima	2#1000
		Pt 1000 Klima	2#1001
		Ni 1000 Klima	2#1001
Ni 100 standard range	2#1011		
Thermocouples with internal comparator	2#1010	Type B [PtRh - PtRh]	2#0000
		Type N [NiCrSi-NiSi]	2#0001
Thermocouples with external comparison	2#1011	Type E [NiCr-CuNi]	2#0010
		Type R [PtRh -Pt]	2#0011
Thermocouples + linearization internal comparison	2#1101	Type S [PtRh -Pt]	2#0100
		Type J [Fe - CuNi IEC]	2#0101
Thermocouples + linearization external comparison	2#1110	Type L [Fe-CuNi]	2#0110
		Type T [Cu - CuNi]	2#0111
		Type K [NiCr-Ni]	2#1000
		Type U [Cu -Cu Ni]	2#1001

See also

Analog modules (Page 300)

A.7 Parameters of analog input module SM 331; AI 8 x RTD

Parameters

The table below shows all parameters you can set at analog input module SM 331; AI 8 x RTD.

The comparison illustrates the parameters you can edit:

- in *STEP 7*
- using SFC55 "WR_PARM"

Parameters set in *STEP 7* can also be transferred to the module using SFC56 and SFC57 (refer to the *STEP 7* manuals).

Table A-9 Parameters of SM 331; AI 8 x RTD

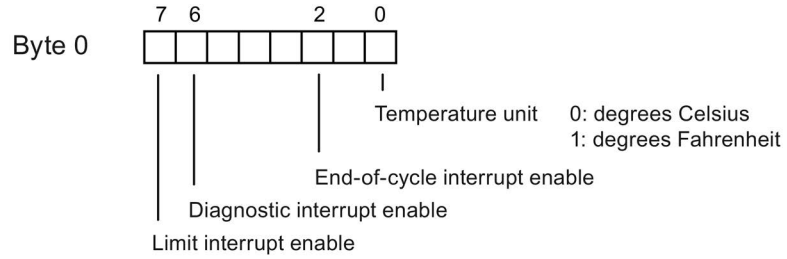
Parameters	Data record number	Programmable, using ...	
		... SFC55	... PG
Diagnostics: Group diagnostics	0	no	yes
Diagnostics: with wirebreak monitoring		no	yes
Diagnostic interrupt enable	1	yes	yes
Hardware interrupt when limit exceeded		yes	yes
End of cycle interrupt enable		yes	yes
Temperature unit		yes	yes
Measurement type	128	yes	yes
Measuring range		yes	yes
Operating mode		yes	yes
Temperature coefficient		yes	yes
Interference frequency suppression		yes	yes
Smoothing		yes	yes
High limit		yes	yes
Low limit		yes	yes

Note

To enable diagnostic interrupts in the user program at data record 1, you first need to enable diagnostics at data record 0 in *STEP 7*.

Structure of data record 1

The diagram below shows the structure of data record 1 of SM 331; AI 8 x RTD. You enable a parameter by setting a logical "1" at the corresponding bit.



Bytes 1 to 13 are not occupied

Figure A-6 Data record 1 for the parameters of SM 331; AI 8 RTD

Structure of data record 128

The diagram below shows the structure of data record 128 of SM 331; AI 8 x RTD.

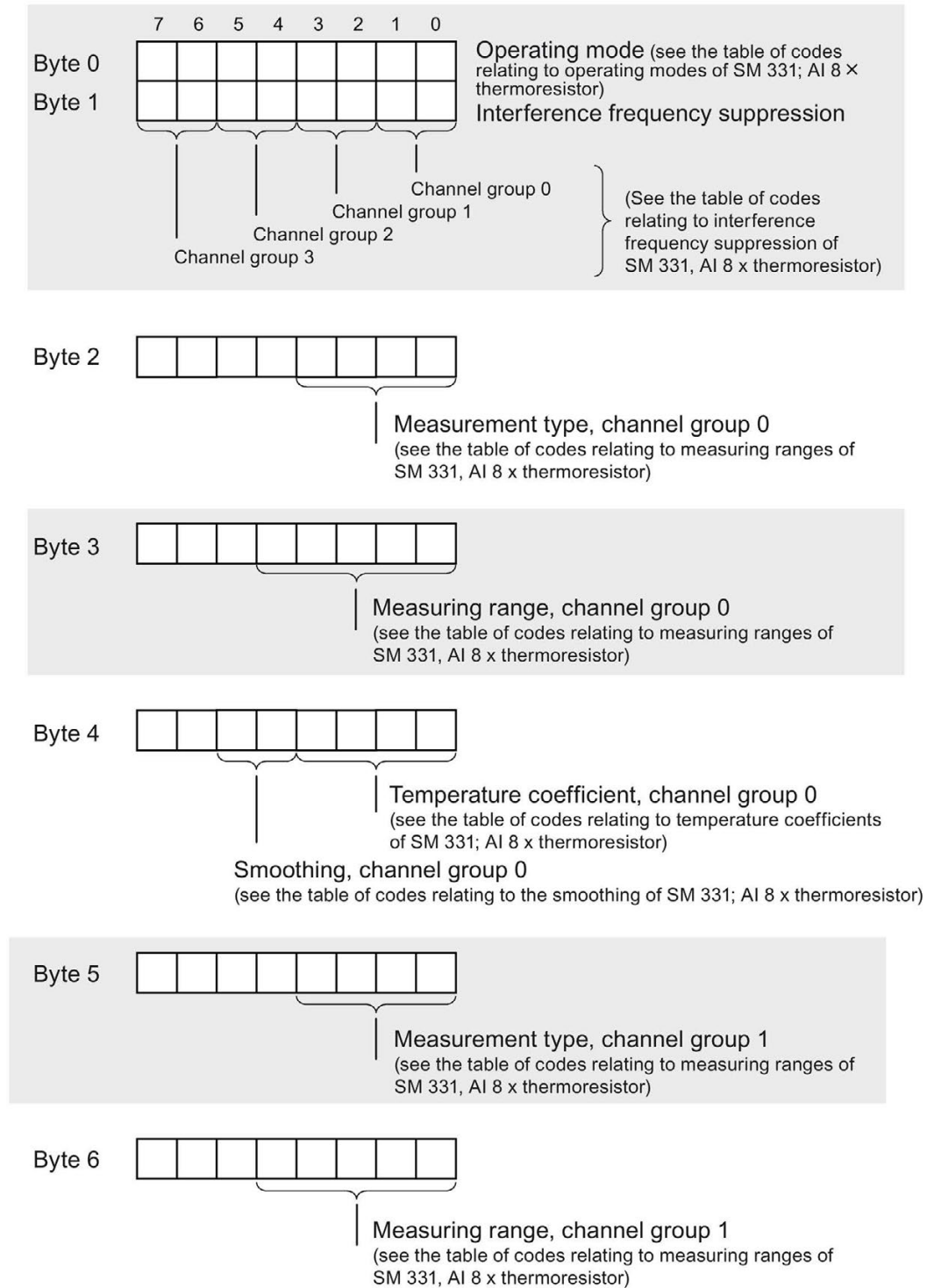


Figure A-7 Data record 128 of SM 331; AI 8 x RTD

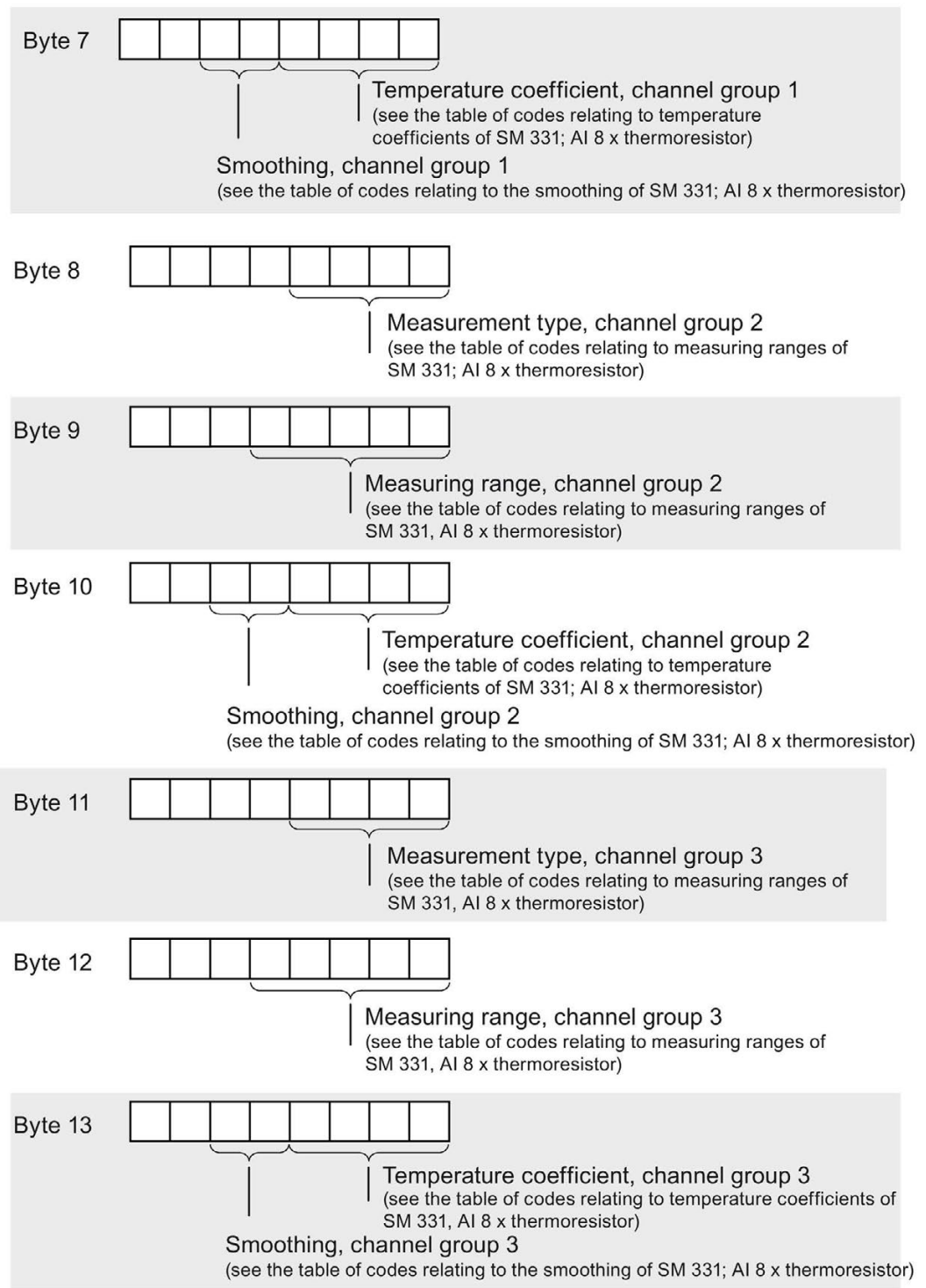


Figure A-8 Data record 128 of SM 331; AI 8 x RTD (continued)

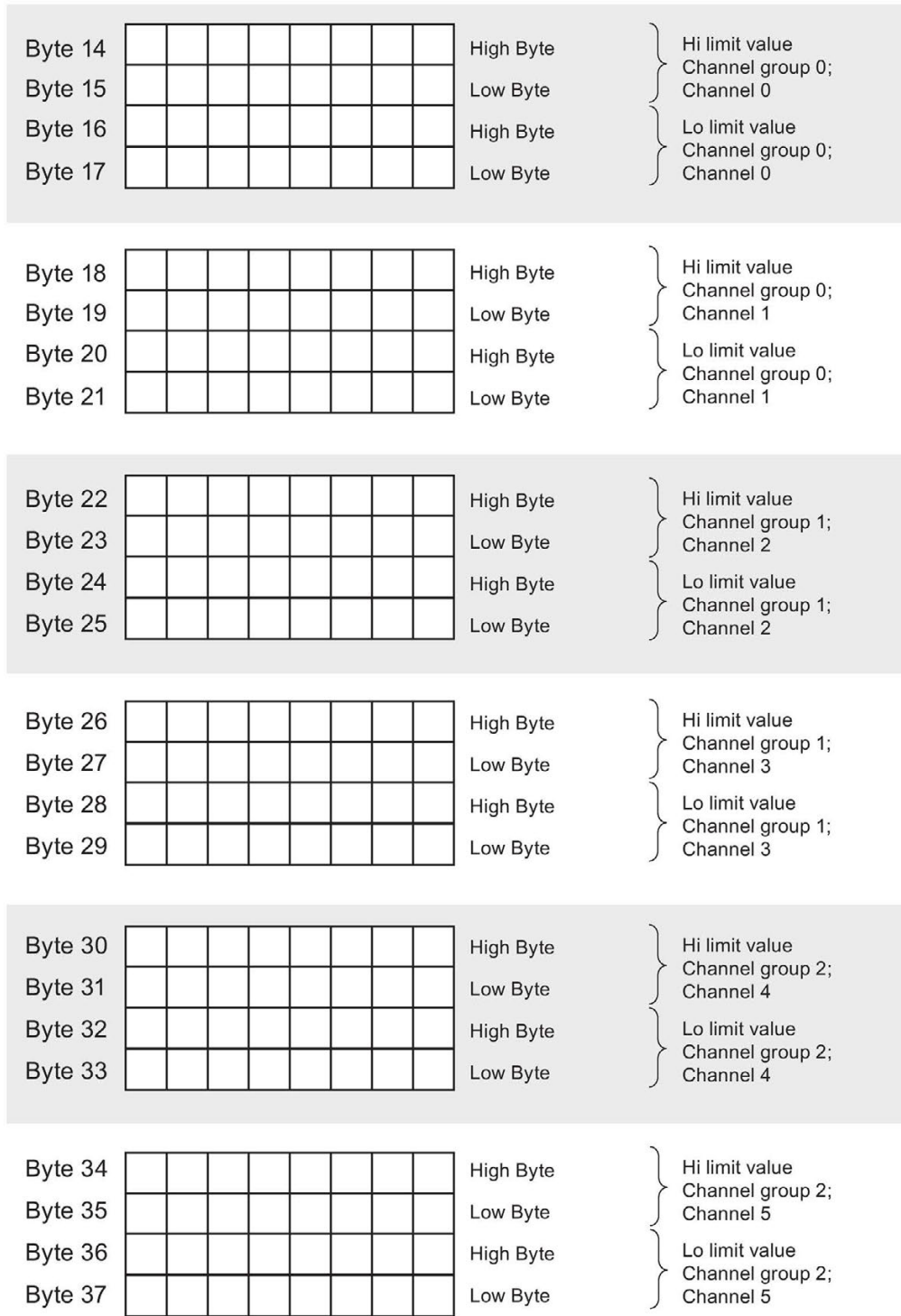


Figure A-9 Data record 128 of SM 331; AI 8 x RTD (continued)

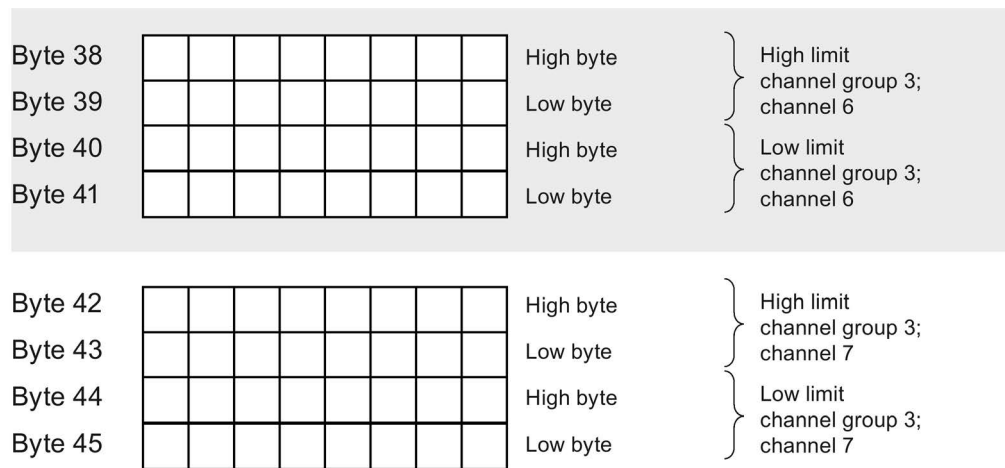


Figure A-10 Data record 128 of SM 331; AI 8 x RTD (continued)

Note

The representation of limits matches the analog value representation. Observe range limits when setting the limit values.

Modes of operation of SM 331; AI 8 x RTD

The table below contains the coding at byte 0 of data record 128 for the various modes of operation (see the previous figure.)

Table A- 10 Operating mode coding of SM 331; AI 8 x RTD

Operating mode	Code
8 channels, hardware filter	2#00000000
8 channels, software filter	2#00000001
4 channels, hardware filter	2#00000010

Interference frequency suppression at SM 331; AI 8 x RTD

The table below contains the frequency codes to be entered at byte 1 of data record 128 (see the previous figure.) The 50 Hz, 60 Hz and 400 Hz only apply to 8channel software filter mode. The 50 Hz, 60 Hz and 400 Hz settings only apply to 4- and 8-channel hardware filter mode.

Table A- 11 Interference suppression coding of SM 331; AI 8 x RTD

Interference frequency suppression	Code
400 Hz	2#00
60 Hz	2#01
50 Hz	2#10
50/60/400 Hz	2#11

Measurement types and measuring ranges of SM 331; AI 8 x RTD

The table below shows all measurement types and measuring ranges of the module, including their codes. Enter these codes at the corresponding bytes of data record 128 (see the figure *Data record 1 for the parameters of analog input modules*).

Table A- 12 Measuring range codes of SM 331; AI 8 x RTD

Measurement type	Code	Measuring range	Code
disabled	2#0000	disabled	2#0000
Resistance (4-wire connection)	2#0100	150 Ω	2#0010
		300 Ω	2#0100
		600 Ω	2#0110
Resistance (3-wire connection)	2#0101	150 Ω	2#0010
		300 Ω	2#0100
		600 Ω	2#0110

A.7 Parameters of analog input module SM 331; AI 8 x RTD

Measurement type	Code	Measuring range	Code
Thermal resistance + linearization 4-wire connection	2#1000	Pt 100 Climatic	2#00000000
		Ni 100 Climatic	2#00000001
		Pt 100 Standard	2#00000010
		Ni 100 Standard	2#00000011
		Pt 500 Standard	2#00000100
		Pt 1000 Standard	2#00000101
		Ni 1000 Standard	2#00000110
		Pt 200 Climatic	2#00000111
		Pt 500 Climatic	2#00001000
		Pt 1000 Climatic	2#00001001
		Ni 1000 Climatic	2#00001010
		Pt 200 Standard	2#00001011
		Ni 120 Standard	2#00001100
		Ni 120 Climatic	2#00001101
		Cu 10 Climatic	2#00001110
		Cu 10 Standard	2#00001111
		Ni 200 Standard	2#00010000
		Ni 200 Climatic	2#00010001
		Ni 500 Standard	2#00010010
		Ni 500 Climatic	2#00010011
		Pt 10 GOST Climatic	2#00010100
		Pt 10 GOST Standard	2#00010101
		Pt 50 GOST Climatic	2#00010110
		Pt 50 GOST Climatic	2#00010111
		Pt 100 GOST Climatic	2#00011000
		Pt 100 GOST Standard	2#00011001
		Pt 500 GOST Climatic	2#00011010
		Pt 500 GOST Standard	2#00011011
		Cu 10 GOST Climatic	2#00011100
		Cu 10 GOST Standard	2#00011101
		Cu 50 GOST Climatic	2#00011110
		Cu 50 GOST Standard	2#00011111
Cu 100 GOST Climatic	2#00100000		
Cu 100 GOST Standard	2#00100001		
Ni 100 GOST Climatic	2#00100010		
Ni 100 GOST Standard	2#00100011		

A.7 Parameters of analog input module SM 331; AI 8 x RTD

Measurement type	Code	Measuring range	Code
Thermal resistance + linearization 3-wire connection	2#1001	Pt 100 climatic	2#00000000
		Ni 100 climatic	2#00000001
		Pt 100 standard	2#00000010
		Ni 100 standard	2#00000011
		Pt 500 standard	2#00000100
		Pt 1000 standard	2#00000101
		Ni 1000 standard	2#00000110
		Pt 200 climatic	2#00000111
		Pt 500 climatic	2#00001000
		Pt 1000 climatic	2#00001001
		Ni 1000 climatic	2#00001010
		Pt 200 standard	2#00001011
		Ni 120 standard	2#00001100
		Ni 120 climatic	2#00001101
		Cu 10 climatic	2#00001110
		Cu 10 standard	2#00001111
		Ni 200 standard	2#00010000
		Ni 200 climatic	2#00010001
		Ni 500 standard	2#00010010
		Ni 500 climatic	2#00010011
		Pt 10 GOST climatic	2#00010100
		Pt 10 GOST standard	2#00010101
		Pt 50 GOST climatic	2#00010110
		Pt 50 GOST standard	2#00010111
		Pt 100 GOST climatic	2#00011000
		Pt 100 GOST standard	2#00011001
		Pt 500 GOST climatic	2#00011010
		Pt 500 GOST standard	2#00011011
		Cu 10 GOST climatic	2#00011100
		Cu 10 GOST standard	2#00011101
		Cu 50 GOST climatic	2#00011110
		Cu 50 GOST standard	2#00011111
		Cu 100 GOST climatic	2#00100000
		Cu 100 GOST standard	2#00100001
		Ni 100 GOST climatic	2#00100010
		Ni 100 GOST standard	2#00100011

Temperature coefficient of SM 331; AI 8 x RTD

The table below contains the temperature coefficient codes to be entered at the corresponding byte of data record 128 (refer to the previous figure.)

Table A- 13 Temperature coefficient codes of SM 331; AI 8 x RTD

Temperature coefficient	Code
Pt 0.003850 $\Omega/\Omega/^\circ\text{C}$ (IPTS-68)	2#0000
Pt 0,003916 $\Omega/\Omega/^\circ\text{C}$	2#0001
Pt 0.003902 $\Omega/\Omega/^\circ\text{C}$	2#0010
Pt 0.003920 $\Omega/\Omega/^\circ\text{C}$	2#0011
Pt 0.003850 $\Omega/\Omega/^\circ\text{C}$ (ITS-90)	2#0100
Pt 0.003910 $\Omega/\Omega/^\circ\text{C}$	2#0101
Pt 0.006170 $\Omega/\Omega/^\circ\text{C}$	2#0111
Ni 0.006180 $\Omega/\Omega/^\circ\text{C}$	2#1000
Ni 0.006720 $\Omega/\Omega/^\circ\text{C}$	2#1001
0.005000 $\Omega/\Omega/^\circ\text{C}$ (LG Ni 1000)	2#1010
Cu 0.004260 $\Omega/\Omega/^\circ\text{C}$	2#1011
Cu 0.004270 $\Omega/\Omega/^\circ\text{C}$	2#1100
Cu 0.004280 $\Omega/\Omega/^\circ\text{C}$	2#1101

Smoothing function at SM 331; AI 8 x RTD

The table below lists all smoothing codes to be entered at the corresponding byte of data record 128 (refer to the previous figure.)

Table A- 14 Smoothing codes at SM 331; AI 8 x RTD

Smoothing	Code
None	2#00
Low	2#01
Average	2#10
High	2#11

See also

Analog modules (Page 300)

Parameters of analog input modules (Page 534)

A.8 Parameters of SM 331; AI 8 TC

Parameter

The table below shows all parameters you can set at analog input module SM 331; AI 8 x TC.

The comparison illustrates the parameters you can edit:

- in *STEP 7*
- using SFC55 "WR_PARM"

Parameters set in *STEP 7* can also be transferred to the module using SFC56 and SFC57 (refer to the *STEP 7* manuals).

Table A- 15 Parameters of SM 331; AI 8 TC

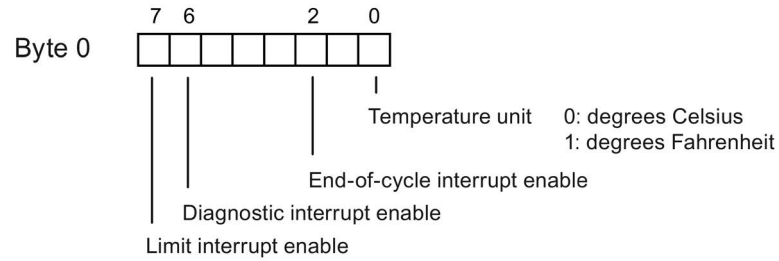
Parameters	Data record number	Programmable, using ...	
		... SFC 55	... PG
Diagnostics: Group diagnostics	0	no	yes
Diagnostics: with wirebreak monitoring		no	yes
Diagnostic interrupt enable	1	yes	yes
Hardware interrupt when limit exceeded		yes	yes
End of cycle interrupt enable		yes	yes
Temperature unit		yes	yes
Measurement type	128	yes	yes
Measuring range		yes	yes
Operating mode		yes	yes
Response to open thermocouple		yes	yes
Interference frequency suppression		yes	yes
Smoothing		yes	yes
High limit		yes	yes
Low limit		yes	yes

Note

To enable diagnostic interrupts in the user program at data record 1, you first need to enable diagnostics at data record 0 in *STEP 7*.

Structure of data record 1

The figure below shows the structure of data record 1 of SM 331; AI 8 x TC. You enable a parameter by setting a logical "1" at the corresponding bit.



Bytes 1 to 13 are not occupied

Figure A-11 Data record 1 for the parameters of SM 331; AI 8 x TC

Structure of data record 128

The figure below shows the structure of data record 128 of SM 331; AI 8 x TC.

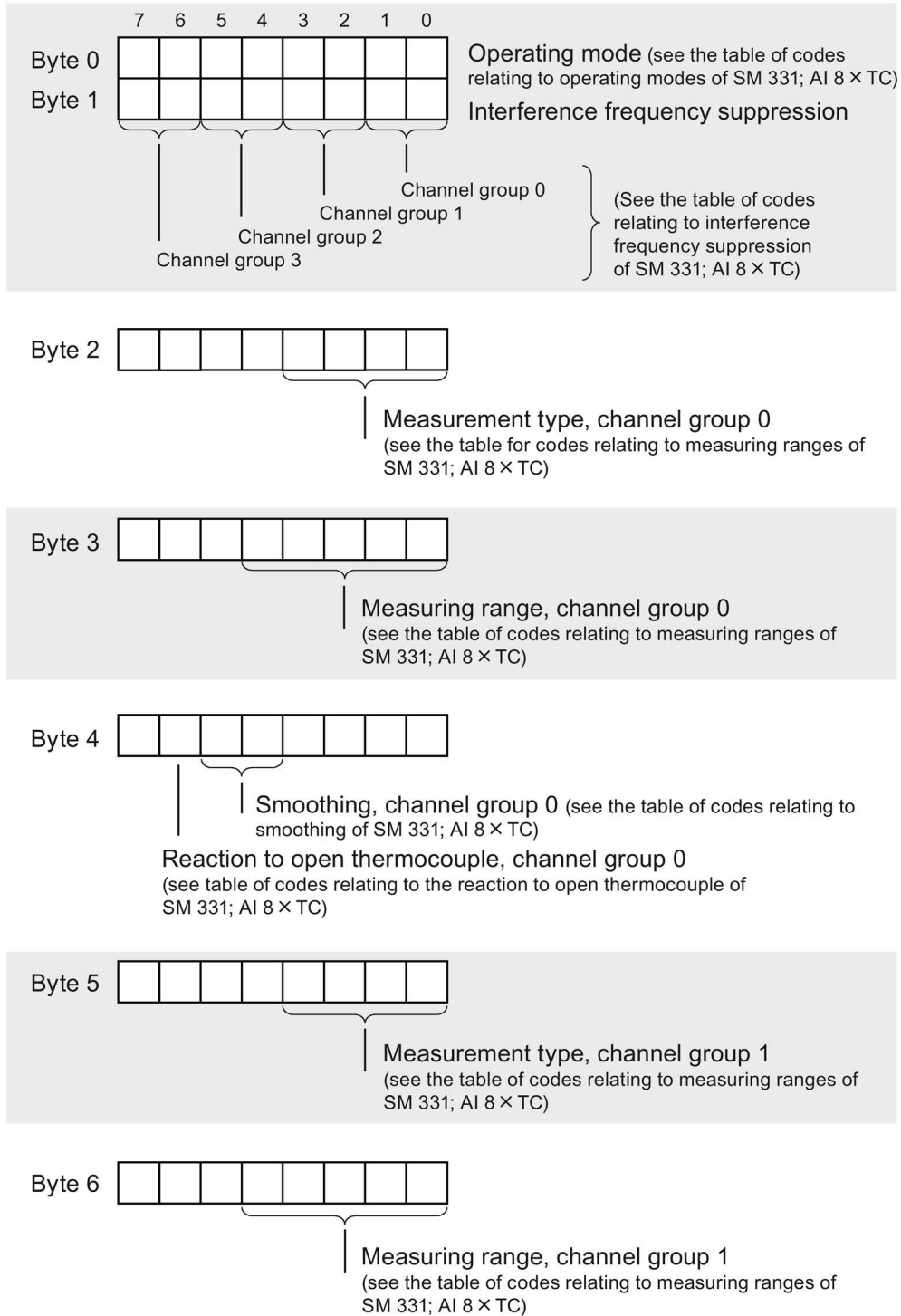


Figure A-12 Fig. A-10 Data record 128 of SM 331; AI 8 x TC (continued)

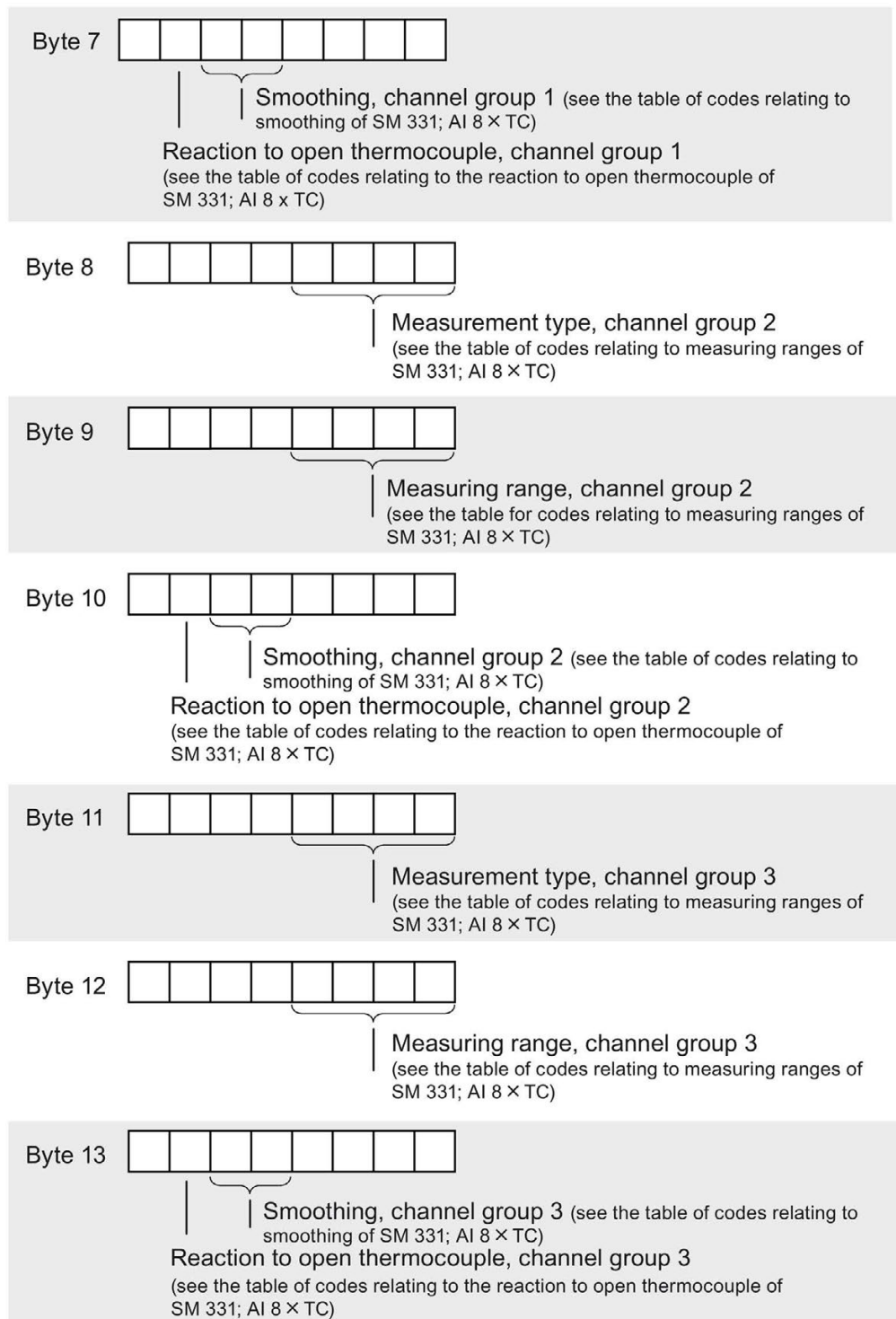


Figure A-13 Data record 128 of SM 331; AI 8 TC (continued)

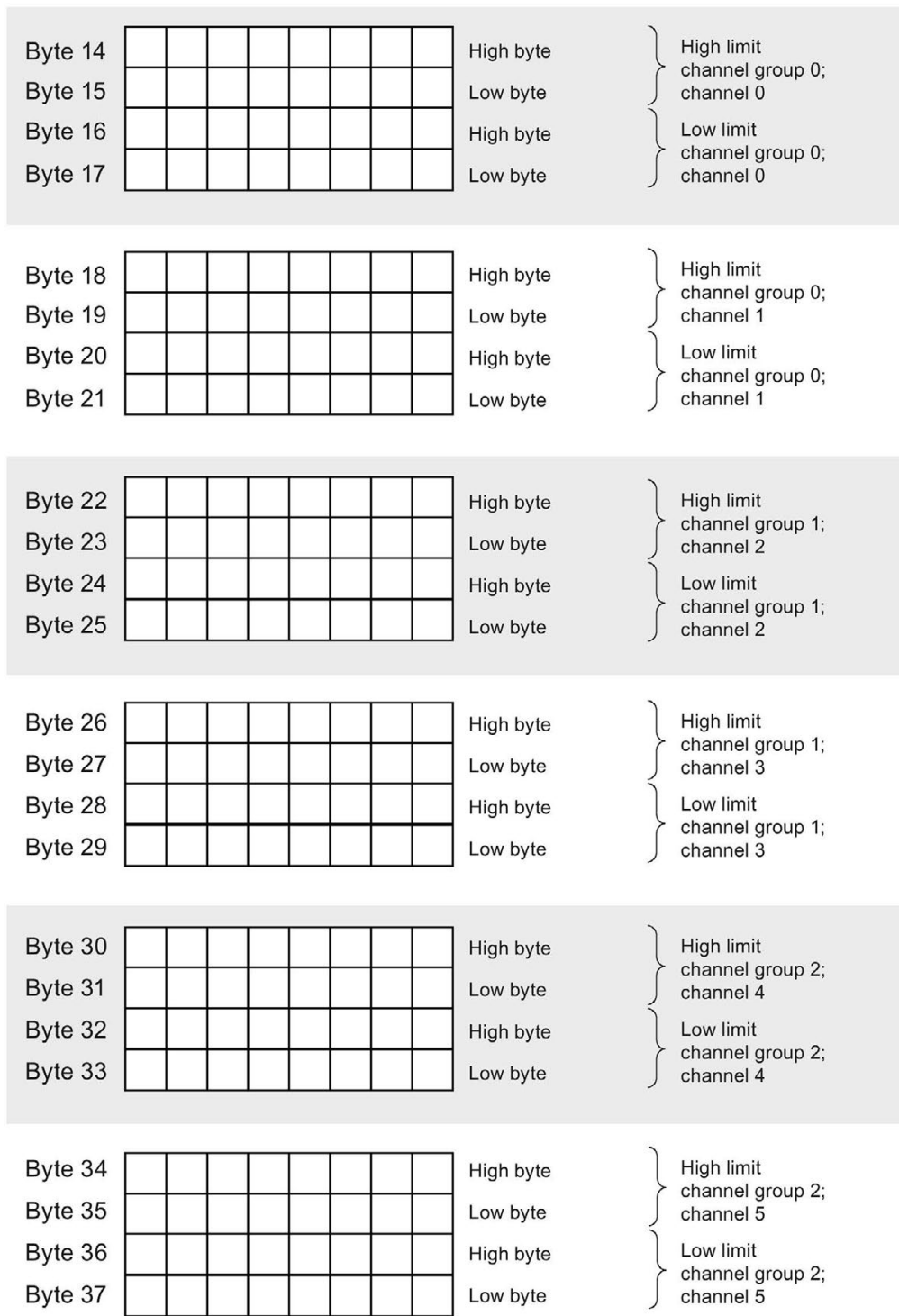


Figure A-14 Data record 128 of SM 331; AI 8 TC (continued)

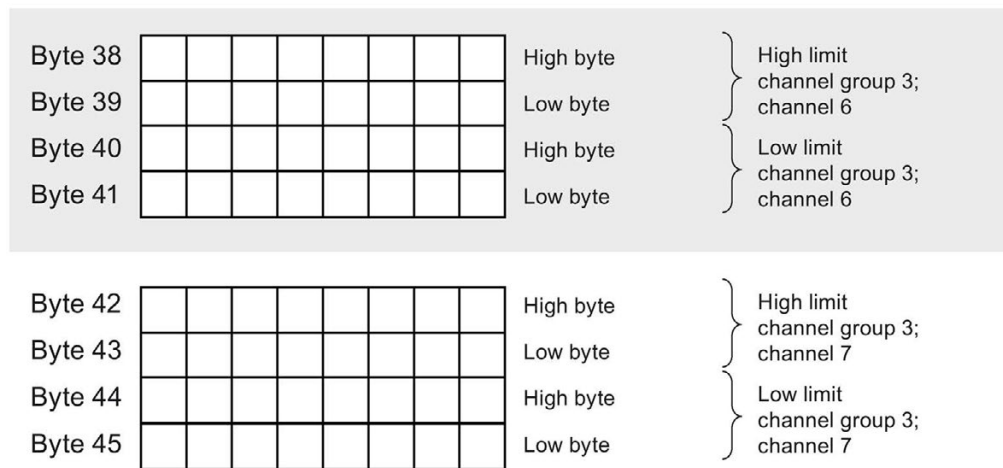


Figure A-15 Data record 128 of SM 331; AI 8 x TC (continued)

Note

The representation of limits matches the analog value representation. Observe range limits when setting the limit values.

Modes of operation of SM 331; AI 8 x TC

The table below contains the coding at byte 0 of data record 128 for the various modes of operation (see the previous figure.)

Table A- 16 Operating mode codes of SM 331; AI 8 x TC

Operating mode	Code
8 channels, hardware filter	2#00000000
8 channels, software filter	2#00000001
4 channels, hardware filter	2#00000010

Interference frequency suppression at SM 331; AI 8 x TC

The table below contains the frequency codes to be entered at byte 1 of data record 128 (see the previous figure.) The 400 Hz, 60 Hz and 50 Hz settings only apply to 8channel software filter mode. The 50 Hz, 60 Hz and 400 Hz settings only apply to 4- and 8-channel hardware filter mode.

Table A- 17 Interference frequency suppression codes of SM 331; AI 8 x TC

Interference frequency suppression	Code
400 Hz	2#00
60 Hz	2#01
50 Hz	2#10
50/60/400 Hz	2#11

Measurement types and measuring ranges of SM 331; AI 8 x TC

The table below shows all measurement types and measuring ranges of the module, including their codes. Enter these codes at the corresponding bytes of data record 128 (see the figure *Data record 1 for the parameters of analog input modules*).

Table A- 18 Measuring range codes of SM 331; AI 8 x TC

Measurement type	Code	Measuring range	Code
disabled	2#0000	disabled	2#0000
TC-L00C: (thermocouple, linear, 0 °C reference temperature)	2#1010	B	2#0000
		N	2#0001
		E	2#0010
		R	2#0011
		S	2#0100
		J	2#0101
		L	2#0110
		T	2#0111
		K	2#1000
		U	2#1001
TC-L50C: (thermocouple, linear, 50 °C reference temperature)	2#1011	C	2#1010
		TXK/XK(L)	2#1011
		B	2#0000
		N	2#0001
		E	2#0010
		R	2#0011
		S	2#0100
		J	2#0101
		L	2#0110
		T	2#0111
		K	2#1000
		U	2#1001
		C	2#1010
		TXK/XK(L)	2#1011

Measurement type	Code	Measuring range	Code
TC-IL: (thermocouple, linear, internal comparison)	2#1101	B	2#0000
		N	2#0001
		E	2#0010
		R	2#0011
		S	2#0100
		J	2#0101
		L	2#0110
		T	2#0111
		K	2#1000
		U	2#1001
C	2#1010		
		TXK/XK(L)	2#1011
TC-EL: (thermocouple, linear, external comparison)	2#1110	B	2#0000
		N	2#0001
		E	2#0010
		R	2#0011
		S	2#0100
		J	2#0101
		L	2#0110
		T	2#0111
		K	2#1000
		U	2#1001
C	2#1010		
		TXK/XK(L)	2#1011

Reaction to open thermocouple of the SM 331; AI 8 x TC

The table below lists the codes for the reaction to an open thermocouple to enter at the corresponding byte of data record 128 (refer the previous figure.)

Table A- 19 Codes of the reaction to open thermocouple of SM 331; AI 8 x TC

Response to open thermocouple	Code
Overflow	2#0
Underflow	2#1

Smoothing of SM 331; AI 8 x TC

The table below lists all smoothing codes to be entered at the corresponding byte of data record 128 (refer to the previous figure.)

Table A- 20 Smoothing codes at SM 331; AI 8 x TC

Smoothing	Code
None	2#00
Low	2#01
Average	2#10
High	2#11

See also

Analog modules (Page 300)

Parameters of analog input modules (Page 534)

A.9 Parameters of analog input module SM 331; AI 8 x 13 Bit

Structure of data record 1

The figure below shows the structure of data record 1 for the parameters of the analog input module.

You enable a parameter by setting a logical "1" at the corresponding bit in the bytes.

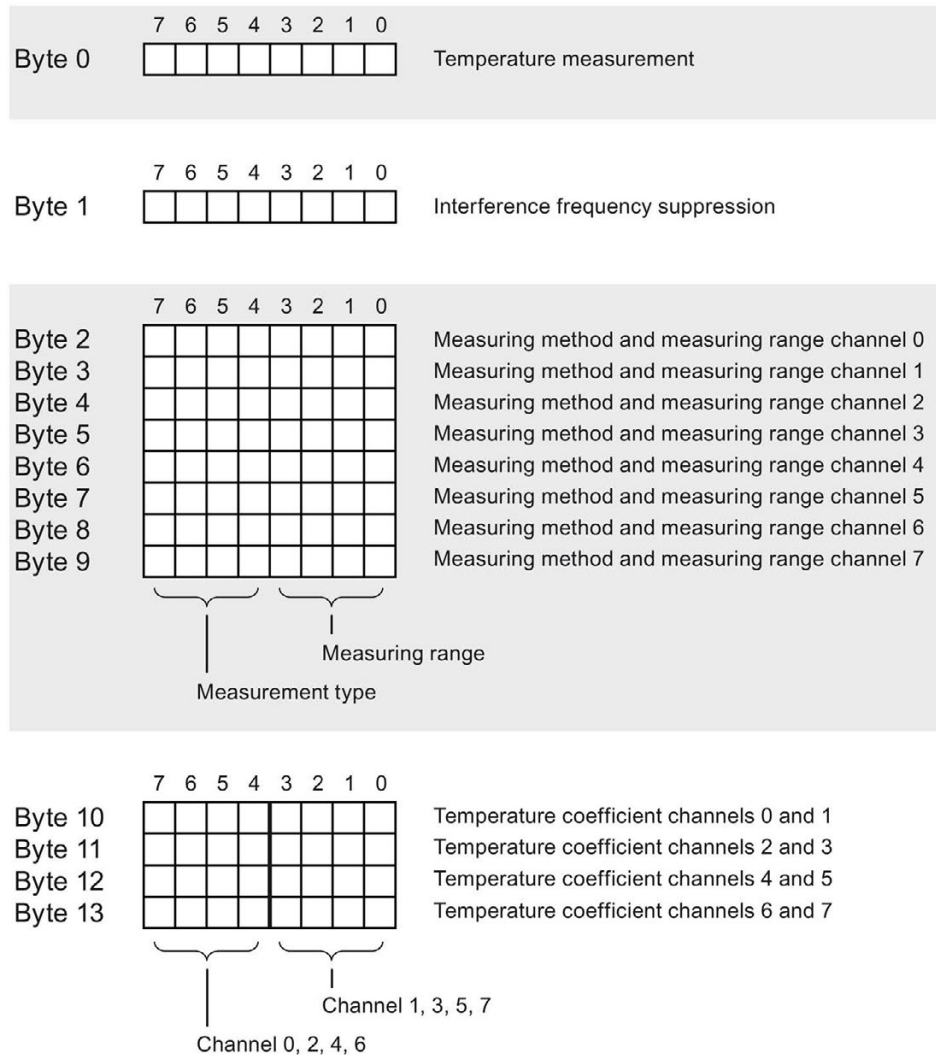


Figure A-16 Data record 1 for the parameters of analog input modules

Temperature measurement

The table below lists the temperature measurement codes to be entered at byte 0 of data record 1 (see the previous figure.)

Table A- 21 Temperature measurement codes of the analog input module

Temperature unit for linearization	Code
degrees Celsius	2#0000 0000
Degrees Fahrenheit	2#0000 1000
Kelvin	2#0001 0000

Interference frequency suppression

The table below contains the frequency codes to be entered at byte 1 of data record 1 (see the previous figure.) Make allowances for the resultant integration time at each module!

Table A- 22 Interference frequency suppression codes of the analog input module

Interference frequency suppression	Integration time	Code
60 Hz	50 ms	2#01
50 Hz	60 ms	2#10

Measurement types and measuring ranges

The table below contains all the measurement types and measuring ranges of the analog input module, including their codes. Enter these codes at bytes 2 to 13 in data record 1 (refer to the previous figure.)

Note

The front connector of the analog input module must be wired in accordance with the measuring range!

Table A- 23 Measuring ranges codes of the analog input module

Measurement type	Code	Measuring range	Code
disabled	2#0000	disabled	2#0000
Voltage	2#0001	± 50 mV	2#1011
		± 500 mV	2#0011
		± 1 V	2#0100
		± 5 V	2# 0110
		1 V to 5 V	2#0111
		0 V to 10 V	2#1000
		± 10 V	2#1001
Current	2#0010	0 mA to 20 mA	2#0010
		4 mA to 20 mA	2#0011
		± 20 mA	2#0100
Resistance	2#0101	600 Ω	2#0110
		6 kΩ	2#1000
		PTC	2#1111
Thermoelectric resistance (linear)	2#1001	Pt 100 Klima	2#0000
		Pt 100 Standard	2#0010
		Ni 100 Klima	2#0001
		Ni 100 Standard	2#0011
		Ni 1000 / LG-Ni 1000 Klima	2#1010
		Ni 1000 / LG-Ni 1000 Standard	2#0110
		KTY83/110	2#1100
KTY84/130	2#1101		

Temperature coefficient

The table below lists the temperature coefficient codes to be entered at bytes 10 to 13 of data record 1 (refer to previous figure.)

Table A- 24 Temperature measurement codes of the analog input module

Temperature coefficient	Measuring range	Code
Pt 0.003850 Ω/Ω/°C (ITS-90)	Pt 100	2#0100
Ni 0.006180 Ω/Ω/°C	Ni 100 / Ni 1000	2#1000
Ni 0.005000 Ω/Ω/°C	LG-Ni 1000	2#1010

A.10 Setting of the analog input module SM 331; AI 8 x 16 Bit (6ES7331-7NF10-0AB0)

Parameter

The table below contains all settings you can set for isolated digital output modules SM 331; AI 8 x 16 Bit (6ES7331-7NF10-0AB0). This comparison shows which specific method you can use to configure the various parameters:

- SFC55 "WR_PARM"
- STEP 7 programming device

Parameters set in STEP 7 can also be transferred to the module using SFC56 or SFC57.

Table A- 25 Parameters for the electrically isolated analog input module SM 331; AI 8 x 16 Bit

Parameters	Data record no.	Configurable using...	
		... SFC55	...Programming device
Diagnostics: Group diagnostics	0	no	yes
Diagnostics: with wirebreak monitoring		no	yes
Hardware interrupt when limit exceeded	1	yes	yes
Diagnostics interrupt enable		yes	yes
End-of-cycle alarm enable		yes	yes
Module operating mode	128	yes	yes
Noise suppression		yes	yes
Measuring method		yes	yes
Measuring range		yes	yes
Smoothing		yes	yes
High limit		yes	yes
Low limit		yes	yes

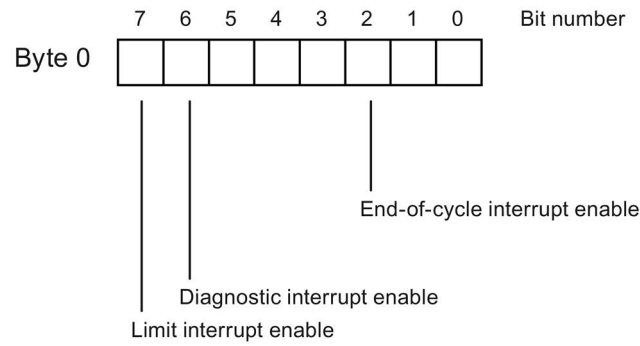
Note

To enable diagnostic interrupts in the user program at data record 1, you first need to enable diagnostics at data record 0 in STEP 7.

Structure of data record 1

The figure below shows the structure of data record 1 for the parameters of the electrically isolated analog input module SM 331; AI 8 x 16 bit.

You enable a parameter by setting a logical "1" at the corresponding bit in byte 0.



Bytes 1 to 13 are not occupied

Figure A-17 Data record 1 for parameters of SM 331; AI 8 x 16 Bit

Structure of data record 128

The figure below shows the structure of data record 128 for the parameters of the electrically isolated analog input module SM 331; AI 8 x 16 bit.

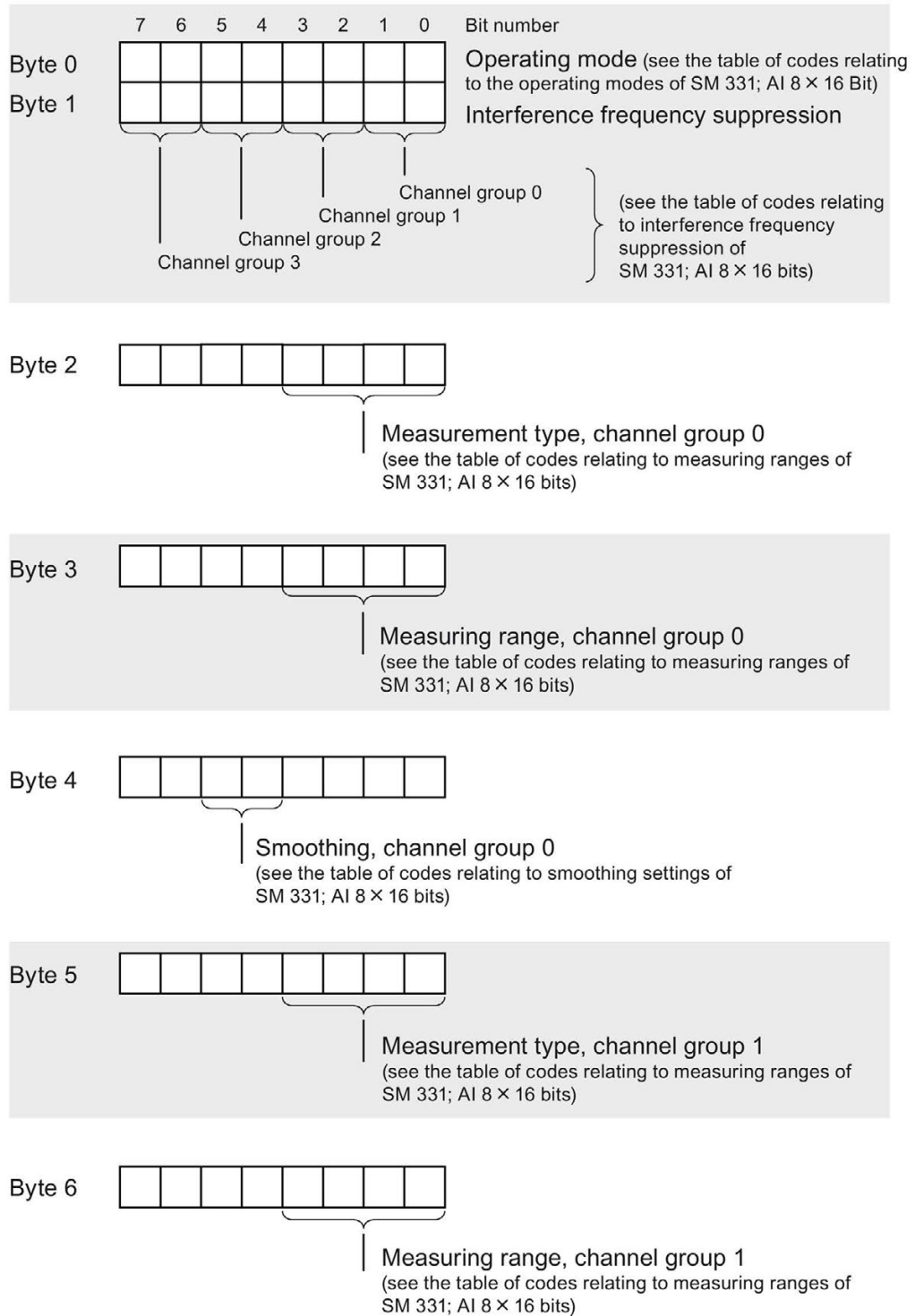


Figure A-18 Data record 128 for parameters of SM 331; AI 8 x 16 Bit

A.10 Setting of the analog input module SM 331; AI 8 x 16 Bit (6ES7331-7NF10-0AB0)

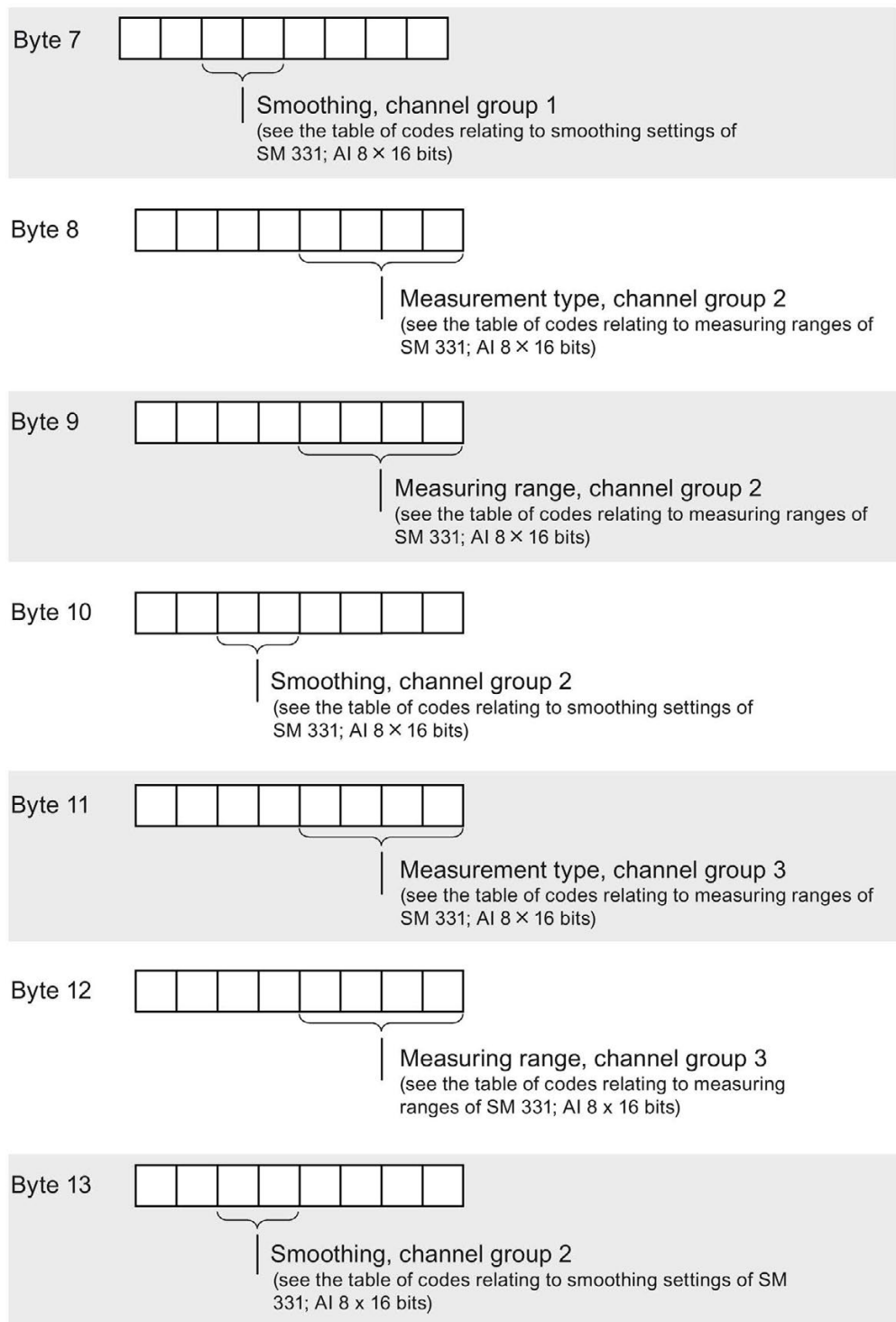


Figure A-19 Data record 128 for parameters of SM 331; AI 8 x 16 Bit (continued)

A.10 Setting of the analog input module SM 331; AI 8 x 16 Bit (6ES7331-7NF10-0AB0)

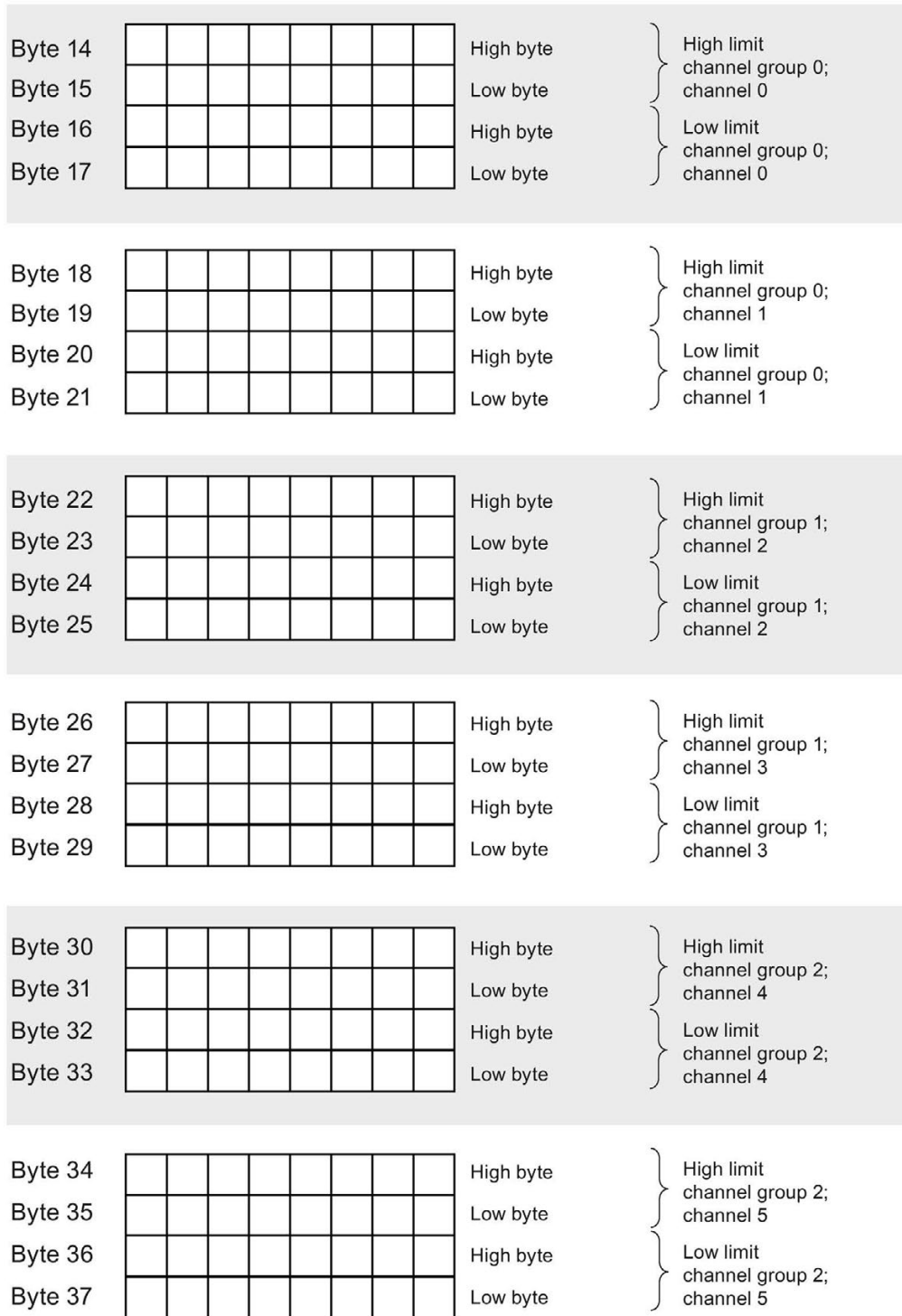


Figure A-20 Data record 128 for parameters of SM 331; AI 8 x 16 Bit (continued)

A.10 Setting of the analog input module SM 331; AI 8 x 16 Bit (6ES7331-7NF10-0AB0)

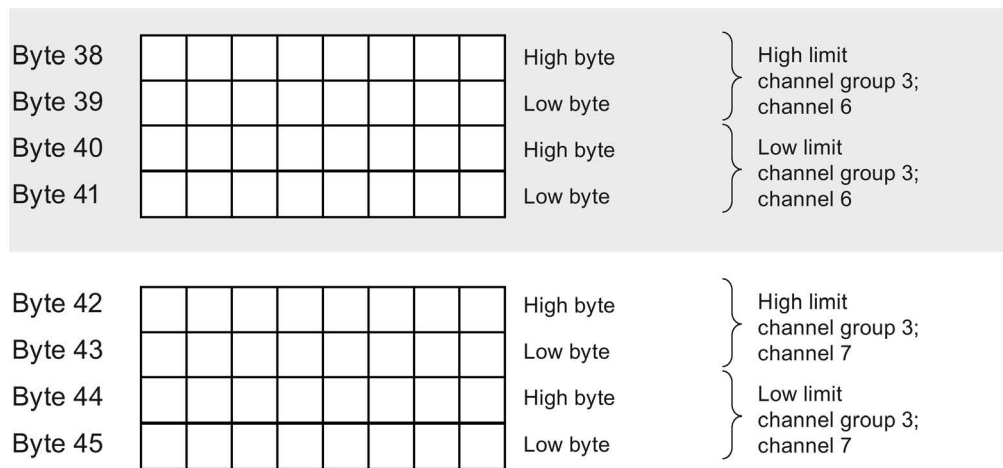


Figure A-21 Data record 128 for parameters of SM 331; AI 8 x 16 Bit (continued)

Note

The representation of limits matches the analog value representation. Observe range limits when setting the limit values.

Module operating modes

The table below lists the operating mode codes to be entered at byte 0 of data record 128 (see the previous figure.)

Table A- 26 Operating mode codes of SM 331; AI 8 x 16 Bit

Module operating mode	Code
8 channels	2#00000000
4 channels	2#00000001

Noise suppression

The table below lists the frequency codes to be entered at byte 1 of data record 128 (see the previous figure.) 4-channel mode only works if 50 Hz, 60 Hz and 400 Hz noise suppression is set.

Table A- 27 Noise suppression codes of SM 331; AI 8 x 16 Bit

Noise suppression	Code
400 Hz	2#00
60 Hz	2#01
50 Hz	2#10
50 Hz, 60 Hz and 400 Hz	2#11

Measuring methods and ranges

The table below lists the measuring ranges of the electrically isolated analog input module SM 331; AI 8 x 16 bit. The table below shows the measuring method and range codes. Enter these codes according to the required measuring range at the relevant byte of data record 128 (see previous figure.)

Table A- 28 Measuring range codes of SM 331; AI 8 x 16 Bit

Measuring method	Code	Measuring range	Code
Disabled	2#0000	Disabled	2#0000
Voltage	2#0001	±5 V 1 V to 5 V ±10 V	2#0110 2#0111 2#1001
Current (4-wire transducer)	2#0010	0 mA to 20 mA 4 mA to 20 mA ± 20 mA	2#0010 2#0011 2#0100

Settings of input smoothing

The table below lists the smoothing settings of the electrically isolated analog input module SM 331; AI 8 x 16 Bit. Enter these codes according to the required smoothing at the relevant byte of data record 128 (see previous figure.)

Table A- 29 Smoothing codes of SM 331; AI 8 x 16 Bit

Smoothing settings	Code
None	2#00
Low	2#01
Average	2#10
High	2#11

See also

Analog modules (Page 300)

A.11 Parameters of analog input module SM 331; AI 6 x TC isolated

Parameter

The table below shows all parameters you can set at analog input module SM 331; AI 6 x TC.

The comparison illustrates the parameters you can edit:

- In *STEP 7*
- Using SFC55 "WR_PARM"

Parameters set in *STEP 7* can also be transferred to the module using SFC56 and SFC57 (refer to the *STEP 7* manuals).

Parameters	Data record number	Programmable, using ...	
		... SFC55	... PG
Diagnostics: Channel	0	No	Yes
Diagnostics: For wire break	0	No	Yes
Hardware interrupt when limit exceeded	1	Yes	Yes
Diagnostic interrupt enable	1	Yes	Yes
Temperature unit	1	Yes	Yes
Activation of auto-calibration	1	Yes	Yes
Interference frequency suppression	1	Yes	Yes
Measurement type	1	Yes	Yes
Measuring range	1	Yes	Yes
Measured value smoothing	1	Yes	Yes
Response to open thermocouple	1	Yes	Yes
External reference junction	1	Yes	Yes
Temperature coefficient	1	Yes	Yes
High limit	128	Yes	Yes
Low limit	128	Yes	Yes

Note

To enable diagnostic interrupts in the user program at data record 1, you first need to enable diagnostics at data record 0 in *STEP 7*.

Structure of data record 1

The figure below shows the structure of data record 1 for the parameters of analog input module SM 331; AI 6 x TC. You enable a parameter by setting a logical "1" at the corresponding bit.

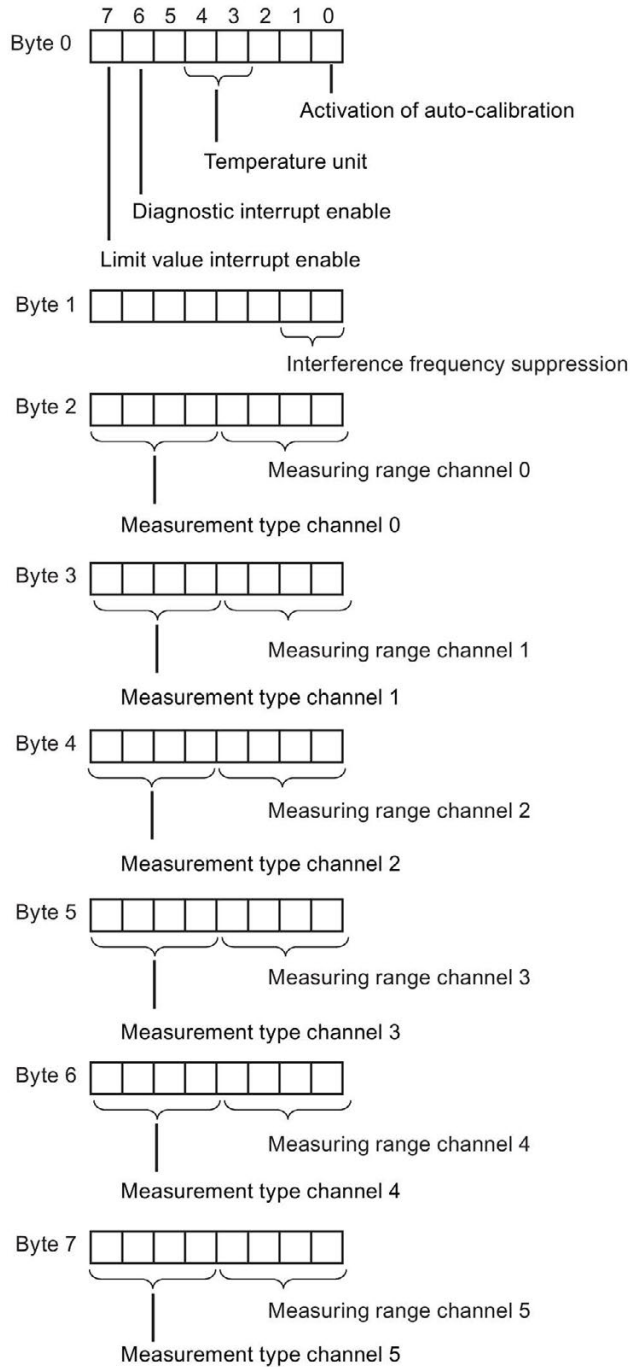


Figure A-22 Structure of data record 1 for AI 6 x TC

Structure of data record 128

The figure below shows the structure of data record 128 for the parameters of analog input module SM 331; AI 6 x TC.

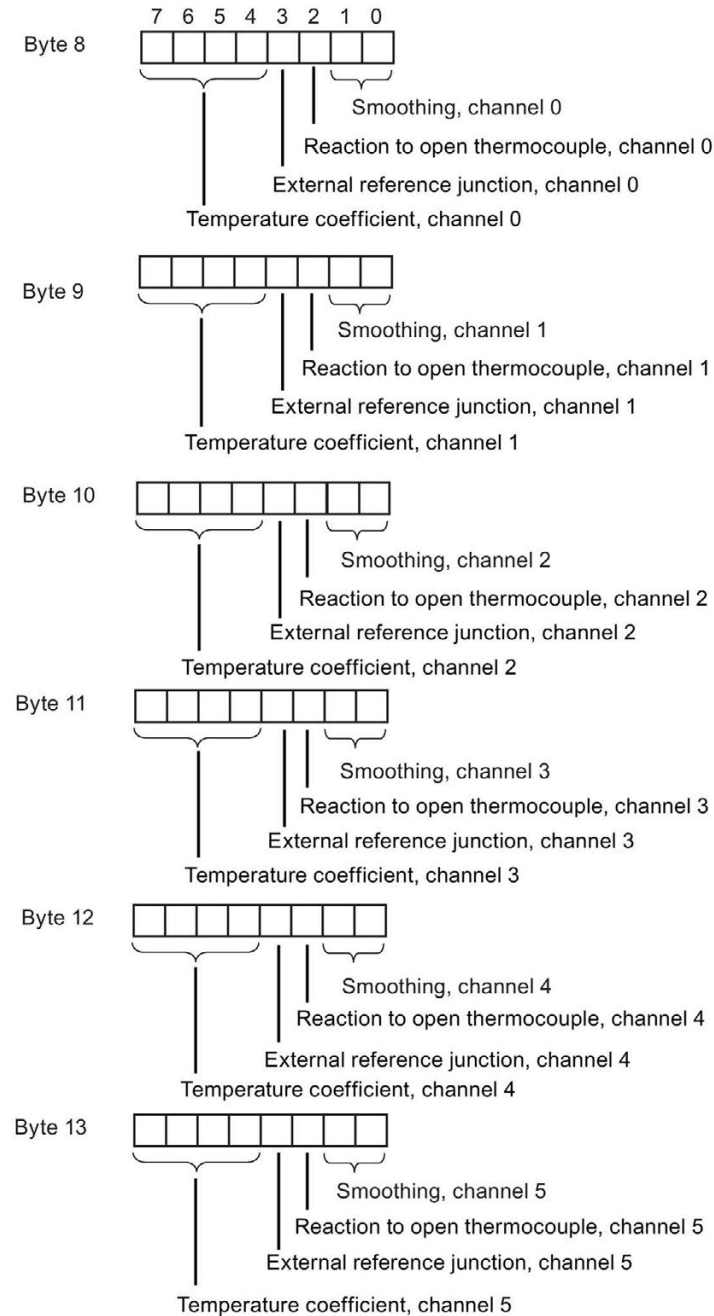


Figure A-23 Structure of data record 1 for AI 6 x TC (cont.)

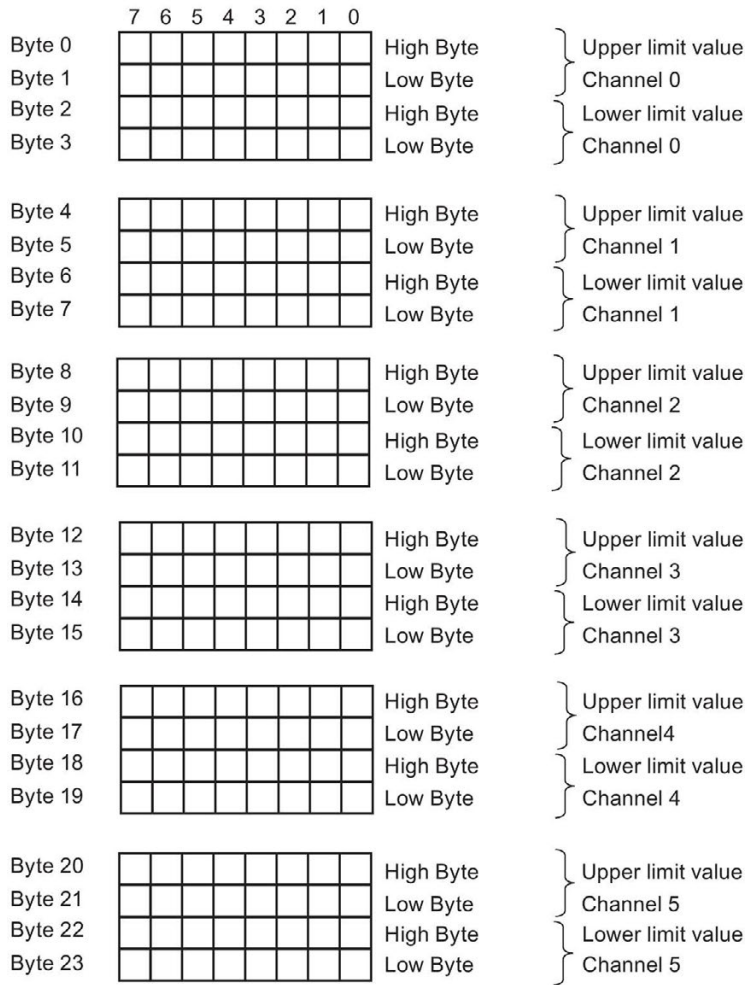


Figure A-24 Data record 128 for AI 6 x TC

Note

The representation of limits matches the analog value representation. When defining limit values, take the measuring range limits into account.

Temperature measurement

The table below contains the coding you must enter at byte 0 of data record 1 for the various temperature measurements.

Temperature unit for linearization	Code
Celsius	2#00
Fahrenheit	2#01
Kelvin	2#10

Interference frequency suppression

The table below contains the coding you must enter at byte 1 of data record 1 for the various frequencies.

Interference frequency suppression	Code
400 Hz	2#00
60 Hz	2#01
50 Hz	2#10
10 Hz	2#11

Measurement types and measuring ranges

The table below contains all measuring ranges for the module, together with the associated codes. Enter these codes at the corresponding bytes of data record 1.

Measurement type	Code	Measuring range	Code
disabled	2#0000	disabled	2#0000
Voltage	2#0001	± 80 mV ± 250 mV ± 500 mV ± 1 V ± 25 mV ± 50 mV	2#0001 2#0010 2#0011 2#0100 2#1010 2#1011
TC-L00C Thermocouple, linear, 0 °C reference temperature	2#1010	B N E R S J L T K U C TxK/XK(L)	2#0000 2#0001 2#0010 2#0011 2#0100 2#0101 2#0110 2#0111 2#1000 2#1001 2#1010 2#1011
TC-L50C Thermocouple, linear, 50 °C reference temperature	2#1011	B N E R S J L T K U C TxK/XK(L)	2#0000 2#0001 2#0010 2#0011 2#0100 2#0101 2#0110 2#0111 2#1000 2#1001 2#1010 2#1011

Measurement type	Code	Measuring range	Code
TC-IL Thermocouple, linear, internal comparison	2#1101	B	2#0000
		N	2#0001
		E	2#0010
		R	2#0011
		S	2#0100
		J	2#0101
		L	2#0110
		T	2#0111
		K	2#1000
		U	2#1001
		C	2#1010
TxK/XK(L)	2#1011		
TC-EL: Thermocouple, linear, external comparison	2#1110	B	2#0000
		N	2#0001
		E	2#0010
		R	2#0011
		S	2#0100
		J	2#0101
		L	2#0110
		T	2#0111
		K	2#1000
		U	2#1001
		C	2#1010
TxK/XK(L)	2#1011		

Smoothing

The table below lists all smoothing codes to be entered at the corresponding byte of data record 1.

Smoothing	Code
None	2#00
Low	2#01
Average	2#10
High	2#11

Response to open thermocouple

The table below lists the codes for the reaction to an open thermocouple to be entered at the corresponding byte of data record 1.

Response to open thermocouple	Code
Overflow	2#0
Underflow	2#1

External reference junction

The table below lists the codes for the external reference junction, to be entered at the corresponding byte of data record 1.

Selection of an external reference junction	Code
Local thermoresistor	2#0
Remote thermoresistor	2#1

Temperature coefficient

The table below lists the codes for the temperature coefficient, to be entered at the corresponding byte of data record 1.

Temperature coefficient	Code
Pt 0.003850 $\Omega/\Omega/^\circ\text{C}$ (IPTS-68)	2#0000
Pt 0.003916 $\Omega/\Omega/^\circ\text{C}$	2#0001
Pt 0.003902 $\Omega/\Omega/^\circ\text{C}$	2#0010
Pt 0.003920 $\Omega/\Omega/^\circ\text{C}$	2#0011
Pt 0.003850 $\Omega/\Omega/^\circ\text{C}$ (ITS-90)	2#0100
Pt 0.003910 $\Omega/\Omega/^\circ\text{C}$ (GOST)	2#0101

Note

When selecting a temperature coefficient by writing data record 1 via an SFC or a GSD file, the same temperature coefficient must be specified for every channel which uses the external reference junction. If you select different temperature coefficients, this will lead to a parameter fault.

A.12 Parameters of analog output modules

Parameters

The table below lists all parameters you can set for analog output modules. The comparison shows:

- which parameters you can edit in *STEP 7*, and
- which parameters you can change using SFC55 "WR_PARM".

Parameters set in *STEP 7* can also be transferred to the module using SFC56 and SFC57.

Table A- 30 Parameters of analog output modules

Parameters	Data record number	Programmable, using ...	
		... SFC55	... PG
Diagnostics: Group diagnostics	0	No	Yes
Diagnostic interrupt enable	1	Yes	Yes
Reaction to CPU STOP		Yes	Yes
Output type		Yes	Yes
Output range		Yes	Yes
Substitute value		Yes	Yes

Note

To enable diagnostic interrupts in the user program at data record 1, you first need to enable diagnostics at data record 0 in *STEP 7*.

Structure of data record 1

The figure below shows the structure of data record 1 for the parameters of analog output modules.

You enable diagnostic interrupts by setting a logic "1" at the corresponding bit of byte 0.

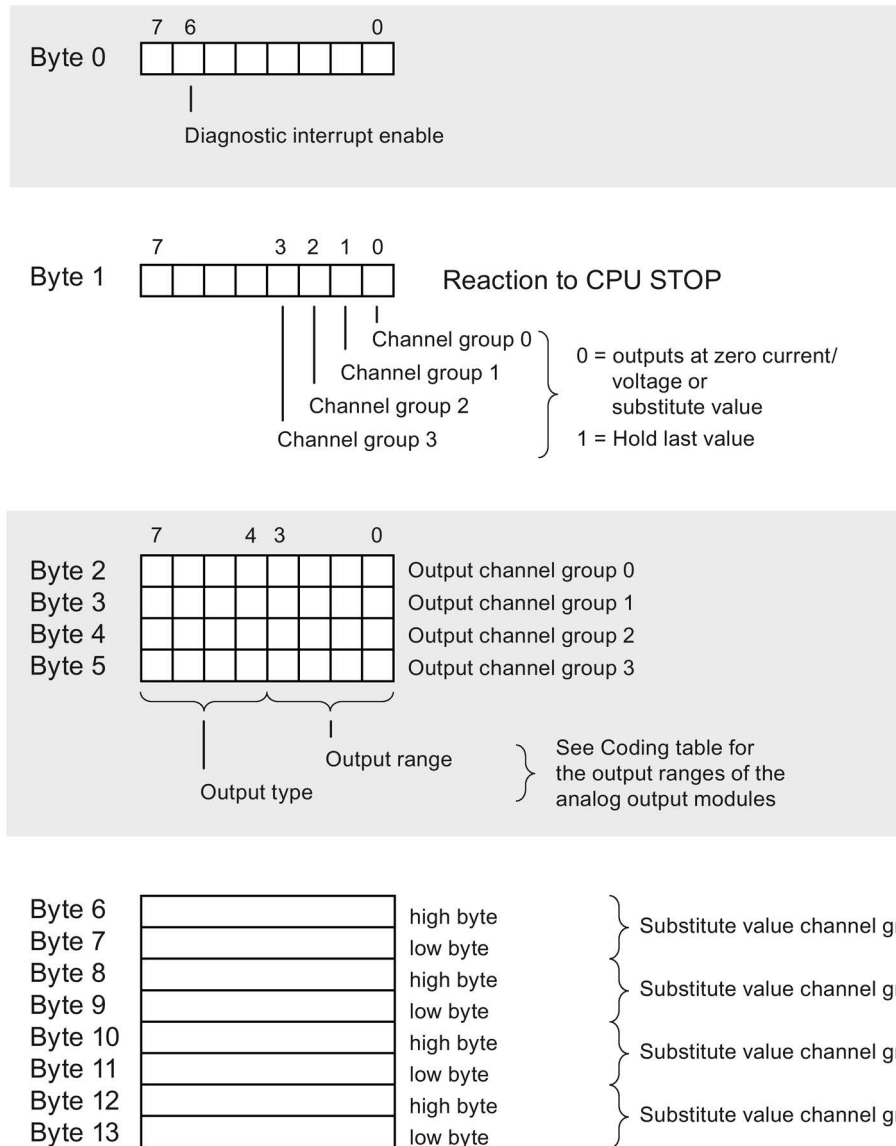


Figure A-25 Data record 1 for the parameters of analog output modules

Output types and output ranges

The table below lists all output types/ranges of the analog output modules, including their codes. Enter these codes at bytes 2 to 5 in data record 1 (refer to the previous figure.)

Table A- 31 Output range codes of analog output modules

Output type	Code	Output range	Code
disabled	2#0000	disabled	2#0000
Voltage	2#0001	1 V to 5 V	2#0111
		0 V to 10 V	2#1000
		± 10 V	2#1001
Current	2#0010	0 mA to 20 mA	2#0010
		4 mA to 20 mA	2#0011
		± 20 mA	2#0100

See also

Analog modules (Page 300)

A.13 Parameters of analog output module SM 332; AO 8 x 12 Bit

Parameter

The table below shows all parameters you can set at analog output module SM 332; AO 8 x 12 Bit. The comparison shows:

- which parameters you can edit in *STEP 7*, and
- which parameters you can change using SFC 55 "WR_PARM".

Parameters set in *STEP 7* can also be transferred to the module using SFC 56 and SFC 57.

Table A- 32 Parameters of SM 332; AO 8 x 12 Bit

Parameters	Data record number	Programmable, using ...	
		... SFC 55	... PG
Diagnostics: Group diagnostics	0	no	yes
Diagnostics interrupt enable	1	yes	yes
Reaction to CPU STOP		yes	yes
Output type		yes	yes
Output range		yes	yes

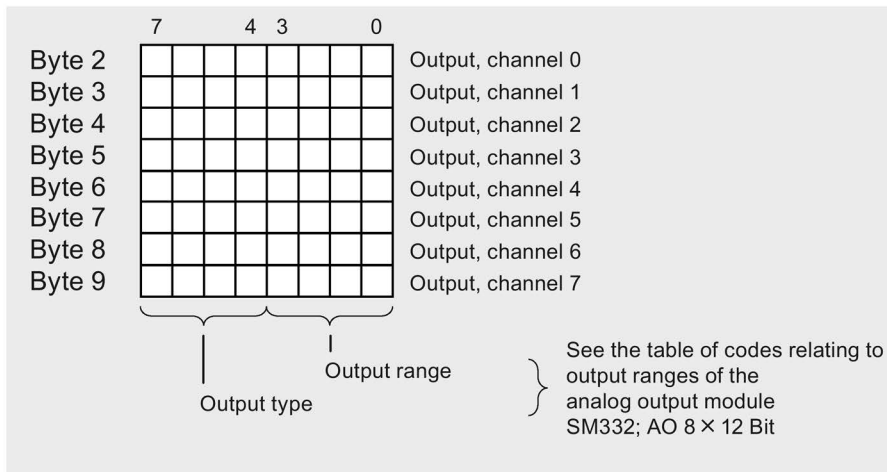
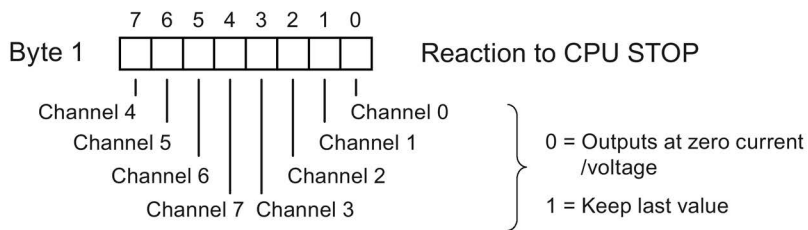
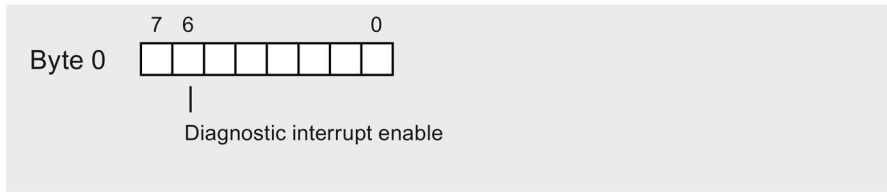
Note

To enable diagnostics interrupts in the user program at data record 1, you first need to enable diagnostics at data record 0 in *STEP 7*.

Structure of data record 1

The figure below shows the structure of data record 1 for the parameters of SM 332; AO 8 x 12 Bit.

You enable diagnostics interrupts by setting a logic "1" at the corresponding bit of byte 0.



Bytes 10 to 13 are not occupied

Figure A-26 Data record 1 for the parameters of analog output modules

Output type and output range

The table lists the output types/ranges of SM 332; AO 8 x 12 Bit, including their codes. Enter these codes at bytes 2 to 9 in data record 1 (refer to the previous figure.)

Table A- 33 Output range codes of analog output module SM 332; AO 8 x 12 Bit

Output type	Code	Output range	Code
Disabled	2#0000	Disabled	2#0000
Voltage	2#0001	1 V to 5 V 0 V to 10 V ± 10 V	2#0111 2#1000 2#1001
Current	2#0010	0 mA to 20 mA 4 mA to 20 mA ± 20 mA	2#0010 2#0011 2#0100

A.14 Parameters of analog IO modules

Parameter

The table below lists all parameters you can set for analog IO modules.

The comparison illustrates the parameters you can edit:

- in *STEP 7*
- using SFC 55 "WR_PARM"

Parameters set in *STEP 7* can also be transferred to the module using SFC 56 and SFC 57 (refer to the *STEP 7* manuals).

Table A- 34 Parameters of analog IO modules

Parameters	Data record number	Programmable, using ...	
		... SFC 55	... PG
Measuring method	1	yes	yes
Measuring range		yes	yes
Integration time		yes	yes
Output type		yes	yes
Output range		yes	yes

Structure of data record 1

The figure below shows the structure of data record 1 for the parameters of analog IO modules.

You enable a parameter by setting a logic "1" at the corresponding bit of byte 0.

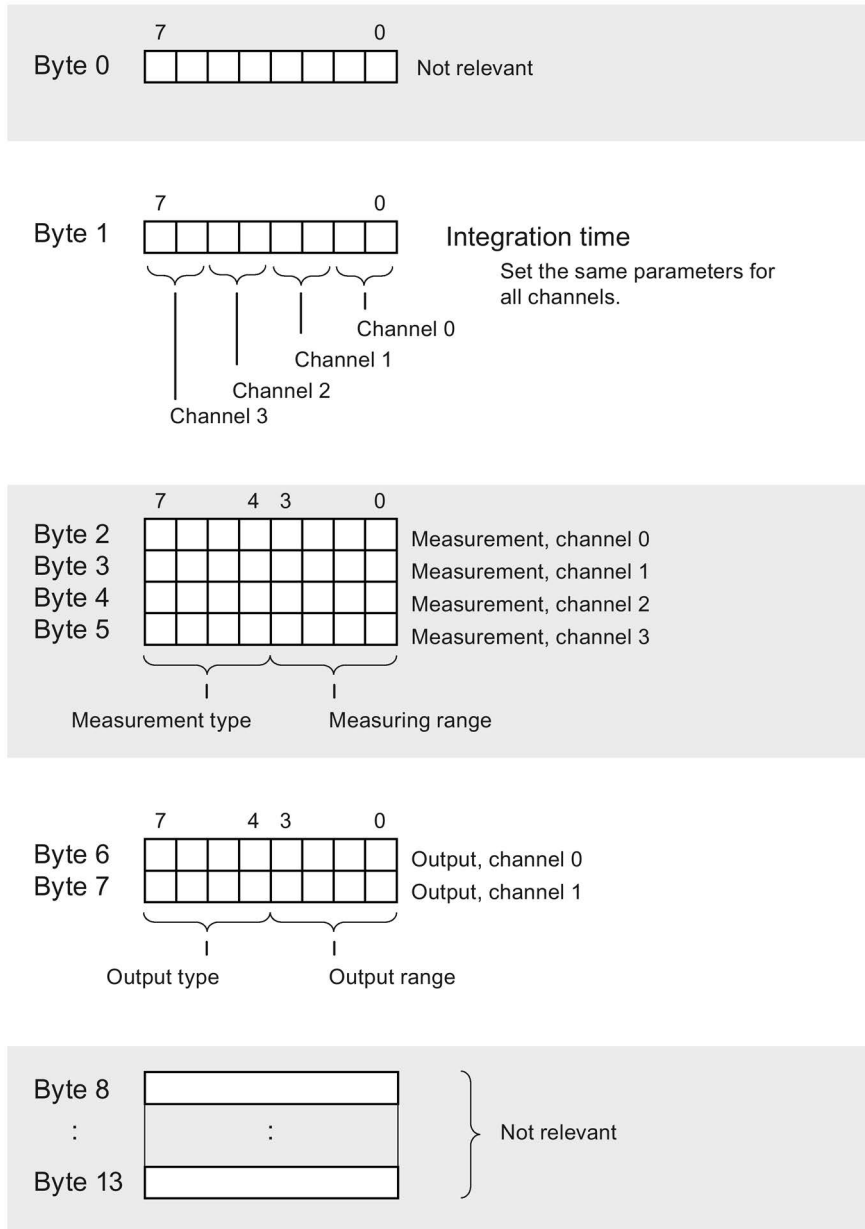


Figure A-27 Data record 1 for the parameters of analog IO modules

Measuring methods and ranges

The table below lists all measuring methods/ranges of analog IO modules, including their codes. Enter these codes at bytes 2 to 5 in data record 1 (refer to the previous figure.)

Table A- 35 Measuring range codes of analog IO modules

Measuring method	Code	Measuring range	Code
disabled	2#0000	disabled	2#0000
Voltage	2#0001	0 V to 10 V	2#1000
Resistance (4-wire connection)	2#0100	10 kΩ	2#1001
Thermal resistance + linearization 4-wire connection	2#1000	Pt 100 Klima	2#0000

Output types and output ranges

The table below lists all output types/ranges of analog IO modules, including their codes. Enter these codes at bytes 6 and 7 of data record 1 (refer to the previous figure.)

Table A- 36 Output range codes of analog IO modules

Output type	Code	Output range	Code
disabled	2#0000	disabled	2#0000
Voltage	2#0001	0 V to 10 V	2#1000

Diagnostics data of signal modules

B.1 Evaluating diagnostic data of signal modules in the user program

Introduction

This appendix describes the diagnostic data structure in system data. You should be sufficiently familiar with this structure if you want to evaluate the diagnostics data of the signal module in the *STEP 7* user program.

Diagnostics data are saved to data records

The diagnostics data for a module is stored in data records 0 and 1.

- Data record 0 contains 4 bytes of diagnostics data describing the current state of the module.
- Data record 1 contains the 4 bytes of diagnostics data also stored in data record 0, **plus** additional module-specific diagnostics data, which describes the status of a channel or a channel group.

Further references

For detailed information on the evaluation of the diagnostics data of signal modules in the user program and on corresponding SFCs, refer to the *STEP 7* manuals.

B.2 Structure and content of diagnostics data, byte 0 and up

Introduction

The section below describes the structure and content of the various bytes in diagnostics data. General rule: A fault is indicated by a logic "1" at the relevant bit.

Bytes 0 and 1 (data records 0 and 1)

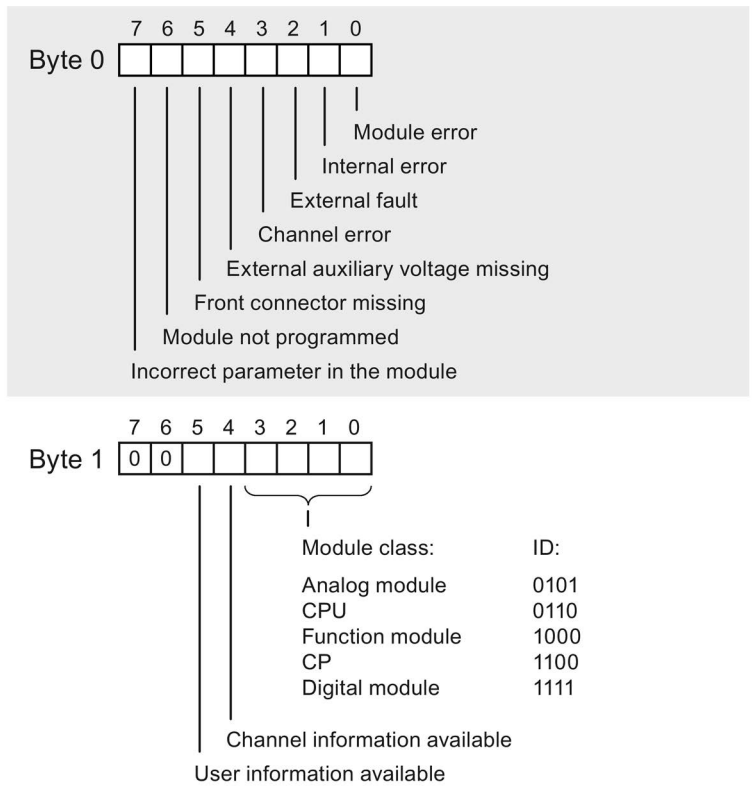


Figure B-1 Bytes 0 and 1 of diagnostics data

Bytes 2 and 3 (data records 0 and 1)

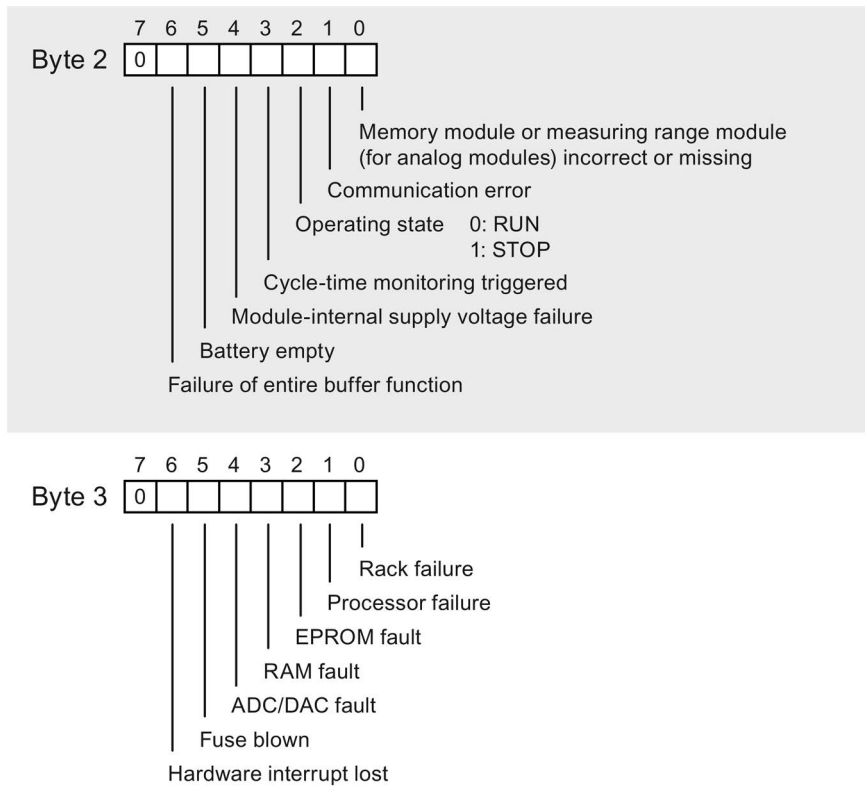


Figure B-2 Bytes 2 and 3 of diagnostics data

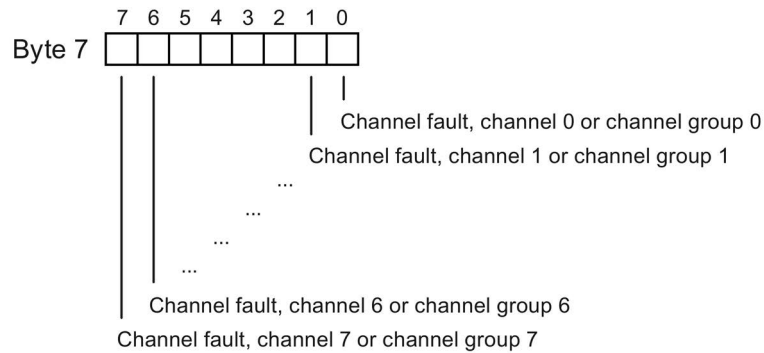
Byte 7 channel fault vector and up (data record 1)

Figure B-4 Byte 7 of diagnostics data

The channel fault vector is at least 1 byte long. For modules with more than 8 channels, the channel fault vector occupies several bytes.

The channel-specific diagnostics data comes after the channel fault vector; refer to section Channel-specific diagnostics data (Page 588).

If another channel type is available (see Figure "Bytes 4 to 6 of diagnostics data"), the channel type with the same structure as that described above (channel type, length of diagnostics data, number of channels of the same type, channel fault vector, channel-specific diagnostics data of the channel type) follows after the channel-specific diagnostics data.

B.3 Channel-specific diagnostics data

Introduction

The channel-specific diagnostic data follow the channel error vector. The number of bytes used per channel for channel-specific diagnostics depends on the number of bits entered in byte 5 "Length of the diagnostic information".

The following figures show the assignment of the diagnostic byte for a channel or a channel group of the special module. The following generally applies: When an error occurs, the corresponding bit is set to "1".

A description of possible causes of the fault and corresponding corrective measures can be found in the section "Diagnostics of the modules".

Digital input channel of the SM 321; DI 16 x 24 V DC; with process and diagnostic interrupt

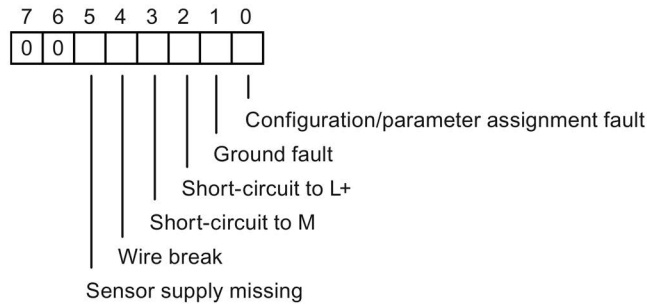


Figure B-5 Diagnostic byte for a digital input channel der SM 321; DI 16 x DC 24 V

Digital output channel of the SM 322; DO DC 8 x 24 V/0.5 A; with diagnostic interrupt

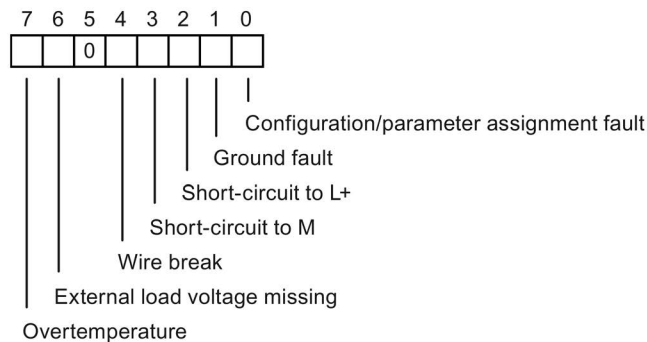


Figure B-6 Diagnostic byte for a digital output channel of the SM 322; DO DC 8 x 24 V/0.5 A

Analog input channel of the SM 331 module with diagnostic capability

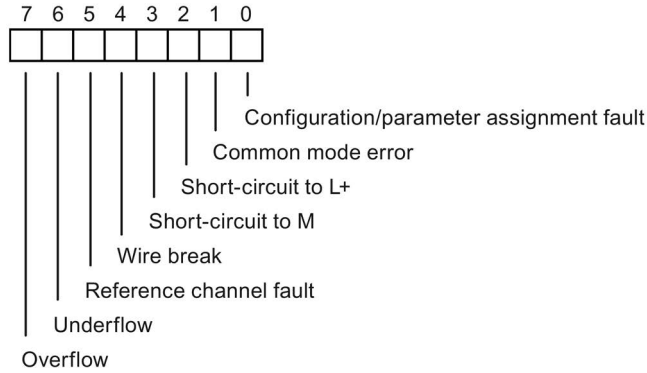


Figure B-7 Diagnostic byte for an analog input channel of an SM 331 with diagnostic capability

Analog output channel of the SM 332 module with diagnostic capability

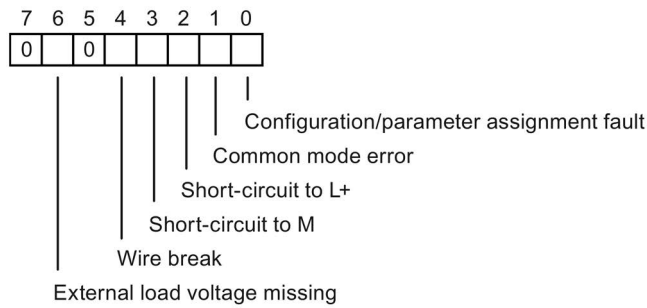


Figure B-8 Diagnostic byte for an analog output channel of an SM 332 with diagnostic capability

B.4 Diagnosis data from the SM 322; DO 16 x DC24 V/0.5 A (6ES7322-8BH10-0AB0)

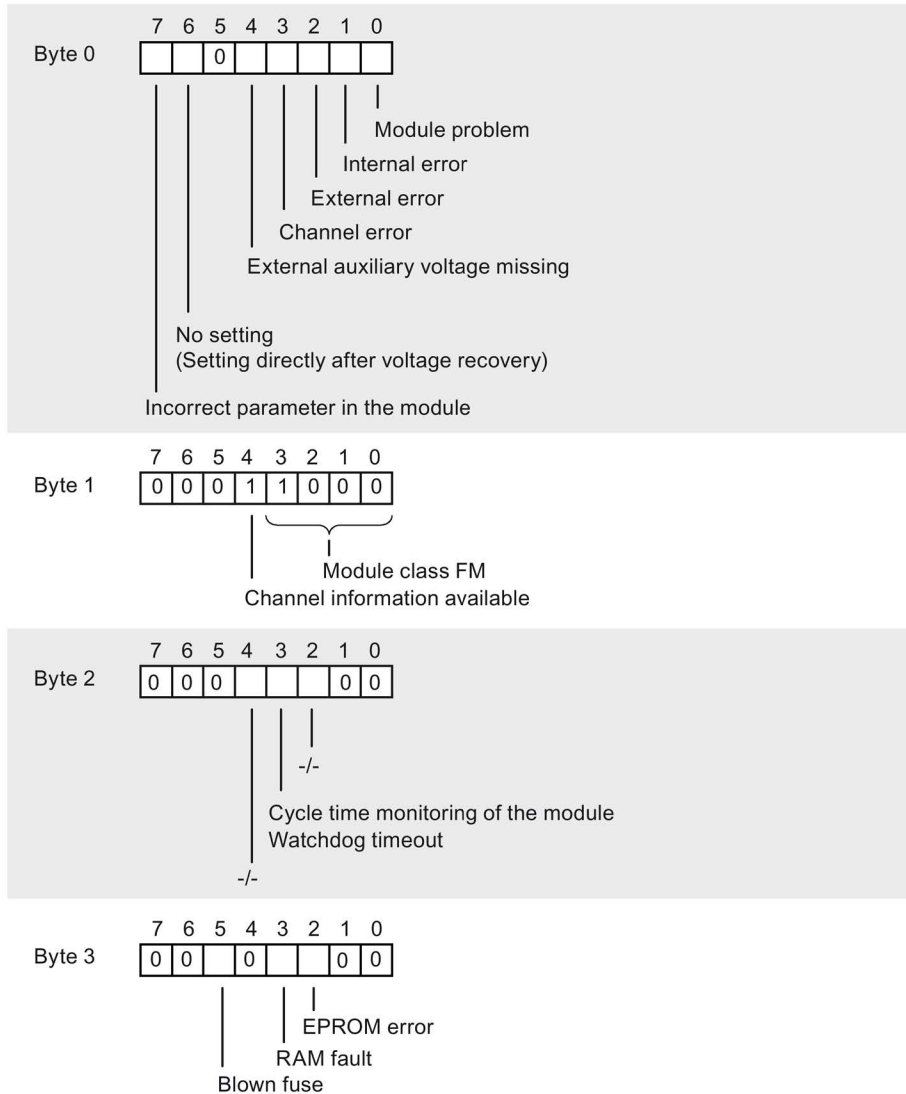
Introduction

The section below describes the structure and content of the various bytes in diagnostics data. In the bytes 0...3, module errors are reported - errors that affect the entire module. Starting at byte 4, channel-specific errors are reported.

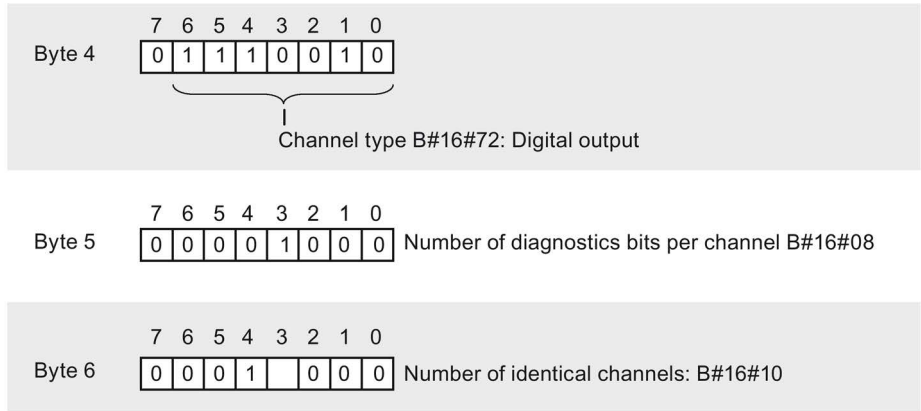
General rule: A fault is indicated by a logic "1" at the relevant bit.

Byte 0 to byte 3 (diagnostic data records 0 and 1)

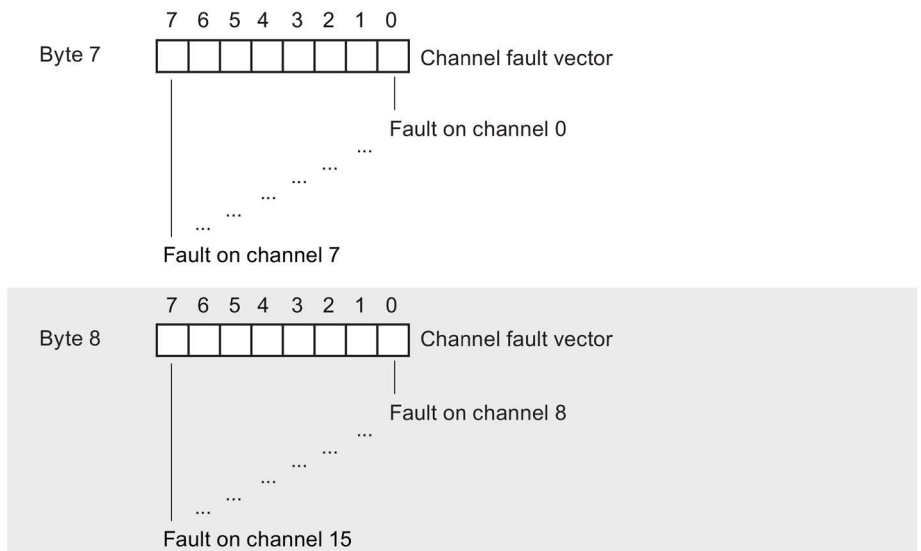
Through entries in the diagnostic bytes byte 0 (bit 4...7) byte 2 and byte 3, module errors are reported, which cannot be turned off through the setting of the module.



Byte 4 to byte 6 infoblock (diagnostic data record 1)

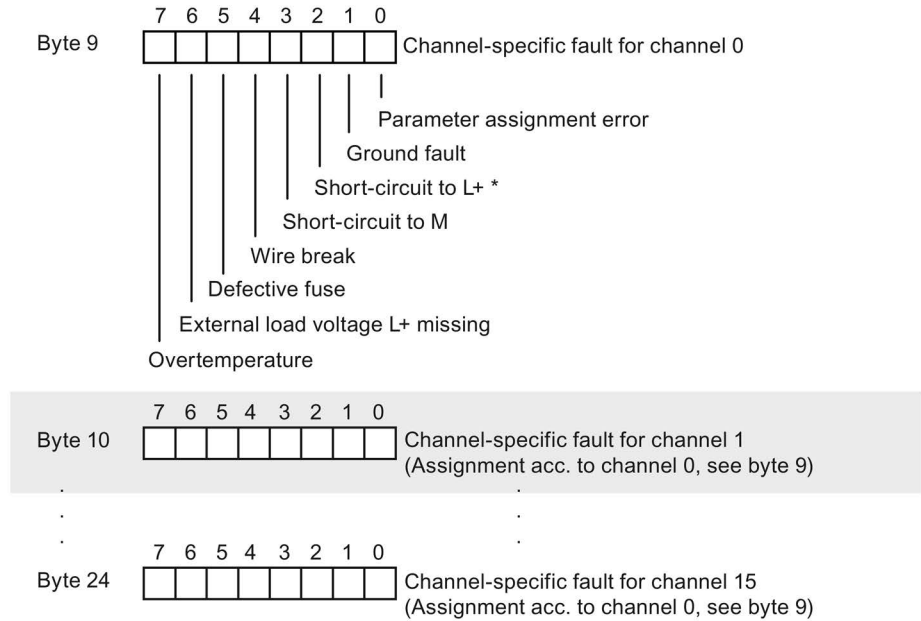


Byte 7 and 8 channel error vector (Diagnostic data record 1)



Byte 9 to byte 24 cable diagnostics (diagnostic data record 1)

Through byte 9 to byte 24 channel-specific errors are reported.



* Not with redundant use

B.5 Diagnostics data of SM 331; AI 6 x TC isolated

Introduction

The section below describes the structure and content of the various bytes in diagnostics data. General rule: A fault is indicated by a logic "1" at the relevant bit.

Byte 0 to byte 3 (diagnostic data records 0 and 1)

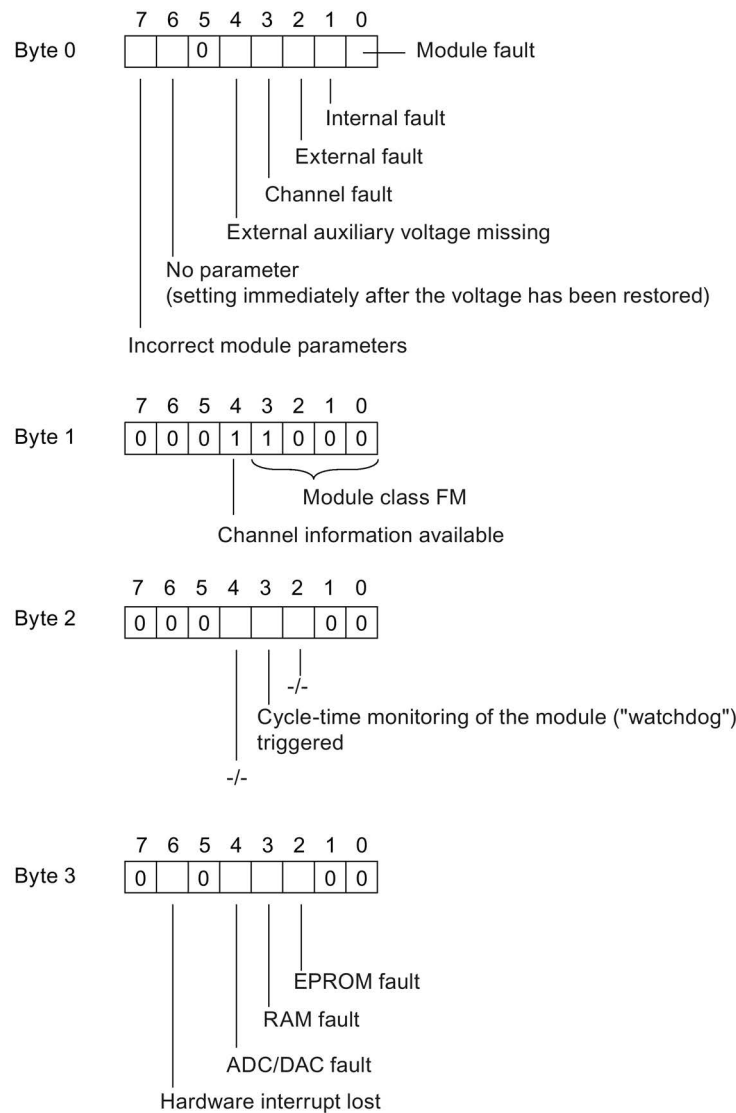


Figure B-9 Diagnostic data records 0 and 1

Byte 4 to byte 13 (diagnostic data record 1)

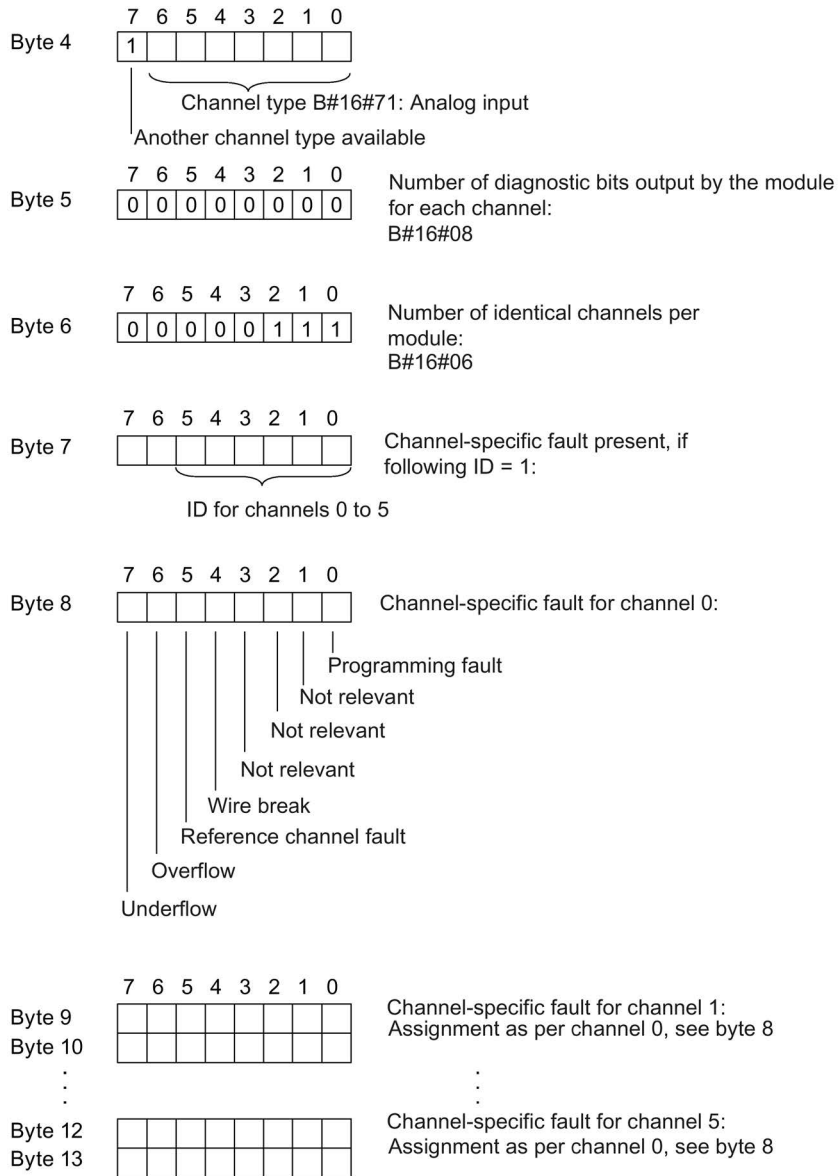


Figure B-10 Diagnostic data record 1

Byte 14 to byte 23 (diagnostic data record 1)

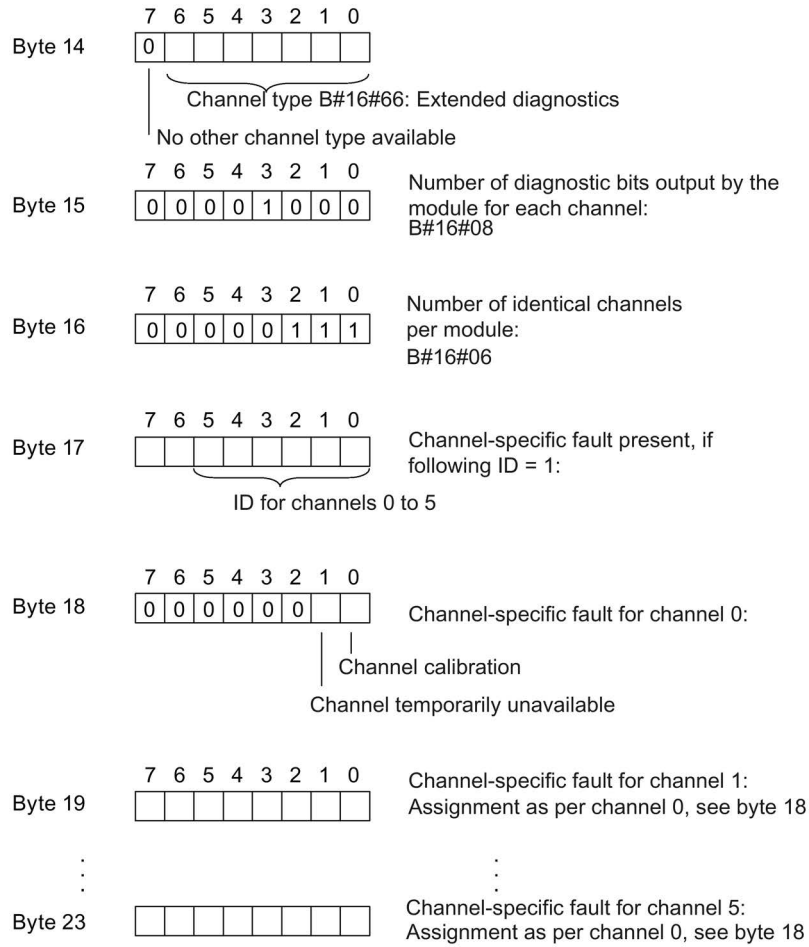


Figure B-11 Diagnostic data record 1 (continued)

B.6 Diagnostics data of SM 338; POS-INPUT

Introduction

The next section describes the structure and contents of the various bytes in diagnostic data of the position detection module SM 338; POS-INPUT. General rule: A fault is indicated by a logic "1" at the relevant bit.

You will find a description of possible causes of problems and appropriate remedies in the section titled *Position detection module SM 338; POS-INPUT*.

Bytes 0 and 1

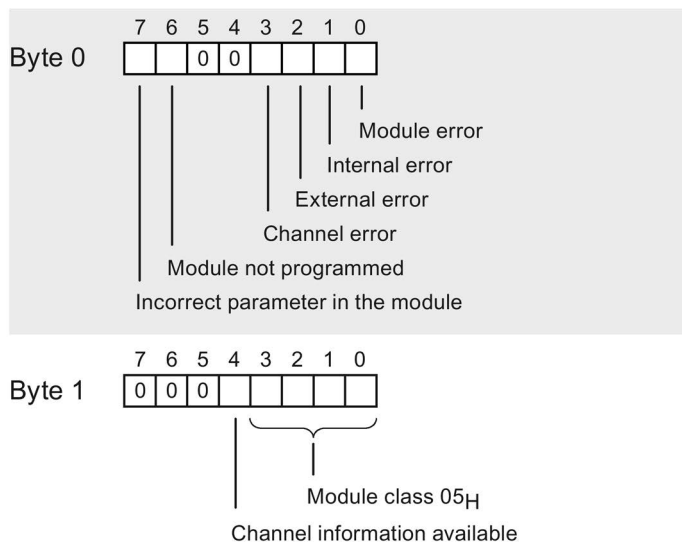


Figure B-12 Bytes 0 and 1 in diagnostics data of SM 338; POS-INPUT

Bytes 2 to 7

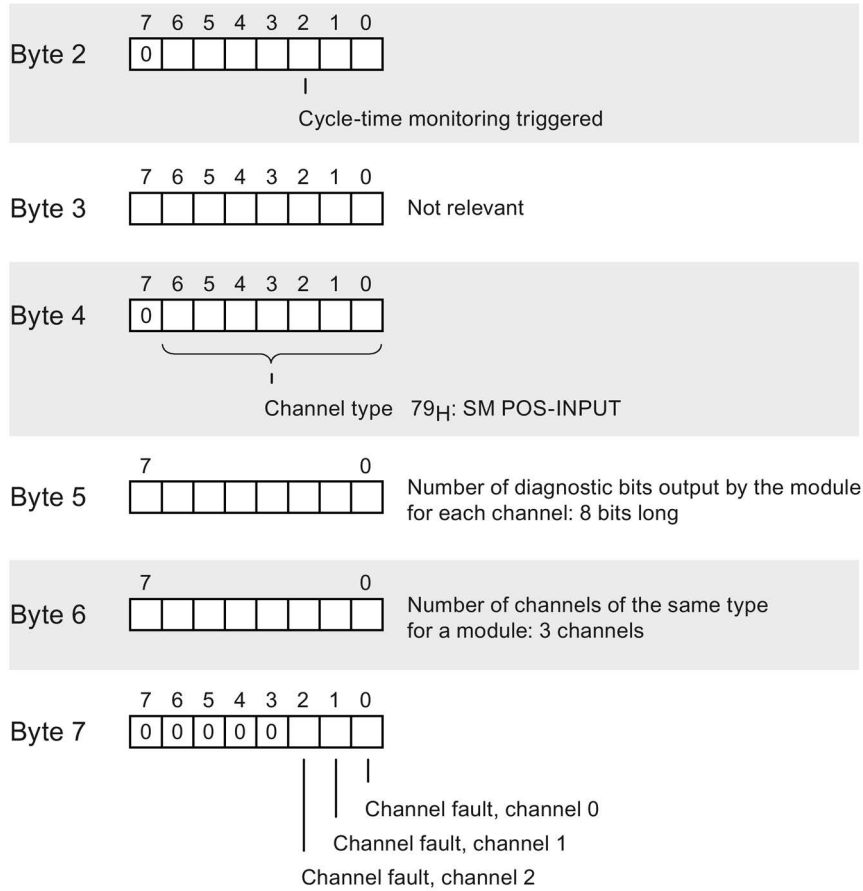


Figure B-13 Bytes 2 and 7 in diagnostics data of SM 338; POS-INPUT

Bytes 8 to 10

Data record 1 contains the channel-specific diagnostic data, starting at bytes 8 to 10. The figure below shows the assignment of the diagnostic byte for a channel of SM 338; POS-INPUT.

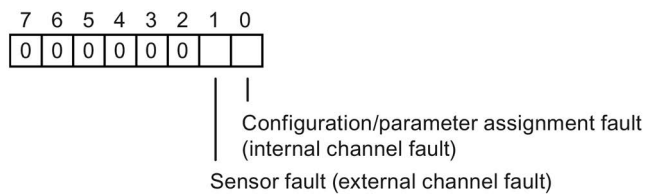


Figure B-14 Diagnostics byte for a channel of SM 338; POS-INPUT

Dimensional drawings

Introduction

This appendix contains the dimensional drawings of the most important components of an S7-300. The specified dimensions are required to determine the dimensions of an S7-300 configuration. Make allowances for the dimensions of an S7-300 configuration when you install the system in cabinets, control rooms, etc. This appendix does not include the dimensional drawings of S7-300 or M7-300 CPUs, or of IM 153-1. These are included in the relevant manuals.

Contents

This appendix contains the dimensional drawings of the S7-300 components listed below.

- Mounting rails
- Power supply modules
- Interface modules
- Signal modules
- Accessories

C.1 Dimensional drawings of the mounting rails

Standard mounting rail 483 mm

The figure below shows the dimensional drawing of the 483 mm standard rail.

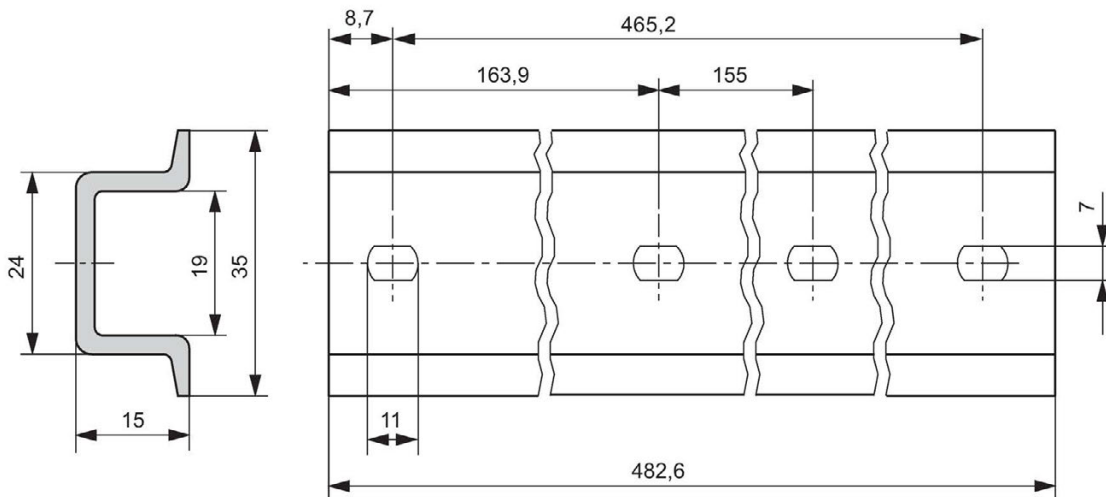


Figure C-1 Dimensional drawing of the 483 mm standard rail

Standard mounting rail 530 mm

The figure below shows the dimensional drawing of the 530 mm standard rail.

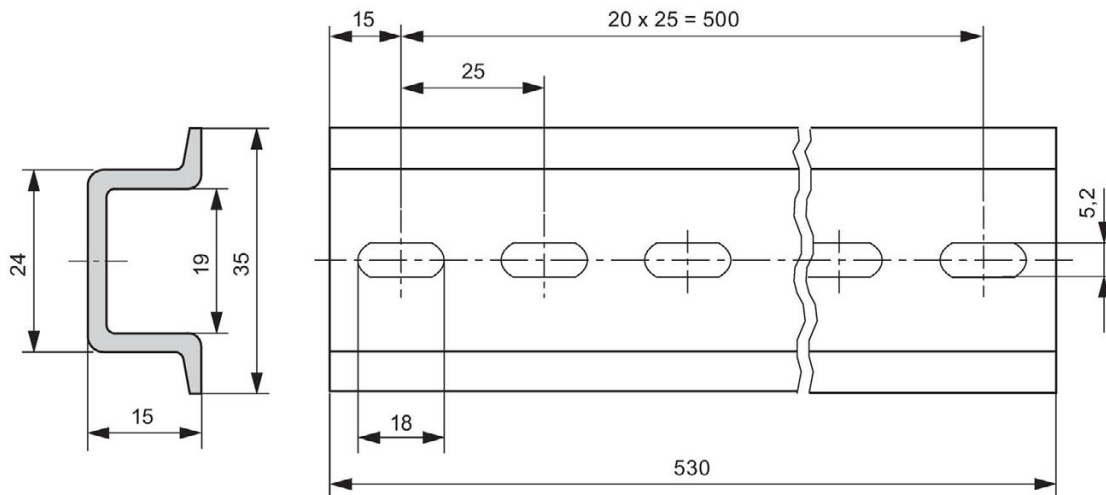


Figure C-2 Dimensional drawing of the 530 mm standard rail

Standard mounting rail 830 mm

The figure below shows the dimensional drawing of the 830 mm standard rail.

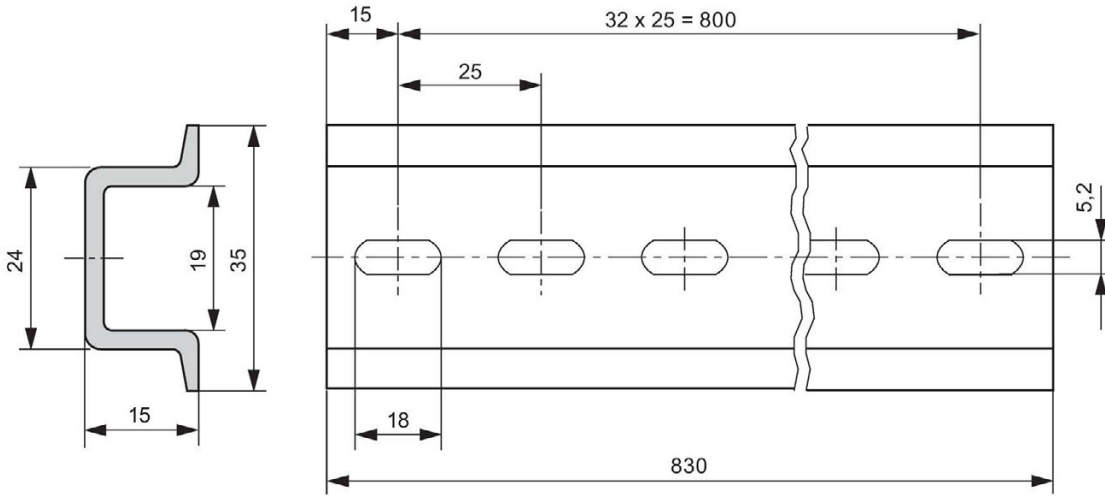


Figure C-3 Dimensional drawing of the 830 mm standard rail

Standard mounting rail 2000 mm

The figure below shows the dimensional drawing of the 2000 mm standard rail.

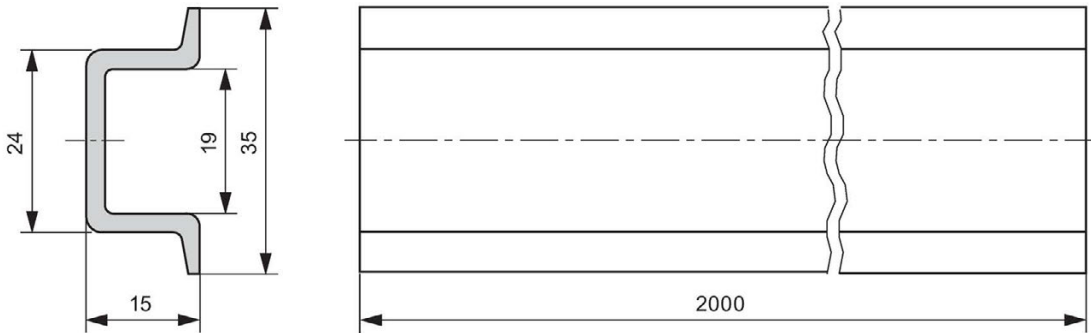


Figure C-4 Dimensional drawing of the 2000 mm standard rail

Mounting rail 160 mm

The figure below shows the dimensional drawing of the 160 mm mounting rail.

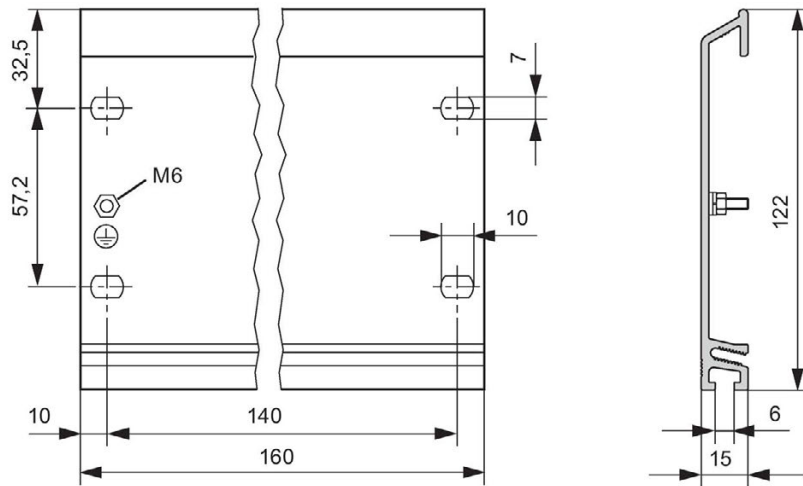


Figure C-5 Dimensional drawing of the mounting rail with standard width of 160 mm.

Mounting rail 482.6 mm

The figure below shows the dimensional drawing of the 482.6 mm mounting rail.

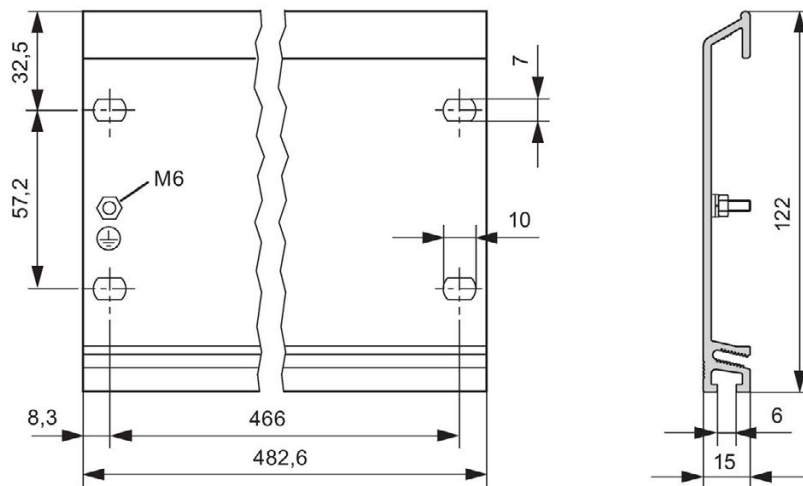


Figure C-6 Dimensional drawing of the mounting rail with standard width of 482.6 mm.

Mounting rail 530 mm

The figure below shows the dimensional drawing of the 530 mm mounting rail.

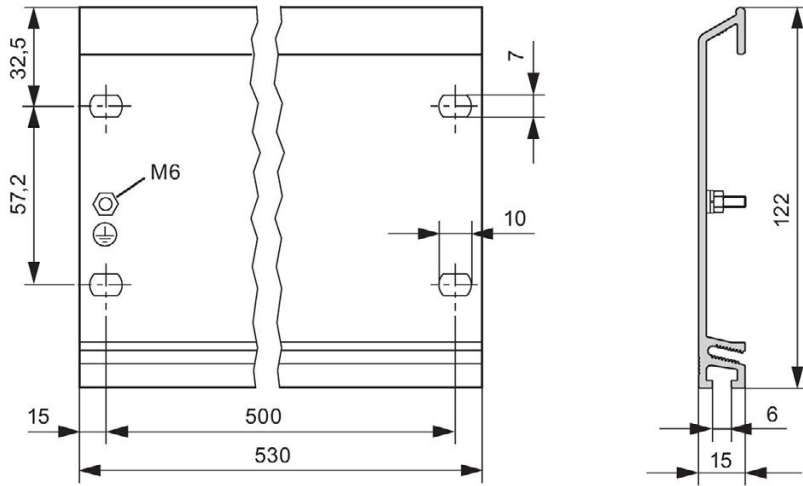


Figure C-7 Dimensional drawing of the mounting rail with standard width of 530 mm.

Mounting rail 830 mm

The figure below shows the dimensional drawing of the 830 mm mounting rail.

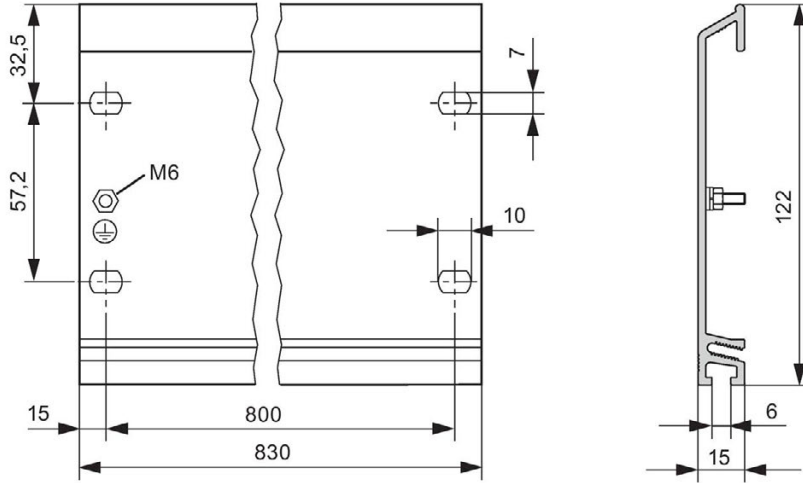


Figure C-8 Dimensional drawing of the mounting rail with standard width of 830 mm.

Mounting rail 2000 mm

The figure below shows the dimensional drawing of the 2000 mm mounting rail.

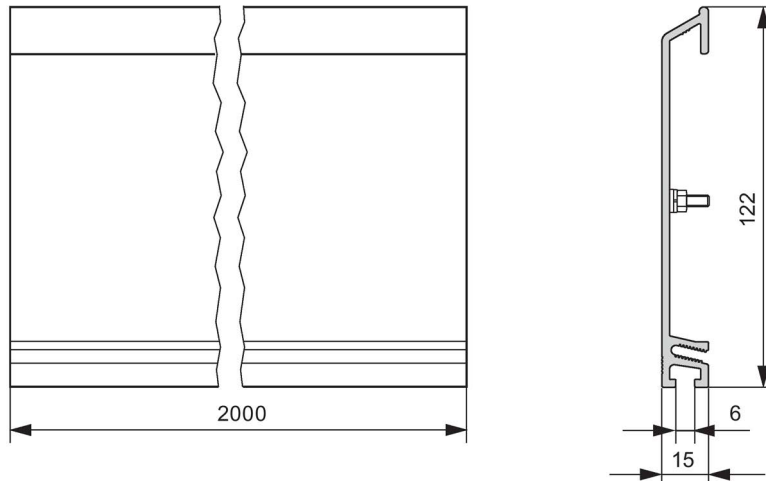
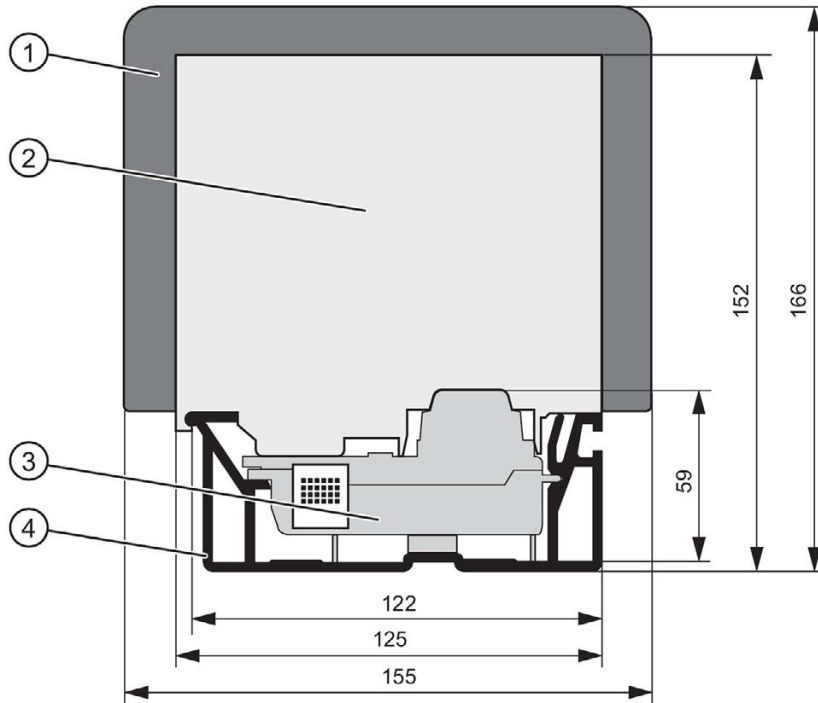


Figure C-9 Dimensional drawing of the 2000 mm mounting rail

Mounting rail for the "Insertion and Removal" function

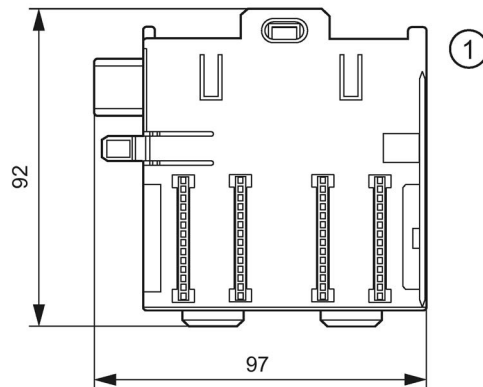
The figure below shows the dimensional drawing of the mounting rail for the "Insertion and Removal" function with active bus module, S7-300 module and explosion-proof partition. The mounting rail has a length of 482.6 mm or 530 mm.



- ① Explosion-proof partition
- ② S7-300 module
- ③ active bus module
- ④ Mounting rail for the "Insertion and Removal" function

C.1.1 Bus modules

The figure below shows the dimension drawing of the active bus module for the "Insertion and Removal" function.



- ① Bus modules
- BM PS/IM (...7HA)
 - BM IM/IM (...7HD)
 - BM 2 x 40 (...7HB)
 - BM 1 x 80 (...7HC)

C.2 Dimensional drawings of the power supply modules

PS 307 2 A

The drawing below shows the dimensions of power supply module PS 307; 2 A.

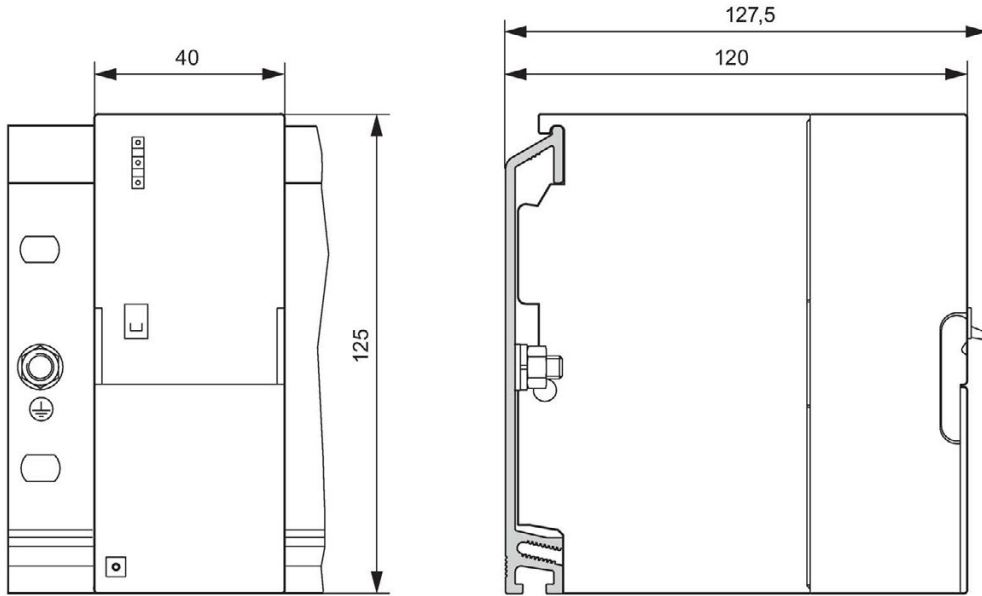


Figure C-10 Power supply module PS 307; 2 A

PS 307 5 A (6ES7307-1EA01-0AA0)

The drawing below shows the dimensions of power supply module PS 307; 5 A.

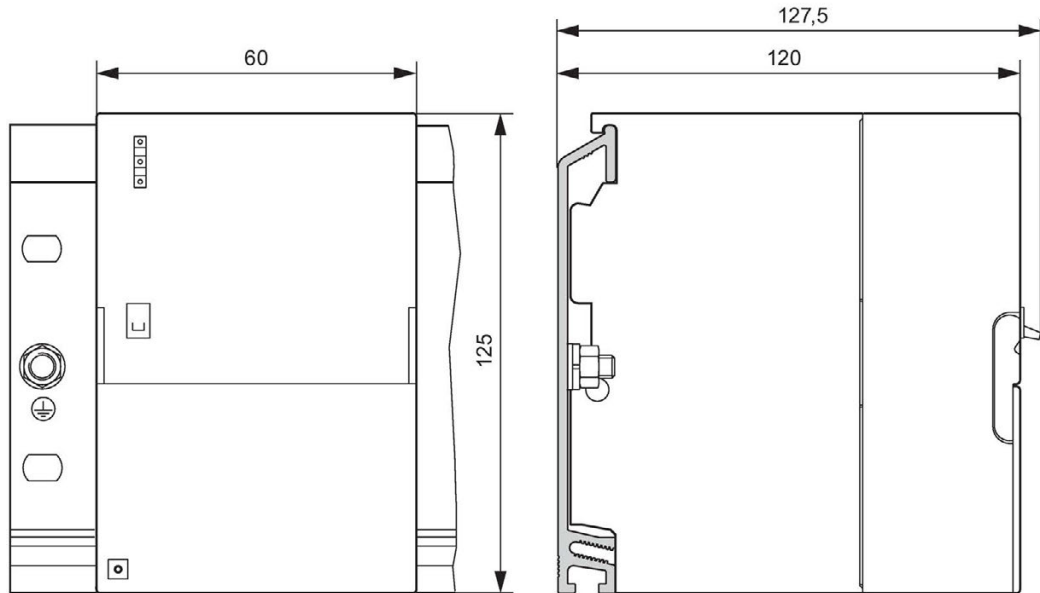


Figure C-11 Power supply module PS 307; 5 A

PS 307; 10 A with 313/314/315/ 315-2 DP CPU

The figures below show the dimensional drawings of a configuration consisting of a power supply module PS 307; 10 A and a 313/314/315/315-2 DP CPU. Observe the dimensions derived from the use of a power connector when wiring the PS 307; 10 A to the CPU.

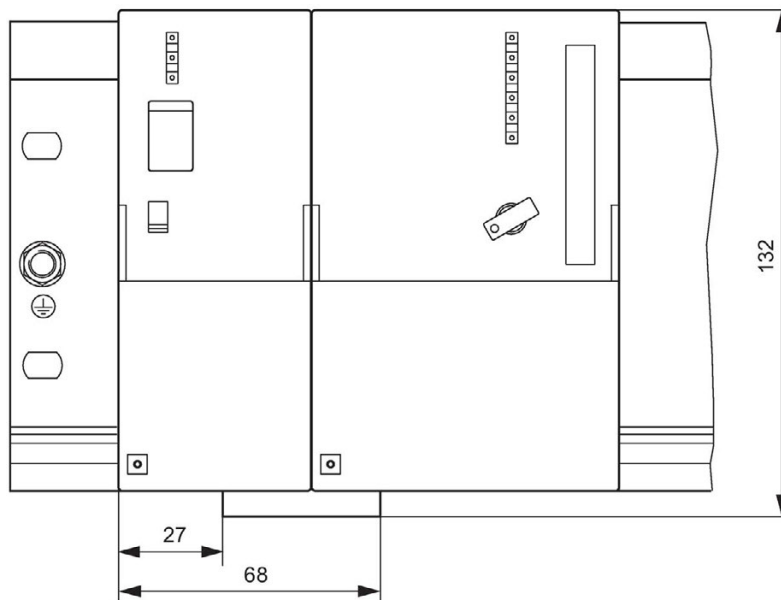


Figure C-12 Dimensional drawing of power supply module PS 307; 10 A with CPU 313/314/315/315-2 DP, front view

PS 307; 10 A with 313/314/315/ 315-2 DP CPU

The side view drawing below shows the dimensions of power supply module PS 307; 10 A with 313/314/315/315-2 DP CPU.

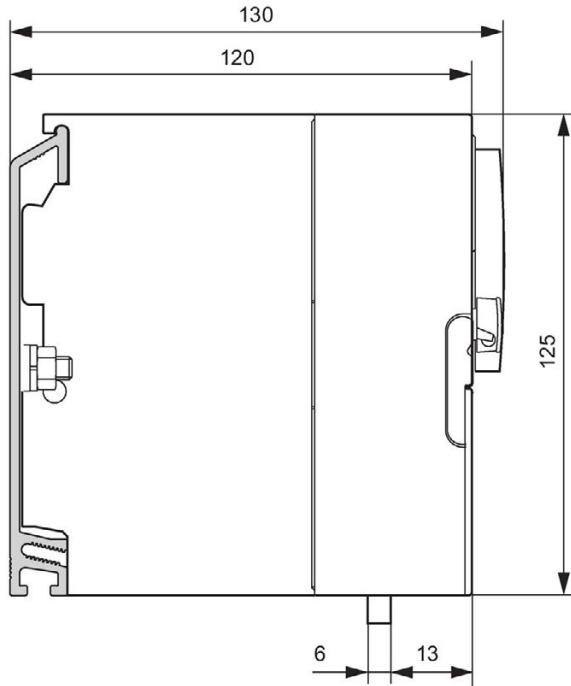


Figure C-13 Dimensional drawing power supply module PS 307; 10 A with CPU 313/314/315/315-2 DP, side view

PS 305 2 A, PS 307 5 A (6ES7307-1EA80-0AA0) and PS 307 10 A

The following image shows the drawing of the power supply modules PS 305; 2 A, PS 307 5 A and PS 307; 10 A.

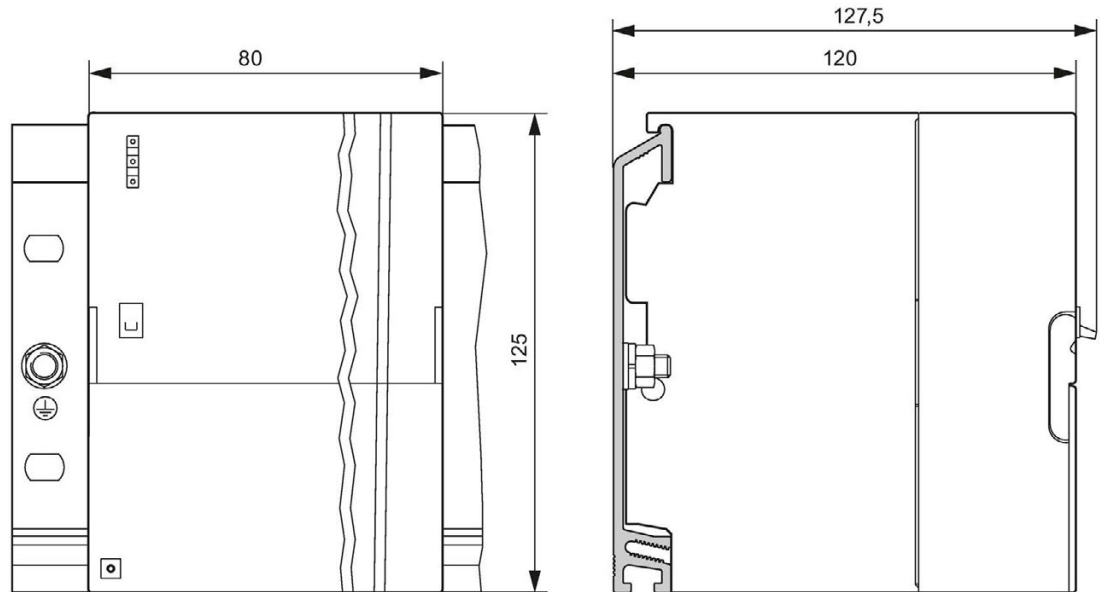


Figure C-14 Power supply module PS 307; 10 A

C.3 Dimensional drawings of the interface modules

IM 360

The figure below shows the dimensional drawing of interface module IM 360.

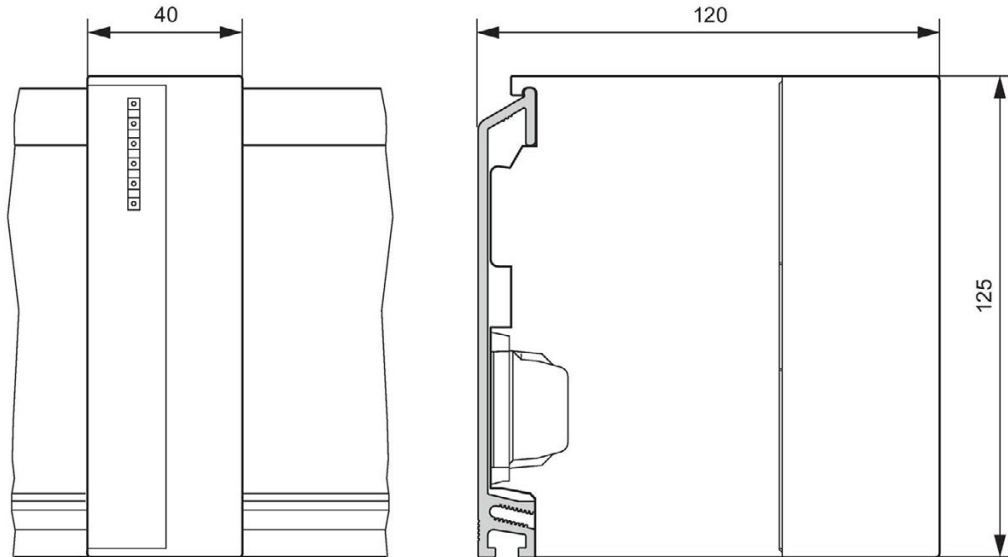


Figure C-15 Interface module IM 360

IM 361

The figure below shows the dimensional drawing of interface module IM 361.

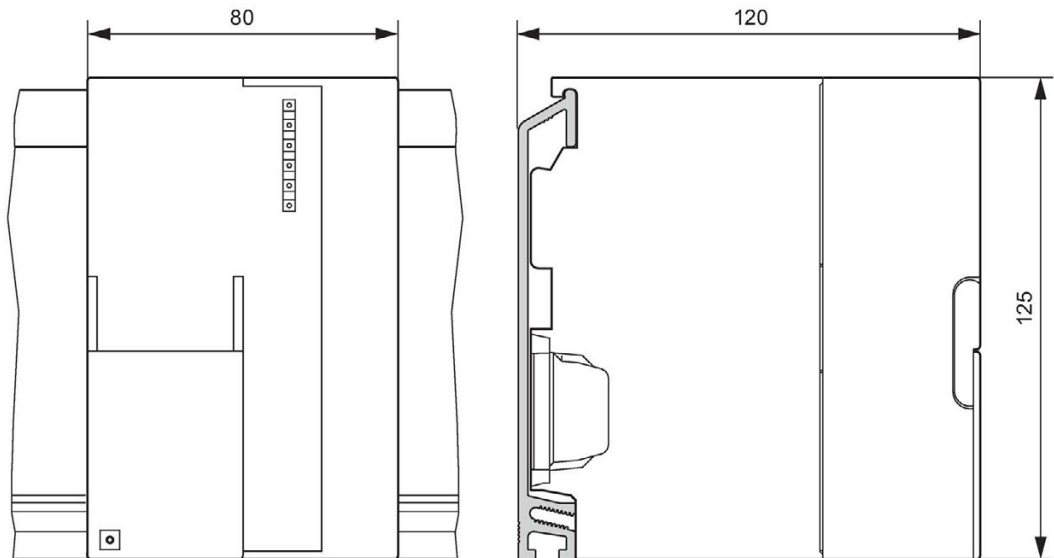


Figure C-16 Interface module IM 361

IM 365

The figure below shows the dimensional drawing of interface module IM 365.

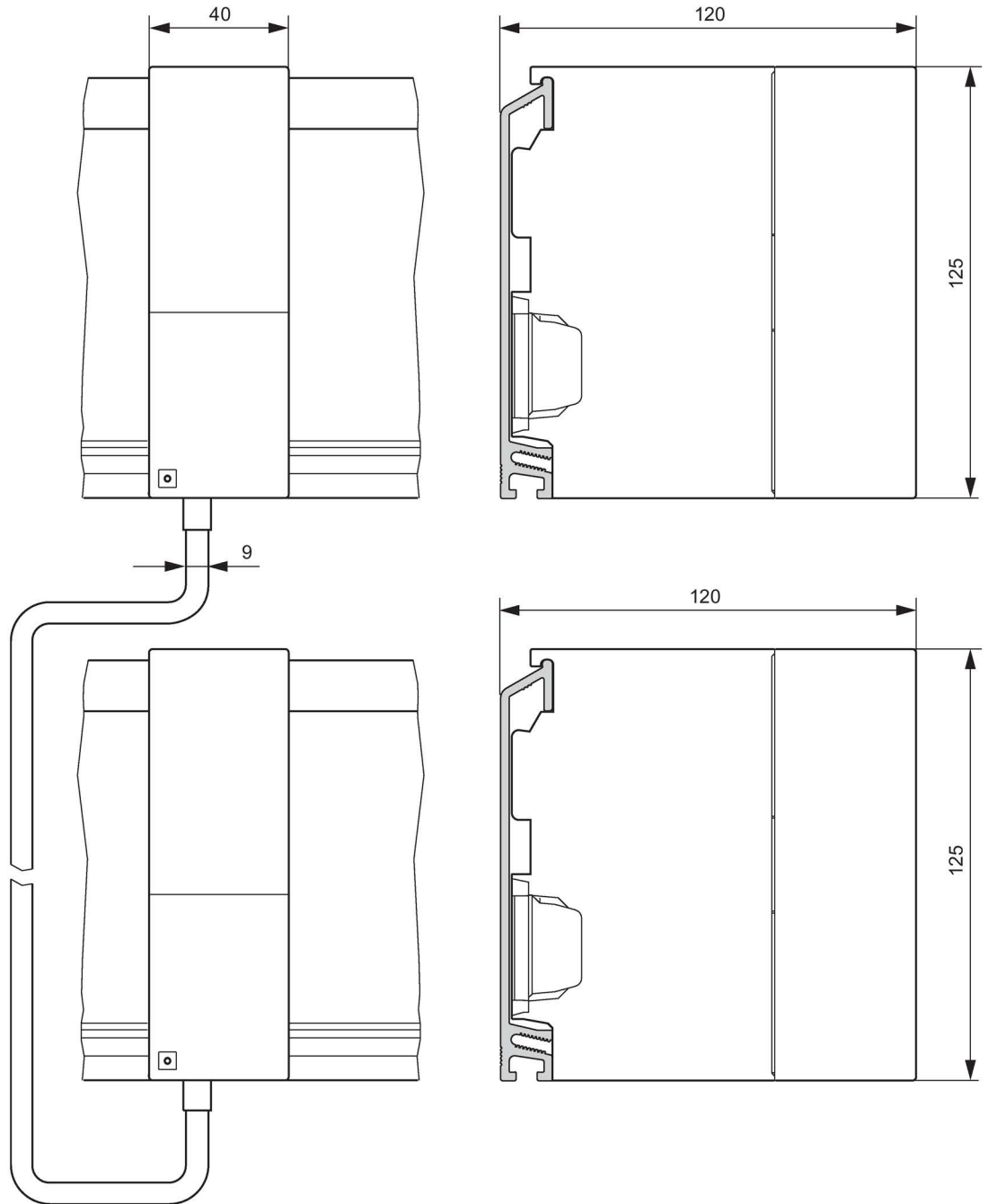
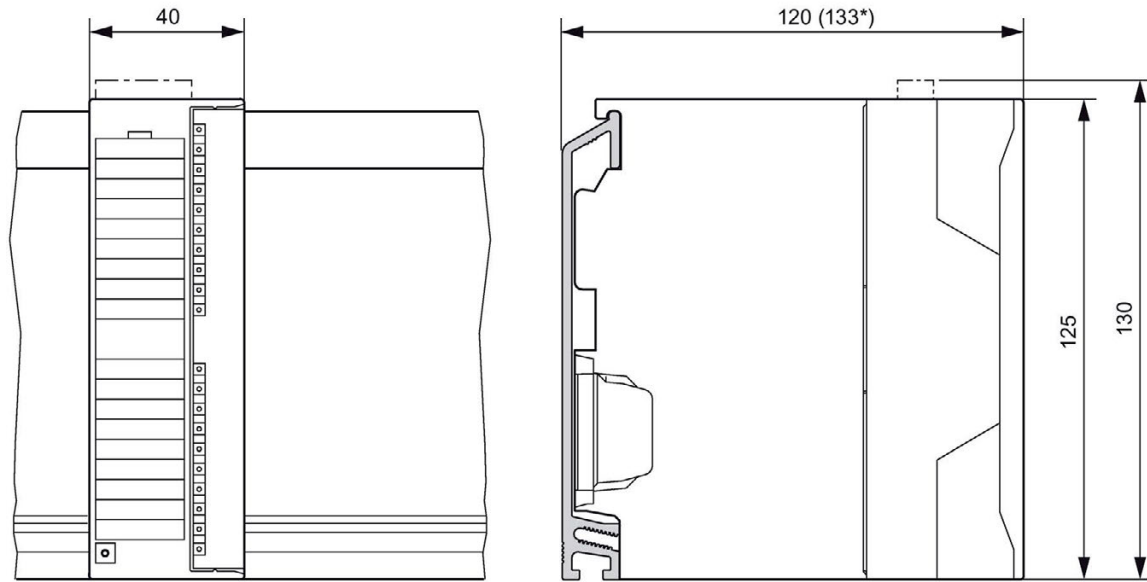


Figure C-17 Interface module IM 365

C.4 Dimensional drawings of the signal modules

Signal module

The figure below shows the dimensional drawing of the signal module.
The signal module design may differ. The specified dimensions are always the same.



* With front door, elevated design

Figure C-18 Signal module

64-channel signal module

The figure below shows the dimension drawing for 64-channel I/O modules.

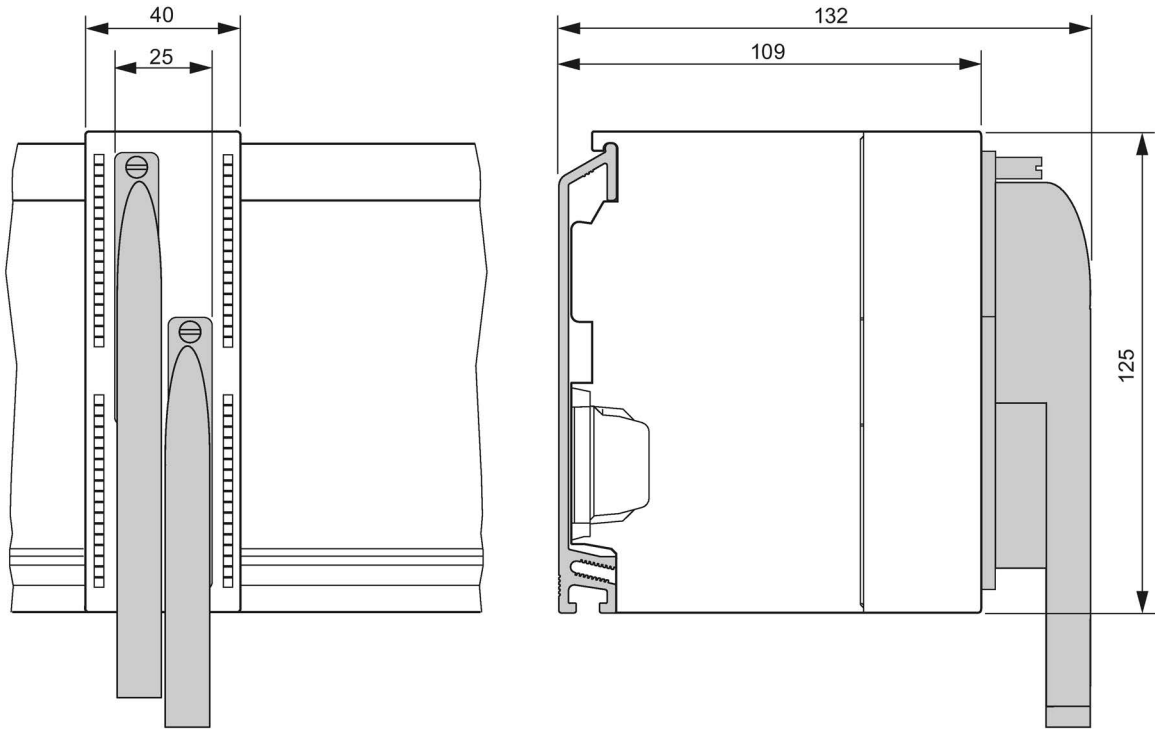


Figure C-19 64-channel signal module

C.5 Dimensional drawings of accessories

Shield connection element

The figure below shows the dimensional drawing of the shield connecting element used two signal modules.

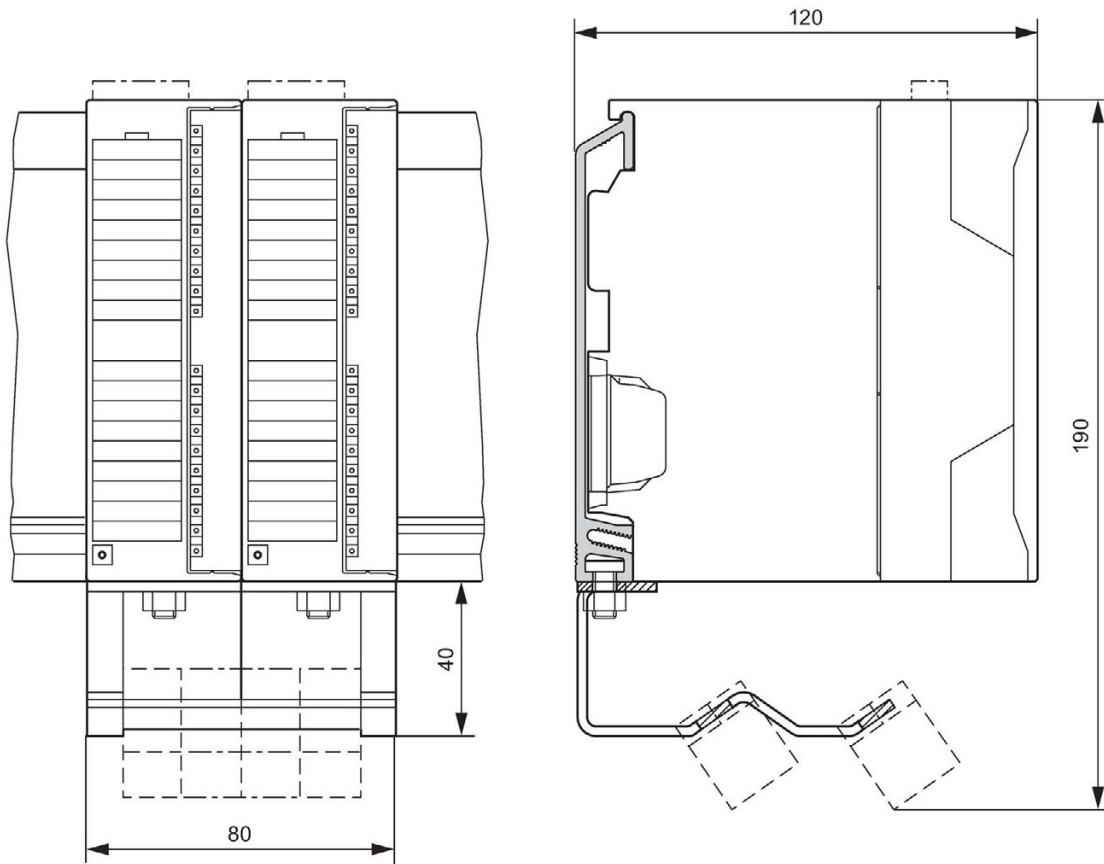


Figure C-20 2 signal modules with shield connecting element

40-pin terminal block

The figure below shows the dimension drawing of the 40-pin terminal block for 64-channel signal modules.

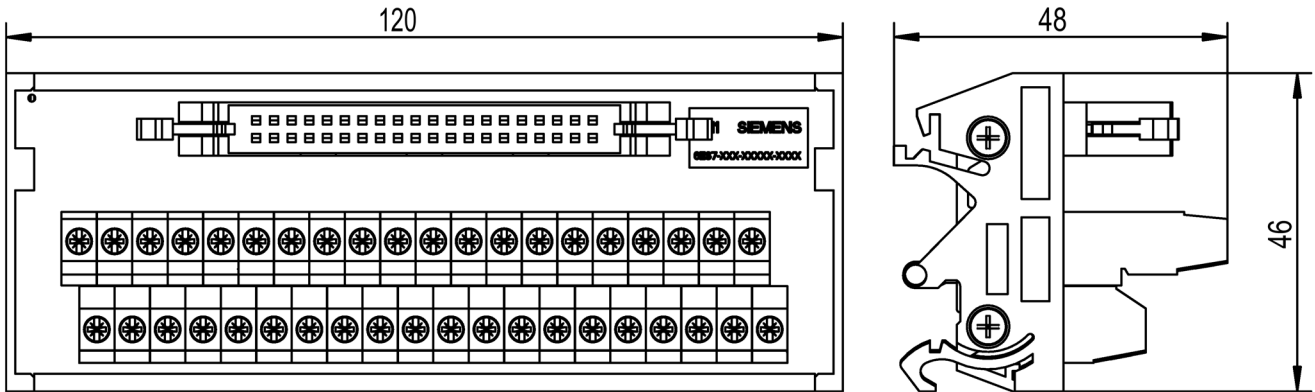


Figure C-21 40-pin terminal block

Spare parts and accessories for S7-300 modules

Spare parts

The table below lists the S7-300 parts you can order separately or later.

Table D- 1 Accessories and spare parts

S7-300 parts	Order number
Bus connector	6ES7390-0AA00-0AA0
Connection comb between power supply and CPU (older generation, before 2003)	6ES7390-7BA00-0AA0
Labeling strips for <ul style="list-style-type: none"> Modules with 20-pin front connector: <ul style="list-style-type: none"> (petrol) (light beige) (yellow) (red) 	6ES7392-2AX00-0AA0 6ES7392-2BX00-0AA0 6ES7392-2CX00-0AA0 6ES7392-2DX00-0AA0
Labeling strips for <ul style="list-style-type: none"> Modules with 40-pin front connector: <ul style="list-style-type: none"> (petrol) (light beige) (yellow) (red) 	6ES7392-2AX10-0AA0 6ES7392-2BX10-0AA0 6ES7392-2CX10-0AA0 6ES7392-2DX10-0AA0
<ul style="list-style-type: none"> Instructions for printing labeling strips using print templates 	On the Internet (http://www.siemens.com/automation/service&support) Entry ID: 11978022
Slot number plate	6ES7912-0AA00-0AA0
Front connector 20-pin <ul style="list-style-type: none"> Screw terminal technology (1 unit) Screw technology (100 units) Spring clamp technology (1 unit) Spring clamp technology (100 units) 	6ES7392-1AJ00-0AA0 6ES7392-1AJ00-1AB0 6ES7392-1BJ00-0AA0 6ES7392-1BJ00-1AB0
Front connector 40-pin <ul style="list-style-type: none"> Screw technology (1 unit) Screw technology (100 units) Spring clamp technology (1 unit) Spring clamp technology (100 units) 	6ES7392-1AM00-0AA0 6ES7392-1AM00-1AB0 6ES7392-1BM01-0AA0 6ES7392-1BM01-1AB0

S7-300 parts	Order number
Front connector for 2 ribbon cable connections <ul style="list-style-type: none"> • screw terminal technology • Spring clamp technology 	6ES7921-3AB00-0AA0 6ES7921-3AA00-0AA0
Front connector for 4 ribbon cable connections <ul style="list-style-type: none"> • Spring clamp technology 	6ES7921-3AA20-0AA0
Round-sheath ribbon cable (16-pole) <ul style="list-style-type: none"> • Unshielded 30 m • Unshielded 60 m • Shielded 30 m • Shielded 60 m 	6ES7923-0CD00-0AA0 6ES7923-0CG00-0AA0 6ES7923-0CD00-0BA0 6ES7923-0CG00-0BA0
Connectors, 16-pin, set of 8 (insulation displacement terminals)	6ES7921-3BE10-0AA0
Shield connection element	6ES7390-5AA00-0AA0
Shield terminal element for <ul style="list-style-type: none"> • 2 cables, each with a shield diameter of 2 to 6 mm • 1 cable with a shield diameter of 3 to 8 mm • 1 cable with a shield diameter of 4 to 13 mm 	6ES7390-5AB00-0AA0 6ES7390-5BA00-0AA0 6ES7390-5CA00-0AA0
Measuring range module for analog modules	6ES7974-0AA00-0AA0
Fuse set for digital output modules - 6ES7322-1FF01-0AA0 - 6ES7322-1FH00-0AA0 - 6AG1322-1FF01-2AA0 (contains 10 fuses and 2 fuse holders)	6ES7973-1HD00-0AA0
Fuse set for digital output module <ul style="list-style-type: none"> • 6ES7322-1CF00-0AA0 (contains 10 fuses) 	6ES7973-1GC00-0AA0
Connecting cable for IM 360 and IM 361, or IM 361 and IM 361 <ul style="list-style-type: none"> • 1 m • 2.5 m • 5 m • 10 m 	6ES7368-3BB01-0AA0 6ES7368-3BC51-0AA0 6ES7368-3BF01-0AA0 6ES7368-3CB01-0AA0
Connecting cable between the 64-channel modules: SM 321, 6ES7321-1BP00-0AA0 sinking/sourcing, SM 322, 6ES7322-1BP00-0AA0 sourcing, SM 322, 6ES7322-1BP50-0AA0 sinking and 40-pin terminal block (screw terminal, spring clamp technology) <ul style="list-style-type: none"> • 1.0 m • 2.5 m • 5.0 m 	6ES7392-4BB00-0AA0 (2 units) 6ES7392-4BC50-0AA0 (2 units) 6ES7392-4BF00-0AA0 (2 units)

S7-300 parts	Order number
Terminal block 40-pin for 64-channel modules <ul style="list-style-type: none">• Screw terminal technology• Spring clamp technology	6ES7392-1AN00-0AA0 (2 units) 6ES7392-1BN00-0AA0 (2 units)
Front door, elevated design for 32-channel modules (5 units) incl. labeling strips and connection diagram	6ES7328-0AA00-7AA0

Information about front connector selection

You can find more information on front connector selection for the various SIMATIC S7-300 modules on the Internet (<http://support.automation.siemens.com/WW/view/en/23060726>).

Directive on handling Electrostatic-Sensitive Devices (ESD)



Introduction

In this appendix, we explain

- the meaning of "electrostatic-sensitive devices"
- the precautions you must take when handling and working with electrostatic sensitive modules.

E.1 Definition of ESD

Definition

All electronic modules are equipped with large-scale integrated ICs or components. Due to their design, these electronic elements are highly sensitive to overvoltage, and thus to any electrostatic discharge.

These **E**lectrostatic **S**ensitive **D**evices/**M**odules are commonly abbreviated **ESD**. The common international designation **ESD** stands for **E**lectrostatic **S**ensitive **D**evice.

ESD modules are identified by the following symbol:



CAUTION

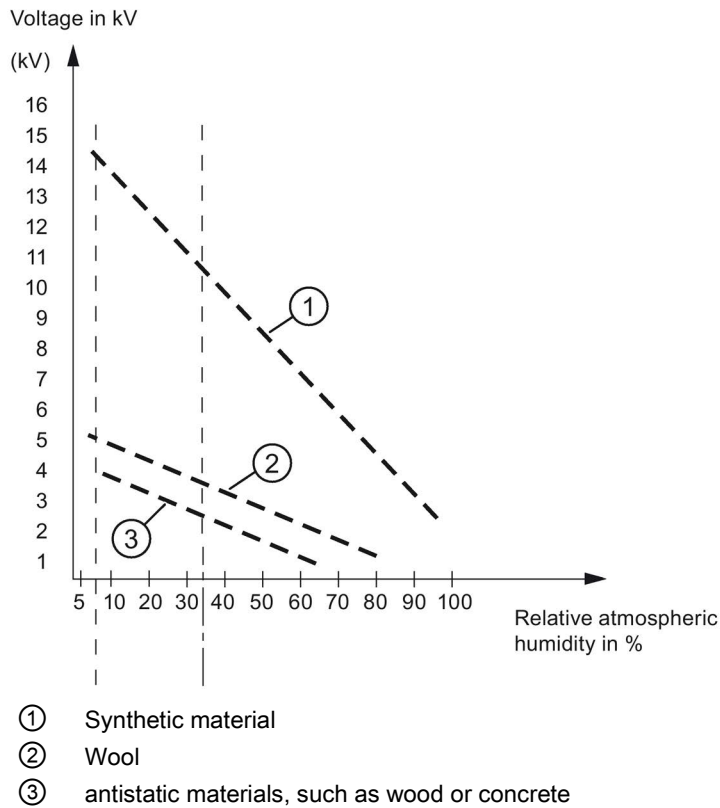
ESD devices can be destroyed by voltages well below the threshold of human perception. These static voltages develop when you touch a component or electrical connection of a device without having drained the static charges present on your body. The electrostatic discharge current may lead to latent failure of a module, that is, this damage may not be significant immediately, but in operation may cause malfunction.

E.2 Electrostatic charging of the body

Electrostatic charging

Any person with a non-conductive connection to the electrical potential of its surroundings may be exposed to electrostatic charge.

The figure below shows the maximum electrostatic voltage which may build up on a person coming into contact with the materials indicated. These values correspond to IEC 801-2 specifications.



E.3 Basic protective measures against electrostatic discharge

Ensure sufficient grounding

Make sure all persons, workplaces and packaging are sufficiently grounded when handling ESD components. This prevents electrostatic charge.

Avoid direct contact

You should only touch ESD components if unavoidable (for example, during maintenance work). Handle the modules without touching any chip pins or PCB traces. In this way, the discharged energy can not affect the sensitive devices.

Discharge your body before you start taking any measurements on a module. Do so by touching grounded metallic parts. Always use grounded measuring instruments.

Service & support

F.1 Service & support

Technical support

You can contact Technical Support for all Industry Automation products by means of the Internet Web form for the Support Request on the Internet (<http://www.siemens.com/automation/support-request>)

Additional information on our technical support is available on the Internet (<http://www.siemens.com/automation/service>).

Service & support on the Internet

In addition to our documentation, we offer a comprehensive knowledge base on the Internet.

On the Internet (<http://www.siemens.com/automation/service&support>).

There you will find:

- Our Newsletter, which constantly provides you with the latest information about your products.
- The documents you require, via our service & support search facility.
- A forum, where users and experts from all over the world exchange their experiences.
- Your local contact for Automation & Drives from our contact database.
- Information about on-site service, repairs, spare parts, and much more.

Additional support

If you have any questions relating to the products described in this manual and cannot find the answers in this documentation, please contact your Siemens partner at the appropriate office or sales and service location.

The contact details for your partner are available on the Internet (<http://www.automation.siemens.com/partner/>).

A guide to the technical documentation provided for the various SIMATIC products and systems is available on the Internet (<http://www.siemens.com/simatic-tech-doku-portal>).

The online catalog and order system is available on the Internet (<http://www.siemens.com/automation/mall>).

Training center










Siemens offers various courses to get you started with the S7-300 and the SIMATIC S7 automation system. Please contact your regional training center or the central training center in Nuremberg (ZIP code: 90327).

Additional information is available on the Internet (<http://www.siemens.com/sitrain>).

Safety-relevant symbols





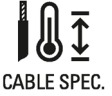





G.1 Safety-related symbols for devices without Ex protection



The following table contains an explanation of the symbols located in your SIMATIC device, its packaging or the accompanying documentation.

Symbol	Meaning
	General warning sign Caution/Notice You must read the product documentation. The product documentation contains information about the potential risks and enable you to recognize risks and implement countermeasures.
	Read the information provided by the product documentation. ISO 7010 M002
	Ensure the device is only installed by electrically skilled person. IEC 60417 No. 6182
 CABLE SPEC.	Note that connected mains lines must be designed according to the expected minimum and maximum ambient temperature.
 EMC	Note that the device must be constructed and connected in accordance with EMC regulations.
 230V MODULES	Note that a 230 V device can be exposed to electrical voltages which can be dangerous. ANSI Z535.2
 24V MODULES	Note that a device of Protection Class III may only be supplied with a protective low voltage according to the standard SELV/PELV. IEC 60417-1-5180 "Class III equipment"
 INDOOR USE ONLY INDUSTRIAL USE ONLY	Be aware that the device is only approved for the industrial field and only for indoor use.
	Note that an enclosure is required for installing the device. Enclosures are considered: <ul style="list-style-type: none"> • Standing control cabinet • Serial control cabinet • Terminal boxes • Wall enclosure

G.2 Safety-related symbols for devices with Ex protection

The following table contains an explanation of the symbols located in your SIMATIC device, its packaging or the accompanying documentation.

Symbol	Meaning
	<p>The assigned safety symbols apply to devices with Ex approval.</p> <p>You must read the product documentation. The product documentation contains information about the potential risks and enable you to recognize risks and implement countermeasures.</p>
	<p>Read the information provided by the product documentation.</p> <p>ISO 7010 M002</p>
	<p>Ensure the device is only installed by electrically skilled person.</p> <p>IEC 60417 No. 6182</p>
	<p>Observe the mechanical rating of the device.</p>
	<p>Note that connected mains lines must be designed according to the expected minimum and maximum ambient temperature.</p>
	<p>Note that the device must be constructed and connected in accordance with EMC regulations.</p>
	<p>When the device is under voltage, note that it may not be installed or removed, or plugged or pulled.</p>
	<p>Note that a 230 V device can be exposed to electrical voltages which can be dangerous.</p> <p>ANSI Z535.2</p>
	<p>Note that a device of Protection Class III may only be supplied with a protective low voltage according to the standard SELV/PELV.</p> <p>IEC 60417-1-5180 "Class III equipment"</p>
	<p>Be aware that the device is only approved for the industrial field and only for indoor use.</p>

Symbol	Meaning
 ZONE 2 INSIDE CABINET IP54 EN60079-15	For Zone 2 potentially explosive atmospheres, be aware that the device may only be used when it is installed in an enclosure with a degree of protection \geq IP54.
 ZONE 22 INSIDE CABINET IP6x EN60079-31	For Zone 22 potentially explosive atmospheres, be aware that the device may only be used when it is installed in an enclosure with a degree of protection \geq IP6x.

List of abbreviations

H.1 List of abbreviations

Abbreviations	Explanations
AC	Alternating current
ADC	Analog-to-Digital Converter
AI	Analog input
AO	Analog output
AS	Automation system
COMP+ / -	Compensation line (positive / negative)
CP	Communications processor
CPU	Central Processing Unit of the PLC
DAC	Digital-to-Analog Converter
DB	Data block
DC	Direct current
DI	Digital input
DO	Digital output
ESD	Electrostatic sensitive devices
EMC	Electromagnetic Compatibility
EPROM	Erasable Programmable Read-Only Memory
SSV	Set substitution value
FB	Function block
FC	Function
FEPRM	Flash Erasable Programmable Read-Only Memory
ES	Encoder supply
I+	Measuring line for current input
I _{c+} / -	Constantcurrent line (positive negative)
KV+ / -	Cold spot comparison (positive / negative)
L+	Power supply 24 VDC
HLV	Hold last valid value
FOC	Fiber-optic conductor
M	Ground
M+ / -	Measuring line (positive / negative)
M _{ANA}	Reference potential of the analog measuring circuit
MPI	Multipoint interface
OB	Organization block
OP	Operator panel

Abbreviations	Explanations
OS	Operator system
P5V	Power supply for module logic
PIO	Process Image of Outputs
PII	Process Image of Inputs
PG	Programming device
PS	Power supply
Q _i :	Analog output current
Q _v :	Analog output voltage
RAM	Random Access Memory
R _L :	Load impedance
S + / -	Sensor line (positive / negative)
SF	"Group error" LED
SFB	System function block
SFC	System function
SM	Signal module
PLC	Programmable logic controller
SSI	Synchronous serial interface
TD	HMI (Text Display)
U+	Measuring line for voltage input
CMV	Common Mode Voltage
Viso	Potential difference between M _{ANA} and local ground
sign	Sign

Glossary

2-/3-/4-wire connection

Methods of connecting resistance thermometers / resistances to the front connector of the module, or loads to the voltage output of an analog input module.

2-wire transducer (passive sensor) / 4-wire transducer (active sensor)

Type of transducer (2-wire transducers: power supply via terminals of the analog input module; 4-wire transducers: power supply via separate terminals of the transducer.)

Absolute encoder

Determines the distance traveled by reading a numerical value: When using absolute encoders with serial interface (SSI), the path information is transferred synchronously and serially according to the SSI protocol (synchronous serial interface).

Address

Represents the identifier of a specific address or address range. Examples: input I 12.1; flag word MW 25; data block DB 3.

Article number

→ Order number

Backplane bus

Serial data bus for module intercommunication, and power distribution to the modules. Bus connectors interconnect the modules.

Basic conversion time

Time required for the actual coding of a channel (integration time, plus all times required by the internal control, i.e. the channel is fully processed when this time has expired.

Basic error limit

Represents the operational limit at 25 °C, relative the module's rated range.

Basic execution time

Cycle time of an analog IO module when all of its channels are enabled. Equivalent to "number of channels x basic conversion time."

Bus

A transfer medium that interconnects several nodes. Data may be transferred in serial or parallel mode, using electrical or fiber-optic conductors.

Bus segment

Self-contained part of a bus system. Bus segments are coupled by means of → Repeater.

Calibration

Refers to the process of determining the relationship between the measured or expected value of the output variable and the associated true or correct value of the measured variable provided as the input variable, for a specific measuring device and under particular circumstances.

Common mode voltage (CMV)

The voltage common to all terminals of a group, measured between this group and any reference point (usually ground potential.)

Communications processor

Programmable communications module, used for networking, PtP coupling, for example.

Compensating box

Can be used for temperature measurements using thermocouples connected to analog input modules. Represents a compensation circuit used to compensate temperature fluctuation at the → Reference junction.

Configuring

Refers to the selection and assembly of automation system components, or to software installation and adaptation to a specific process (by programming the modules, for example.)

CP

→ Communications processor

CPU

Central Processing Unit of the → Automation System. A CPU stores and executes the user program. It contains the operating system, memory, processing unit and communications interfaces.

Cycle time

Denotes the time a → CPU requires for a single execution of the → user program.

Default setting

A useful setting which is used whenever the user does not enter a different value.

Destruction limit

Permissible limit of the input voltage / output current. The accuracy of measurements may deteriorate if this limit is violated. If the destruction limit is considerably exceeded, this may destroy the internal measuring circuit.

Diagnostic interrupt

Module diagnostics function report errors to the → CPU by means of diagnostic interrupts. The CPU operating system calls OB 82 when a diagnostic interrupt is generated.

Diagnostics

Generic term for → System diagnostics, hardware error diagnostics, and user-specific diagnostics.

Diagnostics buffer

The diagnostics buffer represents a backup memory in the CPU, used to store diagnostics events in their order of occurrence.

In STEP 7 (PLC → Module status), the user can read data from the diagnostics buffer to determine the precise cause of error.

Diagnostics data

All diagnostics events are logged at the CPU and entered in → Diagnostics buffer. If an error OB exists, the buffer is started.

Direct access

Denotes access of the CPU to a module via the → backplane bus, while bypassing the → Process image.

electrically disconnected

The reference potential of the control and load voltage circuits at electrically isolated IO modules are isolated galvanically, for example, using optocouplers, relay contacts or transformers. IO circuits can be connected to a common reference potential.

electrically interconnected

The reference potential of the control and load voltage circuits of non-isolated IO modules are electrically interconnected.

Equipotential bonding

Electrical connection (equipotential conductor) of electrical equipment and external conductive objects to the same or near to same potential, in order to prevent the development of disturbance and dangerous potentials between those objects.

FREEZE

STEP 7 parameter for the SM 338; POS-INPUT position detection module. FREEZE is a control command (function), used to freeze actual encoder values of SM 338.

Ground

The conductive earth whose electrical potential can be set equal to zero at any point.

Ground potential may be different from zero in the area of grounding electrodes. The term "reference ground" is frequently used to describe this situation.

grounding

Grounding means, to connect an electrically conductive component via an equipotential grounding system to a grounding electrode (one or several conductive components with low impedance contact to earth.)

Hardware interrupt

Function initiated by interrupt-triggering modules, based on specific events in the process (high or low limit violated, module has completed cyclic conversion of channels.)

The hardware interrupt is reported to the CPU, The CPU executes the assigned → Organization block according to interrupt priority.

Hold last value (HLV)

The module retains the last value output before the CPU went into STOP.

Input delay

STEP 7 parameter for digital input modules. The input delay function is used to suppress coupled disturbance. This includes pulse-shaped disturbance within the range from 0 ms to the set input delay

The input delay tolerance is defined in the technical data of the module. The length of suppressed pulse-shaped disturbance is determined by the length of the input delay.

The permissible input delay is determined by the line length between the encoder and the module. Unshielded encoder supply lines of a greater length (more than 100 m) require a long delay setting.

Integration time

STEP 7 parameter for analog input modules. The integration time is equivalent to the inverse value of the → noise suppression frequency in ms.

Interface, multi-point

→ MPI

Interference frequency suppression

STEP 7 parameter for analog input modules. The frequency of AC mains may corrupt measured values, in particular in the low voltage ranges, and when thermocouples are being used. At this parameter, the user defines the mains frequency prevailing on his system.

Interrupt

SIMATIC S7 knows 28 different priority classes which control user program execution. These priority classes include interrupts, such as hardware interrupts. When an interrupt occurs, the operating system automatically calls an assigned organization block, in which the user can program the desired response (e.g. in an FB).

Interrupt, diagnostics

→ Diagnostic interrupt

Interrupt, end of cycle

→ hardware interrupt

Interrupt, hardware

→ hardware interrupt

Linearity error

Denotes the maximum deviation of the measured/output value from the ideal linear relationship between the measured/output signal and the digital value. Defined as a percentage, relative to the rated range of the analog module.

Logic block

A SIMATIC S7 logic block contains elements of the *STEP 7* user program. In contrast, a data block only contains data. Available logic blocks: Organization Blocks (OBs), Function Blocks (FBs), Functions (FCs), System Function Blocks (SFBs), System Functions (SFCs).

Measuring range module

Modules installed on analog input modules for the adaptation to different measuring ranges.

Monoflop time

STEP 7 parameter for the SM 338; POS-INPUT position detection module. The monoflop time is equivalent to interval between two SSI message frames (→ Absolute encoder.)

MPI

Multi-Point Interface. SIMATIC S7 interface for programming devices. Allows central access to remote programmable modules (CPUs, CPs), Text Displays und Operator Panels. MPI nodes can intercommunicate.

OB

→ Organization Block

Operating mode

Definition of this term:

1. selection of a CPU operating state using the mode selector switch or a PG
2. the type of program execution at the CPU
3. an analog input module parameter in *STEP 7*

Operating state

Operating states known to SIMATIC S7 automation systems: STOP, → STARTUP, RUN and STOP.

Operational limit

Represents the measuring/output error of an analog module across the entire permissible temperature range, based on the module's rating.

Organization block

OBs form the interface between the CPU operating system and the user program. The sequential order of user program execution is defined in the organization blocks.

Parameters

1. Tag of a → Code block
2. Tag used to set one or several properties of a module. Each module is supplied with default parameters which users may edit in *STEP 7*.

PG

→ Programming device

Process image

The CPU saves the signal states of analog IO modules to a process image.

We distinguish between the process image of inputs (PII) and outputs (PIO). The input modules read the process image of inputs (PII) before the operating system executes the user program. The operating system transfers the process image of outputs (PIO) to the output modules at the end of program execution.

Product version

Differentiates products of the same order number. The product version is incremented in the case of upwards compatible enhancements of functionality, production-specific changes (use of new components/parts), and fixes.

Programming device

A programming device (PG) is a special compact PC (Personal Computer) suitable for use in industry. A PG is fully equipped for programming SIMATIC automation systems.

Reference junction

When operating thermocouples on analog input modules: point of known temperature (for example, → compensating box.)

Reference potential

Potential from which the voltages of participating circuits are derived and measured.

Repeat accuracy

Denotes the maximum deviation between measured/output values, if the same input or output signal is repeatedly set. Repeat accuracy refers to the rated range of the module, and applies to its settled temperature state.

Repeater

Equipment used to amplify bus signals, and couple → bus segments across greater distances

Resolution

Number of bits representing the value of analog modules in binary format. The resolution is module-specific. It is also determined by the → integration time of analog input modules. The precision of the measured value resolution increases with the length of the integration time. The maximum resolution is 16 bits + sign.

Response to open thermocouple

STEP 7 parameter for analog input modules operating with thermocouples. This parameter defines whether the module outputs an "Overflow" (7FFFH) or "Underflow" (8000H) value when it detects an open thermocouple.

Restart

At its restart (initiated by setting the mode selector switch from STOP to RUN, or after POWER ON), the CPU first executes restart OB 100, and then continues with cyclic program execution (OB1.)

During its restart, the CPU reads the → Process image of inputs (PIO), and then executes the STEP 7 user program, starting at the first statement in OB1.

Retentivity

Data areas in data blocks (DBs), timers, counters and flags are considered retentive if their content is not lost as a result of restart or power off.

Scaling

STEP 7 parameter for the SM 338; POS-INPUT position detection module. Scaling right-aligns the → Absolute encoder value in the address space; irrelevant places are discarded.

Segment

→ Bus segment

SFC

→ System Function

Signal module

Signal modules (SMs) form the interface between the process and the automation system. These are available as digital and analog input/output and IO modules.

Smoothing

STEP 7 parameter for analog input modules. The measured values are smoothed by digital filtering. Users can select module-specific filter properties, i.e. none, low, medium or high. The time constant of the digital filter increases in proportion to the degree of smoothing.

STARTUP

STARTUP mode initiates the transition from STOP to RUN mode. STARTUP can be triggered by setting the → mode selector, by power on, or by an operator action on the programming device. S7-300 performs a → restart.

Substitution value

Values output by faulty signal output modules to the process, or used to substitute a process value of a faulty signal input module in the user program.

Users can program the substitute values in STEP 7 (hold last value, substitution value 0 or 1.) Those values must be set at the outputs when the CPU goes into STOP.

System diagnostics

Denotes the detection, evaluation and reporting of error events within the automation system. Examples of such errors are: program errors, or module failure. System errors may be indicated by LED displays, or in *STEP 7*.

System Function

A System Function (SFC) is an integral function of the CPU operating system, and can be called in the STEP 7 user program as required.

Temperature coefficient

STEP 7 parameter for analog input modules, for temperature measurements taken with resistance thermometers (RTD.) The selected temperature coefficient is specific to the resistance thermometer being used (to DIN standard.)

Temperature error

Denotes the drift of measured/output values, caused by fluctuation of the ambient temperature at an analog module. It is defined in % per Kelvin, relative to the rated range of the analog module.

Temperature error of internal compensation

Only applies to the measurement of thermocouples. Defines the error to add to the actual temperature error, when "internal comparison" mode is selected. The error is defined either as a percentile value relative to the physical rated range of the analog module, or as an absolute value in °C.

Total current

Total current of all output channels of a digital output module.

ungrounded

no galvanic connection to ground potential

User program

Contains statements, tags and data for processing signals which can control a plant or process. It is assigned to a programmable module (CPU, FM, for example) and can be organized in smaller units (blocks).

Wirebreak

Parameter in *STEP 7*. A wirebreak check is used to monitor line continuity between the encoder and input, or between the actuator and output. The module detects a wirebreak based on a current flow at the appropriately programmed input/output.

Index

2

- 2-wire connection
 - Resistance thermometer, 248
 - Voltage output, 259
- 2-wire transducer, 245

3

- 3-wire connection, 248

4

- 40-pin terminal block
 - Dimensional drawing, 615
 - SM 321, DI 64 x DC 24 V, sinking/sourcing, 64
 - SM 321, DO 64 x DC 24 V, 0.3 A sourcing, 121
 - SM 322, DO 64 x DC 24 V, 0.3 A Sinking, 129
- 4-wire connection
 - Resistance thermometer, 247
 - Voltage output, 258
- 4-wire transducer, 246

A

- Absolute value encoder (SSI)
 - SM 338, POS-INPUT, 505
- Accessories, 616
- Actuators see also Connect loads/actuators, 257
- Addressing
 - SM 334,
 - SM 338, POS-INPUT, 507
- SM 334
 - Unused channels,
- SM 331
 - Parameters,
 - Technical specifications,
- SM 331
 - Isochronous mode,
 - Measurement types and measuring ranges,
 - Properties,
 - Supplementary information,
 - Wiring diagram,
- Ambient conditions
 - Climatic, 24

- Mechanical, 23
- Operating condition, 23
- SIPLUS S7-300, 30

Analog functions, STEP 7 blocks, 300

Analog input module

- Causes of error and troubleshooting, 297
- Common-mode error, 297
- Configuration error, 297
- Dataset 1, structure, 535
- Diagnostics messages, 296
- isolated, non-isolated, 239
- Load voltage missing, 297
- Overflow, 297
- Parameters, 294, 534
- Programming error, 297
- Underflow, 297
- Wirebreak,
- Wiring and connecting thermocouples, 249

Analog input modules

- SM 331, AI 2 x 12 Bit, 367
- SM 331, AI 6 x TC isolated, 412
- SM 331, AI 8 x 12 Bit, 353
- SM 331, AI 8 x 13 Bit, 340
- SM 331, AI 8 x 14 Bit High Speed, 329
- SM 331, AI 8 x 16 Bit, 307, 318
- SM 331, AI 8 x RTD, 380
- SM 331, AI 8 x TC, 396

Analog input/output module

- SM 334, AI 4/AO 2 x 12 Bit, 484

Analog IO module

- Dataset 1, structure, 581
- Parameters, 580
- SM 334, AI 4/AO 2 x 8/8 Bit, 476

Analog module

- Analog value processing, 238
- Determination of the measuring error/output error, 288
- Diagnostics, 295
- Dimensional drawing, 612
- Group error LED, 295
- Interrupts, 298
- Power failure, 286
- programming, 294
- Reaction, 285
- Start up, step, 301

Analog output channel

- Conversion time, 292

- Analog output module
 - Causes of error and troubleshooting, 297
 - Configuration error, 297
 - Dataset 1, structure, 575
 - Diagnostic messages, 296
 - isolated, non-isolated, 257
 - Load voltage missing, 297
 - Parameters, 574
 - Programming error, 297
 - Short-circuit to M, 297
 - Wirebreak,
 - Analog output modules
 - SM 332, AO 2 x 12 Bit, 468
 - SM 332, AO 4 x 12 Bit, 460
 - SM 332, AO 4 x 16 Bit, 450
 - SM 332, AO 8 x 12 Bit, 442
 - Analog value
 - Conversion, 261
 - Sign, 261
 - STEP 7 blocks, 300
 - Analog value processing
 - Connecting loads/actuators, 257
 - Current transducers, 245
 - Introduction, 238
 - Resistance thermometer, 247
 - Resistors, 247
 - Thermocouples, 249
 - Transducers, 239
 - Voltage transducers, 244
 - Analog-to-digital conversion, 289
 - Approval, 14
 - CSA, 16
 - FM, 17
 - Marine, 18
 - UL, 15
 - Use in industrial environments, 18
 - Use in residential areas / mixed areas, 18
 - Auxiliary voltage missing
 - SM 338, POS-INPUT, 510
- B**
- Basic error limit, 288
 - Basic knowledge required, 3
- C**
- Causes of error and remedies
 - SM 321, DI 16 x DC 24 V, 89
 - SM 321, DI 16 x DC 24 V/125 V, 100
 - SM 322, DO 8 x AC 120/230 V/2 A ISOL, 196
 - SM 322, DO 8 x DC 24 V/0.5 A, 180
 - SM 322, DO 8 x Rel. AC 230 V/5 A (5HF00), 215
 - Causes of error and troubleshooting
 - Analog input module, 297
 - Analog output module, 297
 - SM 338, POS-INPUT, 510
 - Changes
 - in the manual, 3
 - Changes in the manual, 3
 - Channel fault
 - SM 338, POS-INPUT, 510, 510
 - Channel information available
 - SM 338, POS-INPUT, 510
 - Channel-specific diagnostics, 588
 - Code type
 - SM 338, POS-INPUT, 505
 - Common-mode error
 - Analog input module, 297
 - Compensate reference junction temperature, 251
 - Configuration error
 - Analog input module, 297
 - Analog output module, 297
 - SM 338, POS-INPUT, 510
 - Connect current transducer, 245
 - 2-wire transducer, 245
 - 4-wire transducer, 246
 - Connect voltage transducer, 244
 - Connecting loads/actuators
 - 2-wire connection, 259
 - 4-wire connection, 258
 - Current output, 260
 - Introduction, 257
 - Voltage output, 258
 - Connecting measuring transducers
 - Isolated measuring encoders, 240
 - Non-isolated sensors, 241
 - Principles, 239
 - Connecting resistance thermometers, 247
 - 2-wire connection, 248
 - 3-wire connection, 248
 - 4-wire connection, 247
 - Conversion
 - of analog values, 261
 - Conversion time
 - Analog input channels, 289
 - Analog output channel, 292
 - CSA approval, 16
 - Cycle time
 - Analog input channels, 289
 - Analog output channels, 292

- D**
- Data records
 - for diagnostic data, 583
 - for parameters, 522
 - Dataset 1, structure
 - Analog input module, 535
 - Analog IO module, 581
 - Analog output module, 575
 - Digital input module, 525, 526
 - Digital output module, 529
 - SM 322, DO 16 x DC 24 V/0.5 A (8BH10), 531
 - SM 327, DI 8/DO 8 x DC 24 V/0.5 A, 236
 - SM 331, AI 6 x TC isolated, 568
 - SM 331, AI 8 x 13 Bit, 557
 - SM 331, AI 8 x 16 Bit, 561
 - SM 331, AI 8 x RTD, 539
 - SM 331, AI 8 x TC, 549
 - SM 332, AO 8 x 12 Bit, 578
 - Dataset 128, structure
 - SM 331, AI 6 x TC isolated, 569
 - SM 331, AI 8 x 16 Bit, 562
 - SM 331, AI 8 x RTD, 540
 - SM 331, AI 8 x TC, 550
 - Degree of protection IP 20, 25
 - Diagnostic interrupt
 - of analog modules, 298
 - SM 321, DI 16 x DC 24 V, 92
 - SM 321, DI 16 x DC 24 V/125 V, 101
 - SM 322, DO 8 x DC 24 V/0.5 A, 182
 - SM 322, DO 8 x Rel. AC 230 V/5 A (5HF00), 215
 - SM 338, POS-INPUT, 511
 - Diagnostic interrupt enable
 - SM 338, POS-INPUT, 505, 505
 - Diagnostic messages, 59, 295, 509
 - of analog output modules, 296
 - reading, 509
 - SM 321, DI 16 x DC 24 V, 88
 - SM 321, DI 16 x DC 24 V/125 V, 99
 - Diagnostics
 - Digital modules, 59
 - of analog modules, 295
 - SM 338, POS-INPUT, 509, 510
 - Diagnostics data
 - channel-specific, 588
 - Data record, 583
 - Channel-specific, for SM 338, SM 331, AI 6 x TC isolated, 593
 - SM 338, POS-INPUT, 596
 - Diagnostics data entry, 287
 - Diagnostics interrupt
 - SM 322, DO 8 x AC 120/230 V/2 A ISOL, 197
 - Diagnostics messages
 - of the analog input modules, 296
 - SM 322, DO 16 x DC 4 V/0.5 A (8BH10), 153
 - SM 322, DO 8 x AC 120/230 V/2 A ISOL, 196
 - SM 322, DO 8 x DC 24 V/0.5 A, 179
 - SM 322, DO 8 x Rel. AC 230 V/5 A (5HF00), 214
 - Digital I/O module
 - SM 323, DI 16/DO 16 x DC 24 V/0.5 A, 222
 - SM 323, DI 8/DO 8 x DC 24 V/0.5 A, 227
 - SM 327, DI 8/DO 8 x DC 24 V/0.5 A, programmable, 231
 - Digital input module
 - Dataset 1, structure, 525, 526
 - Parameters, 524, 526
 - SM 321, DI 16 x AC 120/230 V, 111
 - SM 321, DI 16 x DC 24 V, 76
 - SM 321, DI 16 x DC 24 V High Speed, 78
 - SM 321, DI 16 x DC 24 V, source input, 103
 - SM 321, DI 16 x DC 24 V, with process and diagnostic interrupt, 80
 - SM 321, DI 16 x DC 24 V/125V, with process and diagnostic interrupt, 94
 - SM 321, DI 16 x DC 48-125 V, 108
 - SM 321, DI 16 x UC 24/48 V, 105
 - SM 321, DI 32 x AC 120 V, 73
 - SM 321, DI 32 x AC 120/230 V ISOL, 117
 - SM 321, DI 32 x DC 24 V, 70
 - SM 321, DI 64 x DC 24 V, sinking/sourcing, 63
 - SM 321, DI 8 x AC 120/230 V, 114
 - digital module
 - Start up, step, 57
 - Digital module, 48
 - Diagnostics, 59
 - Dimensional drawing, 612
 - Group error LED, 60
 - programming, 58
 - Digital output module
 - Dataset 1, structure, 529
 - Parameter, 528
 - SM 322, DO 16 x AC 120/230 V/1 A, 167
 - SM 322, DO 16 x DC 24 V/0.5 A (1BH01), 143
 - SM 322, DO 16 x DC 24 V/0.5 A High Speed, 157
 - SM 322, DO 16 x UC 24/48 V, 161
 - SM 322, DO 32 x AC 120/230 V/1 A, 139
 - SM 322, DO 32 x DC 24 V/0.5 A, 135
 - SM 322, DO 64 x DC 24 V, 0.3 A, sinking, 128
 - SM 322, DO 64 x DC 24 V/0.3 A sourcing, 120
 - SM 322, DO 8 x AC 120/230 V/2 A, 187
 - SM 322, DO 8 x AC 120/230 V/2 A ISOL, 191
 - SM 322, DO 8 x DC 24 V/0.5 A with diagnostic interrupt, 174

SM 322, DO 8 x DC 24 V/2 A, 170
 SM 322, DO 8 x DC 48-125 V/1.5 A, 183

Dimensional drawing, 598
 40-pin terminal block, 615
 Analog module, 612
 Bus module for "hot swapping", 605
 Digital module, 612
 Interface module, 610
 Mounting rail, 599
 Shield connection element, 614
 Signal module, 612

DM 370
 Properties, 496
 Technical data, 498
 DM 370 dummy module, 496
 Documentation landscape
 Classification, 3

E

Electromagnetic compatibility (EMC), (See EMV)
 Electrostatic discharge, 19
 EMC (Electromagnetic compatibility)
 disturbance variables, 19
 EMV (Electromagnetic compatibility), 19
 Encoder error
 SM 338, POS-INPUT, 510
 Error
 of an analog module, 288

F

FM approval, 17
 Freeze function
 SM 338, POS-INPUT, 506

G

Group error LED
 Analog module, 295
 Digital module, 60
 SM 338, POS-INPUT, 509
 Guide
 for the manual, 5

H

Hardware interrupt
 End of cycle, 299
 SM 321, DI 16 x DC 24 V, 92

SM 321, DI 16 x DC 24 V/125 V, 101
 when limit is exceeded, 298

I

IEC 61131, 17
 IM 360
 Dimensional drawing, 610
 Properties, 516
 Technical data, 517
 IM 361
 Dimensional drawing, 610
 Properties, 518
 Technical data, 519
 IM 365
 Dimensional drawing, 611
 Properties, 520
 Technical data, 521
 Inbetriebnahme
 Analog modules, 301
 digital module, 57
 Interface module, 515
 Dimensional drawing, 610
 IM 360, 516
 IM 361, 518
 IM 365, 520
 Internal error
 SM 338, POS-INPUT, 510
 Internet
 Service & support, 622
 Interrupts
 SM 322, DO 8 x DC 24 V/ 0.5 A,
 enabling, 298, 511
 of analog modules, 298
 SM 321, DI 16 x DC 24 V, 91
 SM 321, DI 16 x DC 24 V/125 V, 100
 SM 322, DO 8 x AC 120/230 V/2 A ISOL, 196
 SM 322, DO 8 x Rel. AC 230 V/5 A (5HF00), 215
 SM 338, POS-INPUT, 511
 Isochronous mode, 85
 SM 331,
 SM 321, DI 16 x DC 24 V, 86
 SM 332, AO 4 x 16 Bit, 458
 SM 338, 500
 Isolation test, 25

L

Load voltage missing
 Analog input module, 297
 Analog output module, 297

- M**
- Manual
 - purpose, 3
 - Marine approval, 18
 - Measurement types and measuring ranges
 - SM 331,
 - SM 331, AI 2 x 12 Bit, 376
 - SM 331, AI 6 x TC isolated, 423
 - SM 331, AI 8 x 12 Bit, 363
 - SM 331, AI 8 x 13 Bit, 348
 - SM 331, AI 8 x 16 Bit, 313, 323
 - SM 331, AI 8 x RTD, 387
 - SM 331, AI 8 x TC, 404
 - SM 334, AI 4/AO 2 x 12 Bit, 491
 - SM 334, AI 4/AO 2 x 8/8 Bit, 482
 - Measuring method
 - Analog input channels, 282
 - Measuring range module, 282
 - Changing the position, 283
 - Measuring ranges
 - Analog input channels, 282
 - Module error
 - SM 338, POS-INPUT, 510
 - Module overview, 49, 302
 - Analog I/O modules, 306
 - Analog input modules, 302
 - Analog output modules, 305
 - Digital I/O modules, 56
 - Digital input modules:, 49
 - Digital output modules, 52
 - Interface modules, 515
 - Other signal modules, 493
 - Relay output modules, 55
 - Module parameters
 - SM 321, DI 16 x DC 24 V, 86
 - Monoflop time
 - SM 338, POS-INPUT, 506
- N**
- no parameters
 - SM 338, POS-INPUT, 510
- O**
- OB40, 92, 101, 298
 - Start information, 299
 - OB82, 92, 101, 182, 197, 215, 298
 - Operating state
 - of the CPU, 286
 - Operational limit, 288
- Order number
- 6AG1305-1BA80-2AA0, 42
 - 6AG1307-1EA80-2AA0, 45
 - 6AG1321-1BH02-2AA0, 76
 - 6AG1321-1BL00-2AA0, 70
 - 6AG1321-1CH20-2AA0, 108
 - 6AG1321-1FF01-2AA0, 114
 - 6AG1321-7BH01-2AB0, 80
 - 6AG1322-1BH01-2AA0, 143
 - 6AG1322-1CF00-2AA0, 183
 - 6AG1322-1FF01-2AA0, 187
 - 6AG1322-1HF10-2AA0, 216
 - 6AG1322-8BF00-2AB0, 174
 - 6AG1322-8BH10-7AB0, 147
 - 6AG1323-1BH01-2AA0, 227
 - 6AG1331-7KB02-2AB0, 367
 - 6AG1332-5HB01-2AB0, 468
 - 6AG1332-5HD01-7AB0, 460
 - 6AG1332-5HF00-2AB0, 442
 - 6AG1332-7ND02-4AB0, 450
 - 6AG1334-0KE00-2AB0, 484
 - 6AG1365-0BA01-2AA0, 520
 - 6ES7 338-4BC01-0AB0, 499
 - 6ES7307-1BA01-0AA0, 33
 - 6ES7307-1EA01-0AA0, 36
 - 6ES7307-1KA02-0AA0, 39
 - 6ES7321-1BH02-0AA0, 76
 - 6ES7321-1BH10-0AA0, 78
 - 6ES7321-1BH50-0AA0, 103
 - 6ES7321-1BL00-0AA0, 70
 - 6ES7321-1BP00-0AA0, 63
 - 6ES7321-1CH00-0AA0, 105
 - 6ES7321-1CH20-0AA0, 108
 - 6ES7321-1EL00-0AA0, 73
 - 6ES7321-1FF01-0AA0, 114
 - 6ES7321-1FF10-0AA0, 117
 - 6ES7321-1FH00-0AA0, 111
 - 6ES7321-7BH01-0AB0, 80
 - 6ES7321-7EH00-0AB0, 94
 - 6ES7322-1BF01-0AA0, 170
 - 6ES7322-1BH10-0AA0, 157
 - 6ES7322-1BL00-0AA0, 135
 - 6ES7322-1BP00-0AA0, 120
 - 6ES7322-1BP50-0AA0, 128
 - 6ES7322-1CF00-0AA0, 183
 - 6ES7322-1FF01-0AA0, 187
 - 6ES7322-1FH00-0AA0, 167
 - 6ES7322-1FL00-0AA0, 139
 - 6ES7322-1HF01-0AA0, 203
 - 6ES7322-1HF10-0AA0, 216
 - 6ES7322-1HH01-0AA0, 198
 - 6ES7322-5FF00-0AB0, 191

- 6ES7322-5GH00-0AB0, 161
- 6ES7322-5HF00-0AB0, 208
- 6ES7322-8BF00-0AB0, 174
- 6ES7322-8BH10-0AB0, 147
- 6ES7323-1BH01-0AA0, 227
- 6ES7323-1BL00-0AA0, 222
- 6ES7327-1BH00-0AB0, 231
- 6ES7331-1KF02-0AB0, 340
- 6ES7331-7HF00-0AB0, 329
- 6ES7331-7HF01-0AB0, 329
- 6ES7331-7KB02-0AB0, 367
- 6ES7331-7KF02-0AB0, 353
- 6ES7331-7NF00-0AB0, 307
- 6ES7331-7NF10-0AB0, 318
- 6ES7331-7PE10-0AB0, 412
- 6ES7331-7PF01-0AB0, 380
- 6ES7331-7PF11-0AB0, 396
- 6ES7332-5HB01-0AB0, 468
- 6ES7332-5HD01-0AB0, 460
- 6ES7332-5HF00-0AB0, 442
- 6ES7332-7ND02-0AB0, 450
- 6ES7334-0CE01-0AA0, 476
- 6ES7334-0KE00-0AB0, 484
- 6ES7360-3AA01-0AA0, 516
- 6ES7361-3CA01-0AA0, 518
- 6ES7365-0BA01-0AA0, 520
- 6ES7370-0AA01-0AA0, 496
- 6ES7374-2XH01-0AA0, 494
- Output range
 - SM 332, AO 2 x 12 Bit, 473
 - SM 332, AO 4 x 12 Bit, 465
 - SM 332, AO 4 x 16 bit, 456
 - SM 332, AO 8 x 12 Bit, 447
 - SM 334, AI 4/AO 2 x 12 Bit, 491
 - SM 334, AI 4/AO 2 x 8/8 Bit, 482
- Overflow
 - Analog input module, 297
- Overvoltage protection, 61
- P**
- Parameter
 - Digital output module, 528
 - SFCs, 522
- Parameters, 58
 - Analog input module, 294, 534
 - Analog IO module, 580
 - Analog output module, 574
 - changing in the user program, 294
 - Data record, 522
 - Digital input module, 524, 526
 - dynamic, 294
 - SM 338, POS-INPUT, 505
 - static, 294
- Parameters of modules
 - SM 331,
 - SM 321, DI 16 x DC 24 V/125 V, 98
 - SM 321, DO 16 x DC 24 V/0.5 A (8BH10), 152
 - SM 322, DO 16 x DC 24 V/0.5 A (8BH10), 530
 - SM 322, DO 16 x UC 24/48 V, 165
 - SM 322, DO 8 x AC 120/230 V/2 A ISOL, 195
 - SM 322, DO 8 x DC 24 V/0.5 A with diagnostic interrupt, 178
 - SM 322, DO 8 x Rel. AC 230 V/5 A (5HF00), 214
 - SM 327, DI 8/DO 8 x DC 24 V/0.5 A, programmable, 235
 - SM 331, AI 2 x 12 Bit, 378
 - SM 331, AI 6 x TC isolated, 424, 567
 - SM 331, AI 8 x 12 Bit, 365
 - SM 331, AI 8 x 16 Bit, 314, 324, 336, 560
 - SM 331, AI 8 x RTD, 389, 538
 - SM 331, AI 8 x TC, 405, 548
 - SM 332, AO 4 x 12 Bit, 466
 - SM 332, AO 4 x 16 Bit, 457
 - SM 332, AO 8 x 12 Bit, 448, 474, 577
 - SM 334, AI 4/AO 2 x 12 Bit, 490
- Parameters, incorrect
 - SM 338, POS-INPUT, 510
- PARAM_MOD, SFC 57, 522
- POS input module
 - SM 338, 499
- Position
 - Documentation structure, 3
- Position decoder module
 - SM 338, POS-INPUT, 499
- Power failure
 - of the analog module, 286
 - SM 321, DI 16 x DC 24 V, 90
 - SM 322, DO 8 x DC 24 V/0.5 A with diagnostic interrupt, 181
- Power supply module, (See also PS 305, PS 307)
 - PS 305 2 A, 42
 - PS 307 10 A, 39
 - PS 307 2 A, 33
 - PS 307 5 A, 36
- Programming
 - Digital modules, 58
 - in user program, 522
 - of analog modules, 294
- Programming error
 - Analog input module, 297
 - Analog output module, 297
 - SM 338, POS-INPUT, 510
- Protection class, 25

PS 305 2 A
Dimensional drawing, 609
Properties, 42
Schematic circuit diagram, 43
Technical specifications, 44
Wiring diagram, 42

PS 307 10 A
Dimensional drawing, 609
Schematic circuit diagram, 40
Technical specifications, 41
Wiring diagram, 39

PS 307 2 A
Dimensional drawing, 606
Properties, 33
Schematic circuit diagram, 34
Technical specifications, 35

PS 307 5 A
Drawing (-1EA80-), 609
Properties, 45
Schematic circuit diagram, 37, 46
Technical specifications, 38
Wiring diagram, 36, 45

PS 307 5A
Drawing (-1EA01-), 607

R

Rail dimensioned drawing, 599

Rated voltage, 25

Relay output module

SM 322, DO 16 x Rel. 120/230 V AC, 198

SM 322, DO 8 x Rel. 230 V AC, 203

SM 322, DO 8 x Rel. 230 V AC / 5 A (1HF10), 216

SM 322, DO 8 x Rel. 230 V AC / 5 A (5HF00), 208

Representation of analog values, 261, 261

Binary representation of input ranges, 262

binary representation of output ranges, 279

For current measuring ranges, 265, 265

for resistance

thermometers, 266, 267, 267, 268, 269, 269, 270, 270, 271, 271, 272, 273, 274, 274, 275, 275, 276, 276, 277, 278

For voltage measuring ranges, 263, 264, 264

for voltage output ranges, 280

in the current output ranges, 281

of resistive transducers, 266

Resolution, 261

S

Scaling

SM 338, POS-INPUT, 503, 506

Service & support, 622

SF LED, (See group error LED)

SM 338, POS-INPUT, 509

SFC 57 PARM_MOD, 522

SFC51, 92, 101, 182, 197, 215, 298

SFC55 WR_PARM, 522

SFC56 WR_DPARM, 522

SFC59, 92, 101, 182, 197, 215, 298

Shield connection element, drawing, 614

Shipping conditions, 21

Short-circuit to M

Analog output module, 297

Sign

Analog value, 261

Signal module

Dimensional drawing, 612

Overview, 493

Simulator module SM 374, IN/OUT 16, 494

SIPLUS S7-300 module, 26

SM 321, DI 16 x AC 120/230 V

Properties, 111

Technical specifications, 112

Wiring diagram, 111

SM 321, DI 16 x DC 24 V

Causes of error and troubleshooting, 89

Diagnostic interrupt, 92

Diagnostic messages, 88

Hardware interrupt, 92

Interrupts, 91

Isochronous mode, 86

Parameters, 86

Power supply, 90

Properties, 76

redundant sensor supply, 81

Shunt circuit of the sensors, 82

Technical specifications, 77

Wiring diagram, 76

SM 321, DI 16 x DC 24 V High Speed

Properties, 78

Technical specifications, 79

Wiring diagram, 78

SM 321, DI 16 x DC 24 V, source input

Properties, 103

Technical specifications, 104

Wiring diagram, 103

SM 321, DI 16 x DC 24 V, with process and diagnostic interrupt

Properties, 80

- Technical specifications, 83, 96
- Wiring diagram, 81
- SM 321, DI 16 x DC 24 V/125 V
 - Causes of error and troubleshooting, 100
 - Diagnostic interrupt, 101
 - Diagnostic messages, 99
 - Hardware interrupt, 101
 - Interrupts, 100
 - Parameters, 98
 - Shunt circuit of the sensors, 95
- SM 321, DI 16 x DC 24 V/125 V, with process and diagnostic interrupt
 - Properties, 94
 - Wiring diagram, 95
- SM 321, DI 16 x DC 48-125 V
 - Properties, 108
 - Technical specifications, 109
 - Wiring diagram, 108
- SM 321, DI 16 x UC 24/48 V
 - Properties, 105
 - Technical specifications, 106
 - Wiring diagram, 105
- SM 321, DI 32 x AC 120 V
 - Properties, 73
 - Technical specifications, 74
 - Wiring diagram, 73
- SM 321, DI 32 x AC 120/230 V ISOL
 - Properties, 117
 - Technical specifications, 118
 - Wiring diagram, 117
- SM 321, DI 32 x DC 24 V
 - Properties, 70
 - Technical specifications, 71
 - Wiring diagram, 70
- SM 321, DI 64 x DC 24 V, sinking/sourcing
 - 40-pin terminal block, 64
 - Properties, 63
 - Technical specifications, 66
 - Wiring diagram, 63
- SM 321, DI 8 x AC 120/230 V
 - Properties, 114
 - Technical specifications, 115
 - Wiring diagram, 114
- SM 321, DO 64 x DC 24 V, 0.3 A sourcing
 - 40-pin terminal block, 121
 - Properties, 120
 - Technical specifications, 123
 - Wiring diagram, 120
- SM 322, DO 16 x AC 120/230 V/1 A
 - Properties, 167
 - Technical specifications, 168
 - Wiring diagram, 167
- SM 322, DO 16 x DC 24 V/0.5 A (1BH01)
 - Properties, 143
 - Technical specifications, 145
 - Wiring diagram, 144
- SM 322, DO 16 x DC 24 V/0.5 A (8BH10)
 - Dataset 1, structure, 531
 - Diagnostic data records, 590
 - Diagnostics, 153
 - Discrepancy error monitoring, 154
 - Firmware update, 154
 - I&M data (identification data), 155
 - Parameter, 530
 - Properties, 147
 - Technical specifications, 150
 - Wiring diagram, 149
- SM 322, DO 16 x DC 24 V/0.5 A High Speed
 - Properties, 157
 - Technical specifications, 159
 - Wiring diagram, 158
- SM 322, DO 16 x Rel. 120/230 V AC
 - Properties, 198
 - Technical specifications, 200
 - Wiring diagram, 199
- SM 322, DO 16 x UC 24/48 V
 - Parameters, 165
 - Properties, 161
 - Technical specifications, 162
 - Wiring diagram, 162
- SM 322, DO 32 x AC 120/230 V/1 A
 - Properties, 139
 - Technical specifications, 141
 - Wiring diagram, 140
- SM 322, DO 32 x DC 24 V/0.5 A
 - Properties, 135
 - Technical specifications, 137
 - Wiring diagram, 136
- SM 322, DO 64 x DC 24 V, 0.3 A, sinking
 - 40-pin terminal block, 129
 - Properties, 128
 - Supplementary information, 132
 - Technical specifications, 130
 - Wiring diagram, 128
- SM 322, DO 8 x AC 120/230 V/2 A
 - Properties, 187
 - Technical specifications, 189
 - Wiring diagram, 188
- SM 322, DO 8 x AC 120/230 V/2 A ISOL
 - Causes of error and troubleshooting, 196
 - Diagnostic messages, 196
 - Diagnostics interrupt, 197
 - Interrupts, 196
 - Load restrictions, 197

- Parameters, 195
- Properties, 191
- Technical specifications, 193
- Wiring diagram, 192
- SM 322, DO 8 x DC 24 V/0.5 A with diagnostic interrupt
 - Causes of error and troubleshooting, 180
 - Diagnostic interrupt, 182
 - Diagnostics messages, 179
 - Interrupts, 182
 - Parameters, 178
 - Power supply, 181
 - Properties, 174
 - Technical specifications, 176
 - Wiring diagram, 175
- SM 322, DO 8 x DC 24 V/2 A
 - Properties, 170
 - Technical specifications, 171
 - Wiring diagram, 171
- SM 322, DO 8 x DC 48-125 V/1.5 A
 - Properties, 183
 - Technical specifications, 185
 - Wiring diagram, 184
- SM 322, DO 8 x Rel. 230 V AC
 - Properties, 203
 - Technical specifications, 204
 - Wiring diagram, 204
- SM 322, DO 8 x Rel. 230 V AC / 5 A (1HF10)
 - Properties, 216
 - Technical specifications, 218
 - Wiring diagram, 217
- SM 322, DO 8 x Rel. 230 V AC / 5 A (5HF00)
 - Properties, 208
 - Technical specifications, 210
 - Wiring diagram, 209
- SM 322, DO 8 x Rel. AC 230 V/5 A (5HF00)
 - Causes of error and troubleshooting, 215
 - Diagnostic interrupt, 215
 - Diagnostics messages, 214
 - Interrupts, 215
 - Parameters, 214
- SM 323, DI 16/DO 16 x DC 24 V/0.5 A
 - Properties, 222
 - Technical specifications, 224
 - Wiring diagram, 223
- SM 323, DI 8/DO 8 x DC 24 V/0.5 A
 - Properties, 227
 - Technical specifications, 228
 - Wiring diagram, 228
- SM 327, DI 8/DO 8 x DC 24 V/0.5 A, programmable
 - Dataset 1, structure, 236
 - Parameters, 235
 - Properties, 231
 - Technical specifications, 232
 - Wiring diagram, 232
- SM 331, AI 2 x 12 Bit
 - Measurement types and measuring ranges, 376
 - Parameters, 378
 - Supplementary information, 379
- SM 331, AI 2 x 12-bit
 - Properties, 367
 - Technical specifications, 372
 - Wiring diagram, 368
- SM 331, AI 6 x TC isolated
 - Calibration, 434
 - Dataset 1, structure, 568
 - Dataset 128, structure, 569
 - Diagnostics data, 593
 - Firmware update, 431
 - I&M data (identification data), 433
 - Measurement types and measuring ranges, 423
 - Parameter, 424, 567
 - Properties, 412
 - Supplementary information, 425
 - Technical specifications, 416
 - Terminal assignment, 413
- SM 331, AI 8 x 12 bit
 - Parameters, 365
- SM 331, AI 8 x 12 Bit
 - Measurement types and measuring ranges, 363
 - Supplementary information, 366
- SM 331, AI 8 x 12-bit
 - Properties, 353
 - Technical specifications, 359
 - Wiring diagram, 354
- SM 331, AI 8 x 13 Bit
 - Dataset 1, structure, 557
 - Measurement types and measuring ranges, 348
 - Properties, 340
 - Supplementary information, 350
 - Wiring diagram, 340
- SM 331, AI 8 x 14 Bit High Speed
 - Technical specifications, 332
- SM 331, AI 8 x 16 Bit
 - Dataset 1, structure, 561
 - Dataset 128, structure, 562
 - High-speed update of measured values, 308
 - Measurement types and measuring ranges, 323
 - Measurement types and ranges, 313
 - Parameter, 314, 324, 336
 - Parameters, 560
 - Properties, 307, 318
 - Supplementary information, 315, 325

- Technical specifications, 311, 320
 - Wiring diagram, 309, 319
- SM 331, AI 8 x RTD
 - Dataset 1, structure, 539
 - Dataset 128, structure, 540
 - Measurement types and measuring ranges, 387
 - Parameters, 389, 538
 - Properties, 380
 - Supplementary information, 391
 - Technical specifications, 383
 - Wiring diagram, 381
- SM 331, AI 8 x TC
 - Dataset 1, structure, 549
 - Dataset 128, structure, 550
 - Measurement types and measuring ranges, 404
 - Parameter, 405
 - Parameters, 548
 - Properties, 396
 - Supplementary information, 407
 - Technical specifications, 399
 - Wiring diagram, 396
- SM 332, AO 2 x 12 Bit
 - Output range, 473
 - Properties, 468
 - Supplementary information, 475
 - Technical specifications, 471
 - Wiring diagram, 468
- SM 332, AO 4 x 12 Bit
 - Output range, 465
 - Parameters, 466
 - Properties, 460
 - Supplementary information, 467
 - Technical specifications, 463
 - Wiring diagram, 460
- SM 332, AO 4 x 16 bit
 - Output range, 456
- SM 332, AO 4 x 16 Bit
 - Isochronous mode, 458
 - Parameters, 457
 - Technical specifications, 453
- SM 332, AO 4 x 16 Bit, isochrone
 - Properties, 450
 - Supplementary information, 459
 - Wiring diagram, 450
- SM 332, AO 8 x 12
 - Properties, 442
 - Supplementary information, 449
 - Wiring diagram, 442
- SM 332, AO 8 x 12 Bit
 - Dataset 1, structure, 578
 - Output range, 447
 - Parameter, 448
- Parameters, 474, 577
 - Technical specifications, 445
- SM 334, AI 4/AO 2 x 12 Bit
 - Measurement types and measuring ranges, 491
 - Output range, 491
 - Parameters, 490
- SM 334, AI 4/AO 2 x 12-bit
 - Properties, 484
 - Technical specifications, 486
 - Wiring diagram, 484
- SM 334, AI 4/AO 2 x 8/8 Bit
 - Addresses, 482
 - Measurement types and measuring ranges, 482
 - Output types and output ranges, 482
 - Technical specifications, 479
 - Unused channels, 483
 - Wiring diagram, 476
- SM 338
 - Cyclic encoder value acquisition, 502
 - Isochronous encoder value acquisition, 502
 - Isochronous mode, 500
 - POS input module, 499
- SM 338, POS-INPUT
 - Absolute value encoder (SSI), 505
 - Addressing, 507
 - Auxiliary voltage missing, 510
 - Causes of error and troubleshooting, 510
 - Channel error, 510
 - Channel fault, 510
 - Channel information available, 510
 - Code type, 505
 - Configuration error, 510
 - Diagnostic interrupt, 511
 - Diagnostic interrupt enable, 505, 505
 - Diagnostics, 509
 - Diagnostics data, 596, 597
 - Encoder error, 510
 - External error, 510
 - Freeze function, 506
 - Group error LED, 509
 - Incorrect parameters, 510
 - Internal error, 510
 - Interrupts, 511
 - Module error, 510
 - Monoflop time, 506
 - no parameters, 510
 - Programming error, 510
 - Scaling, 503, 506
 - SF LED, 509
 - Technical data, 512
 - Transmission rate, 505

- Watchdog time-out, 510
- Wiring diagram, 501
- SM 374, IN/OUT 16
 - Properties, 494
 - Technical data, 495
- Smoothing of analog input values, 290
- Spare parts, 616
- Standards, 14
- STEP 7 blocks for analog functions, 300
- Storage conditions, 21

T

- Technical specifications
 - EMV (Electromagnetic compatibility), 19
 - Shipping and storage conditions, 21
 - Standards and approvals, 14
- Test voltage, 25
- Thermocouple
 - external compensation, 254
 - General, 249
 - Internal compensation, 253
 - Operating principle, 251
 - Reference junction, 251, 255
 - Structure, 250
- Training center, 622
- Transmission rate
 - SM 338, POS-INPUT, 505

U

- UL approval, 15
- Underflow
 - Analog input module, 297

W

- Watchdog time-out
 - SM 338, POS-INPUT, 510
- Wirebreak
 - Analog input module,
 - Analog output module,
- WR_DPARM, SFC 56, 522
- WR_PARM, SFC 55, 522