



Air Gripper Unit for Collaborative Robots

Compliant with the CRX Series
FANUC CORPORATION
collaborative robot

Plug and Play
configuration for immediate use

FANUC CRX plug-in software Easy programming



JMHZ2-X7400B-CRX



More information
can be viewed here.

P-E20-26

Plug and Play

Air Gripper Unit for Collaborative Robots

FANUC CORPORATION

CRX-10iA, 10iA/L compliant



- Compact, lightweight product with high gripping force due to air operation
- An air gripper that realizes high rigidity and high precision due to its guide-integrated construction

With high-precision linear guide

Repeatability: ± 0.01 mm

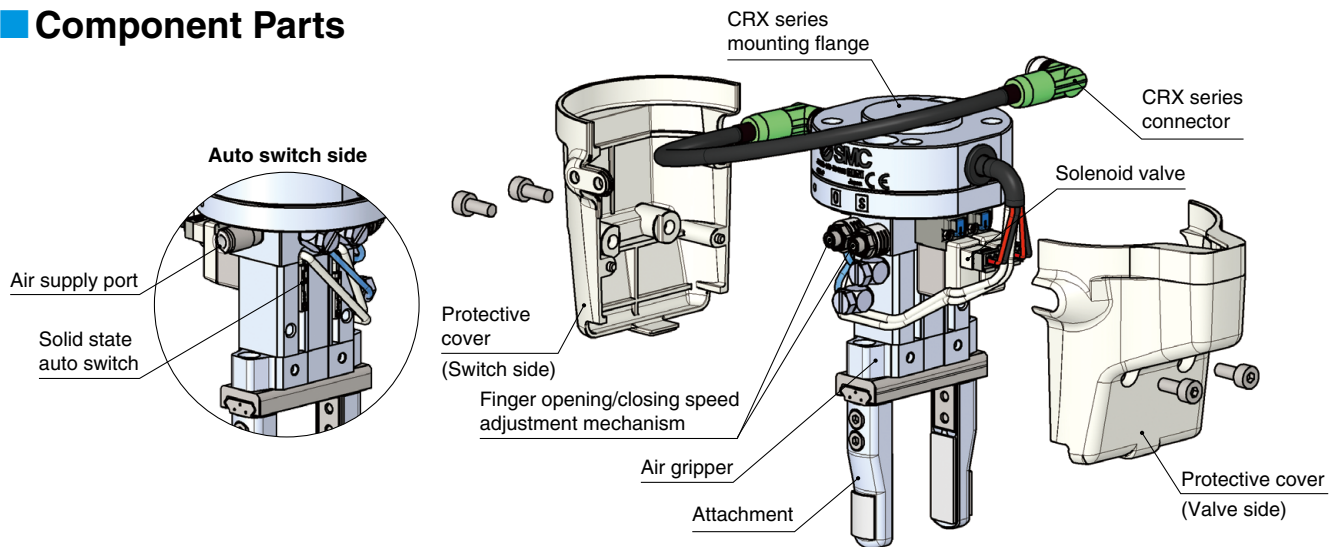
Linear guide of the higher rigidity and precision is used.

Higher rigidity (Compared with the same size of the existing MHZ2)

- Operate by simply connecting 1 air supply tube and an electrical wiring M8 connector.
- Integrated solenoid valve, speed adjustment mechanism, and auto switch
- FANUC CRX plug-in software
- A split protective cover for easy air gripper maintenance

Allows you to maintain the air gripper without removing the user-specific attachment

Component Parts



How to Order



JMHZ2-16D-X7400B-CRX

Specifications

Bore size [mm]	16	
Fluid	Air	
Action	Double acting	
Operating pressure [MPa]	0.1 to 0.7	
Repeatability [mm]	± 0.01	
Gripping force Effective value per finger [N]	External	32.7
	Internal	43.5
Opening/Closing stroke (Both sides) [mm]	10	
Weight [g]	430	
Standards	ISO9409-1-50-4-M6	
Auto switch model	D-M9P-5	
Connector type	M8 8-pin connector (Socket)	

■ **Included parts:** Piping tube ($\phi 4 \times 2$ m), Mounting bolt, Positioning pin

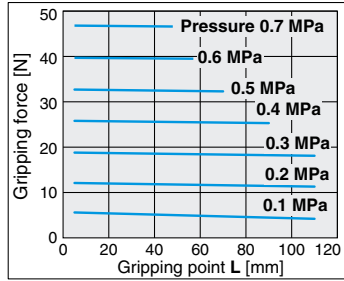
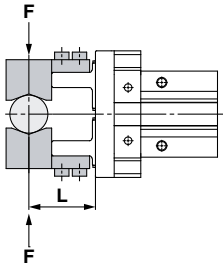
Characteristics

Gripping force

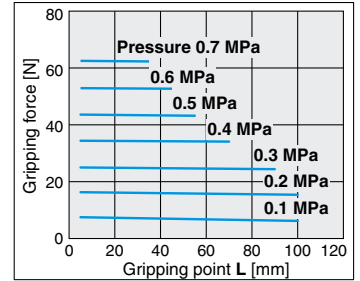
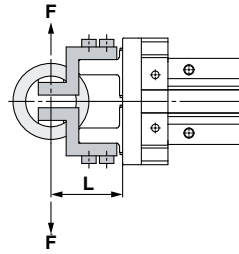
● Indication of effective gripping force

The gripping force shown in the graphs below represents the gripping force of one finger when all fingers and attachments are in contact with the workpiece. F = One finger thrust

External gripping force



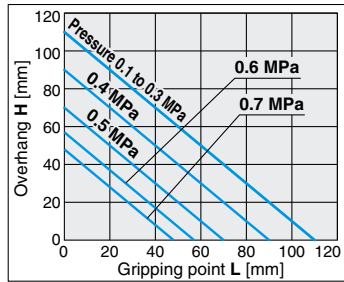
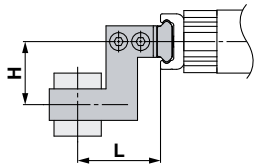
Internal gripping force



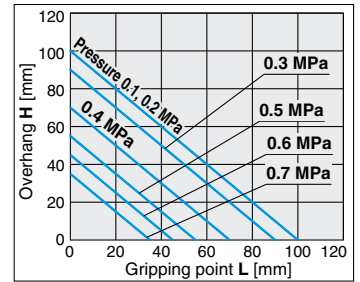
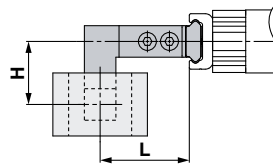
Gripping point

- The air gripper should be operated so that the workpiece gripping point "L" and the amount of overhang "H" stay within the range shown for each operating pressure given in the graphs below.
- If the workpiece gripping point goes beyond the range limits, this will have an adverse effect on the life of the air gripper.

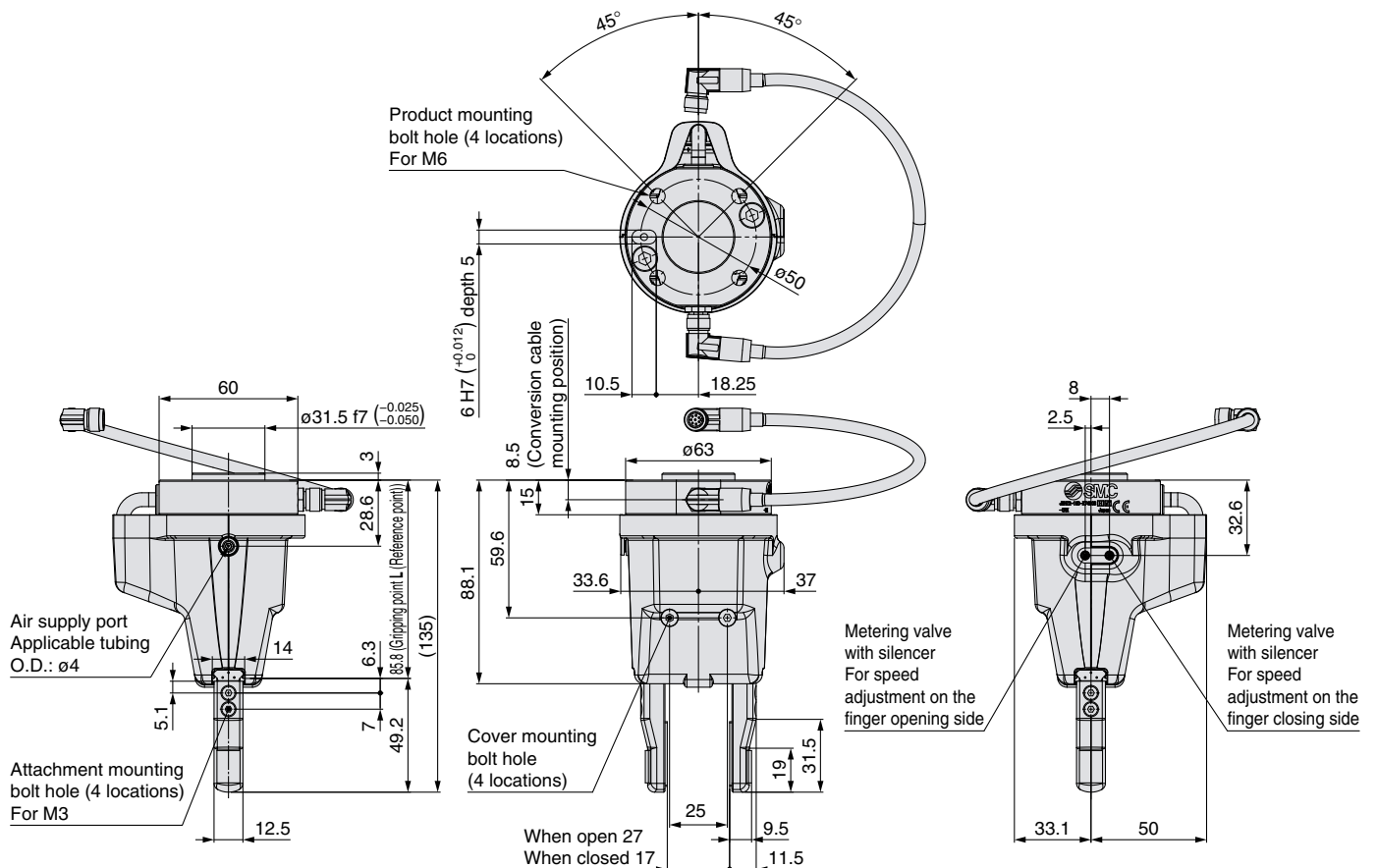
External grip



Internal grip



Dimensions



FANUC CRX Plug-in Software

More information
on the FANUC CRX
plug-in software
can be viewed here.

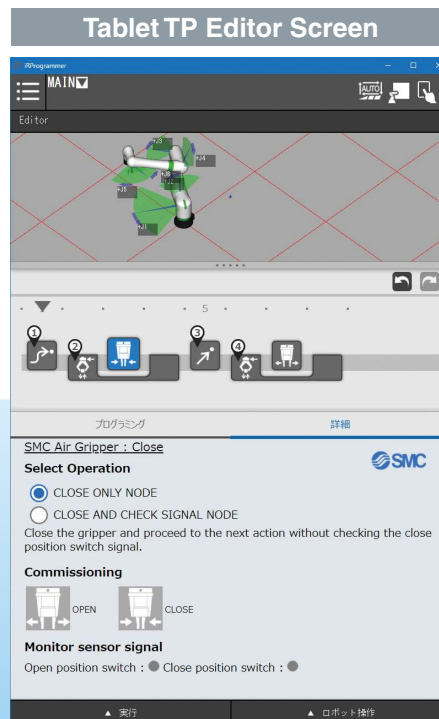
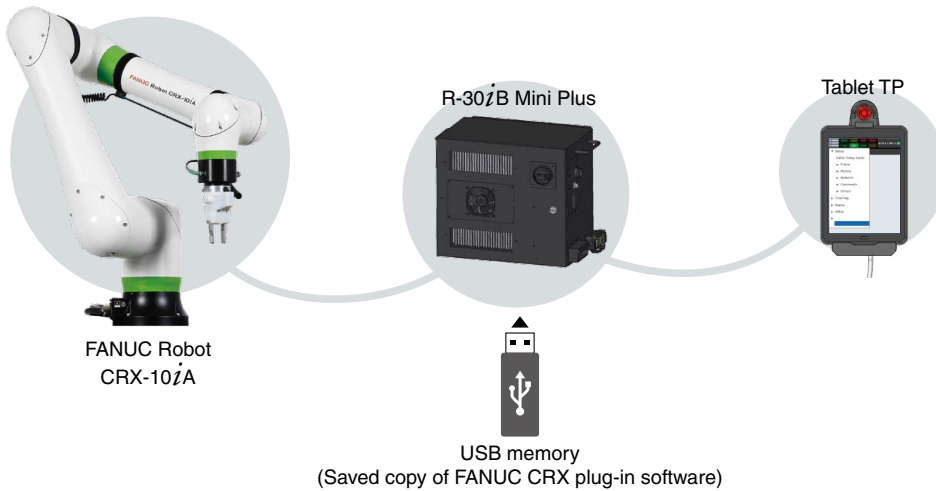


Easy programming

By using SMC's air gripper unit plug-in software, the dedicated setting window can be displayed and dedicated instructions can be executed.

The CRX plug-in software can be easily installed by inserting a USB stick containing the software (provided by SMC) into the control device.

* Please download the CRX plug-in software from the SMC website, and save it to a USB memory.



⚠ Safety Instructions Be sure to read the "Handling Precautions for SMC Products" (M-E03-3) and "Operation Manual" before use.