



Magnet Gripper for Collaborative Robots

YASKAWA Electric Corporation
collaborative robots
MOTOMAN-HC10/HC10DT compliant



Magnet gripper
for the MOTOMAN-HC10

Magnet gripper
for the MOTOMAN-HC10DT



MHM-X7400A-HC10/HC10DT



More information
can be viewed here.

P-E20-35

Magnet Gripper for Collaborative Robots

YASKAWA Electric Corporation
collaborative robots

MOTOMAN-HC10/HC10DT compliant

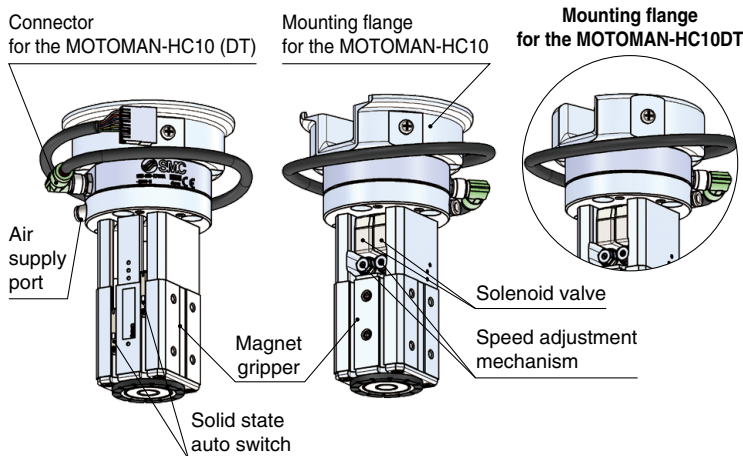


- Attracts and holds heavy objects with a magnet
- Supports workpieces with holes and uneven surfaces
- Compact with high holding force
 - | Holding force: Max. **200 N** ($\phi 25$, Workpiece thickness 6 mm)
- Continues to hold workpieces even when the air is shut off
- Operate by simply connecting 1 air supply tube and an electrical wiring connector.
- Integrated solenoid valve, auto switch, and piston speed adjustment mechanism



Learn more about the MHM series here.

Component Parts



Specifications

Fluid		Air
Action		Double acting
Operating pressure [MPa]		0.2 to 0.6
Proof pressure [MPa]		0.9
Ambient and fluid temperatures [°C]		-10 to 50 (No freezing)
Holding force [N]	Workpiece thickness: 2 mm	160
	Workpiece thickness: 6 mm	200
Residual holding force [N]		0.3 or less
Lubrication		Non-lube
Weight [g]		800
Auto switch model		D-M9N, D-M9P
Connector type		Molex 51227-0800

■ **Included parts:** Robot mounting flange, Conversion cable, Mounting bolt, Piping tube ($\phi 4 \times 2$ m), Cable fixture

How to Order



MHM-25D-X7400A-**HC10**-**P**

Compatible robot

HC10	MOTOMAN-HC10
HC10DT	MOTOMAN-HC10DT

* The supplied flange differs depending on the product number.

Auto switch output type

Symbol	Auto switch model	Output type
N	D-M9N	NPN
P	D-M9P	PNP

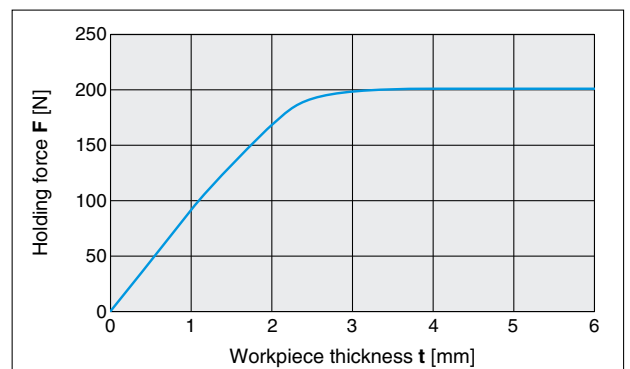
* It can be used with robot specifications with air piping.

Characteristics

Holding force

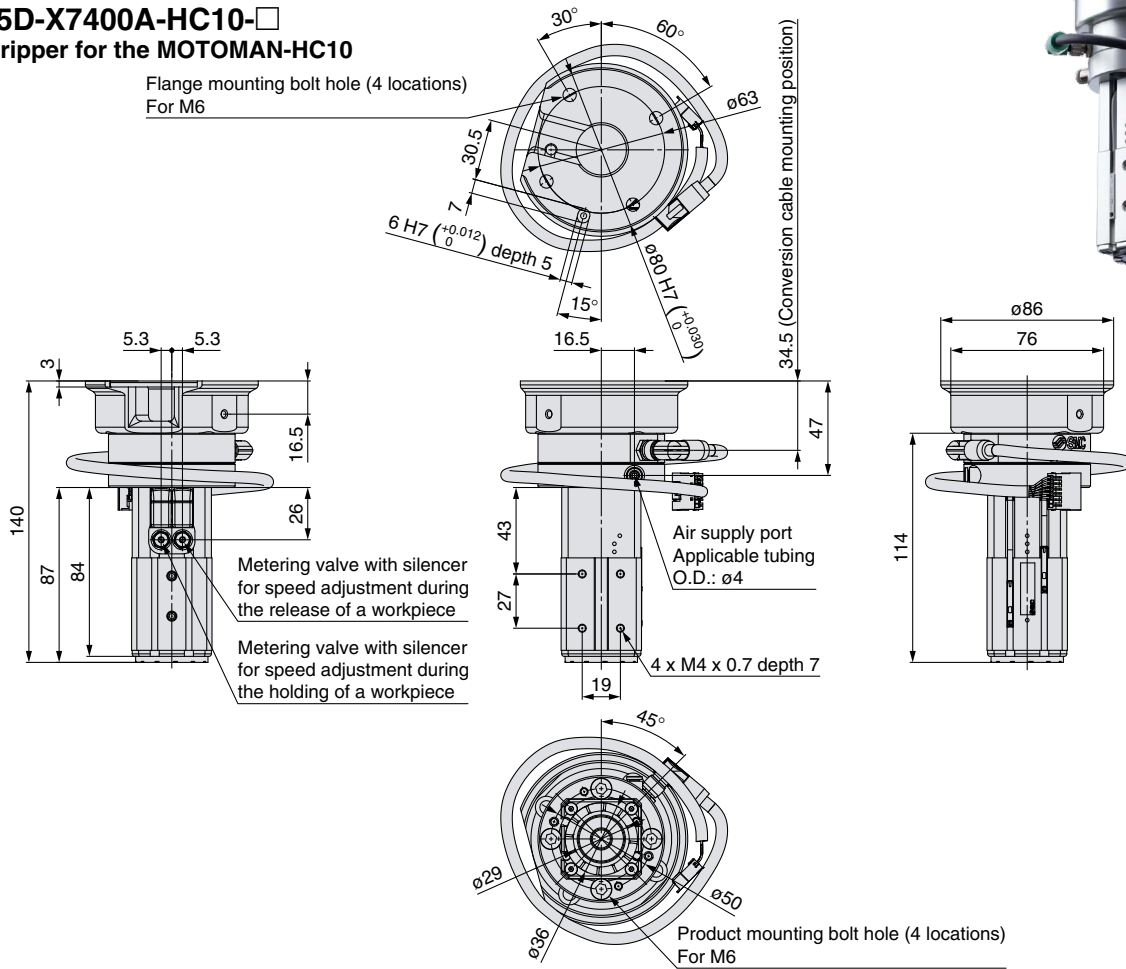
The holding force graph shows the theoretical value for low-carbon steel plates. Holding forces vary depending on the material and shape of the workpiece. Please perform a holding test while referring to the value selected based on the graph.

MHM-25

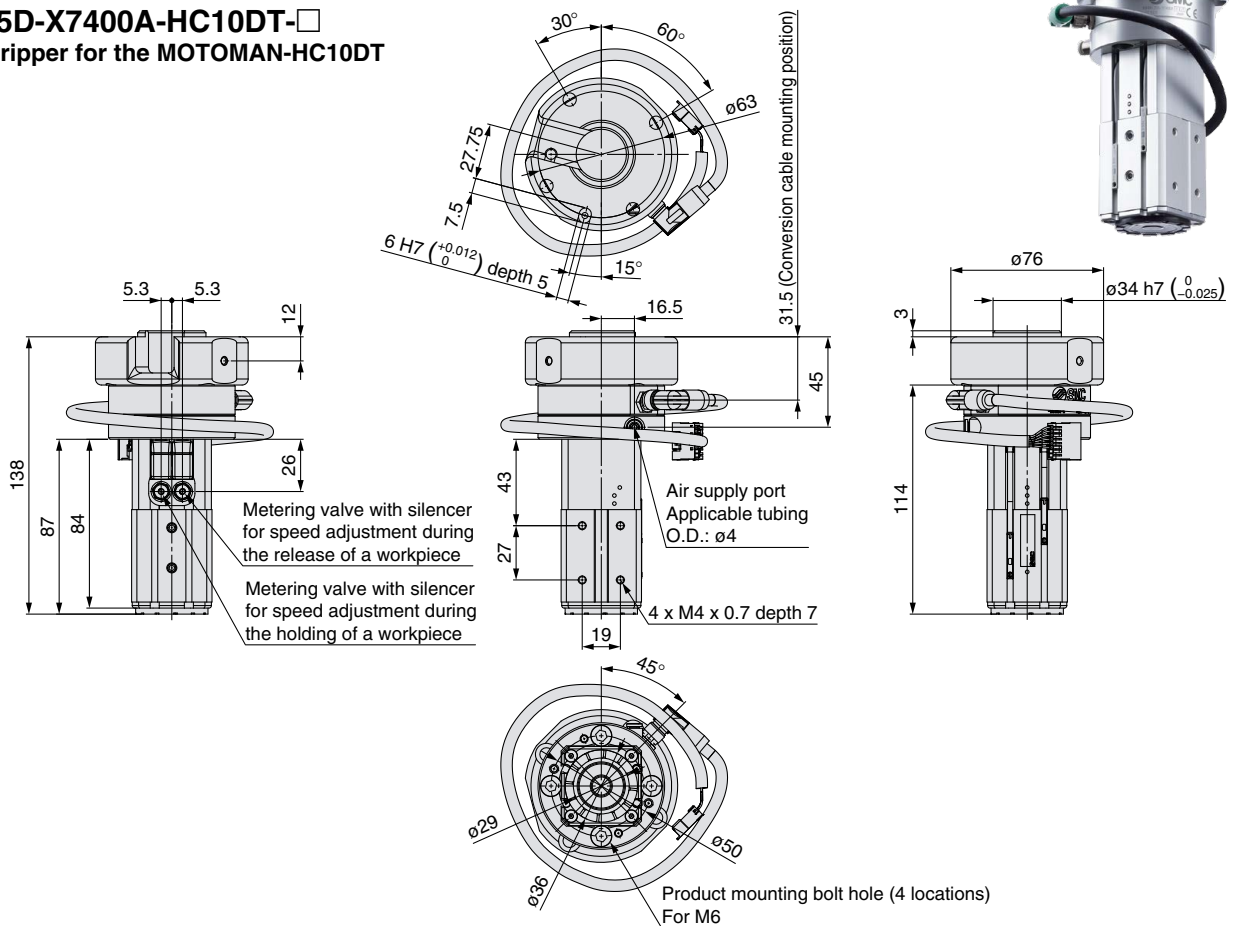


Dimensions

MHM-25D-X7400A-HC10-□ Magnet gripper for the MOTOMAN-HC10



MHM-25D-X7400A-HC10DT-□ Magnet gripper for the MOTOMAN-HC10DT





Magnet Gripper for Collaborative Robots

⚠ Safety Instructions Be sure to read the “Handling Precautions for SMC Products” (M-E03-3) and “Operation Manual” before use.

SMC Corporation

Akihabara UDX 15F,
4-14-1, Sotokanda, Chiyoda-ku, Tokyo 101-0021, JAPAN
Phone: 03-5207-8249 Fax: 03-5298-5362
<https://www.smcworld.com>
© 2021 SMC Corporation All Rights Reserved

Specifications are subject to change without prior notice
and any obligation on the part of the manufacturer.

D-G