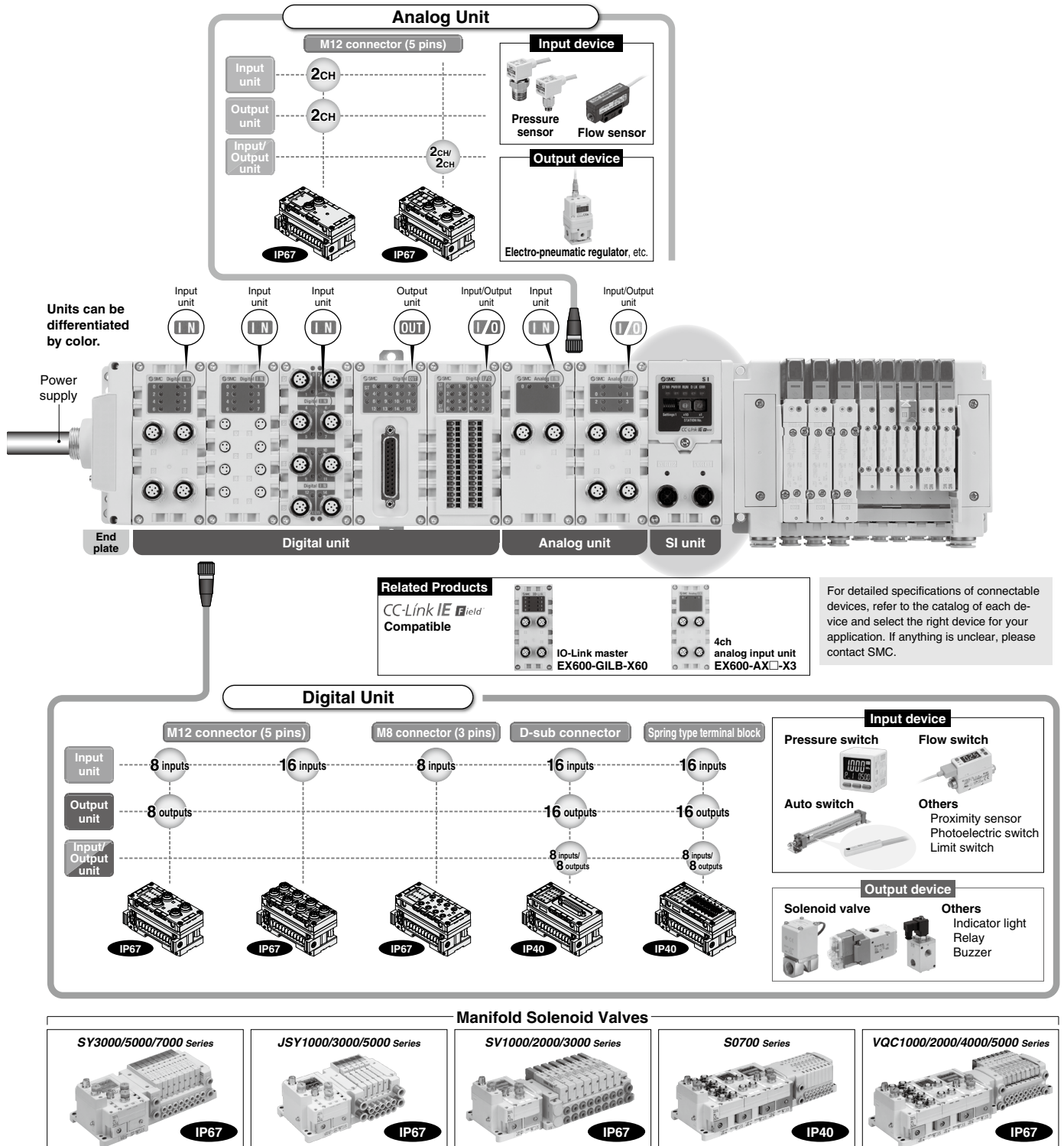


CC-Link IE Field™ Compatible Fieldbus System



Supports the CC-Link IE Field™ communication protocol

* CC-Link IE Field: Industrial Ethernet that supports a communication speed of 1 Gbps



EX600-SCF1-X60



EX600-SCF1-X60

How to Order

EX600 - S C F 1 - X60

Communication protocol

CF CC-Link IE Field

Output specification

1 32 outputs, PNP (Negative common)/Source

* Order the end plate and input/output units as a set to be used in combination.


Specifications

Item		Specifications
Communication	Protocol	CC-Link IE Field
	Station type	Intelligent device station
	Communication speed	1 Gbps
	Allowable station number setting	1 to 120
	Allowable network number setting	1 to 239
	Transmission method	Cyclic transmission
	Configuration file	CSP+
	Network topology	Star, Line, Ring
	Occupied input size	RX: 32 to 176 bits RW: 32 to 608 words
Occupied output size	RY: 32 to 176 bits RW: 32 to 608 words	
Internal current consumption (Power supply for control/input)		140 mA or less
Output	Output type	Source/PNP (Negative common)
	Number of outputs	32 outputs
	Connected load	Solenoid valve with surge voltage suppressor of 24 VDC and 1.0 W or less (made by SMC)
	Applicable valve manifold	SY3000, SY5000, SY7000 JSY1000, JSY3000, JSY5000 VQC1000, VQC2000, VQC4000, VQC5000 SV1000, SV2000, SV3000 S0700
	Power supply	24 VDC, 2 A
	Fail safe	HOLD/CLEAR
	Protection	Short-circuit protection
Operating temperature range		-10 to 50°C
Enclosure		IP67 (Manifold assembly)
Standards		CE marking (EMC directive/RoHS directive)
Weight		300 g or less

Please contact SMC for the operation manual and configuration file.

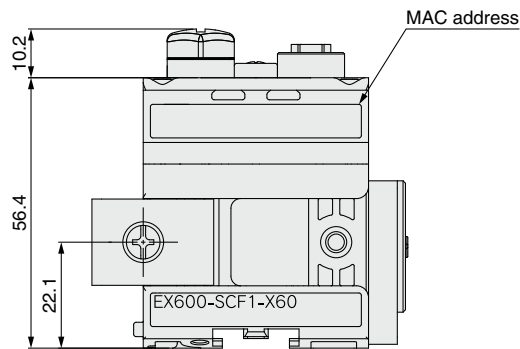
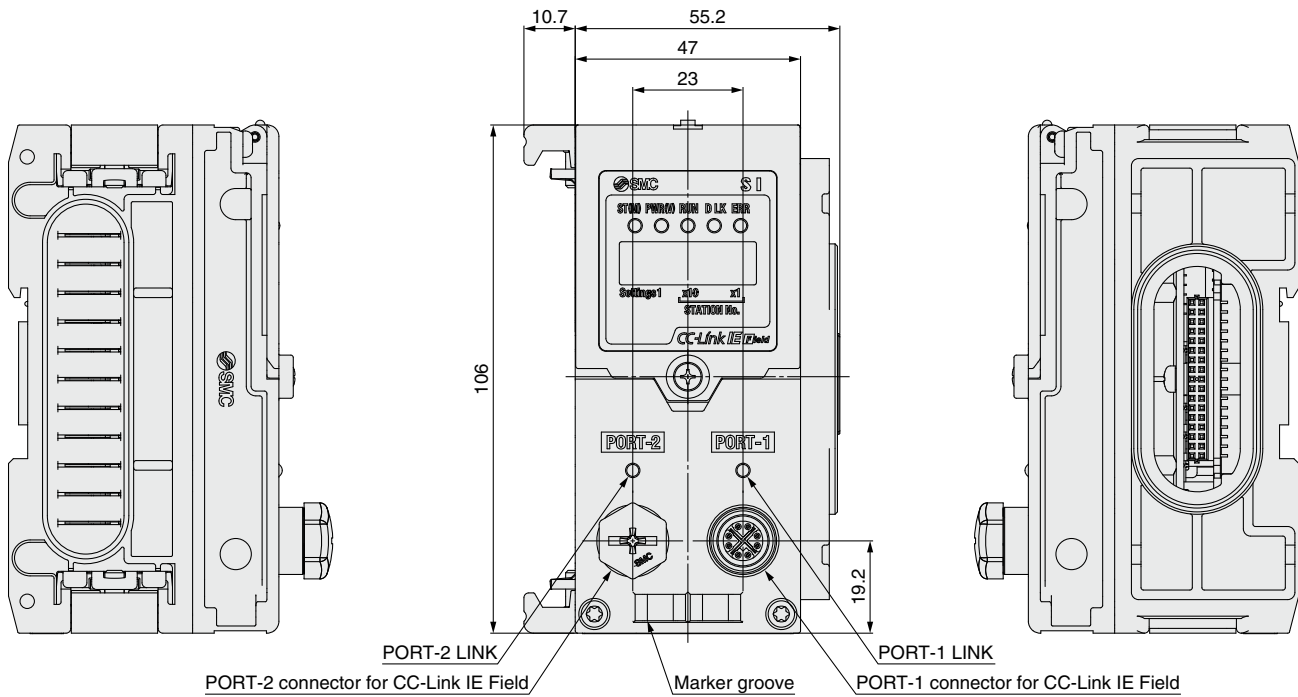
Refer to the catalog and the SMC website for other specifications of the EX600, end plate, and input/output units.

Wiring Specifications

Communication connector PORT 1 & PORT 2																			
<p>M12 8-pin socket, X-Coding (Cat.6A)</p>  <table border="1" data-bbox="319 1612 574 1881"> <thead> <tr> <th>No.</th> <th>Designation</th> </tr> </thead> <tbody> <tr><td>1</td><td>DA+</td></tr> <tr><td>2</td><td>DA-</td></tr> <tr><td>3</td><td>DB+</td></tr> <tr><td>4</td><td>DB-</td></tr> <tr><td>5</td><td>DD+</td></tr> <tr><td>6</td><td>DD-</td></tr> <tr><td>7</td><td>DC-</td></tr> <tr><td>8</td><td>DC+</td></tr> </tbody> </table>	No.	Designation	1	DA+	2	DA-	3	DB+	4	DB-	5	DD+	6	DD-	7	DC-	8	DC+	<p>Communication cable examples</p> <p>[M12 connector — RJ45 connector] (made by PHOENIX CONTACT) NBC-MSX/1,0-94F/R4AC SCO (Order No.1407471)(1 m) NBC-MSX/2,0-94F/R4AC SCO (Order No.1407472)(2 m) NBC-MSX/5,0-94F/R4AC SCO (Order No.1407473)(5 m)</p> <p>(made by Mitsubishi Electric System & Service Co., Ltd.) SC-E5EW-SX□*1M (For indoor use) SC-E5EW-SX□*2M-MV (For indoor moving parts) *1 The specified length (cable length) goes into the □. Units of 1 to 100 m/1 m *2 The specified length (cable length) goes into the □. Units of 1 to 45 m/1 m</p> <p>[M12 connector — M12 connector] (made by PHOENIX CONTACT) NBC-MSX/1,0-94F/MSX SCO (Order No.1407483)(1 m) NBC-MSX/2,0-94F/MSX SCO (Order No.1407484)(2 m) NBC-MSX/5,0-94F/MSX SCO (Order No.1407485)(5 m)</p> <p>(made by Mitsubishi Electric System & Service Co., Ltd.) SC-E5EW-X□*1M (For indoor use) SC-E5EW-X□*2M-MV (For indoor moving parts) *1 The specified length (cable length) goes into the □. Units of 1 to 100 m/1 m *2 The specified length (cable length) goes into the □. Units of 1 to 45 m/1 m</p>
No.	Designation																		
1	DA+																		
2	DA-																		
3	DB+																		
4	DB-																		
5	DD+																		
6	DD-																		
7	DC-																		
8	DC+																		
<p>⚠ Caution Communication cables need to be ordered directly from each company.</p>																			


Dimensions

[mm]



Caution

1. For the dimensions when combined with the valve manifold, use the valve manifold dimensions of the standard EX600 series.
2. Order the valve manifold, end plate, and input/output units separately.
Specify "without SI unit" and "negative common" or "non-polar" for the valve manifold specifications.

 **Safety Instructions** Be sure to read the "Handling Precautions for SMC Products" (M-E03-3) and "Operation Manual" before use.