

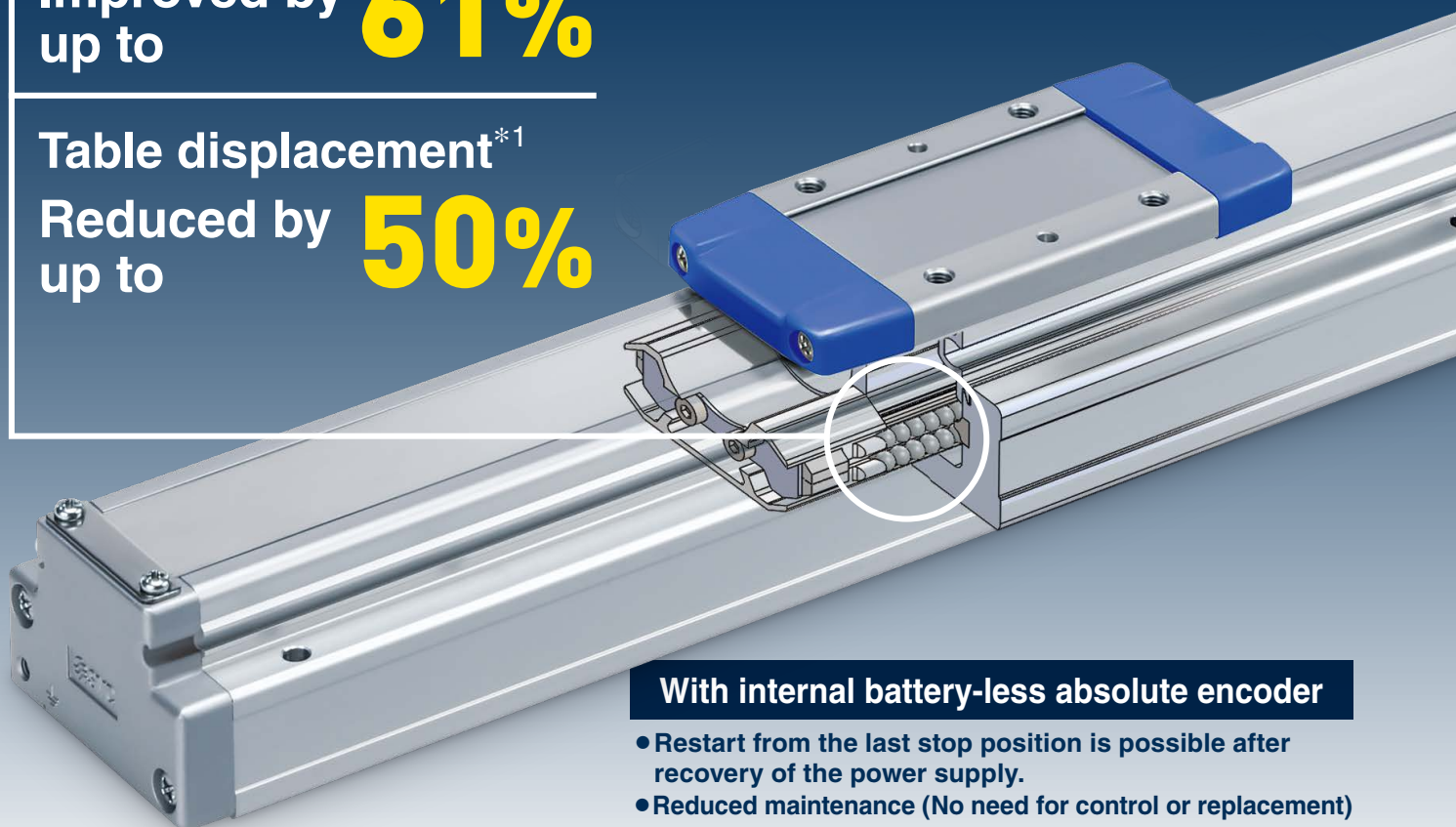
# Electric Actuator High Rigidity and High Precision Slider Type



## Circular arc grooves allow for high rigidity and high precision.

Moment resistance<sup>\*1 \*2</sup>  
Improved by **61%**  
up to

Table displacement<sup>\*1</sup>  
Reduced by **50%**  
up to



**With internal battery-less absolute encoder**

- Restart from the last stop position is possible after recovery of the power supply.
- Reduced maintenance (No need for control or replacement)

**Positioning repeatability:  $\pm 0.01$  mm<sup>\*3</sup>**

\*1 Compared with the LEFS  
\*2 Size 40, Mep, Overhang: 300 mm  
\*3 Excludes the lead H

Step Motor Controller JXC Series **p.3**



**Battery-less Absolute Type (Step Motor 24 VDC)**

■ Direct input type

<Applicable network> Ether**CAT**™ **EtherNet/IP**™ **PROFINET**™ **DeviceNet**™ **IO-Link**™ **CC-Link**™

■ Step data input type



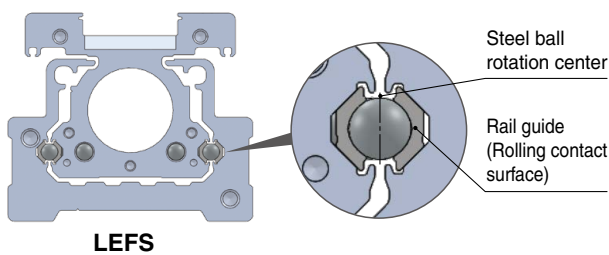
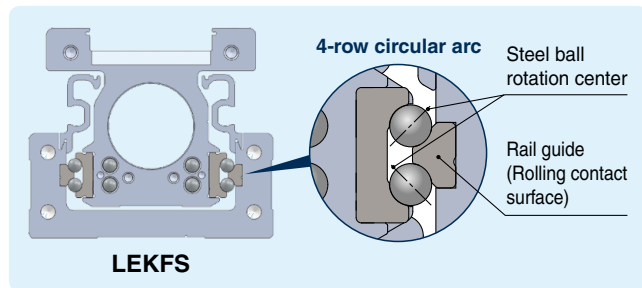
# LEKFS Series



P-E21-6

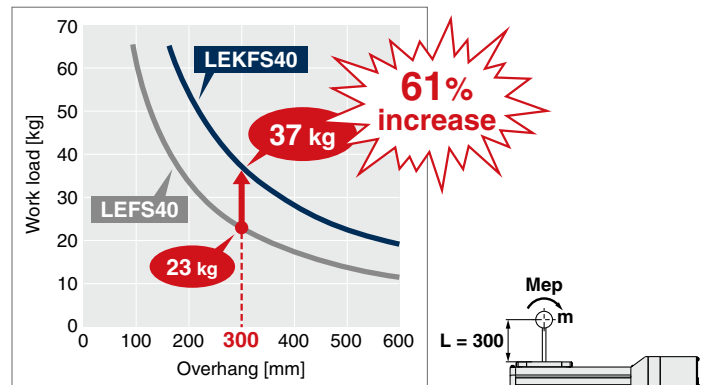
# With a 4-row circular arc on each side for high rigidity and high precision (zero clearance)

## Improved moment resistance

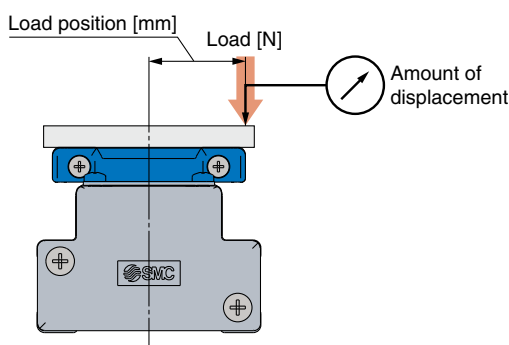


## Improved Dynamic Allowable Moment

Size	Moment direction	Work load [kg] (Overhang: 300 mm)	
		High rigidity guide LEKFS	LEFS
25	Pitching (Mep)	7.5 (10% increase)	6.8
32		18 (35% increase)	13.3
40		37 (61% increase)	23



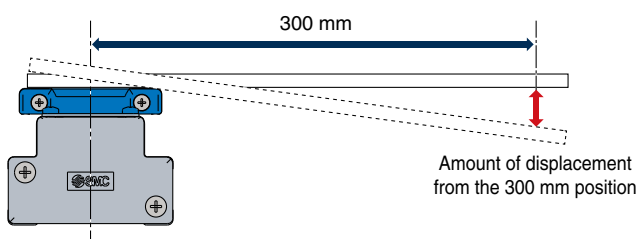
## Table displacement amount reduced to 1/2



## Table Displacement

Size	Table displacement [mm]		Load position [mm]	Load [N]
	High rigidity guide LEKFS	LEFS		
25	0.022 (50% reduction)	0.044	25	200
32	0.036 (50% reduction)	0.072	30	450
40	0.027 (50% reduction)	0.053	37	500

## Zero table clearance



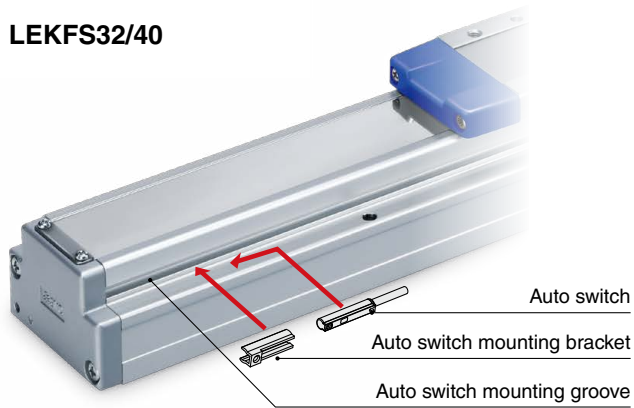
## Table Clearance

Size	Displacement due to table clearance [mm]	
	High rigidity guide LEKFS	LEFS
25	0	0.079
32	0	0.068
40	0	0.052

## Auto switches are mountable.

Allows for position detection of the table throughout the stroke

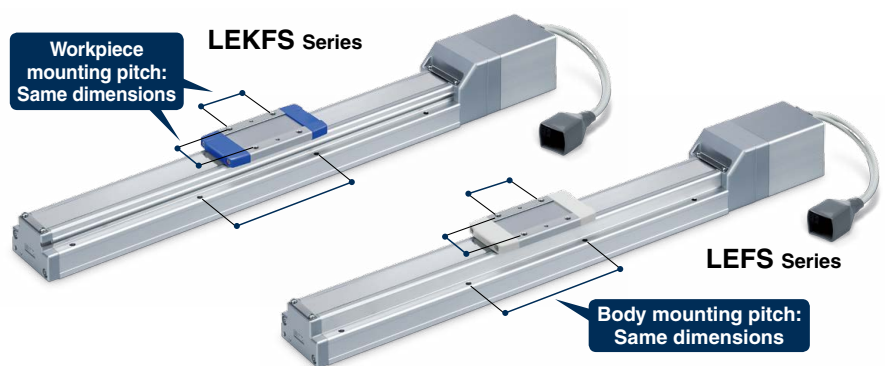
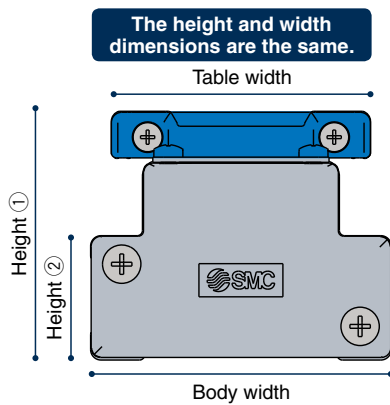
LEKFS32/40



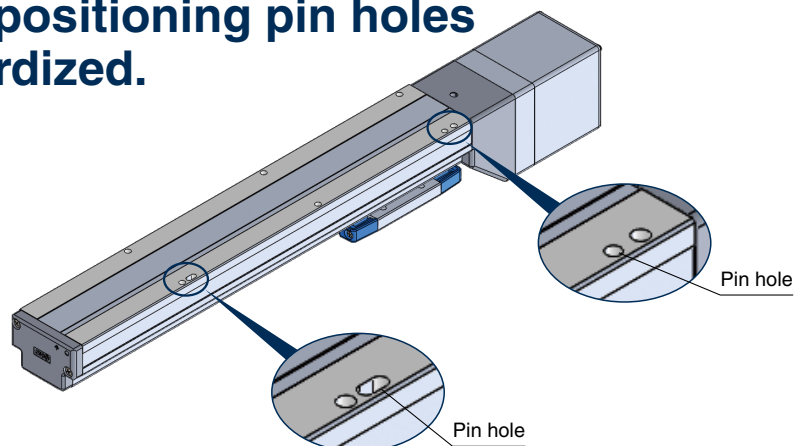
LEKFS25



## Same dimensions as the LEF/Complete mounting compatibility is ensured.



## The body bottom positioning pin holes have been standardized.



## Compatible Controllers

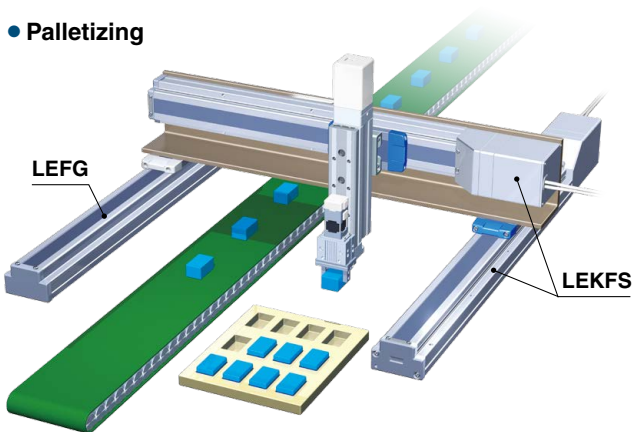
Battery-less Absolute Type (Step Motor 24 VDC)

### Step Motor Controller JXC Series

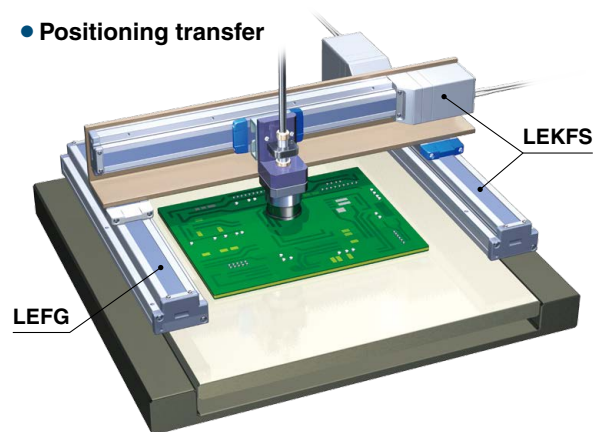
Direct input type						Step data input type
						
						
JXCE1	JXC91	JXCP1	JXCD1	JXCL1	JXCM1	JXC51 JXC61

## Application Examples

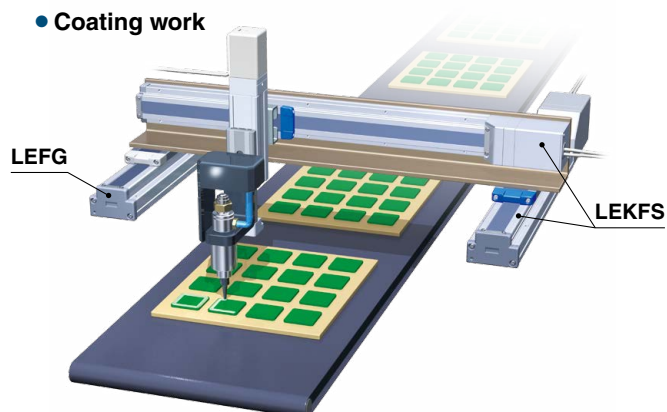
• Palletizing



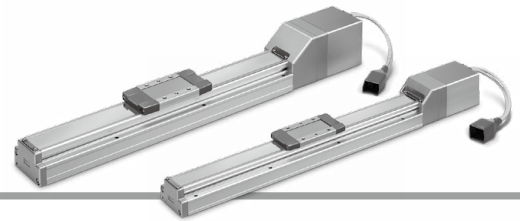
• Positioning transfer



• Coating work



# Model Selection



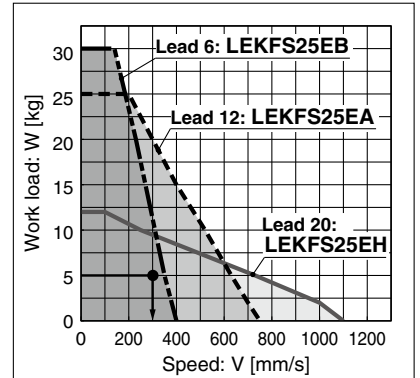
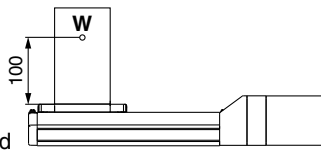
## Selection Procedure



## Selection Example

### Operating conditions

- Workpiece mass: 5 [kg]
- Speed: 300 [mm/s]
- Acceleration/Deceleration: 3000 [mm/s<sup>2</sup>]
- Stroke: 200 [mm]
- Mounting orientation: Horizontal upward
- Workpiece mounting condition:



<Speed-Work load graph>  
(LEKFS25/Step motor)

### Step 1 Check the work load-speed. <Speed-Work load graph> (pages 5, 6)

Select a model based on the workpiece mass and speed while referencing the speed-work load graph.  
Selection example) The **LEKFS25EB-200** can be temporarily selected as a possible candidate based on the graph shown on the right side.

### Step 2 Check the cycle time.

Calculate the **cycle time** using the following calculation method.

#### Cycle time:

T can be found from the following equation.

$$T = T1 + T2 + T3 + T4 \text{ [s]}$$

- T1: Acceleration time and T3: Deceleration time can be found by the following equation.

$$T1 = V/a1 \text{ [s]} \quad T3 = V/a2 \text{ [s]}$$

- T2: Constant speed time can be found from the following equation.

$$T2 = \frac{L - 0.5 \cdot V \cdot (T1 + T3)}{V} \text{ [s]}$$

- T4: Settling time varies depending on the conditions such as motor types, load and in position of the step data. Therefore, calculate the settling time while referencing the following value.

$$T4 = 0.2 \text{ [s]}$$

Calculation example)

T1 to T4 can be calculated as follows.

$$T1 = V/a1 = 300/3000 = 0.1 \text{ [s]}$$

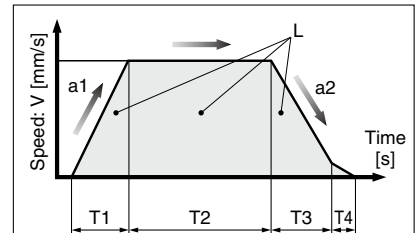
$$T3 = V/a2 = 300/3000 = 0.1 \text{ [s]}$$

$$T2 = \frac{L - 0.5 \cdot V \cdot (T1 + T3)}{V} = \frac{200 - 0.5 \cdot 300 \cdot (0.1 + 0.1)}{300} = 0.57 \text{ [s]}$$

$$T4 = 0.2 \text{ [s]}$$

The **cycle time** can be found as follows.

$$T = T1 + T2 + T3 + T4 = 0.1 + 0.57 + 0.1 + 0.2 = 0.97 \text{ [s]}$$

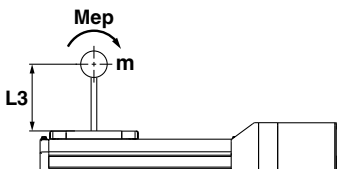


- L : Stroke [mm] ... (Operating condition)
- V : Speed [mm/s] ... (Operating condition)
- a1: Acceleration [mm/s<sup>2</sup>] ... (Operating condition)
- a2: Deceleration [mm/s<sup>2</sup>] ... (Operating condition)

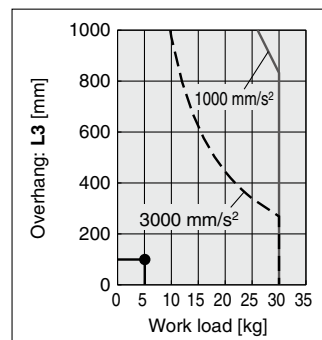
- T1: Acceleration time [s]  
Time until reaching the set speed
- T2: Constant speed time [s]  
Time while the actuator is operating at a constant speed
- T3: Deceleration time [s]  
Time from the beginning of the constant speed operation to stop
- T4: Settling time [s]  
Time until positioning is completed

### Step 3 Check the allowable moment. <Static allowable moment> (page 6) <Dynamic allowable moment> (page 7)

Confirm the moment that applies to the actuator is within the allowable range for both static and dynamic conditions.



Based on the above calculation result, the **LEKFS25EB-200** should be selected.



\* If the step motor and servo motors do not meet your specifications, also consider the AC servo specification.

# LEKFS Series

Battery-less Absolute (Step Motor 24 VDC)

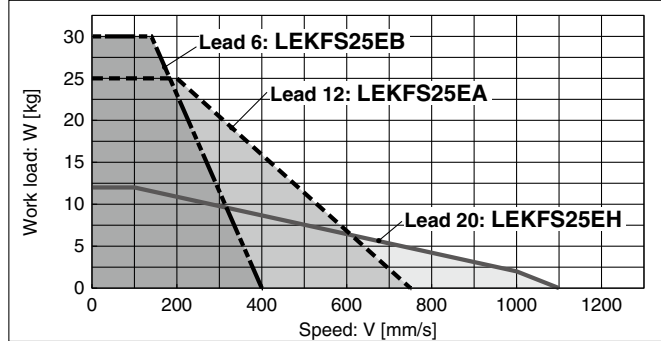
## Speed-Work Load Graph (Guide)

### For Battery-less Absolute (Step Motor 24 VDC), In-line Motor Type

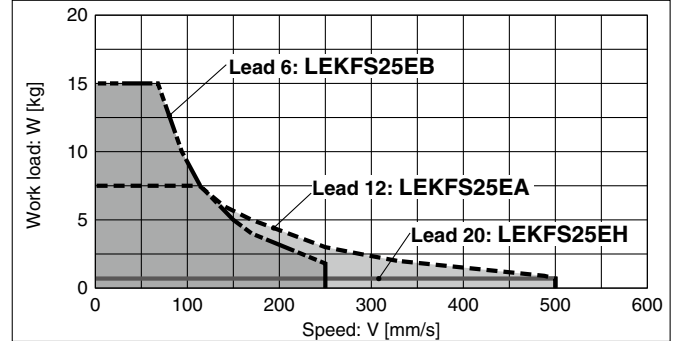
\* The following graphs show the values when the moving force is 100%.

#### LEKFS25/Ball Screw Drive

##### Horizontal

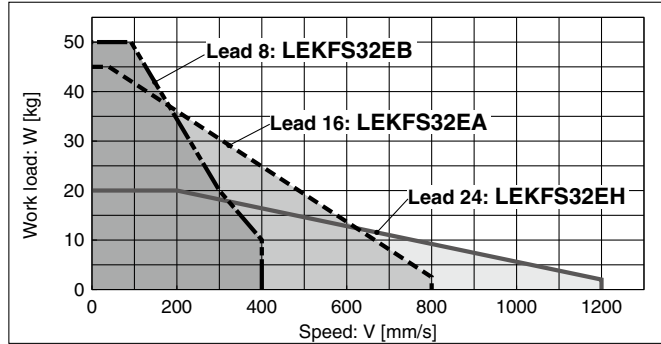


##### Vertical

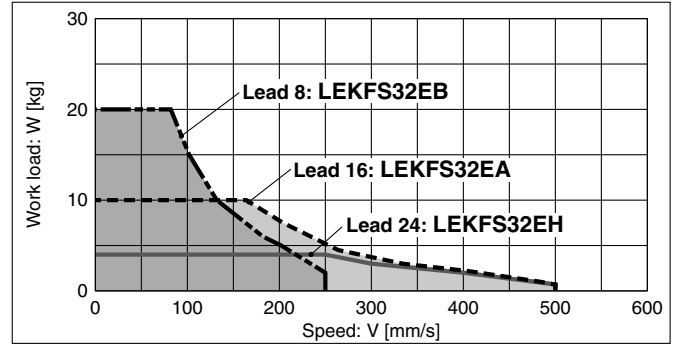


#### LEKFS32/Ball Screw Drive

##### Horizontal

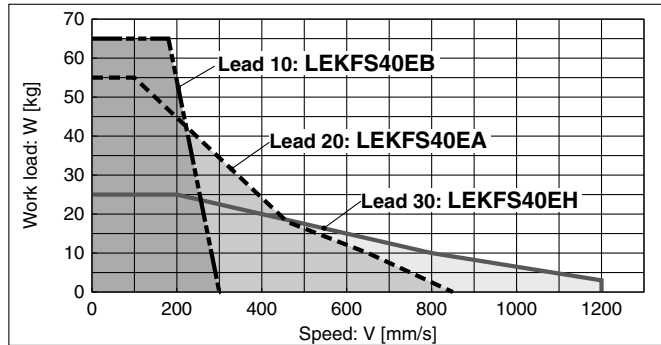


##### Vertical

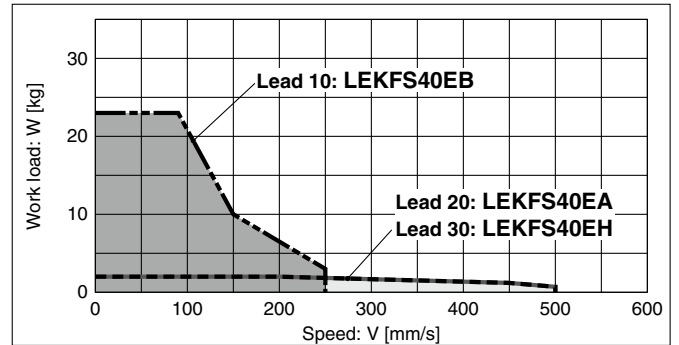


#### LEKFS40/Ball Screw Drive

##### Horizontal



##### Vertical

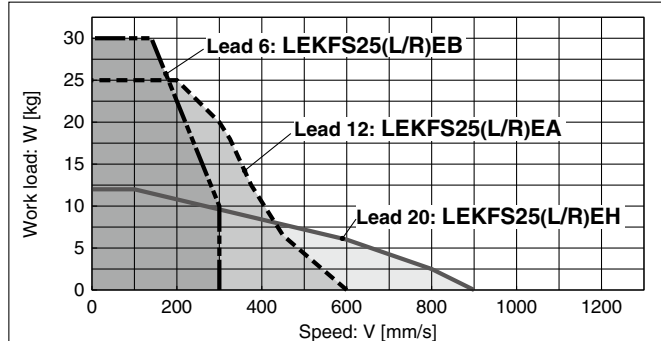


## Speed-Work Load Graph (Guide) For Battery-less Absolute (Step Motor 24 VDC), Motor Parallel Type

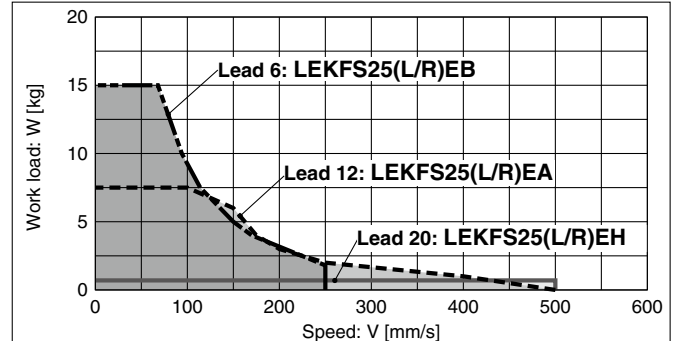
\* The following graphs show the values when the moving force is 100%.

### LEKFS25(L/R)/Ball Screw Drive

#### Horizontal

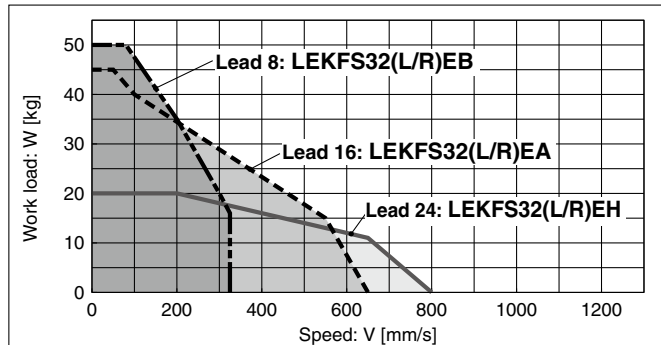


#### Vertical

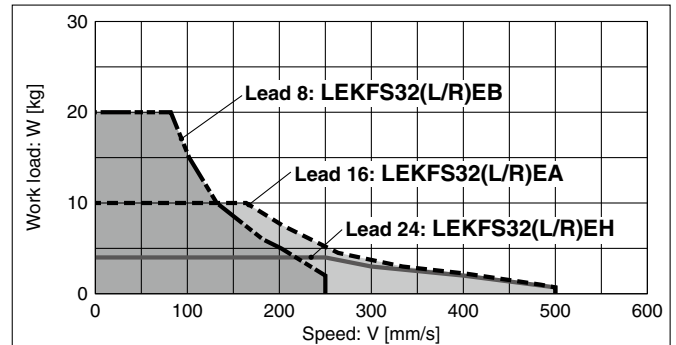


### LEKFS32(L/R)/Ball Screw Drive

#### Horizontal

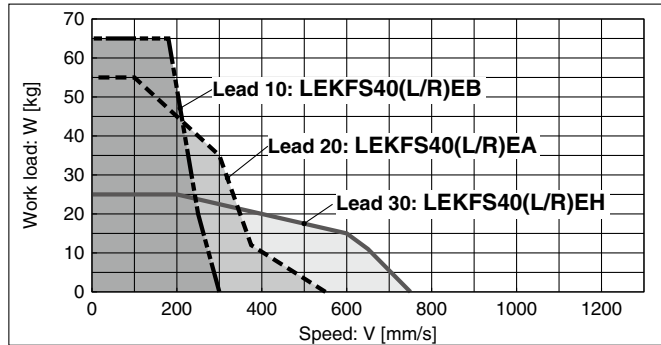


#### Vertical

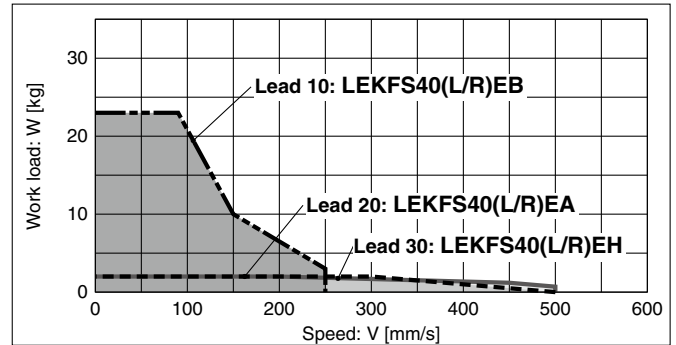


### LEKFS40(L/R)/Ball Screw Drive

#### Horizontal



#### Vertical



## Static Allowable Moment\*1

Model	LEKFS25	LEKFS32	LEKFS40
Pitching [N-m]	61	141	264
Yawing [N-m]	70	141	264
Rolling [N-m]	115	290	473

\*1 The static allowable moment is the amount of static moment which can be applied to the actuator when it is stopped.

If the product is exposed to impact or repeated load, be sure to take adequate safety measures when using the product.

# LEKFS Series

Battery-less Absolute (Step Motor 24 VDC)

\* These graphs show the amount of allowable overhang (guide unit) when the center of gravity of the workpiece overhangs in one direction. When selecting the overhang, refer to the "Calculation of Guide Load Factor" or the Electric Actuator Model Selection Software for confirmation: <https://www.smcworld.com>

## Dynamic Allowable Moment

Acceleration/Deceleration ——— 1000 mm/s<sup>2</sup> - - - 3000 mm/s<sup>2</sup>

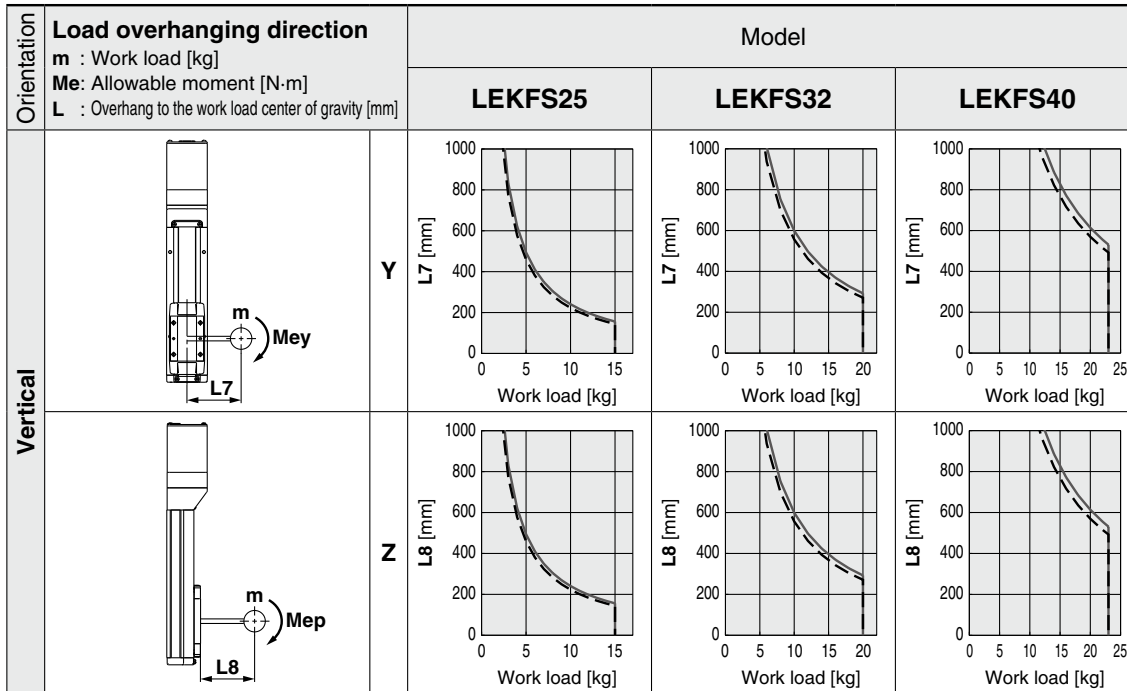
Orientation		Load overhanging direction m : Work load [kg] Me: Allowable moment [N·m] L : Overhang to the work load center of gravity [mm]	Model		
			LEKFS25	LEKFS32	LEKFS40
Horizontal/Bottom	X				
	Y				
	Z				
Wall	X				
	Y				
	Z				



\* These graphs show the amount of allowable overhang (guide unit) when the center of gravity of the workpiece overhangs in one direction. When selecting the overhang, refer to the "Calculation of Guide Load Factor" or the Electric Actuator Model Selection Software for confirmation: <https://www.smcworld.com>

## Dynamic Allowable Moment

Acceleration/Deceleration ——— 1000 mm/s<sup>2</sup> - - - 3000 mm/s<sup>2</sup>



## Calculation of Guide Load Factor

- Decide operating conditions.

Model: LEKFS

Size: 25/32/40

Acceleration [mm/s<sup>2</sup>]: a

Work load [kg]: m

Mounting orientation: Horizontal/Bottom/Wall/Vertical

Work load center position [mm]: Xc/Yc/Zc

- Select the target graph while referencing the model, size, and mounting orientation.

- Based on the acceleration and work load, find the overhang [mm]: Lx/Ly/Lz from the graph.

- Calculate the load factor for each direction.

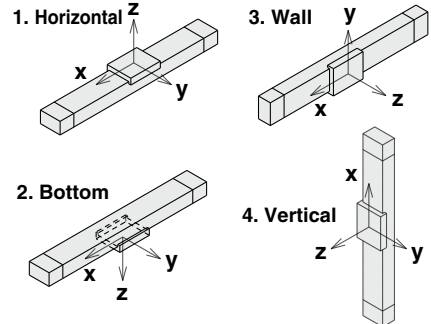
$$\alpha_x = X_c/L_x, \alpha_y = Y_c/L_y, \alpha_z = Z_c/L_z$$

- Confirm the total of  $\alpha_x$ ,  $\alpha_y$ , and  $\alpha_z$  is 1 or less.

$$\alpha_x + \alpha_y + \alpha_z \leq 1$$

When 1 is exceeded, please consider a reduction of acceleration and work load, or a change of the work load center position and series.

### Mounting orientation



### Example

- Operating conditions

Model: LEKFS40

Size: 40

Mounting orientation: Horizontal

Acceleration [mm/s<sup>2</sup>]: 3000

Work load [kg]: 20

Work load center position [mm]: Xc = 0, Yc = 50, Zc = 200

- Select the graphs for horizontal of the LEKFS40 on page 7.

- Lx = 400 mm, Ly = 250 mm, Lz = 1500 mm

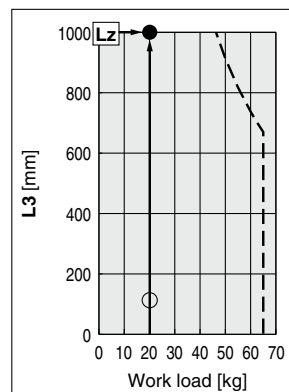
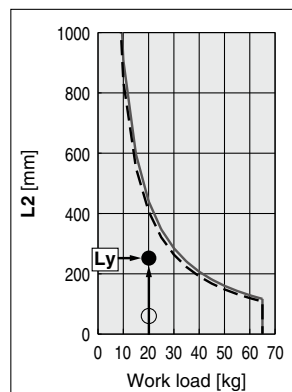
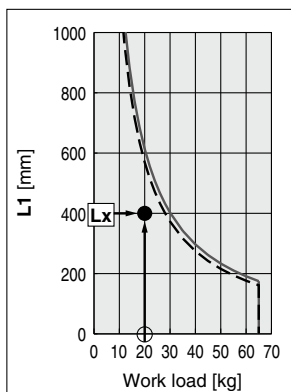
- The load factor for each direction can be found as follows.

$$\alpha_x = 0/400 = 0$$

$$\alpha_y = 50/250 = 0.2$$

$$\alpha_z = 200/1500 = 0.13$$

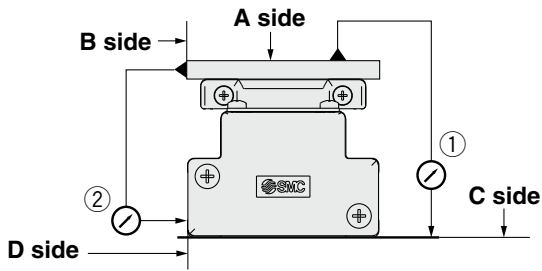
- $\alpha_x + \alpha_y + \alpha_z = 0.33 \leq 1$



# LEKFS Series

Battery-less Absolute (Step Motor 24 VDC)

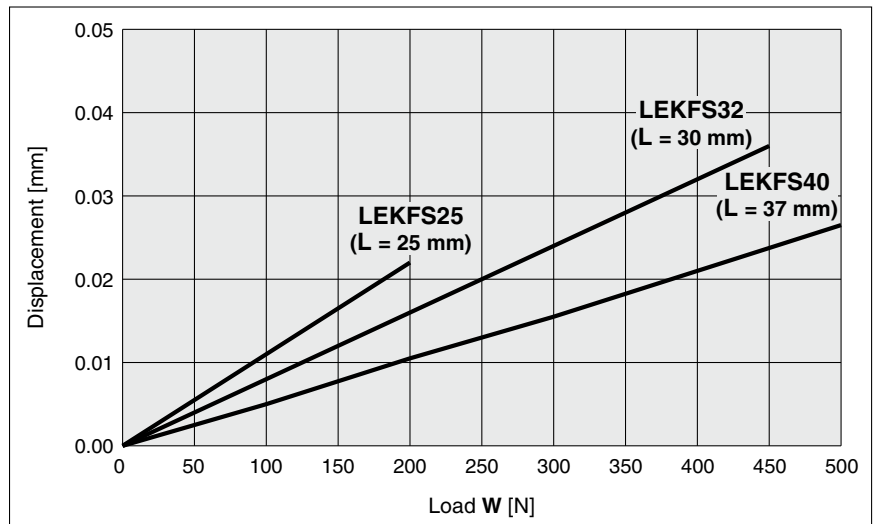
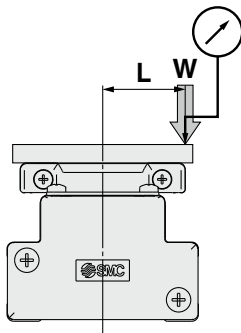
## Table Accuracy (Reference Value)



Model	Traveling parallelism [mm] (Every 300 mm)	
	① C side traveling parallelism to A side	② D side traveling parallelism to B side
<b>LEKFS25</b>	0.04	0.02
<b>LEKFS32</b>	0.04	0.02
<b>LEKFS40</b>	0.04	0.02

\* Traveling parallelism does not include the mounting surface accuracy.

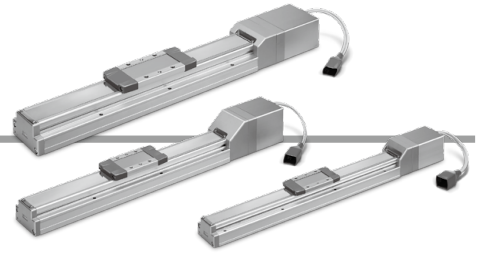
## Table Displacement (Reference Value)



\* This displacement is measured when a 15 mm aluminum plate is mounted and fixed on the table.



# Battery-less Absolute Encoder: Electric Actuator High Rigidity and High Precision Slider Type **LEKFS Series** LEKFS25, 32, 40



## How to Order

**LEKFS** 32   **E** **A** - 300   - **R1** CD17T

1  
 2  
 3  
 4  
 5  
 6  
 7  
 8

### 1 Size

25
32
40

### 2 Motor mounting position

Nil	In-line
R	Right side parallel
L	Left side parallel

### 3 Motor type

E	Battery-less absolute (Step motor 24 VDC)
---	--

### 4 Lead [mm]

Symbol	LEKFS25	LEKFS32	LEKFS40
H	20	24	30
A	12	16	20
B	6	8	10

### 5 Stroke\*1

Size	Stroke					
	100	200	300	400	500	600
25	●	●	●	●	●	—
32	●	●	●	●	●	—
40	—	●	●	●	●	●

### 6 Motor option

Nil	Without option
B	With lock

### 7 Actuator cable type/length

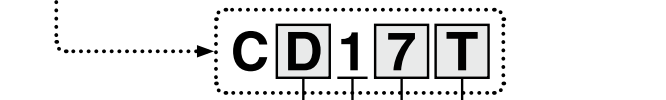
Robotic cable [m]			
Nil	None	R8	8*2
R1	1.5	RA	10*2
R3	3	RB	15*2
R5	5	RC	20*2

# Battery-less Absolute Encoder: Electric Actuator/High Rigidity and High Precision Slider Type **LEKFS Series**

Battery-less Absolute (Step Motor 24 VDC)

## 8 Controller

Nil	Without controller
C□1□□	With controller



### Interface (Communication protocol/Input/Output)

E	EtherCAT®
9	EtherNet/IP™
P	PROFINET
D	DeviceNet™
L	IO-Link
M	CC-Link Ver. 1.10
5	Parallel input (NPN)
6	Parallel input (PNP)

### Mounting

7	Screw mounting
8*3	DIN rail

• For single axis

### Communication plug connector, I/O cable\*4

Symbol	Type	Applicable interface
Nil	Without accessory	—
S	Straight type communication plug connector	DeviceNet™
T	T-branch type communication plug connector	CC-Link Ver. 1.10
1	I/O cable (1.5 m)	Parallel input (NPN) Parallel input (PNP)
3	I/O cable (3 m)	
5	I/O cable (5 m)	

- \*1 Please contact SMC for non-standard strokes as they are produced as special orders.
- \*2 Order auto switches separately. (For details, refer to the **Web Catalog**.)
- \*3 The DIN rail is not included. It must be ordered separately.

- \*4 Select "Nil" for anything other than DeviceNet™, CC-Link, or parallel input.  
Select "Nil," "S," or "T" for DeviceNet™ or CC-Link.  
Select "Nil," "1," "3," or "5" for parallel input.

## ⚠ Caution

### [CE-compliant products]

EMC compliance was tested by combining the electric actuator LEKFS series and the controller JXC series.

The EMC depends on the configuration of the customer's control panel and the relationship with other electrical equipment and wiring. Therefore, compliance with the EMC directive cannot be certified for SMC components incorporated into the customer's equipment under actual operating conditions. As a result, it is necessary for the customer to verify compliance with the EMC directive for the machinery and equipment as a whole.

### [UL-compliant products]

The JXC series controllers used in combination with electric actuators are UL certified.

### [Precautions relating to differences in controller versions]

When the JXC series is to be used in combination with the battery-less absolute encoder, use a controller that is version V3.4 or S3.4 or higher. For details, refer to the **Web Catalog**.

## The actuator and controller are sold as a package.

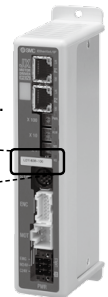
Confirm that the combination of the controller and actuator is correct.

### <Check the following before use.>

- \*1 Check the actuator label for the model number. This number should match that of the controller.

LEKFS25EB-400

\*1



- \* Refer to the Operation Manual for using the products. Please download it via our website: <https://www.smcworld.com>

## ■ Trademark

EtherNet/IP™ is a trademark of ODVA.

DeviceNet™ is a trademark of ODVA.

EtherCAT® is registered trademark and patented technology, licensed by Beckhoff Automation GmbH, Germany.

Type	EtherCAT® direct input type	EtherNet/IP™ direct input type	PROFINET direct input type	DeviceNet™ direct input type	IO-Link direct input type	CC-Link direct input type	Step data input type
Series	JXCE1	JXC91	JXCP1	JXCD1	JXCL1	JXCM1	JXC51 JXC61
Features	EtherCAT® direct input	EtherNet/IP™ direct input	PROFINET direct input	DeviceNet™ direct input	IO-Link direct input	CC-Link direct input	Parallel I/O
Compatible motor	Battery-less absolute (Step motor 24 VDC)						
Max. number of step data	64 points						
Power supply voltage	24 VDC						

# LEKFS Series

Battery-less Absolute (Step Motor 24 VDC)

## Specifications

### Battery-less Absolute (Step Motor 24 VDC)

Model			LEKFS25			LEKFS32			LEKFS40				
Actuator specifications	Stroke [mm]		100 to 500			100 to 500			200 to 600				
	Work load [kg] <sup>*1</sup>		Horizontal	12	25	30	20	45	50	25	55	65	
			Vertical	0.5	7.5	15	4	10	20	2	2	23	
	Speed <sup>*1</sup> [mm/s]	In-line	Stroke range	Up to 500	20 to 1100	12 to 750	6 to 400	24 to 1200	16 to 800	8 to 400	30 to 1200	20 to 850	10 to 300
				501 to 600	—	—	—	—	—	—	—	30 to 1200	20 to 850
		Parallel	Stroke range	Up to 500	20 to 900	12 to 600	6 to 300	24 to 800	16 to 650	8 to 325	30 to 750	20 to 550	10 to 300
				501 to 600	—	—	—	—	—	—	—	30 to 750	20 to 550
	Max. acceleration/deceleration [mm/s <sup>2</sup> ]		3000										
	Positioning repeatability [mm]		±0.01 (Lead H: ±0.02)										
	Lost motion [mm] <sup>*2</sup>		0.05										
Lead [mm]		20	12	6	24	16	8	30	20	10			
Impact/Vibration resistance [m/s <sup>2</sup> ] <sup>*3</sup>		50/20											
Actuation type		Ball screw											
Guide type		Linear guide											
Operating temperature range [°C]		5 to 40											
Operating humidity range [%RH]		90 or less (No condensation)											
Electric specifications	Motor size		□42			□56.4							
	Motor type		Battery-less absolute (Step motor 24 VDC)										
	Encoder		Battery-less absolute (4096 pulse/rotation)										
	Rated voltage [V]		24 VDC ±10%										
	Power consumption [W] <sup>*4</sup>		38			50			100				
	Standby power consumption when operating [W] <sup>*5</sup>		16			44			43				
Max. instantaneous power consumption [W] <sup>*6</sup>		57			123			141					
Lock unit specifications	Type <sup>*7</sup>		Non-magnetizing lock										
	Holding force [N]		47	78	157	72	108	216	75	113	225		
	Power consumption [W] <sup>*8</sup>		5			5			5				
	Rated voltage [V]		24 VDC ±10%										

\*1 Speed changes according to the work load. Check the "Speed-Work Load Graph (Guide)" on pages 5 and 6. Furthermore, if the cable length exceeds 5 m, then it will decrease by up to 10% for each 5 m.

\*2 A reference value for correcting errors in reciprocal operation

\*3 Impact resistance: No malfunction occurred when the actuator was tested with a drop tester in both an axial direction and a perpendicular direction to the lead screw. (The test was performed with the actuator in the initial state.)

Vibration resistance: No malfunction occurred in a test ranging between 45 to 2000 Hz. The test was performed in both an axial direction and a perpendicular direction to the lead screw. (The test was performed with the actuator in the initial state.)

\*4 The power consumption (including the controller) is for when the actuator is operating.

\*5 The standby power consumption when operating (including the controller) is for when the actuator is stopped in the set position during the operation.

\*6 The max. instantaneous power consumption (including the controller) is for when the actuator is operating. This value can be used for the selection of the power supply.

\*7 With lock only

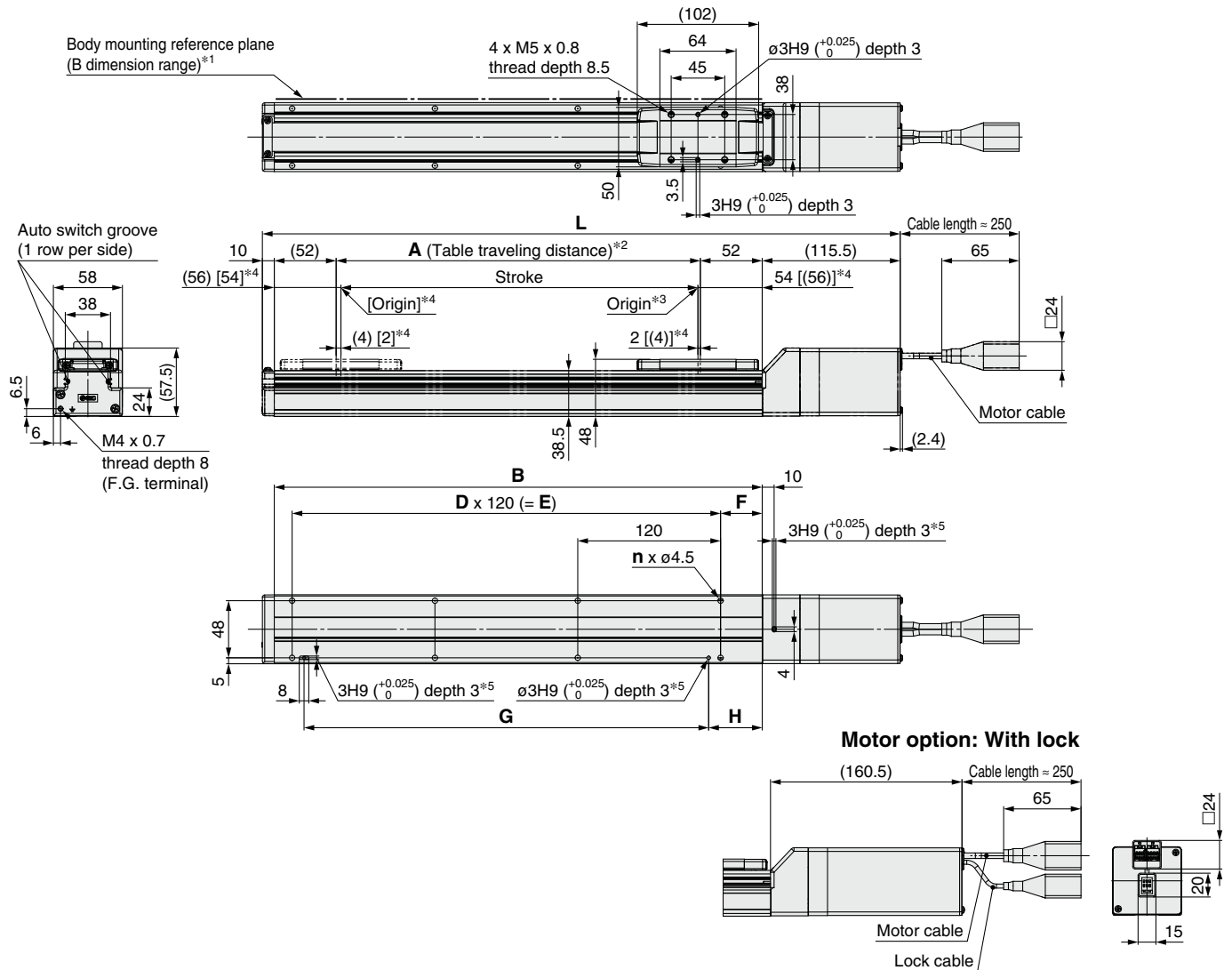
\*8 For an actuator with lock, add the power consumption for the lock.

# Battery-less Absolute Encoder: Electric Actuator/High Rigidity and High Precision Slider Type **LEKFS Series**

Battery-less Absolute (Step Motor 24 VDC)

## Dimensions: In-line Motor

### LEKFS25E



- \*1 When mounting the actuator using the body mounting reference plane, set the height of the opposite surface or pin to be 3 mm or more. (Recommended height: 5 mm)  
In addition, be aware that surfaces other than the body mounting reference plane (B dimension range) may slightly protrude from the body mounting reference plane. Be sure to provide a clearance of 1 mm or more to avoid interference with workpieces, facilities, etc.
- \*2 This is the distance within which the table can move when it returns to origin. Make sure workpieces mounted on the table do not interfere with other workpieces or the facilities around the table.
- \*3 Position after returning to origin
- \*4 [ ] for when the direction of return to origin has changed
- \*5 When using the positioning pin holes on the bottom, use either the one on the body side or the one on the housing side.

### Dimensions

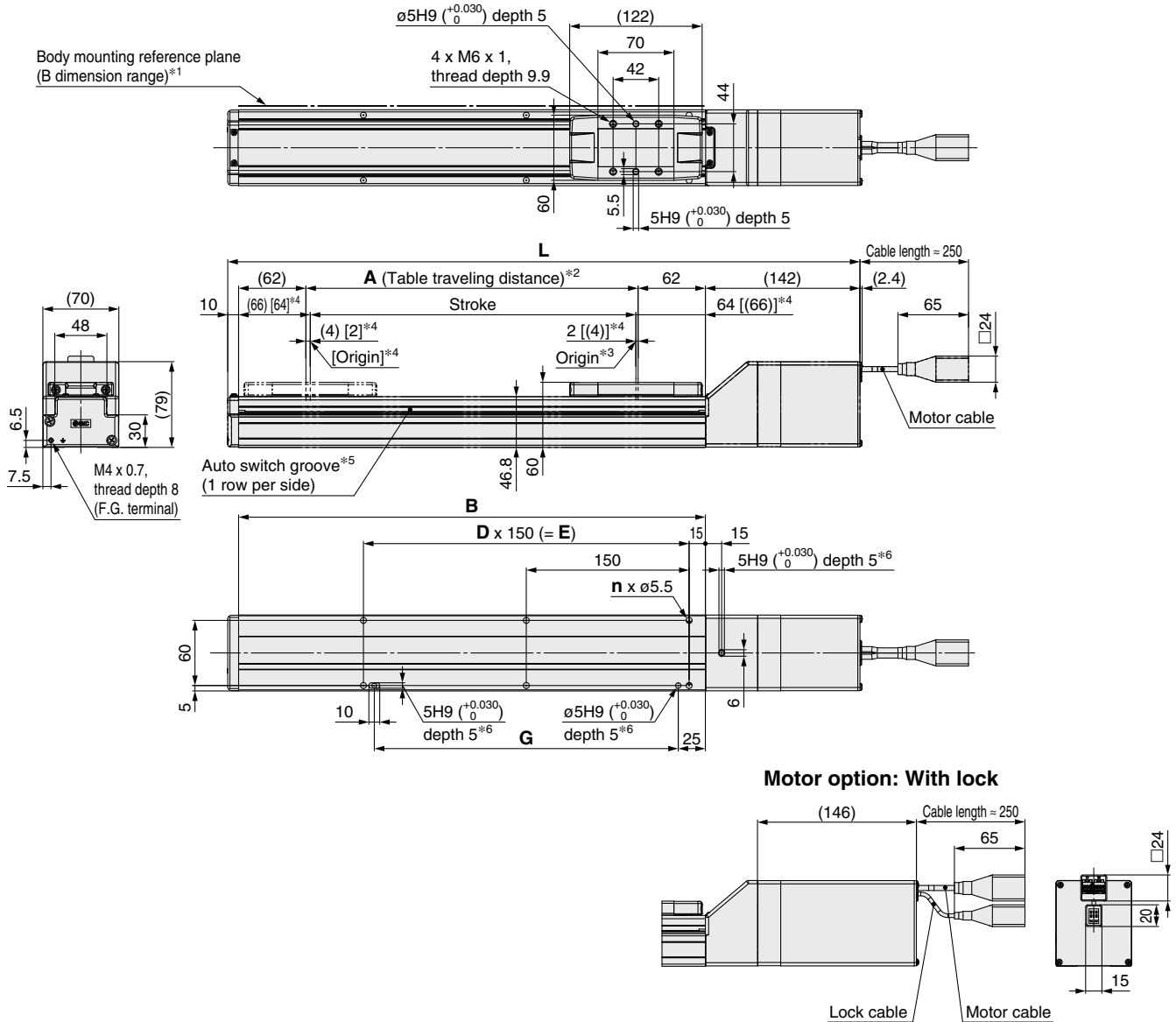
Model	L		A	B	n	D	E	F	G	H
	Without lock	With lock								
LEKFS25E□-100□	335.5	380.5	106	210	4	—	—	35	100	45
LEKFS25E□-200□	435.5	480.5	206	310	6	2	240		220	
LEKFS25E□-300□	535.5	580.5	306	410	8	3	360		340	
LEKFS25E□-400□	635.5	680.5	406	510	8	3	360		340	
LEKFS25E□-500□	735.5	780.5	506	610	10	4	480		460	

# LEKFS Series

Battery-less Absolute (Step Motor 24 VDC)

## Dimensions: In-line Motor

### LEKFS32E



- \*1 When mounting the actuator using the body mounting reference plane, set the height of the opposite surface or pin to be 3 mm or more. (Recommended height: 5 mm)  
In addition, be aware that surfaces other than the body mounting reference plane (B dimension range) may slightly protrude from the body mounting reference plane. Be sure to provide a clearance of 1 mm or more to avoid interference with workpieces, facilities, etc.
- \*2 This is the distance within which the table can move when it returns to origin. Make sure workpieces mounted on the table do not interfere with other workpieces or the facilities around the table.
- \*3 Position after returning to origin
- \*4 [ ] for when the direction of return to origin has changed
- \*5 A switch spacer (BM3-016) is required to secure auto switches. Please order it separately.
- \*6 When using the positioning pin holes on the bottom, use either the one on the body side or the one on the housing side.

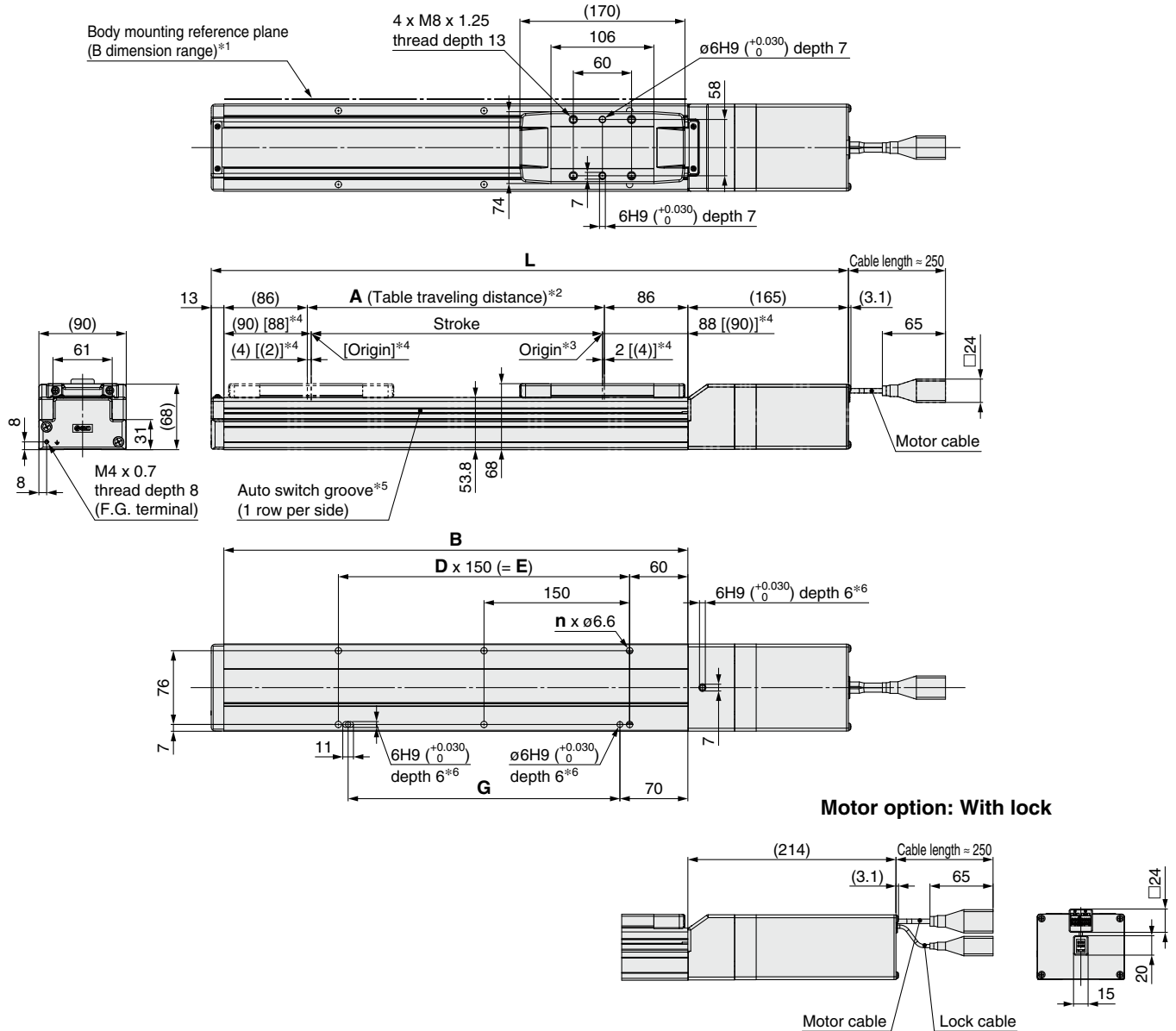
### Dimensions

Model	L		A	B	n	D	E	G
	Without lock	With lock						
LEKFS32E□-100□	382	434	106	230	4	—	—	130
LEKFS32E□-200□	482	534	206	330	6	2	300	280
LEKFS32E□-300□	582	634	306	430	6	2	300	280
LEKFS32E□-400□	682	734	406	530	8	3	450	430
LEKFS32E□-500□	782	834	506	630	10	4	600	580
LEKFS32E□-600□	882	934	606	730	10	4	600	580



## Dimensions: In-line Motor

### LEKFS40E



- \*1 When mounting the actuator using the body mounting reference plane, set the height of the opposite surface or pin to be 3 mm or more. (Recommended height: 5 mm)  
 In addition, be aware that surfaces other than the body mounting reference plane (B dimension range) may slightly protrude from the body mounting reference plane. Be sure to provide a clearance of 1 mm or more to avoid interference with workpieces, facilities, etc.
- \*2 This is the distance within which the table can move when it returns to origin. Make sure workpieces mounted on the table do not interfere with other workpieces or the facilities around the table.
- \*3 Position after returning to origin
- \*4 [ ] for when the direction of return to origin has changed
- \*5 A switch spacer (BMY3-016) is required to secure auto switches. Please order it separately.
- \*6 When using the positioning pin holes on the bottom, use either the one on the body side or the one on the housing side.

### Dimensions

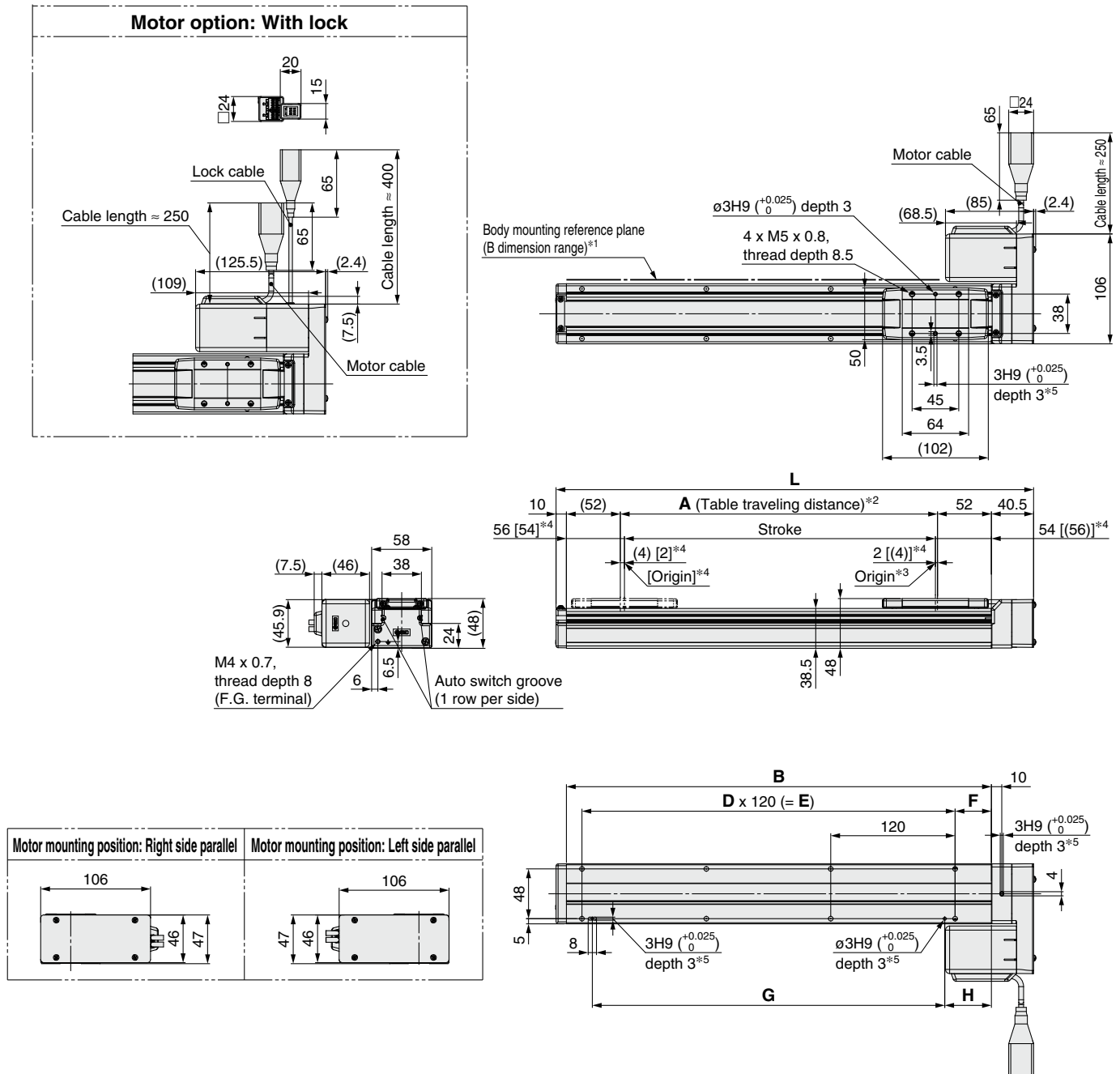
Model	L		A	B	n	D	E	G
	Without lock	With lock						
LEKFS40E□-200□	556	605	206	378	6	2	300	280
LEKFS40E□-300□	656	705	306	478	6	2	300	280
LEKFS40E□-400□	756	805	406	578	8	3	450	430
LEKFS40E□-500□	856	905	506	678	10	4	600	580
LEKFS40E□-600□	956	1005	606	778	10	4	600	580

# LEKFS Series

Battery-less Absolute (Step Motor 24 VDC)

## Dimensions: Motor Parallel

### LEKFS25R



- \*1 When mounting the actuator using the body mounting reference plane, set the height of the opposite surface or pin to be 3 mm or more. (Recommended height: 5 mm) In addition, be aware that surfaces other than the body mounting reference plane (B dimension range) may slightly protrude from the body mounting reference plane. Be sure to provide a clearance of 1 mm or more to avoid interference with workpieces, facilities, etc.
- \*2 This is the distance within which the table can move when it returns to origin. Make sure workpieces mounted on the table do not interfere with other workpieces or the facilities around the table.
- \*3 Position after returning to origin
- \*4 [ ] for when the direction of return to origin has changed
- \*5 When using the positioning pin holes on the bottom, use either the one on the body side or the one on the housing side.
- \* This illustration shows the motor mounting position for the right side parallel type.

### Dimensions

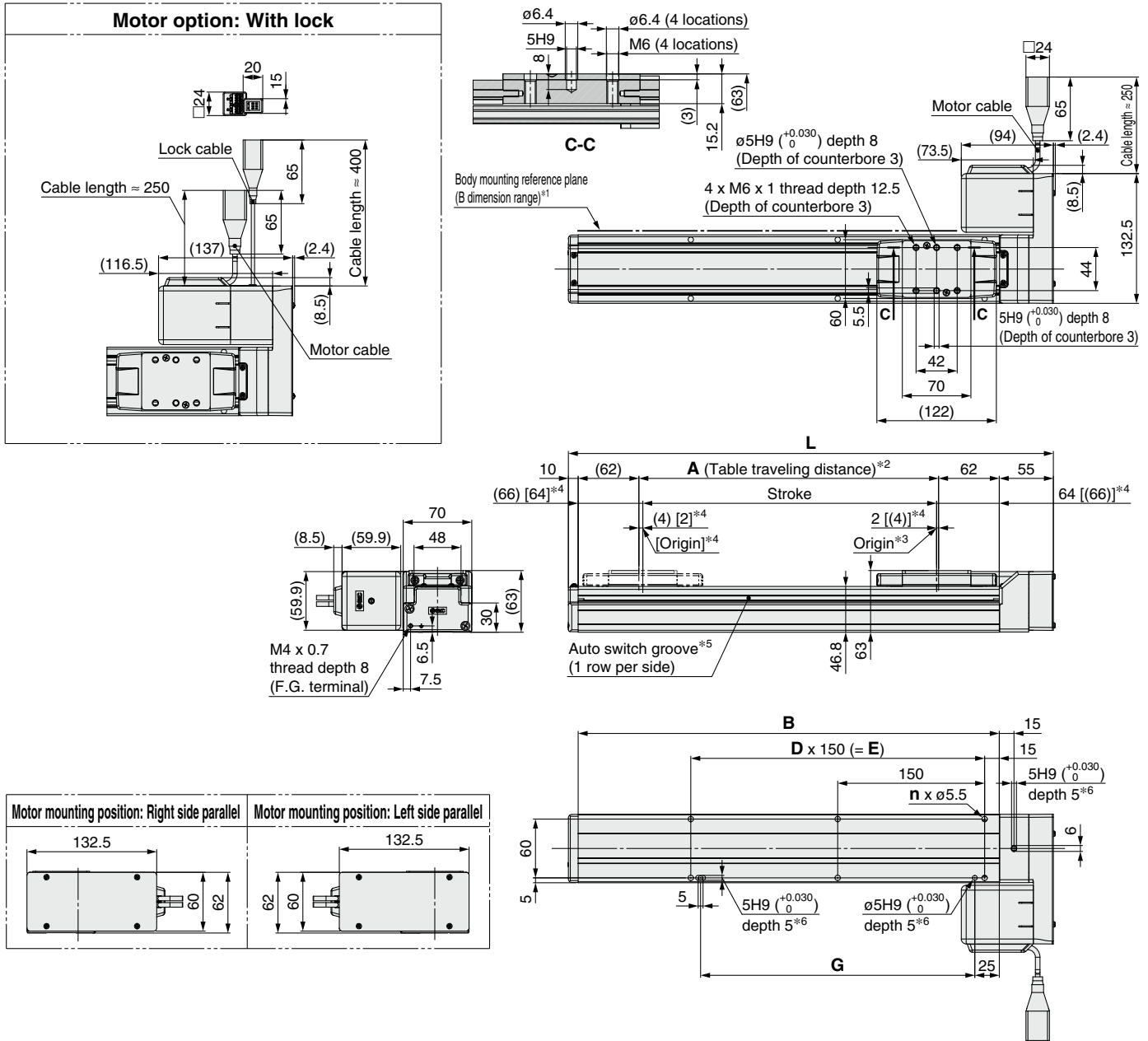
Model	L	A	B	n	D	E	F	G	H
LEKFS25□□-100□	260.5	106	210	4	—	—		100	
LEKFS25□□-200□	360.5	206	310	6	2	240		220	
LEKFS25□□-300□	460.5	306	410	8	3	360	35	340	45
LEKFS25□□-400□	560.5	406	510	8	3	360		340	
LEKFS25□□-500□	660.5	506	610	10	4	480		460	

# Battery-less Absolute Encoder: Electric Actuator/High Rigidity and High Precision Slider Type **LEKFS Series**

Battery-less Absolute (Step Motor 24 VDC)

## Dimensions: Motor Parallel

### LEKFS32R



- \*1 When mounting the actuator using the body mounting reference plane, set the height of the opposite surface or pin to be 3 mm or more. (Recommended height: 5 mm)  
In addition, be aware that surfaces other than the body mounting reference plane (B dimension range) may slightly protrude from the body mounting reference plane. Be sure to provide a clearance of 1 mm or more to avoid interference with workpieces, facilities, etc.
- \*2 This is the distance within which the table can move when it returns to origin. Make sure workpieces mounted on the table do not interfere with other workpieces or the facilities around the table.
- \*3 Position after returning to origin
- \*4 [ ] for when the direction of return to origin has changed
- \*5 A switch spacer (BM3-016) is required to secure auto switches. Please order it separately.
- \*6 When using the positioning pin holes on the bottom, use either the one on the body side or the one on the housing side.
- \* This illustration shows the motor mounting position for the right side parallel type.

### Dimensions

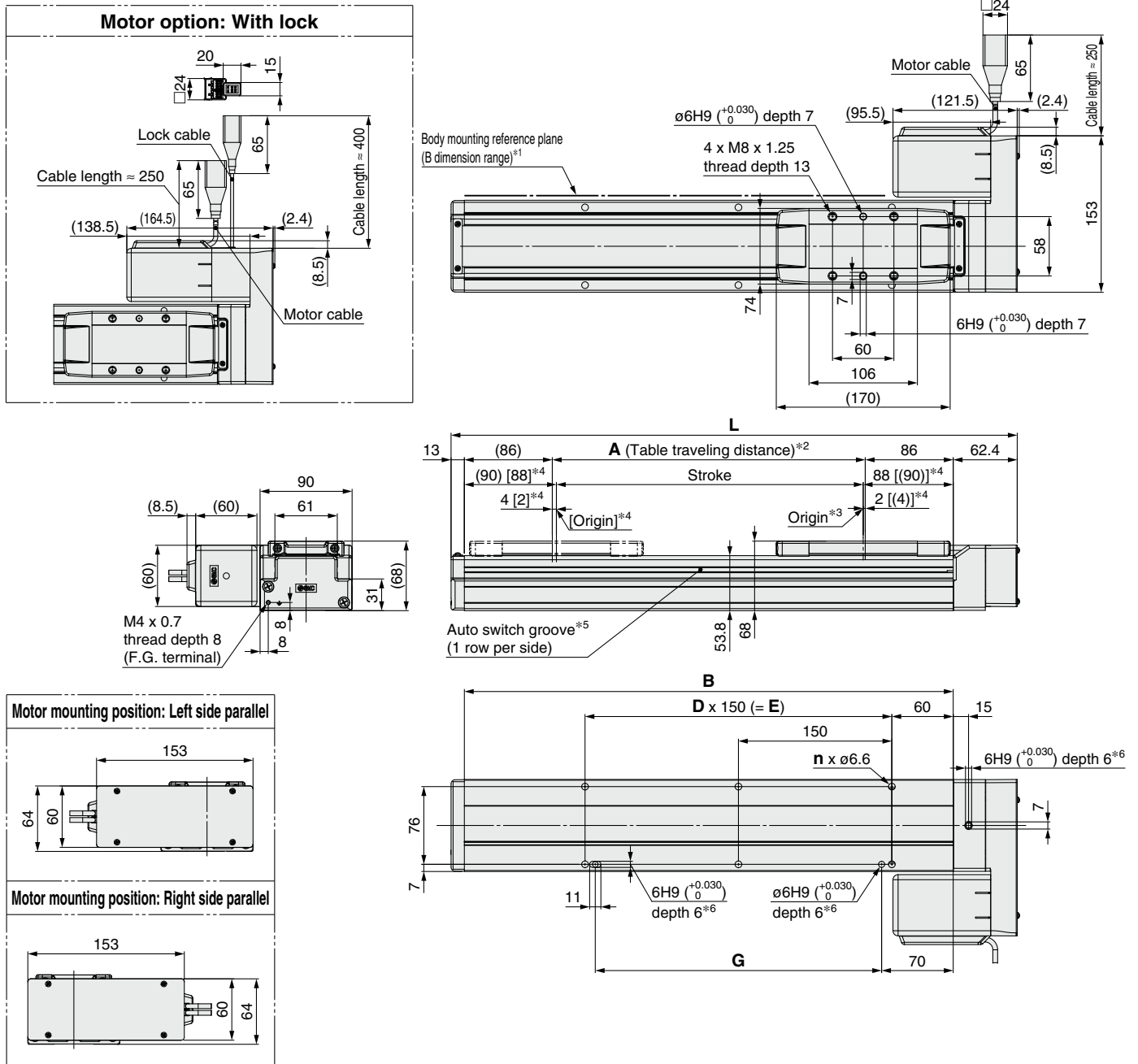
Model	L	A	B	n	D	E	G
LEKFS32□□-100□	295	106	230	4	—	—	130
LEKFS32□□-200□	395	206	330	6	2	300	280
LEKFS32□□-300□	495	306	430	6	2	300	280
LEKFS32□□-400□	595	406	530	8	3	450	430
LEKFS32□□-500□	695	506	630	10	4	600	580

# LEKFS Series

Battery-less Absolute (Step Motor 24 VDC)

## Dimensions: Motor Parallel

### LEKFS40R

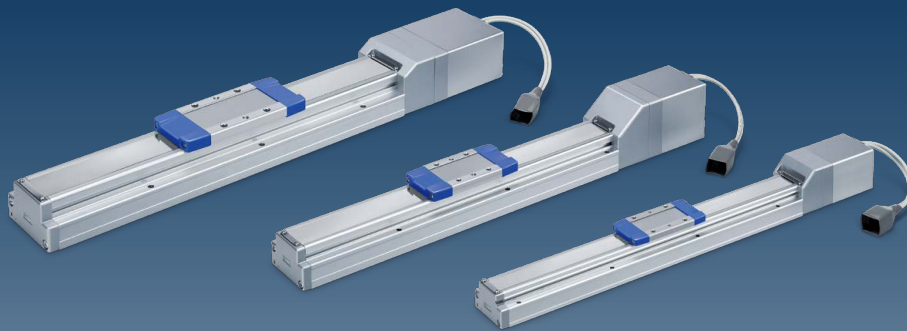


- \*1 When mounting the actuator using the body mounting reference plane, set the height of the opposite surface or pin to be 3 mm or more. (Recommended height: 5 mm)  
In addition, be aware that surfaces other than the body mounting reference plane (B dimension range) may slightly protrude from the body mounting reference plane. Be sure to provide a clearance of 1 mm or more to avoid interference with workpieces, facilities, etc.
- \*2 This is the distance within which the table can move when it returns to origin. Make sure workpieces mounted on the table do not interfere with other workpieces or the facilities around the table.
- \*3 Position after returning to origin
- \*4 [ ] for when the direction of return to origin has changed
- \*5 A switch spacer (BM3-016) is required to secure auto switches. Please order it separately.
- \*6 When using the positioning pin holes on the bottom, use either the one on the body side or the one on the housing side.
- \* This illustration shows the motor mounting position for the right side parallel type.

### Dimensions

Model	L	A	B	n	D	E	G
LEKFS40□□-200□	453.4	206	378	6	2	300	280
LEKFS40□□-300□	553.4	306	478	6	2	300	280
LEKFS40□□-400□	653.4	406	578	8	3	450	430
LEKFS40□□-500□	753.4	506	678	10	4	600	580
LEKFS40□□-600□	853.4	606	778	10	4	600	580

# Electric Actuator High Rigidity and High Precision Slider Type



**⚠ Safety Instructions** Be sure to read the "Handling Precautions for SMC Products" (M-E03-3) and "Operation Manual" before use.