

Electric Grippers

LEH Series



Step Motor (Servo/24 VDC)

- **With drop prevention function**
(Self-lock mechanism is provided for all series.)
Gripping force of the workpieces is maintained when stopped or restarted. The workpieces can be removed with manual override.
- **Compact body sizes and long stroke variations**
Gripping force equivalent to the widely used air grippers is available.
- **Can set position, speed and force (64 points)**

- **Energy-saving product**
Power consumption reduced by self-lock mechanism
- **With gripping check function**
Identify workpieces with different dimensions/detect mounting and removal of the workpieces.

Z Type (2 fingers) ▶ p. 547

Compact and light, various gripping forces

LEHZ Series

Size	Stroke/ both sides [mm]	Gripping force [N]	
		Basic	Compact
10	4		2 to 6
16	6	6 to 14	3 to 8
20	10	16 to 40	11 to 28
25	14		
32	22	52 to 130	—
40	30	84 to 210	—



ZJ Type (2 fingers) ▶ p. 563

With dust cover (Equivalent to IP50)
3 types of cover material (Finger portion only)

LEHZJ Series

Size	Stroke/ both sides [mm]	Gripping force [N]	
		Basic	Compact
10	4	6 to 14	3 to 6
16	6		4 to 8
20	10	16 to 40	11 to 28
25	14		



F Type (2 fingers) ▶ p. 577

Can hold various types of workpieces with a long stroke

LEHF Series

Size	Stroke/ both sides [mm]	Gripping force [N]
10	16 (32)	3 to 7
20	24 (48)	11 to 28
32	32 (64)	48 to 120
40	40 (80)	72 to 180



(): Long stroke

S Type (3 fingers) ▶ p. 590

Can hold round workpieces

LEHS Series

Size	Stroke/ both sides [mm]	Gripping force [N]	
		Basic	Compact
10	4	2.2 to 5.5	1.4 to 3.5
20	6	9 to 22	7 to 17
32	8	36 to 90	—
40	12	52 to 130	—



Step Motor (Servo/24 VDC) Controllers/Drivers

▶ p. 684

▶ Step data input type JXC51/61 Series

- 64 positioning points
- Input using controller setting kit or teaching box



▶ EtherCAT®/EtherNet/IP™/ PROFINET/DeviceNet™/ IO-Link/CC-Link direct input type JXCE1/91/P1/D1/L1/M1 Series



▶ Programless type LECP1 Series

- 14 positioning points
- Control panel setting



▶ Pulse input type LECPA Series



LEFS
LEFB
LEJS
LEJB
LEL
LEM
LEY
LEYG
LES
LESH
LEPY
LEPS
LER
LEH
LEH-X5
LEY-X5
11-LEFS
11-LEJS
25A-
LEC
JXC
LECS
LECS-T
LECY
Motorless
LAT3

Electric Gripper 2-Finger Type

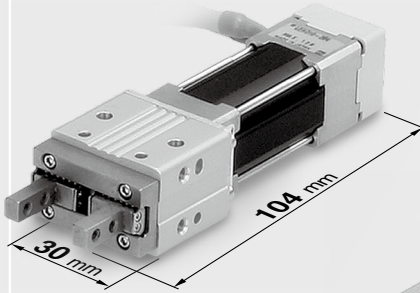
LEHZ Series/Size: 10, 16, 20, 25, 32, 40

LEHZJ Series/Size: 10, 16, 20, 25

LEHF Series/Size: 10, 20, 32, 40

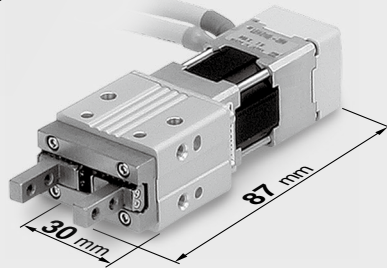
● Compact and lightweight Various gripping forces

Weight: **165 g**
(LEHZ10)



Compact

Weight: **135 g**
(LEHZ10L)

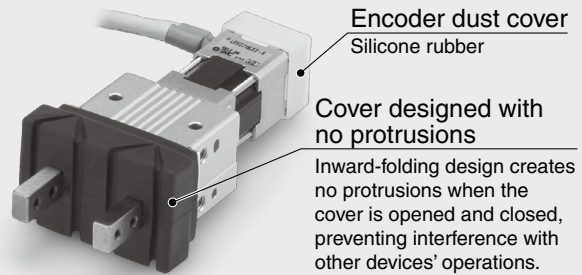


● Sealed-construction dust cover (Equivalent to IP50)

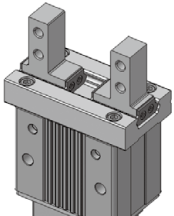
- Prevents machining chips, dust, etc., from getting inside
- Prevents spattering of grease, etc.

● 3 types of cover material (Finger portion only)

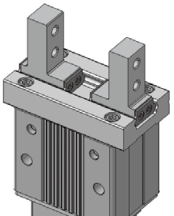
- Chloroprene rubber (black): Standard
- Fluororubber (black): Option
- Silicone rubber (white): Option



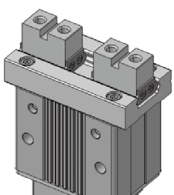
Finger options



Side tapped mounting



Through-hole in open/close direction

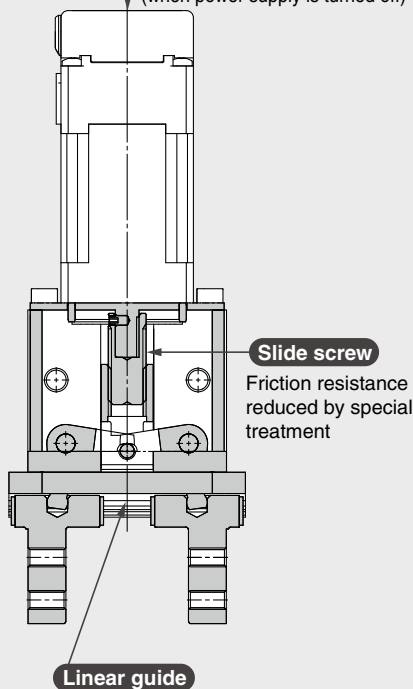


Flat fingers

LEHZ Series

Manual override screw

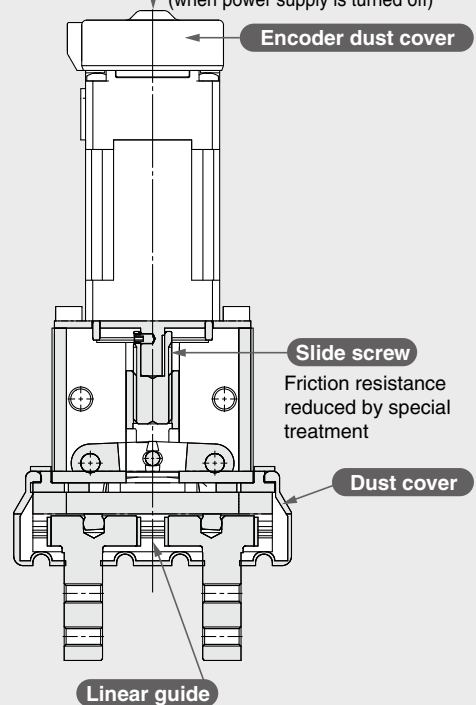
For opening and closing the fingers (when power supply is turned off)



LEHZJ Series

Manual override screw

For opening and closing the fingers (when power supply is turned off)

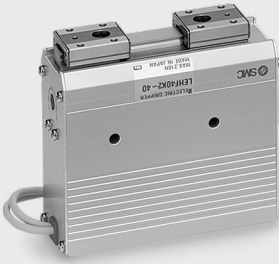


Electric Gripper 3-Finger Type

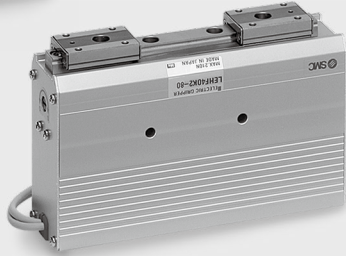
LEHS Series/Size: 10, 20, 32, 40

● Can hold various types of workpieces with a long stroke

Stroke:
Max. **40** mm

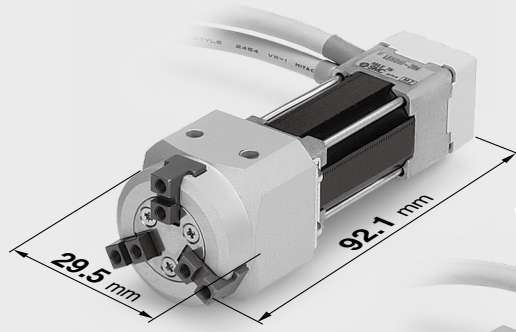


Long stroke
Stroke:
Max. **80** mm

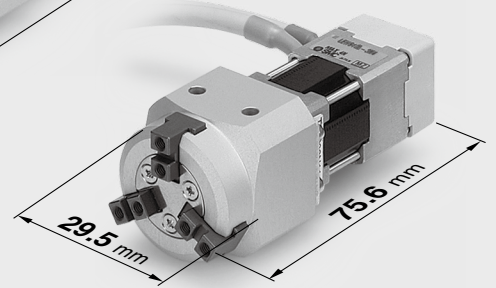


● Can hold round workpieces

Weight: **185** g
(LEHS10)



Compact
Weight: **150** g
(LEHS10L)



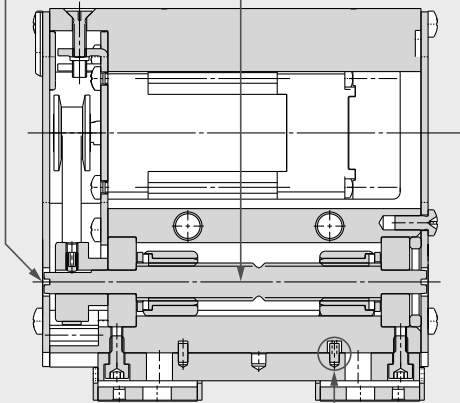
LEHF Series

Manual override screw/Both sides

For opening and closing the fingers (when power supply is turned off)

Slide screw

Friction resistance reduced by special treatment



Linear guide

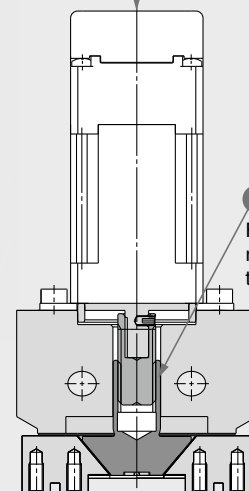
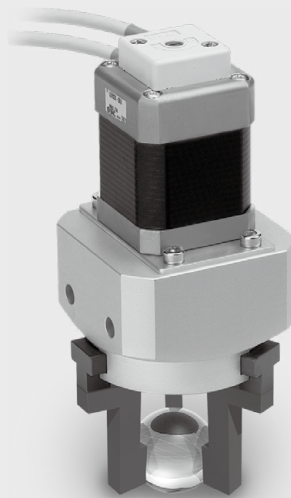
Linear guide misalignment prevention

Misalignment of the linear guide is prevented with 2 positioning pins.

LEHS Series

Manual override screw

For opening and closing the fingers (when power supply is turned off)



Slide screw

Friction resistance reduced by special treatment

With wedge cam structure

Compact and large gripping force can be obtained through the wedge cam structure.

LEFS
LEFB

LEJS
LEJB

LEL

LEM

LEY
LEYG

LES
LESH

LEPY
LEPS

LER

LEH

LEH-X5

LEY-X5

11-LEFS

11-LEJS

25A-

LEC

JXC

LECS
LECS-T

LECY

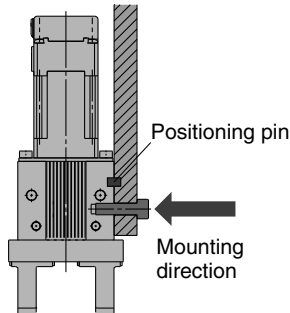
Motorless

LAT3

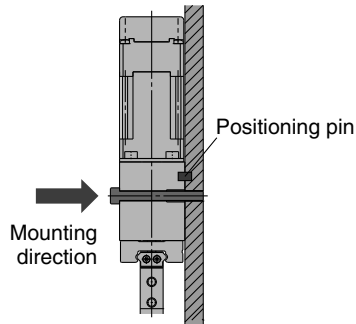
<Mounting Variations>

LEHZ/LEHZJ Series

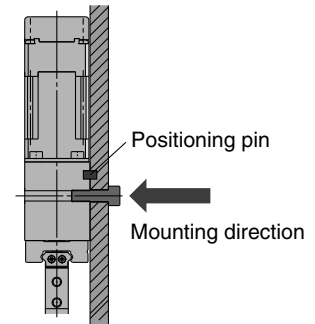
A When using the thread on the side of the body



B When using the thread on the mounting plate

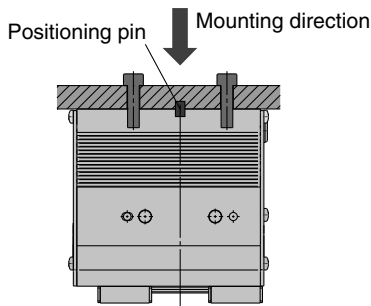


C When using the thread on the back of the body

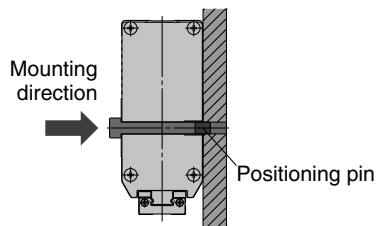


LEHF Series

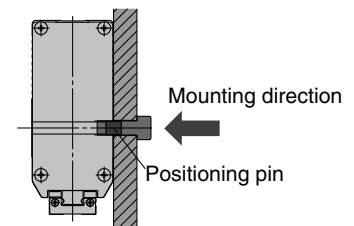
A When using the thread on the body



B When using the thread on the mounting plate

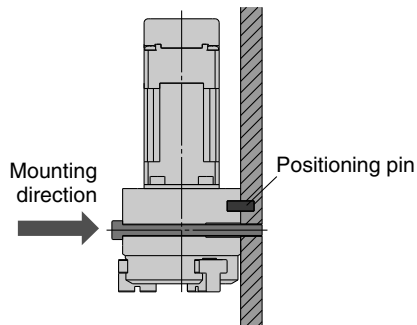


C When using the thread on the back of the body

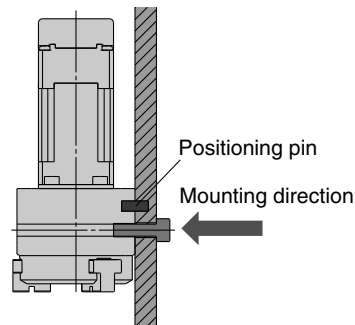


LEHS Series

A When using the thread on the mounting plate

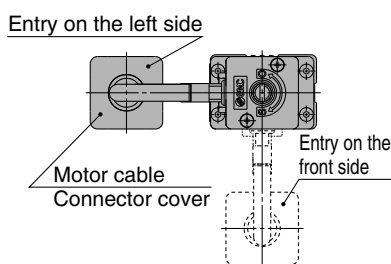


B When using the thread on the back of the body

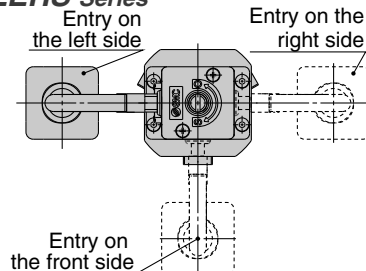


Motor cable mounting direction can be selected.

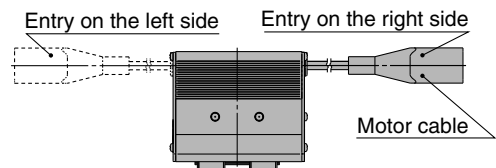
LEHZ/LEHZJ Series



LEHS Series

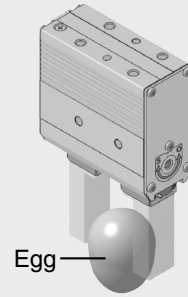
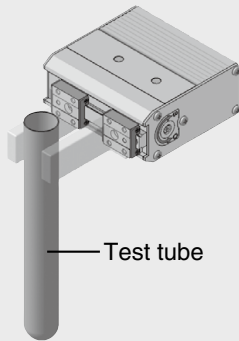
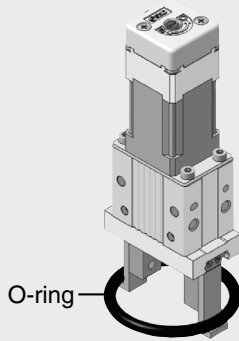


LEHF Series



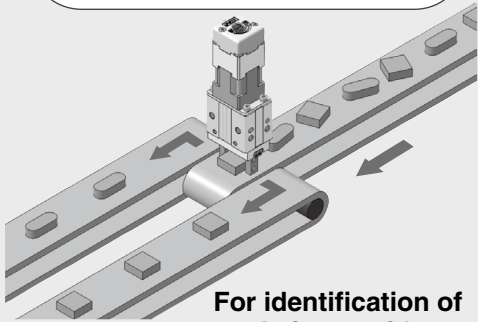
Application Examples

Gripping of components that are easily deformed or damaged



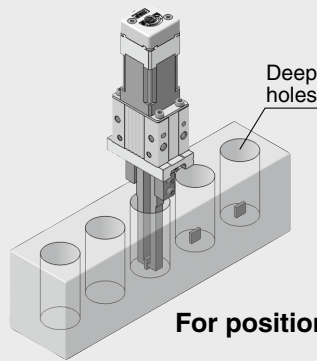
For speed and gripping force control and positioning

Alignment and selection of randomly lined parts



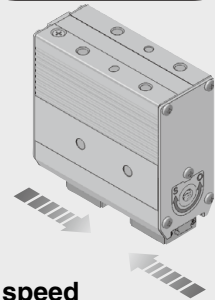
For identification of workpieces with different dimensions

Gripping in a narrow space



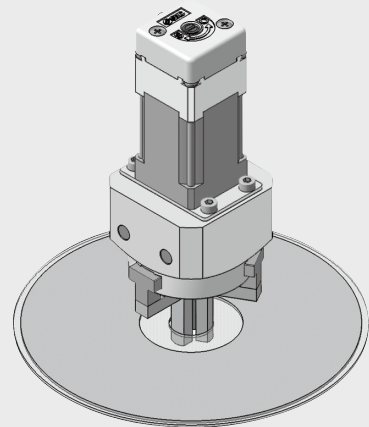
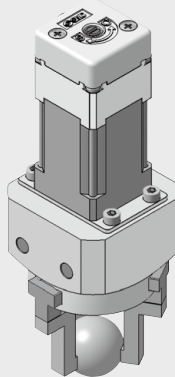
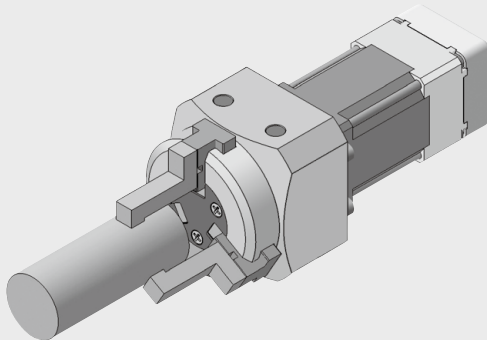
For positioning

Soft touch/ High frequency



For speed control and positioning (Minimum stroke)

Gripping of cylindrical and spherical parts



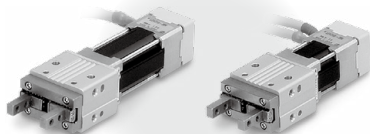
For speed and gripping force control

LEFS
LEFB
LEJS
LEJB
LEL
LEM
LEY
LEYG
LES
LESH
LEPY
LEPS
LER
LEH
LEY-X5
11-LEFS
11-LEJS
25A-
LEC
JXC
LECS
LECS-T
LECY
Motorless
LAT3

Step Motor (Servo/24 VDC)

Electric Gripper 2-Finger Type *LEHZ Series*

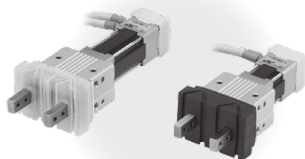
Model Selection	p. 547
How to Order	p. 553
Specifications	p. 556
Construction	p. 557
Dimensions	p. 558
Finger Options	p. 561



Step Motor (Servo/24 VDC)

Electric Gripper 2-Finger Type/With Dust Cover *LEHZJ Series*

Model Selection	p. 563
How to Order	p. 569
Specifications	p. 572
Construction	p. 573
Dimensions	p. 574



Specific Product Precautions p. 600

Step Motor (Servo/24 VDC) Controller

Step Data Input Type/ <i>JXC51/61 Series</i>	p. 706-1
EtherCAT®/EtherNet/IP™/PROFINET/DeviceNet™/IO-Link/CC-Link Direct Input Type/ <i>JXCE1/91/P1/D1/L1/M1 Series</i>	p. 741
Gateway Unit/ <i>LEC-G Series</i>	p. 715
Programless Controller/ <i>LECP1 Series</i>	p. 719
Step Motor Driver/ <i>LECPA Series</i>	p. 731

Actuator Cable	p. 758
Communication Cable for Controller Setting/ <i>LEC-W2A-□</i>	p. 760
Teaching Box/ <i>LEC-T1</i>	p. 761



Step Motor (Servo/24 VDC)

Electric Gripper 2-Finger Type *LEHF Series*

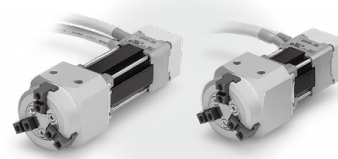
Model Selection	p. 577
How to Order	p. 581
Specifications	p. 584
Construction	p. 585
Dimensions	p. 586



Step Motor (Servo/24 VDC)

Electric Gripper 3-Finger Type *LEHS Series*

Model Selection	p. 590
How to Order	p. 593
Specifications	p. 596
Construction	p. 597
Dimensions	p. 598



3-Axis Step Motor Controller

EtherNet/IP™ Type/ <i>JXC92 Series</i>	p. 747
--	--------



4-Axis Step Motor Controller (Servo/24 VDC)

Parallel I/O/ <i>JXC73/83 Series</i>	p. 749
EtherNet/IP™ Type/ <i>JXC93 Series</i>	p. 749



Electric Grippers

2-Finger Type *LEHZ Series*

Step Motor (Servo/24 VDC)

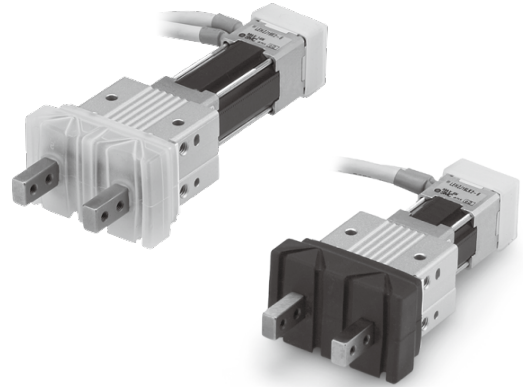
p. 553



2-Finger Type/With Dust Cover *LEHZJ Series*

Step Motor (Servo/24 VDC)

p. 569



2-Finger Type *LEHF Series*

Step Motor (Servo/24 VDC)

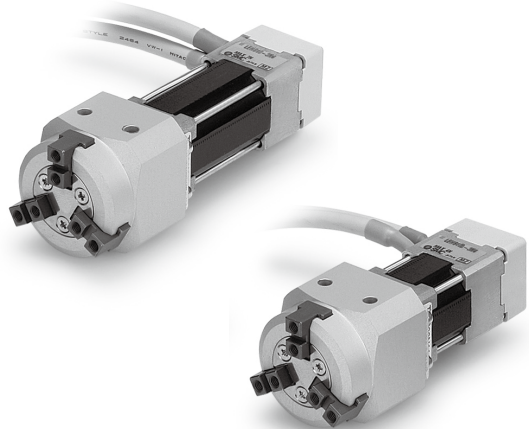
p. 581



3-Finger Type *LEHS Series*

Step Motor (Servo/24 VDC)

p. 593



Step Motor Controller/Driver p. 684

LEFS
LEFB

LEJS
LEJB

LEL

LEM

LEY
LEYG

LES
LESH

LEPY
LEPS

LER

LEH

LEY-X5

11-LEFS

11-LEJS

25A-

LEC

JXC

LECS
LECS-T

LECY

Motorless

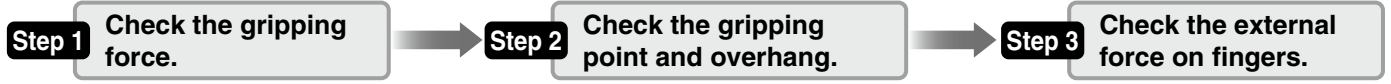
LAT3

Model Selection



LEHZ Series ▶ p. 553

Selection Procedure



Step 1 Check the gripping force.



Example

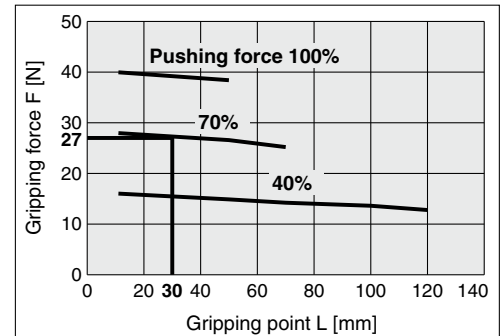
Workpiece mass: 0.1 kg

Guidelines for the selection of the gripper with respect to workpiece mass

- Although conditions differ according to the workpiece shape and the coefficient of friction between the attachments and the workpiece, select a model that can provide a gripping force of 10 to 20 times*1 the workpiece weight, or more.
- *1 For details, refer to the calculation of required gripping force.
- If high acceleration or impact forces are encountered during motion, a further margin of safety should be considered.

Example) When it is desired to set the gripping force at 20 times or more above the workpiece weight.
 Required gripping force
 $= 0.1 \text{ kg} \times 20 \times 9.8 \text{ m/s}^2 \approx 19.6 \text{ N}$ or more

LEHZ20



When the LEHZ20 is selected.

- Gripping force can be found to be 27 N from the intersection point of gripping point distance L = 30 mm and pushing force of 70%.
- Gripping force is 27.6 times greater than the workpiece weight, and therefore satisfies a gripping force setting value of 20 times or more.

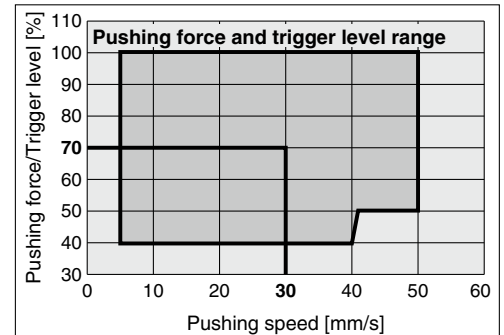
Pushing force: 70%

Pushing force is one of the values of step data that is input into the controller.

Gripping point distance: 30 mm

Pushing speed: 30 mm/s

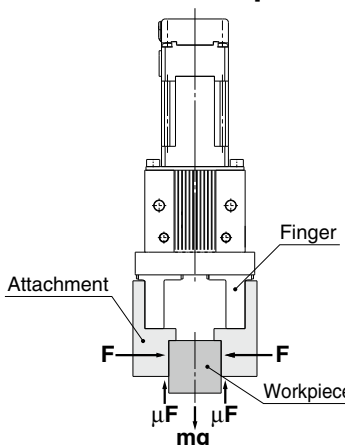
LEHZ20



- Pushing speed is satisfied at the point where 70% of the pushing force and 30 mm/s of the pushing speed cross.

* Confirm the pushing speed range from the determined pushing force [%].

Calculation of required gripping force



When gripping a workpiece as in the figure to the left, and with the following definitions,
F: Gripping force [N]
μ: Coefficient of friction between the attachments and the workpiece
m: Workpiece mass [kg]
g: Gravitational acceleration (= 9.8 m/s²)
mg: Workpiece weight [N]

the conditions under which the workpiece will not drop are
 $2 \times \mu F > mg$

Number of fingers

and therefore, $F > \frac{mg}{2 \times \mu}$

With "a" representing the margin, "F" is determined by the following formula:

$$F = \frac{mg}{2 \times \mu} \times a$$

"Gripping force at least 10 to 20 times the workpiece weight"

The "10 to 20 times or more of the workpiece weight" recommended by SMC is calculated with a margin of "a" = 4, which allows for impacts that occur during normal transportation, etc.

When $\mu = 0.2$	When $\mu = 0.1$
$F = \frac{mg}{2 \times 0.2} \times 4 = 10 \times mg$	$F = \frac{mg}{2 \times 0.1} \times 4 = 20 \times mg$
10 x Workpiece weight	20 x Workpiece weight

<Reference> Coefficient of friction μ (depends on the operating environment, contact pressure, etc.)

Coefficient of friction μ	Attachment – Material of workpieces (guideline)
0.1	Metal (surface roughness Rz3.2 or less)
0.2	Metal
0.2 or more	Rubber, Resin, etc.

- Even in cases where the coefficient of friction is greater than $\mu = 0.2$, for reasons of safety, select a gripping force which is at least 10 to 20 times greater than the workpiece weight, as recommended by SMC.
- If high acceleration or impact forces are encountered during motion, a further margin should be considered.

Selection Procedure

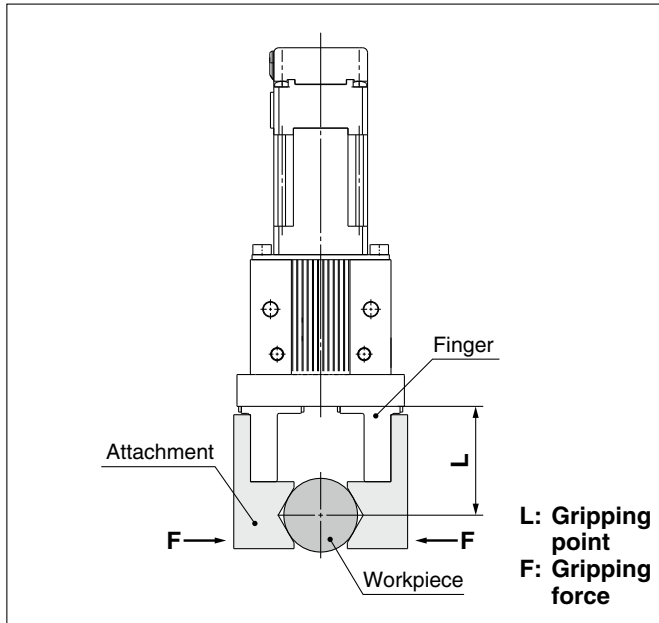
Step 1 Check the gripping force: LEHZ Series

● Indication of gripping force

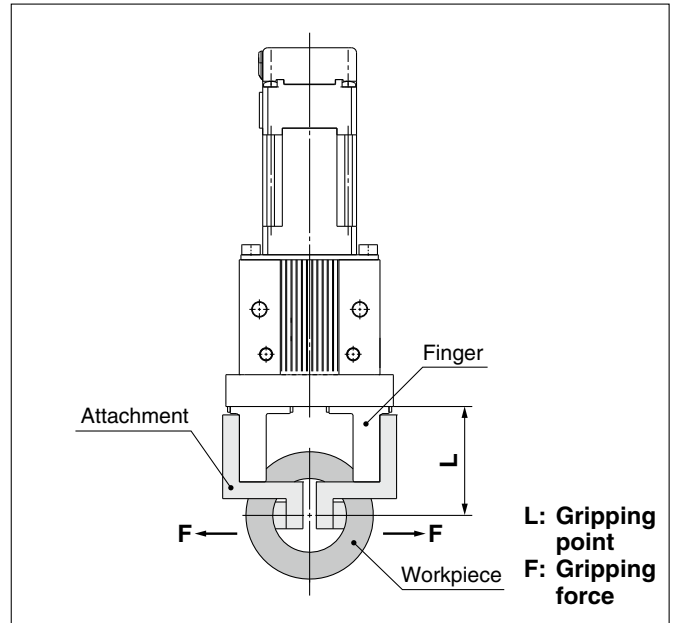
The gripping force shown in the graphs below is expressed as "F", which is the gripping force of one finger, when both fingers and attachments are in full contact with the workpiece as shown in the figure below.

● Set the workpiece gripping point "L" so that it is within the range shown in the figure below.

External Gripping State



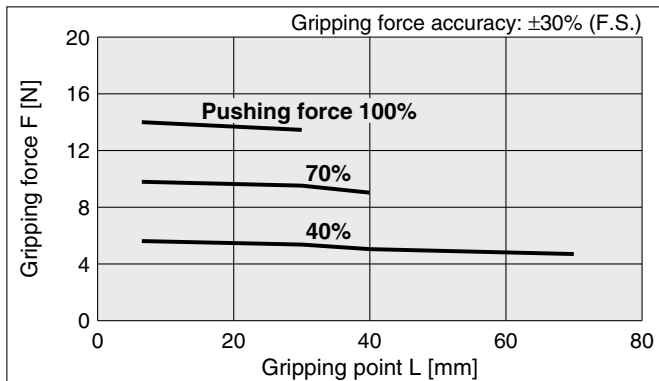
Internal Gripping State



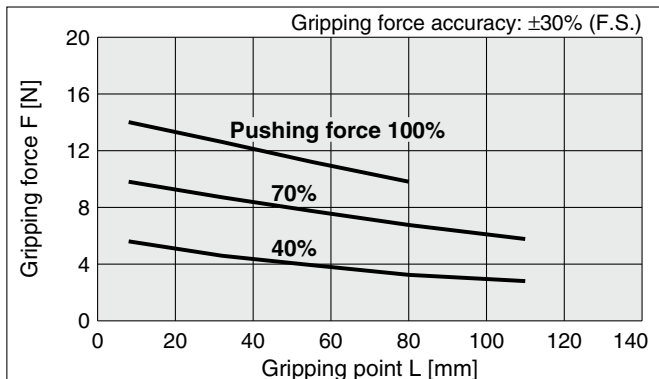
* Pushing force is one of the values of step data that is input into the controller.

Basic

LEHZ10



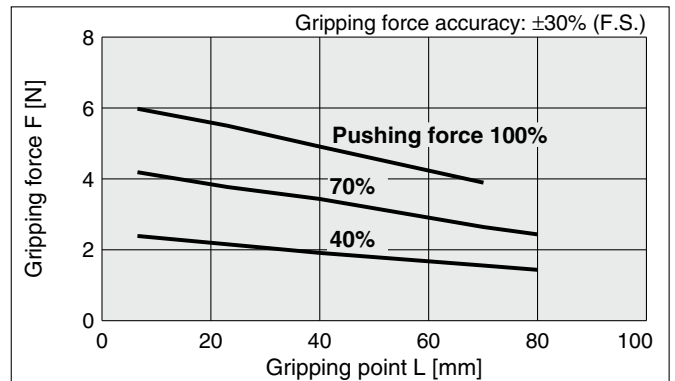
LEHZ16



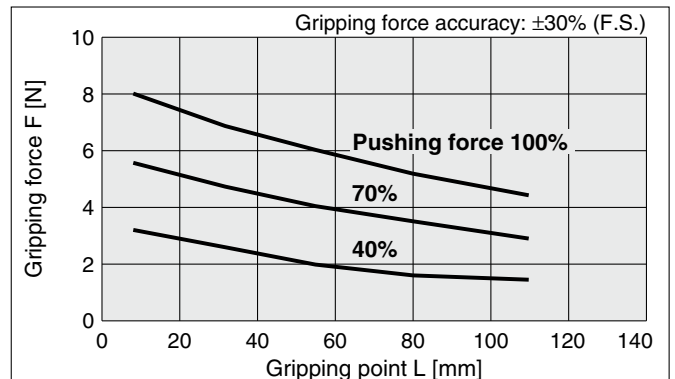
* Pushing force is one of the values of step data that is input into the controller.

Compact

LEHZ10L



LEHZ16L



- LEFS
- LEFB
- LEJS
- LEJB
- LEL
- LEM
- LEY
- LEYG
- LES
- LESH
- LEPY
- LEPS
- LER
- LEH
- LEY-X5
- 11-LEFS
- 11-LEJS
- 25A-
- LEC
- JXC
- LECS
- LECS-T
- LECY
- Motorless
- LAT3

LEHZ Series

Step Motor (Servo/24 VDC)

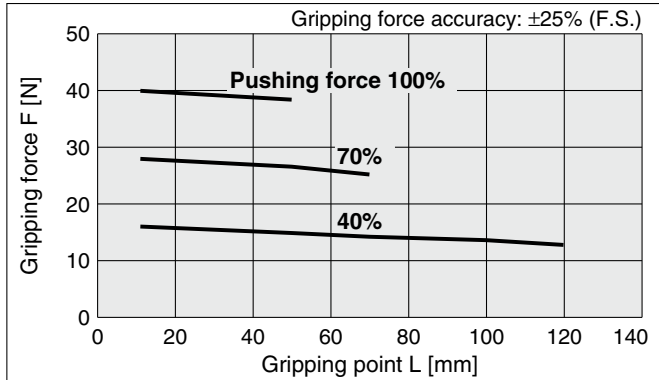
Selection Procedure

Step 1 Check the gripping force: LEHZ Series

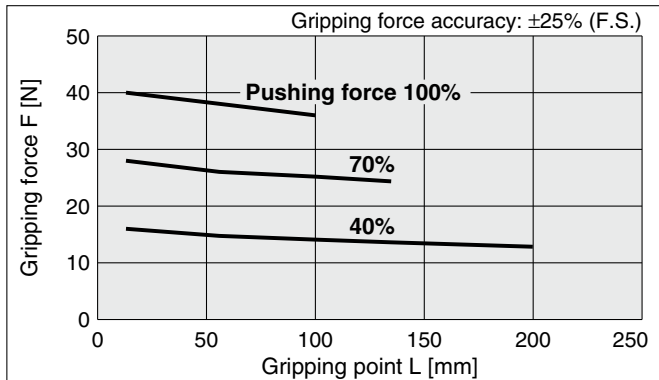
Basic

* Pushing force is one of the values of step data that is input into the controller.

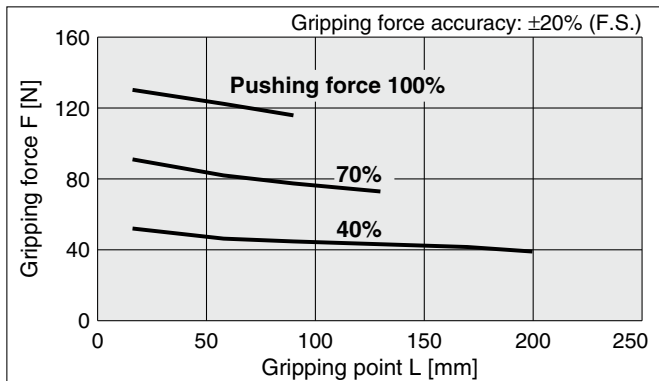
LEHZ20



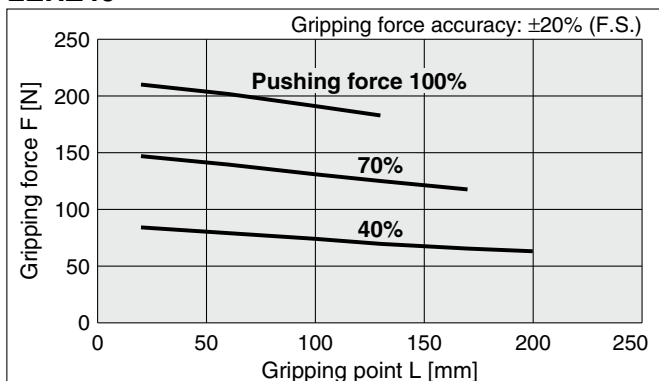
LEHZ25



LEHZ32



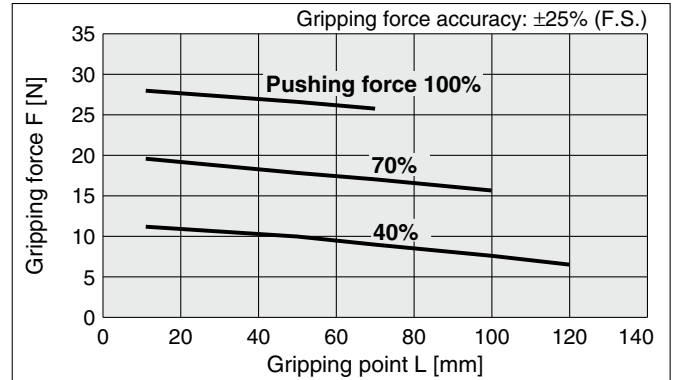
LEHZ40



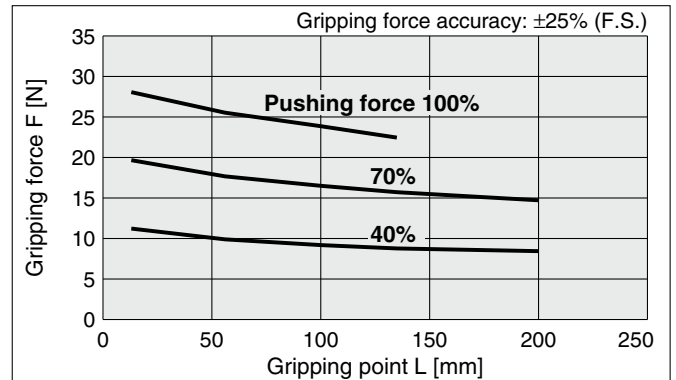
Compact

* Pushing force is one of the values of step data that is input into the controller.

LEHZ20L



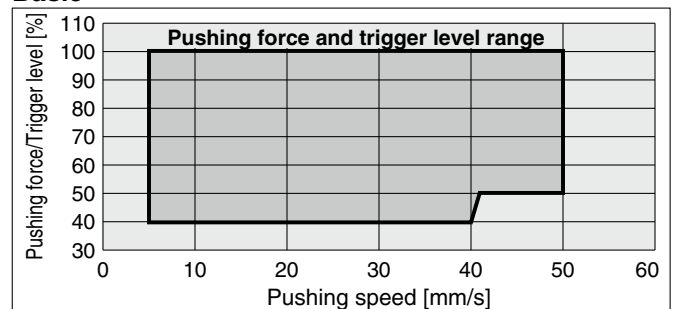
LEHZ25L



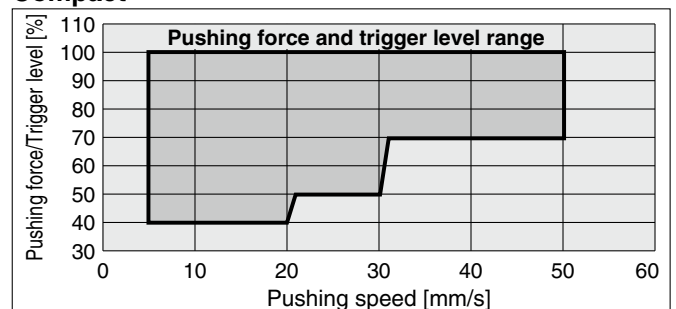
Selection of Pushing Speed

● Set the [Pushing force] and the [Trigger LV] within the range shown in the figure below.

Basic



Compact

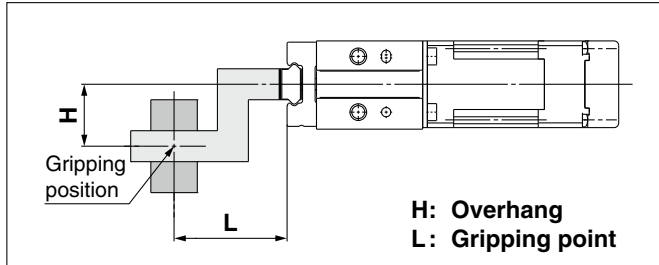


Selection Procedure

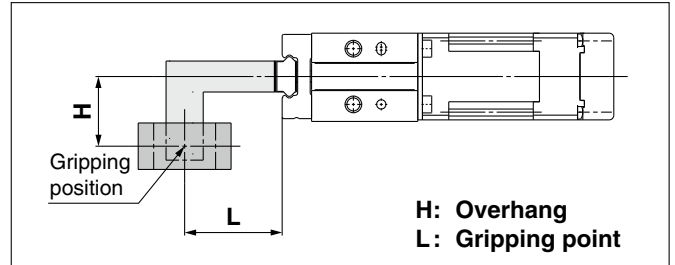
Step 2 Check the gripping point and overhang: LEHZ Series

- Decide the gripping position of the workpiece so that the amount of overhang "H" stays within the range shown in the figure below.
- If the gripping position is out of the limit, it may shorten the life of the electric gripper.

External Gripping State



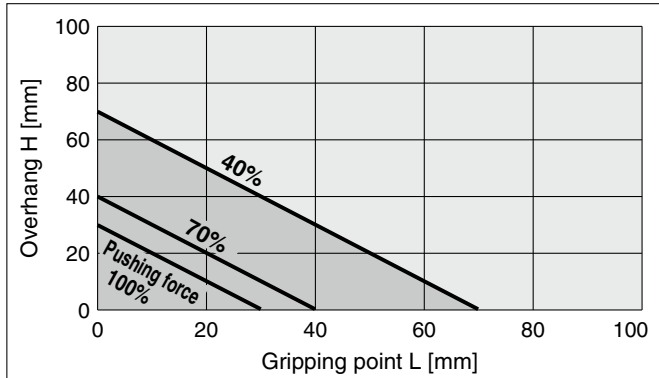
Internal Gripping State



Basic

* Pushing force is one of the values of step data that is input into the controller.

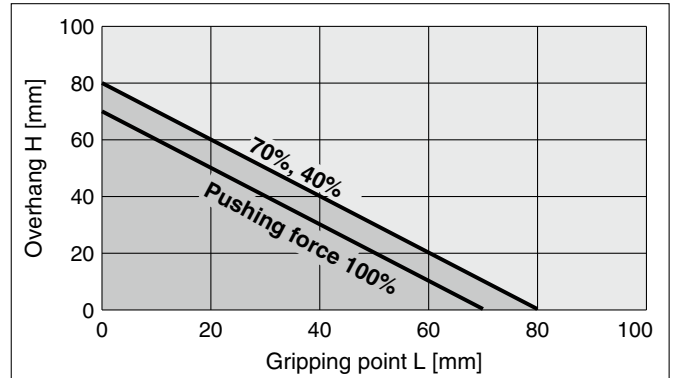
LEHZ10



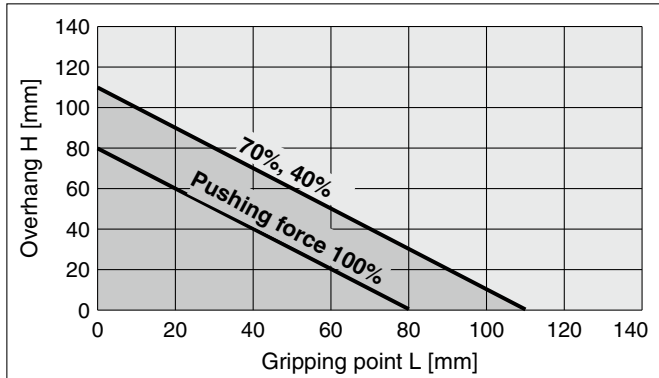
Compact

* Pushing force is one of the values of step data that is input into the controller.

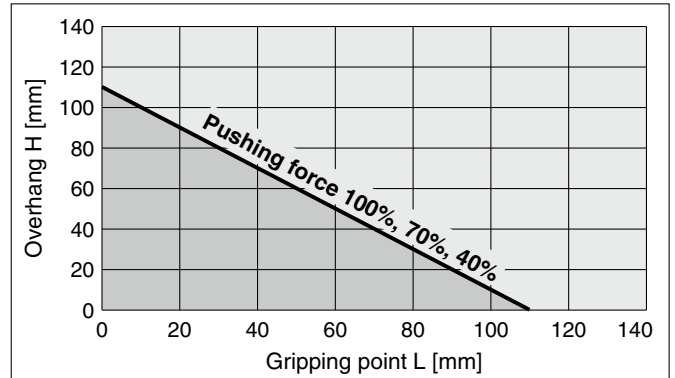
LEHZ10L



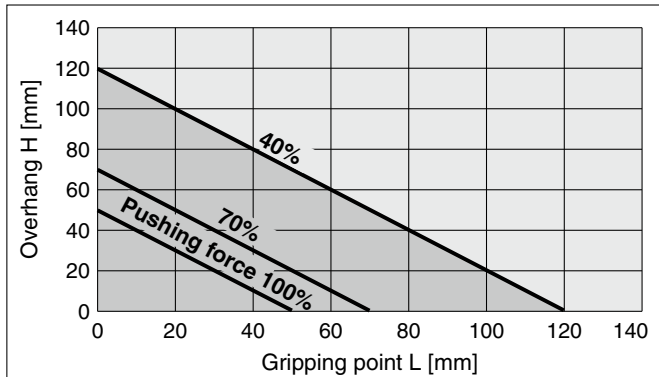
LEHZ16



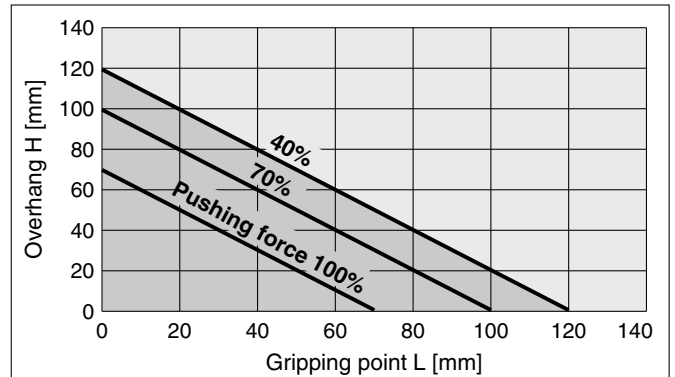
LEHZ16L



LEHZ20



LEHZ20L



- LEFS
- LEFB
- LEJS
- LEJB
- LEL
- LEM
- LEYG
- LEYS
- LESH
- LEPY
- LEPS
- LER
- LEH
- LEY-X5
- 11-LEFS
- 11-LEJS
- 25A-
- LEC
- JXC
- LECS
- LECS-T
- LECY
- Motorless
- LAT3

LEHZ Series

Step Motor (Servo/24 VDC)

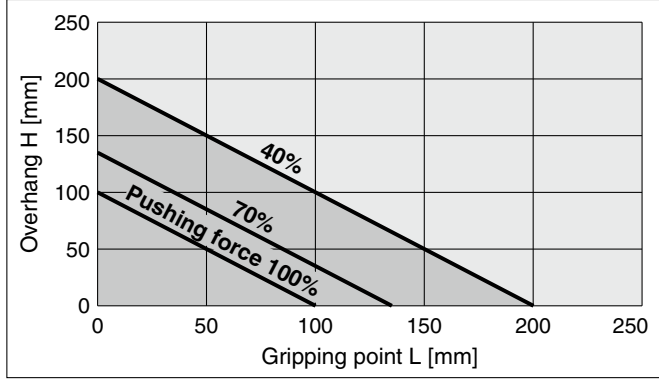
Selection Procedure

Step 2 Check the gripping point and overhang: LEHZ Series

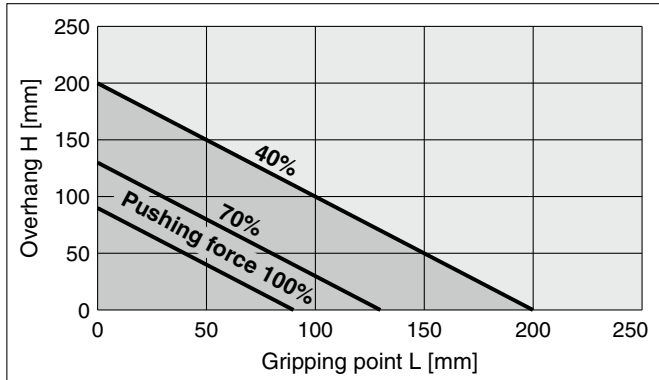
Basic

* Pushing force is one of the values of step data that is input into the controller.

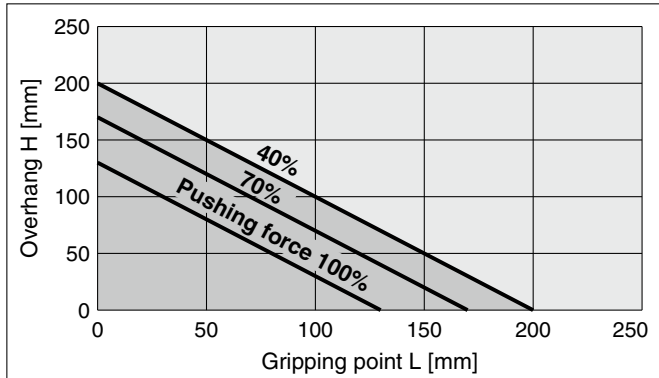
LEHZ25



LEHZ32



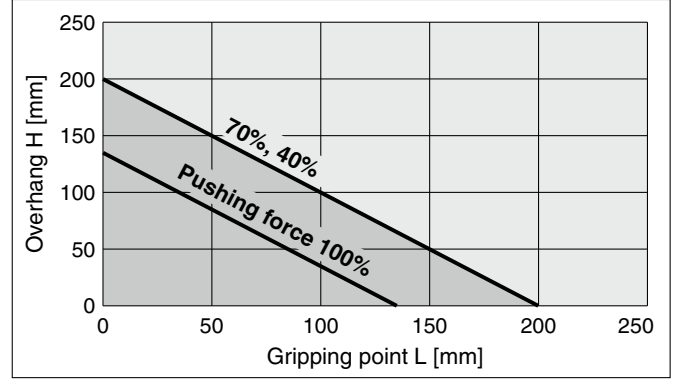
LEHZ40



Compact

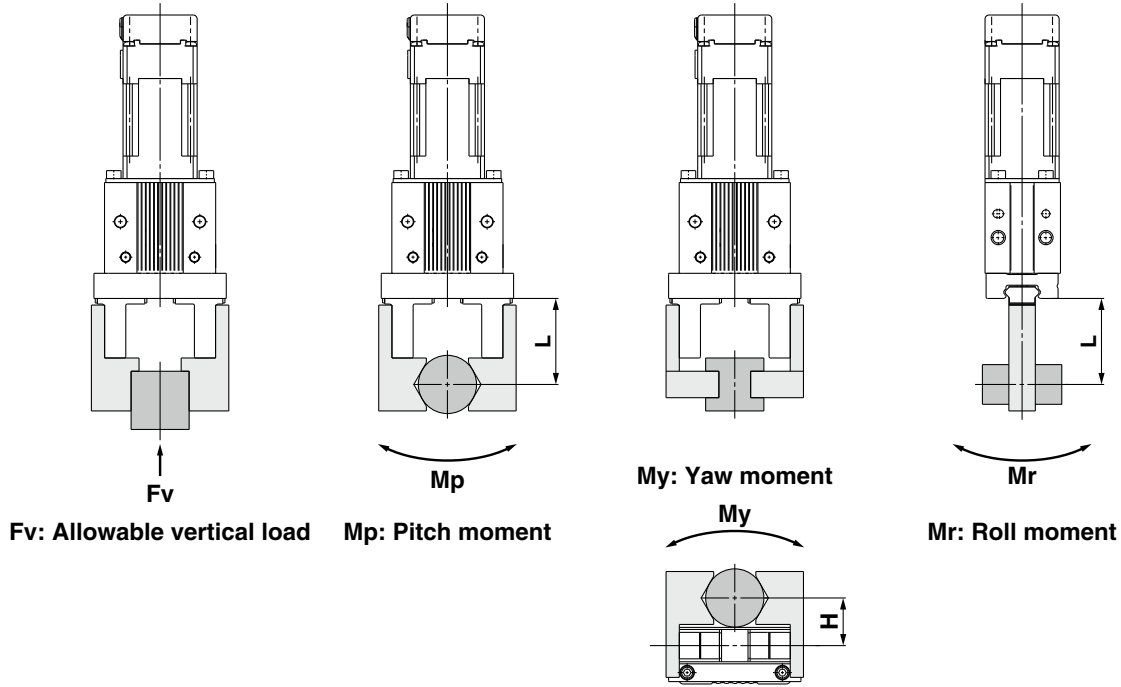
* Pushing force is one of the values of step data that is input into the controller.

LEHZ25L



Selection Procedure

Step 3 Check the external force on fingers: LEHZ Series



H, L: Distance to the point at which the load is applied [mm]

Model	Allowable vertical load Fv [N]	Static allowable moment		
		Pitch moment: Mp [N·m]	Yaw moment: My [N·m]	Roll moment: Mr [N·m]
LEHZ10(L)K2-4	58	0.26	0.26	0.53
LEHZ16(L)K2-6	98	0.68	0.68	1.36
LEHZ20(L)K2-10	147	1.32	1.32	2.65
LEHZ25(L)K2-14	255	1.94	1.94	3.88
LEHZ32(L)K2-22	343	3	3	6
LEHZ40(L)K2-30	490	4.5	4.5	9

* Values for load in the table indicate static values.

Calculation of allowable external force (when moment load is applied)	Calculation example
$\text{Allowable load } F \text{ [N]} = \frac{M \text{ (Static allowable moment) [N·m]}}{L \times 10^{-3} \text{ }^{*1}}$ <p>(*1 Constant for unit conversion)</p>	<p>When a static load of $f = 10 \text{ N}$ is operating, which applies pitch moment to point $L = 30 \text{ mm}$ from the LEHZ16K2-6 guide. Therefore, it can be used.</p> $\text{Allowable load } F = \frac{0.68}{30 \times 10^{-3}} = 22.7 \text{ [N]}$ <p>Load $f = 10 \text{ [N]} < 22.7 \text{ [N]}$</p>

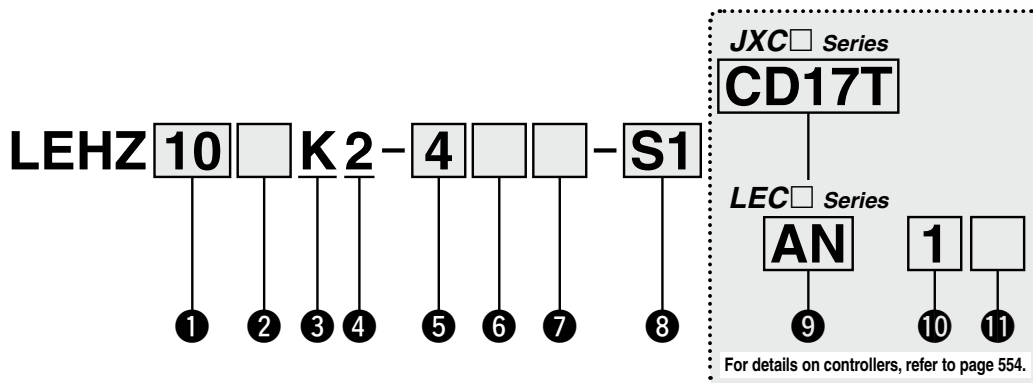
- LEFS
- LEFB
- LEJS
- LEJB
- LEL
- LEM
- LEY
- LEYG
- LES
- LESH
- LEPY
- LEPS
- LER
- LEH
- LEY-X5
- 11-LEFS
- 11-LEJS
- 25A-
- LEC
- JXC
- LECS
- LECS-T
- LECY
- Motorless
- LAT3

Electric Gripper 2-Finger Type

LEHZ Series LEHZ10, 16, 20, 25, 32, 40



How to Order



① Size

10
16
20
25
32
40

② Motor size

Nil	Basic
L*1	Compact

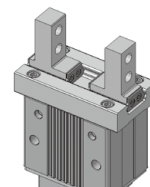
③ Lead

K	Basic
---	-------

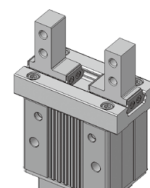
④ 2-finger type

Finger options

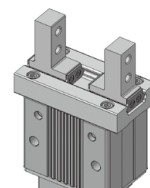
Nil: Basic
(Tapped in open/close direction)



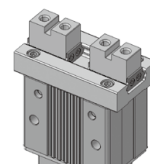
A: Side tapped mounting



B: Through-hole in open/close direction



C: Flat fingers



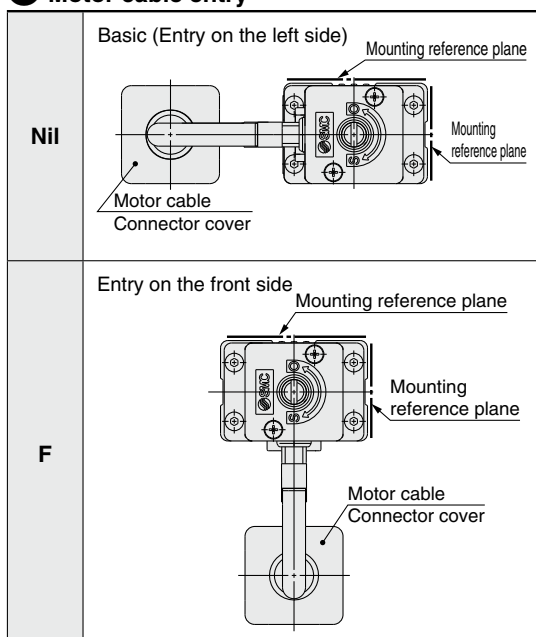
⑤ Stroke [mm]

Stroke/both sides	Size
4	10
6	16
10	20
14	25
22	32
30	40

⑥ Finger options

Nil	Basic (Tapped in open/close direction)
A	Side tapped mounting
B	Through-hole in open/close direction
C	Flat fingers

⑦ Motor cable entry



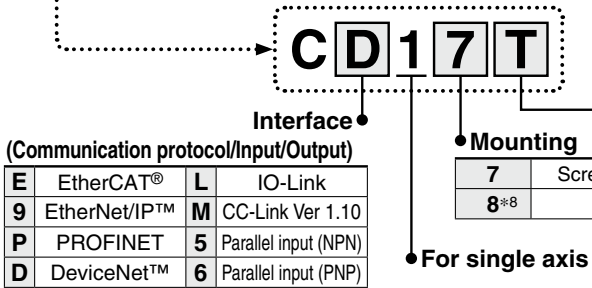
⑧ Actuator cable type/length*3

Standard cable [m]		Robotic cable [m]			
Nil	None	R1	1.5	RA	10*2
S1	1.5	R3	3	RB	15*2
S3	3	R5	5	RC	20*2
S5	5	R8	8*2		

JXC Series (For details, refer to page 555.)

9 Controller

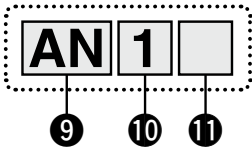
Nil	Without controller
C□1□□	With controller



Communication plug connector I/O cable*9

Symbol	Type	Applicable interface
Nil	Without accessory	—
S	Straight type communication plug connector	DeviceNet™ CC-Link Ver 1.10
T	T-branch type communication plug connector	DeviceNet™ CC-Link Ver 1.10
1	I/O cable (1.5 m)	Parallel input (NPN) Parallel input (PNP)
3	I/O cable (3 m)	
5	I/O cable (5 m)	

LEC Series (For details, refer to page 555.)



9 Controller/Driver type*4

Nil	Without controller/driver	
1N	LECP1	NPN
1P	(Programless type)	PNP
AN	LECPA *5	NPN
AP	(Pulse input type)	PNP

10 I/O cable length*6

Nil	Without cable (Without communication plug connector)
1	1.5 m
3	3 m*7
5	5 m*7

11 Controller/Driver mounting

Nil	Screw mounting
D	DIN rail*8



- *1 Size: 10, 16, 20, 25 only
- *2 Produced upon receipt of order (Robotic cable only)
- *3 The standard cable should only be used on fixed parts.
For use on moving parts, select the robotic cable.
Refer to page 758 if only the actuator cable is required.
- *4 For details on controllers/drivers and compatible motors, refer to the compatible controllers/drivers on the next page.
- *5 When pulse signals are open collector, order the current limiting resistor (LEC-PA-R-□) on page 736 separately.
- *6 When "Without controller/driver" is selected for controller/driver types, I/O cable cannot be selected. Refer to page 724 (For LECP1), or page 736 (For LECPA) if I/O cable is required.

- *7 When "Pulse input type" is selected for controller/driver types, pulse input usable only with differential. Only 1.5 m cables usable with open collector
- *8 The DIN rail is not included. It must be ordered separately.
- *9 Select "Nil" for anything other than DeviceNet™, CC-Link, or parallel input.
Select "Nil," "S," or "T" for DeviceNet™ or CC-Link.
Select "Nil," "1," "3," or "5" for parallel input.

⚠ Caution

[CE-compliant products]

① EMC compliance was tested by combining the electric actuator LEH series and the controller/JXC series.
The EMC depends on the configuration of the customer's control panel and the relationship with other electrical equipment and wiring. Therefore, compliance with the EMC directive cannot be certified for SMC components incorporated into the customer's equipment under actual operating conditions. As a result, it is necessary for the customer to verify compliance with the EMC directive for the machinery and equipment as a whole.

[UL-compliant products (For the LEC series)]

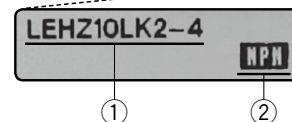
When compliance with UL is required, the electric actuator and controller/driver should be used with a UL1310 Class 2 power supply.

The actuator and controller/driver are sold as a package.

Confirm that the combination of the controller/driver and the actuator is correct.

<Check the following before use.>

- ① Check the actuator label for the model number. This number should match that of the controller/driver.
- ② Check that the Parallel I/O configuration matches (NPN or PNP).









* Refer to the Operation Manual for using the products. Please download it via our website: <https://www.smcworld.com>




- LEFS
- LEFB
- LEJS
- LEJB
- LEL
- LEM
- LEY
- LEYG
- LES
- LESH
- LEPY
- LEPS
- LER
- LEH
- LEY-X5
- 11-LEFS
- 11-LEJS
- 25A-
- LEC□
- JXC□
- LECS□
- LECS□-T
- LECY□
- Motorless
- LAT3

LEHZ Series

Step Motor (Servo/24 VDC)

Compatible Controllers/Drivers

Type	EtherCAT® direct input type	EtherNet/IP™ direct input type	PROFINET direct input type	DeviceNet™ direct input type	IO-Link direct input type	CC-Link direct input type
						
Series	JXCE1	JXC91	JXCP1	JXCD1	JXCL1	JXCM1
Features	EtherCAT® direct input	EtherNet/IP™ direct input	PROFINET direct input	DeviceNet™ direct input	IO-Link direct input	CC-Link direct input
Compatible motor	Step motor (Servo/24 VDC)					
Max. number of step data	64 points					
Power supply voltage	24 VDC					
Reference page	741					

Type	Step data input type	Programless type	Pulse input type
			
Series	JXC51 JXC61	LECP1	LECPA
Features	Parallel I/O	Capable of setting up operation (step data) without using a PC or teaching box	Operation by pulse signals
Compatible motor	Step motor (Servo/24 VDC)		
Max. number of step data	64 points	14 points	—
Power supply voltage	24 VDC		
Reference page	706-1	719	731

Specifications

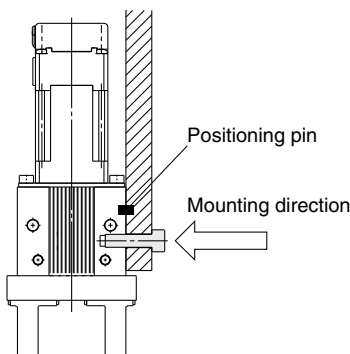


Model		LEHZ10	LEHZ16	LEHZ20	LEHZ25	LEHZ32	LEHZ40
Open and close stroke/both sides [mm]		4	6	10	14	22	30
Lead [mm]		251/73 (3.438)	249/77 (3.234)	246/53 (4.642)	243/48 (5.063)	242/39 (6.205)	254/43 (5.907)
Gripping force [N] ^{*1 *3}	Basic	6 to 14		16 to 40		52 to 130	84 to 210
	Compact	2 to 6	3 to 8	11 to 28		—	—
Open and close speed/ Pushing speed [mm/s] ^{*2 *3}		5 to 80/5 to 50		5 to 100/5 to 50		5 to 120/5 to 50	
Drive method		Slide screw + Slide cam					
Finger guide type		Linear guide (No circulation)					
Repeated length measurement accuracy [mm] ^{*4}		±0.05					
Finger backlash/ one side [mm] ^{*5}		0.25 or less			0.5 or less		
Repeatability [mm] ^{*6}		±0.02					
Positioning repeatability/one side [mm]		±0.05					
Lost motion/one side [mm] ^{*7}		0.25 or less			0.3 or less		
Impact/Vibration resistance [m/s ²] ^{*8}		150/30					
Max. operating frequency [C.P.M]		60					
Operating temperature range [°C]		5 to 40					
Operating humidity range [%RH]		90 or less (No condensation)					
Weight [g]	Basic	165	220	430	585	1120	1760
	Compact	135	190	365	520	—	—
Motor size		□20		□28		□42	
Motor type		Step motor (Servo/24 VDC)					
Encoder		Incremental A/B phase (800 pulse/rotation)					
Rated voltage [V]		24 VDC ±10%					
Power consumption/ Standby power consumption when operating [W] ^{*9}	Basic	11/7		28/15		34/13	36/13
	Compact	8/7		22/12		—	—
Max. instantaneous power consumption [W] ^{*10}	Basic	19		51		57	61
	Compact	14		42		—	—

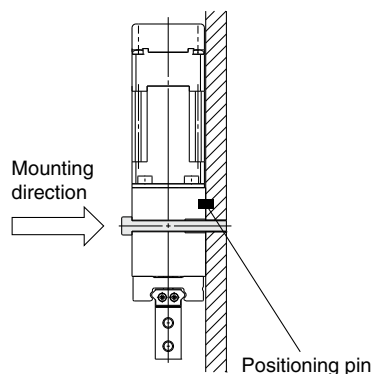
- *1 Gripping force should be from 10 to 20 times the workpiece weight. Moving force should be 150% when releasing the workpiece. Gripping force accuracy should be ±30% (F.S.) for LEHZ10/16, ±25% (F.S.) for LEHZ20/25 and ±20% (F.S.) for LEHZ32/40. Gripping with heavy attachment and fast pushing speed, may not reach the product specification. In this case, decrease the weight and lower the pushing speed.
- *2 Pushing speed should be set within the range during pushing (gripping) operations. Otherwise, it may cause a malfunction. The open/close speed and pushing speed are for both fingers. The speed for one finger is half this value.
- *3 The speed and force may change depending on the cable length, load and mounting conditions. Furthermore, if the cable length exceeds 5 m, then it will decrease by up to 10% for each 5 m. (At 15 m: Reduced by up to 20%)
- *4 Repeated length measurement accuracy means dispersion (value on the controller monitor) when the workpiece is repeatedly held in the same position.
- *5 There will be no influence of backlash during pushing (gripping) operations. Make the stroke longer for the amount of backlash when opening.
- *6 Repeatability means the variation of the gripping position (workpiece position) when gripping operations are repeatedly performed by the same sequence for the same workpiece.
- *7 A reference value for correcting an error in reciprocal operation which occurs during positioning operations
- *8 Impact resistance: No malfunction occurred when the gripper was tested with a drop tester in both an axial direction and a perpendicular direction to the lead screw. (The test was performed with the gripper in the initial state.)
Vibration resistance: No malfunction occurred in a test ranging between 45 to 2000 Hz. The test was performed in both an axial direction and a perpendicular direction to the lead screw. (The test was performed with the gripper in the initial state.)
- *9 The power consumption (including the controller) is for when the gripper is operating.
The standby power consumption when operating is for when the gripper is stopped in the set position during operations, including the energy saving mode when gripping.
- *10 The maximum instantaneous power consumption (including the controller) is for when the gripper is operating. This value can be used for the selection of the power supply.

How to Mount

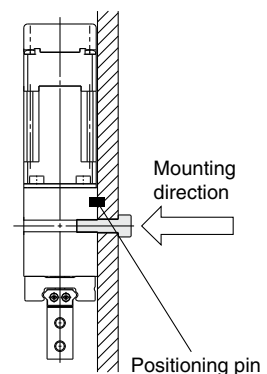
a) When using the thread on the side of the body



b) When using the thread on the mounting plate



c) When using the thread on the back of the body



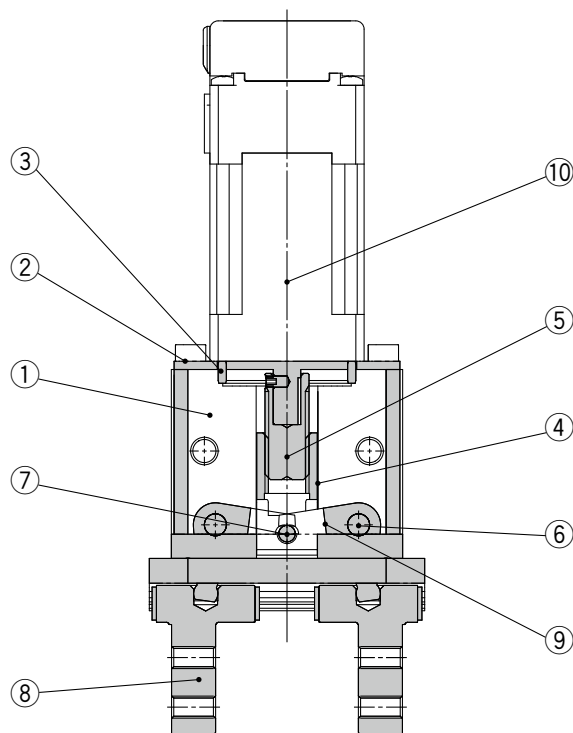
LEFS
LEFB
LEJS
LEJB
LEL
LEM
LEY
LEYG
LES
LESH
LEPY
LEPS
LER
LEH
LEY-X5
11-LEFS
11-LEJS
25A-
LEC
JXC
LECS
LECS-T
LECY
Motorless
LAT3

LEHZ Series

Step Motor (Servo/24 VDC)

Construction

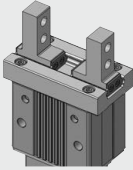
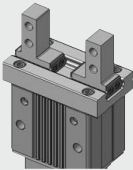
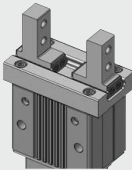
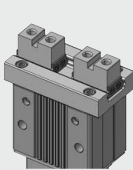
LEHZ Series



Component Parts

No.	Description	Material	Note
1	Body	Aluminum alloy	Anodized
2	Motor plate	Aluminum alloy	Anodized
3	Guide ring	Aluminum alloy	
4	Slide nut	Stainless steel	Heat treatment + Special treatment
5	Slide bolt	Stainless steel	Heat treatment + Special treatment
6	Needle roller	High carbon chromium bearing steel	
7	Needle roller	High carbon chromium bearing steel	
8	Finger assembly	—	
9	Lever	Special stainless steel	
10	Step motor (Servo/24 VDC)	—	

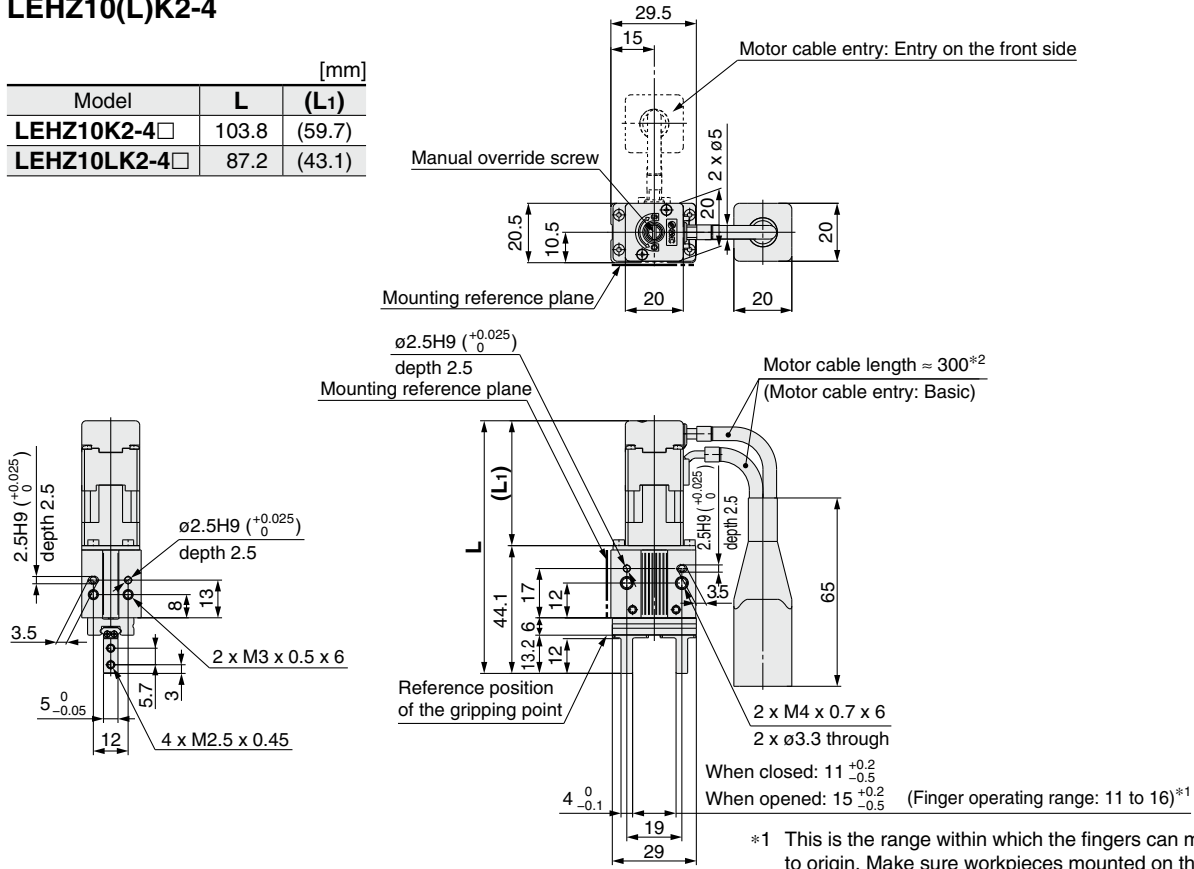
Replacement Parts ⑧ Finger Assembly

Size	Basic (Nil)	Side tapped mounting (A)	Through-hole in open/ close direction (B)	Flat fingers (C)
				
10	MHZ-AA1002	MHZ-AA1002-1	MHZ-AA1002-2	MHZ-AA1002-3
16	MHZ-AA1602	MHZ-AA1602-1	MHZ-AA1602-2	MHZ-AA1602-3
20	MHZ-AA2002	MHZ-AA2002-1	MHZ-AA2002-2	MHZ-AA2002-3
25	MHZ-AA2502	MHZ-AA2502-1	MHZ-AA2502-2	MHZ-AA2502-3
32	MHZ-A3202	MHZ-A3202-1	MHZ-A3202-2	MHZ-A3202-3
40	MHZ-A4002	MHZ-A4002-1	MHZ-A4002-2	MHZ-A4002-3

Dimensions

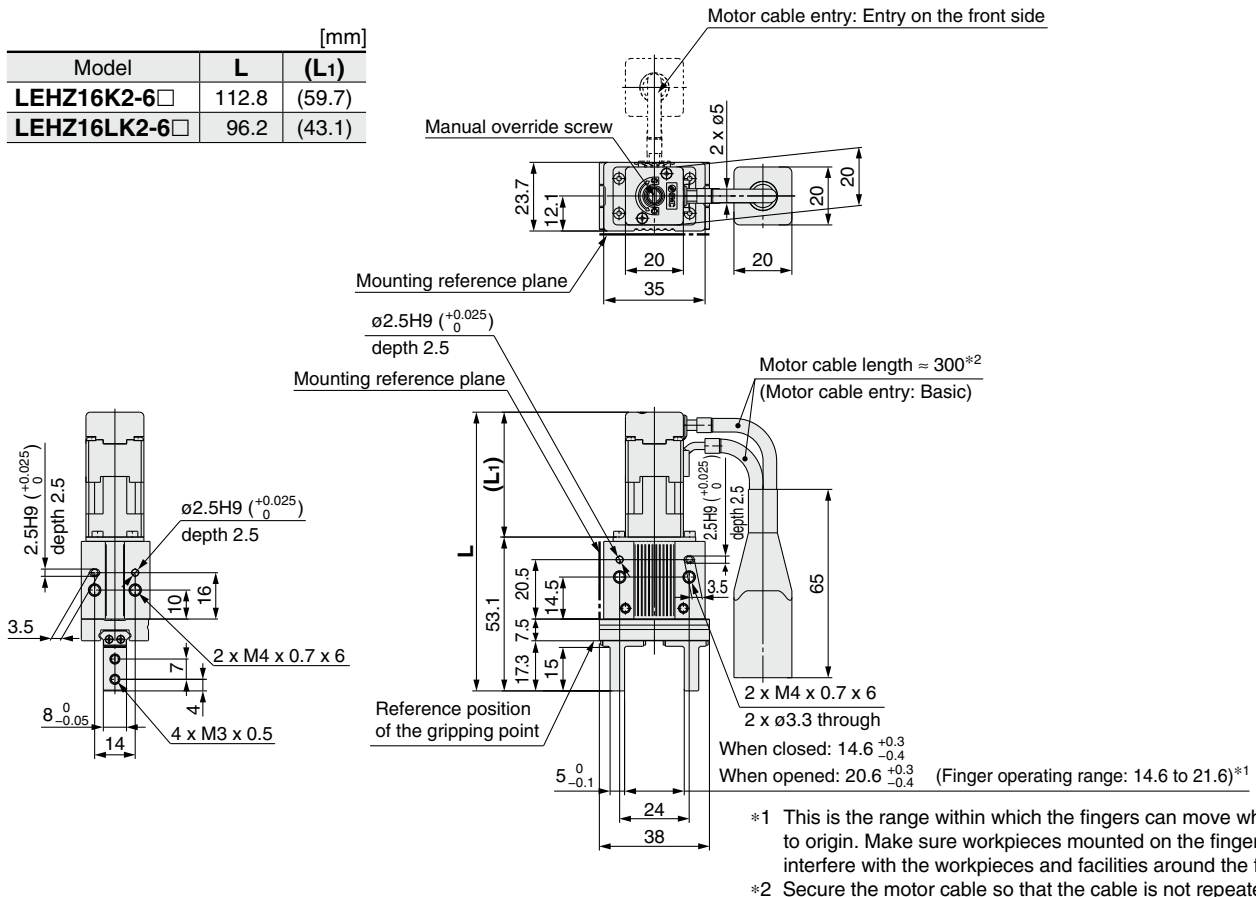
LEHZ10(L)K2-4

Model	L	(L ₁)
LEHZ10K2-4□	103.8	(59.7)
LEHZ10LK2-4□	87.2	(43.1)



LEHZ16(L)K2-6

Model	L	(L ₁)
LEHZ16K2-6□	112.8	(59.7)
LEHZ16LK2-6□	96.2	(43.1)



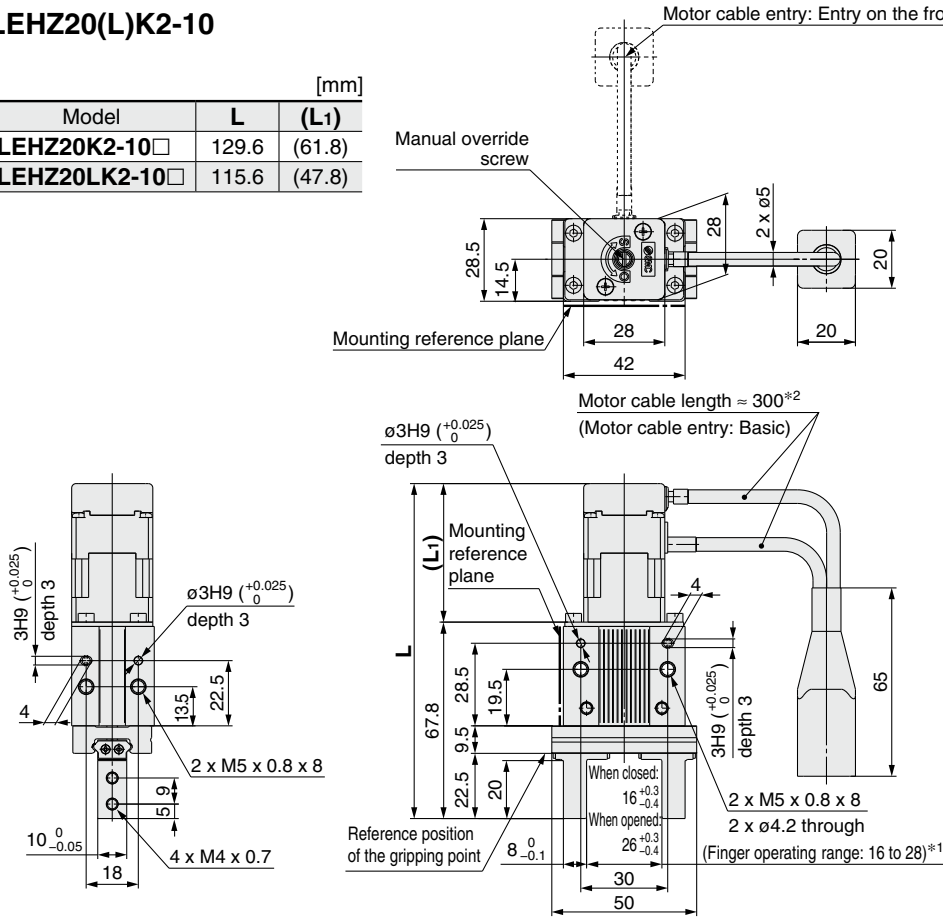
LEHZ Series

Step Motor (Servo/24 VDC)

Dimensions

LEHZ20(L)K2-10

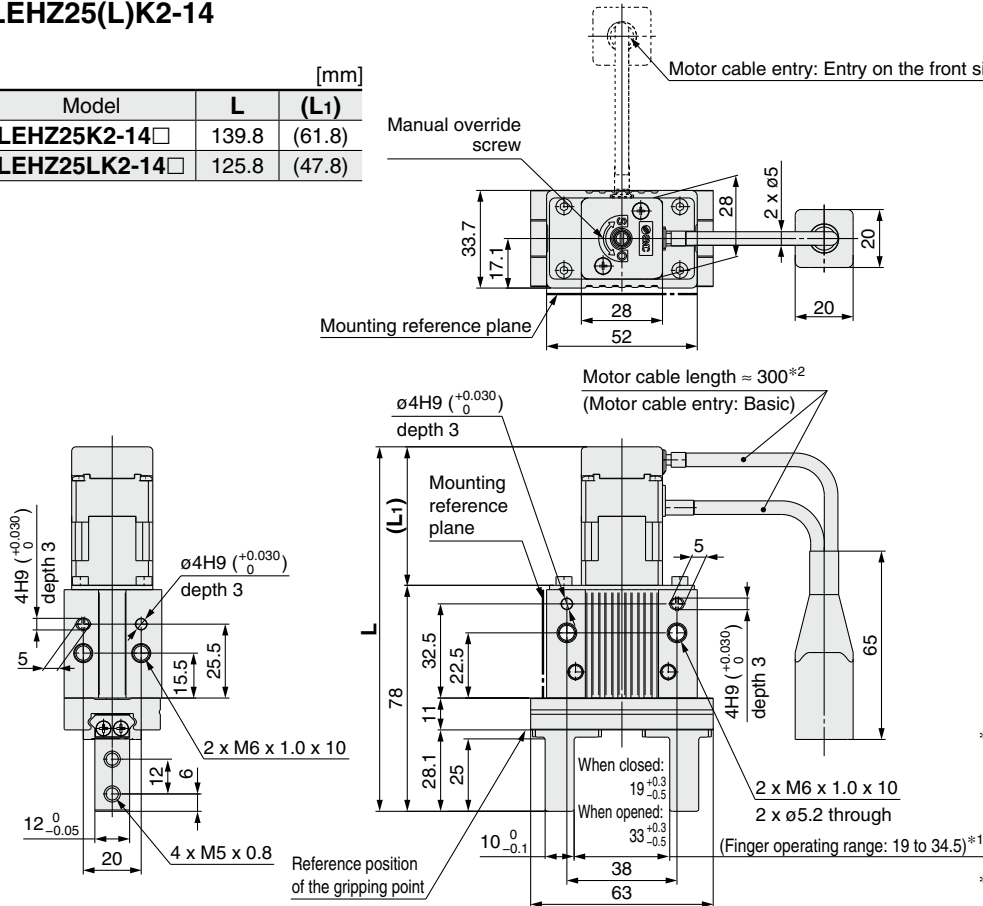
[mm]		
Model	L	(L1)
LEHZ20K2-10□	129.6	(61.8)
LEHZ20LK2-10□	115.6	(47.8)



- *1 This is the range within which the fingers can move when it returns to origin. Make sure workpieces mounted on the fingers do not interfere with the workpieces and facilities around the fingers.
- *2 Secure the motor cable so that the cable is not repeatedly bent.

LEHZ25(L)K2-14

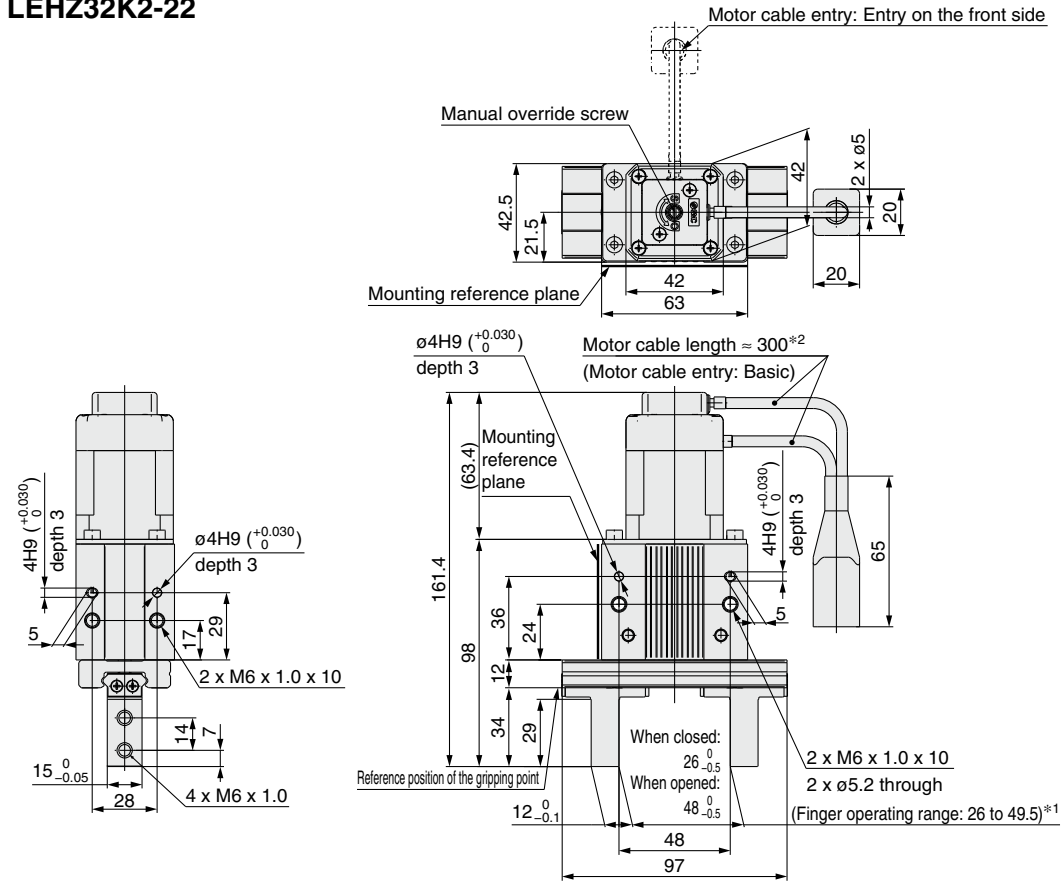
[mm]		
Model	L	(L1)
LEHZ25K2-14□	139.8	(61.8)
LEHZ25LK2-14□	125.8	(47.8)



- *1 This is the range within which the fingers can move when it returns to origin. Make sure workpieces mounted on the fingers do not interfere with the workpieces and facilities around the fingers.
- *2 Secure the motor cable so that the cable is not repeatedly bent.

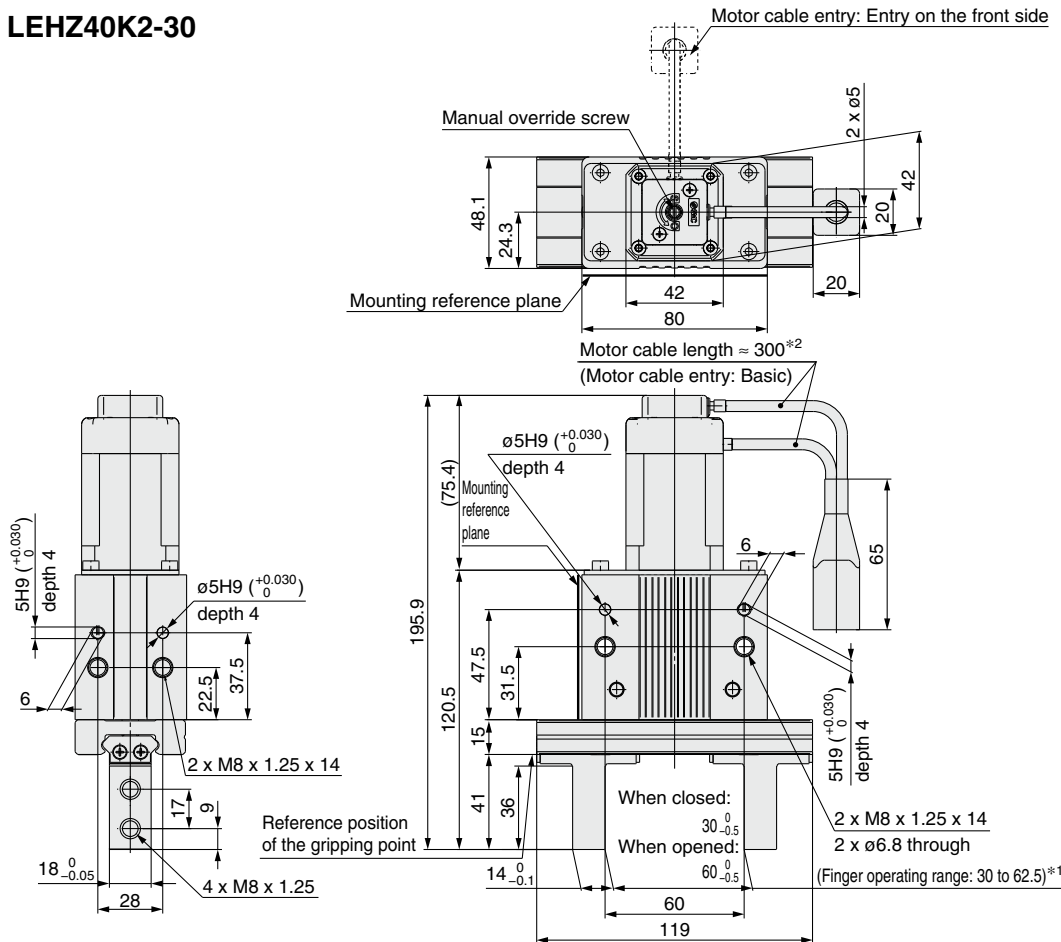
Dimensions

LEHZ32K2-22



- *1 This is the range within which the fingers can move when it returns to origin. Make sure workpieces mounted on the fingers do not interfere with the workpieces and facilities around the fingers.
- *2 Secure the motor cable so that the cable is not repeatedly bent.

LEHZ40K2-30

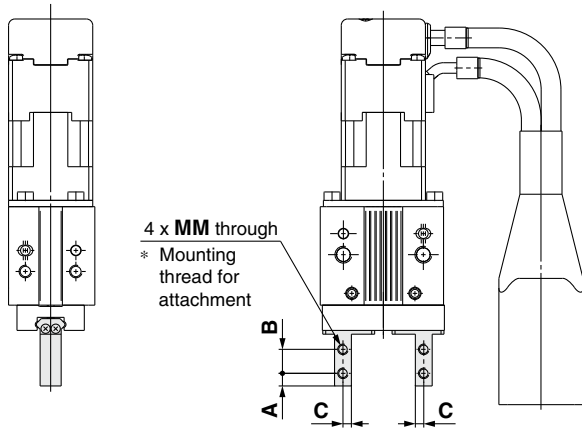


- *1 This is the range within which the fingers can move when it returns to origin. Make sure workpieces mounted on the fingers do not interfere with the workpieces and facilities around the fingers.
- *2 Secure the motor cable so that the cable is not repeatedly bent.

- LEFS
- LEFB
- LEJS
- LEJB
- LEL
- LEM
- LEY
- LEYG
- LES
- LESH
- LEPY
- LEPS
- LER
- LEH
- LEY-X5
- 11-LEFS
- 11-LEJS
- 25A-
- LEC
- JXC
- LECS
- LECS-T
- LECY
- Motorless
- LAT3

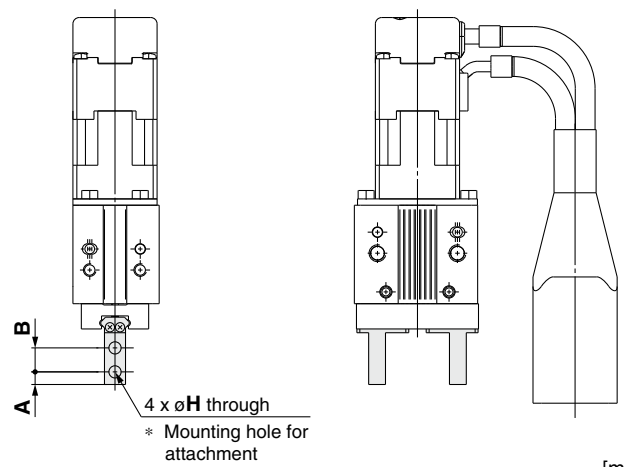
LEHZ Series Finger Options

Side Tapped Mounting (A)



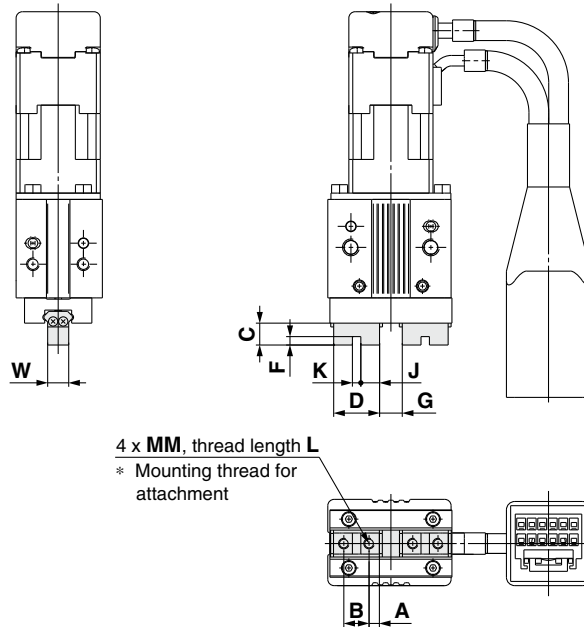
Model	A	B	C	MM
LEHZ10(L)K2-4A□	3	5.7	2	M2.5 x 0.45
LEHZ16(L)K2-6A□	4	7	2.5	M3 x 0.5
LEHZ20(L)K2-10A□	5	9	4	M4 x 0.7
LEHZ25(L)K2-14A□	6	12	5	M5 x 0.8
LEHZ32K2-22A□	7	14	6	M6 x 1
LEHZ40K2-30A□	9	17	7	M8 x 1.25

Through-hole in Open/Close Direction (B)



Model	A	B	H
LEHZ10(L)K2-4B□	3	5.7	2.9
LEHZ16(L)K2-6B□	4	7	3.4
LEHZ20(L)K2-10B□	5	9	4.5
LEHZ25(L)K2-14B□	6	12	5.5
LEHZ32K2-22B□	7	14	6.6
LEHZ40K2-30B□	9	17	9

Flat Fingers (C)



Model	A	B	C	D	F	G		J	K	MM	L	W	Weight [g]
						When opened	When closed						
LEHZ10K2-4C□	2.45	6	5.2	10.9	2	5.4 ⁰ _{-0.2}	1.4 ⁰ _{-0.2}	4.45	2H9 ^{+0.025} ₀	M2.5 x 0.45	5	5 ⁰ _{-0.05}	165
LEHZ10LK2-4C□													
LEHZ16K2-6C□	3.05	8	8.3	14.1	2.5	7.4 ⁰ _{-0.2}	1.4 ⁰ _{-0.2}	5.8	2.5H9 ^{+0.025} ₀	M3 x 0.5	6	8 ⁰ _{-0.05}	220
LEHZ16LK2-6C□													
LEHZ20K2-10C□	3.95	10	10.5	17.9	3	11.6 ⁰ _{-0.2}	1.6 ⁰ _{-0.2}	7.45	3H9 ^{+0.025} ₀	M4 x 0.7	8	10 ⁰ _{-0.05}	430
LEHZ20LK2-10C□													
LEHZ25K2-14C□	4.9	12	13.1	21.8	4	16 ⁰ _{-0.2}	2 ⁰ _{-0.2}	8.9	4H9 ^{+0.030} ₀	M5 x 0.8	10	12 ⁰ _{-0.05}	575
LEHZ25LK2-14C□													
LEHZ32K2-22C□	7.3	20	18	34.6	5	25 ⁰ _{-0.2}	3 ⁰ _{-0.2}	14.8	5H9 ^{+0.030} ₀	M6 x 1	12	15 ⁰ _{-0.05}	1145
LEHZ40K2-30C□													

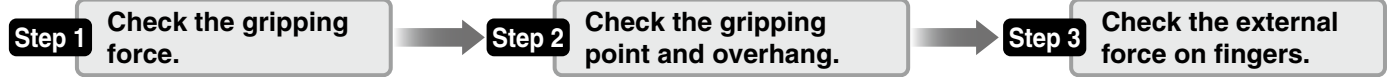
- LAT3
- Motorless
- LECY
- LECS JXC LEC
- LECS T
- 11-LEJS
- 11-LEFS
- LEY-X5
- LEH
- LER
- LEPY
LEPS
- LES
LESH
- LEY
LEYG
- LEM
- LEL
- LEJS
LEJB
- LEFS
LEFB

Model Selection

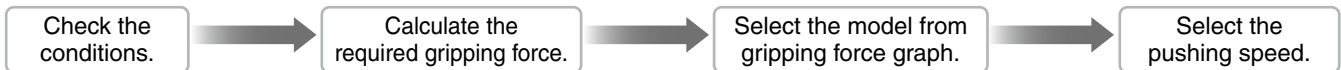


LEHZJ Series ▶ p. 569

Selection Procedure



Step 1 Check the gripping force.



Example

Workpiece mass: 0.1 kg

Guidelines for the selection of the gripper with respect to workpiece mass

- Although conditions differ according to the workpiece shape and the coefficient of friction between the attachments and the workpiece, select a model that can provide a gripping force of 10 to 20 times*¹ the workpiece weight, or more.

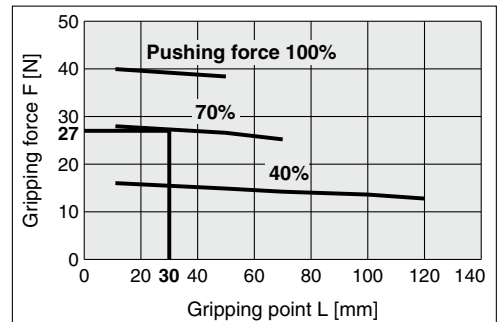
*1 For details, refer to the calculation of required gripping force.

- If high acceleration or impact forces are encountered during motion, a further margin of safety should be considered.

Example) When it is desired to set the gripping force at 20 times or more above the workpiece weight.

Required gripping force
= 0.1 kg x 20 x 9.8 m/s² ≈ 19.6 N or more

LEHZJ20



When the LEHZJ20 is selected.

- Gripping force can be found to be 27 N from the intersection point of gripping point distance L = 30 mm and pushing force of 70%.
- Gripping force is 27.6 times greater than the workpiece weight, and therefore satisfies a gripping force setting value of 20 times or more.

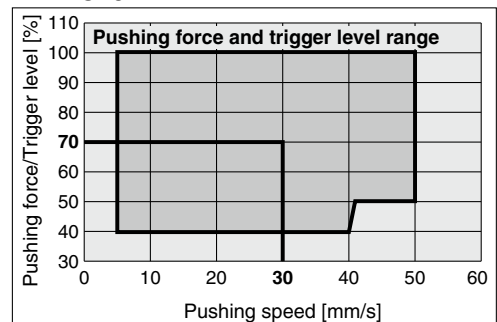
Pushing force: 70%

Pushing force is one of the values of step data that is input into the controller.

Gripping point distance: 30 mm

Pushing speed: 30 mm/s

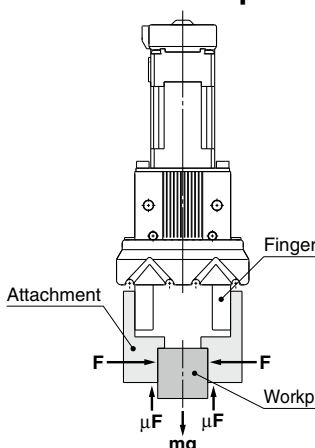
LEHZJ20



- Pushing speed is satisfied at the point where 70% of the pushing force and 30 mm/s of the pushing speed cross.

* Confirm the pushing speed range from the determined pushing force [%].

Calculation of required gripping force



When gripping a workpiece as in the figure to the left, and with the following definitions,

- F: Gripping force [N]
- μ: Coefficient of friction between the attachments and the workpiece
- m: Workpiece mass [kg]
- g: Gravitational acceleration (= 9.8 m/s²)
- mg: Workpiece weight [N]

the conditions under which the workpiece will not drop are

$$2 \times \mu F > mg$$

and therefore, $F > \frac{mg}{2 \times \mu}$

With "a" representing the margin, "F" is determined by the following formula:

$$F = \frac{mg}{2 \times \mu} \times a$$

"Gripping force at least 10 to 20 times the workpiece weight"

- The "10 to 20 times or more of the workpiece weight" recommended by SMC is calculated with a margin of "a" = 4, which allows for impacts that occur during normal transportation, etc.

When μ = 0.2	When μ = 0.1
$F = \frac{mg}{2 \times 0.2} \times 4 = 10 \times mg$	$F = \frac{mg}{2 \times 0.1} \times 4 = 20 \times mg$

10 x Workpiece weight

20 x Workpiece weight

<Reference> Coefficient of friction μ (depends on the operating environment, contact pressure, etc.)

Coefficient of friction μ	Attachment – Material of workpieces (guideline)
0.1	Metal (surface roughness Rz3.2 or less)
0.2	Metal
0.2 or more	Rubber, Resin, etc.

- * Even in cases where the coefficient of friction is greater than μ = 0.2, for reasons of safety, select a gripping force which is at least 10 to 20 times greater than the workpiece weight, as recommended by SMC.
- * If high acceleration or impact forces are encountered during motion, a further margin should be considered.

Selection Procedure

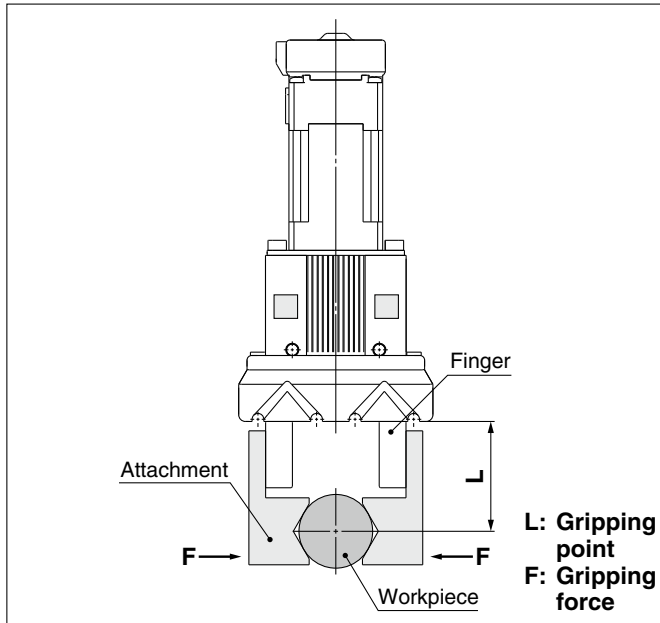
Step 1 Check the gripping force: LEHZJ Series

● Indication of gripping force

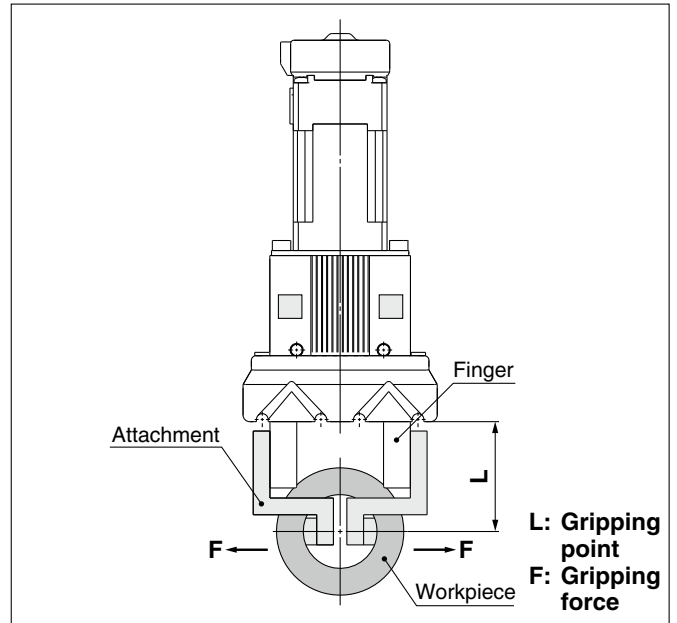
The gripping force shown in the graphs below is expressed as “F”, which is the gripping force of one finger, when both fingers and attachments are in full contact with the workpiece as shown in the figure below.

● Set the workpiece gripping point “L” so that it is within the range shown in the figure below.

External Gripping State



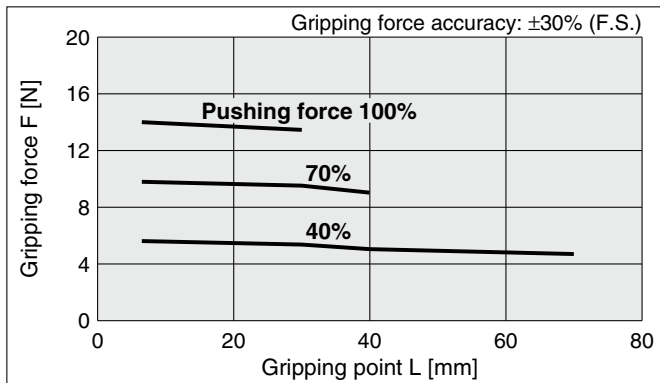
Internal Gripping State



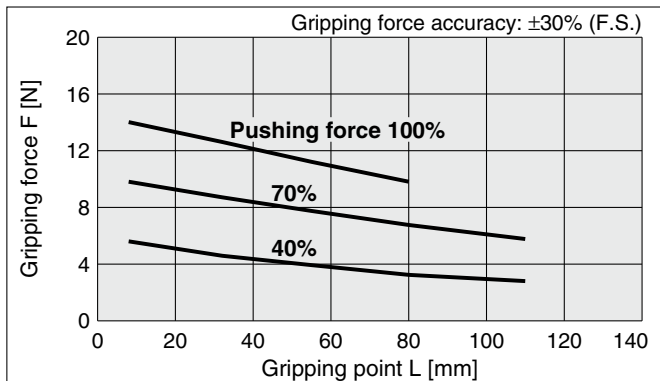
* Pushing force is one of the values of step data that is input into the controller.

Basic

LEHZJ10



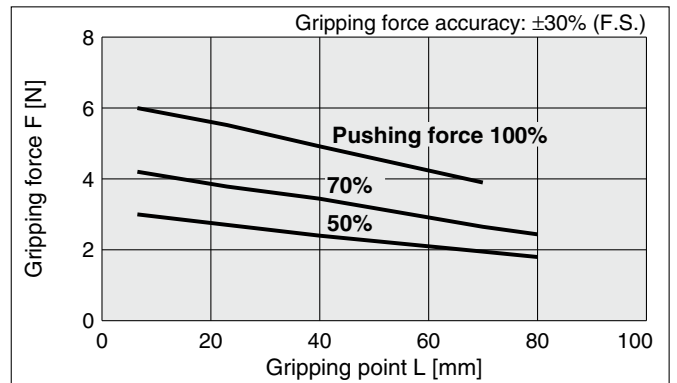
LEHZJ16



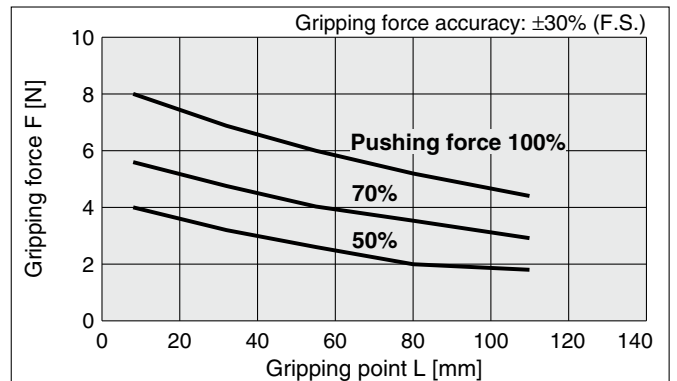
* Pushing force is one of the values of step data that is input into the controller.

Compact

LEHZJ10L



LEHZJ16L



- LEFS
- LEFB
- LEJS
- LEJB
- LEL
- LEM
- LEY
- LEYG
- LES
- LESH
- LEPY
- LEPS
- LER
- LEH
- LEY-X5
- 11-LEFS
- 11-LEJS
- 25A-
- LEC
- JXC
- LECS
- LECS-T
- LECY
- Motorless
- LAT3

LEHZJ Series

Step Motor (Servo/24 VDC)

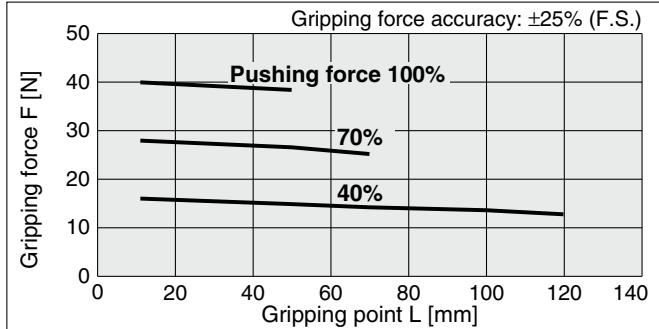
Selection Procedure

Step 1 Check the gripping force: LEHZJ Series

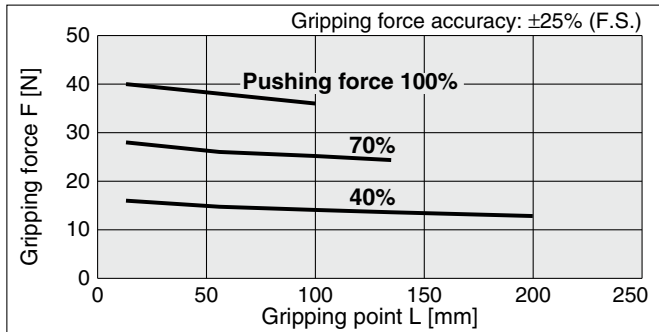
Basic

* Pushing force is one of the values of step data that is input into the controller.

LEHZJ20



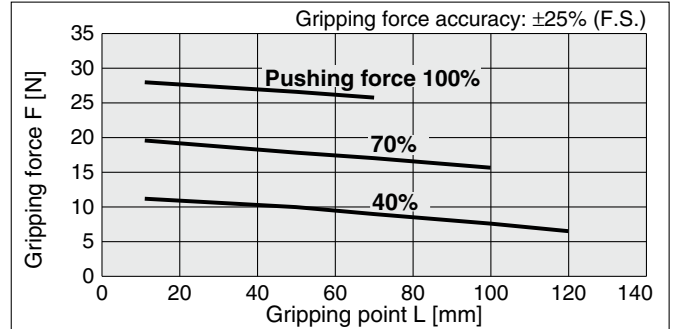
LEHZJ25



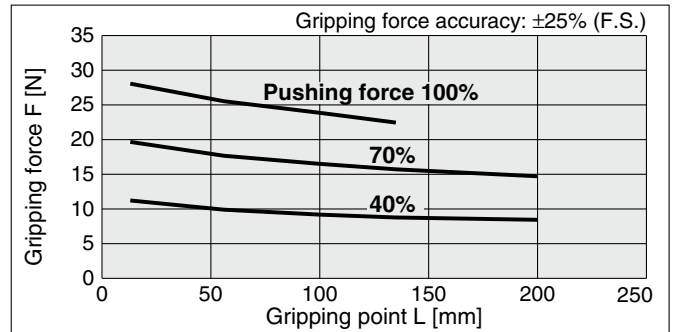
Compact

* Pushing force is one of the values of step data that is input into the controller.

LEHZJ20L



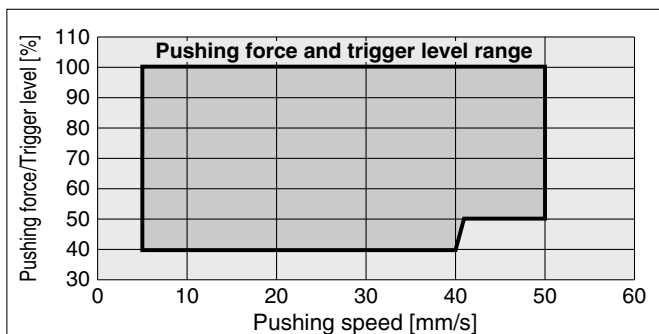
LEHZJ25L



Selection of Pushing Speed

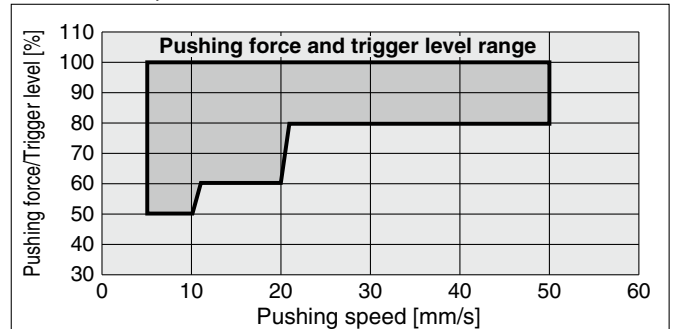
● Set the [Pushing force] and [Trigger level] within the range shown in the figure below.

Basic

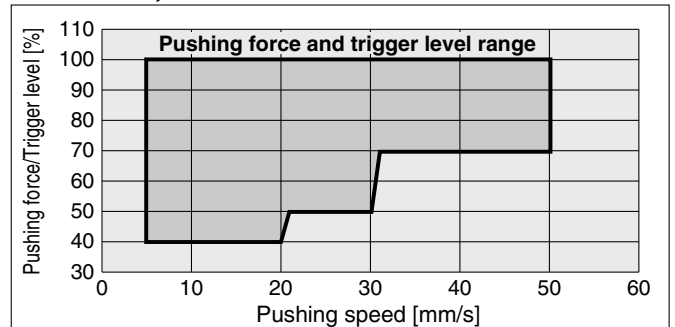


Compact

LEHZJ10L, LEHZJ16L



LEHZJ20L, LEHZJ25L

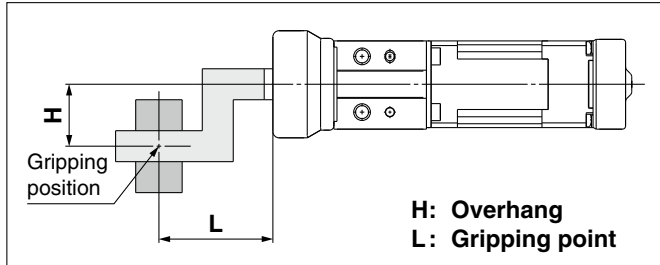


Selection Procedure

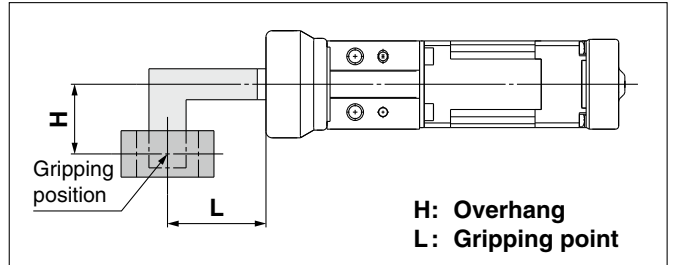
Step 2 Check the gripping point and overhang: LEHZJ Series

- Decide the gripping position of the workpiece so that the amount of overhang "H" stays within the range shown in the figure below.
- If the gripping position is out of the limit, it may shorten the life of the electric gripper.

External Gripping State



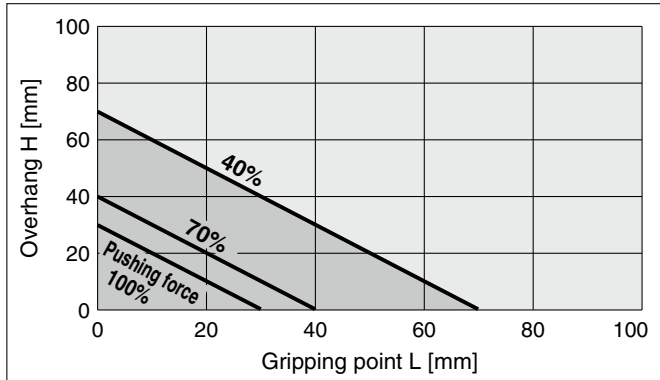
Internal Gripping State



Basic

* Pushing force is one of the values of step data that is input into the controller.

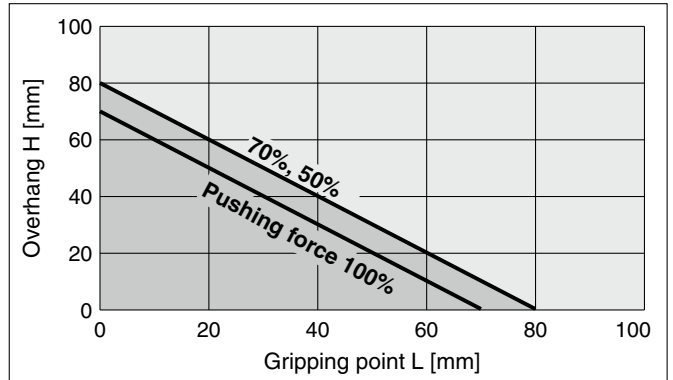
LEHZJ10



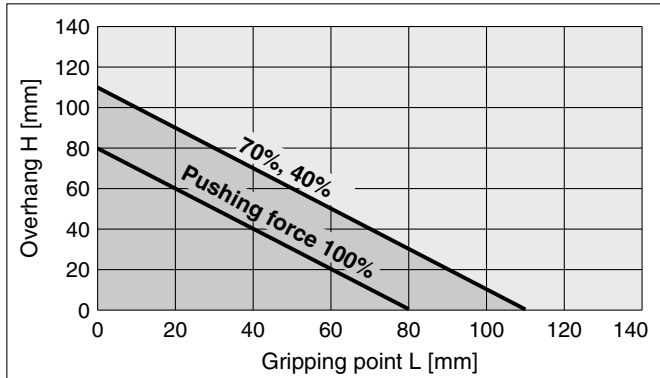
Compact

* Pushing force is one of the values of step data that is input into the controller.

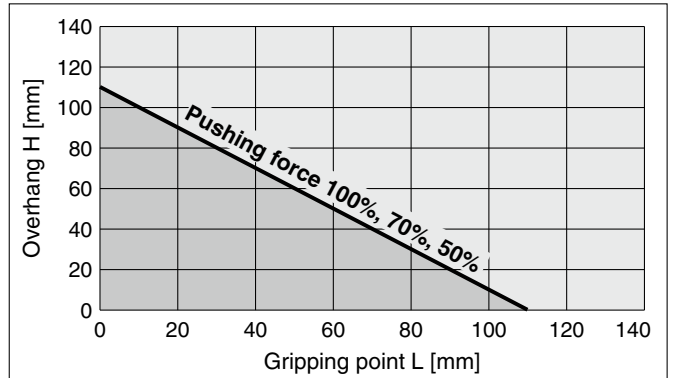
LEHZJ10L



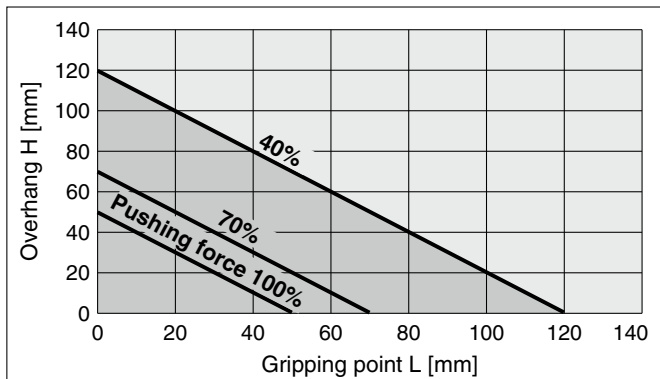
LEHZJ16



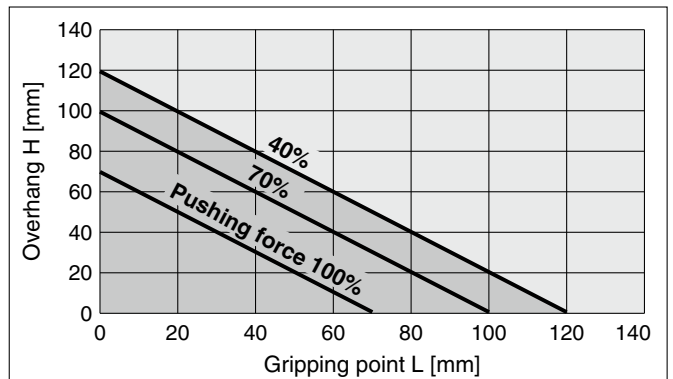
LEHZJ16L



LEHZJ20



LEHZJ20L



- LEFS
- LEFB
- LEJS
- LEJB
- LEL
- LEM
- LEYG
- LEYS
- LESH
- LEPY
- LEPS
- LER
- LEH
- LEY-X5
- 11-LEFS
- 11-LEJS
- 25A-
- LEC
- JXC
- LECS
- LECS-T
- LECY
- Motorless
- LAT3

LEHZJ Series

Step Motor (Servo/24 VDC)

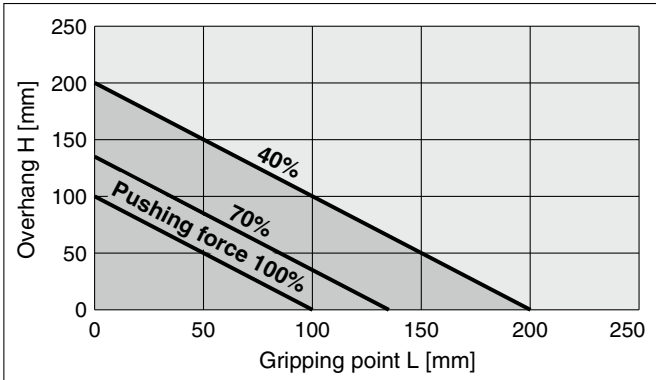
Selection Procedure

Step 2 Check the gripping point and overhang: LEHZJ Series

Basic

* Pushing force is one of the values of step data that is input into the controller.

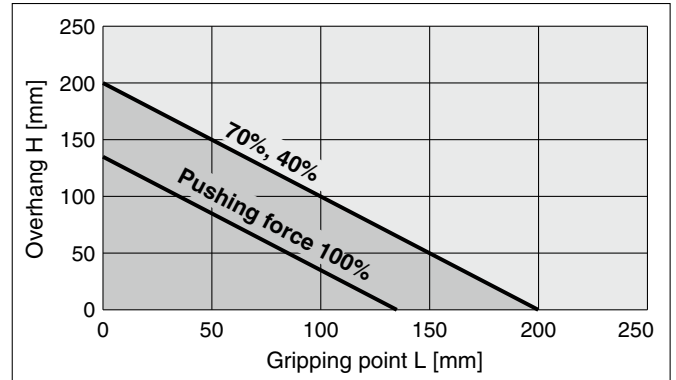
LEHZJ25



Compact

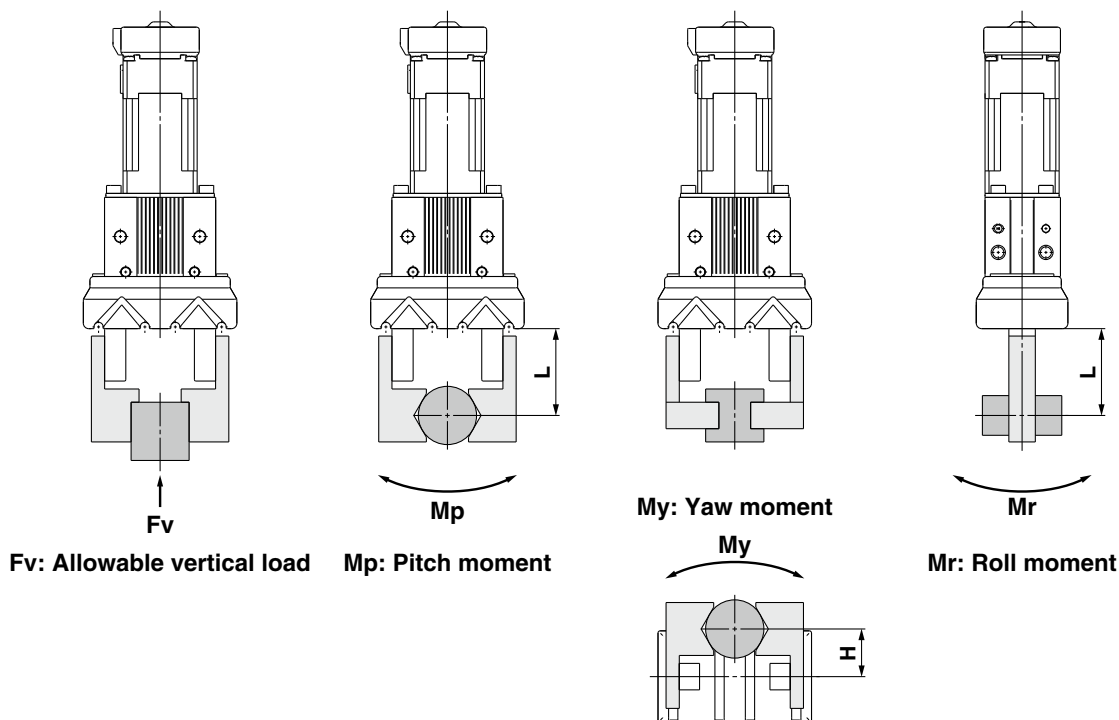
* Pushing force is one of the values of step data that is input into the controller.

LEHZJ25L



Selection Procedure

Step 3 Check the external force on fingers: LEHZJ Series



H, L: Distance to the point at which the load is applied [mm]

Model	Allowable vertical load Fv [N]	Static allowable moment		
		Pitch moment: Mp [N·m]	Yaw moment: My [N·m]	Roll moment: Mr [N·m]
LEHZJ10(L)K2-4	58	0.26	0.26	0.53
LEHZJ16(L)K2-6	98	0.68	0.68	1.36
LEHZJ20(L)K2-10	147	1.32	1.32	2.65
LEHZJ25(L)K2-14	255	1.94	1.94	3.88

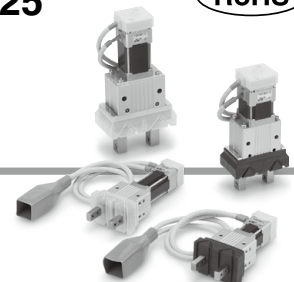
* Values for load in the table indicate static values.

Calculation of allowable external force (when moment load is applied)	Calculation example
$\text{Allowable load } F \text{ [N]} = \frac{M \text{ (Static allowable moment) [N·m]}}{L \times 10^{-3} \text{ *1}}$ <p>(*1 Constant for unit conversion)</p>	<p>When a static load of $f = 10 \text{ N}$ is operating, which applies pitch moment to point $L = 30 \text{ mm}$ from the LEHZJ16K2-6 guide. Therefore, it can be used.</p> $\text{Allowable load } F = \frac{0.68}{30 \times 10^{-3}}$ $= 22.7 \text{ [N]}$ <p>Load $f = 10 \text{ [N]} < 22.7 \text{ [N]}$</p>

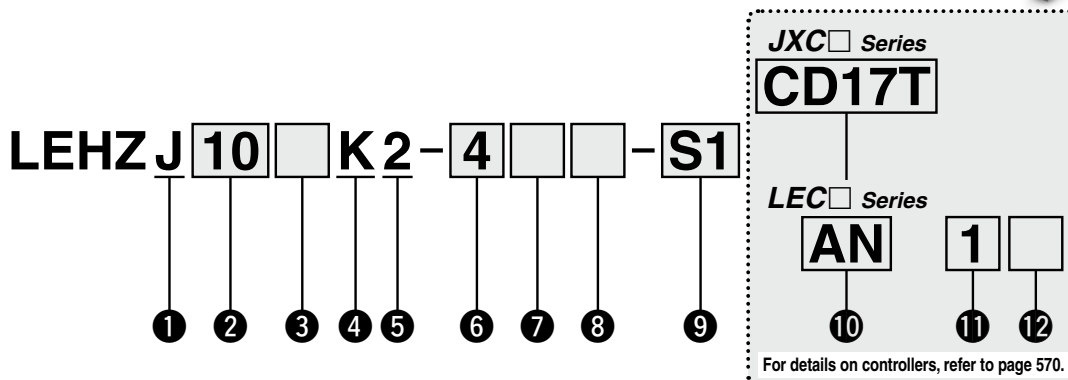
- LEFS
- LEFB
- LEJS
- LEJB
- LEL
- LEM
- LEY
- LEYG
- LES
- LESH
- LEPY
- LEPS
- LER
- LEH
- LEY-X5
- 11-LEFS
- 11-LEJS
- 25A-
- LEC
- JXC
- LECS
- LECS-T
- LECY
- Motorless
- LAT3

Electric Gripper 2-Finger Type With Dust Cover

LEHZJ Series LEHZJ10, 16, 20, 25



How to Order



1 Dust cover

J	With dust cover
----------	-----------------

2 Size

10
16
20
25

3 Motor size

Nil	Basic
L	Compact

4 Lead

K	Basic
----------	-------

5 2-finger type

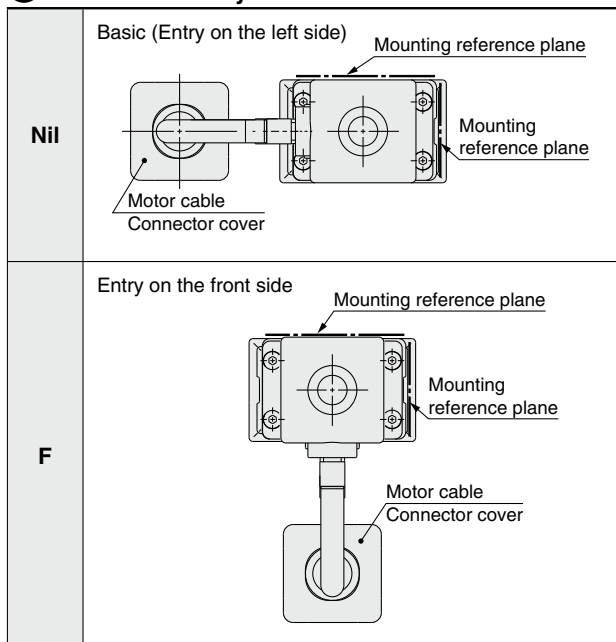
6 Stroke [mm]

Stroke/both sides	Size
4	10
6	16
10	20
14	25

7 Dust cover type

Nil	Chloroprene rubber (CR)
K	Fluororubber (FKM)
S	Silicone rubber (Si)

8 Motor cable entry



9 Actuator cable type/length*2

Standard cable [m]		Robotic cable		[m]
Nil	None	R1	1.5	RA 10*1
S1	1.5	R3	3	RB 15*1
S3	3	R5	5	RC 20*1
S5	5	R8	8*1	

JXC Series (For details, refer to page 571.)

10 Controller

Nil	Without controller
C□1□□	With controller

C D 1 7 T

Interface

(Communication protocol/Input/Output)

E	EtherCAT®	L	IO-Link
9	EtherNet/IP™	M	CC-Link Ver 1.10
P	PROFINET	5	Parallel input (NPN)
D	DeviceNet™	6	Parallel input (PNP)

Mounting

7	Screw mounting
8 *7	DIN rail

• For single axis



Communication plug connector I/O cable*8

Symbol	Type	Applicable interface
Nil	Without accessory	—
S	Straight type communication plug connector	DeviceNet™ CC-Link Ver 1.10
T	T-branch type communication plug connector	DeviceNet™ CC-Link Ver 1.10
1	I/O cable (1.5 m)	Parallel input (NPN) Parallel input (PNP)
3	I/O cable (3 m)	
5	I/O cable (5 m)	

LEC Series (For details, refer to page 571.)

AN 1

10 Controller/Driver type*3

Nil	Without controller/driver	
1N	LECP1	NPN
1P	(Programless type)	PNP
AN	LECPA *4	NPN
AP	(Pulse input type)	PNP

11 I/O cable length*5

Nil	Without cable (Without communication plug connector)
1	1.5 m
3	3 m*6
5	5 m*6

12 Controller/Driver mounting

Nil	Screw mounting
D	DIN rail*7



- *1 Produced upon receipt of order (Robotic cable only)
- *2 The standard cable should only be used on fixed parts. For use on moving parts, select the robotic cable. Refer to page 758 if only the actuator cable is required.
- *3 For details on controllers/drivers and compatible motors, refer to the compatible controllers/drivers on the next page.
- *4 When pulse signals are open collector, order the current limiting resistor (LEC-PA-R-□) on page 736 separately.
- *5 When "Without controller/driver" is selected for controller/driver types, I/O cable cannot be selected. Refer to page 724 (For LECP1), or page 736 (For LECPA) if I/O cable is required.

- *6 When "Pulse input type" is selected for controller/driver types, pulse input usable only with differential. Only 1.5 m cables usable with open collector
- *7 The DIN rail is not included. It must be ordered separately.
- *8 Select "Nil" for anything other than DeviceNet™, CC-Link, or parallel input. Select "Nil," "S," or "T" for DeviceNet™ or CC-Link. Select "Nil," "1," "3," or "5" for parallel input.

⚠ Caution

[CE-compliant products]

① EMC compliance was tested by combining the electric actuator LEH series and the controller LEC/JXC series. The EMC depends on the configuration of the customer's control panel and the relationship with other electrical equipment and wiring. Therefore, compliance with the EMC directive cannot be certified for SMC components incorporated into the customer's equipment under actual operating conditions. As a result, it is necessary for the customer to verify compliance with the EMC directive for the machinery and equipment as a whole.

[UL-compliant products (For the LEC series)]

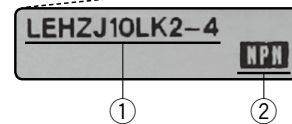
When compliance with UL is required, the electric actuator and controller/driver should be used with a UL1310 Class 2 power supply.

The actuator and controller/driver are sold as a package.

Confirm that the combination of the controller/driver and the actuator is correct.

<Check the following before use.>

- ① Check the actuator label for the model number. This number should match that of the controller/driver.
- ② Check that the Parallel I/O configuration matches (NPN or PNP).









* Refer to the Operation Manual for using the products. Please download it via our website: <https://www.smcworld.com>




LEFS
LEJB
LEL
LEM
LEYG
LESH
LEPS
LER
LEH
LEY-X5
11-LEFS
11-LEJS
25A-
LEC
JXC
LECS
LECS-T
LECY
Motorless
LAT3

LEHZJ Series

Step Motor (Servo/24 VDC)

Compatible Controllers/Drivers

Type	EtherCAT® direct input type 	EtherNet/IP™ direct input type 	PROFINET direct input type 	DeviceNet™ direct input type 	IO-Link direct input type 	CC-Link direct input type 
Series	JXCE1	JXC91	JXCP1	JXCD1	JXCL1	JXCM1
Features	EtherCAT® direct input	EtherNet/IP™ direct input	PROFINET direct input	DeviceNet™ direct input	IO-Link direct input	CC-Link direct input
Compatible motor	Step motor (Servo/24 VDC)					
Max. number of step data	64 points					
Power supply voltage	24 VDC					
Reference page	741					

Type	Step data input type 	Programless type 	Pulse input type 
Series	JXC51 JXC61	LECP1	LECPA
Features	Parallel I/O	Capable of setting up operation (step data) without using a PC or teaching box	Operation by pulse signals
Compatible motor	Step motor (Servo/24 VDC)		
Max. number of step data	64 points	14 points	—
Power supply voltage	24 VDC		
Reference page	706-1	719	731

Specifications



Model		LEHZJ10	LEHZJ16	LEHZJ20	LEHZJ25
Open and close stroke/both sides [mm]		4	6	10	14
Lead [mm]		251/73 (3.438)	249/77 (3.234)	246/53 (4.642)	243/48 (5.063)
Gripping force [N] ^{*1 *3}	Basic	6 to 14		16 to 40	
	Compact	3 to 6	4 to 8	11 to 28	
Open and close speed/Pushing speed [mm/s] ^{*2 *3}		5 to 80/5 to 50		5 to 100/5 to 50	
Drive method		Slide screw + Slide cam			
Finger guide type		Linear guide (No circulation)			
Repeated length measurement accuracy [mm] ^{*4}		±0.05			
Finger backlash/ one side [mm] ^{*5}		0.25 or less			
Repeatability [mm] ^{*6}		±0.02			
Positioning repeatability/one side [mm]		±0.05			
Lost motion/one side [mm] ^{*7}		0.25 or less			
Impact/Vibration resistance [m/s ²] ^{*8}		150/30			
Max. operating frequency [C.P.M]		60			
Operating temperature range [°C]		5 to 40			
Operating humidity range [%RH]		90 or less (No condensation)			
Weight [g]	Basic	170	230	440	610
	Compact	140	200	375	545
Motor size		□20		□28	
Motor type		Step motor (Servo/24 VDC)			
Encoder		Incremental A/B phase (800 pulse/rotation)			
Rated voltage [V]		24 VDC ±10%			
Power consumption/ Standby power consumption when operating [W] ^{*9}	Basic	11/7		28/15	
	Compact	8/7		22/12	
Max. instantaneous power consumption [W] ^{*10}	Basic	19		51	
	Compact	14		42	

*1 Gripping force should be from 10 to 20 times the workpiece weight. Moving force should be 150% when releasing the workpiece. Gripping force accuracy should be ±30% (F.S.) for LEHZJ10/16 and ±25% (F.S.) for LEHZJ20/25. Gripping with heavy attachment and fast pushing speed, may not reach the product specification. In this case, decrease the weight and lower the pushing speed.

*2 Pushing speed should be set within the range during pushing (gripping) operations. Otherwise, it may cause a malfunction. The open/close speed and pushing speed are for both fingers. The speed for one finger is half this value.

*3 The speed and force may change depending on the cable length, load and mounting conditions. Furthermore, if the cable length exceeds 5 m, then it will decrease by up to 10% for each 5 m. (At 15 m: Reduced by up to 20%)

*4 Repeated length measurement accuracy means dispersion (value on the controller monitor) when the workpiece is repeatedly held in the same position.

*5 There will be no influence of backlash during pushing (gripping) operations. Make the stroke longer for the amount of backlash when opening.

*6 Repeatability means the variation of the gripping position (workpiece position) when gripping operations are repeatedly performed by the same sequence for the same workpiece.

*7 A reference value for correcting an error in reciprocal operation which occurs during positioning operations

*8 Impact resistance: No malfunction occurred when the gripper was tested with a drop tester in both an axial direction and a perpendicular direction to the lead screw. (The test was performed with the gripper in the initial state.)

Vibration resistance: No malfunction occurred in a test ranging between 45 to 2000 Hz. The test was performed in both an axial direction and a perpendicular direction to the lead screw. (The test was performed with the gripper in the initial state.)

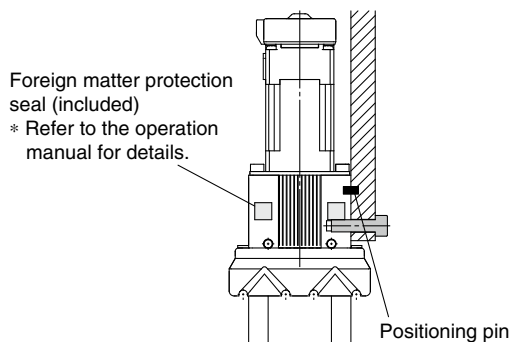
*9 The power consumption (including the controller) is for when the gripper is operating.

The standby power consumption when operating is for when the gripper is stopped in the set position during operation, including the energy saving mode when gripping.

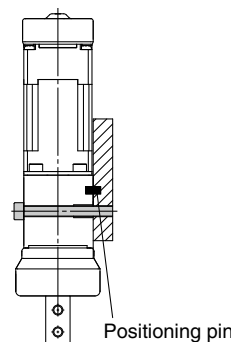
*10 The maximum instantaneous power consumption (including the controller) is for when the gripper is operating. This value can be used for the selection of the power supply.

How to Mount

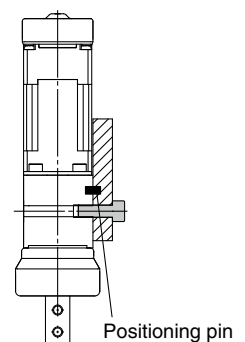
a) When using the thread on the side of the body



b) When using the thread on the mounting plate



c) When using the thread on the back of the body



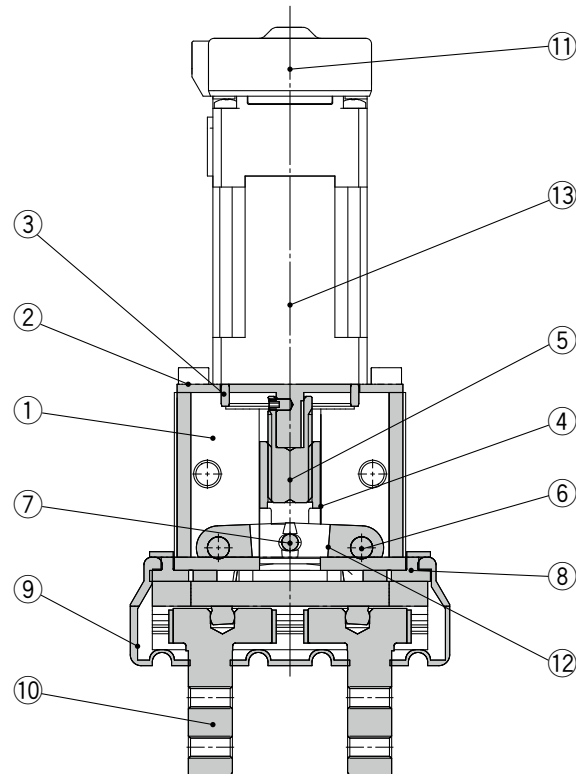
LEFS
LEFB
LEJS
LEJB
LEL
LEM
LEY
LEYG
LES
LESH
LEPY
LEPS
LER
LEH
LEY-X5
11-LEFS
11-LEJS
25A-
LEC
JXC
LECS
LECS-T
LECY
Motorless
LAT3

LEHZJ Series

Step Motor (Servo/24 VDC)

Construction

LEHZJ Series



Component Parts

No.	Description	Material	Note
1	Body	Aluminum alloy	Anodized
2	Motor plate	Aluminum alloy	Anodized
3	Guide ring	Aluminum alloy	
4	Slide nut	Stainless steel	Heat treatment + Special treatment
5	Slide bolt	Stainless steel	Heat treatment + Special treatment
6	Needle roller	High carbon chromium bearing steel	
7	Needle roller	High carbon chromium bearing steel	
8	Body plate	Aluminum alloy	Anodized
9	Dust cover	CR	Chloroprene rubber
		FKM	Fluororubber
		Si	Silicone rubber
10	Finger assembly	—	
11	Encoder dust cover	Si	Silicone rubber
12	Lever	Special stainless steel	
13	Step motor (Servo/24 VDC)	—	

Replacement Parts

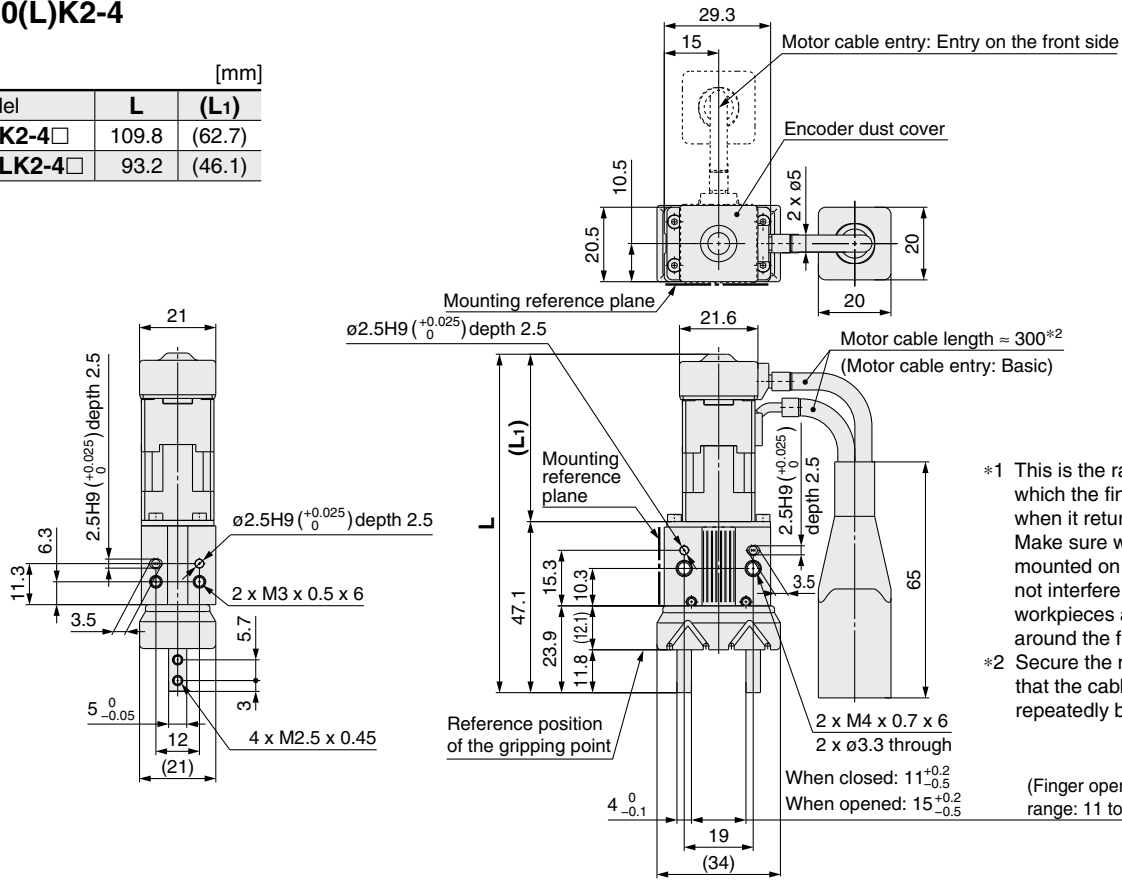
No.	Description		LEHZJ10	LEHZJ16	LEHZJ20	LEHZJ25
9	Dust cover	Material				
		CR	MHZJ2-J10	MHZJ2-J16	MHZJ2-J20	MHZJ2-J25
		FKM	MHZJ2-J10F	MHZJ2-J16F	MHZJ2-J20F	MHZJ2-J25F
	Si	MHZJ2-J10S	MHZJ2-J16S	MHZJ2-J20S	MHZJ2-J25S	
10	Finger assembly		MHZJ-AA1002	MHZJ-AA1602	MHZJ-AA2002	MHZJ-AA2502

* The dust cover is a consumable part. Please replace as necessary.

Dimensions

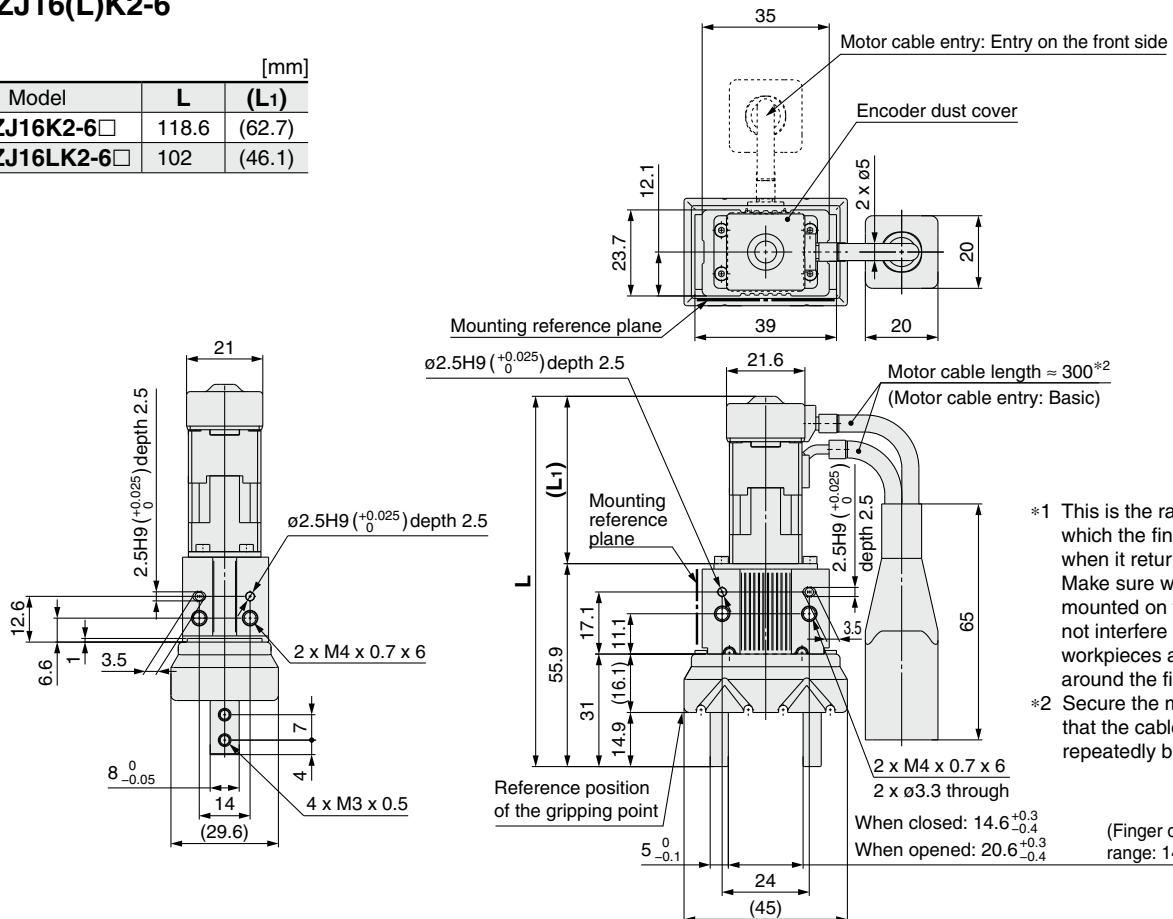
LEHZJ10(L)K2-4

Model	L	(L1)
LEHZJ10K2-4□	109.8	(62.7)
LEHZJ10LK2-4□	93.2	(46.1)



LEHZJ16(L)K2-6

Model	L	(L1)
LEHZJ16K2-6□	118.6	(62.7)
LEHZJ16LK2-6□	102	(46.1)



- LEFS
- LEFB
- LEJS
- LEJB
- LEL
- LEM
- LEY
- LEYG
- LES
- LESH
- LEPY
- LEPS
- LER
- LEH
- LEY-X5
- 11-LEFS
- 11-LEJS
- 25A-
- LEC□
- JXC□
- LECS□
- LECS□-T
- LECY□
- Motorless
- LAT3

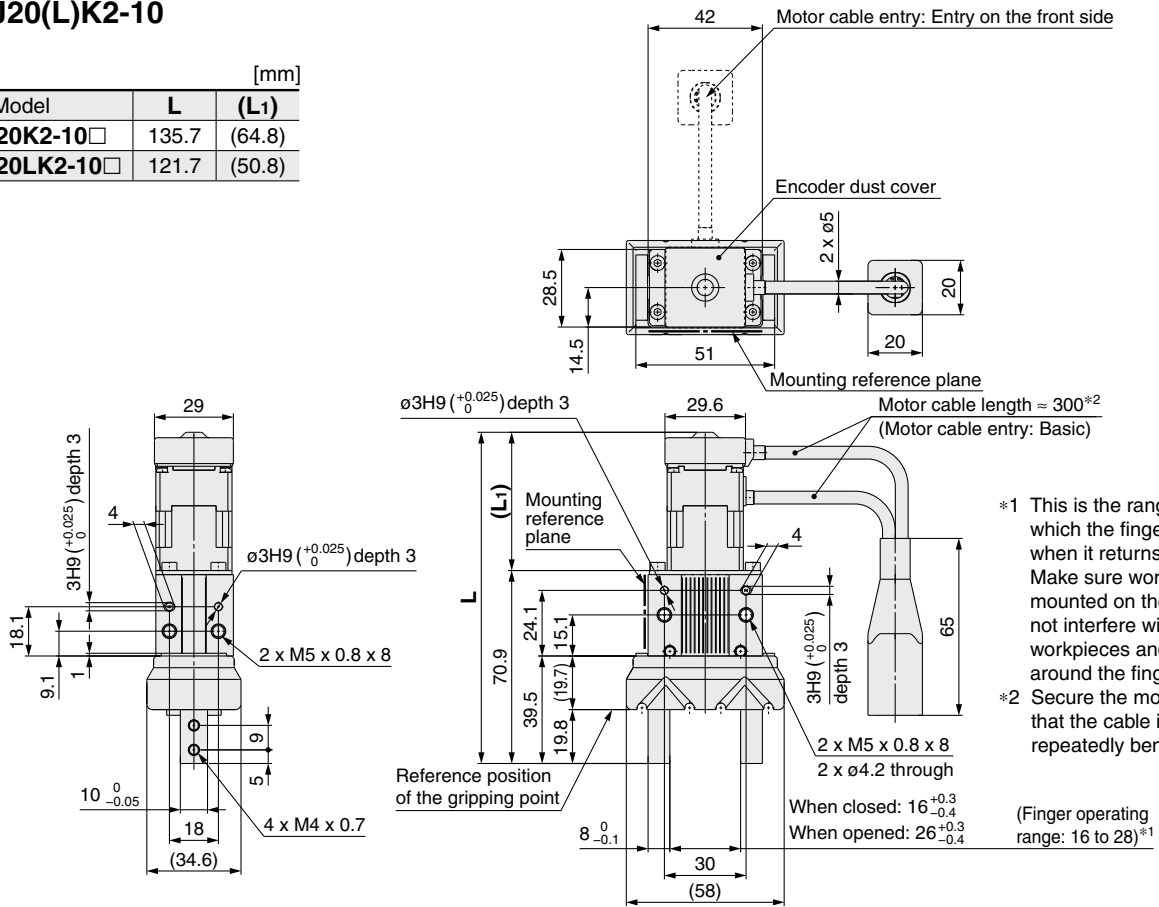
LEHZJ Series

Step Motor (Servo/24 VDC)

Dimensions

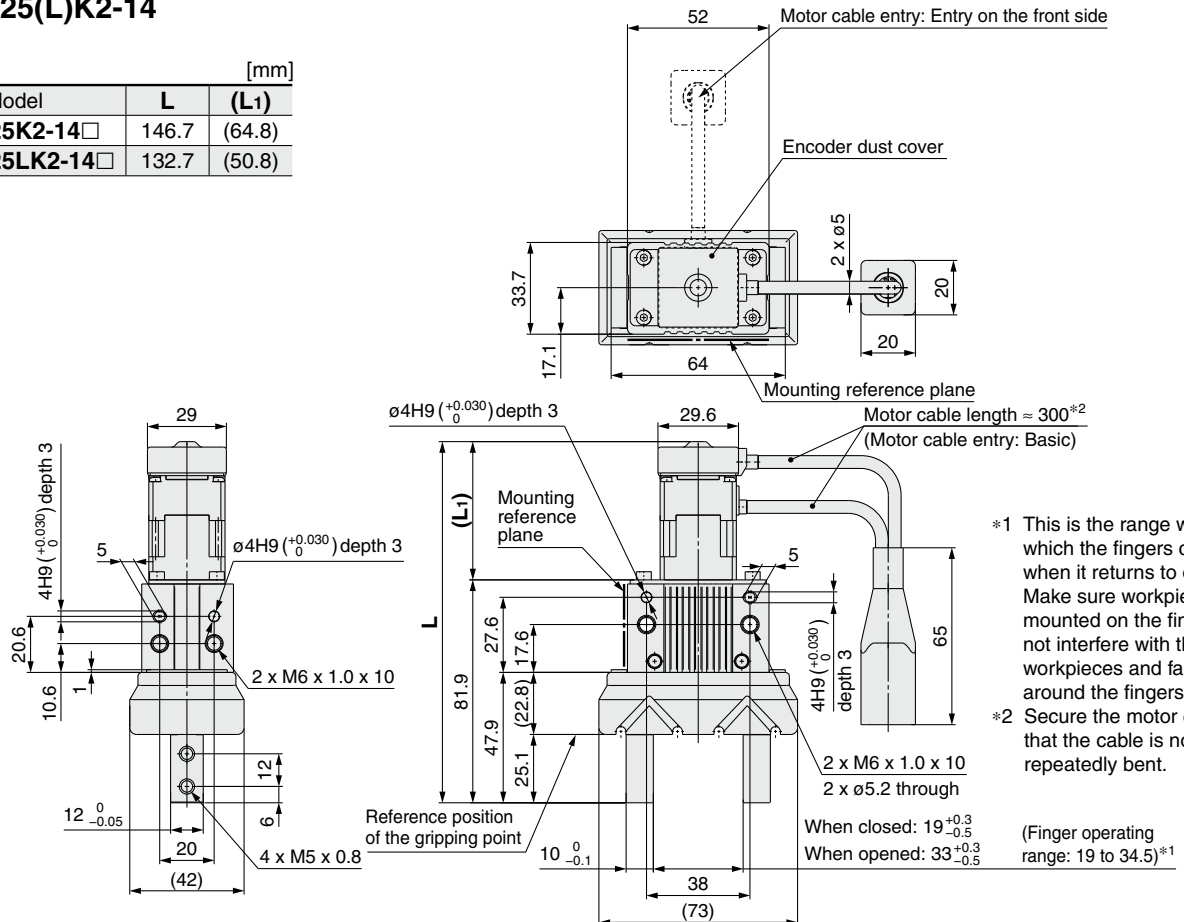
LEHZJ20(L)K2-10

Model	L	(L1)
LEHZJ20K2-10□	135.7	(64.8)
LEHZJ20LK2-10□	121.7	(50.8)



LEHZJ25(L)K2-14

Model	L	(L1)
LEHZJ25K2-14□	146.7	(64.8)
LEHZJ25LK2-14□	132.7	(50.8)



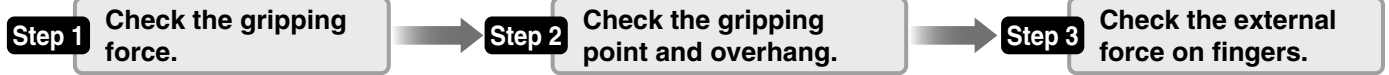
- LAT3
- Motorless
- LECY
- LECS JXC LEC
- LECS T
- 11-LEJS
- 11-LEFS
- LEY-X5
- LEH
- LER
- LEPY
LEPS
- LES
LESH
- LEY
LEYG
- LEM
- LEL
- LEJS
LEJB
- LEFS
LEFB

Model Selection

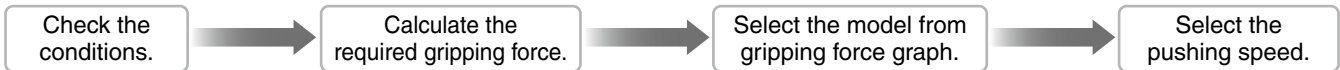


LEHF Series ▶ p. 581

Selection Procedure



Step 1 Check the gripping force.



Example

Workpiece mass: 0.1 kg

Guidelines for the selection of the gripper with respect to workpiece mass

- Although conditions differ according to the workpiece shape and the coefficient of friction between the attachments and the workpiece, select a model that can provide a gripping force of 10 to 20 times*1 the workpiece weight, or more.

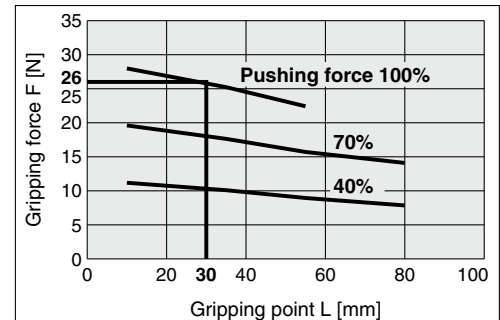
*1 For details, refer to the model selection illustration.

- If high acceleration or impact forces are encountered during motion, a further margin of safety should be considered.

Example) When it is desired to set the gripping force at 20 times or more above the workpiece weight.

Required gripping force
= 0.1 kg x 20 x 9.8 m/s² ≈ 19.6 N or more

LEHF20



When the LEHF20 is selected.

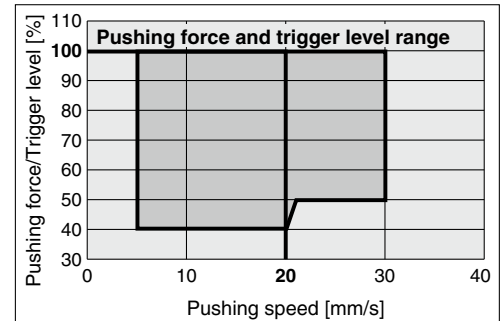
- Gripping force can be found to be 26 N from the intersection point of gripping point distance L = 30 mm and pushing force of 100%.
- Gripping force is 26.5 times greater than the workpiece weight, and therefore satisfies a gripping force setting value of 20 times or more.

Pushing force: 100%

Gripping point distance: 30 mm

Pushing speed: 20 mm/s

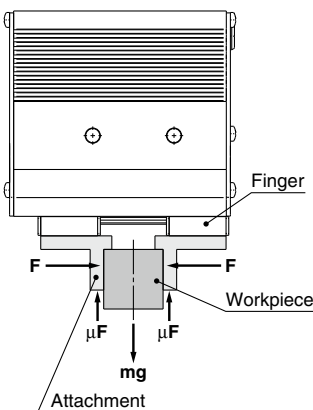
LEHF20



- Pushing speed is satisfied at the point where 100% of the pushing force and 20 mm/s of the pushing speed cross.

* Confirm the pushing speed range from the determined pushing force [%].

Calculation of required gripping force



When gripping a workpiece as in the figure to the left, and with the following definitions,

- F: Gripping force [N]
- μ: Coefficient of friction between the attachments and the workpiece
- m: Workpiece mass [kg]
- g: Gravitational acceleration (= 9.8 m/s²)
- mg: Workpiece weight [N]

the conditions under which the workpiece will not drop are
 $2 \times \mu F > mg$

Number of fingers
and therefore, $F > \frac{mg}{2 \times \mu}$

With "a" representing the margin, "F" is determined by the following formula:

$$F = \frac{mg}{2 \times \mu} \times a$$

"Gripping force at least 10 to 20 times the workpiece weight"

- The "10 to 20 times or more of the workpiece weight" recommended by SMC is calculated with a margin of "a" = 4, which allows for impacts that occur during normal transportation, etc.

When $\mu = 0.2$	When $\mu = 0.1$
$F = \frac{mg}{2 \times 0.2} \times 4 = 10 \times mg$	$F = \frac{mg}{2 \times 0.1} \times 4 = 20 \times mg$
10 x Workpiece weight	20 x Workpiece weight

<Reference> Coefficient of friction μ (depends on the operating environment, contact pressure, etc.)

Coefficient of friction μ	Attachment - Material of workpieces (guideline)
0.1	Metal (surface roughness Rz3.2 or less)
0.2	Metal
0.2 or more	Rubber, Resin, etc.

- Even in cases where the coefficient of friction is greater than $\mu = 0.2$, for reasons of safety, select a gripping force which is at least 10 to 20 times greater than the workpiece weight, as recommended by SMC.
- If high acceleration or impact forces are encountered during motion, a further margin should be considered.

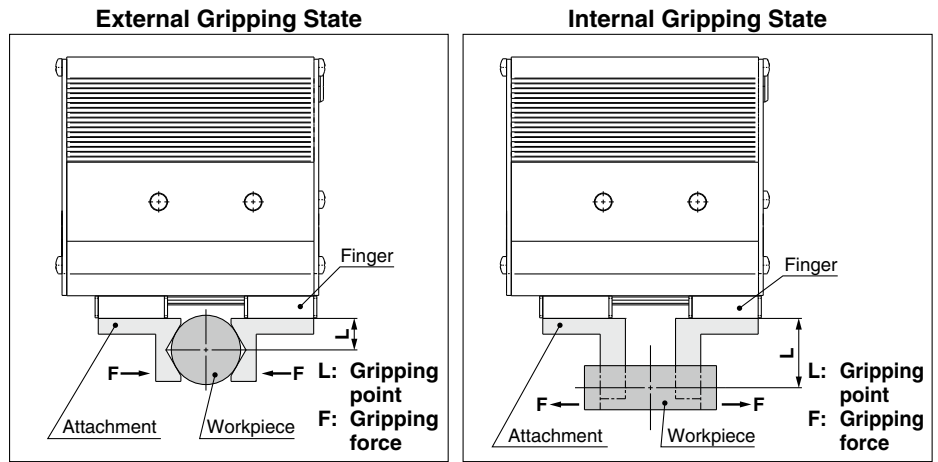
Selection Procedure

Step 1 Check the gripping force: LEHF Series

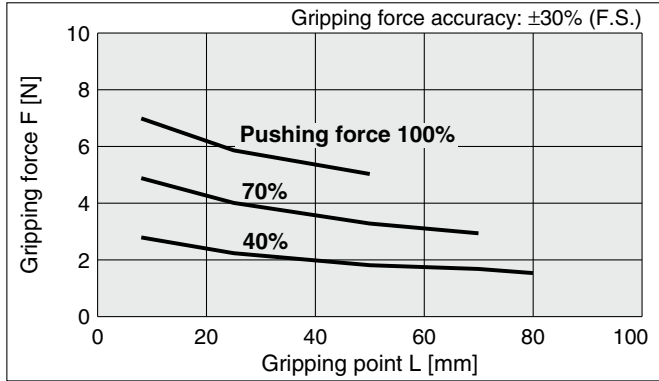
● Indication of gripping force

Gripping force shown in the graphs below is expressed as “F”, which is the gripping force of one finger, when both fingers and attachments are in full contact with the workpiece as shown in the figure below.

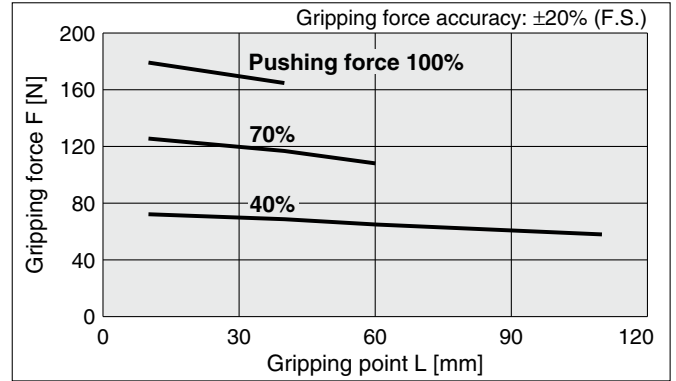
- Set the workpiece gripping point “L” so that it is within the range shown in the figure below.



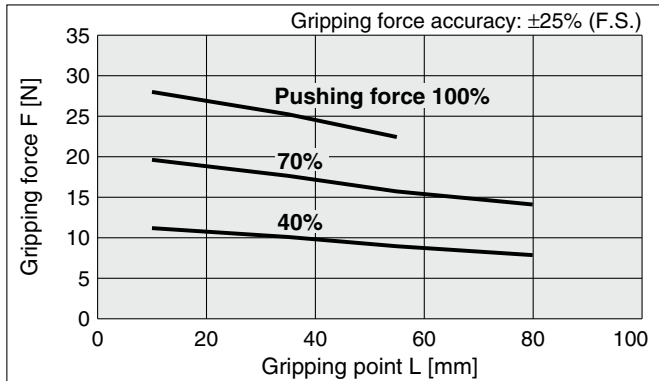
LEHF10



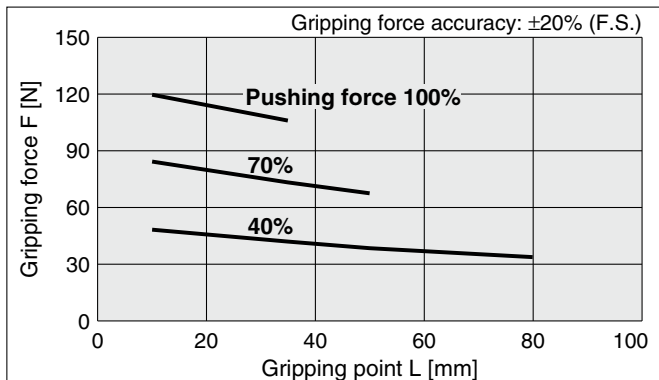
LEHF40



LEHF20

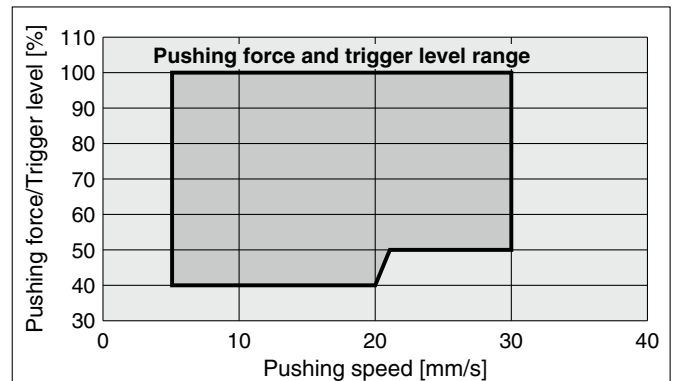


LEHF32



Selection of Pushing Speed

- Set the [Pushing force] and the [Trigger LV] within the range shown in the figure below.



* Pushing force is one of the values of step data that is input into the controller.

- LEFS
- LEFB
- LEJS
- LEJB
- LEL
- LEM
- LEY
- LEYG
- LES
- LESH
- LEPY
- LEPS
- LER
- LEH
- LEY-X5
- 11-LEFS
- 11-LEJS
- 25A-
- LEC
- JXC
- LECS
- LECS-T
- LECY
- Motorless
- LAT3

LEHF Series

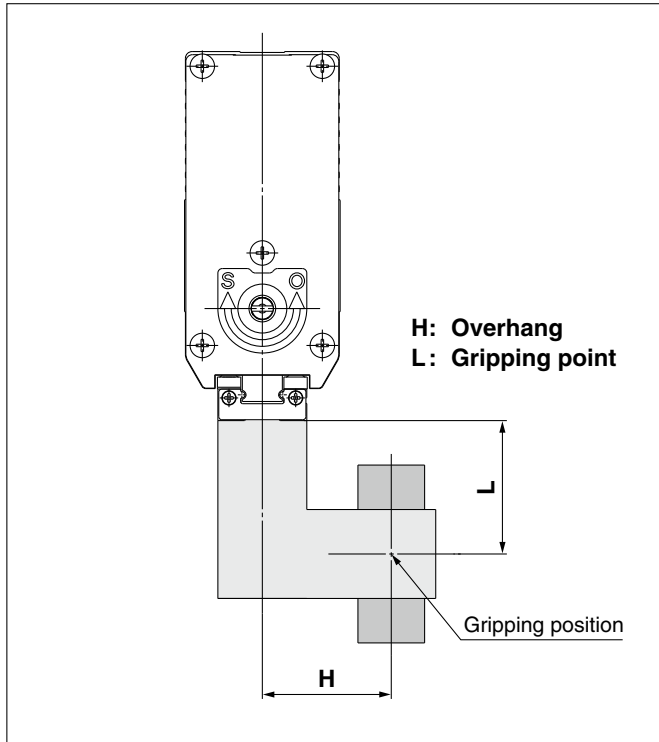
Step Motor (Servo/24 VDC)

Selection Procedure

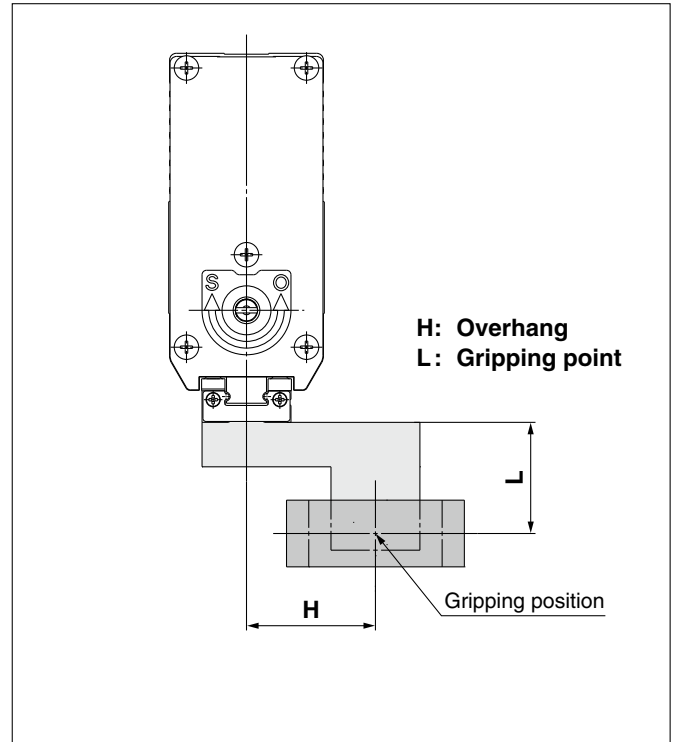
Step 2 Check the gripping point and overhang: LEHF Series

- Decide the gripping position of the workpiece so that the amount of overhang "H" stays within the range shown in the figure below.
- If the gripping position is out of the limit, it may shorten the life of the electric gripper.

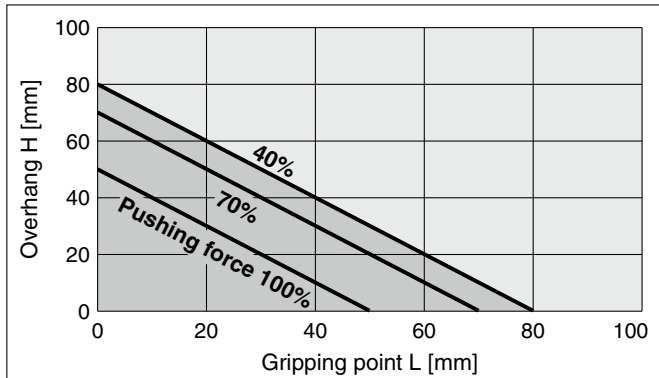
External Gripping State



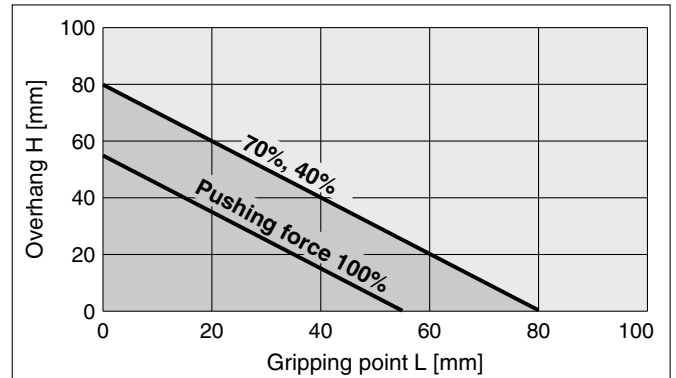
Internal Gripping State



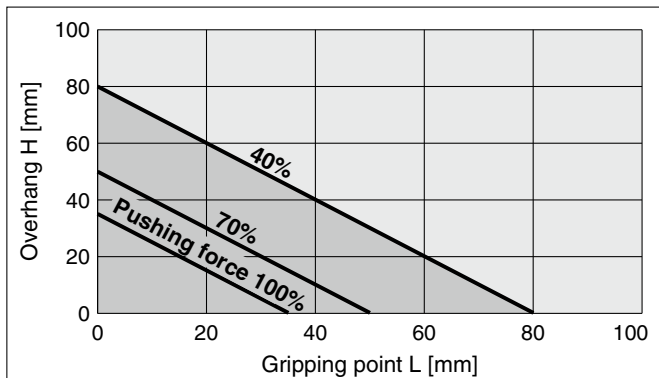
LEHF10



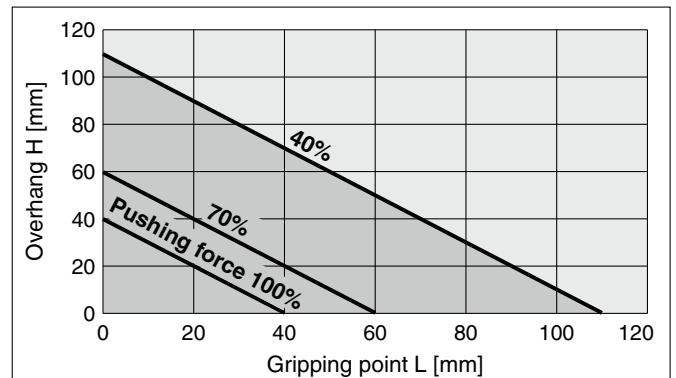
LEHF20



LEHF32



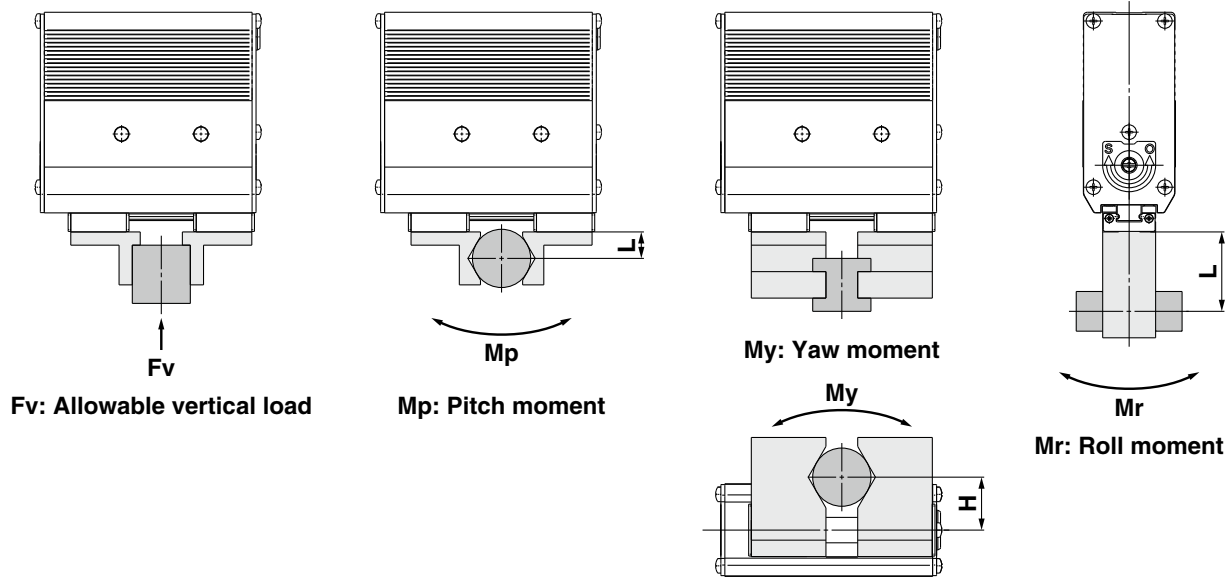
LEHF40



* Pushing force is one of the values of step data that is input into the controller.

Selection Procedure

Step 3 Check the external force on fingers: LEHF Series



H, L: Distance to the point at which the load is applied [mm]

Model	Allowable vertical load Fv [N]	Static allowable moment		
		Pitch moment: Mp [N·m]	Yaw moment: My [N·m]	Roll moment: Mr [N·m]
LEHF10K2-□	58	0.26	0.26	0.53
LEHF20K2-□	98	0.68	0.68	1.4
LEHF32K2-□	176	1.4	1.4	2.8
LEHF40K2-□	294	2	2	4

* Values for load in the table indicate static values.

Calculation of allowable external force (when moment load is applied)	Calculation example
$\text{Allowable load } F \text{ [N]} = \frac{M \text{ (Static allowable moment) [N·m]}}{L \times 10^{-3} \text{ *1}}$ <p>(*1 Constant for unit conversion)</p>	<p>When a static load of $f = 10 \text{ N}$ is operating, which applies pitch moment to point $L = 30 \text{ mm}$ from the LEHF20K2-□ guide. Therefore, it can be used.</p> $\text{Allowable load } F = \frac{0.68}{30 \times 10^{-3}}$ $= 22.7 \text{ [N]}$ <p>Load $f = 10 \text{ [N]} < 22.7 \text{ [N]}$</p>

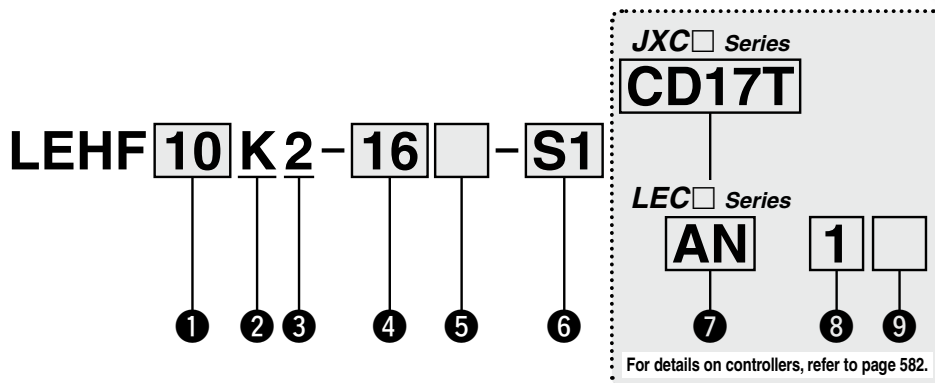
- LEFS
- LEFB
- LEJS
- LEJB
- LEL
- LEM
- LEY
- LEYG
- LES
- LESH
- LEPY
- LEPS
- LER
- LEH
- LEY-X5
- 11-LEFS
- 11-LEJS
- 25A-
- LEC
- JXC
- LECS
- LECS-T
- LECY
- Motorless
- LAT3

Electric Gripper 2-Finger Type

LEHF Series LEHF10, 20, 32, 40



How to Order



1 Size

10
20
32
40

2 Lead

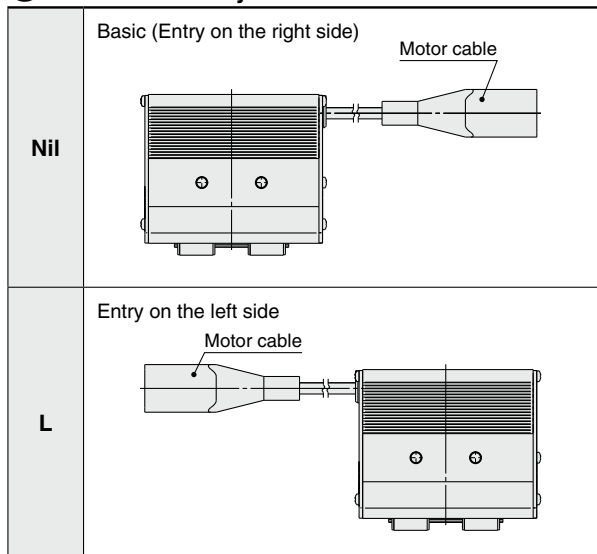
K	Basic
----------	-------

3 2-finger type

4 Stroke [mm]

Stroke/both sides		Size
Basic	Long stroke	
16	32	10
24	48	20
32	64	32
40	80	40

5 Motor cable entry



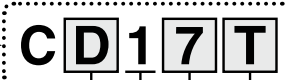
6 Actuator cable type/length*2

Standard cable [m]		Robotic cable [m]	
Nil	None	R1	1.5
S1	1.5	RA	10*1
S3	3	R3	3
S5	5	RB	15*1
		R5	5
		RC	20*1
		R8	8*1

JXC Series (For details, refer to page 583.)

7 Controller

Nil	Without controller
C□1□□	With controller



(Communication protocol/Input/Output)

E	EtherCAT®	L	IO-Link
9	EtherNet/IP™	M	CC-Link Ver 1.10
P	PROFINET	5	Parallel input (NPN)
D	DeviceNet™	6	Parallel input (PNP)

Mounting

7	Screw mounting
8*7	DIN rail

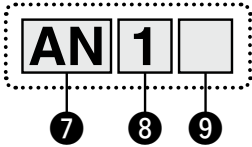
• For single axis



Communication plug connector I/O cable*8

Symbol	Type	Applicable interface
Nil	Without accessory	—
S	Straight type communication plug connector	DeviceNet™
T	T-branch type communication plug connector	CC-Link Ver 1.10
1	I/O cable (1.5 m)	Parallel input (NPN) Parallel input (PNP)
3	I/O cable (3 m)	
5	I/O cable (5 m)	

LEC Series (For details, refer to page 583.)



7 Controller/Driver type*3

Nil	Without controller/driver	
1N	LECP1	NPN
1P	(Programless type)	PNP
AN	LECPA*4	NPN
AP	(Pulse input type)	PNP

8 I/O cable length*5

Nil	Without cable (Without communication plug connector)
1	1.5 m
3	3 m*6
5	5 m*6

9 Controller/Driver mounting

Nil	Screw mounting
D	DIN rail*7



- *1 Produced upon receipt of order (Robotic cable only)
- *2 The standard cable should only be used on fixed parts.
For use on moving parts, select the robotic cable.
Refer to page 758 if only the actuator cable is required.
- *3 For details on controllers/drivers and compatible motors, refer to the compatible controllers/drivers on the next page.
- *4 When pulse signals are open collector, order the current limiting resistor (LEC-PA-R-□) on page 736 separately.
- *5 When "Without controller/driver" is selected for controller/driver types, I/O cable cannot be selected. Refer to page 724 (For LECP1), or page 736 (For LECPA) if I/O cable is required.

- *6 When "Pulse input type" is selected for controller/driver types, pulse input usable only with differential. Only 1.5 m cables usable with open collector
- *7 The DIN rail is not included. It must be ordered separately.
- *8 Select "Nil" for anything other than DeviceNet™, CC-Link, or parallel input.
Select "Nil," "S," or "T" for DeviceNet™ or CC-Link.
Select "Nil," "1," "3," or "5" for parallel input.

⚠ Caution

[CE-compliant products]

① EMC compliance was tested by combining the electric actuator LEH series and the controller LEC/JXC series.

The EMC depends on the configuration of the customer's control panel and the relationship with other electrical equipment and wiring. Therefore, compliance with the EMC directive cannot be certified for SMC components incorporated into the customer's equipment under actual operating conditions. As a result, it is necessary for the customer to verify compliance with the EMC directive for the machinery and equipment as a whole.

[UL-compliant products (For the LEC series)]

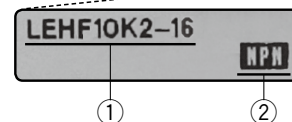
When compliance with UL is required, the electric actuator and controller/driver should be used with a UL1310 Class 2 power supply.

The actuator and controller/driver are sold as a package.

Confirm that the combination of the controller/driver and the actuator is correct.

<Check the following before use.>

- ① Check the actuator label for the model number. This number should match that of the controller/driver.
- ② Check that the Parallel I/O configuration matches (NPN or PNP).









* Refer to the Operation Manual for using the products. Please download it via our website: <https://www.smcworld.com>




- LEFS
- LEFB
- LEJS
- LEJB
- LEL
- LEM
- LEYG
- LEYS
- LESH
- LEPS
- LER
- LEH
- LEY-X5
- 11-LEFS
- 11-LEJS
- 25A-
- LEC□
- JXC□
- LECS□
- LECS□-T
- LECY□
- Motorless
- LAT3

LEHF Series

Step Motor (Servo/24 VDC)

Compatible Controllers/Drivers

Type	EtherCAT® direct input type	EtherNet/IP™ direct input type	PROFINET direct input type	DeviceNet™ direct input type	IO-Link direct input type	CC-Link direct input type
						
Series	JXCE1	JXC91	JXCP1	JXCD1	JXCL1	JXCM1
Features	EtherCAT® direct input	EtherNet/IP™ direct input	PROFINET direct input	DeviceNet™ direct input	IO-Link direct input	CC-Link direct input
Compatible motor	Step motor (Servo/24 VDC)					
Max. number of step data	64 points					
Power supply voltage	24 VDC					
Reference page	741					

Type	Step data input type	Programless type	Pulse input type
			
Series	JXC51 JXC61	LECP1	LECPA
Features	Parallel I/O	Capable of setting up operation (step data) without using a PC or teaching box	Operation by pulse signals
Compatible motor	Step motor (Servo/24 VDC)		
Max. number of step data	64 points	14 points	—
Power supply voltage	24 VDC		
Reference page	706-1	719	731

Specifications

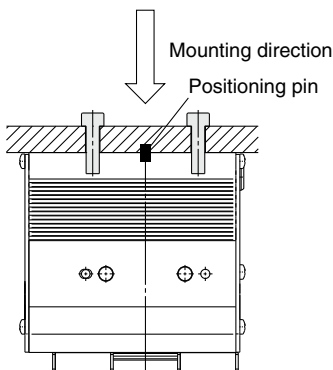


Model		LEHF10	LEHF20	LEHF32	LEHF40
Open and close stroke/both sides [mm]	Basic	16	24	32	40
	Long stroke	32	48	64	80
Lead [mm]		40/15 (2.667)	50/15 (3.333)	70/16 (4.375)	70/16 (4.375)
Gripping force [N]*1 *3		3 to 7	11 to 28	48 to 120	72 to 180
Open and close speed/Pushing speed [mm/s]*2 *3		5 to 80/5 to 20 5 to 100/5 to 30			
Drive method		Slide screw + Belt			
Finger guide type		Linear guide (No circulation)			
Repeated length measurement accuracy [mm]*4		±0.05			
Finger backlash/one side [mm]*5		0.5 or less			
Repeatability [mm]*6		±0.05			
Positioning repeatability/one side [mm]		±0.1			
Lost motion/one side [mm]*7		0.3 or less			
Impact/Vibration resistance [m/s ²]*8		150/30			
Max. operating frequency [C.P.M]		60			
Operating temperature range [°C]		5 to 40			
Operating humidity range [%RH]		90 or less (No condensation)			
Weight [g]	Basic	340	610	1625	1980
	Long stroke	370	750	1970	2500
Motor size		□20	□28	□42	
Motor type		Step motor (Servo/24 VDC)			
Encoder		Incremental A/B phase (800 pulse/rotation)			
Rated voltage [V]		24 VDC ±10%			
Power consumption/Standby power consumption when operating [W]*9		11/7	28/15	34/13	36/13
Max. instantaneous power consumption [W]*10		19	51	57	61

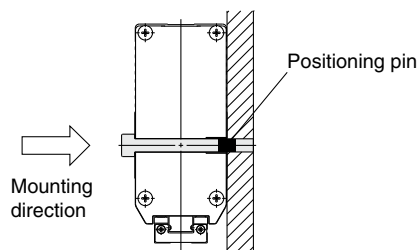
- *1 Gripping force should be from 10 to 20 times the workpiece weight. Moving force should be 150% when releasing the workpiece. Gripping force accuracy should be ±30% (F.S.) for LEHF10, ±25% (F.S.) for LEHF20 and ±20% (F.S.) for LEHF32/40. Gripping with heavy attachment and fast pushing speed, may not reach the product specification. In this case, decrease the weight and lower the pushing speed.
- *2 Pushing speed should be set within the range during pushing (gripping) operations. Otherwise, it may cause a malfunction. The open/close speed and pushing speed are for both fingers. The speed for one finger is half this value.
- *3 The speed and force may change depending on the cable length, load and mounting conditions. Furthermore, if the cable length exceeds 5 m, then it will decrease by up to 10% for each 5 m. (At 15 m: Reduced by up to 20%)
- *4 Repeated length measurement accuracy means dispersion (value on the controller monitor) when the workpiece is repeatedly held in the same position.
- *5 There will be no influence of backlash during pushing (gripping) operations. Make the stroke longer for the amount of backlash when opening.
- *6 Repeatability means the variation of the gripping position (workpiece position) when gripping operations are repeatedly performed by the same sequence for the same workpiece.
- *7 A reference value for correcting an error in reciprocal operation which occurs during positioning operations
- *8 Impact resistance: No malfunction occurred when the gripper was tested with a drop tester in both an axial direction and a perpendicular direction to the lead screw. (The test was performed with the gripper in the initial state.)
Vibration resistance: No malfunction occurred in a test ranging between 45 to 2000 Hz. The test was performed in both an axial direction and a perpendicular direction to the lead screw. (The test was performed with the gripper in the initial state.)
- *9 The power consumption (including the controller) is for when the gripper is operating.
The standby power consumption when operating is for when the gripper is stopped in the set position during operation, including the energy saving mode when gripping.
- *10 The maximum instantaneous power consumption (including the controller) is for when the gripper is operating. This value can be used for the selection of the power supply.

How to Mount

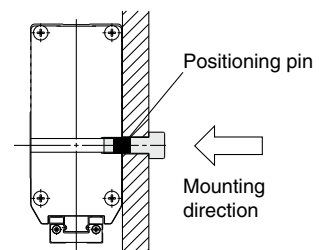
a) When using the thread on the body



b) When using the thread on the mounting plate



c) When using the thread on the back of the body

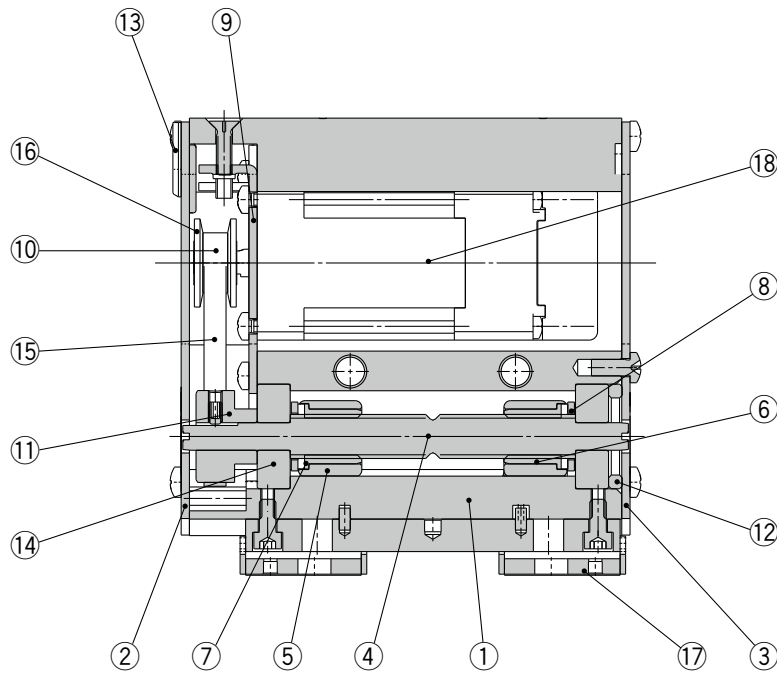


LEHF Series

Step Motor (Servo/24 VDC)

Construction

LEHF Series

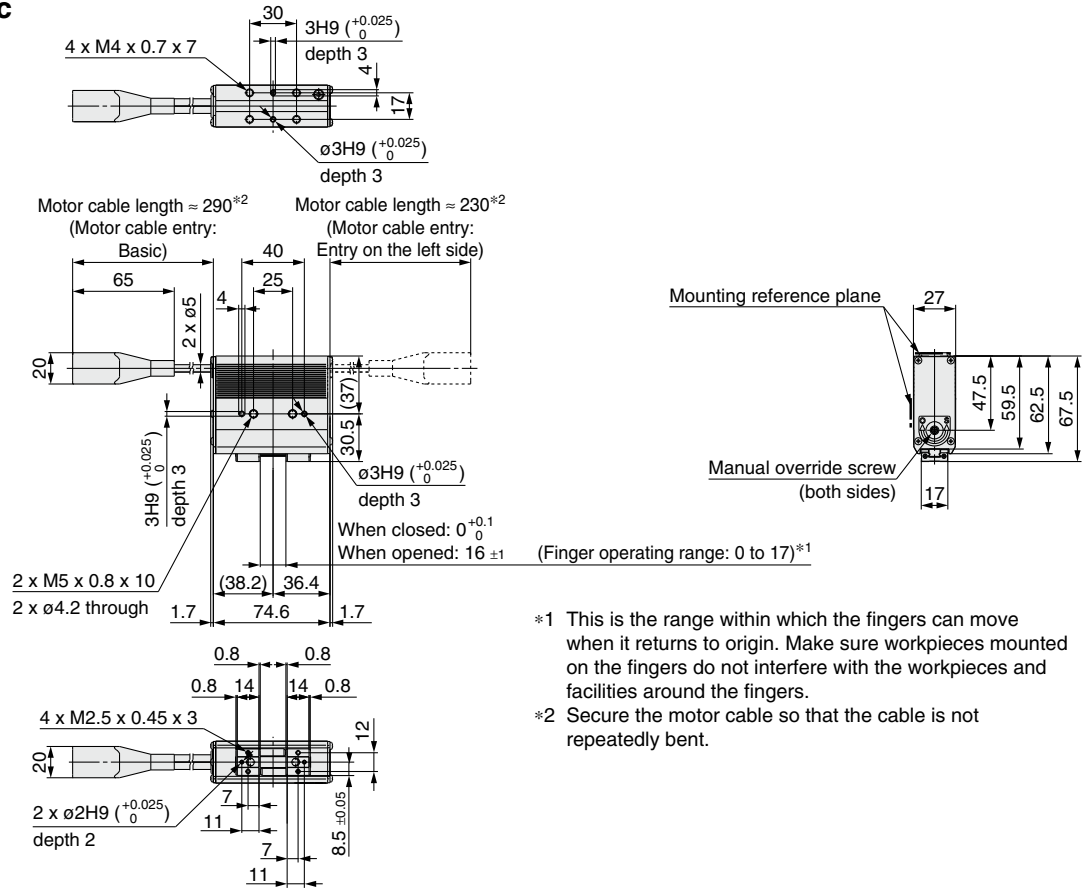


Component Parts

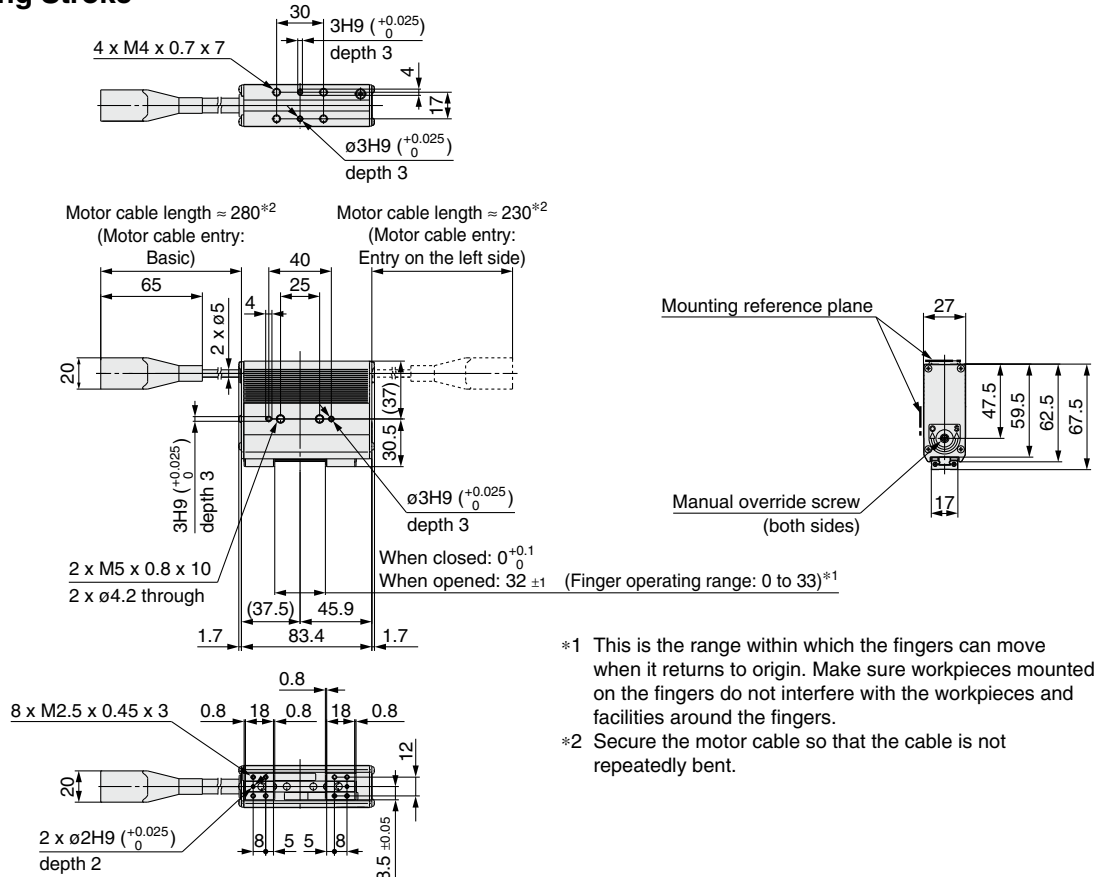
No.	Description	Material	Note
1	Body	Aluminum alloy	Anodized
2	Side plate A	Aluminum alloy	Anodized
3	Side plate B	Aluminum alloy	Anodized
4	Slide shaft	Stainless steel	Heat treatment + Special treatment
5	Slide bushing	Stainless steel	
6	Slide nut	Stainless steel	Heat treatment + Special treatment
7	Slide nut	Stainless steel	Heat treatment + Special treatment
8	Fixed plate	Stainless steel	
9	Motor plate	Carbon steel	
10	Pulley A	Aluminum alloy	
11	Pulley B	Aluminum alloy	
12	Bearing stopper	Aluminum alloy	
13	Rubber bushing	NBR	
14	Bearing	—	
15	Belt	—	
16	Flange	—	
17	Finger assembly	—	
18	Step motor (Servo/24 VDC)	—	

Dimensions

LEHF10K2-16: Basic



LEHF10K2-32: Long Stroke



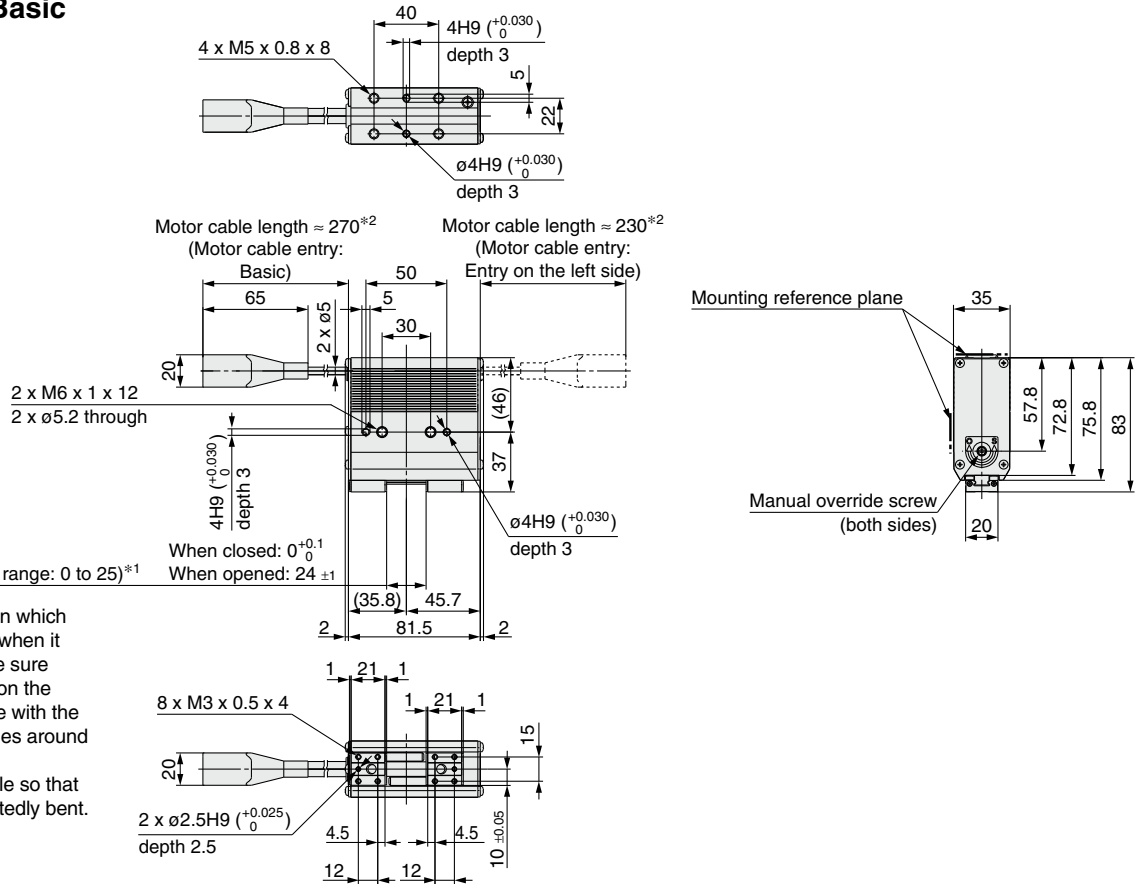
- LEFS
- LEFB
- LEJS
- LEJB
- LEL
- LEM
- LEY
- LEYG
- LES
- LESH
- LEPY
- LEPS
- LER
- LEH
- LEY-X5
- 11-LEFS
- 11-LEJS
- 25A-
- LEC
- JXC
- LECS
- LECS-T
- LECY
- Motorless
- LAT3

LEHF Series

Step Motor (Servo/24 VDC)

Dimensions

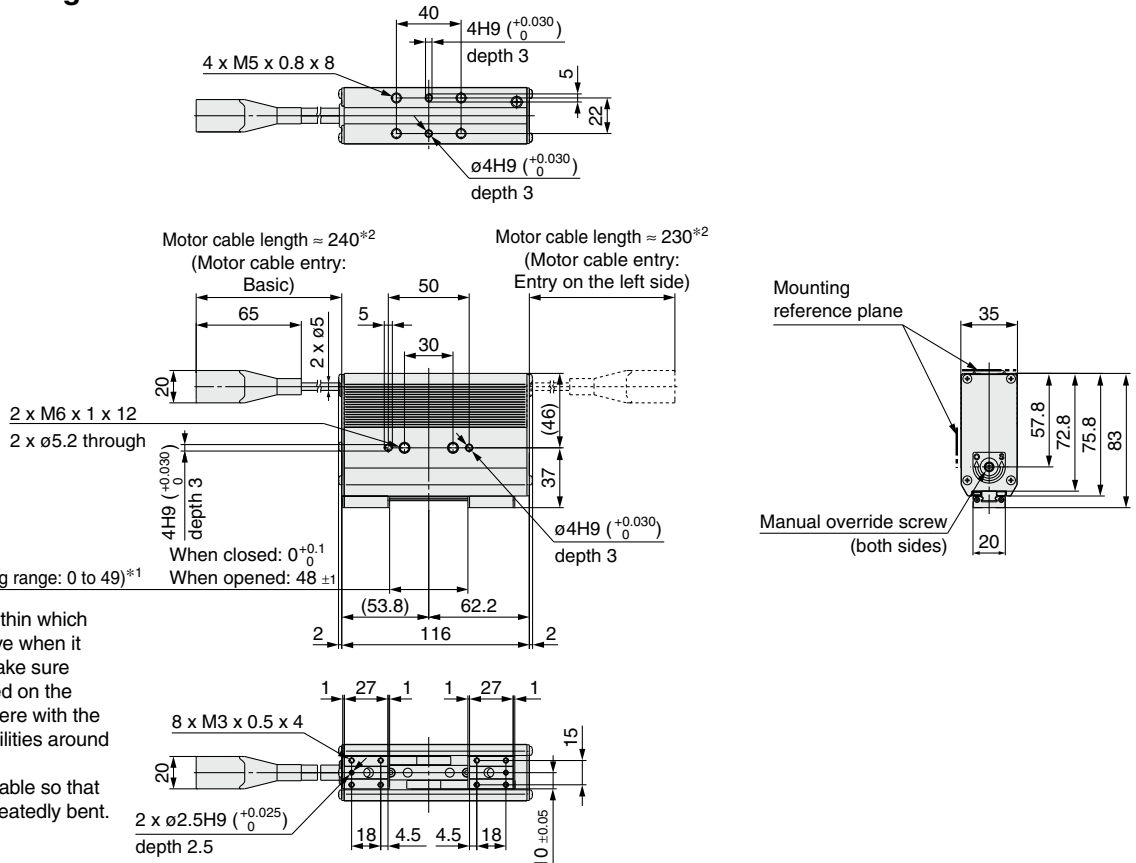
LEHF20K2-24: Basic



*1 This is the range within which the fingers can move when it returns to origin. Make sure workpieces mounted on the fingers do not interfere with the workpieces and facilities around the fingers.

*2 Secure the motor cable so that the cable is not repeatedly bent.

LEHF20K2-48: Long Stroke

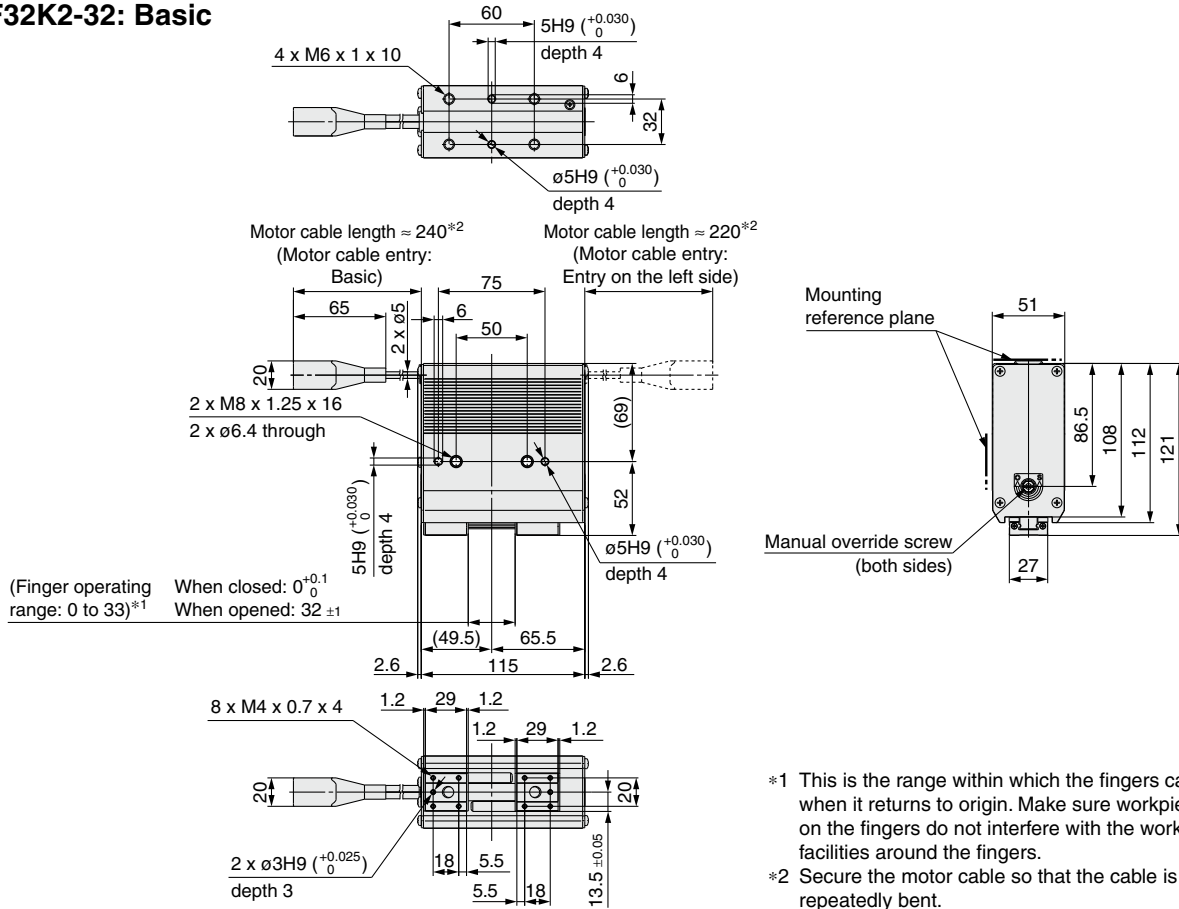


*1 This is the range within which the fingers can move when it returns to origin. Make sure workpieces mounted on the fingers do not interfere with the workpieces and facilities around the fingers.

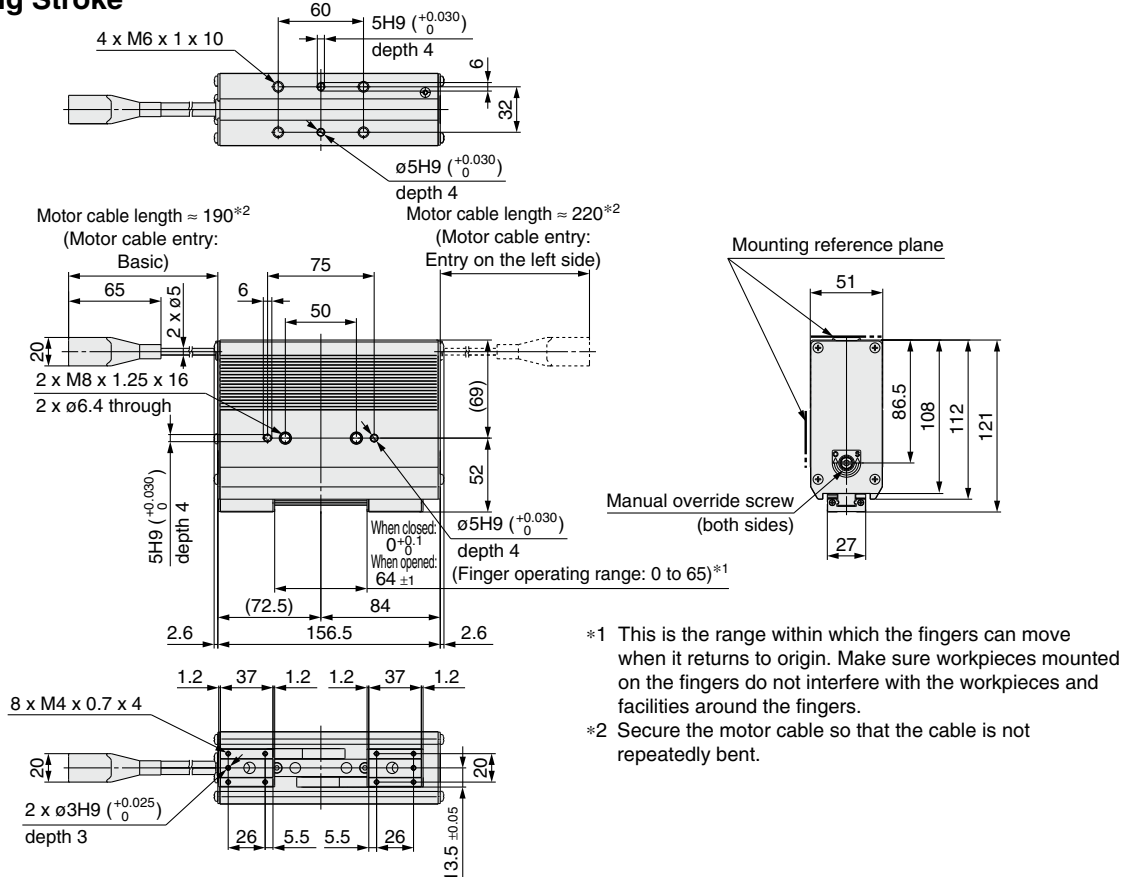
*2 Secure the motor cable so that the cable is not repeatedly bent.

Dimensions

LEHF32K2-32: Basic



LEHF32K2-64: Long Stroke

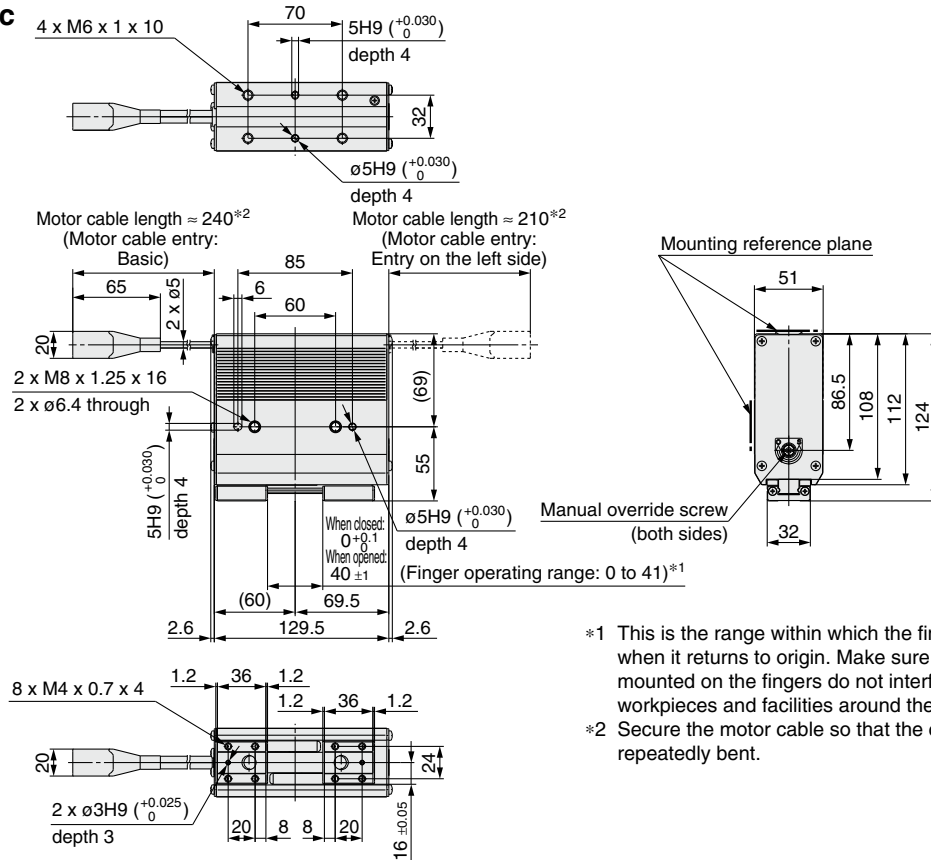


LEHF Series

Step Motor (Servo/24 VDC)

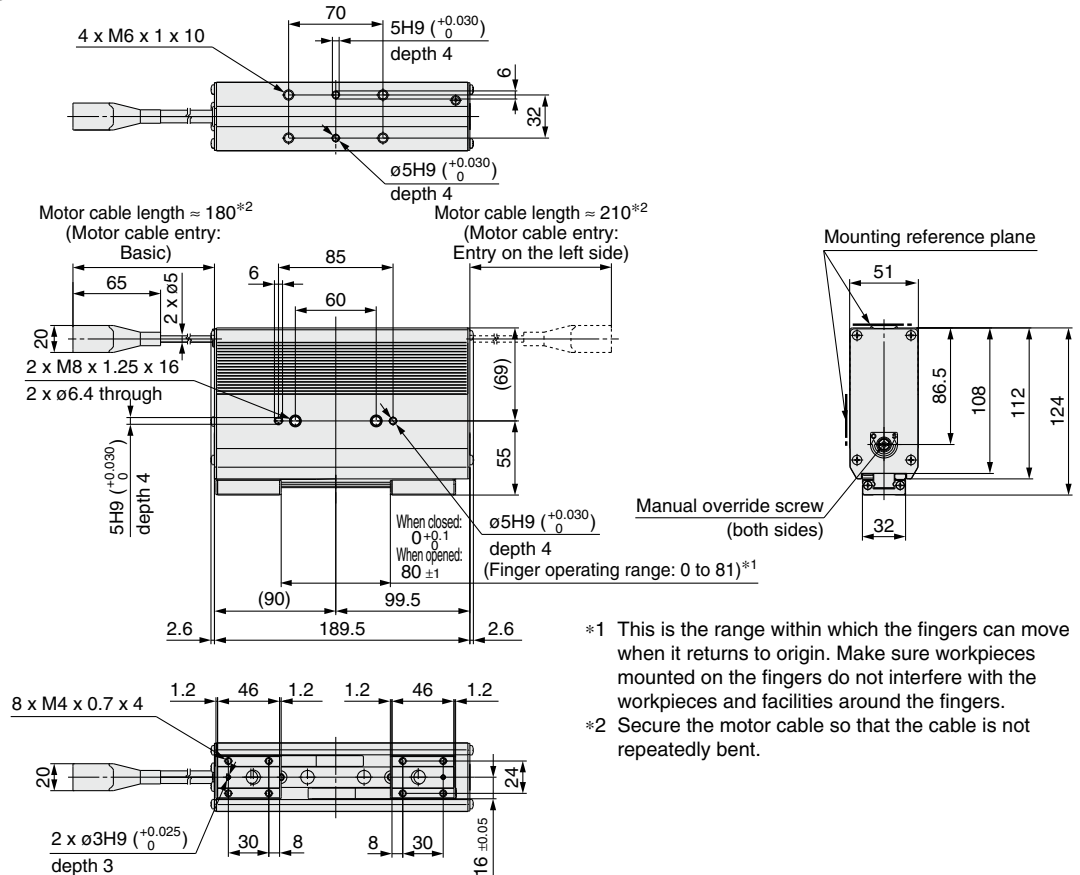
Dimensions

LEHF40K2-40: Basic



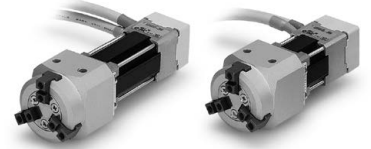
- *1 This is the range within which the fingers can move when it returns to origin. Make sure workpieces mounted on the fingers do not interfere with the workpieces and facilities around the fingers.
- *2 Secure the motor cable so that the cable is not repeatedly bent.

LEHF40K2-80: Long Stroke



- *1 This is the range within which the fingers can move when it returns to origin. Make sure workpieces mounted on the fingers do not interfere with the workpieces and facilities around the fingers.
- *2 Secure the motor cable so that the cable is not repeatedly bent.

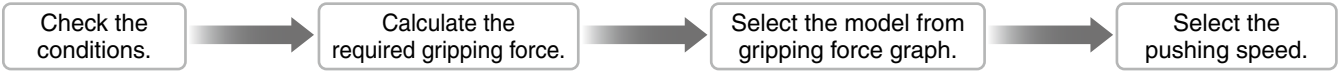
Model Selection



LEHS Series ▶ p. 593

Selection Procedure

Step Check the gripping force.



Example

Workpiece mass: 0.1 kg

Guidelines for the selection of the gripper with respect to workpiece mass

- Although conditions differ according to the workpiece shape and the coefficient of friction between the attachments and the workpiece, select a model that can provide a gripping force of 7 to 13 times*1 the workpiece weight, or more.

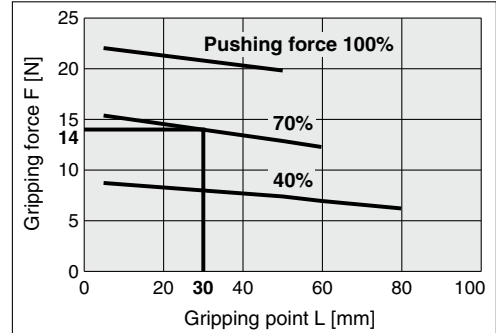
*1 For details, refer to the calculation of required gripping force.

- If high acceleration or impact forces are encountered during motion, a further margin of safety should be considered.

Example) When it is desired to set the gripping force at 13 times or more above the workpiece weight.

Required gripping force
= 0.1 kg x 13 x 9.8 m/s² ≈ 12.7 N or more

LEHS20



When the LEHS20 is selected.

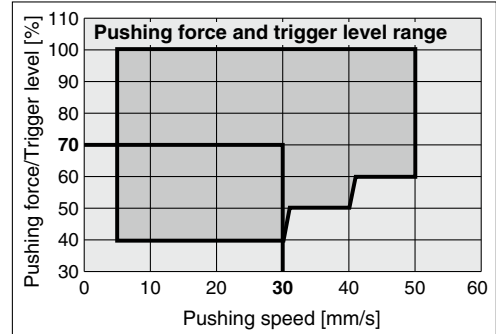
- Gripping force can be found to be 14 N from the intersection point of gripping point distance L = 30 mm and pushing force of 70%.
- Gripping force is 14 times greater than the workpiece weight, and therefore satisfies a gripping force setting value of 13 times or more.

Pushing force: 70%

Gripping point distance: 30 mm

Pushing speed: 30 mm/s

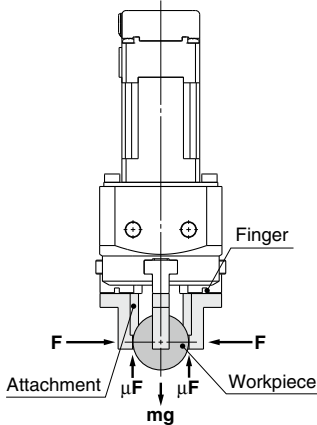
LEHS20



- Pushing speed is satisfied at the point where 70% of the pushing force and 30 mm/s of the pushing speed cross.

* Confirm the pushing speed range from the determined pushing force [%].

Calculation of required gripping force



When gripping a workpiece as in the figure to the left, and with the following definitions,

- F: Gripping force [N]
- μ: Coefficient of friction between the attachments and the workpiece
- m: Workpiece mass [kg]
- g: Gravitational acceleration (= 9.8 m/s²)
- mg: Workpiece weight [N]

the conditions under which the workpiece will not drop are

$$3 \times \mu F > mg$$

↑
Number of fingers

and therefore, $F > \frac{mg}{3 \times \mu}$

With "a" representing the margin, "F" is determined by the following formula:

$$F = \frac{mg}{3 \times \mu} \times a$$

"Gripping force at least 7 to 13 times the workpiece weight"

- The "7 to 13 times or more of the workpiece weight" recommended by SMC is calculated with a margin of "a" = 4, which allows for impacts that occur during normal transportation, etc.

When μ = 0.2	When μ = 0.1
$F = \frac{mg}{3 \times 0.2} \times 4 = 6.7 \times mg$	$F = \frac{mg}{3 \times 0.1} \times 4 = 13.3 \times mg$

7 x Workpiece weight

13 x Workpiece weight

<Reference> Coefficient of friction μ (depends on the operating environment, contact pressure, etc.)

Coefficient of friction μ	Attachment - Material of workpieces (guideline)
0.1	Metal (surface roughness Rz3.2 or less)
0.2	Metal
0.2 or more	Rubber, Resin, etc.

- Even in cases where the coefficient of friction is greater than μ = 0.2, for reasons of safety, select a gripping force which is at least 7 to 13 times greater than the workpiece weight, as recommended by SMC.
- If high acceleration or impact forces are encountered during motion, a further margin should be considered.

LEFS
LEFB
LEJS
LEJB
LEL
LEM
LEY
LEYG
LES
LESH
LEPY
LEPS
LER
LEH
LEH-X5
LEY-X5
11-LEFS
11-LEJS
25A-
LEC
JXC
LECS
LECS-T
LECY
Motorless
LAT3

Selection Procedure

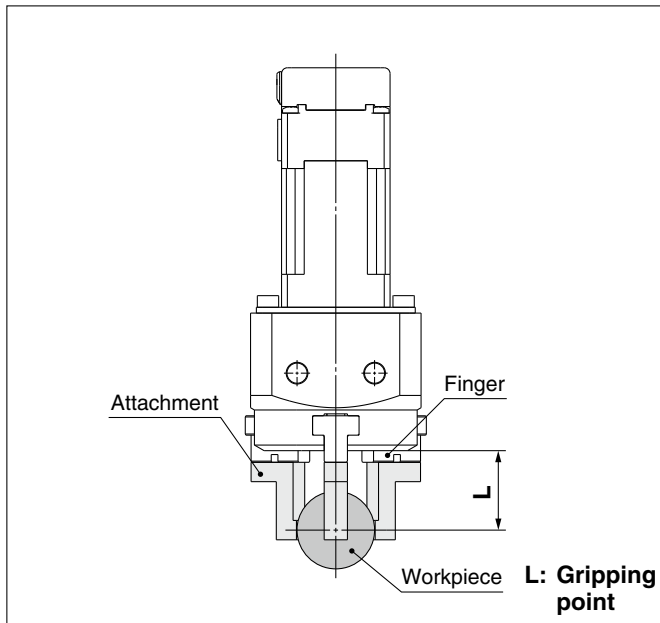
Step Check the gripping force: LEHS Series

● Indication of gripping force

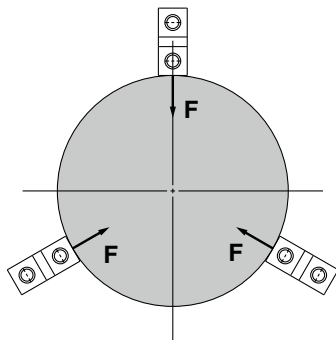
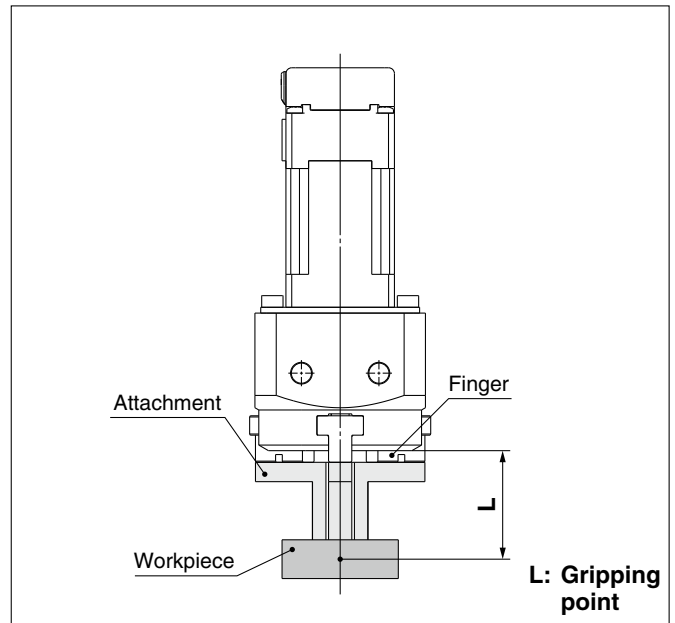
The gripping force shown in the graphs on page 592 is expressed as “F”, which is the gripping force of one finger, when three fingers and attachments are in full contact with the workpiece as shown in the figure below.

- Set the workpiece gripping point “L” so that it is within the range shown in the figure below.

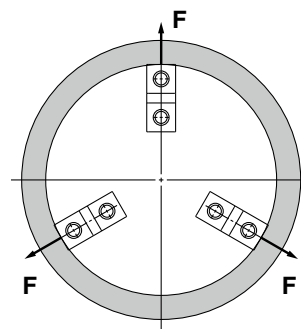
External Gripping State



Internal Gripping State



F: Gripping force



F: Gripping force

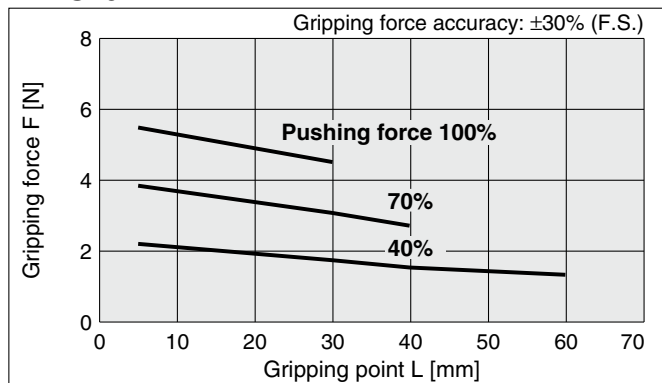
Selection Procedure

Step Check the gripping force: LEHS Series

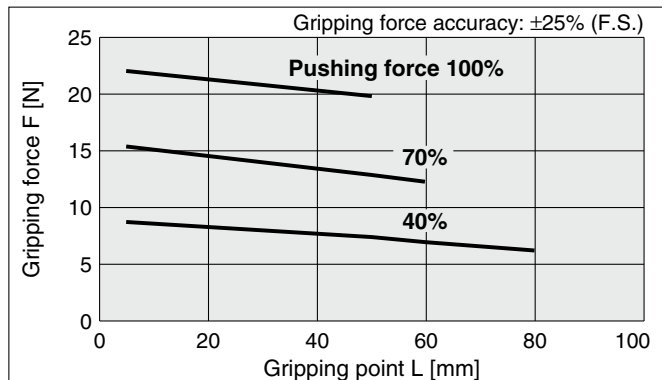
* Pushing force is one of the values of step data that is input into the controller.

Basic

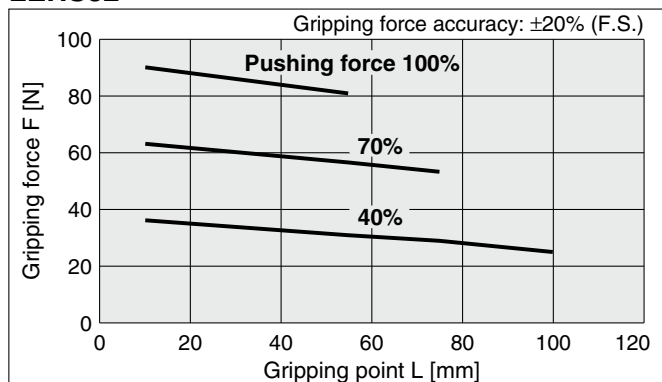
LEHS10



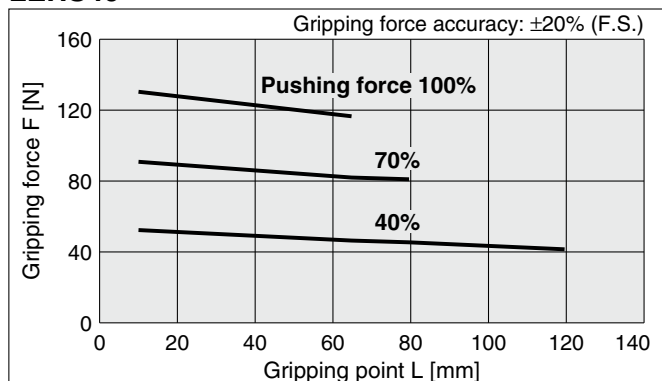
LEHS20



LEHS32



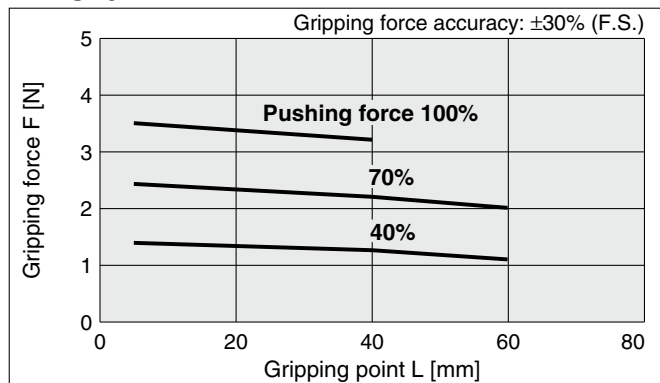
LEHS40



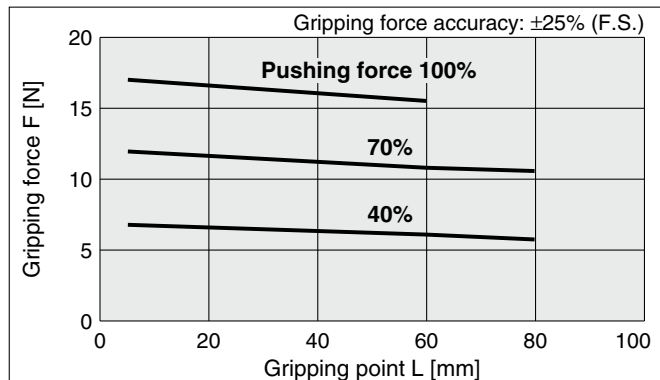
Compact

* Pushing force is one of the values of step data that is input into the controller.

LEHS10L



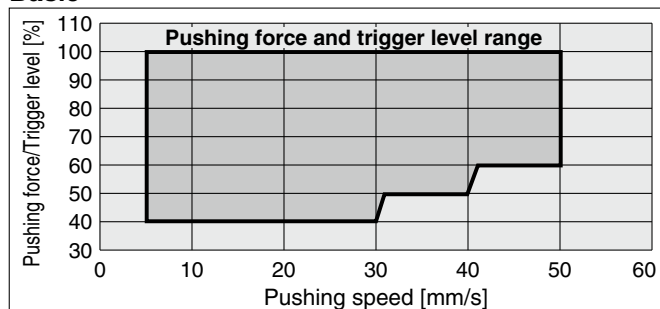
LEHS20L



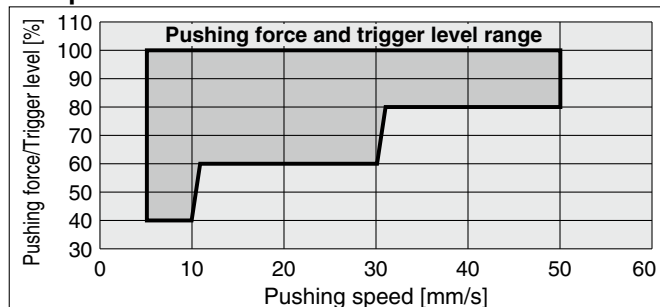
Selection of Pushing Speed

● Set the [Pushing force] and the [Trigger LV] within the range shown in the figure below.

Basic



Compact



LEFS
LEFB

LEJS
LEJB

LEL

LEM

LEY
LEYG

LES
LESH

LEPY
LEPS

LER

LEH

LEY-X5

11-LEFS

11-LEJS

25A-

LEC

JXC

LECS
LECS-T

LECY

Motorless

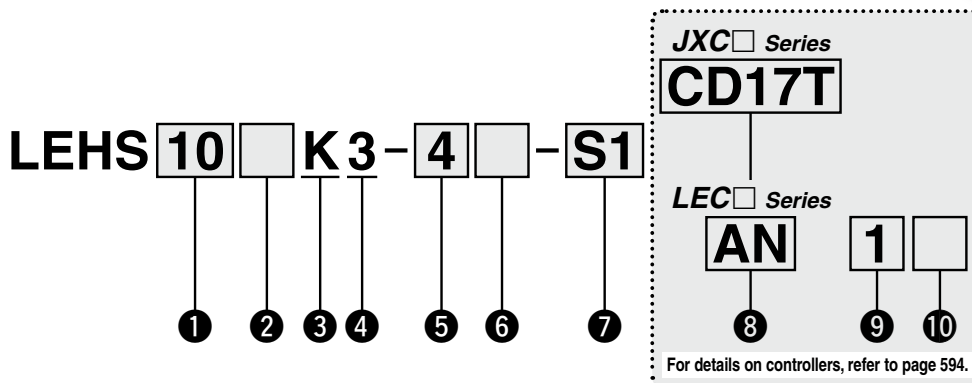
LAT3

Electric Gripper 3-Finger Type

LEHS Series LEHS10, 20, 32, 40



How to Order



1 Size

10
20
32
40

2 Motor size

Nil	Basic
L*1	Compact

3 Lead

K	Basic
---	-------

4 3-finger type

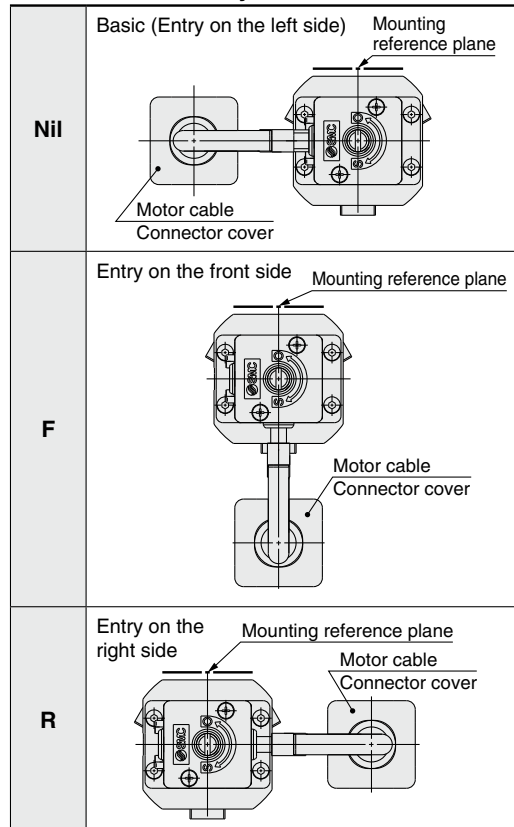
5 Stroke [mm]

Stroke/diameter	Size
4	10
6	20
8	32
12	40

7 Actuator cable type/length*3

Standard cable [m]		Robotic cable [m]			
Nil	None	R1	1.5	RA	10*2
S1	1.5	R3	3	RB	15*2
S3	3	R5	5	RC	20*2
S5	5	R8	8*2		

6 Motor cable entry



JXC Series (For details, refer to page 595.)

8 Controller

Nil	Without controller
C□1□□	With controller

CD17T

Interface

(Communication protocol/Input/Output)

E	EtherCAT®	L	IO-Link
9	EtherNet/IP™	M	CC-Link Ver 1.10
P	PROFINET	5	Parallel input (NPN)
D	DeviceNet™	6	Parallel input (PNP)

Mounting

7	Screw mounting
8*8	DIN rail

• For single axis



Communication plug connector I/O cable*9

Symbol	Type	Applicable interface
Nil	Without accessory	—
S	Straight type communication plug connector	DeviceNet™
T	T-branch type communication plug connector	CC-Link Ver 1.10
1	I/O cable (1.5 m)	Parallel input (NPN) Parallel input (PNP)
3	I/O cable (3 m)	
5	I/O cable (5 m)	

LEC Series (For details, refer to page 595.)

AN 1

8 9 10

8 Controller/Driver type*4

Nil	Without controller/driver	
1N	LECP1	NPN
1P	(Programless type)	PNP
AN	LECPA*5	NPN
AP	(Pulse input type)	PNP

9 I/O cable length*6

Nil	Without cable (Without communication plug connector)
1	1.5 m
3	3 m*7
5	5 m*7

10 Controller/Driver mounting

Nil	Screw mounting
D	DIN rail*8



- *1 Size: 10, 20 only
- *2 Produced upon receipt of order (Robotic cable only)
- *3 The standard cable should only be used on fixed parts.
For use on moving parts, select the robotic cable.
Refer to page 758 if only the actuator cable is required.
- *4 For details on controllers/drivers and compatible motors, refer to the compatible controllers/drivers on the next page.
- *5 When pulse signals are open collector, order the current limiting resistor (LEC-PA-R-□) on page 736 separately.
- *6 When "Without controller/driver" is selected for controller/driver types, I/O cable cannot be selected. Refer to page 724 (For LECP1), or page 736 (For LECPA) if I/O cable is required.

- *7 When "Pulse input type" is selected for controller/driver types, pulse input usable only with differential. Only 1.5 m cables usable with open collector
- *8 The DIN rail is not included. It must be ordered separately.
- *9 Select "Nil" for anything other than DeviceNet™, CC-Link, or parallel input.
Select "Nil," "S," or "T" for DeviceNet™ or CC-Link.
Select "Nil," "1," "3," or "5" for parallel input.

⚠ Caution

[CE-compliant products]

① EMC compliance was tested by combining the electric actuator LEH series and the controller/JXC series.
The EMC depends on the configuration of the customer's control panel and the relationship with other electrical equipment and wiring. Therefore, compliance with the EMC directive cannot be certified for SMC components incorporated into the customer's equipment under actual operating conditions. As a result, it is necessary for the customer to verify compliance with the EMC directive for the machinery and equipment as a whole.

[UL-compliant products (For the LEC series)]

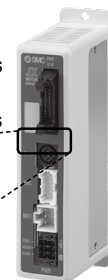
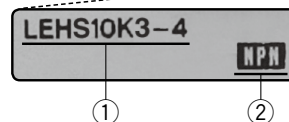
When compliance with UL is required, the electric actuator and controller/driver should be used with a UL1310 Class 2 power supply.

The actuator and controller/driver are sold as a package.

Confirm that the combination of the controller/driver and the actuator is correct.

<Check the following before use.>

- ① Check the actuator label for the model number. This number should match that of the controller/driver.
- ② Check that the Parallel I/O configuration matches (NPN or PNP).









* Refer to the Operation Manual for using the products. Please download it via our website: <https://www.smcworld.com>




- LEFS
- LEFB
- LEJS
- LEJB
- LEL
- LEM
- LEYG
- LEYS
- LESH
- LEPY
- LEPS
- LER
- LEH
- LEY-X5
- 11-LEFS
- 11-LEJS
- 25A-
- LEC□
- JXC□
- LECS□
- LECS□-T
- LECY□
- Motorless
- LAT3

LEHS Series

Step Motor (Servo/24 VDC)

Compatible Controllers/Drivers

Type	EtherCAT® direct input type	EtherNet/IP™ direct input type	PROFINET direct input type	DeviceNet™ direct input type	IO-Link direct input type	CC-Link direct input type
						
Series	JXCE1	JXC91	JXCP1	JXCD1	JXCL1	JXCM1
Features	EtherCAT® direct input	EtherNet/IP™ direct input	PROFINET direct input	DeviceNet™ direct input	IO-Link direct input	CC-Link direct input
Compatible motor	Step motor (Servo/24 VDC)					
Max. number of step data	64 points					
Power supply voltage	24 VDC					
Reference page	741					

Type	Step data input type	Programless type	Pulse input type
			
Series	JXC51 JXC61	LECP1	LECPA
Features	Parallel I/O	Capable of setting up operation (step data) without using a PC or teaching box	Operation by pulse signals
Compatible motor	Step motor (Servo/24 VDC)		
Max. number of step data	64 points	14 points	—
Power supply voltage	24 VDC		
Reference page	706-1	719	731

Specifications

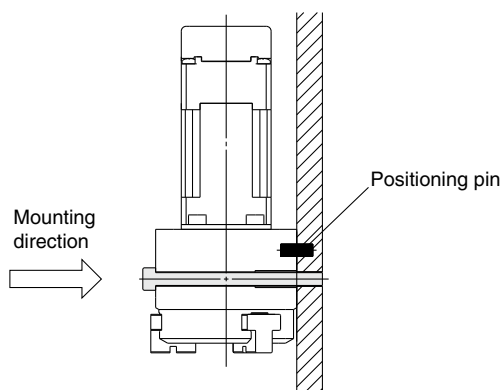


Model		LEHS10	LEHS20	LEHS32	LEHS40
Open and close stroke/diameter [mm]		4	6	8	12
Lead [mm]		255/76 (3.355)	235/56 (4.196)	235/40 (5.875)	235/40 (5.875)
Gripping force [N] ^{*1 *3}	Basic	2.2 to 5.5	9 to 22	36 to 90	52 to 130
	Compact	1.4 to 3.5	7 to 17	—	—
Open and close speed/ Pushing speed [mm/s] ^{*2 *3}		5 to 70/ 5 to 50	5 to 80/ 5 to 50	5 to 100/ 5 to 50	5 to 120/ 5 to 50
Drive method		Slide screw + Wedge cam			
Repeated length measurement accuracy [mm] ^{*4}		±0.05			
Finger backlash/radius [mm] ^{*5}		0.25 or less			
Repeatability [mm] ^{*6}		±0.02			
Positioning repeatability/radius [mm]		±0.05			
Lost motion/radius [mm] ^{*7}		0.25 or less			
Impact/Vibration resistance [m/s ²] ^{*8}		150/30			
Max. operating frequency [C.P.M]		60			
Operating temperature range [°C]		5 to 40			
Operating humidity range [%RH]		90 or less (No condensation)			
Weight [g]	Basic	185	410	975	1265
	Compact	150	345	—	—
Motor size		□20	□28	□42	
Motor type		Step motor (Servo/24 VDC)			
Encoder		Incremental A/B phase (800 pulse/rotation)			
Rated voltage [V]		24 VDC ±10%			
Power consumption/ Standby power consumption when operating [W] ^{*9}	Basic	11/7	28/15	34/13	36/13
	Compact	8/7	22/12	—	—
Max. instantaneous power consumption [W] ^{*10}	Basic	19	51	57	61
	Compact	14	42	—	—

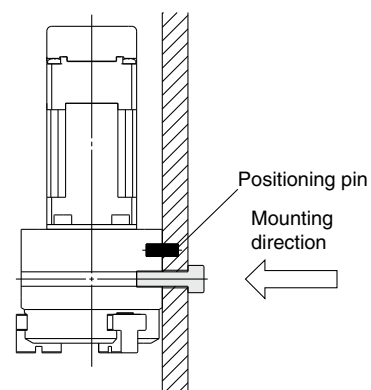
- *1 Gripping force should be from 7 to 13 times the workpiece weight. Moving force should be 150% when releasing the workpiece. Gripping force accuracy should be ±30% (F.S.) for LEHS10, ±25% (F.S.) for LEHS20 and ±20% (F.S.) for LEHS32/40. Gripping with heavy attachment and fast pushing speed, may not reach the product specification. In this case, decrease the weight and lower the pushing speed.
- *2 Pushing speed should be set within the range during pushing (gripping) operations. Otherwise, it may cause a malfunction. The open/close speed and pushing speed are for both fingers. The speed for one finger is half this value.
- *3 The speed and force may change depending on the cable length, load and mounting conditions. Furthermore, if the cable length exceeds 5 m, then it will decrease by up to 10% for each 5 m. (At 15 m: Reduced by up to 20%)
- *4 Repeated length measurement accuracy means dispersion (value on the controller monitor) when the workpiece is repeatedly held in the same position.
- *5 There will be no influence of backlash during pushing (gripping) operations. Make the stroke longer for the amount of backlash when opening.
- *6 Repeatability means the variation of the gripping position (workpiece position) when gripping operations are repeatedly performed by the same sequence for the same workpiece.
- *7 A reference value for correcting an error in reciprocal operation which occurs during positioning operations
- *8 Impact resistance: No malfunction occurred when the gripper was tested with a drop tester in both an axial direction and a perpendicular direction to the lead screw. (The test was performed with the gripper in the initial state.)
Vibration resistance: No malfunction occurred in a test ranging between 45 to 2000 Hz. The test was performed in both an axial direction and a perpendicular direction to the lead screw. (The test was performed with the gripper in the initial state.)
- *9 The power consumption (including the controller) is for when the gripper is operating.
The standby power consumption when operating is for when the gripper is stopped in the set position during operation, including the energy saving mode when gripping.
- *10 The maximum instantaneous power consumption (including the controller) is for when the gripper is operating.
This value can be used for the selection of the power supply.

How to Mount

a) Mounting A type
(when using the thread on the mounting plate)



b) Mounting B type
(when using the thread on the back of the body)

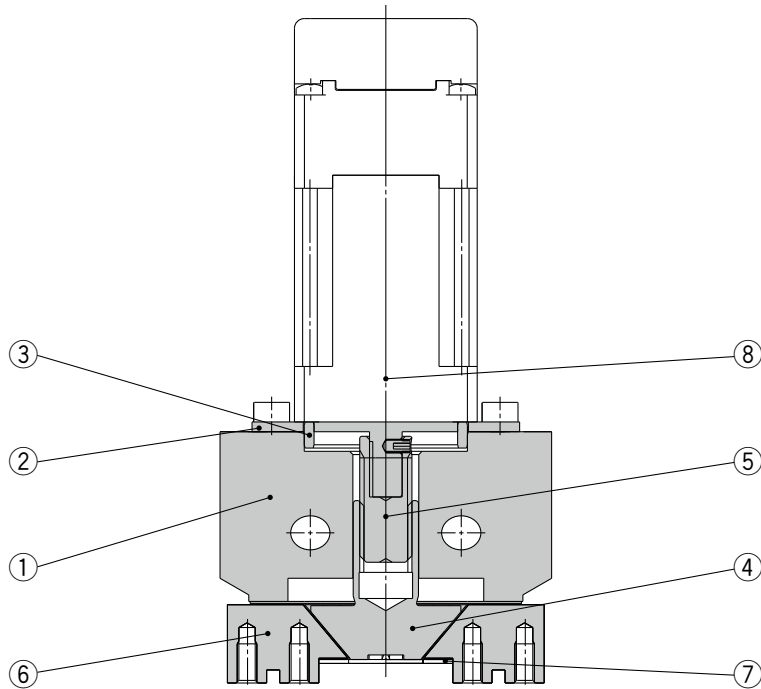


LEFS
LEFB
LEJS
LEJB
LEL
LEM
LEY
LEYG
LES
LESH
LEPY
LEPS
LER
LEH
LEY-X5
11-LEFS
11-LEJS
25A-
LEC
JXC
LECS
LECS-T
LECY
Motorless
LAT3

LEHS Series

Step Motor (Servo/24 VDC)

Construction



Component Parts

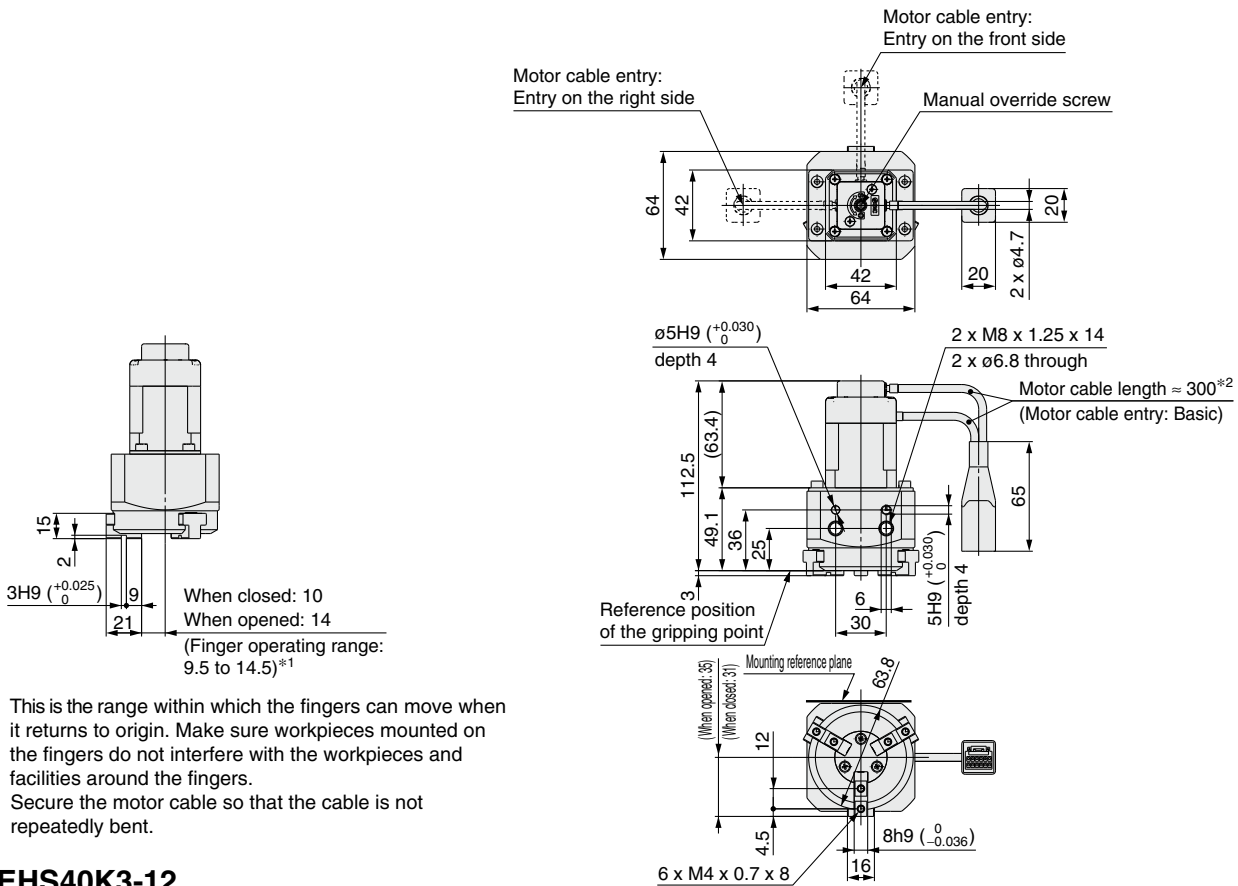
No.	Description	Material	Note
1	Body	Aluminum alloy	Anodized
2	Motor plate	Aluminum alloy	Anodized
3	Guide ring	Aluminum alloy	
4	Slide cam	Stainless steel	Heat treatment + Special treatment
5	Slide bolt	Stainless steel	Heat treatment + Special treatment
6	Finger	Carbon steel	Heat treatment + Special treatment
7	End plate	Stainless steel	
8	Step motor (Servo/24 VDC)		

LEHS Series

Step Motor (Servo/24 VDC)

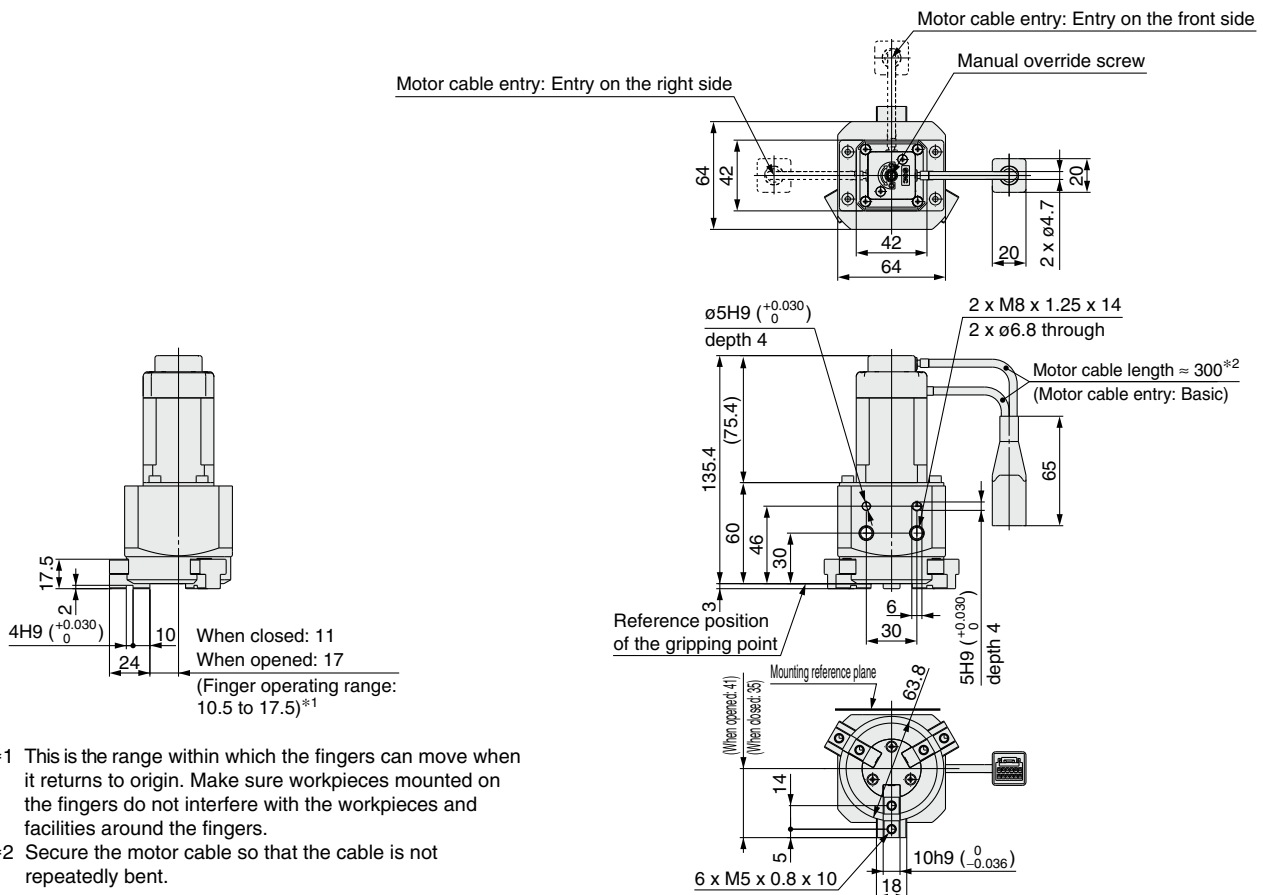
Dimensions

LEHS32K3-8



- *1 This is the range within which the fingers can move when it returns to origin. Make sure workpieces mounted on the fingers do not interfere with the workpieces and facilities around the fingers.
- *2 Secure the motor cable so that the cable is not repeatedly bent.

LEHS40K3-12



- *1 This is the range within which the fingers can move when it returns to origin. Make sure workpieces mounted on the fingers do not interfere with the workpieces and facilities around the fingers.
- *2 Secure the motor cable so that the cable is not repeatedly bent.



LEH Series Specific Product Precautions 1

Be sure to read this before handling the products. Refer to page 984 for safety instructions, pages 985 to 990 for electric actuator precautions.

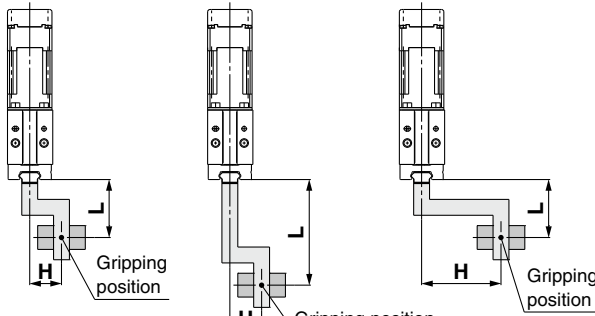
Design / Selection

Warning

1. Keep the specified gripping point.

If the specified gripping range is exceeded, excessive moment is applied to the sliding part of the finger, which may have an adverse affect on the service life of the product.

L: Gripping point
H: Overhang



○ "L" and "H" are appropriate. × "L" is too long. × "H" is too long.

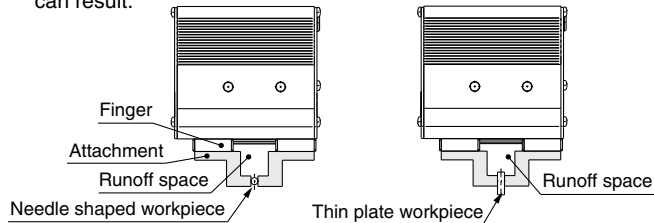
2. Design the attachment to be lightweight and short.

A long and heavy attachment will increase inertial force when the product is opened or closed, which causes play on the finger. Even if the gripping point of the attachment is within a specified range, design it to be short and lightweight as possible.

For a long or large workpiece, select a model of a larger size or use two or more grippers together.

3. Provide a runoff space for attachment when a workpiece is extremely thin or small.

Without a runoff space, the product cannot perform stable gripping, and the displacement of a workpiece or gripping failure can result.



4. Select a model that allows for gripping force in relation to the workpiece weight, as appropriate.

The selection of an inappropriate model may result in the dropping of a workpiece. Gripping force should be from 10 to 20 times (LEHZ, LEHF) or 7 to 13 times (LEHS) of the workpiece weight.

Gripping Force Accuracy

LEHZ(J)10(L)	LEHZ(J)16(L)	LEHZ(J)20(L)	LEHZ(J)25(L)	LEHZ32	LEHZ40
±30% (F.S.)		±25% (F.S.)		±20% (F.S.)	
LEHF10	LEHF20	LEHF32	LEHF40		
±30% (F.S.)		±25% (F.S.)		±20% (F.S.)	
LEHS10(L)	LEHS20(L)	LEHS32	LEHS40		
±30% (F.S.)		±25% (F.S.)		±20% (F.S.)	

5. Do not use the product in applications where excessive external force (including vibration) or impact force is applied to it.

It may lead to breakage or galling, which may result in malfunction. Do not apply impact and vibration outside of the specifications.

6. Select a model that allows for open and close width relative to a workpiece.

The selection of an inappropriate model may result in the gripping at unexpected positions due to variable open and close width of the product and the diameter of a workpiece the product can handle. It is also necessary to make a larger stroke to overcome backlash created when the product will open after gripping.

Mounting

Warning

1. Do not drop or hit the gripper to avoid scratching and denting the mounting surfaces.

Even slight deformation may result in the deterioration of accuracy and operation failure.

2. When mounting the attachment, tighten the mounting screws within the specified torque range.

Tightening the screws with a higher torque than recommended may result in a malfunction, while tightening with a lower torque may result in the displacement of the mounting position or, in extreme conditions, the actuator could become detached from its mounting position.

Mounting of Attachment to Finger

The attachment should be mounted with the torque specified in the following table by screwing the screw into the finger mounting female thread and hole.

LEHZ Series

Model	Screw size	Max. tightening torque [N·m]
LEHZ(J)10(L)	M2.5 x 0.45	0.3
LEHZ(J)16(L)	M3 x 0.5	0.9
LEHZ(J)20(L)	M4 x 0.7	1.4
LEHZ(J)25(L)	M5 x 0.8	3.0
LEHZ32	M6 x 1	5.0
LEHZ40	M8 x 1.25	12.0

LEHF Series

Model	Screw size	Max. tightening torque [N·m]
LEHF10	M2.5 x 0.45	0.3
LEHF20	M3 x 0.5	0.9
LEHF32	M4 x 0.7	1.4
LEHF40	M4 x 0.7	1.4

LEHS Series

Model	Screw size	Max. tightening torque [N·m]
LEHS10(L)	M3 x 0.5	0.9
LEHS20(L)	M3 x 0.5	0.9
LEHS32	M4 x 0.7	1.4
LEHS40	M5 x 0.8	3.0

LEFS
LEFB

LEJS
LEJB

LEL

LEM

LEY
LEYG

LES
LESH

LEPY
LEPS

LER

LEH

LEY-X5

11-LEFS

11-LEJS

25A-

LEC

JXC

LECS
LECS-T

LECY

Motorless

LAT3



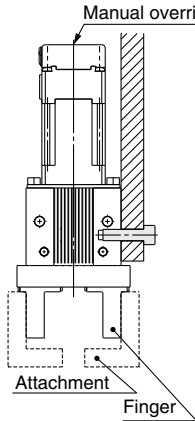
LEH Series Specific Product Precautions 2

Be sure to read this before handling the products. Refer to page 984 for safety instructions, pages 985 to 990 for electric actuator precautions.

Mounting

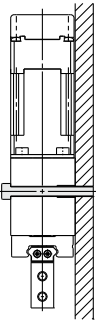
Mounting of Electric Gripper, LEHZ/LEHZJ Series

When using the thread on the side of the body



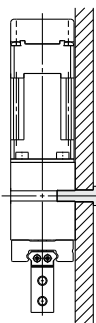
Model	Screw size	Max. tightening torque [N·m]	Max. screw-in depth L [mm]
LEHZ(J)10(L)	M3 x 0.5	0.9	6
LEHZ(J)16(L)	M4 x 0.7	1.4	6
LEHZ(J)20(L)	M5 x 0.8	3.0	8
LEHZ(J)25(L)	M6 x 1	5.0	10
LEHZ32	M6 x 1	5.0	10
LEHZ40	M8 x 1.25	12.0	14

When using the thread on the mounting plate



Model	Screw size	Max. tightening torque [N·m]
LEHZ(J)10(L)	M3 x 0.5	0.9
LEHZ(J)16(L)	M3 x 0.5	0.9
LEHZ(J)20(L)	M4 x 0.7	1.4
LEHZ(J)25(L)	M5 x 0.8	3.0
LEHZ32	M5 x 0.8	3.0
LEHZ40	M6 x 1	5.0

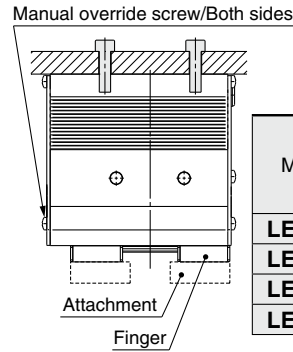
When using the thread on the back of the body



Model	Screw size	Max. tightening torque [N·m]	Max. screw-in depth L [mm]
LEHZ(J)10(L)	M4 x 0.7	1.4	6
LEHZ(J)16(L)	M4 x 0.7	1.4	6
LEHZ(J)20(L)	M5 x 0.8	3.0	8
LEHZ(J)25(L)	M6 x 1	5.0	10
LEHZ32	M6 x 1	5.0	10
LEHZ40	M8 x 1.25	12.0	14

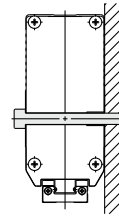
Mounting of Electric Gripper, LEHF Series

When using the thread on the body



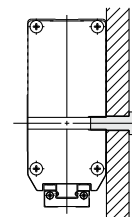
Model	Screw size	Max. tightening torque [N·m]	Max. screw-in depth L [mm]
LEHF10	M4 x 0.7	1.4	7
LEHF20	M5 x 0.8	3.0	8
LEHF32	M6 x 1	5.0	10
LEHF40	M6 x 1	5.0	10

When using the thread on the mounting plate



Model	Screw size	Max. tightening torque [N·m]
LEHF10	M4 x 0.7	1.4
LEHF20	M5 x 0.8	3.0
LEHF32	M6 x 1	5.0
LEHF40	M6 x 1	5.0

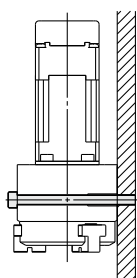
When using the thread on the back of the body



Model	Screw size	Max. tightening torque [N·m]	Max. screw-in depth L [mm]
LEHF10	M5 x 0.8	3.0	10
LEHF20	M6 x 1	5.0	12
LEHF32	M8 x 1.25	12.0	16
LEHF40	M8 x 1.25	12.0	16

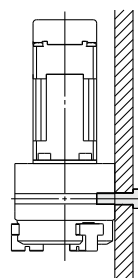
Mounting of Electric Gripper, LEHS Series

When using the thread on the mounting plate



Model	Screw size	Max. tightening torque [N·m]
LEHS10(L)	M3 x 0.5	0.9
LEHS20(L)	M5 x 0.8	3.0
LEHS32	M6 x 1	5.0
LEHS40	M6 x 1	5.0

When using the thread on the back of the body



Model	Screw size	Max. tightening torque [N·m]	Max. screw-in depth L [mm]
LEHS10(L)	M4 x 0.7	1.4	6
LEHS20(L)	M6 x 1	5.0	10
LEHS32	M8 x 1.25	12.0	14
LEHS40	M8 x 1.25	12.0	14



LEH Series Specific Product Precautions 3

Be sure to read this before handling the products. Refer to page 984 for safety instructions, pages 985 to 990 for electric actuator precautions.

Mounting

Warning

3. When mounting the electric gripper, tighten the mounting screws within the specified torque range.

Tightening the screws with a higher torque than recommended may result in a malfunction, while tightening with a lower torque may result in the displacement of the mounting position or, in extreme conditions, the actuator could become detached from its mounting position.

4. When fixing the attachment to the finger, avoid applying excessive torque to the finger.

Play or deteriorated accuracy can result.

5. The mounting face has holes and slots for positioning. Use them for accurate positioning of the electric gripper if required.

6. When a workpiece is to be removed when it is not energized, open or close the finger manually or remove the attachment beforehand.

When it is necessary to operate the product by the manual override screws, check the position of the manual override screws of the product, and leave necessary space. Do not apply excessive torque to the manual override screws. This may lead to damage and malfunction.

7. When gripping a workpiece, keep a gap in the horizontal direction to prevent the load from concentrating on one finger, to allow for workpiece misalignment.

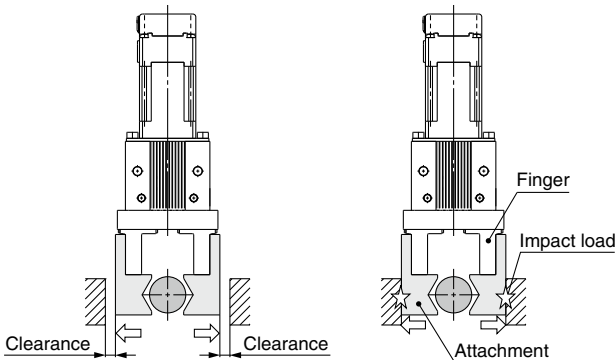
For the same purpose, when moving a workpiece for alignment by the product, minimize the friction resistance created by the movement of the workpiece. The finger can be displaced, play or breakage.

8. Perform adjustment and confirmation to ensure there is no external force applied to the finger.

If the finger is subject to repetitive lateral load or impact load, it can cause play or breakage and the lead screw can get stuck, which results in operation failure. Allow a clearance to prevent the workpiece or the attachment from hitting gripper product at the end of the stroke.

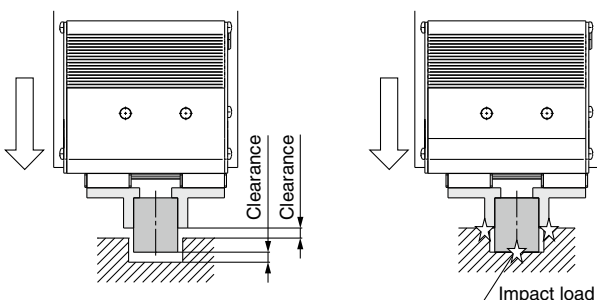
1) Stroke end when fingers are open

- With clearance × Without clearance

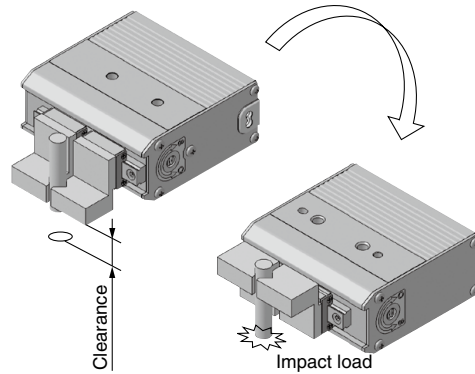


2) Stroke end when gripper is moving

- With clearance × Without clearance

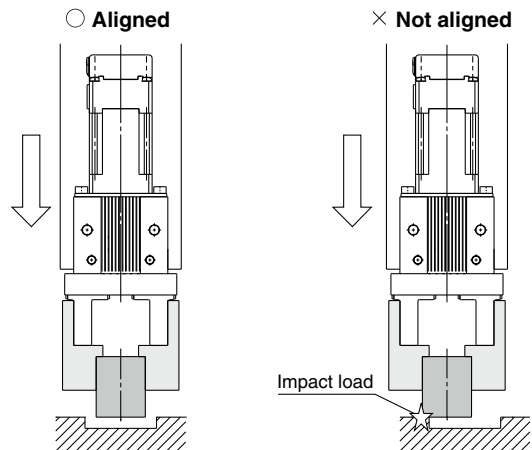


3) When turning over



9. Adjust the gripping point so that an excessive force will not be applied to the fingers when inserting a workpiece.

In particular, during a trial run, operate the product manually or at a low speed and check that the safety is assured without impact.



Handling

Caution

1. The parameters of the stroke and the open/close speed are for both fingers.

The stroke and the open/close speed for one finger is half a set parameter.

2. When gripping a workpiece by the product, be sure to set to the pushing operation.

Also, do not allow a workpiece to collide with the finger or attachment during the positioning operation or within the positioning range.

Otherwise, the lead screw can get caught and result in a malfunction. However, if the workpiece cannot be gripped in pushing operation (such as a plastically deformed workpiece, rubber component, etc.), you can grip it in positioning operation with consideration to the elastic force of the workpiece. In this case, keep the driving speed for impact specified in item 3 on page 603.

When the operation is interrupted by a stop or temporary stop, and a pushing operation instruction is output just after operation is restarted, the operating direction will vary depending on the start position.



LEH Series

Specific Product Precautions 4

Be sure to read this before handling the products. Refer to page 984 for safety instructions, pages 985 to 990 for electric actuator precautions.

Handling

Caution

3. Keep the following driving speed range for pushing operations.

- LEHZ/LEHZJ: 5 to 50 mm/s
- LEHF10: 5 to 20 mm/s
- LEHF20/32/40: 5 to 30 mm/s
- LEHS: 5 to 50 mm/s

Operation at the speed outside of the range may get the lead screw caught and result in a malfunction.

4. There is no backlash effect in pushing operations.

The return to origin is done by pushing operations. The finger position can be displaced by the effect of the backlash during the positioning operations.

Take the backlash into consideration when setting the position.

5. Do not change the setting of energy saving mode.

When pushing (gripping) operations are continued, the heat generated by the motor may result in a malfunction.

This is due to the self-lock mechanism in the lead screw, which makes the product keep the gripping force. To save the energy in this situation where the product is to be standby or continue to grip for extended periods of time, the product will be controlled to reduce current consumption (to 40% automatically after it has gripped a workpiece once). If there is the reduction of gripping force seen in the product after a workpiece has been gripped and deformed over certain amount of time, contact SMC separately.

6. INP output signal

1) Positioning operation

When the product comes within the set range by step data [In position], the INP output signal will turn ON.

Initial value: Set to [0.50] or higher.

2) Pushing operation

When the effective force exceeds the step data [Trigger LV], the INP output signal will turn ON.

Use the product within the specified range of [Pushing force] and [Trigger LV].

a) To ensure that the gripper holds the workpiece with the set [Pushing force], it is recommended that the [Trigger LV] be set to the same value as the [Pushing force].

b) When the [Pushing force] and [Trigger LV] are set below the specified range, the INP output signal will turn ON from the pushing start position.

c) The INP output signal is turned ON when pushing in the stroke end of an electric gripper even if workpiece is not held.

<INP output signal in the controller version>

- SV1.0* or more

Although the product automatically switches to the energy saving mode (reduced current) after pushing operations are completed, the INP output signal remains ON.

- SV0.6* or less

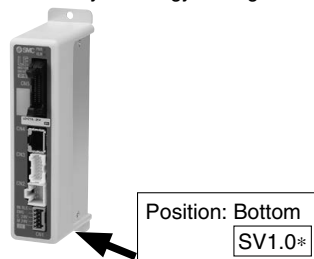
a. When [Trigger LV] is set to 40% (when the value is the same as the energy saving mode)

Although the product automatically switches to the energy saving mode (reduced current) after pushing operations are completed, the INP output signal remains ON.

b. When [Trigger LV] is set higher than 40%

The product is turned ON after pushing operations are completed, but INP output signal will turn OFF when current consumption is reduced automatically in energy saving mode.

Label position for controller version



<Pushing force and trigger level range>

LEHZ Series

Motor size	Pushing speed [mm/s]	Pushing force (Setting input value)
Basic	41 to 50	50% to 100%
	5 to 40	40% to 100%
Compact	31 to 50	70% to 100%
	21 to 30	50% to 100%
	5 to 20	40% to 100%

LEHZJ Series

Motor size	Body size	Pushing speed [mm/s]	Pushing force (Setting input value)
Basic	10, 16	41 to 50	50% to 100%
	20, 25	5 to 40	40% to 100%
Compact	10L, 16L	21 to 50	80% to 100%
		11 to 20	60% to 100%
		5 to 10	50% to 100%
	20L, 25L	31 to 50	70% to 100%
		21 to 30	50% to 100%
		5 to 20	40% to 100%

LEHF Series

Pushing speed [mm/s]	Pushing force (Setting input value)
21 to 30	50% to 100%
5 to 20	40% to 100%

LEHS Series

Motor size	Pushing speed [mm/s]	Pushing force (Setting input value)
Basic	41 to 50	50% to 100%
	5 to 40	40% to 100%
Compact	31 to 50	80% to 100%
	11 to 30	60% to 100%
	5 to 10	40% to 100%

7. When releasing a workpiece, set the moving force to 150%.

If the torque is too small when a workpiece is gripped in pushing operation, the product can have galling and become unable to release the workpiece.

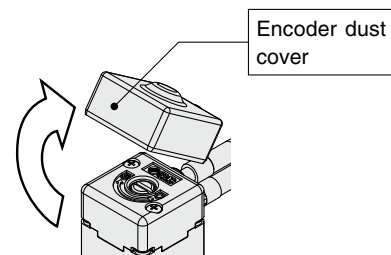
8. If the finger has galling due to operational setting error, etc., open and close the finger manually.

When it is necessary to operate the product by the manual override screws, check the position of the manual override screws of the product, and leave necessary space. Do not apply excessive torque to the manual override screws. This may lead to damage and malfunction.

<LEHZJ series>

In the case of a gripper with dust covers, remove the encoder dust cover before operating the manual override.

Refit the encoder dust cover after using the manual override.





LEH Series

Specific Product Precautions 5

Be sure to read this before handling the products. Refer to page 984 for safety instructions, pages 985 to 990 for electric actuator precautions.

Handling

⚠ Caution

9. Self-lock mechanism

The product keeps a gripping force due to the self-lock mechanism in the lead screw. Also, it will not operate in the opposite direction even when external force is applied during gripping a workpiece.

<Type of Stops, Cautions>

1) All the power supplies to the controller are shut off.

When the power supply is turned on to restart operation, the controller will be initialized, and the product can drop a workpiece due to a motor magnetic pole detective operation. (It means that there are finger motions of partial strokes by the phase detection of motor after power supply is turned on.) Remove the workpiece before restarting operation.

2) "EMG (stop)" of the CN1 of the controller is shut off.

When using the stop switch on the teaching box;

a) In case both of [SVRE] and [SETON] are ON before stop, [SVRE]: OFF / [SETON]: ON

b) How to restart operation

In this situation, since [SVRE] is on before stop, [SVRE] will be turned on automatically when stop is released, and operation can be restarted after that. It is not necessary to remove a workpiece beforehand because a motor magnetic pole detective operation will not occur.

c) Cautions

An alarm can take place when operation is restarted from stop. Check that [SVRE] is turned on after the release of stop and restart operation.

3) "M24V (motor driving power supply)" of the CN1 of the controller is shut off.

a) There will be no change in output conditions due to stop.

b) How to restart operation

In this situation, operation can be restarted after stop is released. It is not necessary to remove a workpiece beforehand because a motor magnetic pole detective operation will not occur.

c) Cautions

An alarm can take place when stop is activated during operation or operation is restarted from stop.

10. Return to origin

1) It is recommended to set the directions of return to origin and workpiece gripping in the same direction.

If they are set opposite, there can be backlash, which worsens the measurement accuracy significantly.

2) If the direction of return to origin is set to CW (Internal gripping);

If the return to origin is performed with the product only, there can be significant deviation between different actuators. Use a workpiece to set return to origin.

3) If the return to origin is performed by using a workpiece; The stroke (operation range) will be shortened. Recheck the value of step data.

4) If basic parameters (Origin offset) are used; When the return to origin is set with [Origin offset], it is necessary to change the current position of the product. Recheck the value of step data.

Handling

⚠ Caution

11. For pushing (gripping) operations, set the product to a position at least 0.5 mm away from a workpiece. (This position is referred to as the pushing start position.)

If the product is set to the same position as a workpiece, the following alarms may be generated and operation may become unstable.

a. "Posn failed"

The product cannot reach the pushing start position due to variations in the width of workpieces.

b. "Pushing ALM"

The product is pushed back from the pushing start position after starting to push.

c. "Err overflow"

The displacement at the pushing start position exceeds the specified range.

12. When mounting the product, secure a bending diameter of 40 mm or longer for the motor cable.

13. Finite orbit type guide is used in the actuator finger part. By using this, when there are inertial force which cause by movements or rotation to the actuator, steel ball will move to one side and this will cause a large resistance and degrade the accuracy. When there are inertial force which cause by movements or rotation to the actuator, operate the finger to full stroke.

Especially in long stroke type, the accuracy of the finger may degrade.

Maintenance

⚠ Danger

1. When the product is to be removed, check it has not been gripping a workpiece.

There is a risk of dropping a workpiece.

⚠ Caution

1. The dust cover on the gripper finger (LEHZJ series only) is a consumable item, replace the dust cover as and when it is necessary.

Otherwise, machining chips and fine particles may get into the product from the outside, resulting in a malfunction.

The dust cover on the gripper finger can be damaged if the finger attachment or the workpiece comes into contact with the dust cover during operation.

LEFS
LEFB

LEJS
LEJB

LEL

LEM

LEY
LEYG

LES
LESH

LEPY
LEPS

LER

LEH

LEY-X5

11-LEFS

11-LEJS

25A-

LEC

JXC

LECS
LECS-T

LECY

Motorless

LAT3