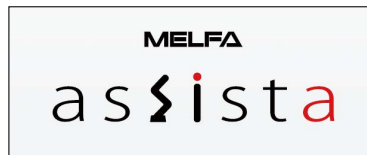




# Magnet Gripper for Collaborative Robots

**Mitsubishi Electric Corporation**  
collaborative robot  
**MELFA ASSISTA** compliant



## MHM-X7400A-ASSISTA



More information  
can be viewed here.

P-E20-33

# Magnet Gripper for Collaborative Robots

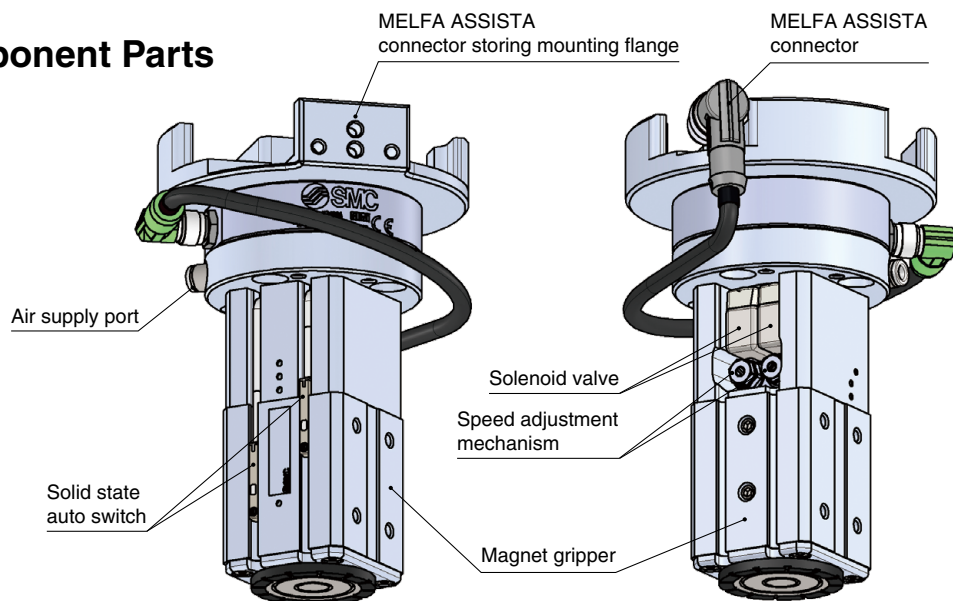
Mitsubishi Electric Corporation

MELFA ASSISTA compliant



- Attracts and holds heavy objects with a magnet
- Supports workpieces with holes and uneven surfaces
- Compact with high holding force
  - | Holding force: Max. **200 N** ( $\phi 25$ , Workpiece thickness 6 mm)
- Continues to hold workpieces even when the air is shut off
- Operate by simply connecting 1 air supply tube and an electrical wiring M12 connector.
- Integrated solenoid valve, auto switch, and piston speed adjustment mechanism

## Component Parts



Learn more about the MHM series here.

## How to Order



MHM-25D-X7400A-ASSISTA-P

Auto switch output type

Symbol	Auto switch model	Output type
Nil	D-M9N	NPN
P	D-M9P	PNP

## Specifications

Fluid	Air	
Action	Double acting	
Operating pressure [MPa]	0.2 to 0.6	
Proof pressure [MPa]	0.9	
Ambient and fluid temperatures [°C]	-10 to 50 (No freezing)	
Holding force [N]	Workpiece thickness: 2 mm	160
	Workpiece thickness: 6 mm	200
Residual holding force [N]	0.3 or less	
Lubrication	Non-lube	
Weight [g]	780	
Standards	ISO 9409-1-31.5-4-M5	
Auto switch model	D-M9N, D-M9P	
Connector type	M12 8-pin connector (Plug)	

■ **Included parts:** Connector storing flange, Mounting bolt, Positioning pin, Coil tube for piping ( $\phi 4$ ), Piping fittings (2 types)

# Characteristics

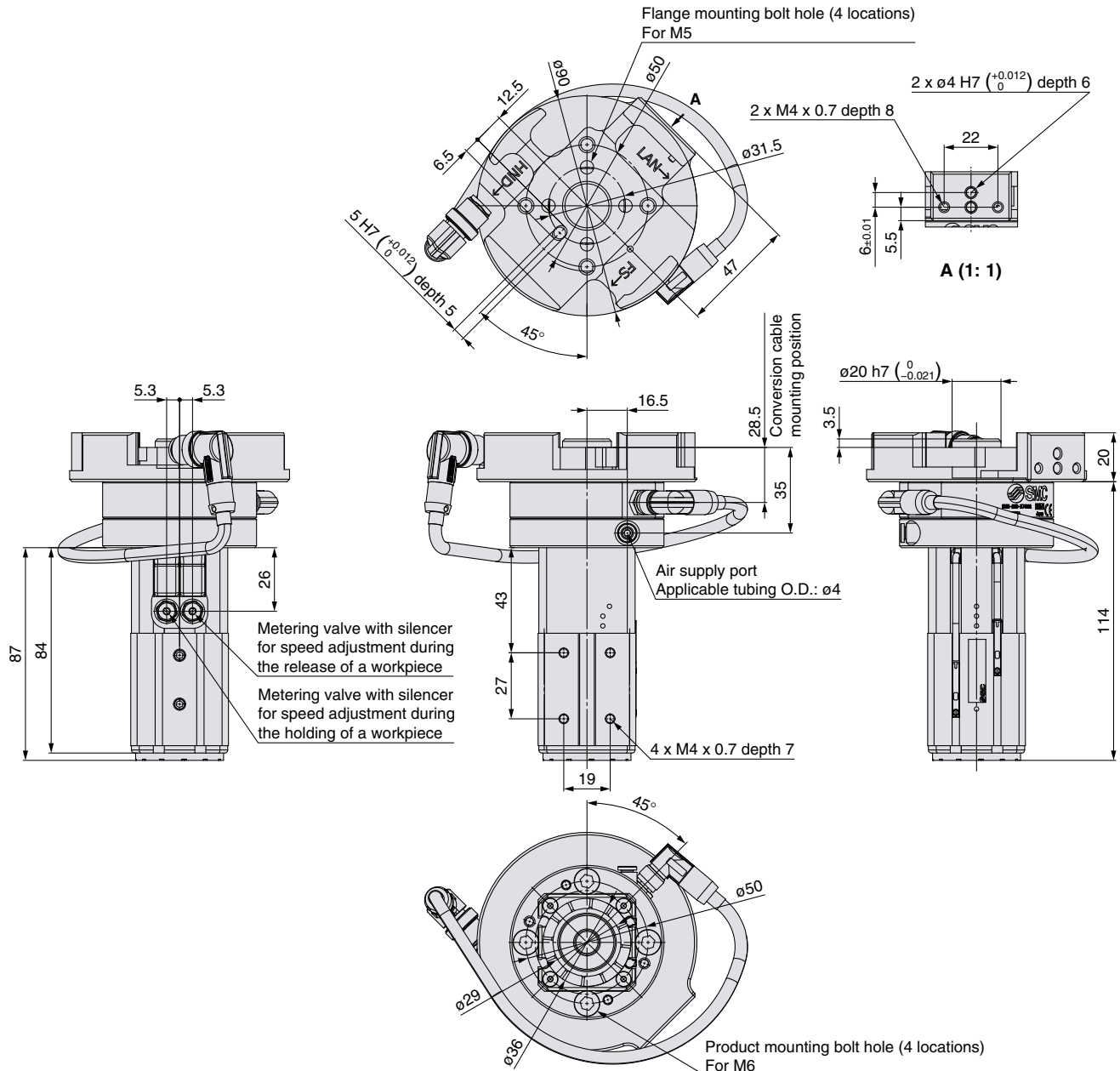
## Holding force

The holding force graph shows the theoretical value for low-carbon steel plates. Holding forces vary depending on the material and shape of the workpiece. Please perform a holding test while referring to the value selected based on the graph.

### MHM-25



# Dimensions





## Magnet Gripper for Collaborative Robots



**⚠ Safety Instructions** Be sure to read the "Handling Precautions for SMC Products" (M-E03-3) and "Operation Manual" before use.

### SMC Corporation

Akihabara UDX 15F,  
4-14-1, Sotokanda, Chiyoda-ku, Tokyo 101-0021, JAPAN  
Phone: 03-5207-8249 Fax: 03-5298-5362  
<https://www.smcworld.com>  
© 2021 SMC Corporation All Rights Reserved

Specifications are subject to change without prior notice  
and any obligation on the part of the manufacturer.

D-G