

# Vacuum Ejector

## Series ZM



### All in One!

- Built-in suction filter and silencer
- Air supply valve for generating a vacuum
- Vacuum release valve (equipped with a flow volume adjustment valve)
- Vacuum pressure switch (solid state, diaphragm)

### Adaptable for a manifold application

All tubing, wiring, indicators, and adjustment functions have been eliminated from the side surfaces, thus enabling assembly and maintenance while linked to a manifold.

- EXH system — Common
- SUP system — Common, Individual

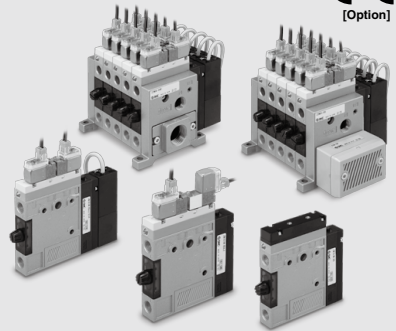
### Maximum air suction volume increased by 40% Maximum vacuum pressure – 84 kPa

The suction volume has been increased by 40% through the adoption of a two-stage nozzle construction.

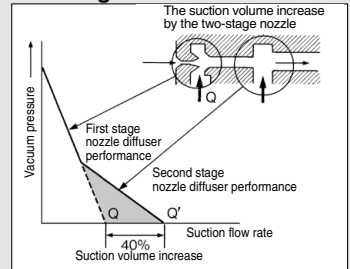
### Compact and lightweight

15.5 mm width, 400 g (full system)

### Air operated type



### Two-stage nozzle construction



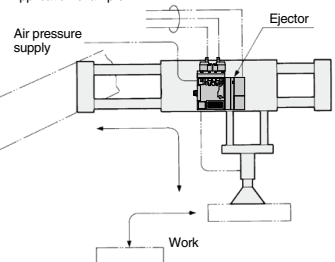
### Series ZM Applications

Fields: Semiconductor and electrical, automobile assembly, food and medical equipment, and various types of manufacturing and assembly equipment

Machines: Robotic hand/material handling, automotive assembling machines, automatic transfer equipment, pick and place, printing machinery

Functions: Vacuum adsorption transfer, vacuum adsorption retention, vacuum generated air flow

#### Application example

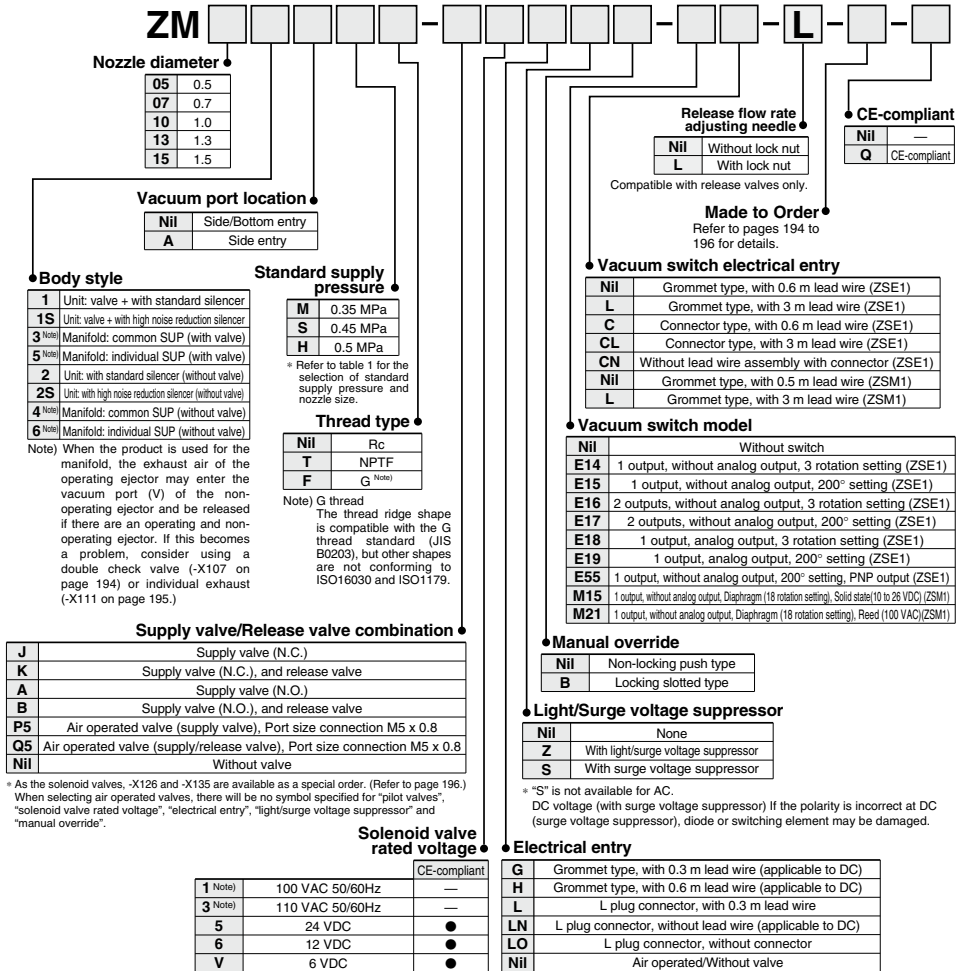


# Vacuum Ejector With Valve and Switch Series ZM

Note) CE-compliant:  
For DC only.



## How to Order



### Combination of Nozzle Diameter and Standard Supply Pressure

Nozzle diameter	Standard supply pressure MPa		
	M (0.35)	S (0.45)	H (0.5)
0.5	—	—	○
0.7	○	—	○
1.0	○	—	○
1.3	○	○	○
1.5	—	○	—

**Table (1) How to Order Connector for Solid State Switch**

- Without lead wire (A connector and 4 sockets) ..... **ZS-20-A**
- With lead wire ..... **ZS-20-5A-**

Note) If ordering switch with 5 m lead wire, specify both switch and lead wire with connector part numbers.

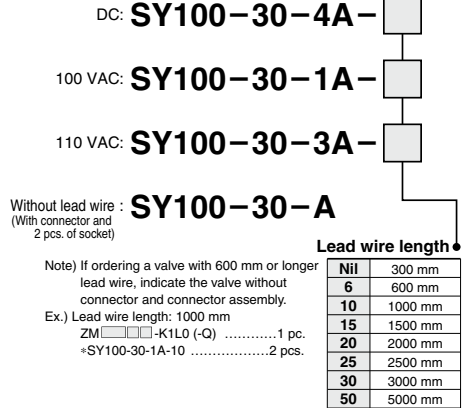
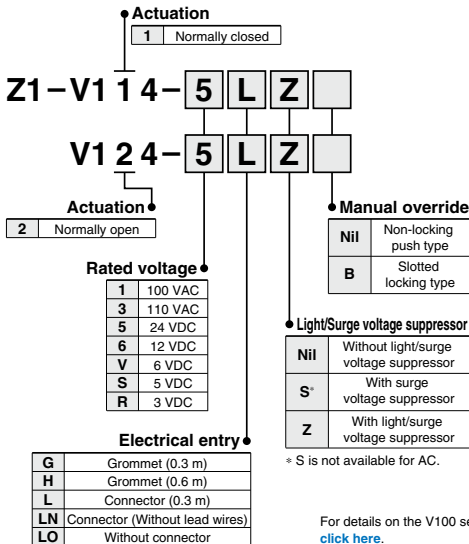
Ex.) ZM-E15CN ..... 1 pc.  
\* ZS-20-5A-50 ..... 1 pc.

Lead wire length	
Nil	0.6 m
30	3 m
50	5 m

**Table (2) How to Order for Supply Valve and Vacuum Release Valve**

● How to Order Solenoid Valves (Refer to the table (3))

● How to order connector assembly



**Warning**

The pilot valve should be changed. When replacing the current model (black color) in which "1" or "3" is used for the solenoid valve rated voltage, replace the lead wire assembly with connector together.

**Caution**

The type of actuation cannot be changed just by changing the solenoid valve.

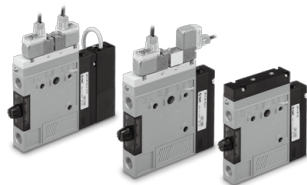
**Table (3) Solenoid Valve Model**

Supply valve N.C. Release valve (N.C.)	Z1-V114- <span style="border: 1px solid black; display: inline-block; width: 20px; height: 10px;"></span> <span style="border: 1px solid black; display: inline-block; width: 20px; height: 10px;"></span> <span style="border: 1px solid black; display: inline-block; width: 20px; height: 10px;"></span> <span style="border: 1px solid black; display: inline-block; width: 20px; height: 10px;"></span>
Supply valve N.O.	V124- <span style="border: 1px solid black; display: inline-block; width: 20px; height: 10px;"></span> <span style="border: 1px solid black; display: inline-block; width: 20px; height: 10px;"></span> <span style="border: 1px solid black; display: inline-block; width: 20px; height: 10px;"></span> <span style="border: 1px solid black; display: inline-block; width: 20px; height: 10px;"></span>

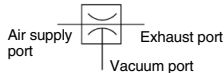
**Quick Delivery/Model**

<Without valve/Single unit>	<With valve/Single unit>	
● ZM052H	● ZM051H-K5LZ(-Q)	● ZM131H-K5LZ(-Q)
● ZM072H	● ZM051H-K5LZ-E15(-Q)	● ZM131H-K5LZ-E15(-Q)
● ZM102H	● ZM071H-K5LZ(-Q)	● ZM131M-K5LZ(-Q)
● ZM132H	● ZM071H-K5LZ-E15(-Q)	● ZM131M-K5LZ-E15(-Q)
	● ZM101H-K5LZ(-Q)	
	● ZM101H-K5LZ-E15(-Q)	

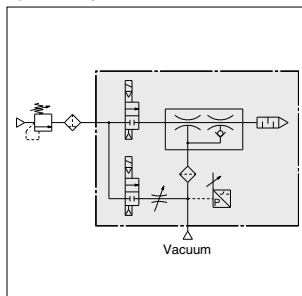
# Series ZM



Symbol



## Ejector System Circuit



### Made to Order

(Refer to pages 194 to 196 for details.)

Symbol	Specifications
X107	Double check valve/For manifold
X111	With individual exhaust spacer
X126	Double solenoid supply valve (With release valve)
X135	Double solenoid supply valve (Without release valve)

## Model

Nozzle dia. $\phi$ (mm)	Model	Standard supply pressure			Maximum suction flow rate (L/min (ANR))	Air consumption (L/min (ANR))	Diffuser construction
		H	M	S			
0.5	ZM05□H	0.5 MPa	—	—	15	17	Double diffuser
0.7	ZM07□H				30	30	
1.0	ZM10□H				50	60	
1.3	ZM13□H				66	90	
0.7	ZM07□M	0.35 MPa	—	—	23	33	
1.0	ZM10□M				38	60	
1.3	ZM13□M				44	85	
1.3	ZM13□S				37	88	Single diffuser
1.5	ZM15□S	0.45 MPa	45	110			

## Vacuum Ejector Specifications

Fluid	Air	
Maximum operating pressure	0.7 MPa	
Maximum vacuum pressure	- 84 kPa	
Supply pressure range	Air pressure supply (P) port (Without valve)	0.2 to 0.55 MPa
	Air pressure supply (P) port (With valve)	0.25 to 0.55 MPa
	Pilot pressure supply (PA, PB) ports for supply and release <sup>(1)(2)</sup>	P port pressure to 0.55 MPa
Operating temperature range	Without valve	5 to 60 °C
	With valve	5 to 50 °C
Air supply valve	Main valve	Poppet
Vacuum release valve	Pilot valve	V114, V124
Vacuum pressure switch	Electronic	ZSE1-00-□□
	Diaphragm	ZSM1-0□□□
Suction filter	Filtration degree: 30 $\mu$ m, Material: PE (Polyethylene)	

Note) Combination of supply valve and release valve: P5, Q5

The supply and release valves of this product have a structure which uses the pressure of the air pressure supply (P) port to operate them. Be sure to supply a pressure that is the pressure of the air pressure supply (P) port or more and 0.55 MPa or less to the pilot pressure supply (PA, PB) ports for supply and release.

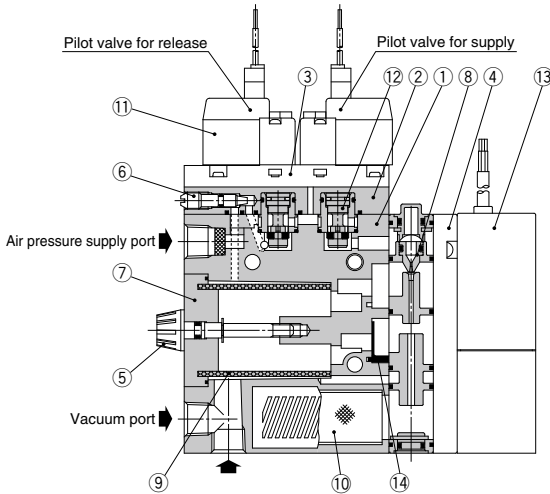
## Valve Specifications

How to operate	Pilot type
Main valve	NBR poppet
Effective area	3 mm <sup>2</sup>
Cv factor	0.17
Operating pressure range	0.25 to 0.7 MPa
Electrical entry	Plug connector, Grommet (available on DC)
Max. operating frequency	5 Hz
Voltage	24/12/6/5/3 VDC, 100/110 VAC (50/60 Hz)
Power consumption	DC: 0.35W (With light: 0.4 W), 100 VAC: 0.78 W (0.81 W), 110 VAC: 0.86 W (0.89 W)

## Weight

Model	Without switch	-E□□	-E□□L	-M□□	-M□□L	(kg)	
ZM□□2□	0.13	0.17	0.22	0.25	0.29		
ZM□□4□							
ZM□□6□							
ZM□□1□-J□□	0.16	0.2	0.25	0.28	0.33		
ZM□□3□-J□□							
ZM□□5□-J□□							
ZM□□1□-K□□	0.18	0.22	0.27	0.29	0.34		
ZM□□3□-K□□							
ZM□□5□-K□□							
ZM□□1□-A□□	0.17	0.2	0.25	0.27	0.32		
ZM□□3□-A□□							
ZM□□5□-A□□							
ZM□□1□-B□□	0.18	0.21	0.26	0.29	0.34		
ZM□□3□-B□□							
ZM□□5□-B□□							
ZM□□□□-□□	0.17	0.2	0.25	0.27	0.32		
Stations	-04R/L	-04B	-06R/L	-06B	-SR/L	-SB	
1	0.209	0.219	0.219	0.229	0.239	0.269	
2	0.214	0.224	0.224	0.234	0.244	0.274	
3	0.219	0.229	0.229	0.239	0.249	0.279	
4	0.224	0.234	0.234	0.244	0.254	0.284	
5	0.229	0.239	0.239	0.249	0.259	0.289	
6	0.234	0.244	0.244	0.254	0.264	0.294	
7	0.239	0.249	0.249	0.259	0.269	0.299	
8	0.244	0.254	0.254	0.264	0.274	0.304	
9	0.249	0.259	0.259	0.269	0.279	0.309	
10	0.254	0.264	0.264	0.274	0.284	0.314	

**Construction: ZM□1□-K□L-E□**



**⚠ Precautions**

Be sure to read before handling.  
Refer to back page 1 for Safety Instructions and back page 2 to 4 for Vacuum Equipment Precautions.

**⚠ Caution**  
**Selection and sizing of Series ZM**  
Refer to the Vacuum Equipment Model Selection on front mater 18 to 39.

**Operation of an ejector equipped with a valve**

When the air supply pilot valve is turned ON, air flows to the diffuser assembly, and a vacuum is created.  
When the pilot valve for releasing the vacuum is turned ON, air flows to the vacuum port side, immediately causing a release in the vacuum. The release speed can be adjusted by regulating the flow volume adjustment screw.  
When the supply valve is turned OFF, the atmospheric pressure causes the air to flow back from the silencer, thus releasing the vacuum. However, in order to properly release a vacuum, a vacuum release valve must be used.

**Component Parts**

No.	Description	Material	Note
1	Body	Aluminum die-casted	
2	Valve cover	Resin	
3	Adapter plate	Resin	
4	Cover	Zinc die-casted	Without switch: ZM-HCA, With switch: ZM-HCB
5	Tension bolt	Stainless steel/Polyacetal	

**Operating environment**

Because the filter cover is made of polycarbonate, do not use it with or expose it to following chemicals: paint thinner, carbon tetrachloride, chloroform, acetic ester, aniline, cyclohexane, trichloroethylene, sulfuric acid, lactic acid, water-soluble cutting oil (alkalinic), etc. Also, do not expose it to direct sunlight.  
Furthermore, avoid use in direct sunlight.

**Replacement Parts**

No.	Description	Material	Part no.
6	Release flow rate adjusting needle	Brass/Electroless nickel plating	ZM-NA (With lock nut: ZM-ND-L)
7	Filter cover assembly	—	ZM-FCB-0
8	Diffuser assembly	—	ZM□□0□-0 (Refer to page 176) Nozzle diameter ↓ Standard supply pressure
9	Suction filter	Polyethylene	ZM-SF
10	Silencer assembly	—	ZM-SA (High noise reduction: ZM-SA-D)
11	Pilot valve	—	Z1-V114-□□□□ (Refer to page 177) V124-□□□□
12	Poppet valve assembly	—	ZMA-PV2-0
13	Vacuum pressure switch	—	ZSE1-00-□□ ZSM1-015 ZSM1-021
14	Check valve	NBR	ZM-CV

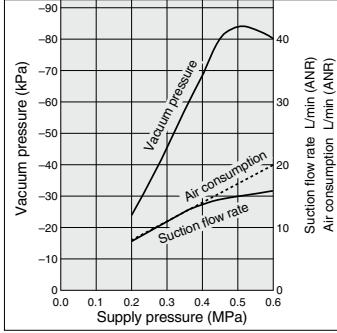
**Release flow rate adjusting screw**

Turning the vacuum release flow rate adjusting screw 4 full turns from the fully closed position renders the valve fully open. Do not turn more than four times since turning excessively may cause the screw fall off.  
In order to prevent the screw from loosening and falling out, the release flow rate adjusting needle with lock nut is also available.

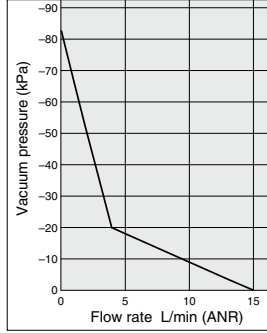
## Exhaust Characteristics/Flow Characteristics, Standard Supply Pressure: H ... 0.5 MPa

### ZM05□H

#### Exhaust Characteristics

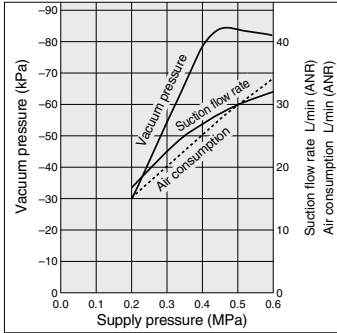


#### Flow Characteristics

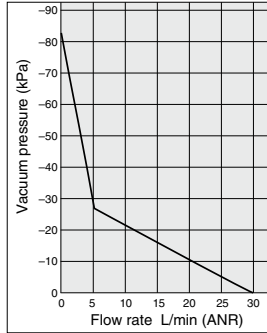


### ZM07□H

#### Exhaust Characteristics

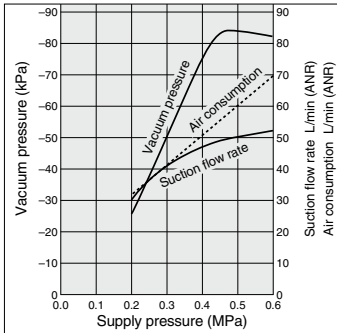


#### Flow Characteristics

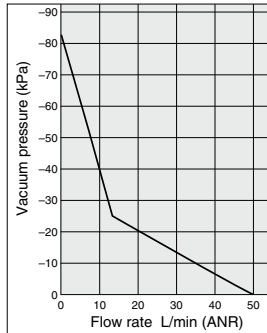


### ZM10□H

#### Exhaust Characteristics



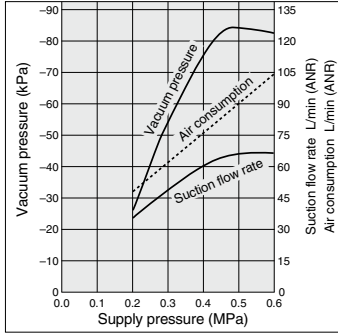
#### Flow Characteristics



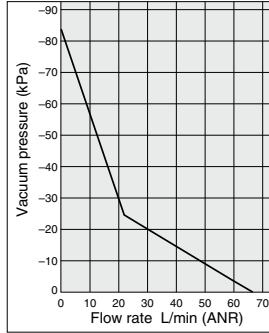
**Exhaust Characteristics/Flow Characteristics, Standard Supply Pressure: H ... 0.5 MPa**

**ZM13□H**

**Exhaust Characteristics**



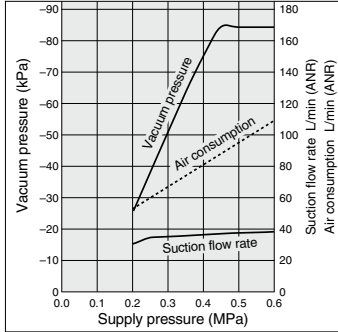
**Flow Characteristics**



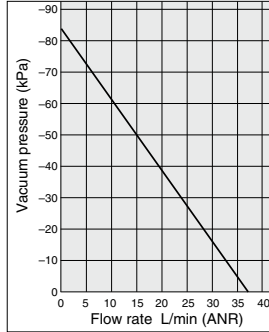
**Exhaust Characteristics/Flow Characteristics, Standard Supply Pressure: S ... 0.45 MPa**

**ZM13□S**

**Exhaust Characteristics**

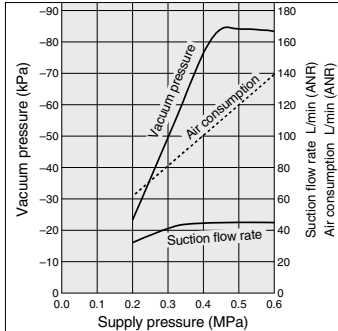


**Flow Characteristics**

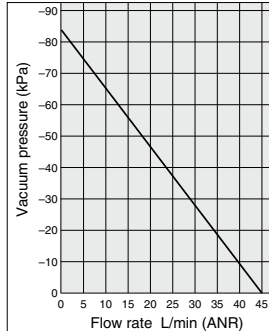


**ZM15□S**

**Exhaust Characteristics**



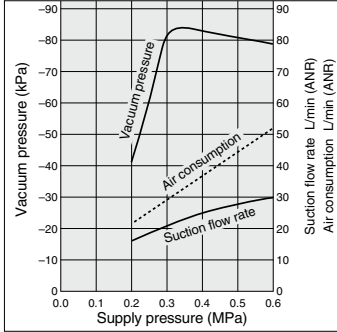
**Flow Characteristics**



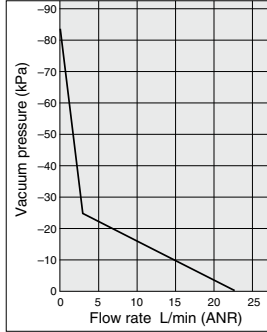
## Exhaust Characteristics/Flow Characteristics, Standard Supply Pressure: M ... 0.35 MPa

### ZM07□M

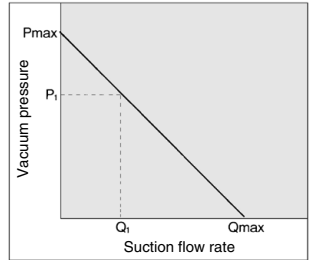
#### Exhaust Characteristics



#### Flow Characteristics



### How to Read Flow Characteristics Graph



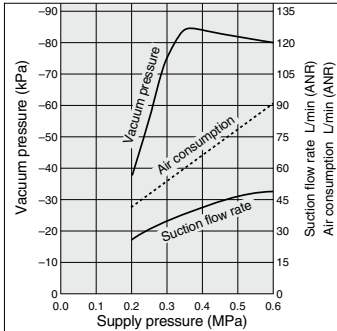
Flow characteristics are expressed in ejector vacuum pressure and suction flow. If suction flow rate changes, a change in vacuum pressure will also be expressed. Normally this relationship is expressed in ejector standard supply pressure. In graph, Pmax is max. vacuum pressure and Qmax is max. suction flow. The values are specified according to catalog use.

Changes in vacuum pressure are expressed in the order below.

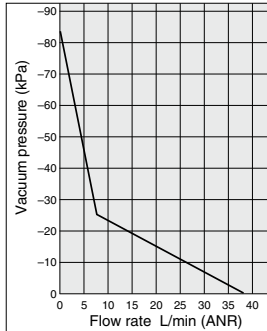
1. When ejector suction port is covered and made airtight, suction flow is 0 and vacuum pressure is at maximum value (Pmax).
2. When suction port is opened gradually, air can flow through (air leakage), suction flow increases, but vacuum pressure decreases (condition P<sub>1</sub> and Q<sub>1</sub>).
3. When suction port is opened further, suction flow moves to maximum value (Qmax), but vacuum pressure is near 0 (atmospheric pressure).  
When vacuum port (vacuum piping) has no leakage, vacuum pressure becomes maximum, and vacuum pressure decreases as leakage increases. When leakage value is the same as max. suction flow, vacuum pressure is near 0.  
When ventilative or leaky work must be adsorbed, please note that vacuum pressure will not be high.

### ZM10□M

#### Exhaust Characteristics

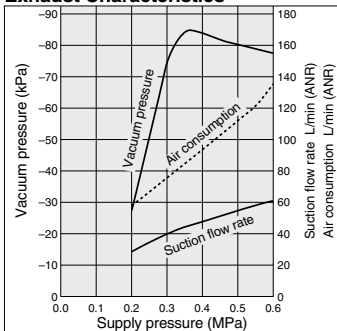


#### Flow Characteristics

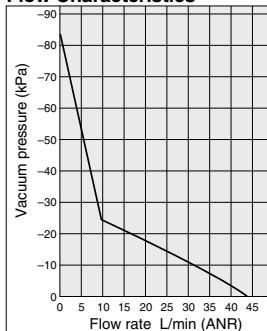


### ZM13□M

#### Exhaust Characteristics



#### Flow Characteristics







## Vacuum Pressure Switch/Solid State Switch (ZSE), Diaphragm Switch (ZSM)

### Vacuum Switch

Model	ZSE1-00-14	ZSE1-00-15	ZSE1-00-16	ZSE1-00-17	ZSE1-00-18	ZSE1-00-19	ZSE1-00-55	ZSM1-015	ZSM1-021
<b>Sensor type</b>	Solid state							Diaphragm	
<b>Switch</b>	Electronic circuit							Solid state	Reed
<b>Set pressure range</b>	0 to -101 kPa								
<b>Hysteresis</b>	1 to 10% of the set pressure (Changeable)		3% full span or less (Fixed)			1 to 10% of the set pressure (Changeable)		Max. 15 kPa	Max. 20 kPa
<b>Repeatability</b>	±1% full span or less								
<b>Temperature characteristics</b>	±3% full span or less								
<b>Operating voltage</b>	12 to 24 VDC (Ripple ±10% or less)							4.5 to 28 VDC/AC/DC 100 V	
<b>ON-OFF output</b>	NPN open collector 30 V, Max. 80 mA						PNP open collector 80 mA	Open collector 28 V, Max. 40 mA	—
<b>Setting points</b>	1 point		2 points			1 point		1 point	
<b>Operation indicator light</b>	Lights up when ON		Lights ON (Output 1: Red, Output 2: Green)			Lights up when ON		Lights up when ON (Red)	
<b>Setting trimmer</b>	3 rotations   200 degrees		3 rotations   200 degrees		3 rotations   200 degrees		18 rotations		
<b>Current consumption</b>	17 mA or less (When 24 VDC is ON)		25 mA or less (When 24 VDC is ON)			17 mA or less (When 24 VDC is ON)		10 mA or less (24 VDC)	
<b>Max. current</b>	—								
<b>Max. operating pressure</b>	0.2 MPa							0.5 MPa	

\* When using ejector system, instantaneous pressure up to 0.5 MPa will not damage the switch.

Note) For details about wiring, refer to the Operation Manual that can be downloaded from our website (<http://www.smcworld.com>).

For details on the ZSE1 series, [click here](#).

### Diaphragm Switch (ZSM)

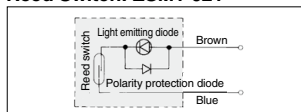
#### Solid State Switch: ZSM1-015

Brown lead wire: Connect the ⊕ power supply to operate the main switch circuit (to the ⊕ terminal of the power source).

Black lead wire: Connect the load (to the input or output relay of the PLC).

Blue lead wire: Connect the ⊖ power supply (to the GND terminal of the power supply).

#### Reed Switch: ZSM1-021

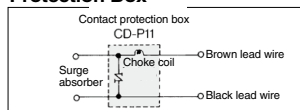


#### Contact protection box

The switch does not have a built-in contact protection circuit. Use this box if an induction load is applied or if the lead wire is longer than 5 meters.



#### Internal Circuit of Contact Protection Box



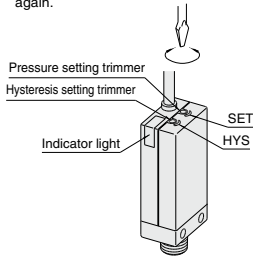
For details on the ZSM1 series, [click here](#).

## How to Set the Pressure

- The ON pressure is set with the pressure setting trimmer. The high pressure/high vacuum pressure can be set turning it clockwise.
- When setting, use a flat head screw driver which fits the groove in the trimmer, and turn it gently with your fingertips.

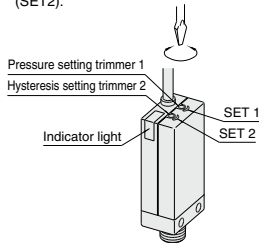
### ZSE1(L)-□□-14/-15/-18/-19

- Hysteresis can be set using the hysteresis setting trimmer. The setting is increased by turning it clockwise, and the range is 1 to 10% of the set pressure range.
- When the hysteresis setting trimmer is moved after setting the ON pressure, it must be set again.

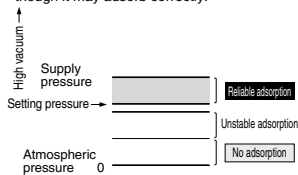


### ZSE1(L)-□□-16/-17

- OUT1 (black lead wire, red LED) can be set with the pressure setting trimmer 1 (SET1).
- OUT2 (white lead wire, green LED) can be set with the pressure setting trimmer 2 (SET2).



- When using the switch to confirm correct adsorption, the vacuum pressure is set to the minimum value to reliably adsorb. If the value is set below the minimum, the switch will be turned ON even when adsorption has failed or is insufficient. If the pressure is set too high, the switch may not turn ON even though it may adsorb correctly.

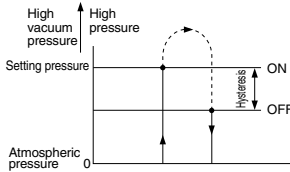


## ⚠ Caution

Observe the following precautions for setting the vacuum pressure: Use your fingertips to gently turn the screwdriver. Do not use a screwdriver with a large grip or with a tip that does not fit into the trimmer groove because this could damage the groove.

## Hysteresis

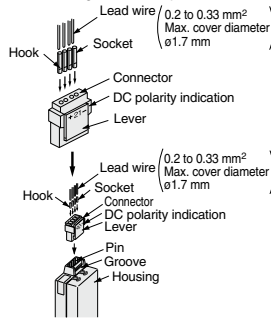
Hysteresis is the difference in pressure when the output signal is ON and OFF. The pressure to be set is the ON pressure. It turns ON at the set pressure.



## How to Use Connector

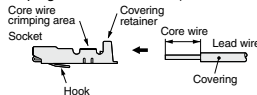
### 1. Attaching and detaching connectors

- When assembling the connector to the switch housing, push the connector straight onto the pins until the level locks into the housing slot.
- When removing the connector from the switch housing, push the lever down to unlock it from the slot and then withdraw the connector straight off of the pins.



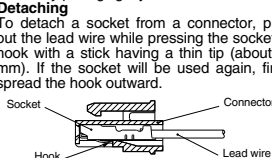
### 2. Crimping of lead wires and sockets

Strip 3.2 to 3.7 mm of the lead wire ends, insert each stripped wire into a socket and crimp contact it using special crimping tool. Be careful that the outer insulation of the lead wires does not interfere with the socket contact part. (Crimping tool: DXT170-75-1)



### 3. Attaching and detaching of socket to connector with lead wire

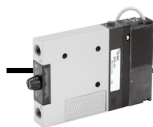
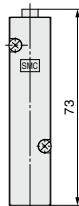
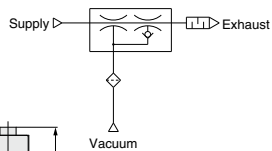
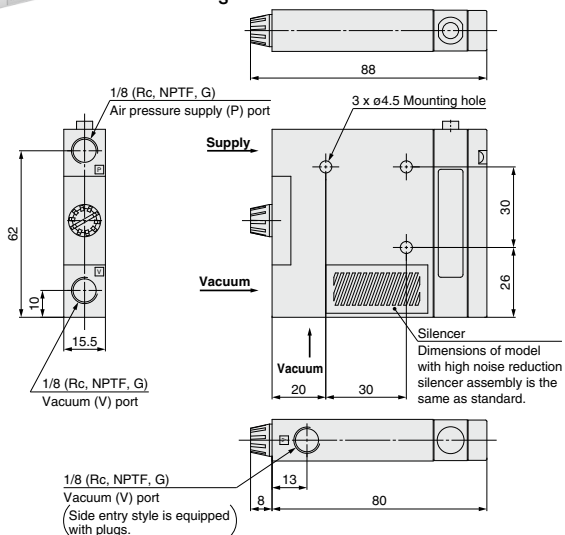
- **Attaching**  
Insert the sockets into the square holes of the connector (with +, 1, 2, - indication), and continue to push the sockets all the way in until they lock by hooking into the seats in the connector. (When they are pushed in their hooks open and they are locked automatically.) Then confirm that they are locked by pulling lightly on the lead wires.
- **Detaching**  
To detach a socket from a connector, pull out the lead wire while pressing the socket's hook with a stick having a thin tip (about 1 mm). If the socket will be used again, first spread the hook outward.





## For Single Unit/Without Valve Basic Type

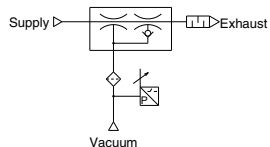
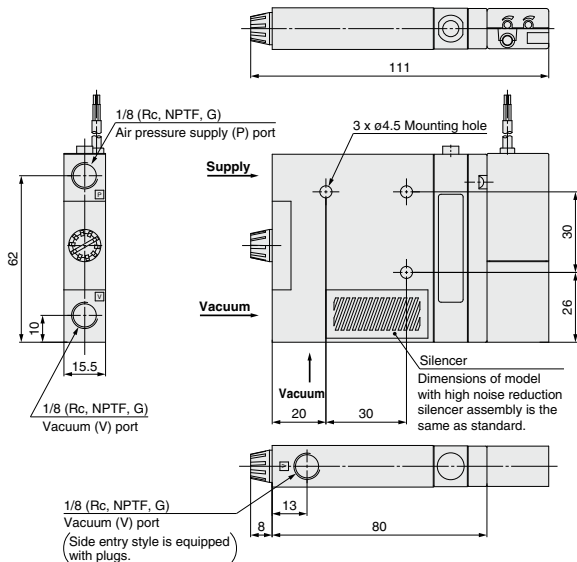
ZM□2□□<sup>H</sup>□<sub>M</sub>□<sub>S</sub>



### <Components>

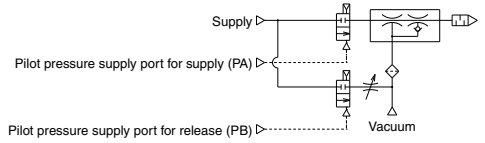
## For Single Unit/Without Valve Basic Type with Switch

ZM□2□□<sup>H</sup>□□□□<sub>M</sub>□□<sub>S</sub>

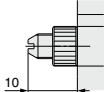


## Air Operated Type

ZM□1□□□<sup>H</sup><sub>S</sub>□□-□P5



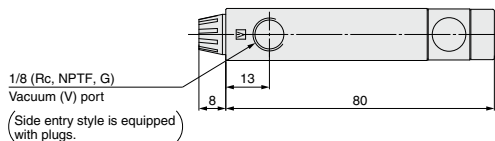
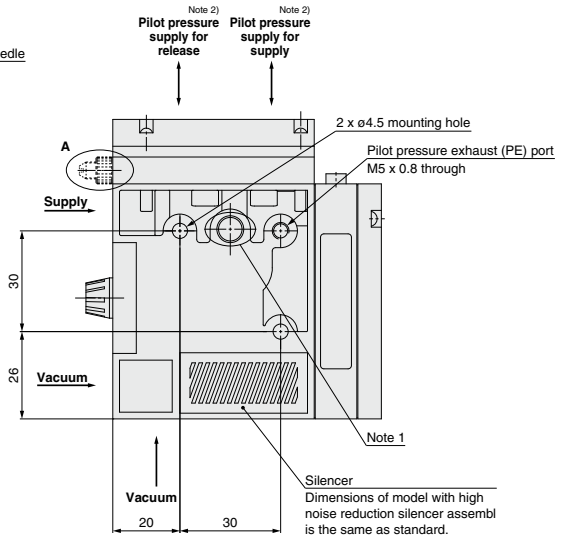
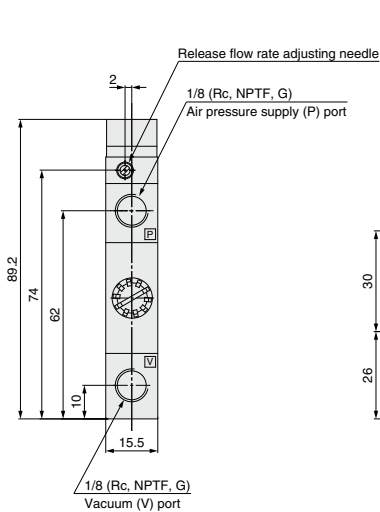
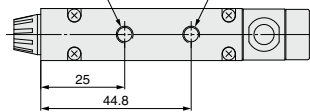
### A: Release flow rate adjusting needle with lock nut



(Needle fully open)

Pilot pressure supply port for release (PB) <sup>Note 2)</sup>  
M5 x 0.8

Pilot pressure supply port for supply (PA) <sup>Note 2)</sup>  
M5 x 0.8

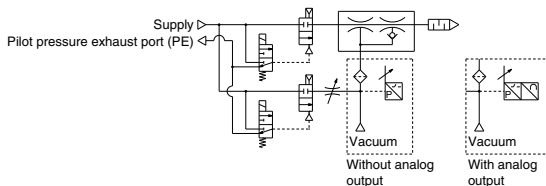


Note 1) This is a hole for using the manifold and single unit bodies in common, and it is not used for the single unit.  
 Note 2) The supply and release valves of this product have a structure which uses the pressure of the air pressure supply (P) port to operate them. Be sure to supply a pressure that is the pressure of the air pressure supply (P) port or more and 0.55 MPa or less to the pilot pressure supply (PA, PB) ports for supply and release.

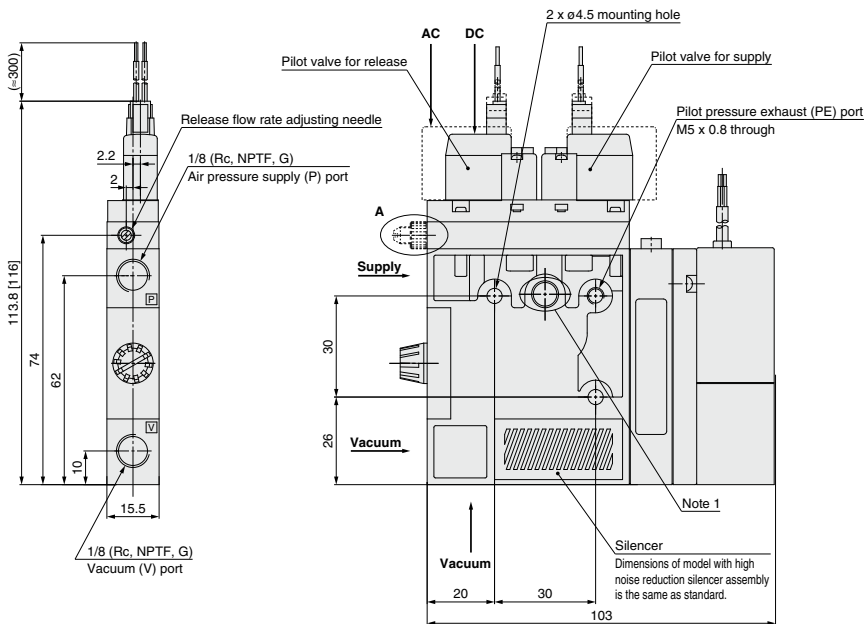
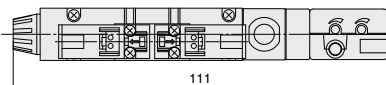
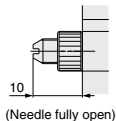
<Components>

## For Single Unit/With Valve Basic Type with Switch and Valve

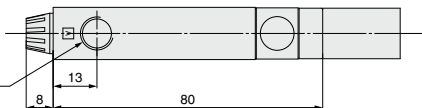
ZM□□□□<sup>H</sup><sub>M</sub>□□-K□□□□-E□<sub>S</sub>



A: Release flow rate adjusting needle with lock nut



1/8 (Rc, NPTF, G)  
Vacuum (V) port  
(Side entry style is equipped  
with plugs.)



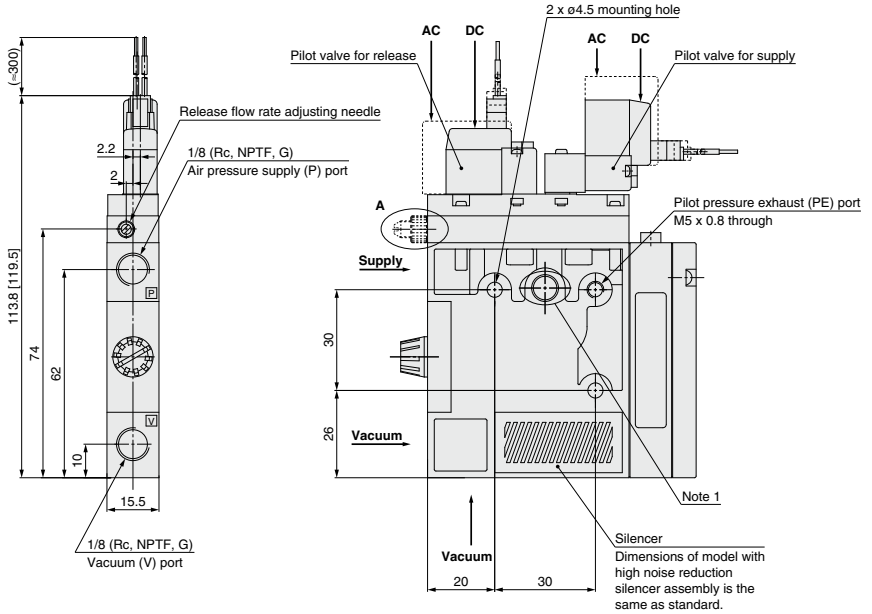
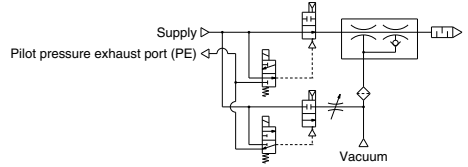
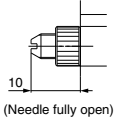
Note 1) This is a hole for using the manifold and single unit bodies in common, and it is not used for the single unit.  
Note 2) [ ] : AC

<Components>

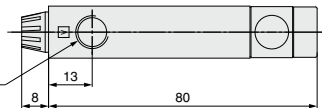
Single/With Air Supply Valve (N.O.) and Vacuum Release Valve **Basic Type with Valve**

ZM□1□□□<sup>H</sup><sub>M</sub>□□-B□□□□<sub>S</sub>

A: Release flow rate adjusting needle with lock nut

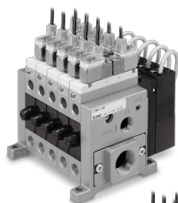


1/8 (Rc, NPTF, G)  
Vacuum (V) port  
(Side entry style is equipped  
with plugs.)



Note 1) This is a hole for using the manifold and single unit bodies in common, and it is not used for the single unit.  
Note 2) [ ]: AC

## Manifold Specifications: Series ZZM



### Manifold Specifications

<b>Manifold style</b>	Stacking
<b>Common air pressure supply port (P)*</b>	1/4 (Rc, NPTF, G)
<b>Individual air pressure supply port (P)*</b>	1/8 (Rc, NPTF, G)
<b>Common exhaust port (EXH)</b>	1/2, 3/4 (Rc, NPTF, G)
<b>Common exhaust port (EXH) location</b>	Right side/Left side/Both sides**
<b>Max. number of stations</b>	Max.10 stations
<b>Silencer</b>	ZZM-SA (With bolts)

\* The common air pressure supply port (P) and individual air pressure supply port (P) can be mounted together.

\*\* Right and left sides are viewed from the front side of vacuum port (V).

### Maximum Ejector Stations (Max. operable nos. simultaneously)

Ejector model	ZM053	ZM073	ZM103	ZM133	ZM153
Manifold model	ZM054	ZM074	ZM104	ZM134	ZM154
ZZM [Stations] - □ R	10	8	5	4	3
ZZM [Stations] - □ B	10	10	8	6	5

\* Effective area of external silencer is 160 mm<sup>2</sup>.

## How to Order Ejector Manifold

ZZM 06 - □ 06 R - R

Multi-ejector  
Series ZM  
Manifold

Number of stations

01	1 station
⋮	⋮
05	5 stations
⋮	⋮
10	10 stations (Max.)

\* By viewing the front side of vacuum (V) port, stations are counted starting from station 1 on the left side.

Thread type

NII	Rc
T	NPTF
F	G (Note)

Note) G thread  
The thread ridge shape is compatible with the G thread standard (JIS B0203), but other shapes are not conforming to ISO16030 and ISO 1179.

Common air pressure supply (P) port location\*\*

NII	Both sides
R	Right side
L	Left side

\*\* Right and left sides are viewed from the front side of vacuum port (V).

Common exhaust port (EXH) and silencer location\*\*

NII	None (When the common exhaust (EXH) port size is "00")
R	Right side
L	Left side
B	Both sides

\*\* Right and left sides are viewed from the front side of vacuum port (V).

Common exhaust (EXH) port size

04	1/2
06	3/4
S	Silencer for ZZM (ZZM-SA)

The asterisk (\*) indicates the ejector model no. below the manifold base no. Prefix it to the vacuum ejector part numbers to be mounted. When it is not added, products are shipped separately.

Example)

ZZM06-06R ..... 1 pc.

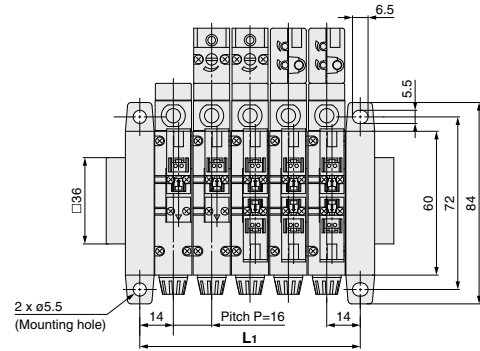
\* ZM103H-J5LZ(-Q) ..... 3 pcs.

\* ZM133H-J5LZ(-Q) ..... 3 pcs.

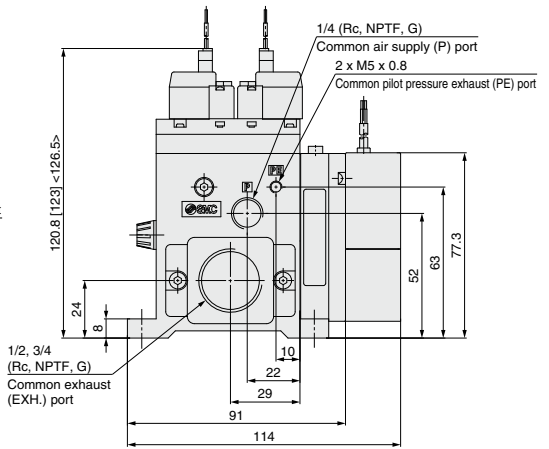
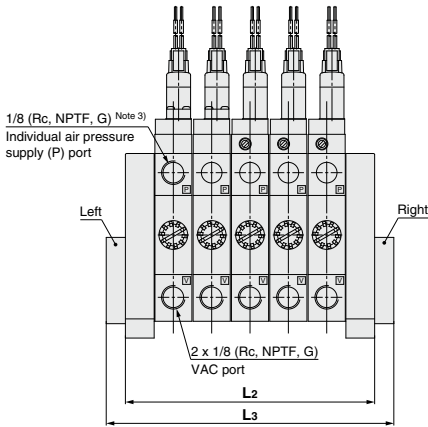
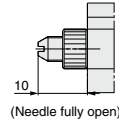


**Manifold**

**ZZM** [Number of ejectors] - [Common EXH port] [Port location]

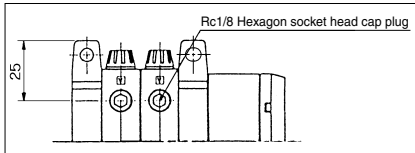


**A: Release flow rate adjusting needle with lock nut**



Note 1) [ ] for N.C., AC type  
 Note 2) < > for N.O., AC type  
 Note 3) For individual supply specifications

**Vacuum port electrical entry (In the case of side entry/With plug at the bottom)**



Stations		1	2	3	4	5	6	7	8	9	10
L	L1	28±1.5	44±1.5	60±1.5	76±1.5	92±1.5	108±2.0	124±2.0	140±2.0	156±2.0	172±2.0
	L2	40±1.5	56±1.5	72±1.5	88±1.5	104±1.5	120±2.0	136±2.0	152±2.0	168±2.0	184±2.0
L3	ZZM□□-□SB-□	104±1.5	120±1.5	136±1.5	152±1.5	168±1.5	184±2.0	200±2.0	216±2.0	232±2.0	248±2.0
	ZZM□□-□S□-□	72±1.5	88±1.5	104±1.5	120±1.5	136±1.5	152±2.0	168±2.0	184±2.0	200±2.0	216±2.0
	ZZM□□-□04B-□	52±1.5	68±1.5	84±1.5	100±1.5	116±1.5	132±2.0	148±2.0	164±2.0	180±2.0	196±2.0
	ZZM□□-□04B□-□	46±1.5	62±1.5	78±1.5	94±1.5	110±1.5	126±2.0	142±2.0	158±2.0	174±2.0	190±2.0
	ZZM□□-□06B-□	56±1.5	72±1.5	88±1.5	104±1.5	120±1.5	136±2.0	152±2.0	168±2.0	184±2.0	200±2.0
	ZZM□□-□06□-□	48±1.5	64±1.5	80±1.5	96±1.5	112±1.5	128±2.0	144±2.0	160±2.0	176±2.0	192±2.0

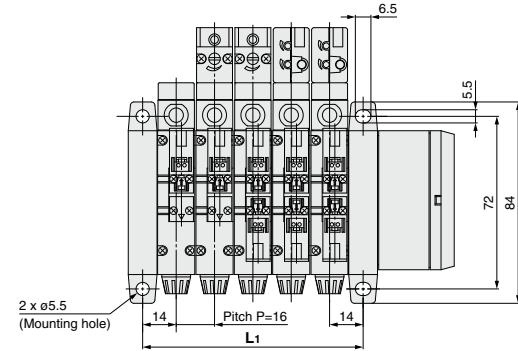
[mm]

# Series ZM

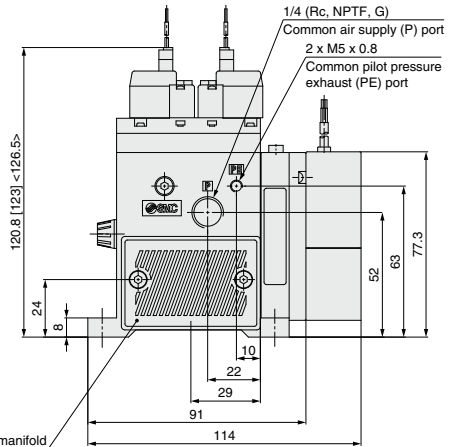
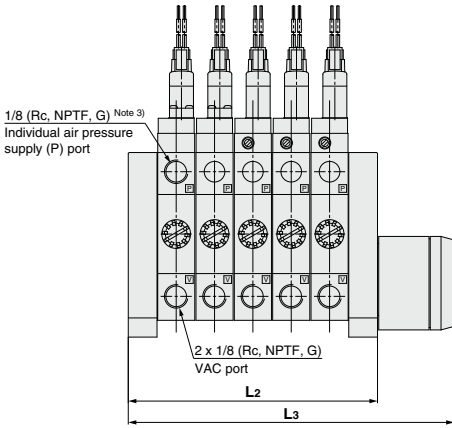
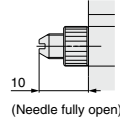
<Components>

## Manifold/With Silencer **Manifold with Silencer Dedicated for Manifold**

ZZM [Number of ejectors] - S [Silencer location]



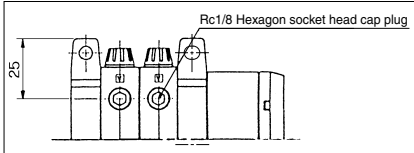
A: Release flow rate adjusting needle with lock nut



Silencer dedicated for manifold (ZZM-SA)

Note 1) [ ] for N.C., AC type  
 Note 2) < > for N.O., AC type  
 Note 3) For individual supply specifications

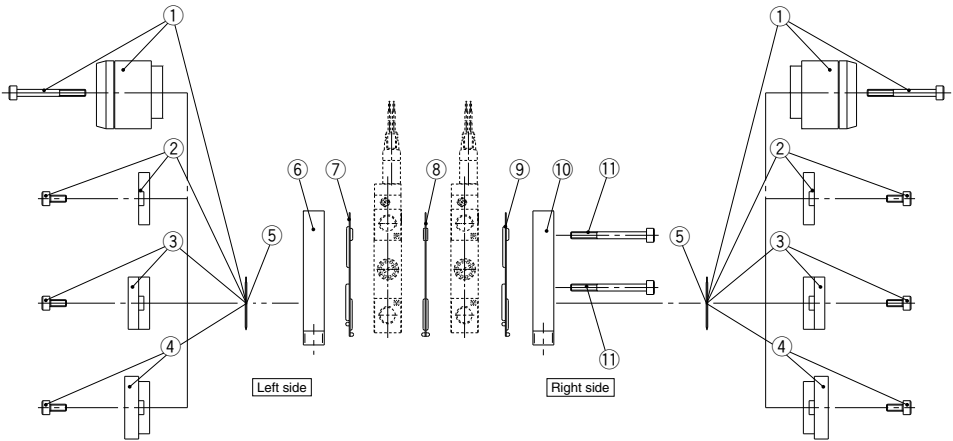
### Vacuum port electrical entry (In the case of side entry/With plug at the bottom)



Stations		1	2	3	4	5	6	7	8	9	10
L1	L1	28±1.5	44±1.5	60±1.5	76±1.5	92±1.5	108±2.0	124±2.0	140±2.0	156±2.0	172±2.0
	L2	40±1.5	56±1.5	72±1.5	88±1.5	104±1.5	120±2.0	136±2.0	152±2.0	168±2.0	184±2.0
L3	ZZM□□-□SB-□	104±1.5	120±1.5	136±1.5	152±1.5	168±1.5	184±2.0	200±2.0	216±2.0	232±2.0	248±2.0
	ZZM□□-□S□-□	72±1.5	88±1.5	104±1.5	120±1.5	136±1.5	152±2.0	168±2.0	184±2.0	200±2.0	216±2.0
	ZZM□□-□04B-□	52±1.5	68±1.5	84±1.5	100±1.5	116±1.5	132±2.0	148±2.0	164±2.0	180±2.0	196±2.0
	ZZM□□-□04□-□	46±1.5	62±1.5	78±1.5	94±1.5	110±1.5	126±2.0	142±2.0	158±2.0	174±2.0	190±2.0
	ZZM□□-□06B-□	56±1.5	72±1.5	88±1.5	104±1.5	120±1.5	136±2.0	152±2.0	168±2.0	184±2.0	200±2.0
	ZZM□□-□06□-□	48±1.5	64±1.5	80±1.5	96±1.5	112±1.5	128±2.0	144±2.0	160±2.0	176±2.0	192±2.0

[mm]

**Component Parts for Manifold**



**(1)**

Stations	Manifold part no.	Clamp rod part no.
1	ZZM01-□□□□	ZZM-CR-01
2	ZZM02-□□□□	ZZM-CR-02
3	ZZM03-□□□□	ZZM-CR-03
4	ZZM04-□□□□	ZZM-CR-04
5	ZZM05-□□□□	ZZM-CR-05
6	ZZM06-□□□□	ZZM-CR-06
7	ZZM07-□□□□	ZZM-CR-07
8	ZZM08-□□□□	ZZM-CR-08
9	ZZM09-□□□□	ZZM-CR-09
10	ZZM10-□□□□	ZZM-CR-10

**(2)**

Manifold part no.	Adapter A		Adapter B		Silencer		Blanking plate	
	Left	Right	Left	Right	Left	Right	Left	Right
ZZM□□-□04R-□		○						○
ZZM□□-□04L-□	○							○
ZZM□□-□04B-□	○	○						
ZZM□□-□06R-□				○				○
ZZM□□-□06L-□			○					○
ZZM□□-□06B-□			○	○				
ZZM□□-□SR-□						○	○	
ZZM□□-□SL-□						○		○
ZZM□□-□SB-□						○	○	
ZZM□□-□00								○

**(3)**

No.	Model	Description	Quantity	Note
1	ZZM-SA	<b>Silencer assembly</b>	*	
2	ZZM-BP	<b>Blanking plate assembly</b>	*	
3	ZZM-ADA-□	<b>Adapter A assembly</b>	*	Common exhaust (EXH) port Size: 04 (Note 1)
4	ZZM-ADB-□	<b>Adapter B assembly</b>	*	Common exhaust (EXH) port Size: 06 (Note 1)
5	ZZM-GE	<b>Gasket E</b>	2	
6	ZZM-EPL-□	<b>End plate L</b>	1	Note 1)
7	ZZM-GBL	<b>Gasket BL</b>	1	
8	ZZM-GBB	<b>Gasket BB</b>	Station: 1	
9	ZZM-GBR	<b>Gasket BR</b>	1	
10	ZZM-EPR-□	<b>End plate R</b>	1	
11	ZZM-CR-□□	<b>Clamp rod</b>	1	Refer to Table (1), (Note 2)

\* The used quantity varies depending on the part number.

Note 1) □: Symbol corresponding to the port thread type.

Note 2) Clamp rods consist of a set of 2 pcs.

# Made to Order Specifications 1

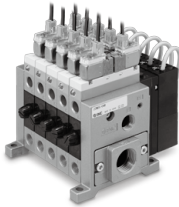
Please contact SMC for detailed specifications, dimensions, and delivery.



## 1 Double Check Valve/For Manifold

Single: ZM  Nozzle diameter  Body  Supply pressure  — Valve voltage  Electrical entry  — X107   
 ↓ Double check valve

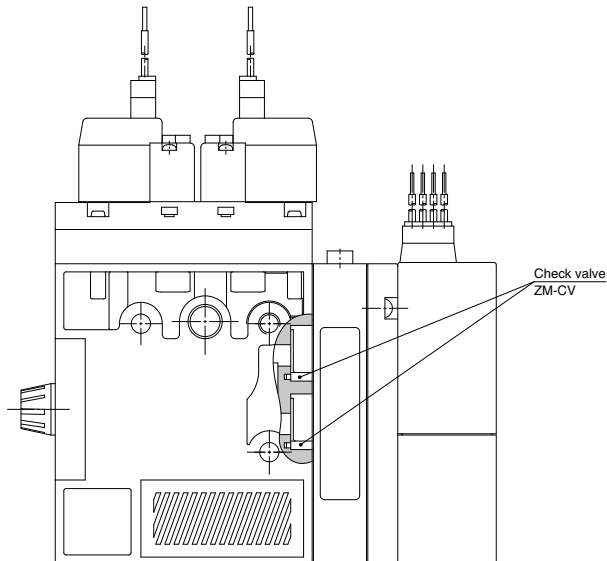
When a manifold is used, the exhaust that is discharged to the silencer could flow out to the vacuum (V) port side. To reduce this, a check valve is used.



### ⚠ Warning

1. It cannot be used for maintaining a vacuum.
2. Use a vacuum release valve. (Compatible with valve K, B and Q5 types only.) (The workpiece cannot be released without a vacuum release valve.)
3. Compatible with the manifold specifications only.

## Construction





## 2 With Individual Exhaust Spacer

Single: ZM [Nozzle diameter] [Body] [Supply pressure] — X111 — [CE-compliant]  
 ↓ Individual exhaust spacer

When using an individual ejector in a clean room, the exhaust can be discharged outside of the clean room by attaching an individual exhaust spacer. (The spacer can also be installed when using a manifold. Please contact SMC for mounting dimensions.)

\* It is possible to manufacture it with a valve and a switch.



Exhaust spacer assembly: ZM — SP — [ ]

↓ Thread Type

Nil	Rc
T	NPTF
F	G

### ⚠ Caution

To connect a pipe to the exhaust port, do not use an elbow joint because it creates resistance and prevents the system from attaining a sufficient vacuum.

When the product is used to prevent the manifold exhaust intrusion, exhaust intrusion may occur if exhaust pipes are put together.

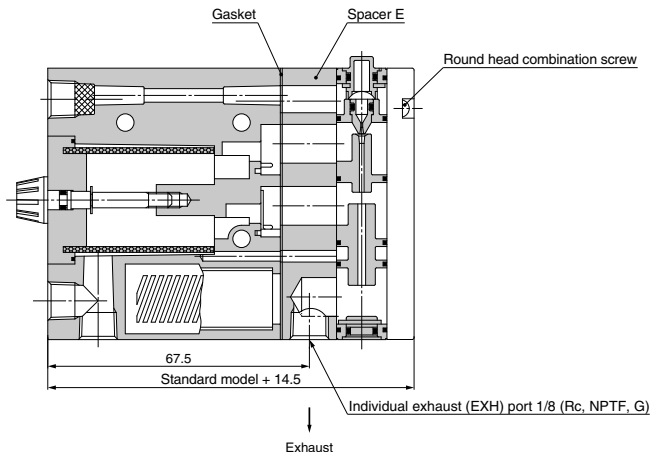
When this special product is used for all manifold stations, the following part number can be used.

ZZM [ ] — 00 — [ ]  
 ↓ Stations  
 Without exhaust ports on both sides  
 ↓ Common air pressure supply (P) port location\*

Nil	Both sides
R	Right side
L	Left side

\* To the left or right when the vacuum (V) port is viewed from the front

## Construction



Please contact SMC for detailed specifications, dimensions, and delivery.



### 3 Double Solenoid Supply Valve

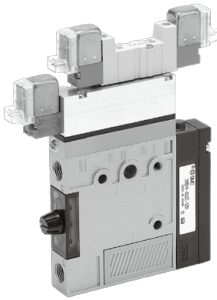
Single: ZM | Nozzle diameter | Body | Supply pressure | Valve voltage | Electrical entry | X126

◆ Double solenoid supply valve

-X126	With release valve (Valve K type only)
-X135	Without release valve (Valve J type only)

This is an air supply pilot valve that is made with double solenoids.

\* It is possible to manufacture it with a switch.



\* When the valve voltage is 100 or 110 VAC, only the M plug connector can be selected as the electrical entry method.

### Construction

