

# Air Tank AT Series



Symbol

## ⚠️ Precautions

Be sure to read this before handling the products.  
Refer to back page 50 for Safety Instructions and pages 6 to 8 for Air Preparation Equipment Precautions.

### Precautions

#### ⚠️ Caution

- Use outside Japan is not allowed.**  
The AT series air tank is in compliance with the regulations in Japan (Pressure Vessel Structure), but is not in compliance with related regulations outside Japan.
- Do not lose the Class 2 Pressure Vessel Certificate.**  
The AT series is in compliance with the regulations in Japan (Class 2 Pressure Vessel). The Class 2 Pressure Vessel Certificate will be sent in 2 to 4 weeks after the product is shipped. Please keep it in a safe place. In addition, be sure to conduct annual independent inspections and keep copies of the results for 3 years.
- About the anchor bolts for securing the product**  
The calculation results for post-installed anchors will change depending on the state of the installation surface, so be sure to conduct your own calculations taking the actual installation conditions into consideration.
- The inner surface of the air tank is not coated.**  
Install a filter on the outlet side if needed.  
There is a stainless steel specification, an inner surface anti-corrosive treatment type, and other special order options available.  
In addition, products with a change in coating, products with a change in the port size of each socket, products with a change in mounting position, and a horizontal type product are also available as special orders. Please contact SMC separately for details.
- The air tank is an indoor specification.**  
It cannot be used outdoors.
- Use the pressure gauge within the 0 to 45°C range.**  
The max. operating temperature of the pressure gauge that comes with the standard model is 45°C. If the temperature of the air tank exceeds 45°C, provide a heat radiator such as a pipe siphon, etc., between the air tank and the pressure gauge.

### Model/Standard Specifications

Model	AT6C	AT11D	AT22D	AT37D	AT55D	AT75D	AT125D	AT150C <sup>(1)</sup>	AT220C <sup>(1)</sup>
<b>Fluid</b>	Compressed air								
<b>Tank capacity (L)</b>	100	200	400	500	700	1000	1500	2000	3000
<b>Max. operating pressure (MPa)</b>	0.97								
<b>Port size</b>	Rc 1/2	Rc 3/4		Rc 1 1/2	2B flange <sup>(2)</sup>		3B flange <sup>(2)</sup>		4B flange <sup>(2)</sup>
<b>Set pressure for safety valve (MPa)</b>	0.97								
<b>Proof pressure (Under water pressure) (MPa)</b>	1.46								
<b>Fluid temperature (°C)</b>	0 to 100 (For the type with auto drain: 0 to 60°C)								
<b>Material</b>	Steel plate (SS400)						Steel plate (SS400, SM490B)		
<b>Weight (kg)</b>	55	115	180	205	275	395	505	775	965
<b>Coating color</b>	Surface: Munsell N-5.5, Inner surface: Non coated								
<b>Ⓢ Safety valve (1 pc.)</b>	R 1/2	R 3/4		R 1 1/4	R 1 1/2		R 2		
<b>Ⓢ Valve for drainage (1 pc.)</b>	Rc 1/2								
<b>Ⓢ Pressure gauge (1 pc.)</b>	R3/8 D2 shape								
<b>Ⓢ L type anchor bolt (4 pcs.)</b>	M16 x L250						M16 x L500	M24 x L500	

Note 1) Manufactured upon receipt of order

Note 4) This product is for indoor use only and not to be used outdoors.

Note 2) JISB2220 (JIS 10K FF flange)

Note 5) As this product is a Class 2 Pressure Vessel, conduct an annual

Note 3) The accessories should be mounted by user.

self inspection and safely store the inspection results for 3 years.

### Option<sup>(Note 1)</sup> (Accessory)

Model	Auto drain	Companion flange
AT6C		—
AT11D		—
AT22D		—
AT37D		—
AT55D	AD402-04	2 <sup>B</sup> JIS 10K FF flange
AT75D		—
AT125D		3 <sup>B</sup> JIS 10K FF flange
AT150C		4 <sup>B</sup> JIS 10K FF flange
AT220C		—

### Replacement Part<sup>(Note 2)</sup>

Model	Pressure gauge	Gasket for cleaning hole	Gasket for manhole
AT6C		—	
AT11D		—	
AT22D		—	
AT37D		—	
AT55D	AT-SA001	411419	—
AT75D		—	
AT125D		—	
AT150C		—	412013
AT220C		—	—

Note 1) The accessories should be mounted by user. (Order with the part number.)

Note 2) Parts other than the replacement parts cannot be shipped individually.

### How to Order

AT 22D - 14

**Tank capacity**

Symbol	Applicable compressor (kW)	Capacity (L)
6C	5.5	100
11D	11	200
22D	22	400
37D	37	500
55D	55	700
75D	75	1000
125D	125	1500
150C	150	2000
220C	220	3000

#### Option (Accessory)

Symbol	Description
Nil	—
D	With auto drain
F	Companion flange
DF	With auto drain, companion flange

Note) For F and DF, only AT55D to AT220C can be selected.

#### Port size

Symbol	Size	Applicable model
04	Rc 1/2	AT6C
06	Rc 3/4	AT11D
14	Rc 1 1/2	AT22D, 37D
20	2 <sup>B</sup> JIS 10K FF flange	AT55D, 75D
30	3 <sup>B</sup> JIS 10K FF flange	AT125D
40	4 <sup>B</sup> JIS 10K FF flange	AT150C, 220C

### Related Product

Refer to page 1022 for details.

This is a small capacity air tank to which a booster valve can be connected directly in a compact manner. It is not compatible with the Class 2 Pressure Vessel requirement. The air tank can be used as a single unit.

Model	VBA05A	VBA10A	VBA20A	VBA38A
Tank capacity (L)	5	10	20	38

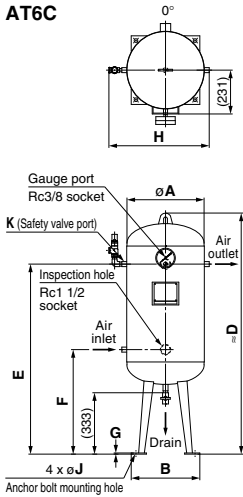
#### ⚠️ Caution

When used as a single unit and pressurized at over 1 MPa at normal temperatures (the booster valve is not connected), the air tank falls under the scope of the "High Pressure Gas Safety Act" in Japan.

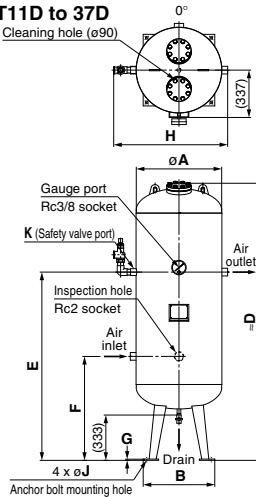


## Dimensions

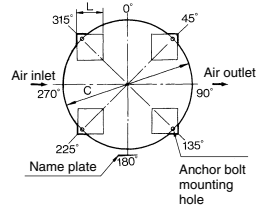
### AT6C



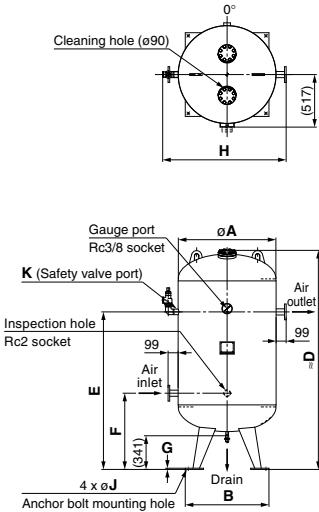
### AT11D to 37D



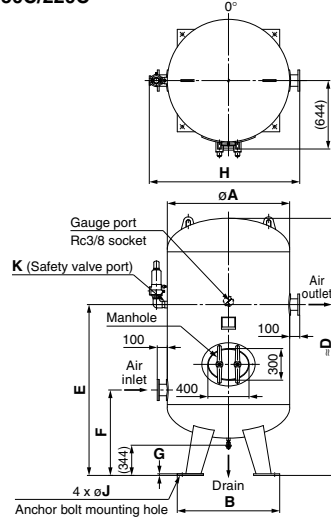
### ORIENTATION (Nozzle direction) AT6C to 220C



### AT55D to 125D



### AT150C/220C



Model	Air connection		øA	B	øC	=D	E	F	G	=H	øJ	K	L	Anchor bolt
	Socket	Flange												
AT6C	Rc 1/2	—	408.4	361	440	1268	1000	550	6	528	19	Rc 1/2	80	M16 x L250
AT11D	Rc 3/4	—	611	510	650	1266	945	645	9	751	19	Rc 3/4	110	M16 x L250
AT22D	Rc 1 1/2	—	611	510	650	1986	1340	740	9	812	19	Rc 1 1/4	110	M16 x L250
AT37D	Rc 1 1/2	—	611	510	650	2286	1340	740	9	812	19	Rc 1 1/4	110	M16 x L300
AT55D	—	2 <sup>B</sup> JIS 10K FF flange	964	824	1080	1557	1100	750	12	1215	19	Rc 1 1/2	180	M16 x L300
AT75D	—	2 <sup>B</sup> JIS 10K FF flange	964	824	1080	2167	1550	750	12	1215	19	Rc 1 1/2	180	M16 x L300
AT125D	—	3 <sup>B</sup> JIS 10K FF flange	964	824	1080	2777	1650	750	12	1240	19	Rc 2	180	M16 x L500
AT150C	—	4 <sup>B</sup> JIS 10K FF flange	1218	1019	1300	2558	1700	850	16	1495	27	Rc 2	260	M24 x L500
AT220C	—	4 <sup>B</sup> JIS 10K FF flange	1218	1019	1300	3288	1700	850	16	1495	27	Rc 2	260	M24 x L500