



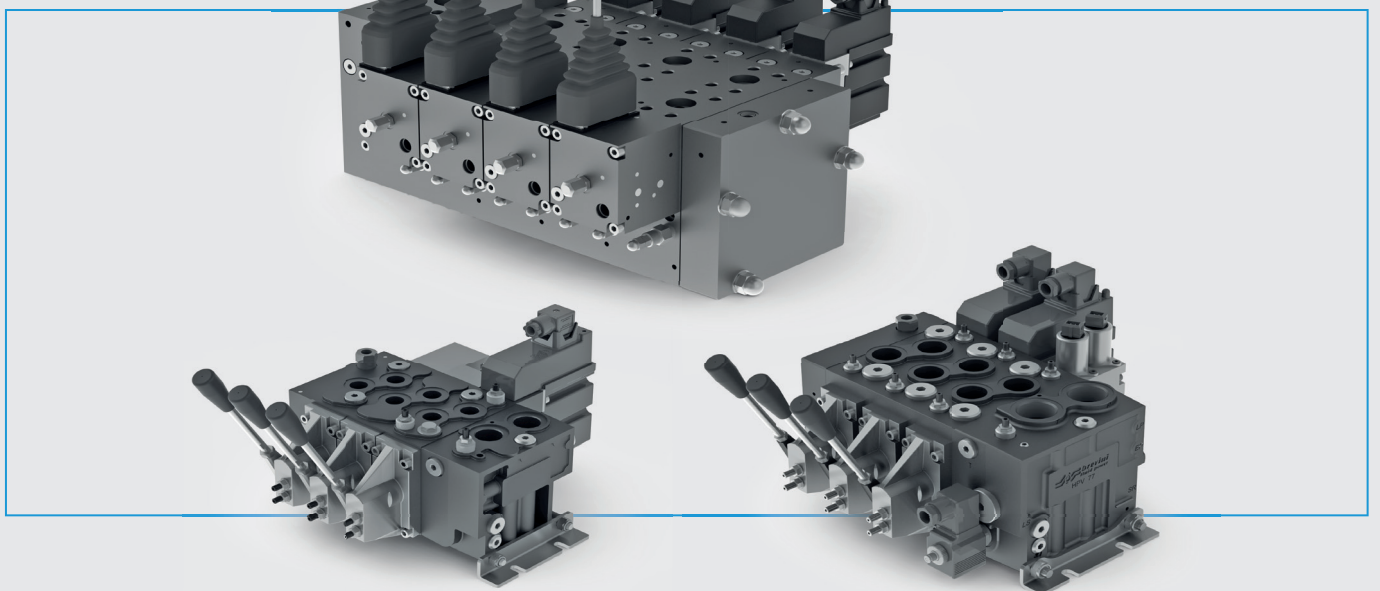
**BREVINI<sup>®</sup>**

*Motion Systems*

## HPV41-HPV77-HPV310 PROPORTIONAL DIRECTIONAL VALVES

**Technical Catalogue**

September  
**2019**





# Table of contents

---

Introduction .....	A-2
ATEX modules .....	A-3
Marking and products identification .....	A-4
<b>HPV41 until 140 l/min [37 US gpm]</b>	
Inlet section Open Centre and Closed Centre .....	B-1
Technical data .....	B-8
HPV41 Composition form .....	B-21
Order form .....	B-23
HSE inlet sections .....	B-27
HEM working sections .....	B-38
HSC end sections .....	B-88
Stay bolts kit .....	B-94
Spare parts seals kits .....	B-98
<b>HPV77 until 200 l/min [58 US gpm]</b>	
Inlet section Open Centre and Closed Centre .....	C-1
Technical data .....	C-8
HPV77 Composition form .....	C-25
Order form .....	C-27
HSE inlet sections .....	C-31
HEM working sections .....	C-43
HSC end sections .....	C-88
Stay bolts kit .....	C-97
Spare parts seals kits .....	C-102
<b>HPV310 until 550 l/min [145 US gpm]</b>	
Technical data .....	D-1
HPV310 Composition form .....	D-9
Order form .....	D-11
HSE inlet section .....	D-14
HEM working sections .....	D-23
HSC end sections .....	D-42
HSRR stay bolts kit .....	D-45
Spare parts seals kits .....	D-48
<b>Electrical connections</b>	
Electrical connections scheme .....	E-2

© 2019 Dana Motion Systems Italia S.r.l. all rights reserved. Hydr-App, SAM Hydraulik, Aron, Brevini Hydraulics, BPE Electronics, VPS Brevini, OT Oiltechnology, logos are trademarks or are registered trademarks of Dana Motion Systems Italia S.r.l. or other companies of the Dana in Italy and other countries.

The technical features supplied in this catalogue are non binding and no legal action can be taken against such material. Dana will not be held responsible for information and specifications which may lead to error or incorrect interpretations. Given the continuous technical research aimed at improved technical features of our products, Dana reserves the right to make change that are considered appropriate without any prior notice. This catalogue cannot be reproduced (in whole or in part) without the prior written consent of Dana. This catalogue supersedes all previous ones.

Use of the products in this catalogue must comply with the operating limits given in the technical specifications. The type of application and operating conditions must be assessed as normal or in malfunction in order to avoid endangering the safety of people and/or items.

# Introduction

Optimised performances and integration of the greatest number of functions are the objectives planned and achieved through the development of the HPV valves, a range of the latest generation of proportional directional valves that perform two simultaneous functions: directional control and flow control that is unaffected by load variations.

Their operation is based on the proportional hydraulic principle, i.e. keeping the pressure drop constant through a variable section.

The HPV spool can assume an infinite number of positions making the crossing areas infinitely variable, thus regulating the flow in relation to the pressure difference ( $\Delta p$ ) throughout the entire operating range. By means of logical selection, an LS signal (feedback) is taken from the highest pressure ports and it's sent to the flow-pressure regulator in the inlet section (if the circuit operates with a fixed displacement pump) or directly to the Load Sensing pump (for a closed centre circuit).

As long as the circuit senses the  $\Delta p$ , the valve will maintain its proportionality properties. Instead, if  $\Delta p$  tends to decrease, for example if actuator flow demand exceeds the overall pump flow (multiple simultaneous operations), the flow to the ports will be completely random, and in any case will tend to flow toward the actuators which will work at the lowest pressure values.

The baric compensation provided by the two-way pressure compensators installed on each element, allows multiple operations to be performed at the same time without reciprocal effects. On the other hand, operating at the same time elements without compensators, the flows will vary in relation to the work pressure values.

## The main hydraulic features of the HPV valve are summarised below:

- Flow control (metering) is independent from load, therefore the flow provided at the ports does not change with a variation in work pressure of the utilities they control.
- The flow of each function is independent from the simultaneous work pressures, thus allowing simultaneous operations to be carried out without reciprocal effects.
- Electrical unloading of the LsA and LsB signals on each element.
- Excellent flow control characteristics, without dead bands.
- Symmetrical distribution, that allows the position of the manual control to be reversed with all servocontrols.
- Precise and safe remote controls (hydraulic, proportional electrohydraulic) that are easy to install.
- Operation with both fixed displacement and variable displacement pumps with Load Sensing regulator.
- Remote control of operating pressure of each port.
- Internal pilot line supply.
- Externally fed hydraulic manipulators.
- Possibility of lowering the stand-by pressure of the pump (only with the open centre version).

## Mineral oil hydraulic fluids

All mineral oil fluids are more or less suitable for use.

The properties required for such fluid include:

- high viscosity index
- low yield point
- high thermal stability
- high hydrolytic stability (minimum formation of corrosive phenomena in the presence of water)
- excellent anti-wear, anti-corrosion and demulsification properties.

The requirements described above are generally met by the normal mineral oil fluids designated as HPL and HVLP according to DIN 51524.

## Ecological hydraulic fluids

Considering the minimum requirements according to DIN 51524, the HPV can also be used with vegetal oil hydraulic fluids HGT (cole or rape oil) without particular precautions. Vegetal-based fluids can be mixed with mineral oils; however, it should be recalled that if the oil is changed, only the part consisting of the vegetal oil is biodegradable. The polyglycol biodegradable oils HPG or synthetic phosphoric ester biodegradable fluids HPDR can be used with the HPV, replacing the usual gaskets with those made with FPM (Viton). Therefore, when ordering, we recommend to indicate the use of the HPV with these types of synthetic fluids. It should also be pointed out that the synthetic fluids cannot be mixed with mineral oils.

## Hydraulic fluid filtering

It has been widely demonstrated that efficient hydraulic equipment operation depends to a great extent on the degree of contamination of the circulating oil.

Today, users require hydraulic plants to have:

- high performances
- operating precision
- sensitive controls
- reduced maintenance expenses without giving up extended plant service life.

Carefully considering these requirements, it can be understood that specific filtering measures are needed with high-quality filtering elements to satisfy such conditions. The maximum degree of contaminations for particles tolerated in HPV proportional directional valves cannot be greater than contamination class 9 according to NAS 1638 (20/18/15 according to ISO 4406). This required purity class is generally achieved using filters with a retention capacity of  $\beta_{20} \geq 100$ . Our experience suggests that a pressurised filter with a nominal rating of nominal 20  $\mu\text{m}$  or absolute 10  $\mu\text{m}$  is suitable to maintain the required oil cleaning parameters. In addition, it is always recommended to use pressurised filters with a clogging indicator.

The HPV are equipped with some built-in filters which are not suitable to filter the oil of the entire hydraulic circuit, but only some pilot lines order to protect some important components of the HPV against large-sized contaminating particles. The internal filters of the load sensing line and the low-pressure line are easy to replace and are available as spare parts.

## Safety instructions ATEX modules

Before installation, please carefully read what is illustrated in the instruction manual attached to the electro-hydraulic modules. All the maintenance operations must be carried out in accordance with what is shown in the manual.

All the installation and maintenance operations must be carried out by qualified personnel.

The modules can be combined with each other in a number that varies up to a maximum of sixteen, in order to monitor 8 HEM elements of HPV distribution.

When modules are individually supplied (not as a complete MHOX-HEM or MHPX-HEM valve), the customer has to verify the compatibility and suitability for use in the place of installation / use.

The MHOX and MHPX electro-hydraulic modules must be used in environments with low mechanical risk or it is necessary to ensure the presence of a suitable mechanical protection against a high degree of mechanical risk for the solenoid valves.

The MHOX, MHPX and MHFOX modules must be installed and maintained in accordance with the system and maintenance standards in environments classified against the risk of explosion due to the presence of gas, vapours or combustible powders (e.g. : EN 60079-14, EN 60079-17, EN 61241-14, EN61241-17 or other national norms/standards).

The solenoid valves must be earthed by means of a suitable anti-loosening and anti-rotation connection placed on the coil connector; after the connection, check the correct earthing with a continuity meter.

To make the connections to the process, the user must use metallic or anti-static tubes.

The user must provide a temperature monitoring system for the hydraulic fluid (mineral oil, phosphorous esters, water-glycol

or water-oil mixtures) in such a way as not to exceed fluid temperature shown in label.

In the case of combustible powders provision must be made for the regular cleaning and removal of layers with suitable equipment, in order to limit the formation of layers.

For the safety aspects linked to the use of the coils, see the solenoid valve safety instructions; the coils must not be open when live.

The user must periodically check the level of encrustation, cleanliness, the state of wear and tear and the correction functioning of the valves, in accordance with the conditions of use and substances.

## Methods of use and maintenance

### Use

- Observe the functional limits shown in the technical characteristic section and those indicated in the solenoid safety instructions if they are restrictive.
- The oil used must be a part of the category of oils specified by the manufacturer and its level of contamination must be kept with the limits indicated.

### Maintenance

- The user must periodically check, depending on the conditions of use and substances, the presence of encrustations, cleanliness, the state of wear and tear and the proper functioning of the valves.
- If the O-rings are damaged, replace them only with those specifically provided by the manufacturer.

### Methods of conveying and storing

The user must guarantee a correct transport and storage of the module, in order to not compromise the specific characteristics of the protection way and the good operation

In particular, don't enliven the module raising it through the cable connected to the connector.

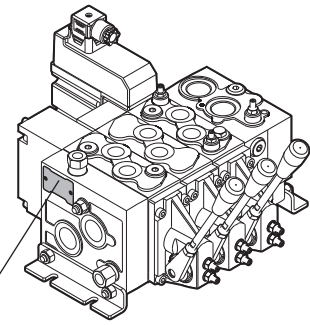
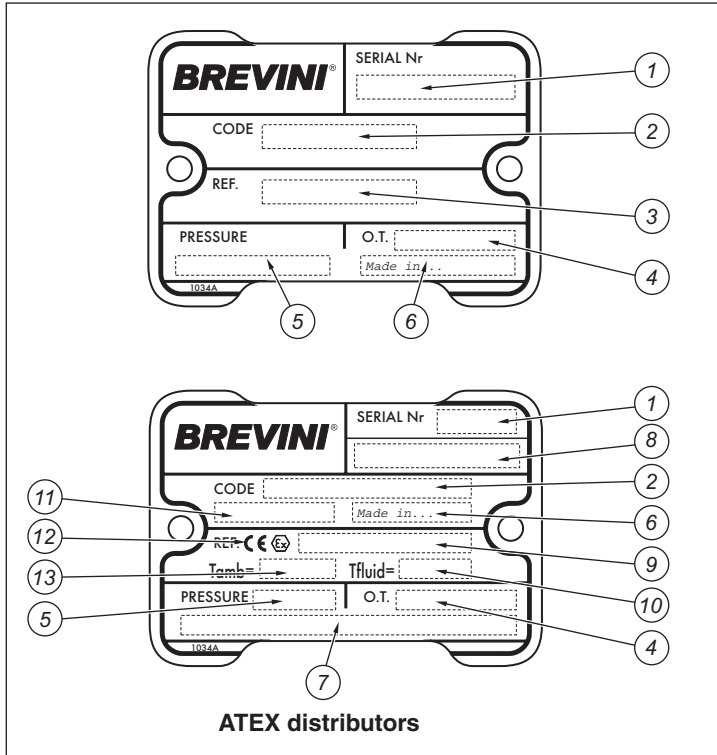
# Marking and products identification

## Registered mark plate for HPV distributors

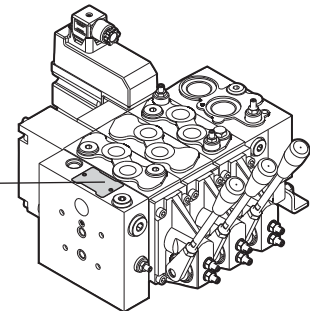
The registered mark plate provides all technical information on design and operating features, **it must be kept intact and visible**.

## Registered mark and identification ATEX products

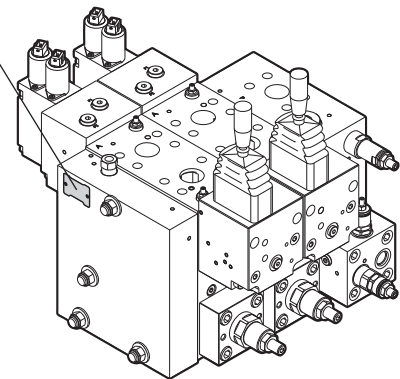
The distributors and the modules are equipped with a **Registered mark plate and a Declaration of conformity**, according to 94/4/EC Directive, reporting all the characteristic features regarding operation and identification.



HPV41 - HPV77 distributors



HPV distributors with HSIF interface

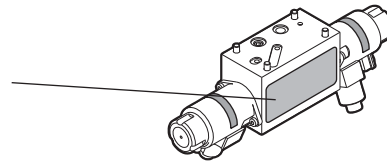
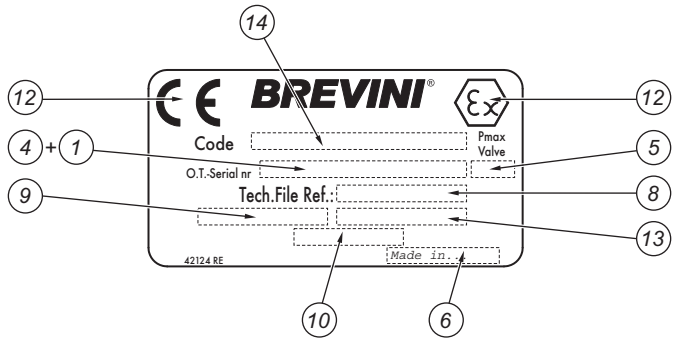


HPV310 distributors

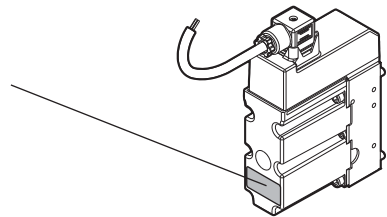
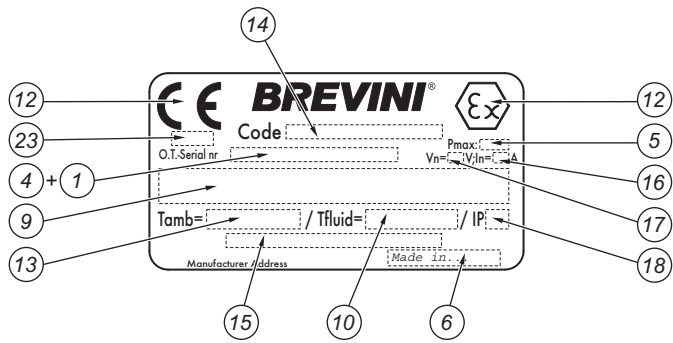
Ref.	Description
1	Serial Nr: serial number
2	Code: product code
3	Ref: customer code
4	O.T.: batch number
5	Pressure: max working pressure
6	Made in ... : preferential origin
7	Manufacturer adress
8	ATEX certificate number
9	ATEX marking
10	Working fluid temperature
11	Product serie
12	CE marking in accordance with the ATEX directive
13	Working ambient temperature
14	Ordering code
15	ATEX certified number and IECEx certified number
16	Max nominal current
17	Max nominal voltage
18	IP protection degree
19	Product serie + "HEM" if assemblen on a working section HEM
20	Max working pressure of the HEM section
21	Working ambient temperature (printed with X)
22	Working fluid temperature (printed with X)
23	Notified number authority

Dangerous areas		ATEX categories	EPL
Gas, vapor or mist	Zone 0	1G	Ga
Gas, vapor or mist	Zone 1	2G or 1G	Gb or Ga
Gas, vapor or mist	Zone 2	3G, 2G or 1G	Gc, Gb or Ga
Dust	Zone 20	1D	Da
Dust	Zone 21	2D or 1D	Db or Da
Dust	Zone 22	3D, 2D or 1D	Dc, Db or Da
Mine	—	M1	Ma
Mine	—	M2	Mb or Ma

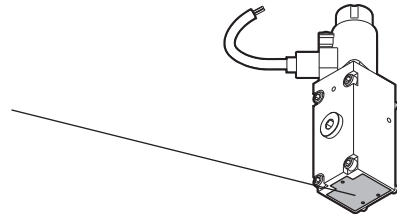
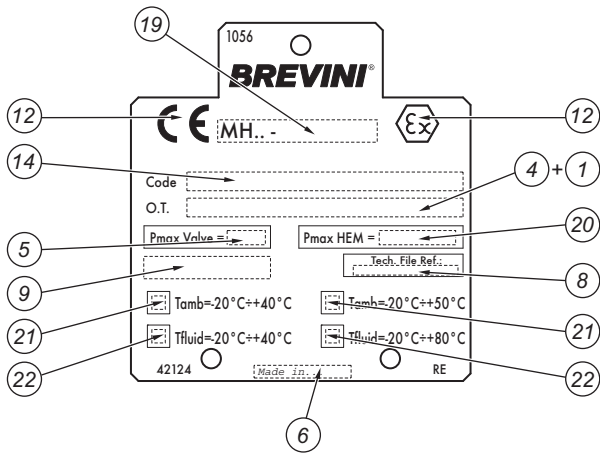
# Marking and products identification



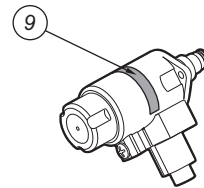
**MHFOX  
HSEVX**



**MHOFX - MHPCX  
MHPODX - MHPEDX**



**MHOX-MHPX**

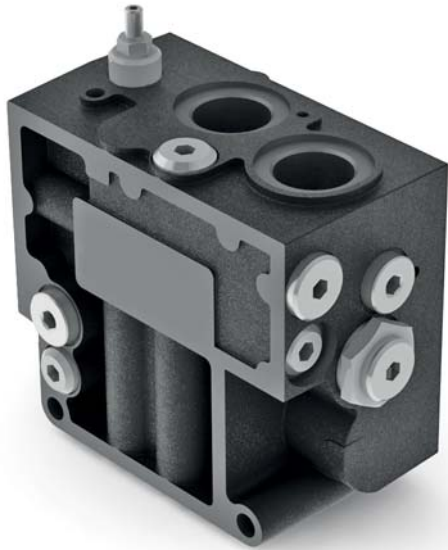


**HSEVX**





# Inlet section Open Centre and Closed Centre



## Standard HSE inlet sections

The inlet sections are available in two versions:

- **open centre for use with fixed displacement pumps**
- **closed centre for use with load-sensing pumps**

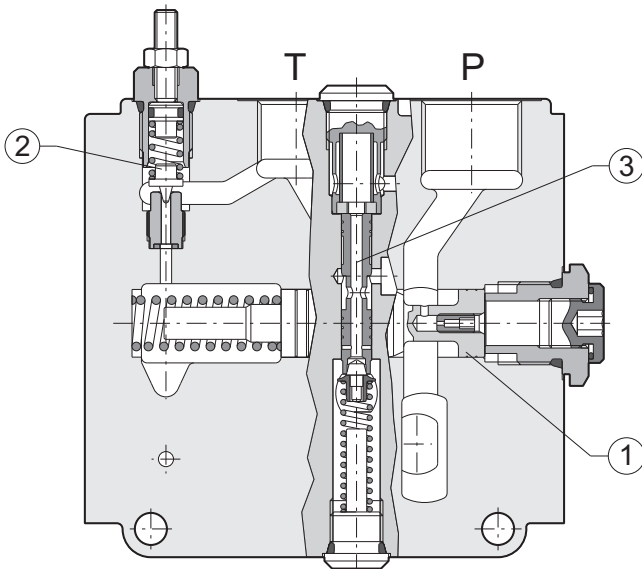
In the **open centre** versions, when the spool is not working, the flow/ pressure regulator - pos. 1 - unloads to T the entire pump flow (see characteristic curves).

Otherwise, when the spool is working, it will feed the controlled element or elements, adapting instantaneously to the actual flow required by the ports and unloading any excess flow at the highest pressure of that moment to the tank.

By changing two internal pilot lines, the section is converted into a **closed centre** version. In the closed centre versions, the regulator - pos. 1 - only maintains the pressure regulator function, becoming the first stage of the main pressure relief valve pos. 2, which must be calibrated to about 30 bar [435 psi] more than the maximum work pressure.

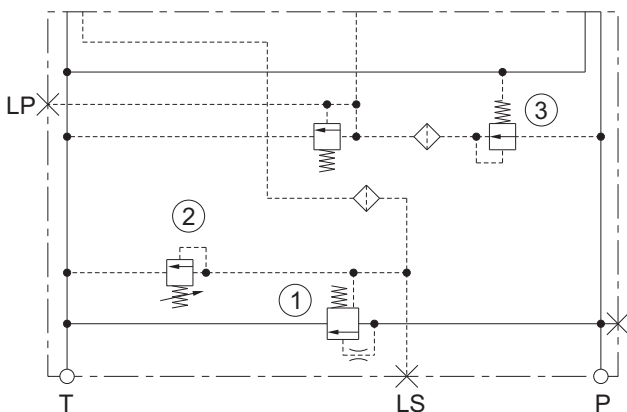
Both versions can be supplied with the pressure reduction valve - pos. 3 - where originates a low pressure line (18-22 bar - 261 ÷ 319 psi) that feeds the MHPED electrohydraulic modules or also the same hydraulic manipulators. Obviously, if the valve is only equipped with manual control, the pressure reduction valve is not required.

HPV 41

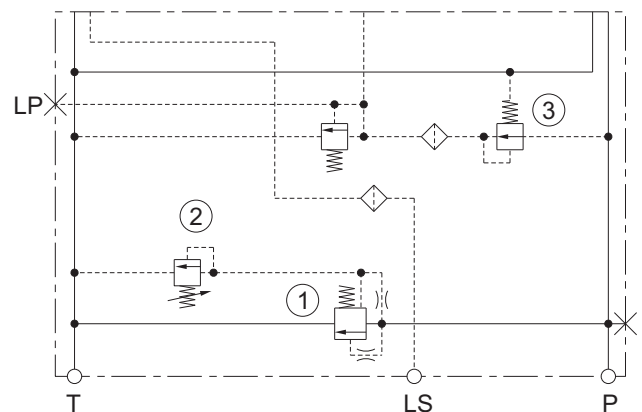


Standard HSE inlet section

1	3 way flow regulator
2	Pilot pressure relief valve
3	Pressure reduction valve
Lp	Low pressure port, 18 ÷ 22 bar [261 ÷ 319 psi]



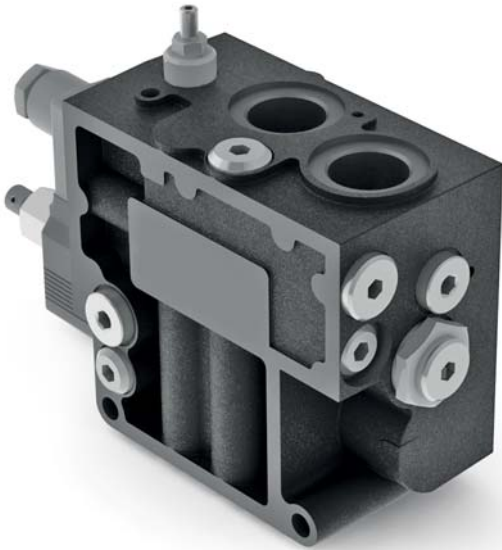
open centre



closed centre

# Inlet section Open Centre and Closed Centre

HPV 41



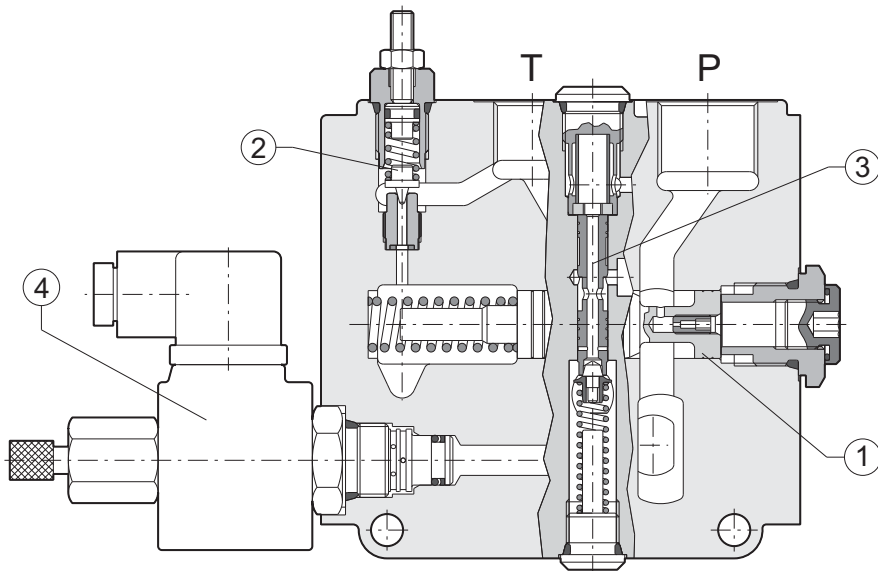
## Standard HSE inlet sections with solenoid Ls unloading valve (CRP04HP)

All versions can be supplied with an Ls signal unloading solenoid valve - pos. 4. The solenoid valve can be normally open or normally closed. If it is activated during the work phases it immediately unloads the load sensing signal and subsequently stops all movements of the actuators.

In the open centre versions, the pump unloading pressure value is equal to the sum of the counterpressure acting on the T line plus the pressure required to open the flow/pressure regulator -pos. 1- to connect P to T (often from 8 to 15 bar - 116 to 218 psi).

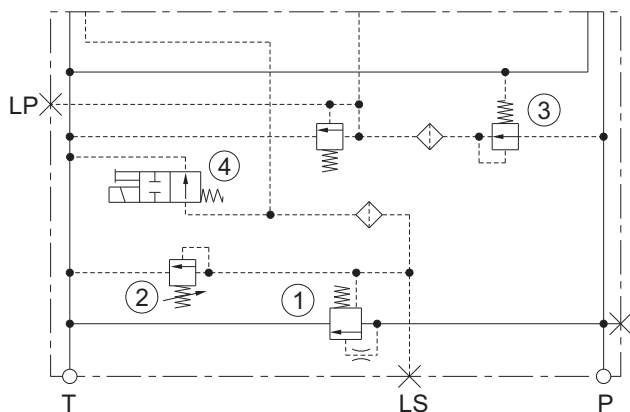
In the closed centre versions, unloading the Ls signal lowers the pressure in P at a value equal to the stand-by pressure at which the pump is regulated.

Using the solenoid Ls unloading valve on the inlet sections in the open and closed centre versions, we urge grate care in this method, because all functions requiring a lower working pressure, might be operated.

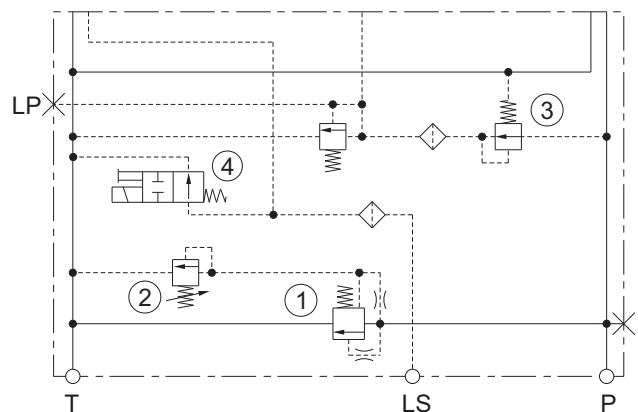


1	3 way flow regulator
2	Pilot pressure relief valve
3	Pressure reduction valve
4	Solenoid Ls unloading valve
Lp	Low pressure port, 18 ÷ 22 bar [261 ÷ 319 psi]

## Standard HSE inlet section with solenoid Ls unloading valve (CRP04HP)

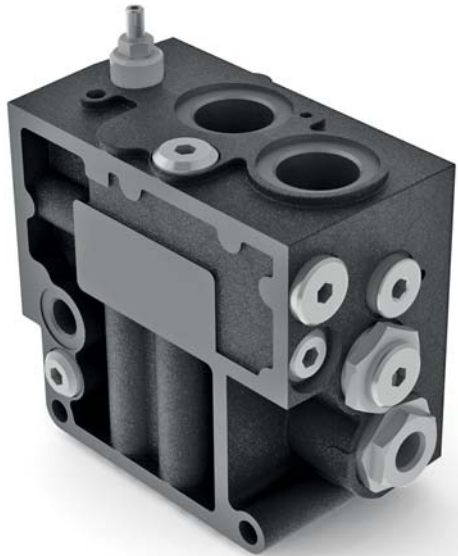


open centre



closed centre

# Inlet section Open Centre and Closed Centre



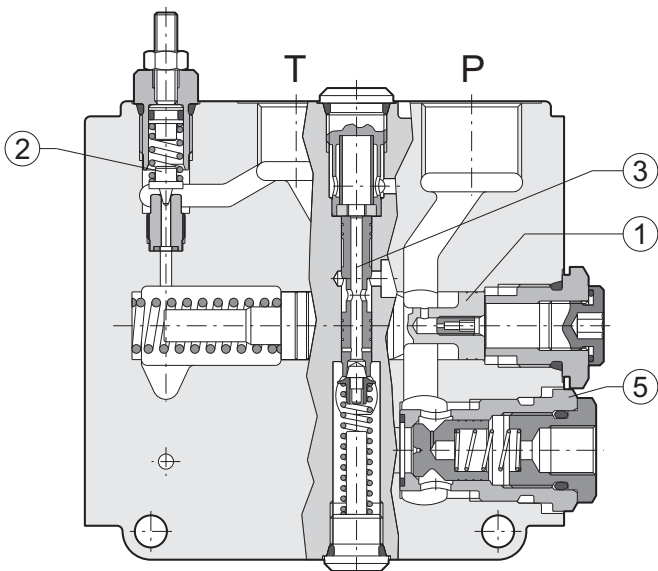
## Standard HSE inlet sections with pump unloading valve function (HSER)

In the open and closed centre versions, it is possible to mount a **remote-controlled cartridge logic element (pos. 5)** for rapid pump unloading, thus by-passing the flow/pressure regulator (pos. 1).

In this configuration, the pump unloading pressure value is equal to the sum of the counterpressure acting on the T line, plus the pressure required to open the HSER valve (0.6 bar - 8.7 psi) to connect P with T.

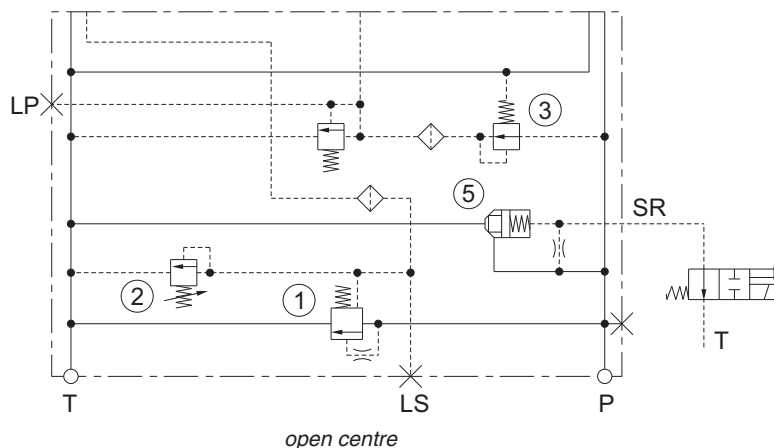
With this solution the  $\Delta p$  for pump unloading is much lower than what would be created instead using the Ls signal unloading solenoid valve (see characteristic curves).

HPV 41



1	3 way flow regulator
2	Pilot pressure relief valve
3	Pressure reduction valve
5	Cartridge logic element, HSER
Lp	Low pressure port, 18 ÷ 22 bar [261 ÷ 319 psi]

## Standard HSE inlet section with pump unloading valve function (HSER)



# Open center systems

With the spools 15 in the central position, the Ls line, the chamber on the spring side of the flow/pressure regulator (1A) and the chamber on the spring side of the pressure compensator (11) are connected with the exhaust core (T), allowing the pump flow to be conveyed to the tank through the flow/ pressure regulator (1A).

The pump flow, the spring load of the flow/pressure regulator (1A) and the counterpressure acting on the exhaust line (T), determine the pump free circulation pressure (See characteristic curves).

When the spool (15) is activated, the port selected is placed in communication with line P1 and the work pressure through line Ls is sent to the flow/pressure regulator (1A).

The flow obtained will only depend on the crossing area of the spool and the relative  $\Delta p$  that will be created along the spool adjustment range.

If two or more spools operating at different pressure values are activated at the same time, the pressure compensators (11) will keep the pressure drop constant ( $\Delta p$ ) and thus the flow on the spools (15) will be constant within the maximum pump flow range.

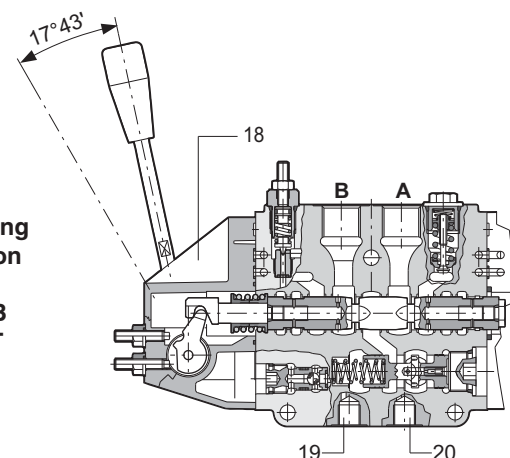
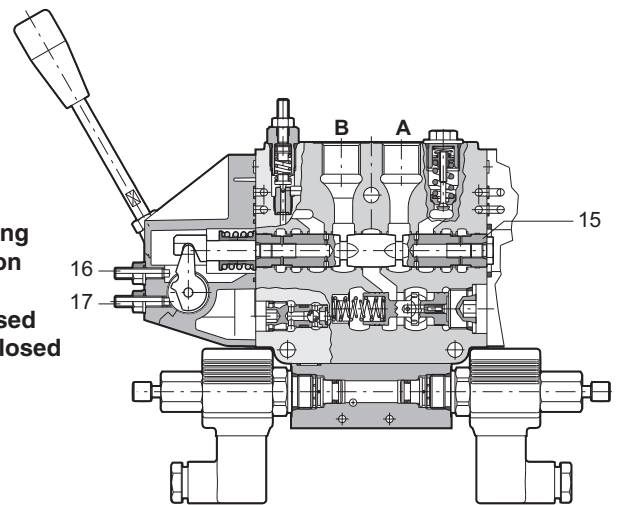
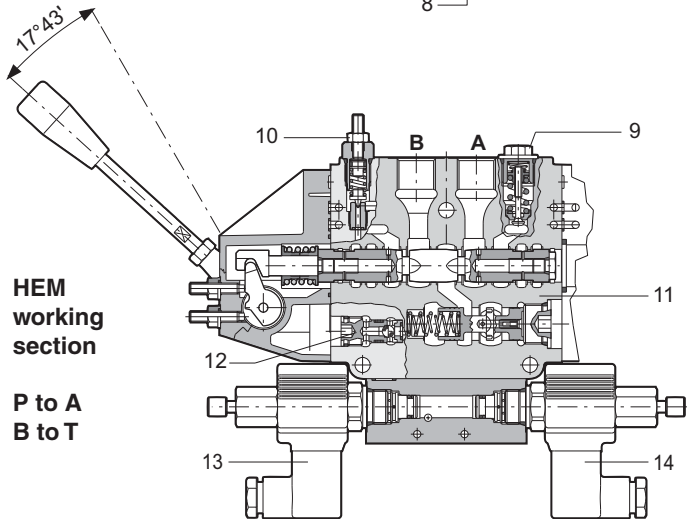
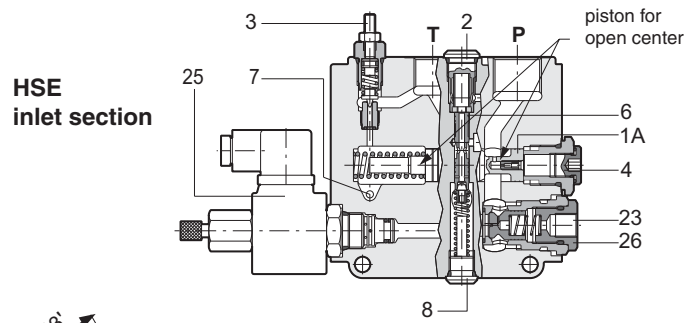
On the other hand, if two or more spools of elements without pressure compensators are activated simultaneously, the flow on the spools will not be constant but will vary according to the work pressures.

The Load Sensing pressure relief valves (10), using a small pilot line flow, precisely limit the pressure at ports A/B without wasting energy, unlike the anti-shock valve which also when unloading the entire flow of the spools, are very wasteful.

The on-off solenoid valves (13-14) which cut off the LsA and LsB pilot lines, if activated, instantaneously cancel the flow on the relative port.

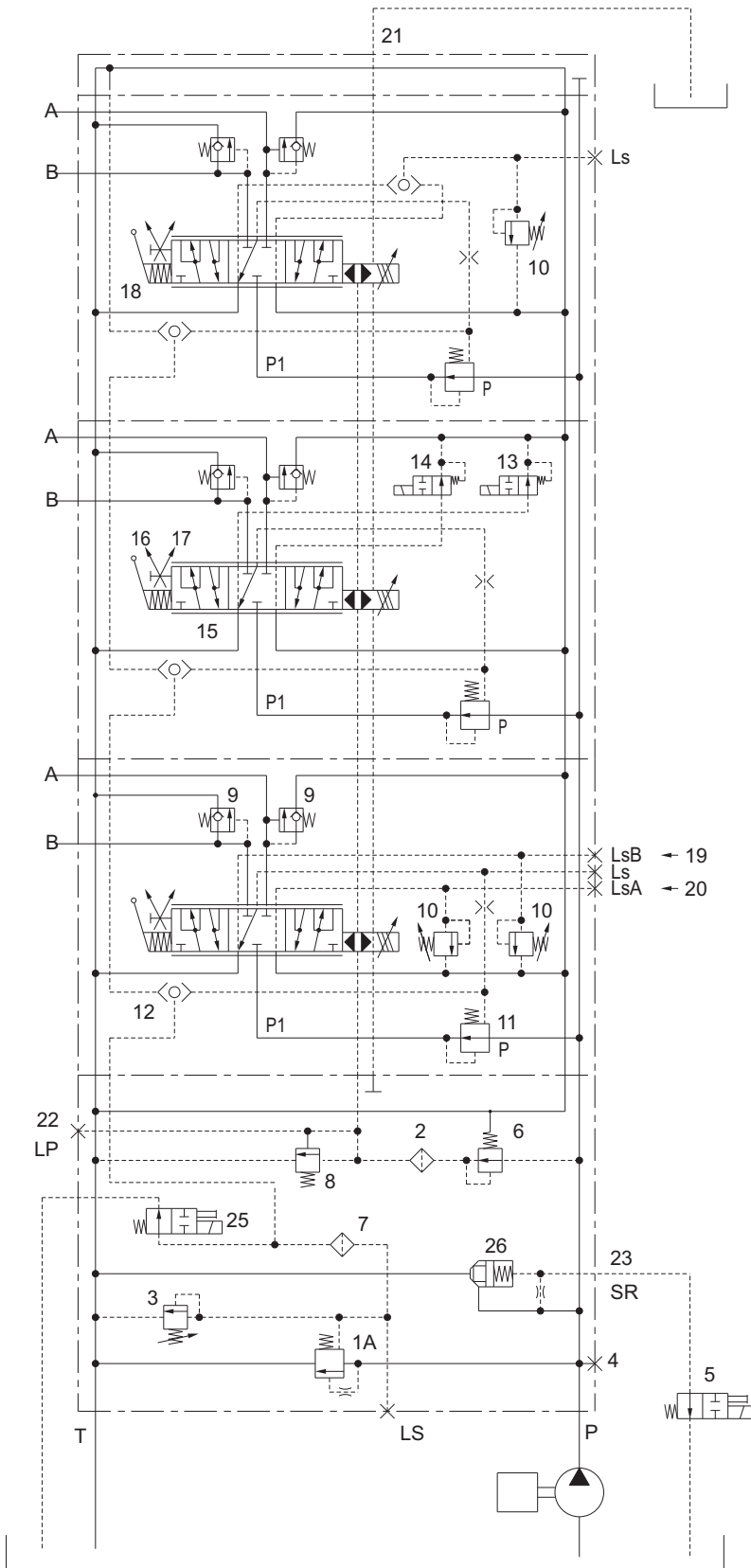
The pressure reduction valve (6) supplies a low pressure line (18-22 bar [261-319 psi]) which internally feeds the MHPE electrohydraulic modules and, externally, the hydraulic manipulators through the port 22.

The max. work pressures of ports A/B of each element can be remote controlled using the LsA and LsB pilot line ports.



HPV 41

# Open center systems



- 1A Flow/pressure regulator
- 2 Low pressure line filter
- 3 Main pressure relief valve
- 4 Pump pressure gauge port
- 5 Pump unloading valve
- 6 Pressure reduction valve
- 7 Load sensing line filter
- 8 Low pressure line relief valve
- 9 Shock and suction valve
- 10 Ls pressure relief valve
- 11 Pressure compensator
- 12 Shuttle valve
- 13 LsB signal unloading solenoid valve
- 14 LsA signal unloading solenoid valve
- 15 Spool
- 16 A port flow fine adjustment register
- 17 B port flow fine adjustment register
- 18 Cover for manual control kinematic motion
- 19 LsB pressure pilot line port
- 20 LsA pressure pilot line port
- 21 Drain port
- 22 Low pressure pilot line port
- 23 Pilot line, pump unloading valve
- 25 Ls signal unloading solenoid valve
- 26 Pump unloading valve

HPV 41

# Closed center systems

With the spools (15) in central position, the Ls line, the chamber on the spring side of the pressure compensators (11) and the pump flow/pressure regulator (24) are connected with the return line (T), allowing the pump to shift to the stand-by position.

When the spool (15) is activated, the port selected is placed in communication with line P1 and the work pressure through line Ls is sent to the pump flow/pressure regulator (24).

The flow obtained will only depend on the crossing area uncovered by the spool stroke and on the resulting  $\Delta p$ .

In this way the pump flow will adjust instantaneously to the actual flow required at the ports while keeping the differential pressure constant between the pump and the Ls signal.

The second stage of the pilot line pressure (3) must be set at 20-30 bar [290-435 psi] more than the maximum setting of the pump pressure/flow regulator (24).

If two or more spools operating at different pressure values are activated at the same time, the pressure compensators (11) will keep the pressure drop constant ( $\Delta p$ ) and thus the flow at the spools (15) will be constant within the maximum pump flow range.

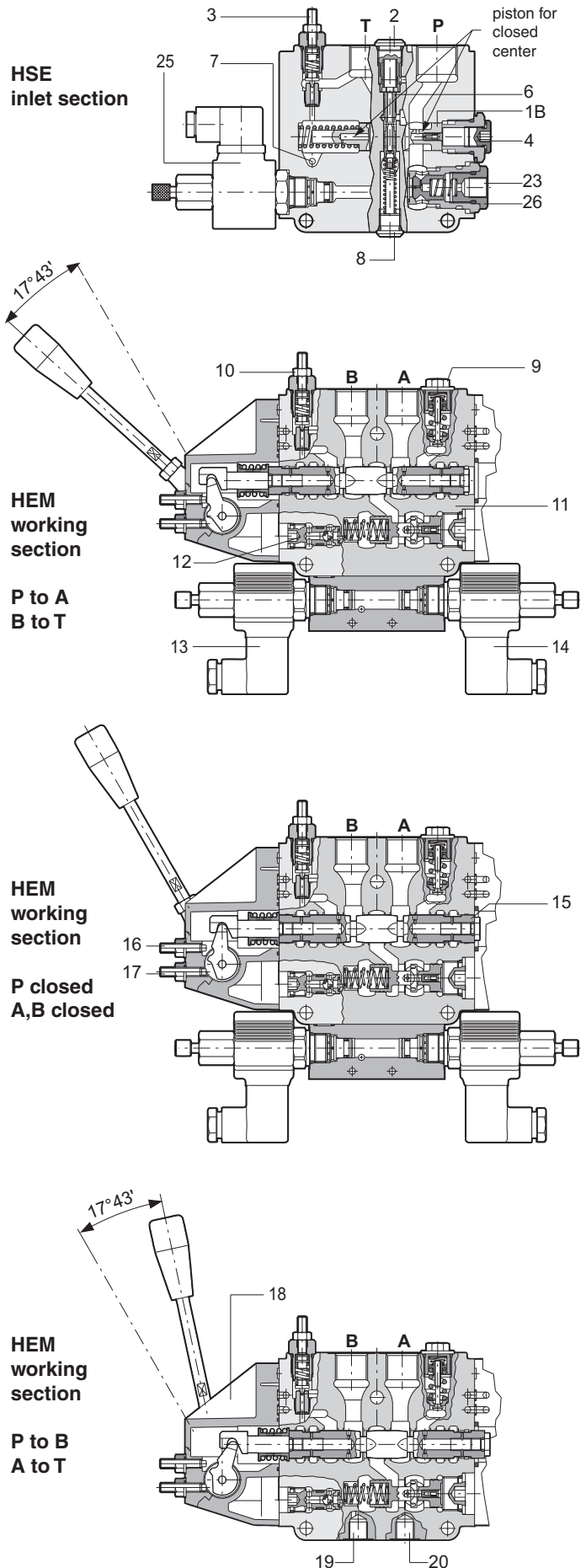
On the other hand, if two or more spools of elements without pressure compensators are activated simultaneously, the flow on the spools will not be constant but will vary according to the work pressures.

The Load Sensing pressure relief valves (10), activated by a small pilot flow, precisely limit the pressure at ports A/B with no energy dissipation, unlike the anti-shock valves which, also when unloading the entire flow of the spools, are very dissipative.

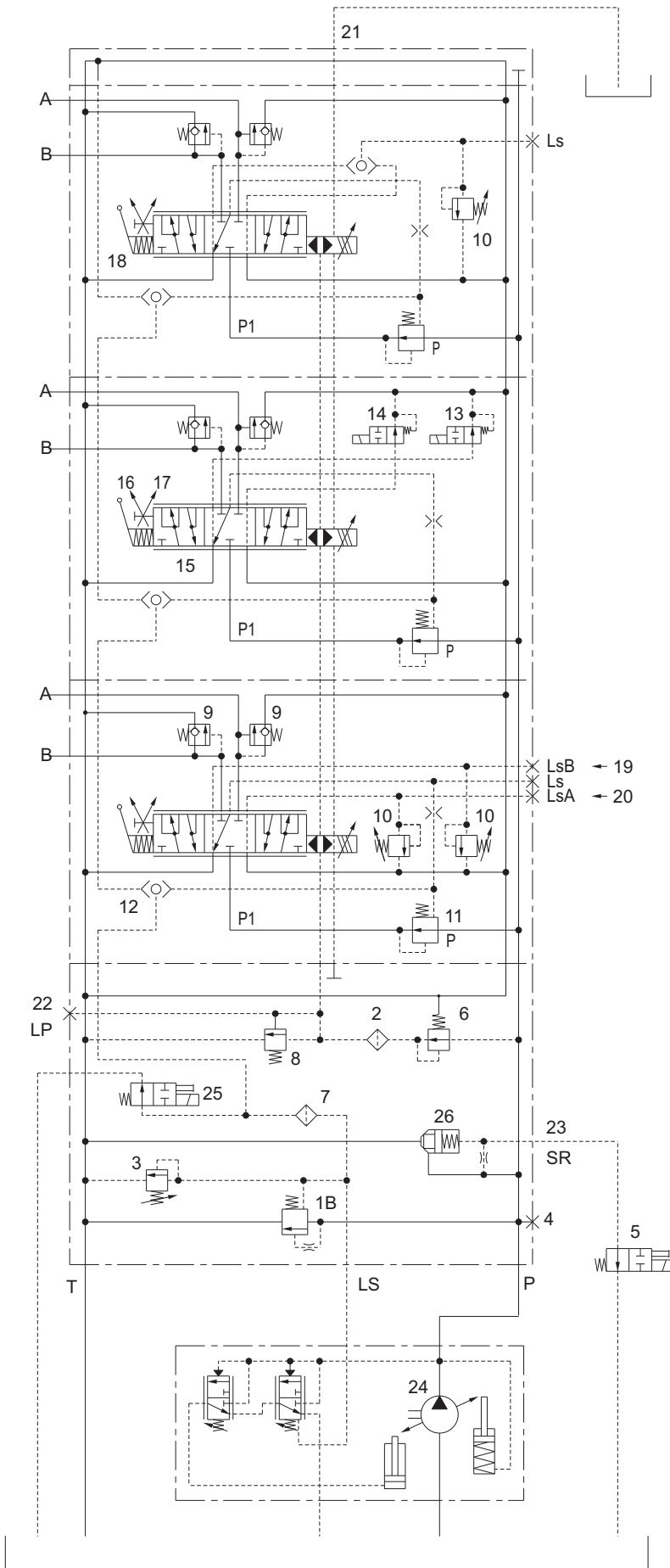
The on-off solenoid valves (13-14) which cut off the LsA and LsB pilot lines, if activated, instantaneously cancel the flow at the relative port.

From the pressure reduction valve (6) starts a low pressure line (18-22 bar [261-319 psi]) which internally feeds the MHPE electrohydraulic modules and, externally, the hydraulic manipulators through port 22.

The max. work pressures of A/B ports of each element can be remote controlled using the LsA and LsB pilot line ports.



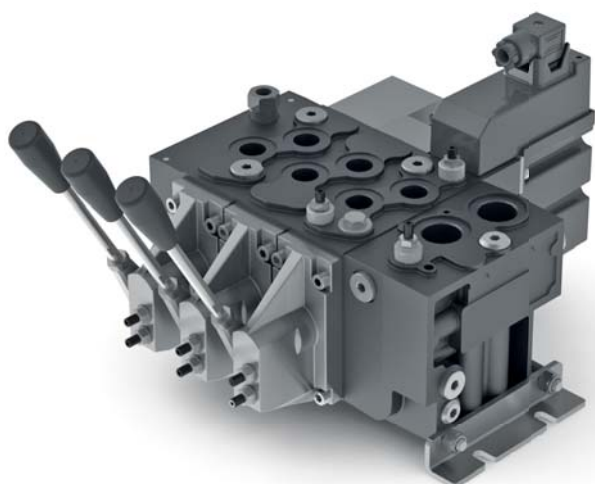
# Closed center systems



- 1B Pressure regulator first stage
- 2 Low pressure line filter
- 3 Main pressure relief valve
- 4 Pump pressure gauge port
- 5 Pump unloading valve
- 6 Pressure reduction valve
- 7 Load sensing line filter
- 8 Low pressure line relief valve
- 9 Shock and suction valve
- 10 Ls pressure relief valve
- 11 Pressure compensator
- 12 Shuttle valve
- 13 LsB signal unloading solenoid valve
- 14 LsA signal unloading solenoid valve
- 15 Spool
- 16 A port flow fine adjustment register
- 17 B port flow fine adjustment register
- 18 Cover for manual control kinematic motion
- 19 LsB pressure pilot line port
- 20 LsA pressure pilot line port
- 21 Drain port
- 22 Low pressure pilot line port
- 23 Pilot line, pump unloading valve
- 24 Pump flow/pressure regulator
- 25 Ls signal unloading solenoid valve
- 26 Pump unloading valve

**HPV 41**

# Technical data



HPV 41

## General features

The HPV proportional valves are proportional directional valves with two functional characteristics:

- Directional regulation.
- Flow regulation insensitive to the variation of the load applied to the actuator.

They can be remotely controlled and represent the most advanced technology in the world of applied hydraulics.

Proportional distributors differ in “open center” and “closed center”:

- Proportional open center distributors are used with fixed displacement pumps.
- The closed center proportional valves are used with variable displacement pumps with load sensing control.

## Hydraulic features

The hydraulic features reported below were measured using a mineral based hydraulic oil according to DIN 51524 or ISO 6743/4 with a viscosity of 25 mm<sup>2</sup>/s [130 SUS] at a temperature of 50 °C [122 °F]

Rated flow	HSE inlet section, P port		160 l/min	42 US gpm
	Mid inlet section, HFLS		250 l/min	66 US gpm
	A, B ports with pressure compensator		130 l/min	34 US gpm
	A, B ports without pressure compensator		140 l/min	37 US gpm
Max. working pressure	Connection P / P port	Pressure relief valve setting	400 bar	5800 psi
		Working pressure	370 bar	5370 psi
	Ports A, B		370 bar	5370 psi
	Connection Y		to tank	
	Connection T	Static	25 bar	363 psi
Dynamic		35 bar	508 psi	
Max. pilot pressure oil supply			18 ÷ 22 bar	260 ÷ 320 psi
Oil temperature	Recommended		-30 ÷ 60 °C	-22 ÷ +140 °F
	Min.		-25 °C	-13 °F
	Max.		+80 °C	+176 °F
Ambient temperature			-30 ÷ 60 °C	-22 ÷ +140 °F
Viscosity	Recommended		12 ÷ 80 mm <sup>2</sup> /s (cSt)	
	Min.		4 mm <sup>2</sup> /s (cSt)	
	Max.		460 mm <sup>2</sup> /s (cSt)	
Filtering	Max. contamination: class 9 according to NAS 1638 (20/18/15 according to ISO 4406)			
Stroke	Spool stroke		± 7 mm	± 0.276 in
	Proportional		± 5.5 mm	± 0.217 in
Dead band			± 1.5 mm	± 0.059 in
Nominal internal leakage at 180 bar (2611 psi)	A, B → T	Without anti-shock valves	23 cm <sup>3</sup> /min	1.40 in <sup>3</sup> /min
		With anti-shock valves	29 cm <sup>3</sup> /min	1.77 in <sup>3</sup> /min

HPV 41 internal (easy replacement) filters, mesh 100 µm.

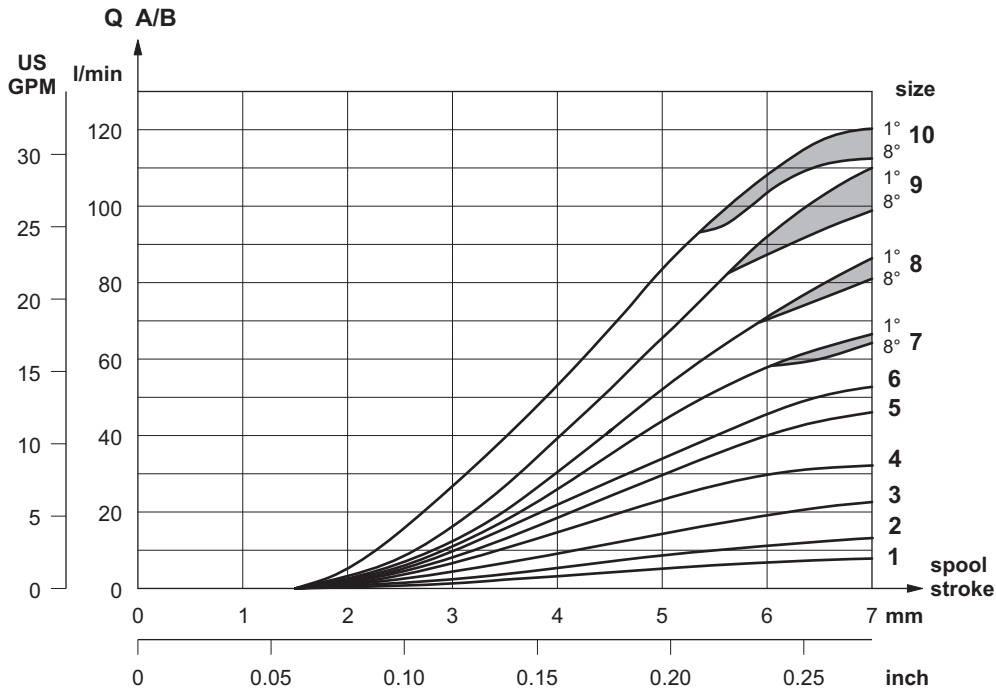
Mineral oil hydraulic fluid: according to DIN 51524 and 51525 or ISO 6743/4. HPV 41 can also be used with phosphorous esters (HFDR), water-glycol /HFC) or water-oil (HFB) mixes, subject to our Technical Dept. approval.

Hydraulic control - MHPH module			
Pilot pressure	Start	4.5 bar	65 psi
	End stroke	15 bar	218 psi
Max. pilot pressure		30 bar	436 psi



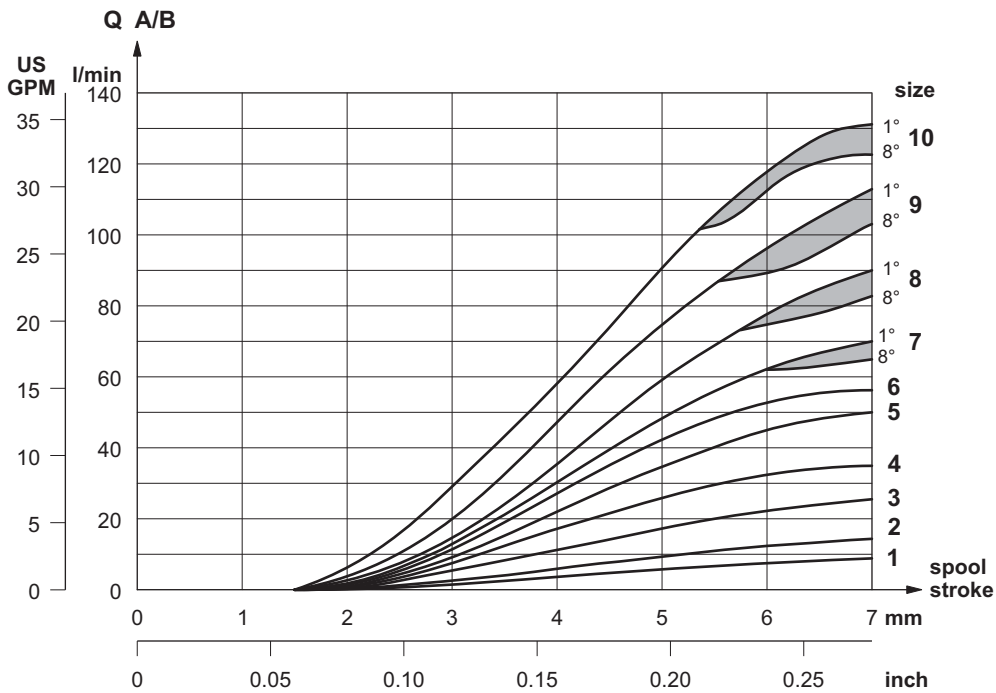
# Technical data

## Characteristic curves



Flow characteristics of section with compensator from 1st to 8th section with open or closed centre type inlet section

HPV 41



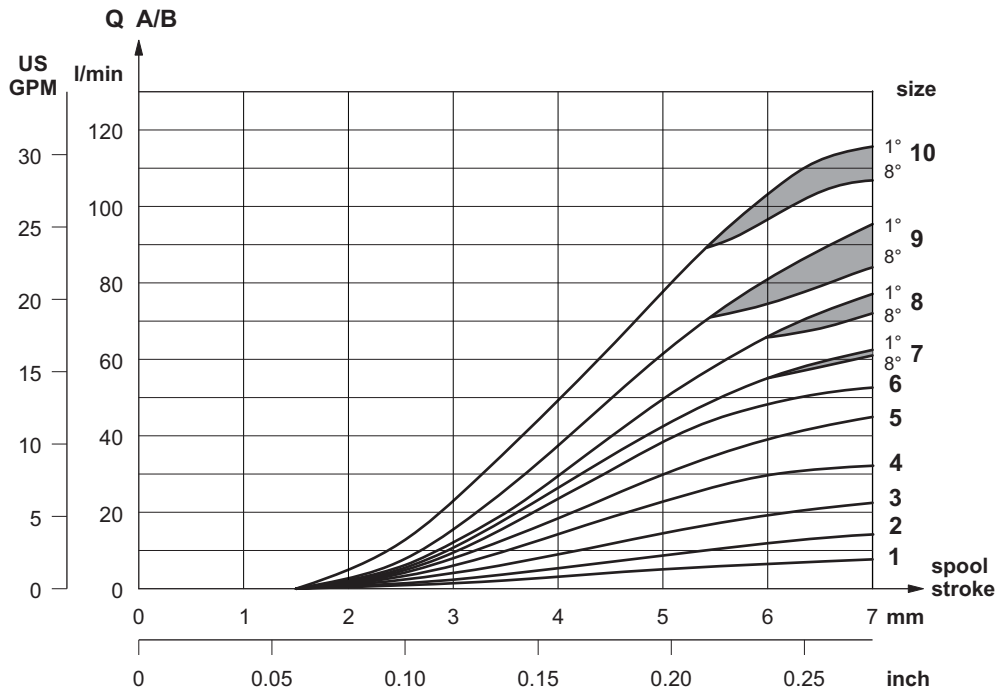
Flow characteristics of section without compensator from 1st to 8th section with open centre type inlet section

Curves measured with oil viscosity of 25 mm<sup>2</sup>/s (cSt) at a temperature of 50 °C [122 °F]

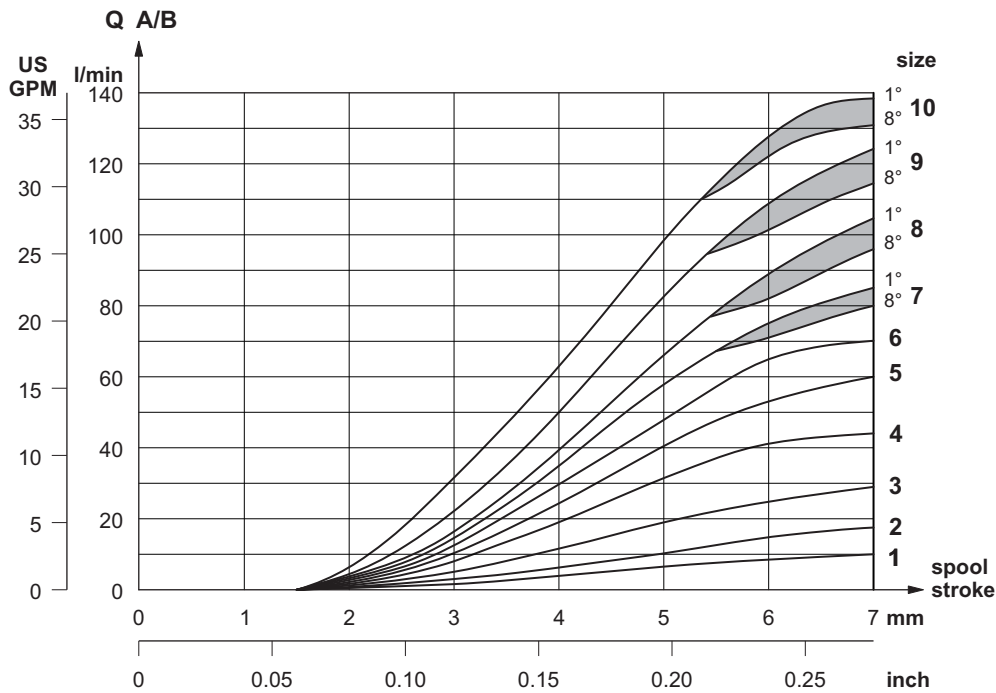
# Technical data

## Characteristic curves

HPV 41



Flow characteristics of section without compensator from 1st to 8th section with closed centre type inlet section and 14 bar [203 psi] pump standby pressure

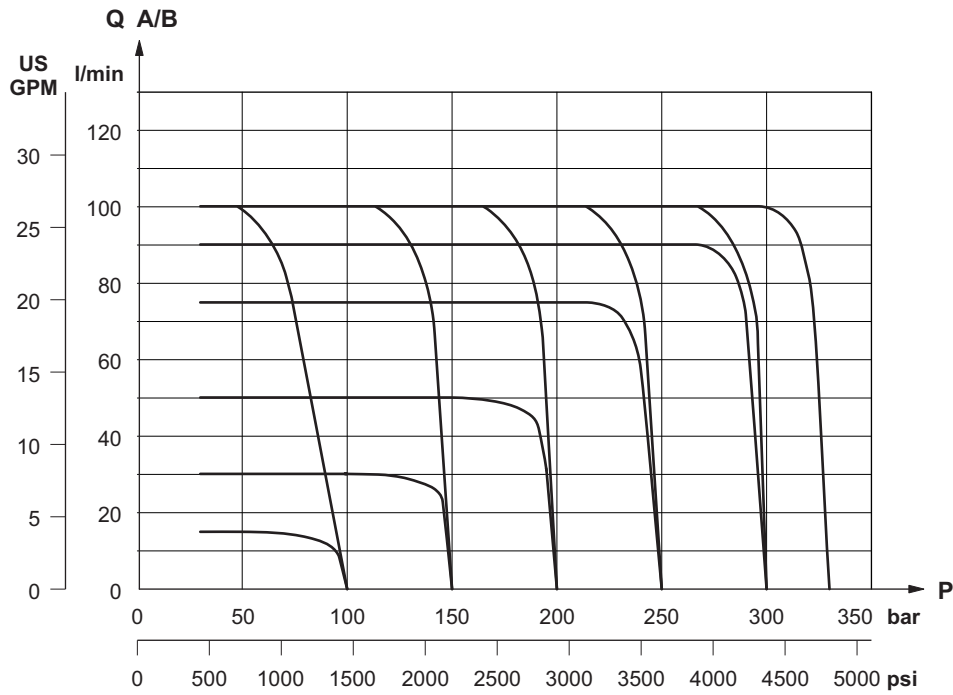


Flow characteristics of section without compensator from 1st to 8th section with closed centre type inlet section and 21 bar [305 psi] pump standby pressure

Curves measured with oil viscosity of 25 mm<sup>2</sup>/s (cSt) at a temperature of 50 °C [122 °F]

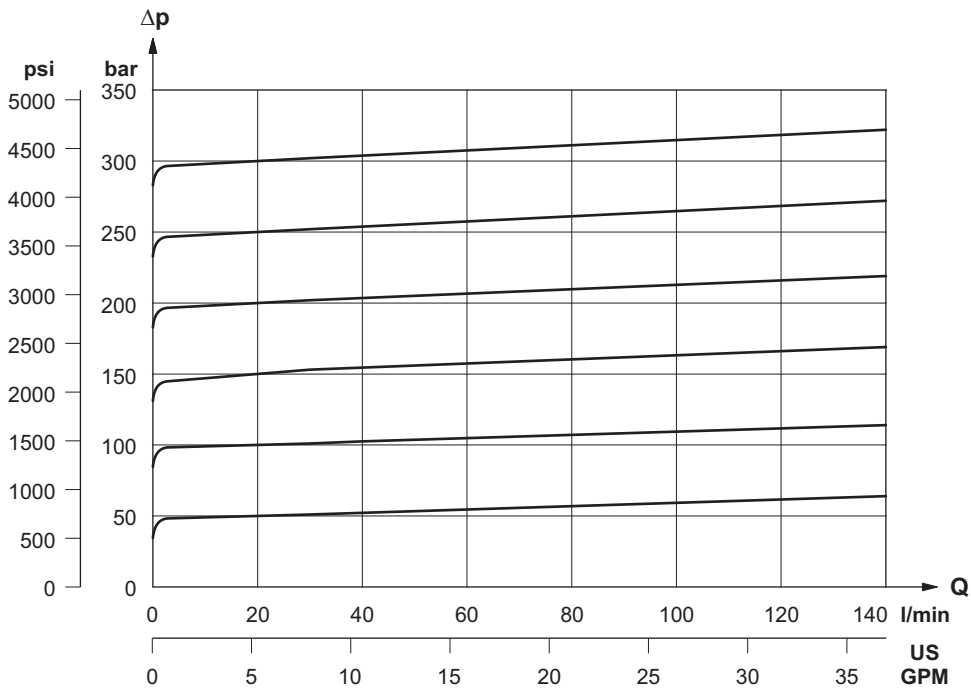
# Technical data

## Characteristic curves



Flow characteristics at A / B ports with pressure limitation on the same (section with pressure compensator)

HPV 41



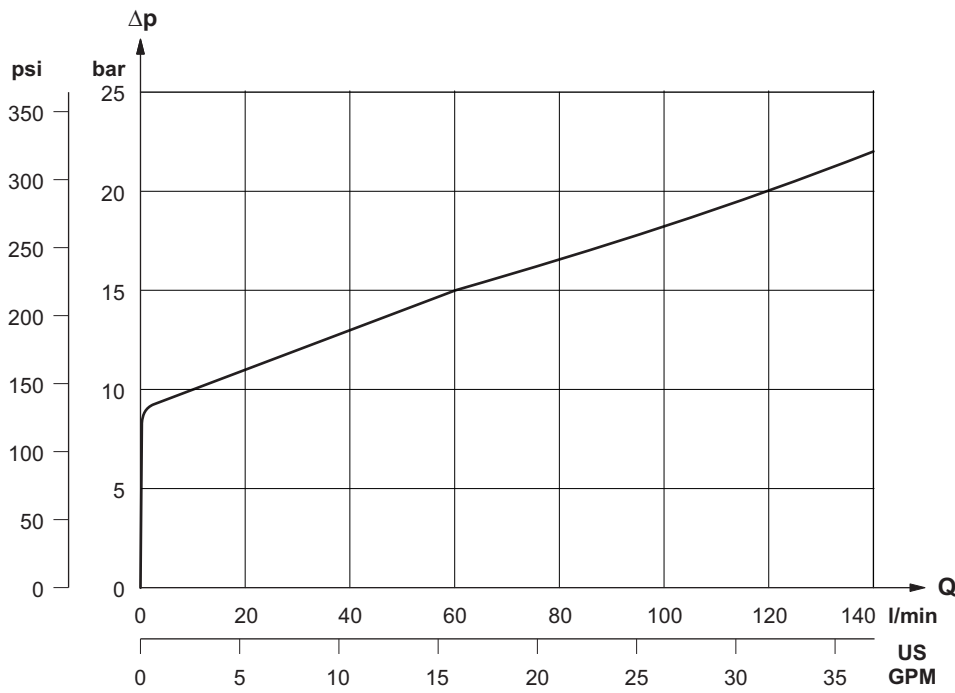
Characteristics of main pressure relief valve

Curves measured with oil viscosity of 25 mm<sup>2</sup>/s (cSt) at a temperature of 50 °C [122 °F]

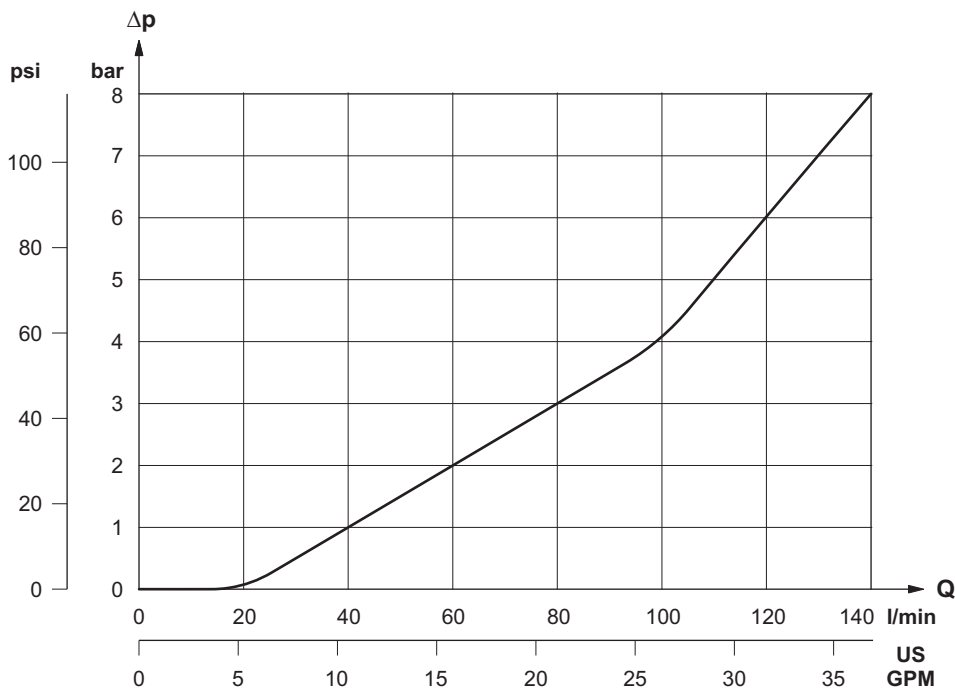
# Technical data

## Characteristic curves

HPV 41



Pressure drop on inlet section, open centre type, with spools in neutral position

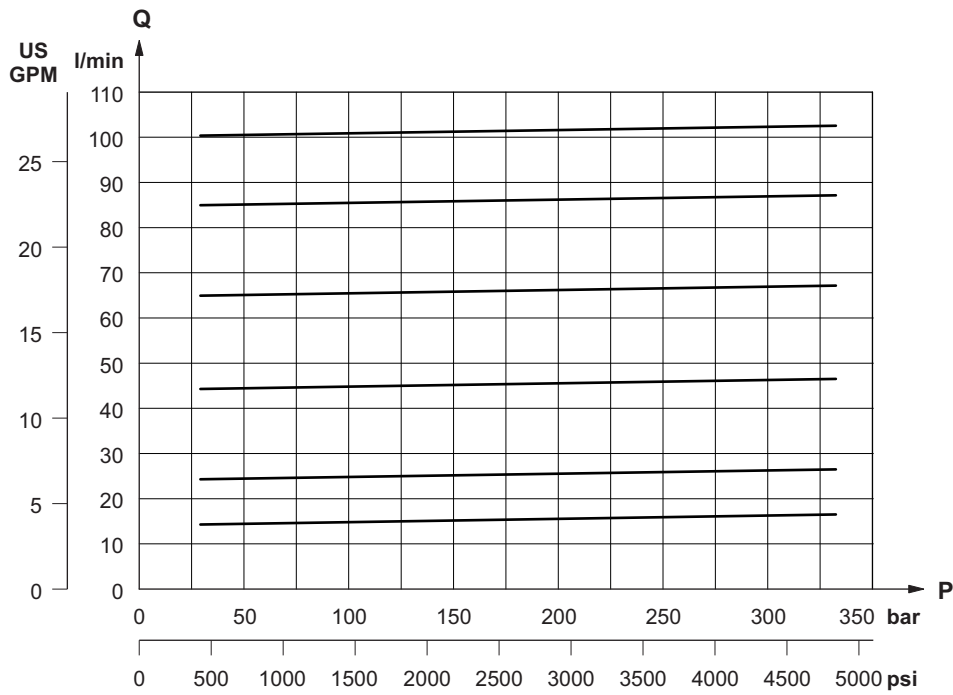


Pressure drop on inlet section with pump unloading valve and spools in neutral position (for open centre inlet sections only)

Curves measured with oil viscosity of 25 mm<sup>2</sup>/s (cSt) at a temperature of 50 °C [122 °F]

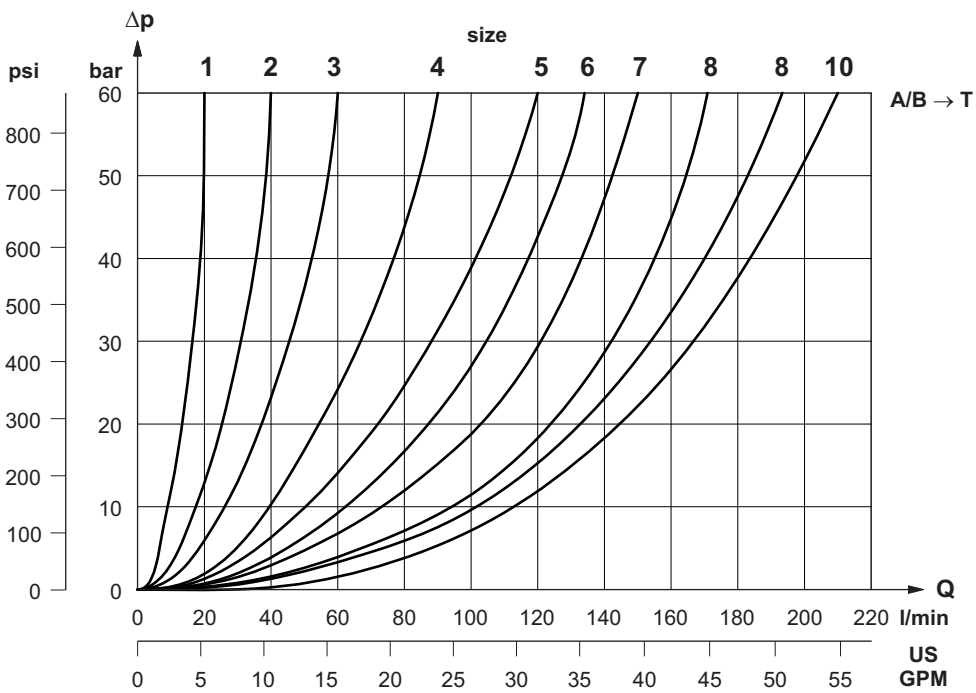
# Technical data

## Characteristic curves



Characteristics of baric compensation: flow independent from load

HPV 41

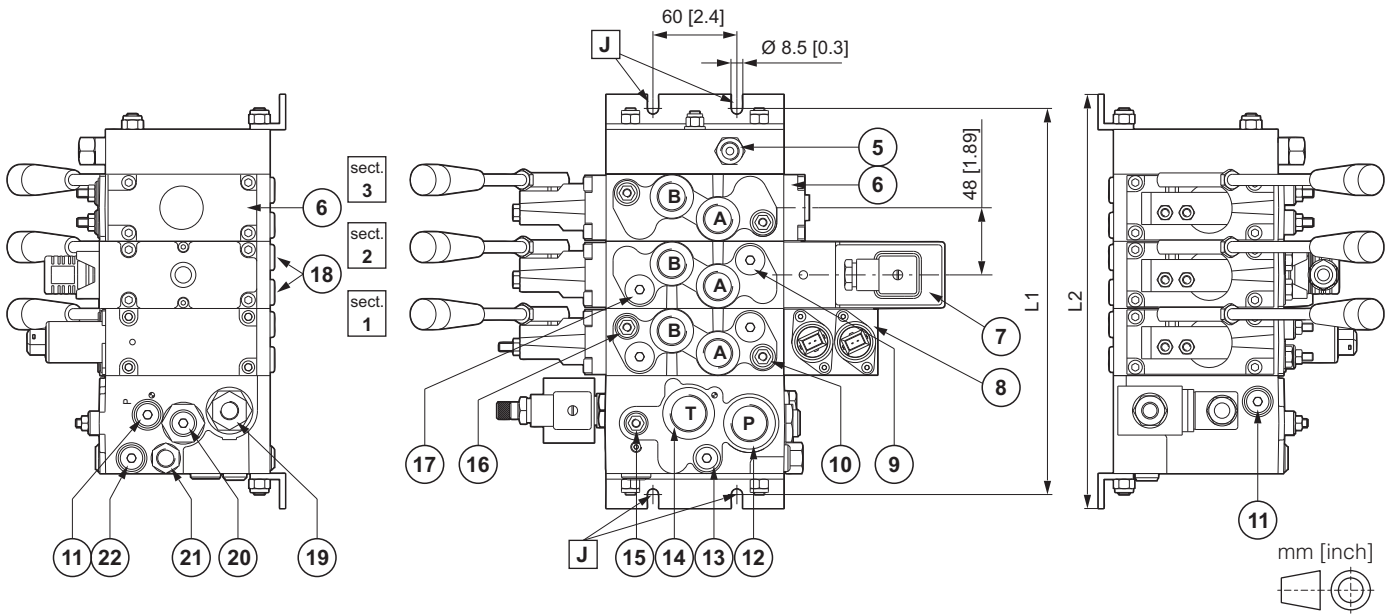
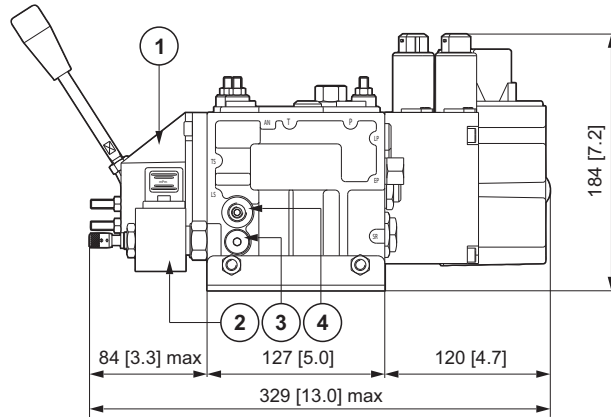


ΔP figures with spool on complete deadlock and a or B in T

Curves measured with oil viscosity of 25 mm<sup>2</sup>/s (cSt) at a temperature of 50 °C [122 °F]

# Overall dimensions and hydraulic diagrams

HPV 41 overall dimensions  
with SINGLE inlet section  
(HSE)



A/B Ports, 1/2" BSPP or 7/8" - 14 UNF - 2B (SAE 10)

J Fixing means

- 1 Manual control, HCM
- 2 Ls signal unloading solenoid valve
- 3 Ls signal filter cartridge
- 4 Ls port, 1/4" BSPP or 7/16" - 20UNF - 2B (SAE 4)
- 5 Electronic controls drain line
- 6 Manual control plate, HCP
- 7 ON-OFF electrohydraulic control module, MHOFF
- 8 Module for current electrohydraulic control, MHPF
- 9 A port anti-shock and anti-cavitation valve
- 10 LsA pressure relief valve
- 11 P, T pressure ports
- 12 Pump side port, 3/4" BSPP or 1 1/16" - 12 UN - 2B (SAE 12)
- 13 Low pressure line filter cartridge
- 14 Return line port, 3/4" BSPP or 1 1/16" - 12UN - 2B (SAE 12)
- 15 Main pressure relief valve
- 16 LsB pressure relief valve
- 17 B port anti-shock and anti-cavitation valve
- 18 LsA - LsB pressure remote control port, 1/4" BSPP or 7/16" - 20 UNF - 2B
- 19 Pilot line port for pump stand-by, 1/4" BSPP or 7/16" - 20UNF - 2B (SAE 4)
- 20 Pump gauge port, 1/4" BSPP or 7/16" - 20UNF - 2B (SAE 4)
- 21 Pressure reducing valve external feed port for electrohydraulic controls, 1/4" BSPP or 7/16" - 20UNF - 2B (SAE 4)
- 22 External pilot oil supply, 1/4" BSPP or 7/16" - 20UNF - 2B

Working Sections	L1 mm [inch]	L2 mm [inch]
1	180 [7.09]	200 [7.87]
2	228 [8.98]	248 [9.76]
3	276 [10.87]	296 [11.65]
4	324 [12.76]	344 [13.54]
5	372 [14.65]	392 [15.43]
6	420 [16.54]	440 [17.32]
7	468 [18.43]	488 [19.21]
8	516 [20.31]	536 [21.10]
9	564 [22.20]	584 [22.99]
10	612 [24.09]	632 [24.88]

### Fixing instructions

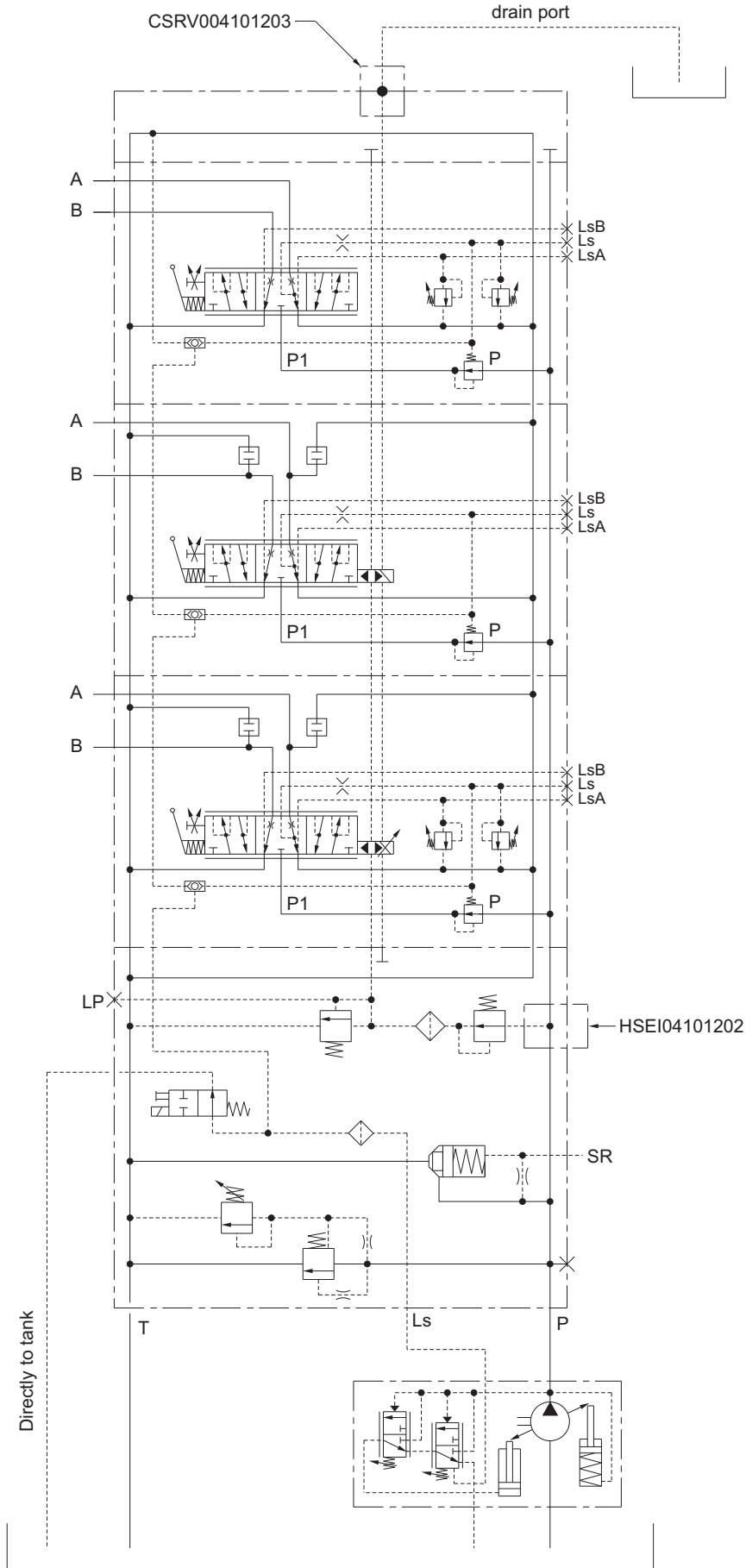
The distributor must be fixed by means (J) of the slots in the feet. We decline all responsibility in the case of malfunctioning or oil leakage caused by the wrong fixing of the distributor.

### Note:

See the order form, page B-24).

# Overall dimensions and hydraulic diagrams

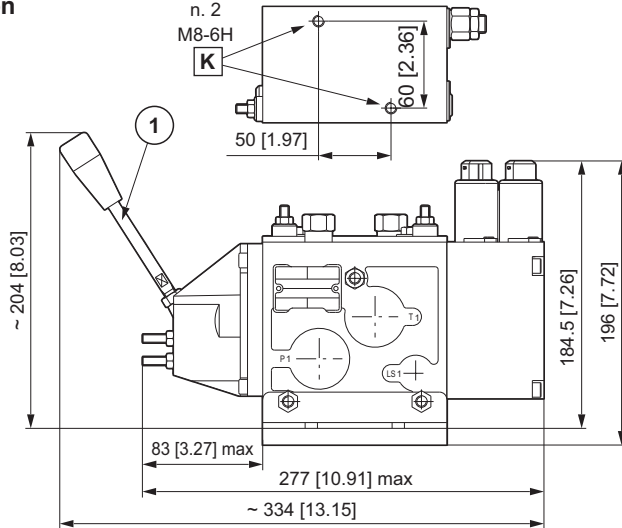
## HPV 41 hydraulic diagram with SINGLE inlet section (HSE)



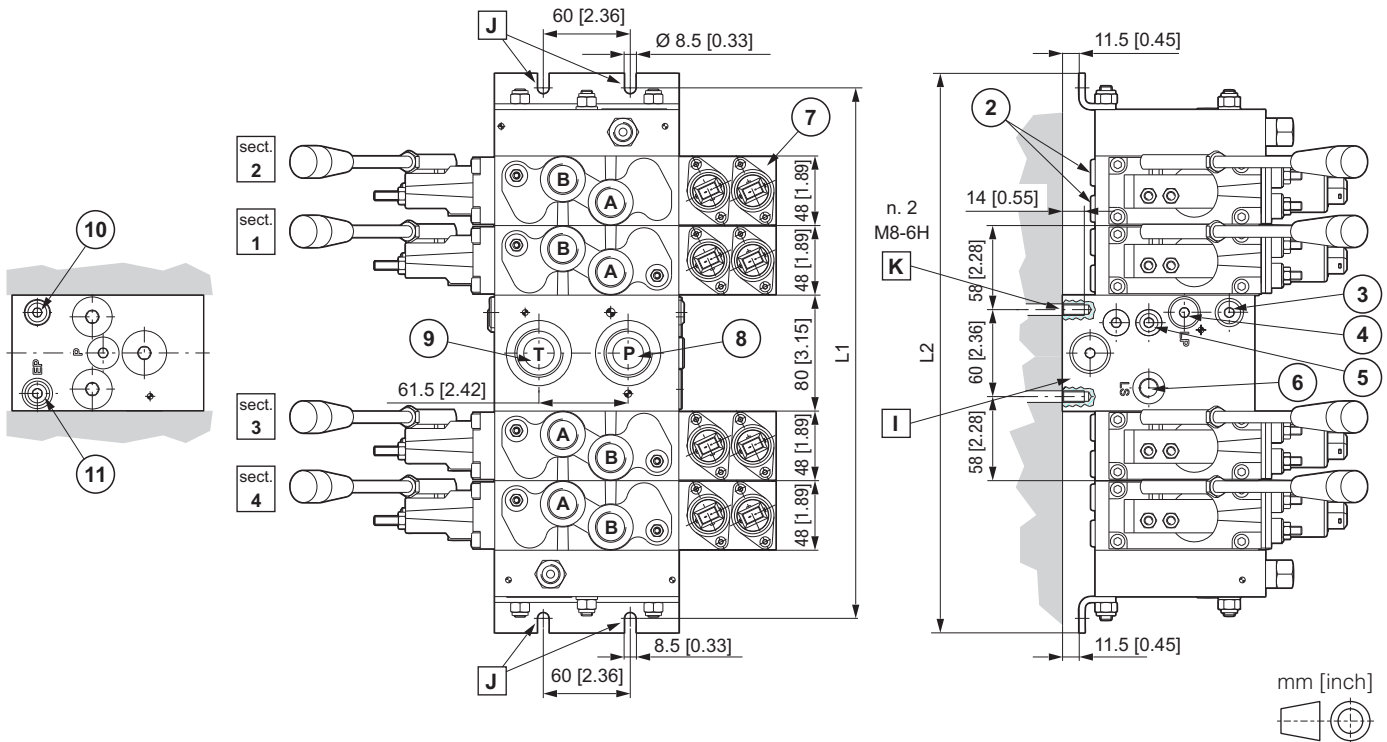
HPV 41

# Overall dimensions and hydraulic diagrams

HPV 41 overall dimensions  
with MID inlet section  
(HFLS)



Working Sections	L1 mm [inch]	L2 mm [inch]
2	270 [10.63]	290 [11.42]
3	318 [12.52]	338 [13.31]
4	366 [14.41]	386 [15.20]
5	414 [16.30]	434 [17.09]
6	462 [18.19]	482 [18.98]
7	510 [20.08]	530 [20.87]
8	558 [21.97]	578 [22.76]
9	606 [23.86]	626 [24.65]
10	654 [25.75]	674 [26.54]



A/B Ports, 1/2" BSPP or 7/8" - 14 UNF - 2B (SAE 10)

I Mid inlet section HFLS

J Fixing means

K Fixing holes M8

1 Manual control, HCM

2 LsA - LsB pressure remote control port, 1/4" BSPP or 7/16" - 20 UNF - 2B

3 Low pressure line filter cartridge

4 External pilot oil supply, 1/4" BSPP or 7/16" - 20 UNF - 2B

5 Ls signal filter cartridge

6 Ls port, 1/4" BSPP or 7/16" - 20 UNF - 2B (SAE 4)

7 Module for current electrohydraulic control, MHPF

8 Pump side port, 3/4" BSPP or 1 1/16" - 12 UN - 2B (SAE 12)

9 Return line port, 3/4" BSPP or 1 1/16" - 12 UN - 2B (SAE 12)

10 Pressure reducing valve external feed port for electrohydraulic controls, 1/4" BSPP or 7/16" - 20 UNF - 2B (SAE 4)

11 P, T pressure ports

## Fixing instructions

The distributor must be fixed by means of the slots (J) in the feet and by means of the two holes M8-6H (K) in the mid inlet section HFLS (I). We decline all responsibility in the case of malfunctioning or oil leaks caused by wrong fixing of the distributor.

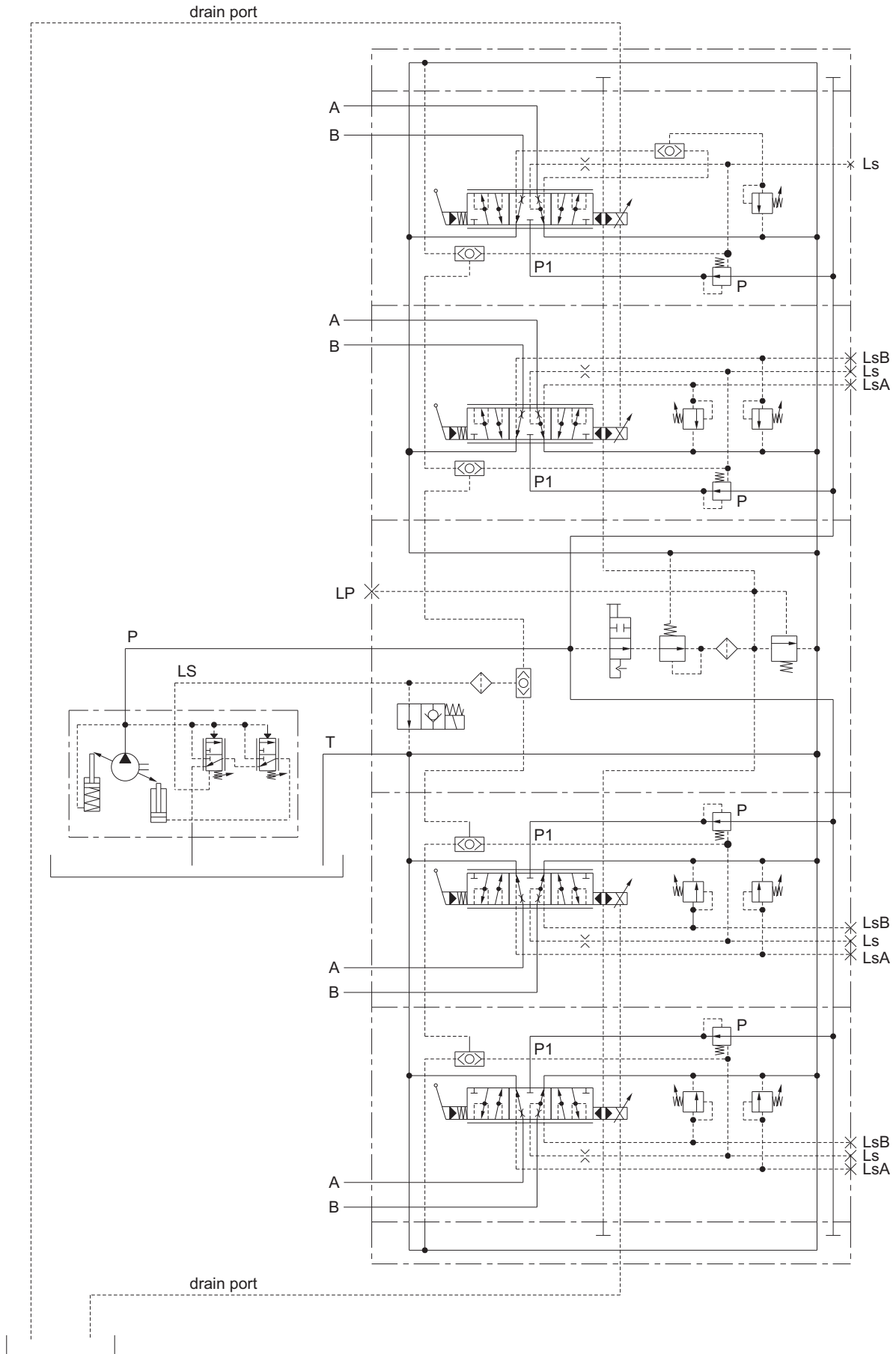
## Note:

On the working sections no. 3, 4 (as in the above example), the A - B port positions are reversed (see also the order form, page B-25).



# Overall dimensions and hydraulic diagrams

HPV 41 hydraulic diagram with MID inlet section (HFLS)

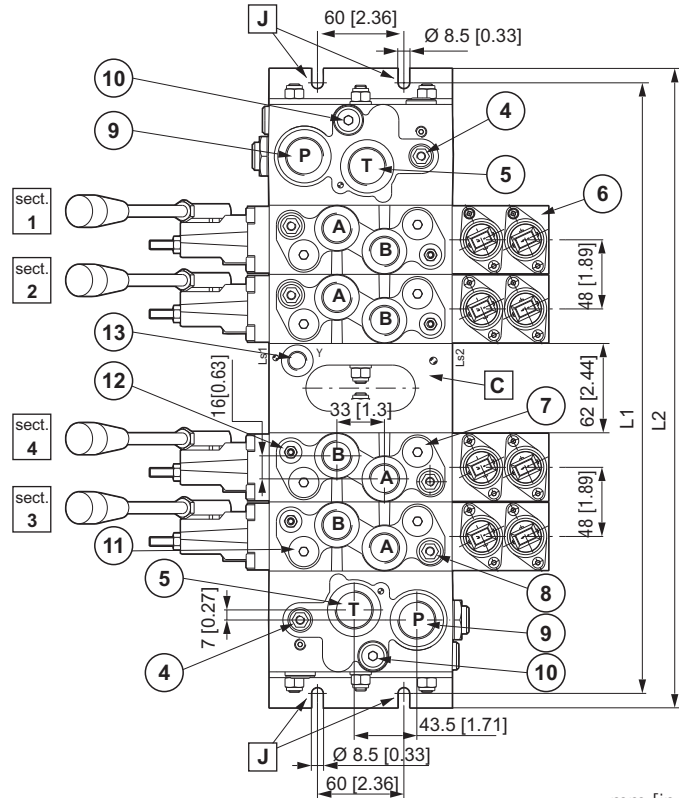
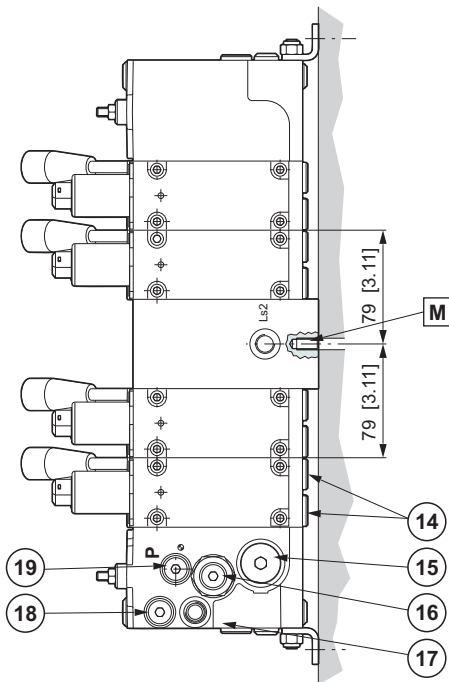
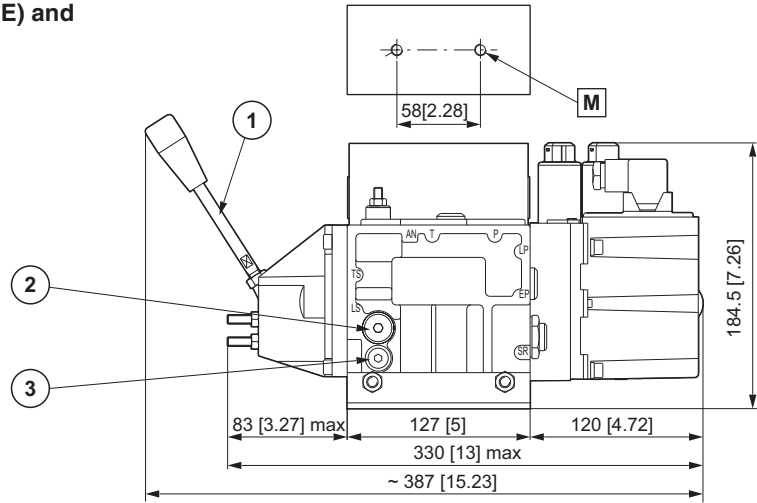


HPV 41

# Overall dimensions and hydraulic diagrams

HPV 41 overall dimensions with 2 inlet sections (HSE) and mid end section (HPFS)

Working Sections	L1 mm [inch]	L2 mm [inch]
2	328 [12.91]	348 [13.70]
3	376 [14.80]	396 [15.59]
4	424 [16.69]	444 [17.48]
5	472 [18.58]	492 [19.37]
6	520 [20.47]	540 [21.26]
7	568 [22.36]	588 [23.15]
8	616 [24.25]	636 [25.04]
9	664 [26.14]	684 [26.93]
10	712 [28.03]	732 [28.82]



- A/B Ports, 1/2" BSPP or 7/8" - 14 UNF - 2B (SAE 10)
- C Mid inlet section HPFS
- J Fixing means
- M Fixing holes M8
- 1 Manual control, HCM
- 2 Ls port, 1/4" BSPP or 7/16" - 20UNF - 2B (SAE 4)
- 3 Ls signal filter cartridge
- 3 Module for current electrohydraulic control, MHPF
- 4 Main pressure relief valve
- 5 Return line port, 3/4" BSPP or 1 1/16" - 12UN - 2B (SAE 12)
- 7 A port anti-shock and anti-cavitation valve
- 8 LsA pressure relief valve
- 9 Pump side port, 3/4" BSPP or 1 1/16" - 12 UN - 2B (SAE 12)
- 10 Low pressure line filter cartridge
- 11 B port anti-shock and anti-cavitation valve
- 12 LsB pressure relief valve
- 13 Electronic controls drain line
- 14 Pilot line port for pump stand-by, 1/4" BSPP or 7/16" - 20UNF - 2B (SAE 4)
- 14 LsA - LsB pressure remote control port, 1/4" BSPP or 7/16" - 20 UNF - 2B
- 16 Pump gauge port, 1/4" BSPP or 7/16" - 20UNF - 2B
- 17 Pressure reducing valve external feed port for electrohydraulic controls, 1/4" BSPP or 7/16" - 20UNF - 2B (SAE 4)
- 18 External pilot oil supply, 1/4" BSPP or 7/16" - 20UNF - 2B
- 19 P, T pressure ports

## Fixing instructions

The distributor must be fixed by means of the slots (J) in the feet and by means of the two holes M8-6H (M) in the mid end section HPFS (C). We decline all responsibility in the case of malfunctioning or oil leaks caused by wrong fixing of the distributor.

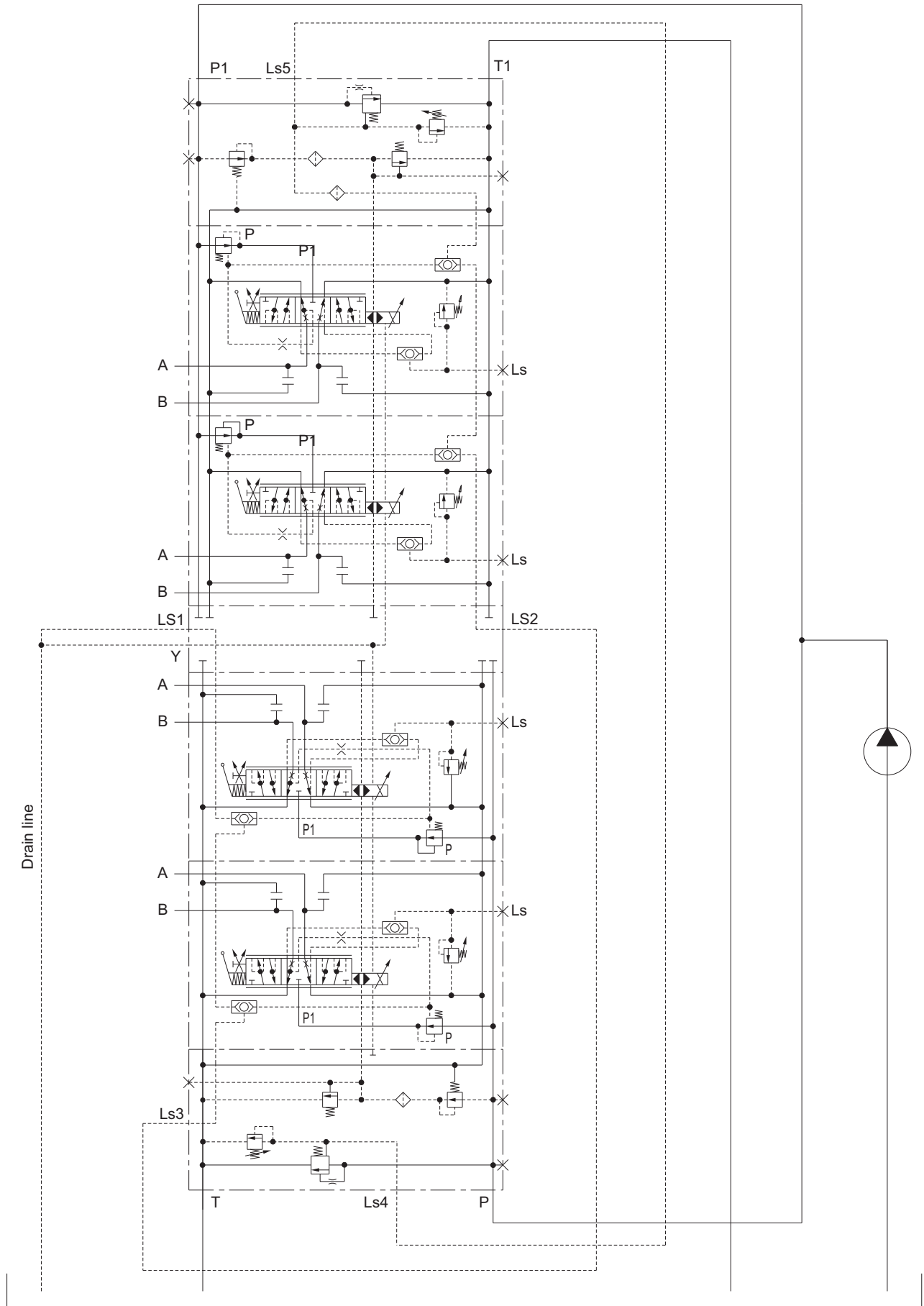
## Note:

On the working sections no. 1, 2 (as in the above example), the A - B port positions are reversed (see also the order form, page B-26).

mm [inch]

# Overall dimensions and hydraulic diagrams

HPV 41 hydraulic diagram with 2 inlet sections (HSE) and mid end section (HPFS), for open centre system



HPV 41



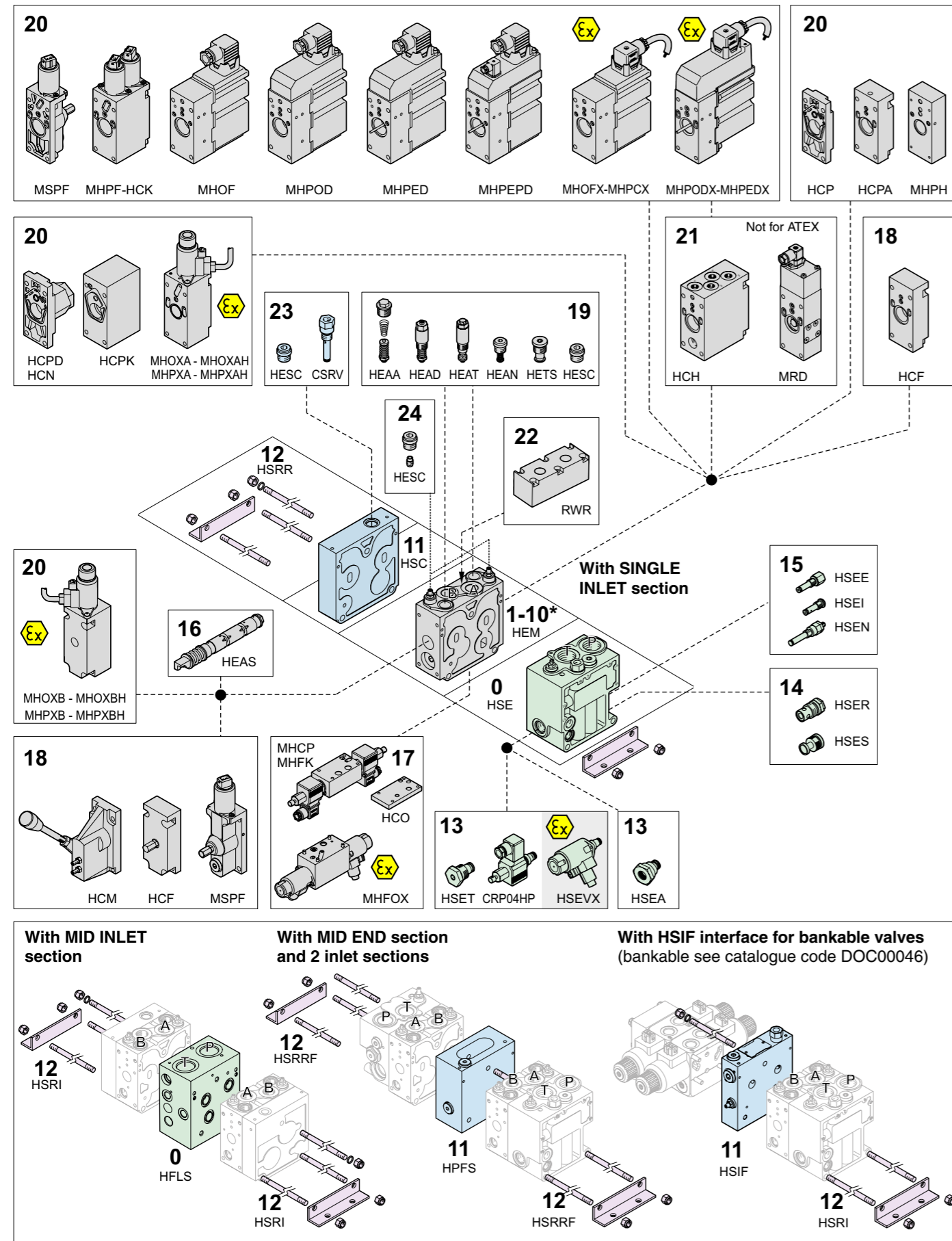
---

**HPV41  
Composition  
form**

**HPV41  
Composition  
form**



# HPV41 Composition form



<b>FIELD 0 - INLET SECTIONS</b>	
HSE - Inlet section .....	B-27
HFLS - Mid inlet section .....	B-33
<b>FIELD 1 to 10 - WORKING SECTIONS</b>	
HEM - Working section .....	B-38
<b>FIELD 11 - END SECTIONS</b>	
HSC - End section .....	B-88
HPFS - Intermediate end section .....	B-90
HSIF - Interface between HPV 41 and CXDH3 / CX3 / CDH3 / CD3 / CDC3 .....	B-91
<b>FIELD 12 - STAY BOLTS KITS</b>	
HSRR - Stay bolts kit for single inlet HSE .....	B-94
HSRI - Stay bolts kit for mid inlet HFLS .....	B-95
HSRRF - Stay bolts kit for mid end section HPFS .....	B-96
HSRI - Stay bolts kit for HSIF interface .....	B-97
<b>FIELD 13 - FACILITIES FOR SOLENOID LS UNLOADING VALVES</b>	
HSET - Plug .....	B-35
CRP04HP - Electrical valve .....	B-35
HSEA - Cartridge .....	B-35
HSEVX - ATEX electrical valve .....	B-35
<b>FIELD 14 - FACILITIES FOR PUMP UNLOADING</b>	
HSER, HSES - Valve and plug .....	B-37
<b>FIELD 15 - PILOT OIL SUPPLY</b>	
HSEE, HSEI, HSEN - Cartridges .....	B-37
<b>FIELD 16 - SPOOLS</b>	
HEAS - Main spools .....	B-46
<b>FIELD 17 - ELECTRICAL UNLOADING LSA-B MODULE</b>	
MHFK, MHCP - Unloading modules .....	B-82
MHFOX - ATEX unloading module .....	B-84
HCO - Closing module .....	B-87
<b>FIELD 18 - MECHANICAL ACTUATORS</b>	
HCM Mechanical control .....	B-53
HCF Rear cover .....	B-53
MSPF - Current electrohydraulic proportional module .....	B-54
<b>FIELD 19 - SHOCK AND SUCTION VALVE</b>	
HEAA, HEAD, HEAT, HEAN, HETS, HESC - Valves and plugs .....	B-50
<b>FIELD 20 - MECHANICAL, HYDRAULIC AND ELECTRICAL ACTUATORS</b>	
HCN - Friction .....	B-55
HCP - Rear cover .....	B-55
HCPA - Adjustabler rear cover .....	B-55
HCPK - Kick-Out device .....	B-56
HCPD - Spool lock device .....	B-56
MHPH - Hydraulic activation .....	B-56
MHPF - Electrohydraulic proportional module .....	B-57
HCK - electrohydraulic proportional module with pilot oil connections .....	B-58
MHOF - On/Off electrohydraulic module .....	B-59
MHPOD - Open loop electrohydraulic proportional module .....	B-60
MHPED - Closed loop electrohydraulic proportional module .....	B-61
MHPEPD - Closed loop electrohydraulic proportional module .....	B-63
MHOX, MHOX-H - On/Off electrohydraulic modules ATEX .....	B-65
MHPX, MHPX-H - Proportional electrohydraulic modules ATEX .....	B-69
MHOFX - On/Off electrohydraulic ATEX module .....	B-73
MHPCX - Proportional electrohydraulic ATEX module .....	B-74
MHPODX - Open loop electrohydraulic proportional ATEX module .....	B-75
MHPEDX - Closed loop electrohydraulic proportiona ATEX module .....	B-76
<b>FIELD 21 - REMOTE CONTROL</b>	
HCH - Hydraulic and electrical remote control .....	B-78
MRD - Electrical spool movement device .....	B-80
<b>FIELD 22 - MODULE WITH CHECK VALVE</b>	
RWR - Double pilot operated check valve module .....	B-81
<b>FIELD 23 - ACCESSORIES FOR HSC AND HSIF ELEMENTS</b>	
CSRV module - electrical activations external drain .....	B-93
HESC module - manual and hydraulic activations internal drain .....	B-93
<b>FIELD 24 - PLUGS KIT</b>	
Kit for closing pressure relief valve cavity .....	B-52
<b>SPARE PARTS KIT</b> .....	B-98

\* Working sections HEM (1-10) are reversibles, actuators (18-20-21) can be assembled on side ports A or B of element.

# Order form

This order form is the only one ensuring that the product will be defined and ordered correctly without any possible mistakes. It is divided into sectors of pertinence, from 0 to 24, within which the code of the required module must be inserted.

It is also necessary to indicate:

- the setting in bar of the pressure relief valve (sector 0, inlet section);
- when requested, the setting in bar of the LsA/LsB pressure relief valves (sectors 1 to 10, HEM spool elements);

Dana suggests to indicate the pump type and the flow that feeds the proportional valve, so it is possible to test it in working conditions.

The valve is always assembled as indicated in the module assembly selection table (see page B-21), i.e. the HCM module for the manual control inserted in sector of pertinence 18, and the rear modules HCP, HCPD, HCPK, MHPH, MHPE, MHPO, MHOF etc. inserted into sectors of pertinence 20, 21.

If the opposite assembly is required, just select from menu the desired assembly mode: Right / Left HPV feed, HPV feed with HFLS / HPFS module.

## Combination table controls

Controls	HCM	HCF	MSPF	MHOXB	MHOXBH	MHPXB	MHPXBH
HCPD HCN	•	—	—	—	—	—	—
HCPK	•	—	•	•	•	•	•
MHOXA	•	—	—	•	—	—	—
MHOXAH	•	—	—	—	•	—	—
MHPXA	•	—	—	—	—	•	—
MHPXAH	•	—	—	—	—	—	•
MSPF	•	•	•	—	—	—	—
MHPF-HCK	•	—	—	—	—	—	—
MHOF	•	—	—	—	—	—	—
MHPOD	•	—	—	—	—	—	—
MHPED	•	—	—	—	—	—	—
MHPEPD	•	—	—	—	—	—	—
MHOFX MHPGX	•	—	—	—	—	—	—
MHPODX MHPEDX	•	—	—	—	—	—	—
HCP	•	—	—	—	—	—	—
HCPA	•	—	—	—	—	—	—
MHPH	•	•	—	—	—	—	—
HCF	—	—	•	•	•	•	•

• = combinable — = not combinable

ATEX controls. For the ATEX versions you need to use the cast iron controls.

# Order form

With SINGLE inlet section (HSE)

HPV 41

Controlled function	B Port		Field	11	23	A Port		Controlled function				
				12								
	18	10	LsA LsB	bar	16		18					
	19								17	19		
	20										21	20
	21			22								
18	9	LsA LsB	bar	16		18						
19								17	19			
20										21	20	
21			22									21
18	8	LsA LsB	bar	16		18						
19								17	19			
20										21	20	
21			22									21
18	7	LsA LsB	bar	16		18						
19								17	19			
20										21	20	
21			22									21
18	6	LsA LsB	bar	16		18						
19								17	19			
20										21	20	
21			22									21
18	5	LsA LsB	bar	16		18						
19								17	19			
20										21	20	
21			22									21
18	4	LsA LsB	bar	16		18						
19								17	19			
20										21	20	
21			22									21
18	3	LsA LsB	bar	16		18						
19								17	19			
20										21	20	
21			22									21
18	2	LsA LsB	bar	16		18						
19								17	19			
20										21	20	
21			22									21
18	1	LsA LsB	bar	16		18						
19								17	19			
20										21	20	
21			22									21
Note	0		P		13	Note						
			bar		14							
					15							

Right HPV feed (Standard)  Left HPV feed	<b>MAIN INFORMATION</b> Pump type: <input type="radio"/> Fixed displ. <input type="radio"/> LS control <input type="radio"/> Constant pressure Pump flow, l/1': 000 liter / min Type of threads: <input type="radio"/> UNF <input type="radio"/> BSPP Reference tension: <input type="radio"/> 12 V <input type="radio"/> 24 V <input type="radio"/> Not required Electric devices: <input type="radio"/> Standard <input type="radio"/> Atex PWM <input type="radio"/> ATEX Tens
--	--



Customer:	
Item description:	
Compilation form date:	
Our valve internal code	
Customer reference code	
Compilation form modification index	
Order No.:	Order quantity
Order Date:	Net price EUR
Delivery date:	PRICE LIST 2018 - vers. BSPP ( GAS )
Order ack. N°:	Quotazione n° :

This composition form shall not be deemed as a Manufacturer's recommendation. We decline any responsibilities.

NOTE: For working sections numbering, see page B-14.




# Order form

With MID inlet section (HFLS)

Controlled function	B Port	Field	11	23	A Port	Controlled function	
			12				
	18	6	bar	16	18		
	19		LsA			19	
	20		LsB		17	20	
	21		22			21	
	18	5	bar	16	18		
	19		LsA			19	
	20		LsB		17	20	
	21		22			21	
	18	4	bar	16	18		
	19		LsA			19	
	20		LsB		17	20	
	21		22			21	
	18	3	bar	16	18		
	19		LsA			19	
	20		LsB		17	20	
	21		22			21	
	18	2	bar	16	18		
	19		LsA			19	
	20		LsB		17	20	
	21		22			21	
	18	1	bar	16	18		
	19		LsA			19	
	20		LsB		17	20	
	21		22			21	
HFLS	A Port	0	P	13	B Port	HFLS	
			bar	14			
	18	7	bar	16	18		
	19		LsA			19	
	20		LsB		17	20	
	21		22			21	
	18	8	bar	16	18		
	19		LsA			19	
	20		LsB		17	20	
	21		22			21	
	18	9	bar	16	18		
	19		LsA			19	
	20		LsB		17	20	
	21		22			21	
	18	10	bar	16	18		
	19		LsA			19	
	20		LsB		17	20	
	21		22			21	
	18	11	bar	16	18		
	19		LsA			19	
	20		LsB		17	20	
	21		22			21	
	18	12	bar	16	18		
	19		LsA			19	
	20		LsB		17	20	
	21		22			21	
Note			11	23	Note		
			12				

HPV 41

HPV feed with HFLS module    
 HPV feed with HPFS module



**MAIN INFORMATION**

Pump type  Fixed displ.  LS control  Constant pressure

Pump flow, l/1' 000 liter / min

Type of threads  UNF  BSPP

Reference tension  12 V  24 V  Not required

Electric devices  Standard  Atex PWM  ATEX Tens

Customer:	
Item description:	
Compilation form date:	
Our valve internal code	
Customer reference code	
Compilation form modification index	
Order No.:	Order quantity
Order Date:	Net price EUR
Delivery date:	PRICE LIST 2018 - vers. BSPP ( GAS )
Order ack. N°:	Quotazione n° :

This composition form shall not be deemed as a Manufacturer's recommendation. We decline any responsibilities.

NOTE: For working sections numbering, see page B-14.

# Order form

With 2 inlet sections (HSE) and mid end section (HPFS)

HPV 41

Controlled function	A Port		0			13	B Port	Controlled function	
						14			
	18		1			15			
	19			LsA			16		18
	20			LsB			17		19
	21				22				20
	18		2			16		21	
	19			LsA			17		18
	20			LsB			16		19
	21				22				20
	18		3			16		21	
	19			LsA			17		18
	20			LsB			16		19
	21				22				20
	18		4			16		21	
	19			LsA			17		18
	20			LsB			16		19
	21				22				20
	18		5			16		21	
	19			LsA			17		18
	20			LsB			16		19
	21				22				20
	18		6			16		21	
	19			LsA			17		18
	20			LsB			16		19
	21				22				20
HPFS	B Port		Field		11		A Port	HPFS	
	18		12			16		18	
	19			LsA			17		19
	20			LsB			16		20
	21				22				21
	18		11			16		18	
	19			LsA			17		19
	20			LsB			16		20
	21				22				21
	18		10			16		18	
	19			LsA			17		19
	20			LsB			16		20
	21				22				21
	18		9			16		18	
	19			LsA			17		19
	20			LsB			16		20
	21				22				21
	18		8			16		18	
	19			LsA			17		19
	20			LsB			16		20
	21				22				21
	18		7			16		18	
	19			LsA			17		19
	20			LsB			16		20
	21				22				21
Note			0			13	Note		
					12	14			
						15			

HPV feed with HPFS module

HPV feed with HFSL module



**MAIN INFORMATION**

Pump type  Fixed displ.  LS control  Constant pressure

Pump flow, l/1' 000 liter / min

Type of threads  UNF  BSPP

Reference tension  12 V  24 V  Not required

Electric devices  Standard  Atex PWM  ATEX Ters

Customer:	
Item description:	
Compilation form date:	
Our valve internal code	
Customer reference code	
Compilation form modification index	
Order No.:	Order quantity
Order Date:	Net price EUR
Delivery date:	PRICE LIST 2018 - vers. BSPP ( GAS )
Order ack. N°.:	Quotazione n° :

This composition form shall not be deemed as a Manufacturer's recommendation. We decline any responsibilities.

NOTE: For working sections numbering, see page B-16.

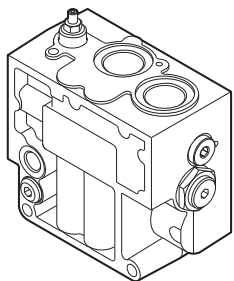
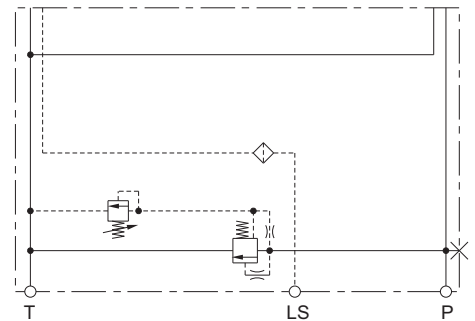
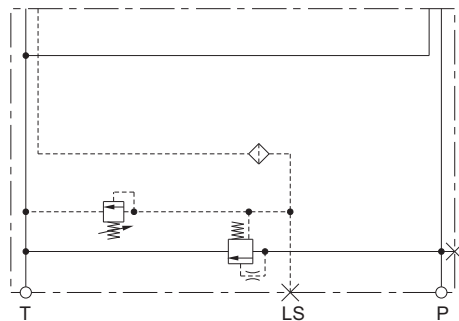
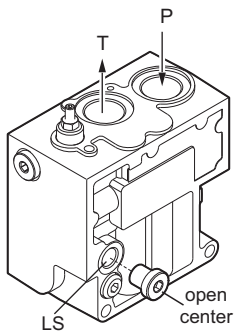


**Features**

- Hydraulic features: see page B-8.
- Connections: P, T: 3/4" BSPP or 1 1/16" - 12UN-2B
- Connessione Ls: 1/4" BSPP or 7/16" - 20UNF-2B
- Made in cast iron

HPV 41

**HSE for purely mechanically activated valves**



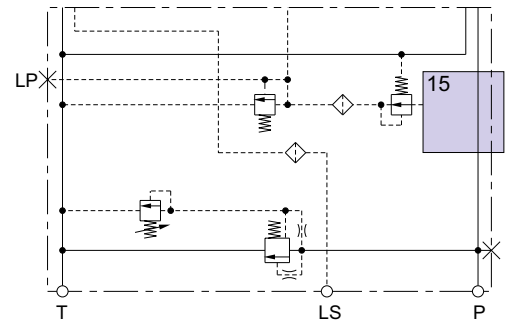
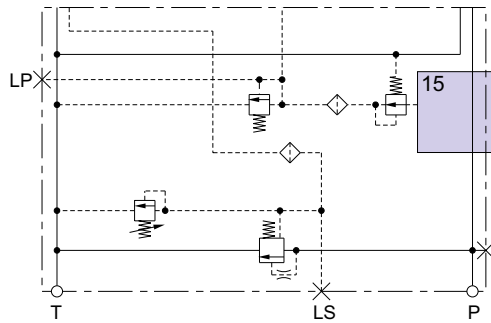
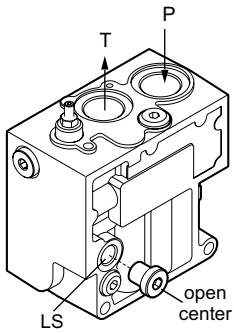
**Open center circuit for fixed displacement pumps**

Code	
BSPP	UN - UNF
HSE0004101010	HSE0004101020

**Closed center circuit for load sensing pumps**

Code	
BSPP	UN - UNF
HSE0004101110	HSE0004101120

For electrically activated valves. With pilot oil supply Lp.

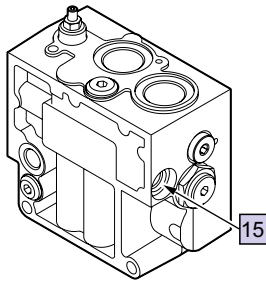


Open center circuit for fixed displacement pumps

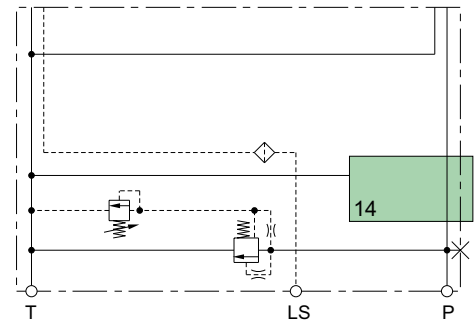
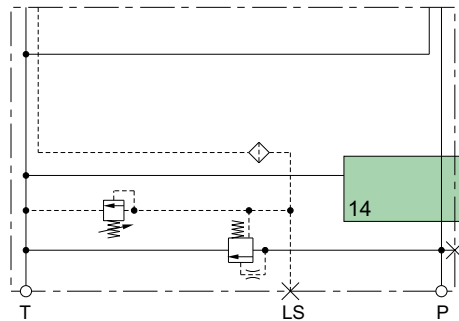
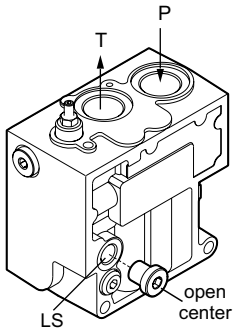
Closed center circuit for load sensing pumps

Code		LP(*)	
BSPP	UN - UNF	bar	psi
HSE0004101050	HSE0004101060	22	319
HSE0004101229	HSE0004101231	30	435
HSE0004101230	HSE0004101232	36	522

Code		LP(*)	
BSPP	UN - UNF	bar	psi
HSE0004101130	HSE0004101140	22	319
HSE0004101251	HSE0004101253	30	435
HSE0004101252	HSE0004101254	36	522



For purely mechanically activated valves. Prearranged for pump unloading valve, HSER

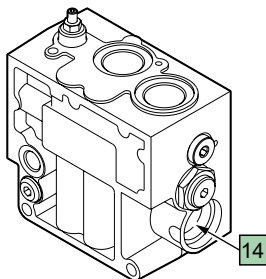


Open center circuit for fixed displacement pumps

Closed center circuit for load sensing pumps

Code	
BSPP	UN - UNF
HSE0004101030	HSE0004101040

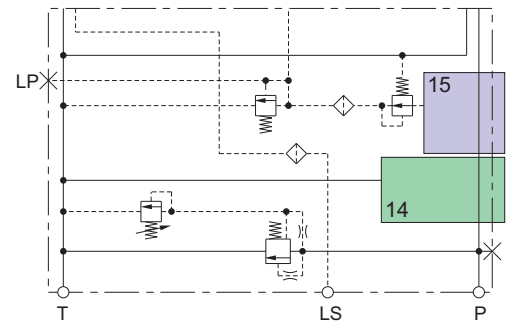
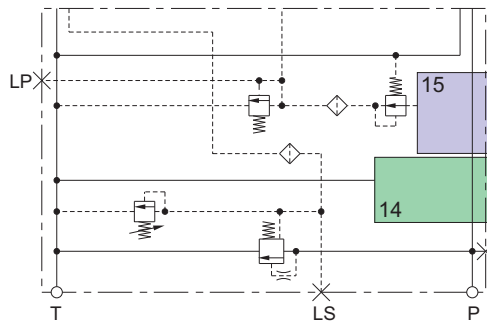
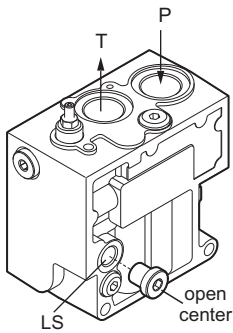
Code	
BSPP	UN - UNF
HSE0004101161	HSE0004101162



14 15 Seats, see accessories tables page B-37.

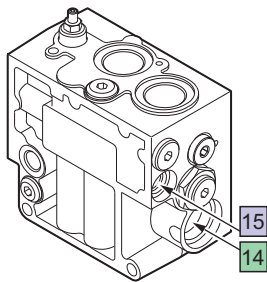
(\*) LP = Pilot pressure oil supply. If not specified 22 bar [319 psi]

For electrically activated valves.  
With pilot oil supply. Prearranged for pump unloading valve, HSER



Open center circuit for fixed displacement pumps

Closed center circuit for load sensing pumps

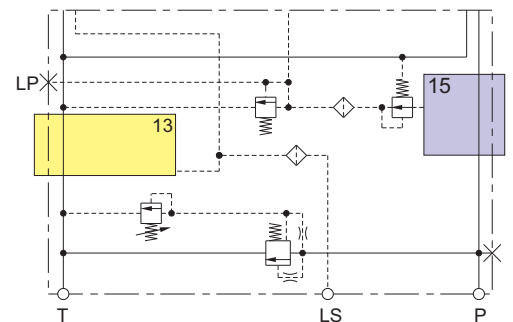
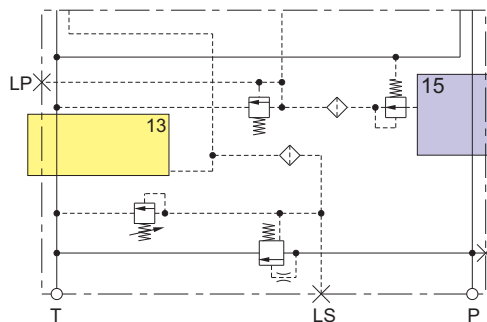
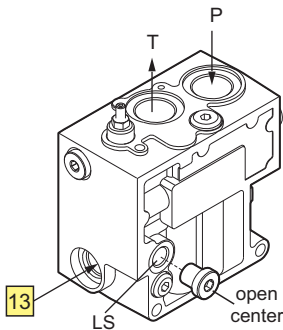


Code		LP(*)	
BSP	UN - UNF	bar	psi
HSE0004101090	HSE0004101100	22	319
HSE0004101243	*	30	435
HSE0004101244	*	36	522

Code		LP(*)	
BSP	UN - UNF	bar	psi
HSE0004101163	HSE0004101164	22	319
HSE0004101259	HSE0004101262	30	435
HSE0004101260	HSE0004101264	36	522

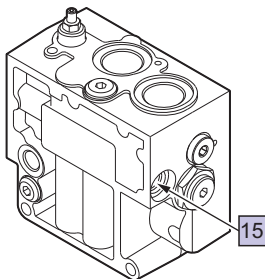
\* available on request

For electrically activated valves. With pilot oil supply.  
Prearranged for valves CRP04HP, HSET, HSEA



Open center circuit for fixed displacement pumps

Closed center circuit for load sensing pumps



Code		LP(*)	
BSP	UN - UNF	bar	psi
HSE0004101070	HSE0004101080	22	319
HSE0004101233	HSE0004101241	30	435
HSE0004101234	HSE0004101242	36	522

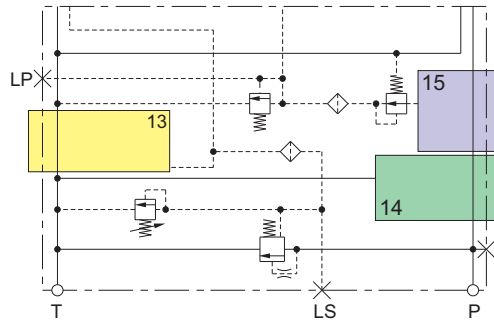
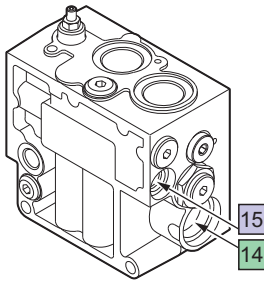
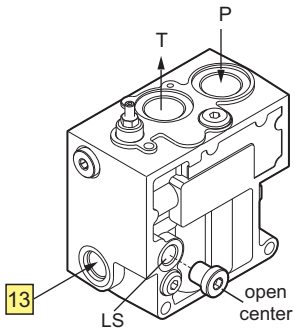
Code		LP(*)	
BSP	UN - UNF	bar	psi
HSE0004101150	HSE0004101160	22	319
HSE0004101255	HSE0004101257	30	435
HSE0004101256	HSE0004101258	36	522

13 14 15 Seats, see accessories tables from page B-35.

(\*) LP = Pilot pressure oil supply. If not specified 22 bar [319 psi]

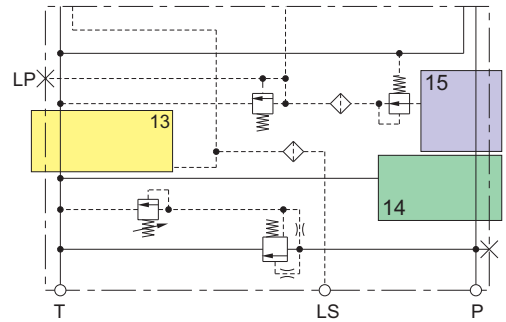
HPV 41

For electrically activated valves. With pilot oil supply.  
Prearranged for HSER and CRP04HP / HSEA / HSET.



Open center circuit for fixed displacement pumps

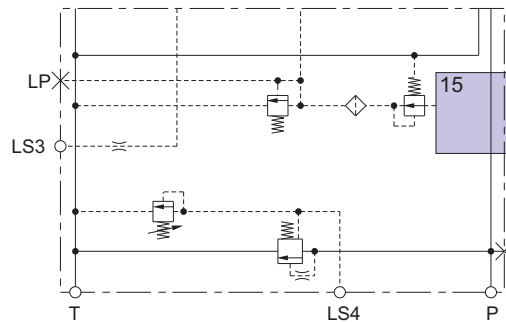
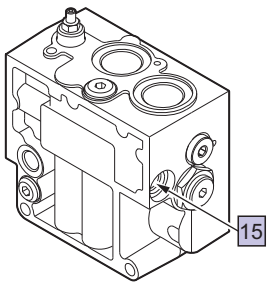
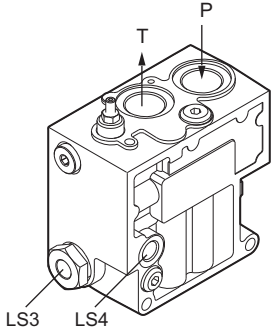
Code		LP(*)	
BSPP	UN - UNF	bar	psi
HSE0004101000	HSE0004101001	22	319
HSE0004101225	HSE0004101227	30	435
HSE0004101226	HSE0004101228	36	522



Closed center circuit for load sensing pumps

Code		LP(*)	
BSPP	UN - UNF	bar	psi
HSE0004101125	HSE0004101126	22	319
HSE0004101247	HSE0004101249	30	435
HSE0004101248	HSE0004101250	36	522

For electrically activated valves.  
With pilot oil supply. For system with 2 inlet sections supplied by 1 pump only.



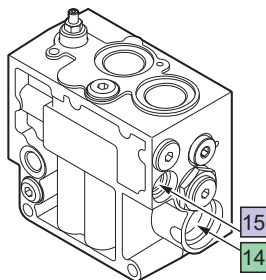
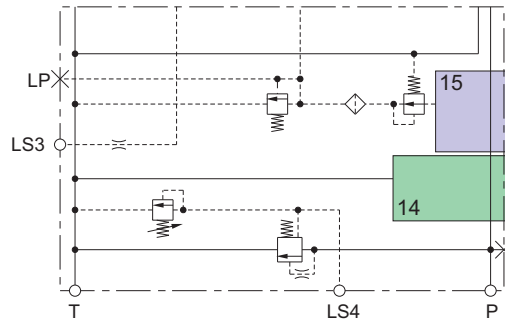
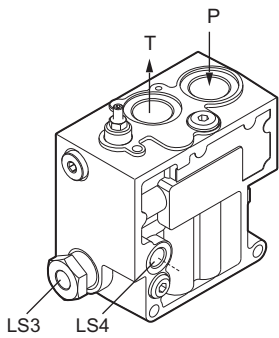
Open center circuit for fixed displacement pumps

Code		LP(*)	
BSPP	UN - UNF	bar	psi
HSE0004101071	HSE0004101072	22	319
HSE0004101235	HSE0004101237	30	435
HSE0004101236	HSE0004101238	36	522

13 14 15 Seats, see accessories tables from page B-35.

(\*) LP = Pilot pressure oil supply. If not specified 22 bar [319 psi]

For electrically activated valves.  
With pilot oil supply. For system with 2 inlet sections supplied by 1 pump only.  
Preranged for HSER.

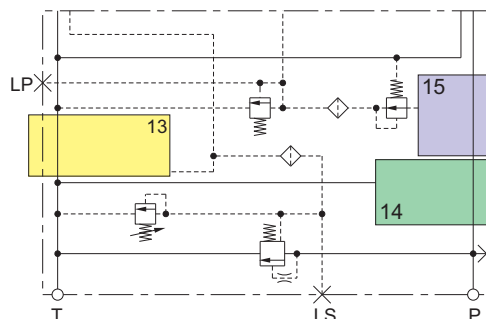
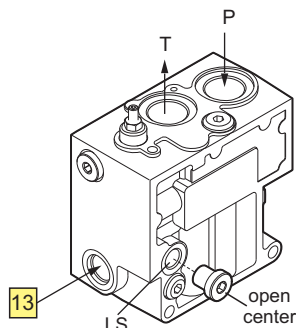


Open center circuit for fixed displacement pumps

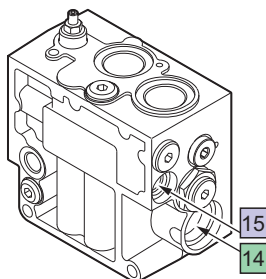
Code		LP(*)	
BSPP	UN - UNF	bar	psi
HSE0004101073	HSE0004101074	22	319
*	HSE0004101239	30	435
*	HSE0004101240	36	522

\* available on request

For electrically activated valves. With pilot oil supply.  
Preranged for HSER and HSEVX. ATEX version.



13 : can be assembled only with the electrical valves ATEX type HSEVX.



Open center circuit for fixed displacement pumps

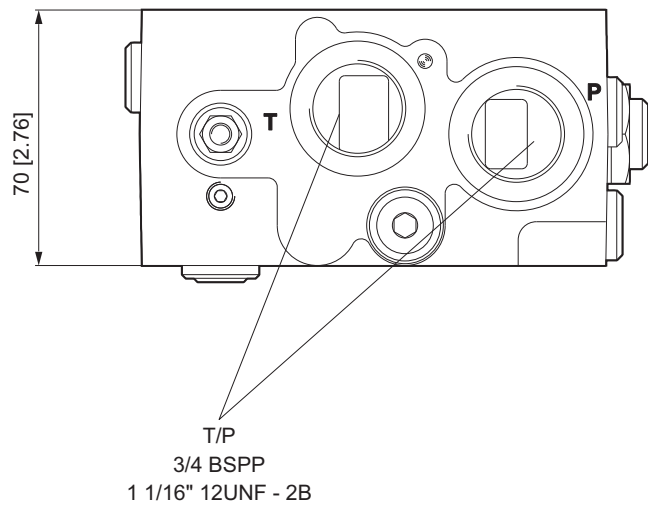
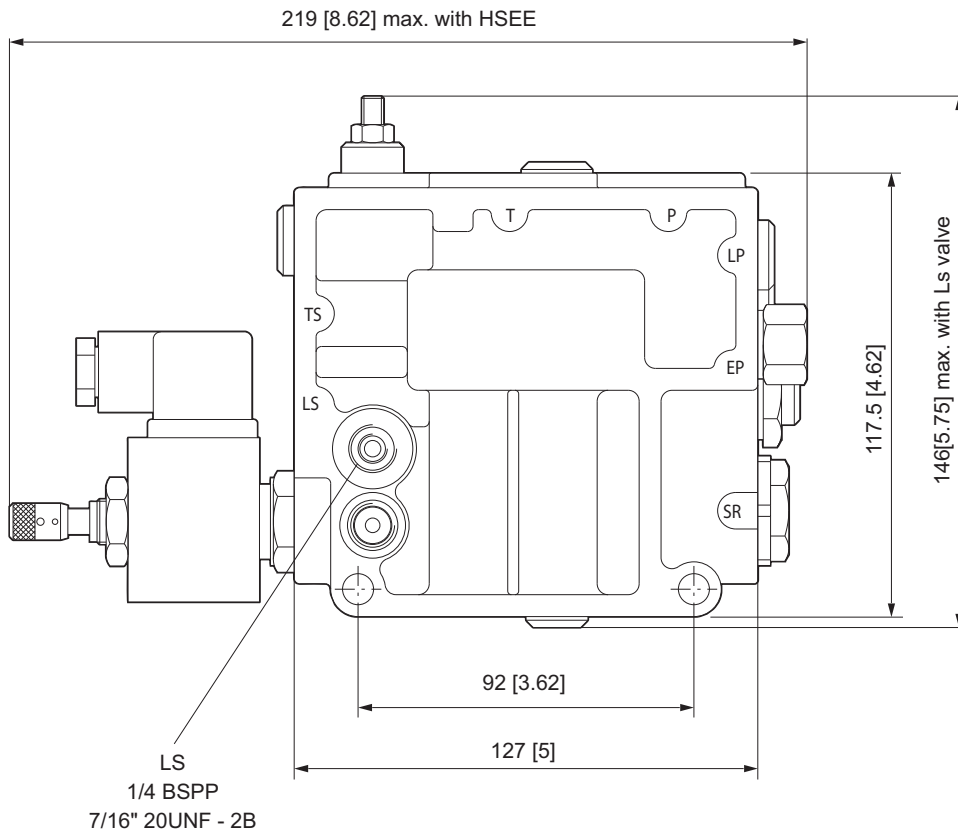
Code BSPP	LP(*)	
	bar	psi
HSE0004101275	22	319

13 14 15 Seats, see accessories tables from page B-35.

(\*) LP = Pilot pressure oil supply. If not specified 22 bar [319 psi]

## HSE inlet module overall dimensions

HPV 41



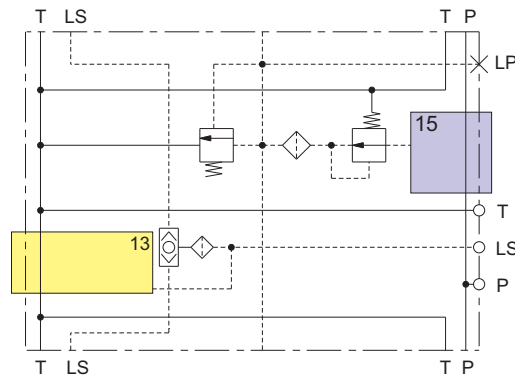
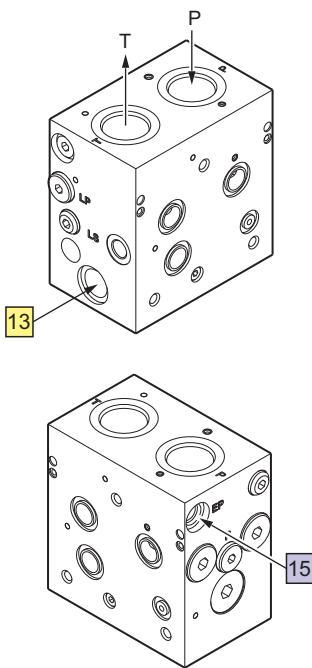
mm [inch]





- **Features**
- Other hydraulic features: see page B-8.
- Connections: P, T: 3/4" BSPP o 1 1/16" - 12UNF-2B
- Connessione Ls, LP: 1/4" BSPP or 7/16" - 20UNF-2B
- Prearranged for CRP04HP / HSEA / HSET
- Cast iron body.

HPV 41



**Closed center circuit for load sensing pumps**

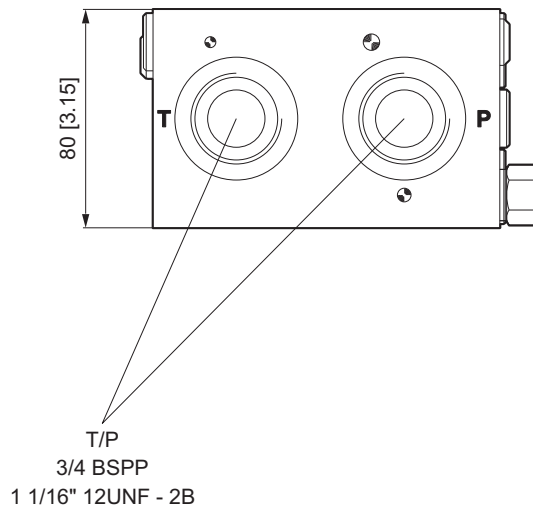
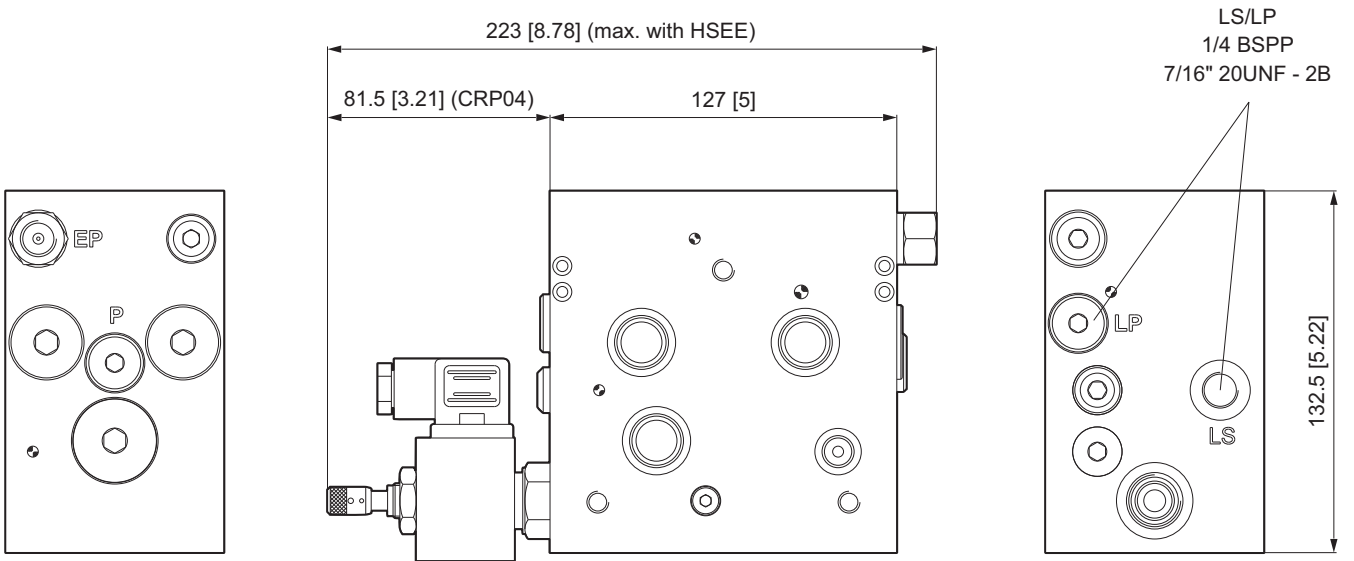
Code		LP(*)	
BSPP	UN - UNF	bar	psi
HFLS004101157	HFLS004101158	22	319
HFLS004101266	HFLS004101269	30	435
HFLS004101268	HFLS004101270	36	522

13 15 Seats, see accessories tables from page B-35.

(\*) LP = Pilot pressure oil supply

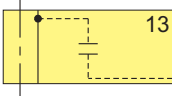
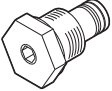
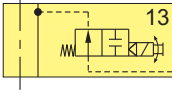
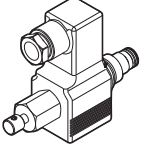
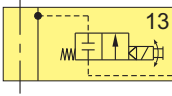
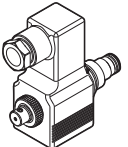
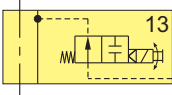
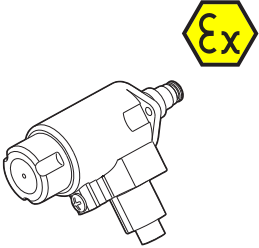
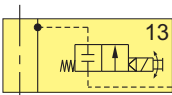
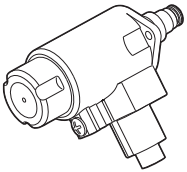
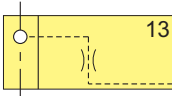
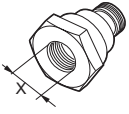
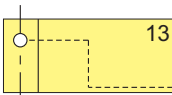
## HFLS inlet module overall dimensions

HPV 41



mm [inch]

Field 13 - Facilities for solenoid Ls unloading valve

Code	Description	Symbol / Field	Draw
HSET004101185	<b>HSET</b> Plug		
CRP04HPNAAE4P71 14 Vdc	<b>CRP04HP</b> Electrical Ls unloading valve <b>Normally open</b>		
CRP04HPNAAEVP71 28 Vdc			
CRP04HPNCAE4P01 14 Vdc	<b>CRP04HP</b> Electrical Ls unloading valve <b>Normally closed</b>		
CRP04HPNCAEVP01 28 Vdc			
HSEVX0NA12000 12 Vdc	<b>HSEVX (*)</b> Electrical Ls unloading valve <b>Normally open</b>		
HSEVX0NA24000 24 Vdc			
HSEVX0NC12000 12 Vdc	<b>HSEVX (*)</b> Electrical Ls unloading valve <b>Normally closed</b>		
HSEVX0NC24000 24 Vdc			
HSEA004101181 (connection X G 1/4)	<b>HSEA</b> Screw-in cartridge, Ls pilot pressure for HSE inlet sections, with Ø 0.8 mm [0.03 inch] orifice	LS3 	
HSEA004101182 (connection X G 1/4)	<b>HSEA</b> Screw-in cartridge, Ls pilot pressure for HSE inlet sections	LS3 	

HPV 41

(\*) The electrical valves ATEX type XSEVX can be assembled only with the inlet section code HSE0004101275, page B-31.

## 1) CRP04HP valve features

Pilot-operated, electrically controlled 2-way / 2-position Ls unloading directional valve. For high pressures. When energized (N.C.) or deenergized (N.O.), it enables a connection between the Ls signal and tank port and every machine's function will be cut-off except the ones whose pressure is lower than the remaining  $\Delta p$  (see page B-1). Tapered poppet made up in tempered and ground steel. Available in normally open (NA) or normally closed (NC) versions.

- NA, free flow from 2 to 1 with de-energized coil.
- NC, free flow from 2 to 1 with energized coil or from 1 to 2 with de-energized coil.

The valves work with DC coils whereas RAC coils with a connector with incorporated rectifier must be used for AC applications.

Sleeve made up in galvanised steel.

Further details of the CRP04 valve, see Dana catalog code DOC00044.

Max. operating pressure	370 bar [5366 psi]
Max. flow	30 l/min [7.93 US gpm]
Max. Leakage (0-5 drops/min)	0 ÷ 0,25 cm <sup>3</sup> /min [0.015 inch <sup>3</sup> /min]
Max. excitation frequency	2 Hz
Duty cycle	100% ED
Hydraulic fluids	Mineral oil
Oil viscosity	10 ÷ 500 mm <sup>2</sup> /s (cSt)
Oil temperature	-25 ÷ +75 °C [-13 ÷ +167 °F]
Ambient temperature	-25 ÷ +60 °C [-13 ÷ +140 °F]
Max. contamination level class with filter	ISO 4406:1999 class 21/19/16
Cartridge filter	280 µm
Degree of enclosure (depending on connector)	IP 65
Weight (with coil)	0,350 kg [0.77 lb]
Cartridge tightening torque	25 ÷ 30 Nm [18.4 ÷ 22.2 lbf.ft]
Coil ring nut tightening torque	7 Nm [5.2 lbf.ft]

## 2) HSEVX - ATEX valve features





In combination with the MHPX and MHOX electro-hydraulic modules another safety solenoid valve, HSEVX, can be inserted in the inlet sections.

The HSEVX solenoid valve can be configured normally open or normally closed. When deactivated (NO) or active (NC), it provides the immediate discharging of the signal with the consequent close down of all actuator movements (venting condition of the entire hydraulic system). HSEVX solenoid valve can be inserted into those inlet sections that are prearranged with the proper cavity: for further informations please refer to our Technical Dept.

The conformity certification of the solenoids of HSEVX will be provided separately, according to the ATEX 2014/34/UE Directive.

When the modules are individually supplied, a label is attached to the module with the following labelling:

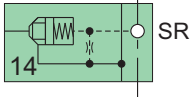
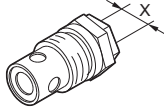
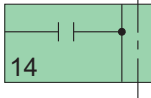
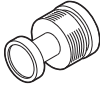


 II 2 GD c T4 / T135°C  
 T<sub>amb</sub>= -20 °C ÷ +50 °C  
 T<sub>fluid</sub>= -20 °C ÷ +80 °C

**ATEX electro-hydraulic modules for HPV features and safety instructions see page A-3.**

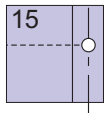
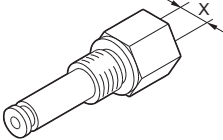
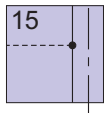
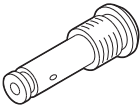
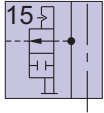
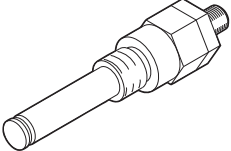
**For the wiring diagram of module, please refer to Instruction manual.**

Nominal voltage	12 VDC	24 VDC
Coil resistance, R <sub>20</sub>	9 Ω ± 6%	35.8 Ω ± 6%
Min. current	700 mA	350 mA
Max. current	1850 mA	930 mA
Limit power	14.3 W	14.4 W
Ambient temperature	-20 ÷ +50 °C [-4 ÷ +122 °F]	
Connection cable	FL4G11Y - 3 x 1.5 mm <sup>2</sup> [3 x 15 AWG] L = 5-5.1 mt [197-201 inch]	
Integrated diode to limit switch-off overvoltage	See coil manufacturer manual	
Short-circuit protection	With fuse - See coil manufacturer manual	
Duty cycle	100%	
Input pressure	Max. 400 bar [5800 psi]	
Switching pressure	Max 200 bar [2900 psi]	
Operating Limits	400 bar at max. flow 7 l/min [5800 psi at max. flow 1.85 US gpm]	
Flow P → T at $\Delta p = 2$ bar [29 psi]	> 6.5 l/min [1.71 US gpm]	
Leakage P → T (Oil Temp. 50°C [122 °F] / Input press. 400 bar [5800 psi])	< 20 ml/min [< 0.005 US gpm]	
Fluid temperature	-20 ÷ +80 °C [-4 ÷ +176 °F]	
Ground connection	Up to 4 mm <sup>2</sup> [11 AWG]	
Protection class (DIN VDE 0580)	I	
Fluids	Hydraulic oil to DIN 51524. ATF-oil	
Protection ratings (DIN VDE 0470 / EN 60529)	IP67 / IP69K	
Shock-resistance to EN 50014	4 J	
ATEX directive	See page A-3	
ATEX marking	See page A-4	

## Field 14 - Pilot oil supply

Code		Description	Symbol / Field	Draw
BSPB	UN - UNF			
<b>HSER004101190</b> (connection X G 1/4)	<b>HSER004101191</b> (connection X 7/16 UNF)	<b>HSER</b> Pump unloading cartridge valve, for HSE modules only, key 30 mm [1.18 inch]. Tightening torque $24 \pm 2$ Nm [ $17.7 \pm 1.5$ lbt.ft]		
<b>HSES004101195</b>		<b>HSES</b> Plug for HSER cavity. <b>HSE modules only.</b>		

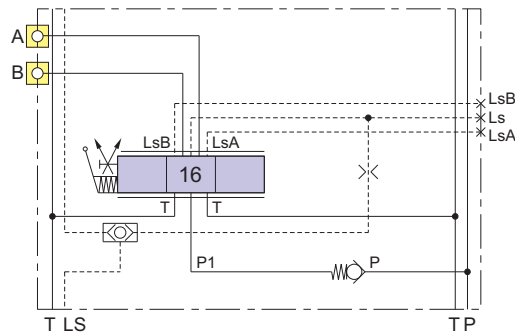
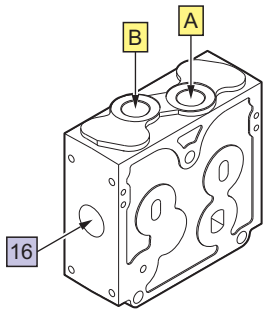
## Field 15 - Facilities for pump unloading

Code		Description	Symbol / Field	Draw
BSPB	UN - UNF			
<b>HSEE004101200</b> (connection X G 1/4)	<b>HSEE004101201</b> (connection X 7/16 UNF)	<b>HSEE</b> External pilot oil supply cartridge		
<b>HSEI004101202</b>		<b>HSEI</b> Internal pilot oil supply cartridge		
<b>HSEN004101206</b>		<b>HSEN</b> Internal pilot oil supply and cut-off cartridge		



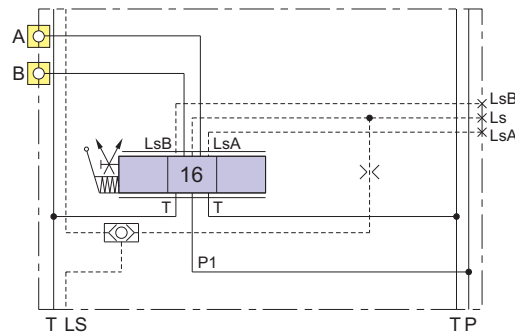
- **Features**
- Other hydraulic features: see page B-8.
- Connections: A,B: 1/2" BSPP or 7/8" - 14UNF-2B
- Made in cast iron

**With no facilities for valves**



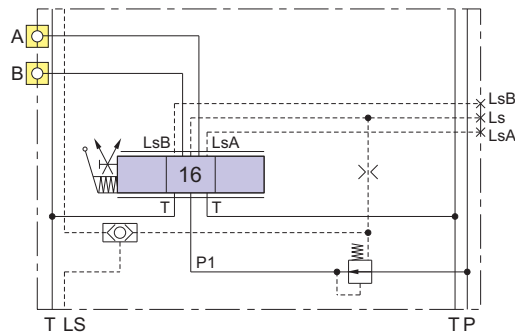
**Without pressure compensator  
With load drop check valve**

Code	
BSPP	UN - UNF
HEM0004102071	HEM0004102081



**Without pressure compensator**

Code	
BSPP	UN - UNF
HEM0004102070	HEM0004102080



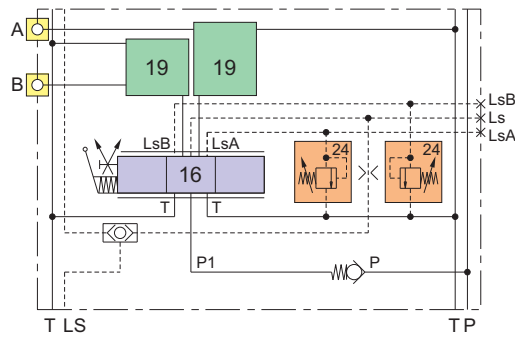
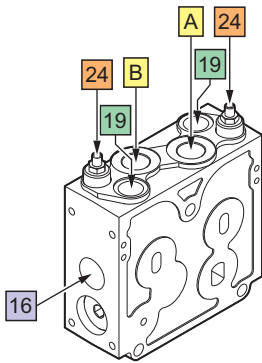
**With pressure compensator**

Code	
BSPP	UN - UNF
HEM0004102190	HEM0004102200

16 Spool page B-46

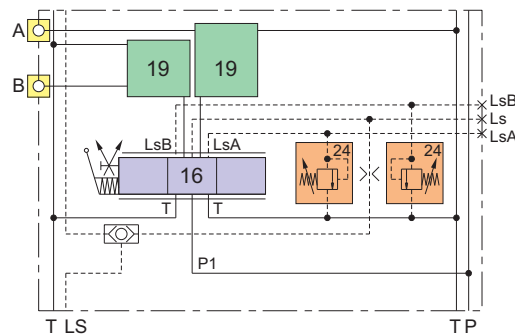
A/B Alternatively closing plug HETS004103002 page B-52

With adjustable LsA LsB pressure relief valves.  
Preranged for shock-suction valves



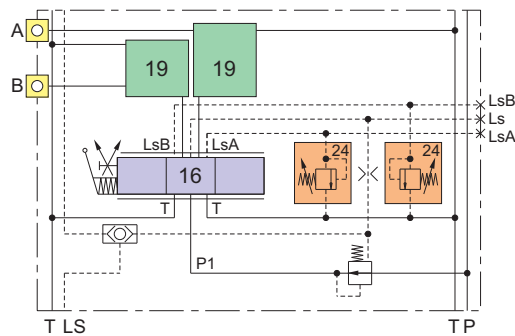
Without pressure compensator  
With load drop check valve

Code	
BSP	UN - UNF
HEM0004102031	HEM0004102041



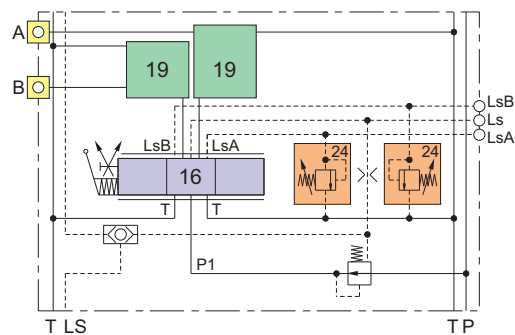
Without pressure compensator

Code	
BSP	UN - UNF
HEM0004102030	HEM0004102040



With pressure compensator

Code	
BSP	UN - UNF
HEM0004102150	HEM0004102160



With pressure compensator

Code	
BSP	UN - UNF
HEM0004102130	HEM0004102140

Preranged for: shock-suction valves  
electrical LsA - LsB signal unloading  
modules (MHFK, MHCP, MHFOX  
modules).

16 Spool page B-46

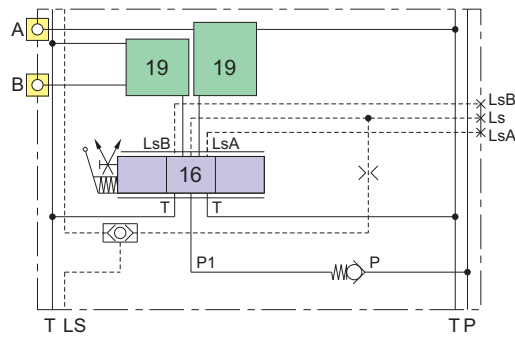
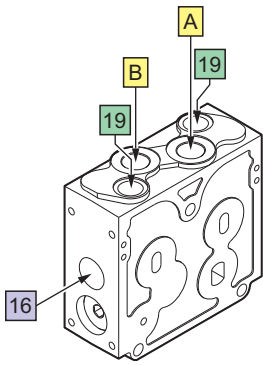
19 Seats for valve HEAA - HEAD - HEAT - HEAN or plug HETS page B-50

24 Pressure relief valves LsA e LsB, alternatively kit for closing seat HESC004103007 page B-52

A/B + 19 Alternatively plugs kit HESC004103008 page B-52

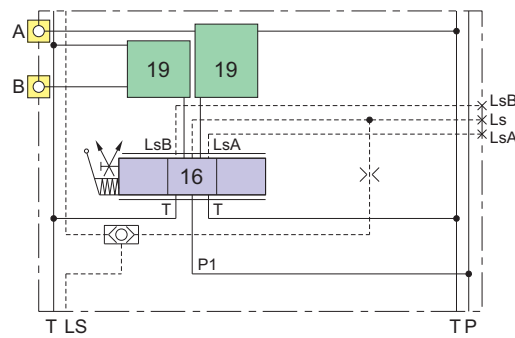
A/B + 19 + 24 Alternatively plugs kit HESC004103009 page B-52

Prearranged for shock-suction valves



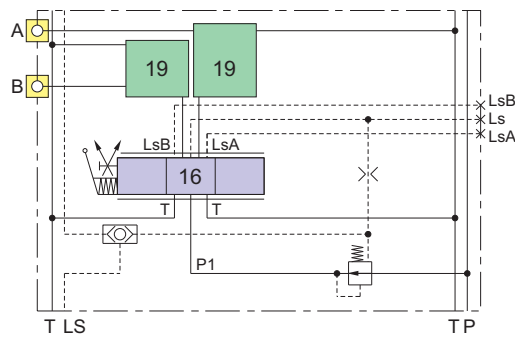
Without pressure compensator  
With load drop check valve

Code	
BSPB	UN - UNF
HEM0004102051	HEM0004102061



Without pressure compensator

Code	
BSPB	UN - UNF
HEM0004102050	HEM0004102060



With pressure compensator

Code	
BSPB	UN - UNF
HEM0004102170	HEM0004102180

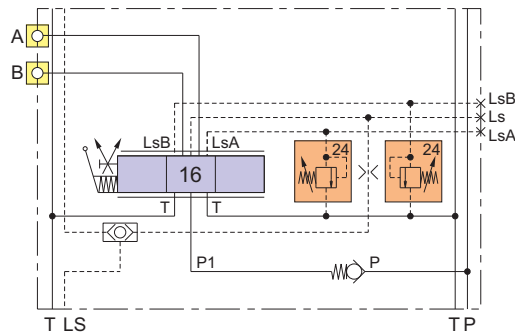
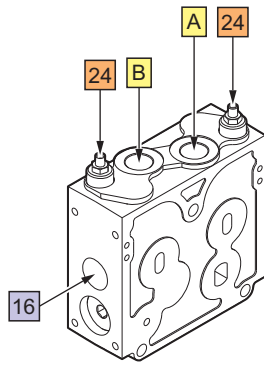
16 Spool page B-46

19 Seats for valve HEAA - HEAD - HEAT - HEAN or plug HETS page B-50

A/B + 19 Alternatively plugs kit HESC004103008 page B-52

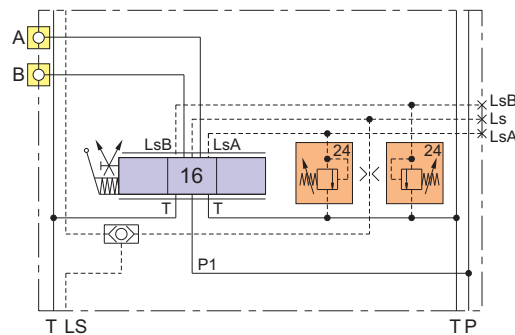


With adjustable LsA LsB pressure relief valves



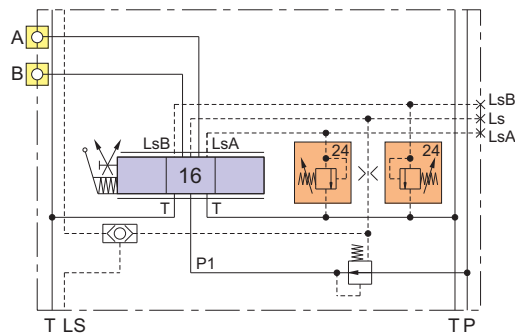
Without pressure compensator  
With load drop check valve

Code	
BSPB	UN - UNF
HEM0004102091	HEM0004102101



Without pressure compensator

Code	
BSPB	UN - UNF
HEM0004102090	HEM0004102100



With pressure compensator

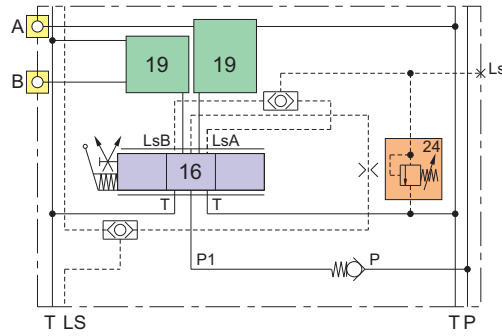
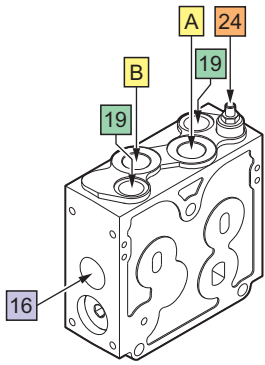
Code	
BSPB	UN - UNF
HEM0004102210	HEM0004102220

16 Spool page B-46

24 Pressure relief valves LsA e LsB, alternatively kit for closing seat HESC004103007 page B-52

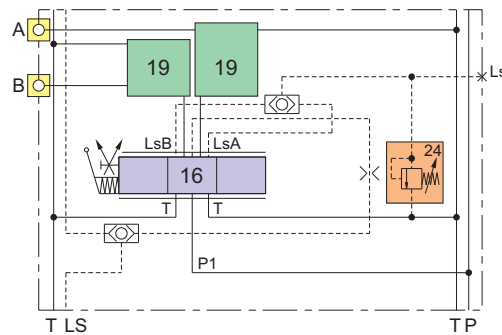
A/B Alternatively closing plug HETS004103002 page B-52

With single adjustable Ls pressure relief valve.  
Prearranged for shock-suction valves



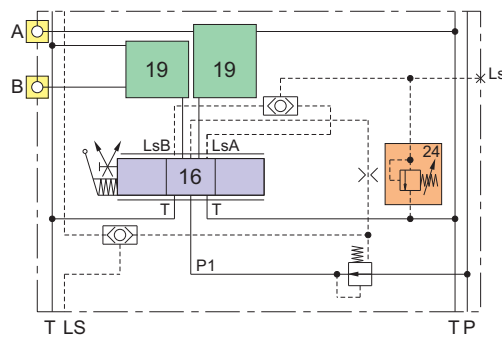
Without pressure compensator  
With load drop check valve

Code	
BSP	UN - UNF
HEM0004102111	HEM0004102121



Without pressure compensator

Code	
BSP	UN - UNF
HEM0004102110	HEM0004102120

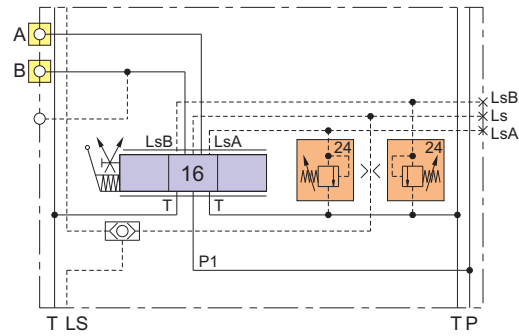
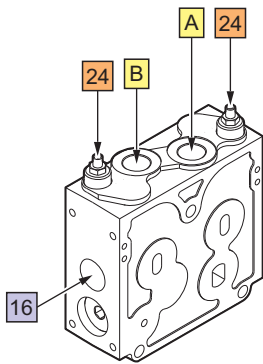


With pressure compensator

Code	
BSP	UN - UNF
HEM0004102230	HEM0004102240

- 16 Spool page B-46
- 19 Seats for valve HEAA - HEAD - HEAT - HEAN or plug HETS page B-50
- 24 Pressure relief valves LsA e LsB, alternatively kit for closing seat HESC004103007 page B-52
- A/B + 19 Alternatively plugs kit HESC004103008 page B-52
- A/B + 19 + 24 Alternatively plugs kit HESC004103009 page B-52

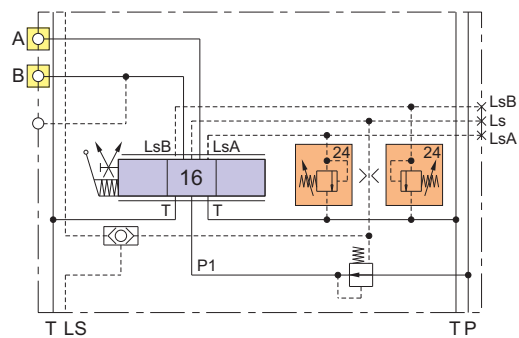
With adjustable LsA LsB pressure relief valves.  
 Prearranged for automatic hydraulic release (kick-out) in B port



Without pressure compensator

Code	
BSPP	UN - UNF
*	HEM0004102104

\* available on request



With pressure compensator

Code	
BSPP	UN - UNF
HEM0004102221	*

\* available on request

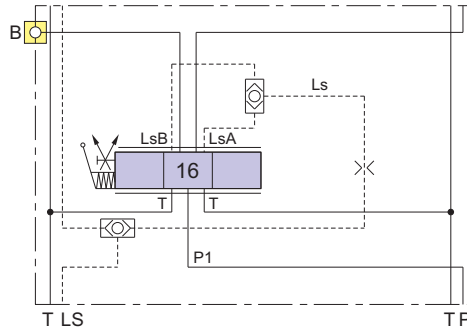
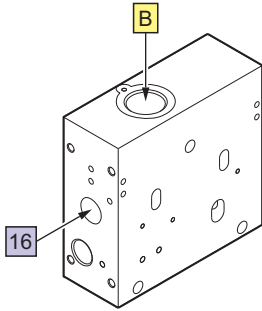
HPV 41

16 Spool page B-46

24 Pressure relief valves LsA e LsB, alternatively kit for closing seat HESC004103007 page B-52

A/B Alternatively closing plug HETS004103002 page B-52

## D. S. version (Special Distribution) for upstream / downstream subordinate actuator supply



### Without pressure compensator

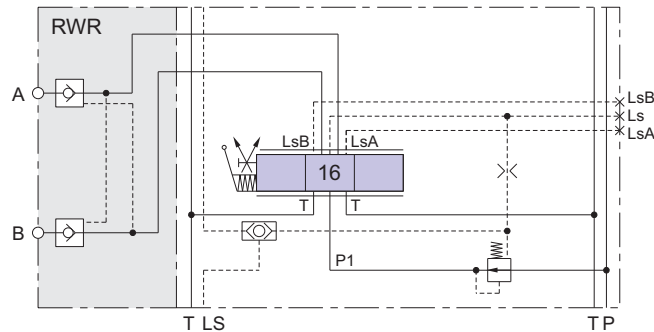
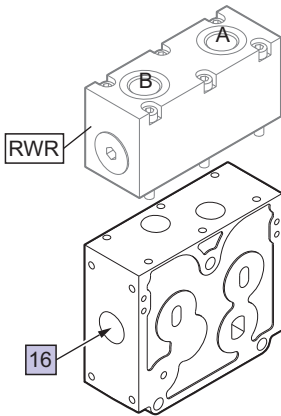
Code	
BSPP	UN - UNF
HEM0004102123	*

\* available on request

16 Spool page B-46

B Alternatively closing plug HETS004103002 page B-52

## Prearranged for RWR module (double pilot operated check valve) only

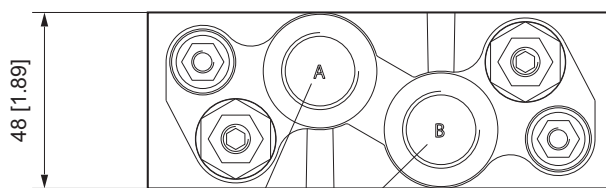
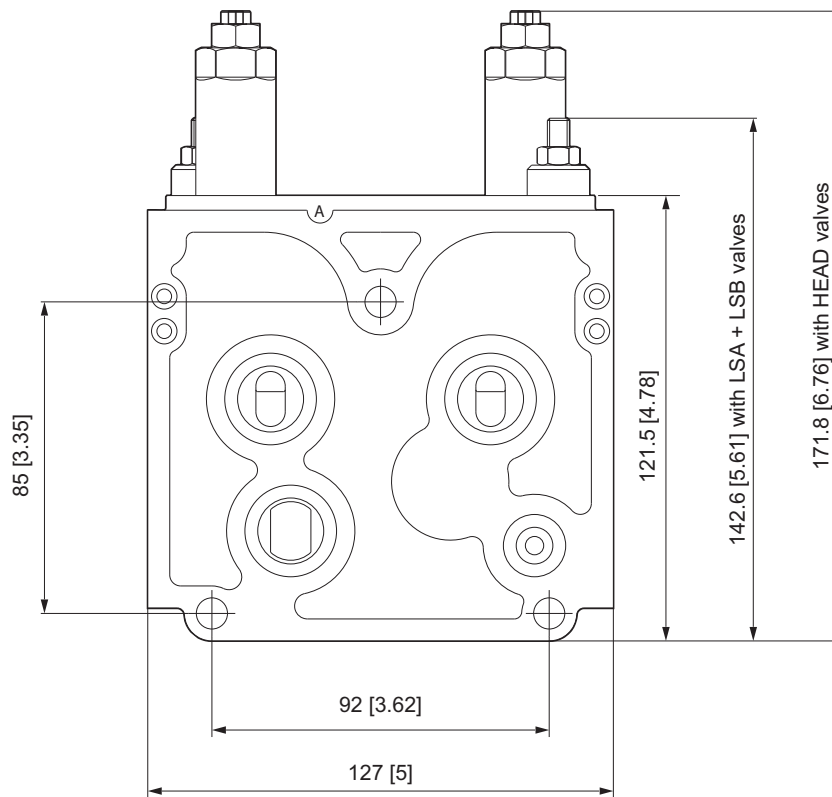


### With pressure compensator

Code	
BSPP	UN - UNF
HEM0004102400	HEM0004102401

16 Spool page B-46

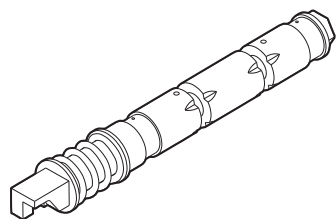
## HEM module overall dimensions



A/B  
1/2 BSPP  
7/8" 14UNF - 2B

mm [inch]

**HPV 41**



## Main spool for flow control, double acting

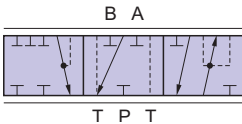
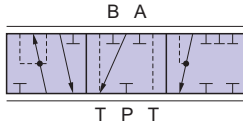
Size	Max. pressure compensated oil flow l/min [US gpm]	Symbol and ordering code			
		T P T 4-way. 3-position A, B closed	T P T 4-way. 3-position A, B → T	T P T 4-way. 3-position B → T; A closed	T P T 4-way. 3-position A → T; B closed
1	3 [0.8]	HEAS004104014	HEAS004104038	—	—
	5 [1.3]	HEAS004104009	HEAS004104039	—	—
	7.5 [2]	HEAS004104010	HEAS004104040	HEAS004104070	HEAS004104100
	12 [3.2]	HEAS004104012	HEAS004104042	—	—
2	15 [4]	HEAS004104013	HEAS004104043	HEAS004104073	HEAS004104103
3	20 [5.3]	HEAS004104015	HEAS004104045	HEAS004104075	HEAS004104105
4	25 [6.6]	HEAS004104016	HEAS004104046	-	-
	30 [7.9]	HEAS004104018	HEAS004104048	HEAS004104078	HEAS004104108
5	40 [10.6]	HEAS004104020	HEAS004104050	HEAS004104080	HEAS004104110
6	50 [13.2]	HEAS004104021	HEAS004104051	HEAS004104081	HEAS004104111
7	60 [15.9]	HEAS004104025	HEAS004104055	HEAS004104085	HEAS004104115
8	80 [21.1]	HEAS004104030	HEAS004104060	HEAS004104090	HEAS004104120
9	100 [26.4]	HEAS004104035	HEAS004104065	HEAS004104095	HEAS004104125
10	130 [34.3]	HEAS004104036	HEAS004104066	—	—

## Main spool for flow control, double acting, asymmetric flow

Max. pressure compensated oil flow l/min [US gpm]		Symbol and ordering code			
		T P T 4-way. 3-position A, B closed	T P T 4-way. 3-position A, B → T	T P T 4-way. 3-position B → T; A closed	T P T 4-way. 3-position A → T; B closed
A	B				
7.5 [2]	15 [4]	HEAS00410AAAB (*)	HEAS00410ABAB (*)	—	—
7.5 [2]	20 [5.3]	HEAS00410AAAD (*)	—	—	—
7.5 [2]	30 [7.9]	—	—	HEAS00410ACCF (*)	—
10 [2.6]	20 [5.3]	HEAS00410AACD (*)	—	—	—
12 [3.2]	20 [5.3]	HEAS004104017 (*)	HEAS004104047 (*)	—	—
12 [3.2]	30 [7.9]	—	—	—	HEAS004104076 (*)
15 [4]	30 [7.9]	HEAS00410AABF (*)	—	—	—
20 [5.3]	40 [10.6]	—	—	—	HEAS00410ACDH (*)
30 [7.9]	50 [13.2]	HEAS00410AAFI (*)	HEAS00410ABIF (*)	—	—
30 [7.9]	70 [18.5]	HEAS00410AAFO (*)	-	—	—
30 [7.9]	130 [34.3]	—	HEAS00410ABFZ (*)	—	—
40 [10.6]	60 [15.9]	—	HEAS00410ABMH (*)	—	—
50 [13.2]	80 [21.1]	HEAS00410AAIQ (*)	—	—	—
60 [15.9]	100 [26.4]	HEAS00410AAMU (*)	—	—	—
60 [15.9]	80 [21.1]	HEAS00410AAMQ (*)	—	—	—
70 [18.5]	130 [34.3]	—	HEAS00410ABOZ (*)	—	—

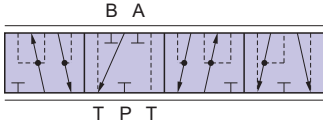
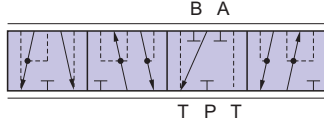
(\*) Special spool, available upon request

## Main spool for flow control, single acting

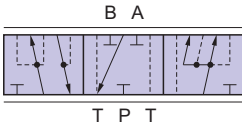
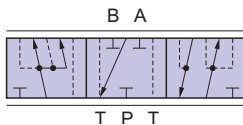
Size	Max. pressure compensated oil flow l/min [US gpm]	Symbol and ordering code	
			
		3-way, 3-position P → A	3-way, 3-position P → B
1	7.5 [2]	HEAS004104130 (*)	HEAS004104160 (*)
2	15 [4]	HEAS004104133 (*)	HEAS004104163 (*)
3	20 [5.3]	HEAS004104135 (*)	HEAS004104165 (*)
4	30 [7.9]	HEAS004104138 (*)	HEAS004104168 (*)
5	40 [10.6]	HEAS004104140 (*)	HEAS004104170 (*)
6	50 [13.2]	HEAS004104141 (*)	HEAS004104171 (*)
7	60 [15.9]	HEAS004104145 (*)	HEAS004104175 (*)
8	80 [21.1]	HEAS004104150 (*)	HEAS004104180 (*)
9	100 [26.4]	HEAS004104155 (*)	HEAS004104185 (*)

HPV 41

## Main spool for flow control, double acting, with 4th floating position

Size	Max. pressure compensated oil flow l/min [US gpm]	Symbol and ordering code	
			
		3-way, 4-position floating position on A port	3-way, 4-position floating position on B port
1	7.5 [2]	HEAS004104190 (*)	HEAS004104390 (*)
2	15 [4]	HEAS004104193 (*)	HEAS004104393 (*)
3	20 [5.3]	HEAS004104195 (*)	HEAS004104395 (*)
4	30 [7.9]	HEAS004104198 (*)	HEAS004104398 (*)
5	40 [10.6]	HEAS004104200 (*)	HEAS004104400 (*)
6	50 [13.2]	HEAS004104201 (*)	HEAS004104401 (*)
7	60 [15.9]	HEAS004104205 (*)	HEAS004104405 (*)
8	80 [21.1]	HEAS004104210 (*)	HEAS004104410 (*)
9	100 [26.4]	HEAS004104215 (*)	HEAS004104415 (*)

## HEAS modules - Main spool for flow control, double acting, regenerative function

Size	Max. pressure compensated oil flow l/min [US gpm]	Symbol and ordering code	
			
		Regenerative circuit on A port	Regenerative circuit on B port
5	40 [10.6]	HEAS004104500 (*)	HEAS004104600 (*)
6	50 [13.2]	HEAS004104501 (*)	HEAS004104601 (*)

(\*) Special spool, available upon request

## Main spool for pressure control

When using a proportional directional valve, where the overcenter valves are present, instability problems can happen to the whole system, in the form of a rise and fall of pressure. A new series of spools will suit these kinds of problems.

This system of control is called Pressure Control, and has been devised to make the overcenter valves pilot pressure more stable.

Generally, the Pressure Control function is requested for only one port (A or B), while the other port maintains the normal flow control function.

The problem manifests almost always during the re-entry of the rod, under the force of the positive load, where the only pressure requested is that which is necessary to pilot the

overcenter valves, to lower and control the load.

The Pressure Control spools must always be used with compensating elements and with pilot load sensing relief valves for A/B ports.

Using the Pressure Control solution allows a higher degree of stability to the system and the control of the function, however, we advise its use exclusively in severe cases, since:

- The valve loses own compensation, becoming "load dependent": namely, its performance varies at the variation of the working pressure;
- The pump pressure could be considerably higher than that necessary to move the load (the  $\Delta p$  through the spool is no more constant and controllable).

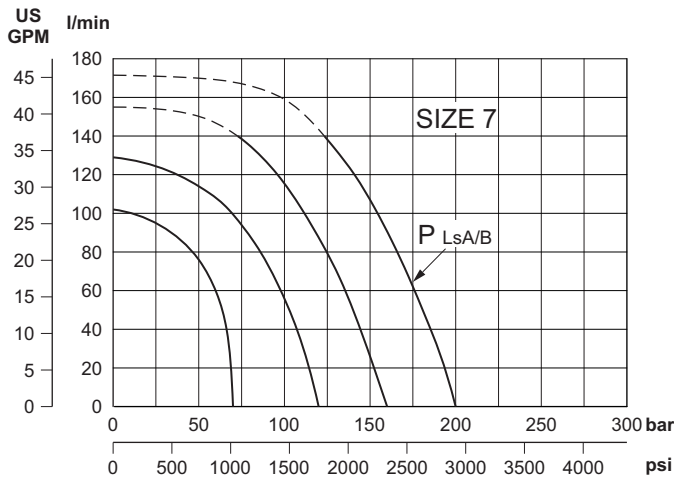
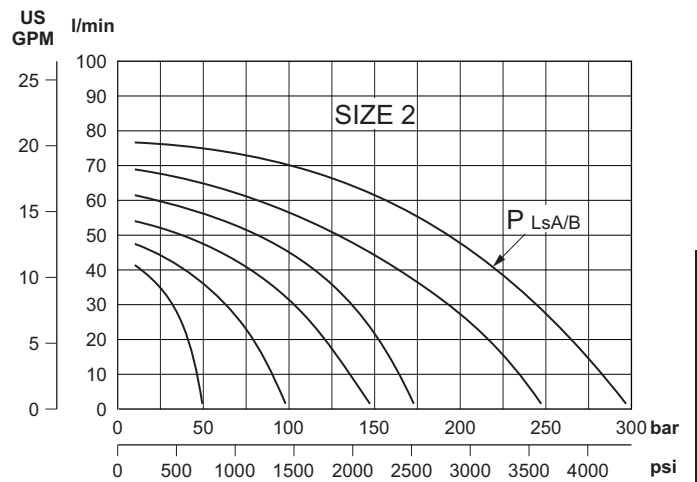
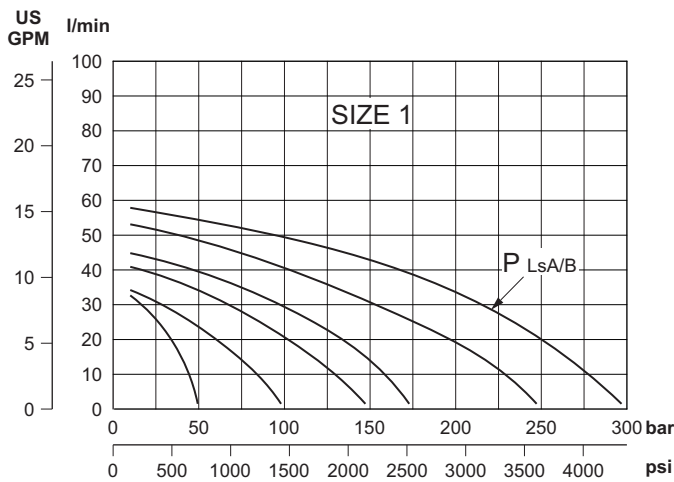
HPV 41

		Symbol and ordering code (PC = Pressure Control - FC = Flow control)					
Size							
1	HEAS00410AD07 (*) PC → A + B	HEAS00410AD11 (*) PC → A + B	HEAS00410AMAF (*) PC → A FC → B Q=30 l/min [7.9 US gpm]	—	HEAS00410AVAF (*) PC → A FC → B Q=30 l/min [7.9 US gpm]	—	
	—	—	HEAS00410AMAI (*) PC → A FC → B Q=50 l/min [13.2 US gpm]	—	HEAS00410AVAI (*) PC → A FC → B Q=50 l/min [13.2 US gpm]	—	
2	HEAS00410AD15 (*) PC → A + B	HEAS00410AD16 (*) PC → A + B	HEAS00410A040 (*) PC → A FC → B Q=60 l/min [15.8 US gpm]	—	—	—	
7	—	—	HEAS00410A060 (*) PC → A FC → B Q=100 l/min [26.4 US gpm]	—	—	—	

(\*) Special spool, available upon request



## Pressure control flow characteristics, with end spool travel

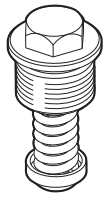


P<sub>LsA/B</sub>: Pilot pressure relief valve setting

## Typical spool oil flow tolerances

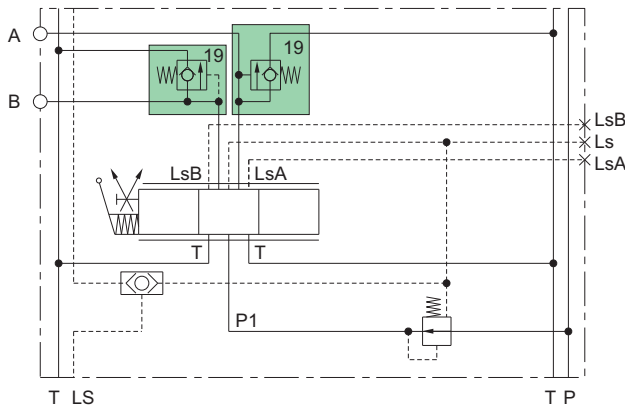
Size	Oil flow at max. spool travel	
	min l/min [US gpm]	max l/min [US gpm]
1	7 [1.8]	8.5 [2.2]
2	14.5 [3.8]	16 [4.2]
3	19 [5]	21 [5.5]
4	29 [7.7]	33 [8.7]
5	39 [10.3]	44 [11.6]
6	48.5 [12.8]	54 [14.3]
7	59 [15.6]	65 [17.2]
8	79 [20.9]	85 [22.5]
9	94 [24.8]	101 [26.7]
10	118 [31.2]	128 [33.8]

HPV 41



**HEAA**

Hydraulic diagram example

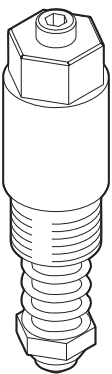
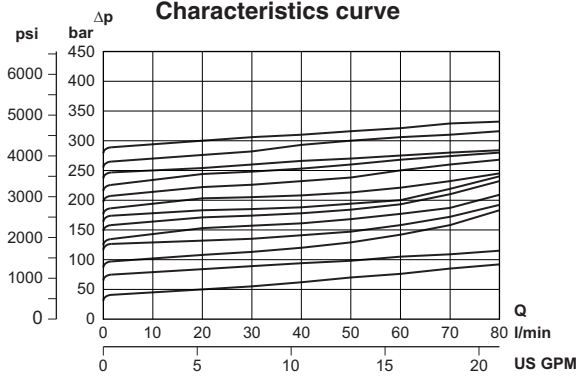


Not adjustable shock and suction valve for A – B ports,

HEAA is designed to absorb shock effects only.  
**Don't use it as a pressure relief valve.**

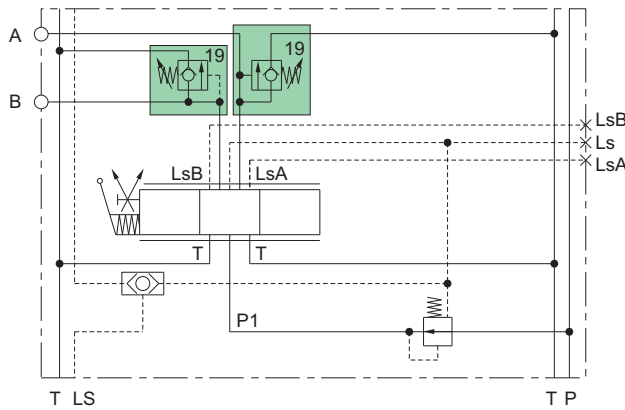
Range setting bar [psi]	Code (*)
45 [653]	HEAA004103045
60 [870]	HEAA004103060
75 [1088]	HEAA004103075
95 [1378]	HEAA004103095
120 [1740]	HEAA004103120
135 [1958]	HEAA004103135
155 [2248]	HEAA004103155
170 [2466]	HEAA004103170
190 [2756]	HEAA004103190
220 [3191]	HEAA004103220
240 [3481]	HEAA004103240
250 [3626]	HEAA004103250
270 [3916]	HEAA004103270
290 [4206]	HEAA004103290
320 [4641]	HEAA004103320

Characteristics curve



**HEAD**

Hydraulic diagram example

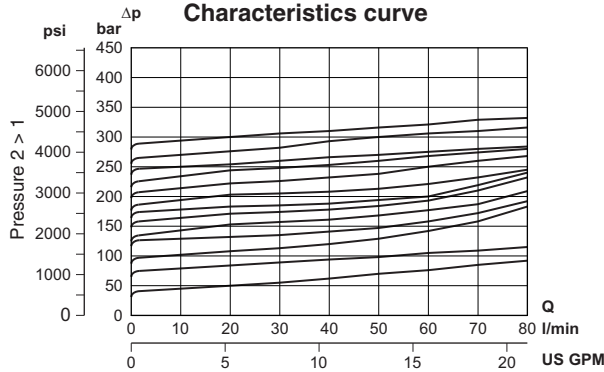


Adjustable shock and suction valve for A – B ports.

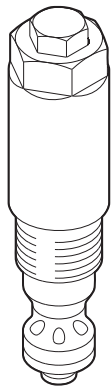
HEAD is designed to absorb shock effects only.  
**Don't use it as a pressure relief valve.**

Range setting bar [psi]	Code (*)
10 ÷ 70 [150 ÷ 1020]	HEAD004103020
71 ÷ 120 [1021 ÷ 1740]	HEAD004103022
121 ÷ 200 [1741 ÷ 2900]	HEAD004103024
201 ÷ 270 [2901 ÷ 3920]	HEAD004103026
271 ÷ 320 [3921 ÷ 4640]	HEAD004103028
321 ÷ 380 [4641 ÷ 5510]	HEAD004103030

Characteristics curve

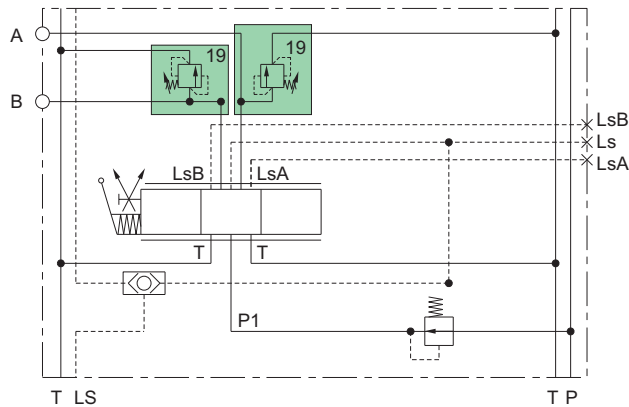


(\*) In the order form indicate the lines A and/or B on which the valves are to be mounted



**HEAT**

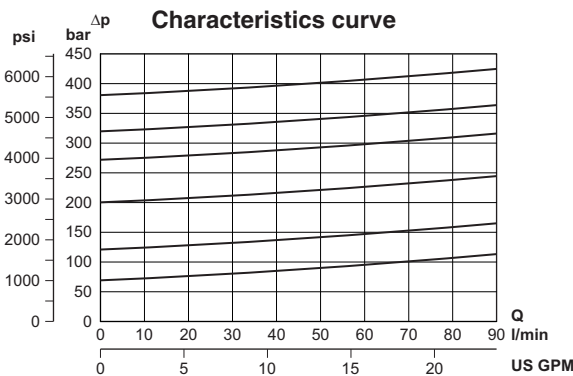
Hydraulic diagram example



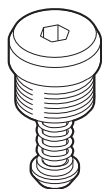
Adjustable shock valve for A – B ports

*Don't use it as a pressure relief valve.*

Range setting bar [psi]	Code (*)
10 ÷ 70 [150 ÷ 1020]	HEAT004103020
71 ÷ 120 [1021 ÷ 1740]	HEAT004103022
121 ÷ 200 [1741 ÷ 2900]	HEAT004103024
201 ÷ 270 [2901 ÷ 3920]	HEAT004103026
271 ÷ 320 [3921 ÷ 4640]	HEAT004103028
321 ÷ 380 [4641 ÷ 5510]	HEAT004103030

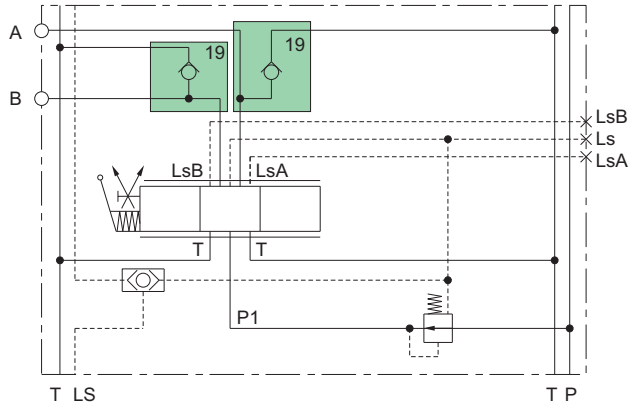


**HPV 41**



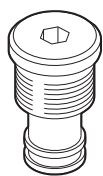
**HEAN**

Hydraulic diagram example



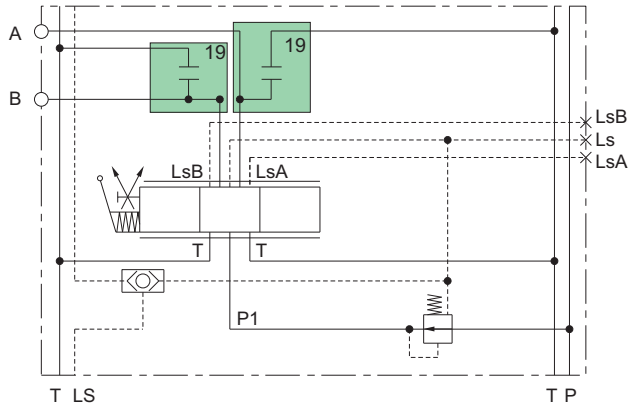
Suction valve

Code (*)
HEAN004103005



**HETS**

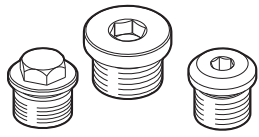
Hydraulic diagram example



Replacing plug

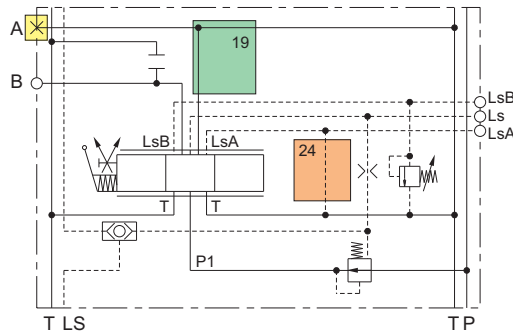
Code (*)
HETS004103000

(\*) In the order form indicate the lines A and/or B on which the valves/plugs are to be mounted



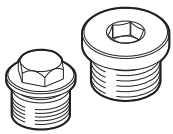
**HESC**

Hydraulic diagram example



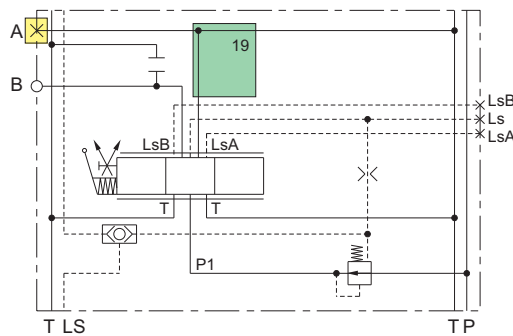
Kit for connecting the non-active port to tank, when using a single acting spool - to be fitted with HEM modules with LsA-LsB + shock and suction valves cavities

Code (*)
HESC004103009



**HESC**

Hydraulic diagram example



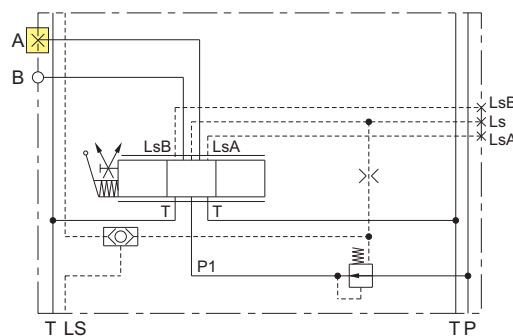
Plug for connecting the non-active port to tank, when using a single acting spool

Code (*)
HESC004103008



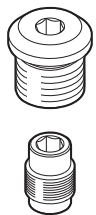
**HETS**

Hydraulic diagram example



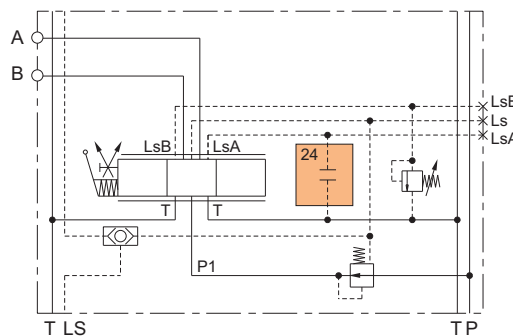
Plug for closing A or B port

Code (*)
HETS004103002



**HESC**

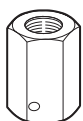
Hydraulic diagram example



Kit for closing LsA and/or LsB pressure relief valve cavity

Code (*)
HESC004103007

(\*) In the order form indicate the lines A and/or B on which the kit are to be mounted



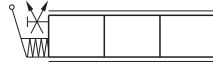
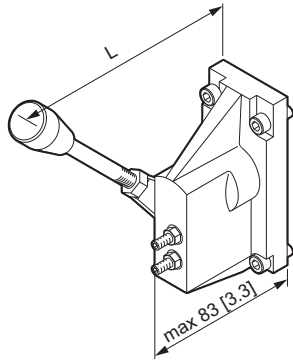
Protection cap for Ls pressure relief valve regulation screw for HEM (working sections) and HSE (inlet sections). Code number and quantity (related to no. of Ls valve mounted) must be indicated under the HEM.. or HSE.. field of the order form.

Code
KIT0004103995

(\*) In the order form indicate the lines A and/or B on which the valves/plugs are to be mounted

The control modules can be made up in aluminum or cast iron. For standard applications aluminum is used normally, for

marine or mining applications we advise the choice of cast iron. **For the ATEX versions you need to use the cast iron controls.**



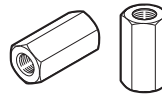
**HCM**

**Mechanical control**

Control positions: see page B-4.

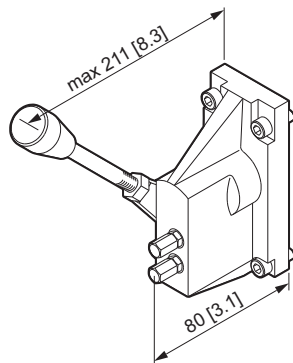
L mm [inch]	Code (Aluminum)	Code (Cast iron)
211 [8.3]	<b>HCM0004104001</b>	<b>HCM0004104000</b>
261 [10.3]	<b>HCM000410C000</b>	*

\* available on request



Code
<b>KIT0004103994</b>

**Flow adjustment protective nuts kit for HCM mechanical control**

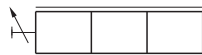
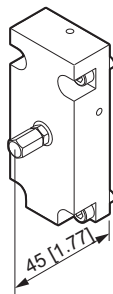


**HCM**

**Mechanical control, with flow adjustment nuts protection**

Control positions: see page B-4.

Code (Aluminum)	Code (Cast iron)
<b>HCM0004104801</b>	<b>HCM0004104800</b>

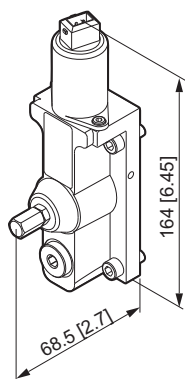


**HCF**

**Rear cover flow adjustment for:**

- MHPF electrical module
- MHPH module with stroke adjustment
- ATEX modules.

Code (Aluminum)	Code (Cast iron)
<b>HCF0004103996</b>	<b>HCF0004103997</b>



**MSPF**

### MSPF electrohydraulic proportional module

MSPF is one of the series of PWM open loop electrical activation units.

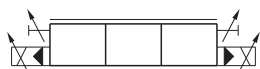
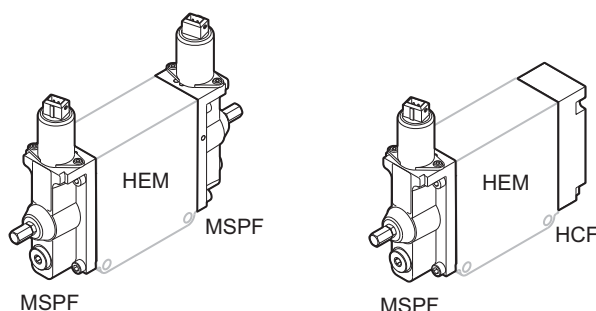
MSPF can be controlled either in proportional or in on-off mode. With electrical proportional actuation, the main spool position is adjusted by the pilot pressure, so that it corresponds to an electrical signal (PWM) coming from a remote control unit. With electrical on-off actuation, the main spool is moved from neutral to maximum stroke when one of the two pressure reducing solenoid valves is energized.

MSPF is recommended where there is a requirement for medium resolution proportional control and where hysteresis is not critical.

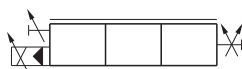
MSPF is being supplied without manual spool control, thus allowing both smaller overall dimensions and cost effective compared to MHPF, HCK modules.

The MSPF module has the following main features:

- On-off and proportional mode;
- Quick reaction time;
- Electro-proportional pressure reducing valves;
- PWM control of low-frequency solenoid valves;
- Low hysteresis and good sensitivity;
- Mechanical flow adjustment;
- Pilot pressure ports;
- Possibility of operating in double acting or single acting with HCF module (see page B-53).



Example with 2 modules MSPF (double effect)



Example with 1 module MSPF and rear cover HCF (single effect in B)

Voltage	Code (Aluminum)	
	BSPP	UN - UNF
12 Vdc	<b>MSPF004107065</b>	*
24 Vdc	<b>MSPF004107066</b>	*

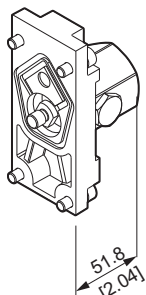
\* available on request

Rated voltage	12 Vdc	24 Vdc
Supply voltage	11 to 15 V	22 to 30 V
Max. ripple	8 %	
Max. current	1500 mA ± 10	750 mA ± 10
Power consumption	18 W at 22 °C [71.6 °F] coil temperature	
Start spool travel	560 mA	260 mA
End spool travel	1050 mA	520 mA
R <sub>20</sub>	4.72 Ω ± 5 %	20.8 Ω ± 5 %
Heat insulation	Class H, 180 °C [356 °F]	
Oil temperature	Recommended	-30 ÷ +60 °C [-22 ÷ +140 °F]
	Min	-30 °C [-22 °F]
	Max	+90 °C [+194 °F]
Dither adjustment	75 Hz	
Inductance	8.5 mH	70 mH
Current variation	100 mA/s	50 mA/s
Duty cycle % ED on-off operating	14 V = 100	28 V = 100
	15 V = 50	30 V = 50
Plug connector	2-pole AMP Junior Power Timer	
Reaction time from neutral position to end spool stroke (constant voltage)	120 ms	
Reaction time from end spool stroke to neutral position (constant voltage)	90 ms	
Grade of enclosure to IEC 529, with female connector	IP 65	

Electrical connections for MSPF-MHPF-HCK working sections, see page: E-2

The control modules can be made up in aluminum or cast iron. For standard applications aluminum is used normally, for

marine or mining applications we advise the choice of cast iron. **For the ATEX versions you need to use the cast iron controls.**

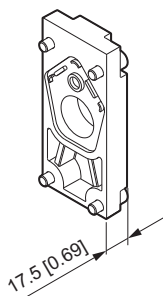


**HCN**



**Friction control**

Code (Aluminum)	Code (Cast iron)
HCN0004103501	HCN0004103500

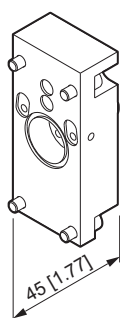


**HCP**



**Rear cover**

Code (Aluminum)	Code (Cast iron)
HCP0004104002	HCP0004104008



**HCPA**



**Rear cover with stroke adjustment**

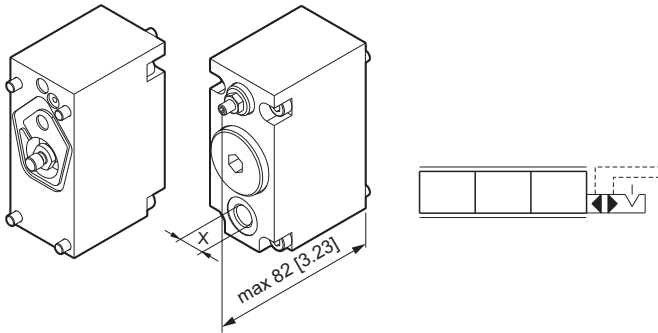
Code (Aluminum)	Code (Cast iron)
—	HCPA004103990

**HPV 41**

The control modules can be made up in aluminum or cast iron. For standard applications aluminum is used normally, for

marine or mining applications we advise the choice of cast iron. **For the ATEX versions you need to use the cast iron controls.**

HPV 41

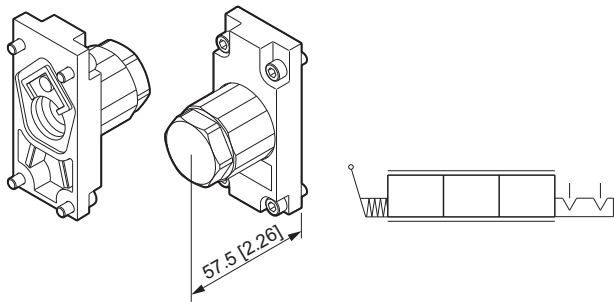


**HCPK**

**Mechanical B-port lock device, with automatic hydraulic release (kick-out)**

For the working section HEM0004102221 (see page B-43).

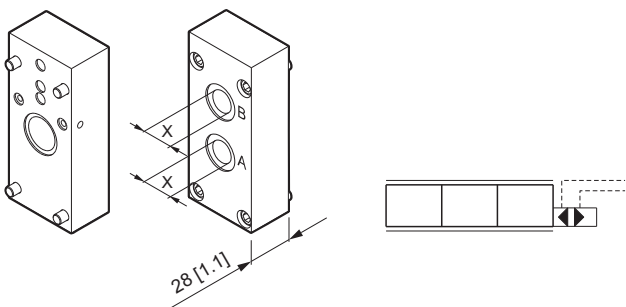
<b>Control</b>	<b>Code (Cast iron)</b>
	<b>(X) 1/4 BSPP</b>
P → B lock P → A free	<b>HCPK004104218</b>



**HCPD**

**Mechanical spool lock device, manual release**

<b>Control</b>	<b>Code (Aluminum)</b>	<b>Code (Cast iron)</b>
P → A lock P → B free	<b>HCPD004104003</b>	<b>HCPD004103900</b>
P → B lock P → A free	<b>HCPD004104004</b>	<b>HCPD004103901</b>
P → A lock P → B lock	<b>HCPD004104005</b>	<b>HCPD004103902</b>
P → A float P → B free	<b>HCPD004103998</b>	<b>HCPD004103898</b>
P → B float P → A free	<b>HCPD004103999</b>	<b>HCPD004103899</b>



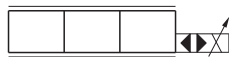
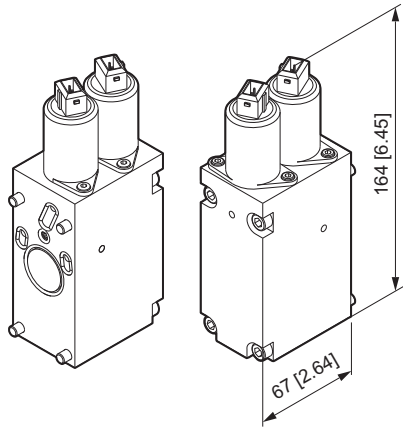
**MHPH**

**Hydraulic activation**

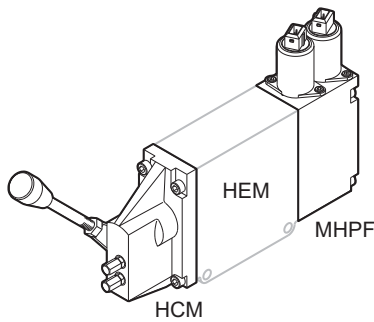
- Start pilot pressure: 4.5 bar [65 psi]
- End stroke pressure: 15 bar [218 psi]
- Max. pilot pressure: 30 bar [435 psi]

<b>Thread</b>	<b>Code (Aluminum)</b>	<b>Code (Cast iron)</b>
(X) 1/4 BSPP	<b>MHPH004104222</b>	<b>MHPH004104229</b>
(X) 7/16" - 20 UNF	<b>MHPH004104223</b>	<b>MHPH004104235</b>





## MHPF



Example with module MHPF and manual control HCM

### MHPF electrohydraulic PROPORTIONAL module

MHPF proportional electrohydraulic module shifts the position of the spool precisely in proportion to an electric current signal generated by the remote control.

The spool is shifted by means of the hydraulic pressure generated by the pressure-reduction proportional solenoid valves. The MHPF module is not equipped with an inductive position transducer (LVDT) and the entire electronic circuit to detect and signal faults.

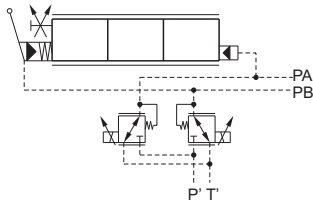
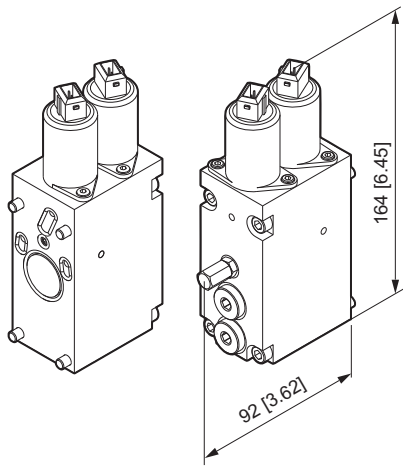
This means that in the joystick remote control phase, any control (for example a manual control) that overrides the force exerted by the pressure reduction valves on the spool, may vary the position of that spool without any error signal and without inhibition, leaving the safety of the entire hydraulic system to the visual operator control, only.

MHPF module has the following main features:

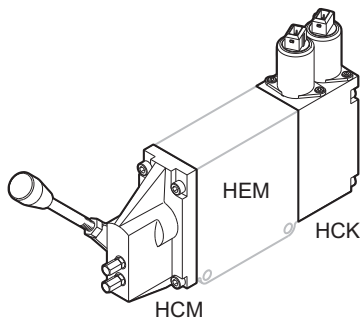
- It can be operated with on-off signals also
- Short response time
- Electro-proportional pressure reduction valves
- PWM electric control of low-frequency solenoid valves
- Any adjustment to limit the flow or to create work ramps will be made directly on the remote control
- Very low hysteresis and excellent sensitivity

Voltage	Code (Aluminum)	Code (Cast iron)
12 Vdc	<b>MHPF004107051</b>	<b>MHPF004107053</b>
24 Vdc	<b>MHPF004107052</b>	<b>MHPF004107054</b>

Rated voltage		12 Vdc	24 Vdc
Power supply voltage range		11 to 15 V	22 to 30 V
Max. ripple		8 %	
Max. current		1500 mA ± 10	750 mA ± 10
Power consumption		18 W at 22 °C [71.6 °F] coil temperature	
Start spool travel		560 mA	280 mA
End spool travel		1080 mA	520 mA
R <sub>20</sub>		4.72 Ω ± 5 %	20.8 Ω ± 5 %
Heat insulation		Class H, 180 °C [356 °F]	
Oil temperature	Recommended	-30 ÷ +60 °C [-22 ÷ +140 °F]	
	Min	-30 °C [-22 °F]	
	Max	+90 °C [+194 °F]	
Dither adjustment		75 Hz	
Inductance		8.5 mH	70 mH
Current variation		100 mA/s	50 mA/s
Duty cycle % ED on-off operating		14 V = 100	28 V = 100
		15 V = 50	30 V = 50
Plug connector		2-pole AMP Junior Power Timer	
Reaction time from neutral position to end spool stroke (constant voltage)		120 ms	
Reaction time from end spool stroke to neutral position (constant voltage)		90 ms	
Grade of enclosure to IEC 529, with female connector		IP 65	



## HCK



Example with module HCK and manual control HCM

### HCK electrohydraulic PROPORTIONAL module with pilot oil connections

HCK proportional electrohydraulic module shifts the position of the spool precisely in proportion to an electric current signal generated by the remote control.

The spool is shifted by means of the hydraulic pressure generated by the pressure-reduction proportional solenoid valves. HCK module is not equipped with an inductive position transducer (LVDT) and the entire electronic circuit to detect and signal faults. This means that in the joystick remote control phase, any control (for example a manual control) that overrides the force exerted by the pressure reduction valves on the spool, may vary the position of that spool without any error signal and without inhibition, leaving the safety of the entire hydraulic system to the visual operator control, only.

**Thanks to the 2 additional pilot oil supply connections, HCK is recommended where there is a requirement for a single output control to be used to achieve 2 simultaneously or sequence spool movements, or to change the displacement onto hydraulic motors, making the use of HPV even more flexible.**

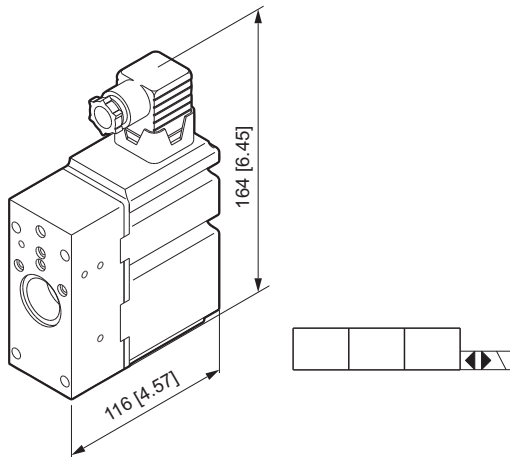
HCK module has the following main features:

- It can be operated with on-off signals also
- Short response time
- Electro-proportional pressure reduction valves
- PWM electric control of low-frequency solenoid valves
- Any adjustment to limit the flow or to create work ramps can be made directly on the remote control
- Very low hysteresis and excellent sensitivity

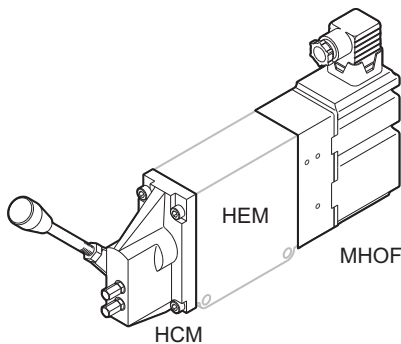
Voltage	Code (Cast iron)
12 Vdc	<b>HCK0004108100</b>
24 Vdc	<b>HCK0004108101</b>

Rated voltage	12 Vdc	24 Vdc
Power supply voltage range	11 to 15 V	22 to 30 V
Max. ripple	8 %	
Max. current	1500 mA ± 10	750 mA ± 10
Power consumption	18 W at 22 °C [71.6 °F] coil temperature	
Start spool travel	560 mA	280 mA
End spool travel	1080 mA	520 mA
R <sub>20</sub>	4.72 Ω ± 5 %	20.8 Ω ± 5 %
Max. pressure pilot oil supply	30 bar [435 psi]	
Heat insulation	Class H, 180 °C [356 °F]	
Oil temperature	Recommended	-30 ÷ +60 °C [-22 ÷ +140 °F]
	Min	-30 °C [-22 °F]
	Max	+90 °C [+194 °F]
Dither adjustment	75 Hz	
Inductance	8.5 mH	70 mH
Current variation	100 mA/s	50 mA/s
Duty cycle % ED on-off operating	14 V = 100	28 V = 100
	15 V = 50	30 V = 50
Plug connector	2-pole AMP Junior Power Timer	
Reaction time from neutral position to end spool stroke (constant voltage)	120 ms	
Reaction time from end spool stroke to neutral position (constant voltage)	90 ms	
Grade of enclosure to IEC 529, with female connector	IP 65	

Electrical connections for MSPF-MHPF-HCK working sections, see page: E-2



## MHOF



Example with module MHOF and manual control HCM

### MHOF electrohydraulic ON-OFF module

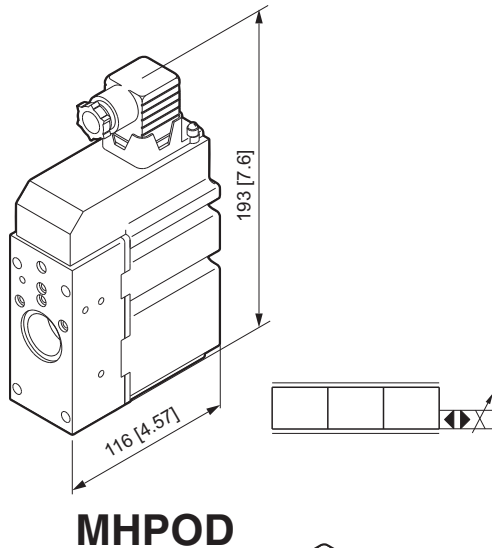
The MHOF electrohydraulic module moves the spool in relation to an electric signal generated by the joystick or by a switch.

The hydraulic pressure generated by the on-off solenoid valves forces the spool not to stop in any intermediate position between the neutral position and the maximum stroke

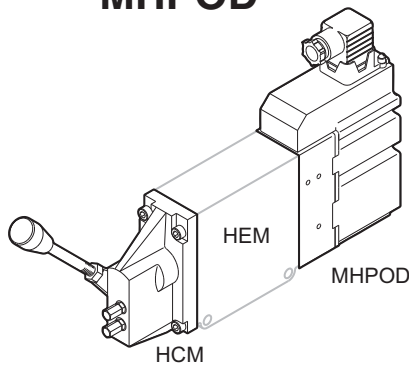
Voltage	Code (Aluminum)
12 Vdc	<b>MHOF004107027</b>
24 Vdc	<b>MHOF004107028</b>

Rated voltage	12 Vdc	24 Vdc
Power supply voltage range	11 to 15 V	21 to 28 V
Resistance at 20 °C [68 °F]	9.1 Ω	36.2 Ω
Current consumption	1480 mA	750 mA
Rated absorbed power	16 W	
Heat insulation	Class H, 180 °C [356 °F]	
Duty cycle	ED 100%	
Reaction time	From neutral position to max. spool travel	130 ms
	From max. spool travel to neutral position	110 ms
Max. operating temperature	80° C [176 °F]	
Ambient temperature	-30 ÷ +60 °C [-22 ÷ +140 °F]	
Connector	Standard (IP 65) according to DIN 43650 / ISO 4400	
Enclosure to IEC 529	IP 65	

Electrical connections for MHOF controls, see page: E-3



**MHPOD**



Example with module MHPOD and manual control HCM

### MHPOD electrohydraulic PROPORTIONAL module

MHPOD is an open loop electrohydraulic activation unit, whose design is based on digital technology.

MHPOD has been specially developed to meet the harsh operating requirements of today's mobile machine market. MHPOD electrical open loop proportional actuation operates the main spool's shift according to an electrical signal coming from a remote control unit, and is recommended where a simple proportional control is required, and where hysteresis and reaction time are not critical.

MHPOD does not have the inductive position transceiver (LVDT) and any electronic circuit for faults monitoring. This means that any forces that override the pilot pressure spool forces may change the spool position with no error signal, and the safety of the whole system is left to the operator's visual control, only.

MHPOD is defined by:

- Capacity to handle three different kinds of input signal control (see chart below).
- The required signal control is to be stated in the order phase
- Integrated PWM (Pulse Width Modulator)
- Good flow regulation
- Simple built-up.

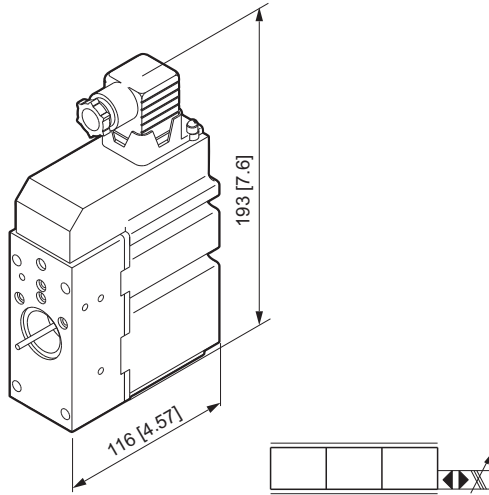
Voltage	Input signal control		
	0.5 x U <sub>bc</sub> (A) joystick	0 ÷ 10 V <sub>dc</sub> (B) PLC	0 ÷ 20 mA (C) PLC
12 Vdc	<b>MHPOD04108077</b>	<b>MHPOD04108082</b>	<b>MHPOD04108086</b>
24 Vdc	<b>MHPOD04108075</b>	<b>MHPOD04108084</b>	<b>MHPOD04108088</b>

Aluminum body

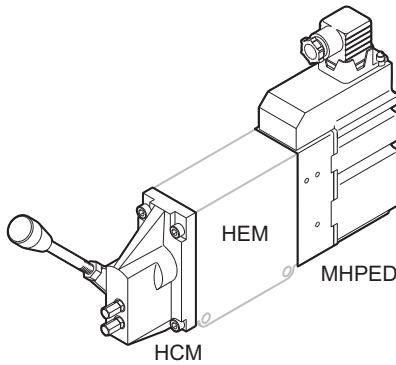
Rated voltage	12 Vdc	24 Vdc
Power supply voltage range	11 ÷ 15 V	20 ÷ 28 V
Max. ripple	5 %	
Current supply	520 mA	260 mA
Current consumption (neutral position, constant voltage)	36 mA	46 mA
Power consumption	6 W	
Heat insulation	Class H 180 °C [256 °F]	
Reaction time (constant voltage)	From neutral position to max. spool travel	110 ÷ 140 ms
	From max. spool travel to neutral position	70 ÷ 90 ms
Reaction time (neutral switch)	From neutral position to max. spool travel	130 ÷ 170 ms
	From max. spool travel to neutral position	70 ÷ 90 ms
Connector	Standard (IP 65) according to DIN 43650 / ISO 4400	
Enclosure to IEC 529	IP 65	

<b>(A)</b> joystick	Input signal control	Neutral position	0.5 x U <sub>DC</sub>
		Control range	0.25 x U <sub>DC</sub> to 0.75 x U <sub>DC</sub>
	Max. current signal control		0.5 mA
	Input impedance in relation to 0.5 x U <sub>DC</sub>		12 kΩ
<b>(B)</b> PLC	Input signal control	Voltage	0 ÷ 10 V <sub>DC</sub>
		Neutral position	5 V <sub>DC</sub>
		Control range	0.25 x 10 V <sub>DC</sub> to 0.75 x 10 V <sub>DC</sub>
	Current signal control		0.5 mA
	Input impedance in relation to 0 ÷ 10 V <sub>DC</sub>		20 kΩ
<b>(C)</b> PLC	Input signal control	Current	0 ÷ 20 mA
		Neutral position	10 mA
		Control range	0.25 x 20 mA to 0.75 x 20 mA
		Input impedance in relation to 0 ÷ 20 mA	

Electrical connections for MHPOD controls, see page: E-4



**MHPED**



Example with module MHPED and manual control HCM

Thanks to the developments in digital electronics, it has been possible to integrate in the MHPED modules, besides all the algorithms needed for the spool movement control, also a wide range of advanced circuits above all conceived for the safety and handling of complete systems.

The use of the module in the **passive or active version** allows the electrohydraulic system to be obtained with different safety degrees, for the choice of which it is essential to know the required functions exactly.

Once this condition has been fulfilled, and work is going on in the area stated above, with the four examples described in the following pages, we can always give you the best solution.

The diagrams represents just a few possibilities, advised by experience, of how the assesment of degree of protection system ought always to be made.

This does not mean that considering the enormity of the subject and need for ever-increasing flexibility and performance of the industrial machinery with tighter and tighter safety rules, custom-built solutions can not be taken into account.

**MHPED electrohydraulic PROPORTIONAL module**

MHPED is a closed loop electrohydraulic activation unit, whose design is based on digital technology. MHPED has been specially developed to meet the harsh operating requirements of today's mobile machine market.

MHPED electrical closed loop proportional actuation operates safely and precisely the main spool's shift according to an electrical signal coming from a remote control unit, and is recommended where precise metering control, low hysteresis, fault monitoring, and fast system reaction are paramount.

The input signal, by means of the PCB and the two reducing proportional solenoid valves, is converted into a low pilot pressure which inturn moves the HPV's spool.

The inductive transducer position (LVDT) ensures that the spool is being moved in the correct position, otherwise, in the event of uncontrolled spool positioning, the feed-back signal wuill detect it as an error and it will fast react operator independent (fault monitoring system, see diagrams in the following pages).

MHPED is defined by:

- Capacity to handle three different kinds of input signal control (see chart below).  
The required signal control is to be stated in the order phase.
- Inductive transducer position, LVDT (Linear Variable Differential Transformer)
- Integrated PWM (Pulse Width Modulator)
- Fault monitoring, transistor output for signal source
- Excellent regulation
- Low hysteresis
- Short reaction time

**Active version**

Voltage	Input signal control		
	0.5 x U <sub>DC</sub> (A) joystick	0 ÷ 10 V <sub>DC</sub> (B) PLC	0 ÷ 20 mA (C) PLC
12 Vdc	MHPED04108011	MHPED04108018	MHPED04108026
24 Vdc	MHPED04108010	MHPED04108020	MHPED04108028

**Passive version**

Voltage	Input signal control		
	0.5 x U <sub>DC</sub> (A) joystick	0 ÷ 10 V <sub>DC</sub> (B) PLC	0 ÷ 20 mA (C) PLC
12 Vdc	MHPED04108009	MHPED04108022	MHPED04108030
24 Vdc	MHPED04108007	MHPED04108024	MHPED04108032

Aluminum body

Electrical connections for MHPED controls, see page: E-5

HPV 41

HPV 41

Rated voltage		12 Vdc	24 Vdc
Power supply voltage range		11 ÷ 15 V	20 ÷ 28 V
Max. ripple		5 %	
End stroke spool current consumption		520 mA	260 mA
Current consumption (neutral position, constant voltage)		36 mA	46 mA
Power consumption		6 W	
Heat insulation		Class H 180 °C [356 °F]	
Fault monitoring system	Max. current on safety output (pin no. 3, page D-5)	50 mA	
	Reaction time at fault	550 ms	
Reaction time (constant voltage)	From neutral position to max. spool travel	110 ÷ 140 ms	
	From max. spool travel to neutral position	70 ÷ 90 ms	
Reaction time (neutral switch)	From neutral position to max. spool travel	130 ÷ 170 ms	
	From max. spool travel to neutral position	70 ÷ 90 ms	
Connector		Standard (IP 65) according to DIN 43650 / ISO 4400	
Enclosure to IEC 529		IP 65	
<b>(A)</b> joystick	Input signal control	Neutral position	0.5 x UDC
		Control range	0.25 x UDC ÷ 0.75 x UDC
	Max. current signal control	0.5 mA	1 mA
Input impedance in relation to 0.5 x UDC		12 kΩ	
<b>(B)</b> PLC	Input signal control	Voltage	0 ÷ 10 VDC
		Neutral position	5 VDC
		Control range	0.25 x 10 VDC ÷ 0.75 x 10 VDC
	Current signal control	0.5 mA	
Input impedance in relation to 0 ÷ 10 VDC		20 kΩ	
<b>(C)</b> PLC	Input signal control	Current	0 ÷ 20 mA
		Neutral position	10 mA
		Control range	0.25 x 20 mA ÷ 0.75 x 20 mA
	Input impedance in relation to 0 ÷ 20 mA		0.5 kΩ

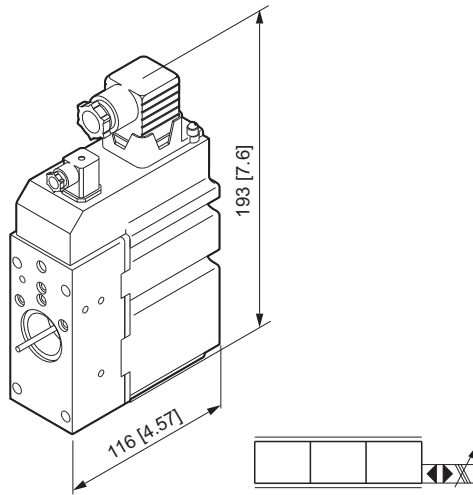
### MHPED (active version) modules behaviour in relation to the signal control

UDC	Signal control	Ground	Safety output (pin no. 3)	Effect
24 V	12 V (50% of UDC)	Connected	No output	Spool held electrical in neutral position
24 V	6 V (25% of UDC)	Connected	No output	Full flow P → A
24 V	18 V (75% of UDC)	Connected	No output	Full flow P → B
24 V	20.4 V (85% of UDC)	Connected	Output	Spool stays in neutral position (red light comes on)
24 V	21.6 V (90% of UDC)	Connected	Output	Spool stays in neutral position (red light comes on)
24 V	24 V (100% of UDC)	Connected	Output	Spool stays in neutral position (red light comes on)
24 V	0 V (0% of UDC) selected	Connected	Output	Spool stays in neutral position (red light comes on)
24 V	0 V (0% of UDC) interrupted	Connected	Output	Spool stays in neutral position (red light comes on)
24 V	1 V (4% of UDC)	Connected	Output	Spool stays in neutral position (red light comes on)
0 V	15.6 V (65% of UDC)	Connected	No output	Spool stays in neutral position (no light)
24 V	15.6 V (65% of UDC)	Disconnected	No output	Spool stays in neutral position (no light)

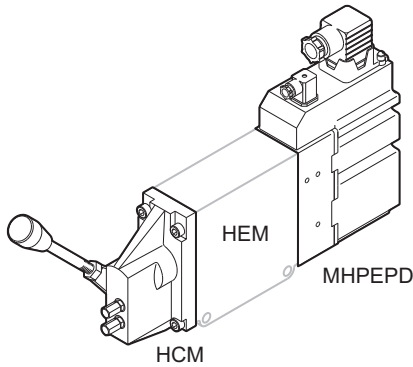
With the same data, given in percentages, the behaviour of the module is equal to the 12 VDC, 0 ÷ 20 mA and 0 ÷ 10 V also.

No. of flashes	Cause
1	LVDT outside of its own position
2	The demanded spool position doesn't correspond to the input signal
3	LVDT is broken
4	Short circuit in the output signal for direction indicator (MHPEPD)
5	Internal electrical faults
6	Short circuit in the proportional solenoid valves
7	Short circuit in the warning output signal (pin no. 3)
8	Input signal control exceeds min. / max. values (15% ÷ 85% of supply voltage)

When an error state is detected the lamp of the module starts flashing red, and the number of flashes indicates the probable cause of failure.



**MHPEPD**



Example with module MHPEPD and manual control HCM

**MHPEPD electrohydraulic PROPORTIONAL module**  
 MHPEPD closed loop electrohydraulic proportional activation unit is the most advanced version of the closed loop control modules.

MHPEPD is defined by:

- Spool direction indicator output;
- Capacity to handle three different kinds of input signal control. The required signal control is to be stated in the order phase;
- Inductive transducer position, LVDT (Linear Variable Differential Transformer);
- Integrated PWM (Pulse Width Modulator);
- Fault monitoring, transistor output for signal source;
- Excellent regulation;
- Low hysteresis;
- Short reaction time.

Besides the afore mentioned features, another purpose of the module is to give an indication of the spool's movement, through an on/off output signal in the smaller connector (also when the spool is manually activated).

The diagrams on page E-11 show an example of how the direction output can be handled to activate or deactivate the Ls on/off pilot solenoid valve by means of the two relay (K1 - K2) and two electrical end of strokes.

This is just an example, as the use of MHPEPD is also destined for more demanding surroundings, that is solutions using artificial intelligence which dialogue at the higher level via bus, and which realize a real distributed control system able to carry out "stand-alone" processes.

This in turn send to the raised level only that information read as "positive" for the safe handling of machine. All the electrohydraulics features, performance, and choice of safety degree system, are the same of those already described for the MHPED module.

**Active version**

Voltage	Input signal control		
	0.5 x U <sub>dc</sub> (A) joystick	0 ÷ 10 V <sub>dc</sub> (B) PLC	0 ÷ 20 mA (C) PLC
12 Vdc	MHPEPD4108048	MHPEPD4108058	MHPEPD4108066
24 Vdc	MHPEPD4108047	MHPEPD4108060	MHPEPD4108068

**Passive version**

Voltage	Input signal control		
	0.5 x U <sub>dc</sub> (A) joystick	0 ÷ 10 V <sub>dc</sub> (B) PLC	0 ÷ 20 mA (C) PLC
12 Vdc	MHPEPD4108046	MHPEPD4108054	MHPEPD4108062
24 Vdc	MHPEPD4108045	MHPEPD4108056	MHPEPD4108064

Aluminum body

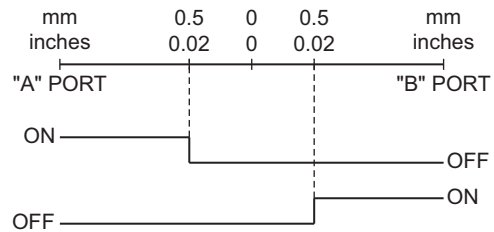
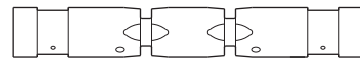
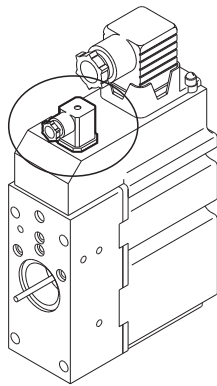
**HPV 41**

Electrical connections for MHPEPD working sections, see page: E-11

Rated voltage	12 Vdc	24 Vdc
Power supply voltage range	11 ÷ 15 V	20 ÷ 28 V
Max. ripple	5 %	
End stroke spool current consumption	520 mA	260 mA
Current consumption (neutral position, constant voltage)	36 mA	46 mA
Power consumption	6 W	
Heat insulation	Class H 180 °C [356 °F]	
Fault monitoring system	Max. current on safety output (pin no. 3)	50 mA
	Reaction time at fault	550 ms
Max. current output signal for indication actuating direction	50 mA	
Reaction time (constant voltage)	From neutral position to max. spool travel	110 ÷ 140 ms
	From max. spool travel to neutral position	70 ÷ 90 ms
Reaction time (neutral switch)	From neutral position to max. spool travel	130 ÷ 170 ms
	From max. spool travel to neutral position	70 ÷ 90 ms
Connectors	Standard (IP 65) according to DIN 43650 / ISO 4400	
	Spool direction indicator output (IP 65) according to DIN 40050	
Enclosure to IEC 529	IP 65	

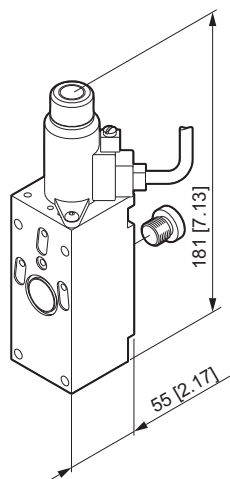
<b>(A)</b> joystick	Input signal control	Neutral position	0.5 x UDC	
		Control range	0.25 x UDC ÷ 0.75 x UDC	
	Max. current signal control		0.5 mA	1 mA
	Input impedance in relation to 0.5 x UDC		12 kΩ	
<b>(B)</b> PLC	Input signal control	Voltage	0 ÷ 10 VDC	
		Neutral position	5 VDC	
		Control range	0.25 x 10 VDC ÷ 0.75 x 10 VDC	
	Current signal control		0.5 mA	
	Input impedance in relation to 0 ÷ 10 VDC		20 kΩ	
<b>(C)</b> PLC	Input signal control	Current	0 ÷ 20 mA	
		Neutral position	10 mA	
		Control range	0.25 x 20 mA ÷ 0.75 x 20 mA	
		Input impedance in relation to 0 ÷ 20 mA		0.5 kΩ

### Spool direction signals

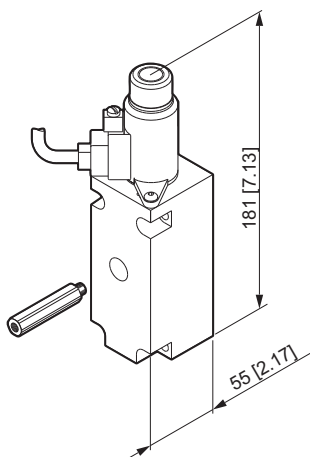
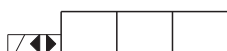


PIN	Center position	Movement to A port	Movement to B port
1	free	free	free
2	no output	Udc (+)	no output
3	no output	no output	Udc (+)
4	To get the manual control this pin must be feeded with the supply voltage. To get the remote control the supply voltage must be taken off from this pin.		





**MHOXA**



**MHOXB**



**MHOX electro-hydraulic ON/OFF operated**

The MHOXA and MHOXA modules are electro-hydraulics ON/OFF devices that allows the primary hydraulic state (HEM) to be monitored at a distance by means of an electric signal.

**Single acting for A or B ports:**

**MHOXA:** the distribution spool in the HEM element is moved onto port B by a manual HCM command and onto port A by the side MHOXA module.

**MHOXB:** the distribution spool in the HEM element is moved onto port A by a manual HCM command and onto port B by the side MHOXB module

**Double acting for A and B ports:**

The MHOXA and MHOXB modules can be coupled in order to activate both modules by means of the remote control. The operating principle is similar to that of the two separate modules, with the V1 and V2 solenoid valves that, alternatively, can adjust the pilot pressure on the distribution spool.

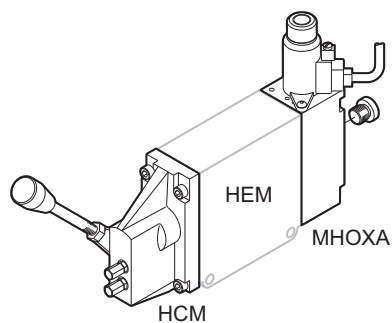
HCM/HCF cast iron modules must be used.

ATEX electro-hydraulic modules for HPV features and safety instructions see page A-3.

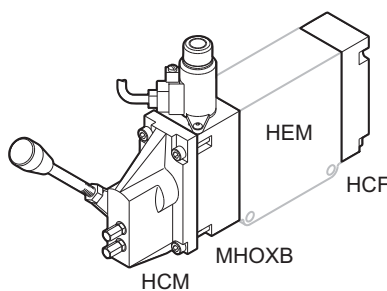
For the wiring diagram of module, please refer to Instruction manual.

Voltage	Code	
	Port A	Port B
12 Vdc	MHOXA04107157	MHOXB04107159
24 Vdc	MHOXA04107158	MHOXB04107160

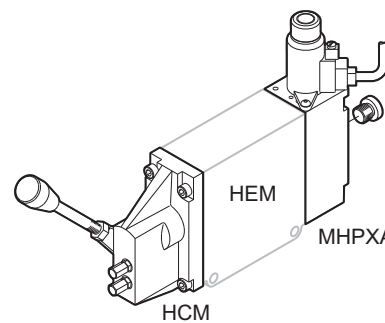
Cast iron body



Example with module MHOXA, single acting for A port



Example with module MHOXA, single acting for A port



Example with moduli MHOXA-MHOXB, double acting for A and B ports

HPV 41



Nominal voltage	12 Vdc	24 Vdc
Coil resistance, R20	9 Ω ± 6 %	35.8 Ω ± 6 %
Min. current	700 mA	350 mA
Rated current	1330 mA	670 mA
Max. current	1850 mA	930 mA
Limit power	14.3 W	14.4 W
Ambient temperature	-20 ÷ +50 °C [-4 ÷ +122 °F]	
Connection cable	FL4G11Y - 3 x 1.5 mm <sup>2</sup> [3 x 15 AWG] L = 5-5.1 mt [197-201 inch]	
Integrated diode to limit switch-off overvoltage	See coil manufacturer manual	
Short-circuit protection	With fuse - See coil manufacturer manual	
Duty cycle	100%	
Input pressure	Max. 50 bar [725 psi]	
Switching pressure	>23 bar [334 psi]	
Fluid temperature	-20 ÷ +80 °C [-4 ÷ +176 °F]	
Ground connection	Up to 4 mm <sup>2</sup> - 11 AWG	
Protection class (DIN VDE 0580)	I	
Fluids	Hydraulic oil to DIN 51524.ATF-oil	
Protection ratings (DIN VDE 0470 / EN 60529)	IP67 / IP69K	
Shock-resistance to EN 50014	4 J	

### Hydraulic features

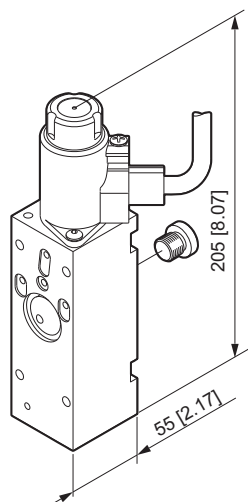
Max pilot pressure oil supply	30 bar [435 psi]
Start spool flow	4.5 bar [65 psi]
End spool flow	15 bar [218 psi]

### HEM module hydraulic data

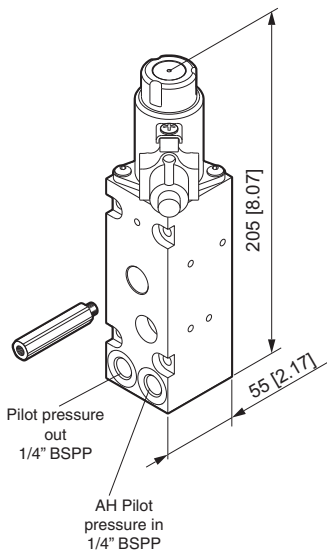
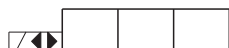
Max pressure (static - input)	350 bar [5076 psi]
Max flow	130 l/min [34.3 US gpm]

### ATEX modules marking

MHOX on complete proportional valve with or without HSEVX valve		II GD C T4 / T135°C T <sub>amb</sub> = -20°C ÷ +50°C T <sub>fluid</sub> = -20°C ÷ +80°C p max HEM = 350 bar
MHOX individually supplied		II GD C T4 / T135°C T <sub>amb</sub> = -20°C ÷ +50°C T <sub>fluid</sub> = -20°C ÷ +80°C
Solenoids mounted on MHOX modules		II GEx mb II T4 II D Ex mbD 21 T130°C T <sub>amb</sub> = -20°C ÷ +50°C T <sub>fluid</sub> = -20°C ÷ +80°C



**MHOXAH**



**MHOXBH**



ATEX electro-hydraulic modules for HPV features and safety instructions see page A-3.

For the wiring diagram of module, please refer to Instruction manual.

**MHOXAH electro-hydraulic ON/OFF operated and hydraulic activation**

The MHOXAH and MHOXBH modules are electro-hydraulics ON/OFF devices that allows the primary hydraulic state (HEM) to be monitored at a distance by means of both an electric signal and hydraulic control.

Especially designed for those applications where the HPV (distributor) proportional valves must be controlled with a double remote control (electric and hydraulic). The module maintains the same electrical characteristics already described for the MHOXA / MHOXB modules. The value of the pilot pressure of the hydraulic control (coming from hydraulic manipulators) must be included between 3.5 bar and 28 bar [51 and 406 psi].

The distribution spool is positioned precisely by the hydraulic pressure generated by the hydraulic manipulator or, alternatively, by the solenoid valve V1 proportionally with an electric signal generated by the remote control. The solenoid valve and the hydraulic manipulator are fed by an internal line P at a pressure ranging between 20 and 35 bar [290 and 507 psi], while the discharges are gathered in line T.

**Single acting for A or B ports:**

**MHOXAH:** the distribution spool in the HEM element is moved onto the B port by means of a manual control HCM and onto port A by the side MHOXAH module.

**MHOXBH:** the distribution spool in the HEM element is moved onto the B port by means of a manual control HCM and onto port B by the side MHOXBH module.

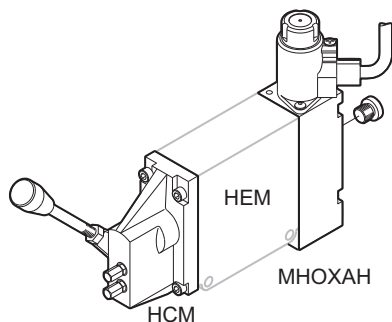
**Double acting for A and B ports:**

The MHOXAH and MHOXBH modules can be coupled in order to activate both modules by means of the remote control. The operating principle is similar to that of the two separate modules, with the V1 and V2 solenoid valves that, alternatively, can adjust the pilot pressure on the distribution spool.

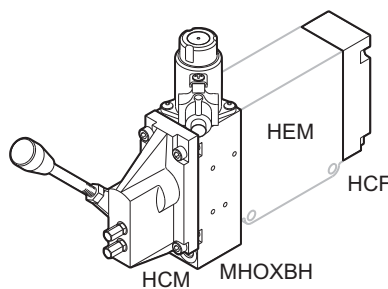
HCM/HCF cast iron modules must be used.

Voltage	Code	
	Port A	Port B
12 Vdc	<b>MHOXAH4107357</b>	<b>MHOXBH4107359</b>
24 Vdc	<b>MHOXAH4107358</b>	<b>MHOXBH4107360</b>

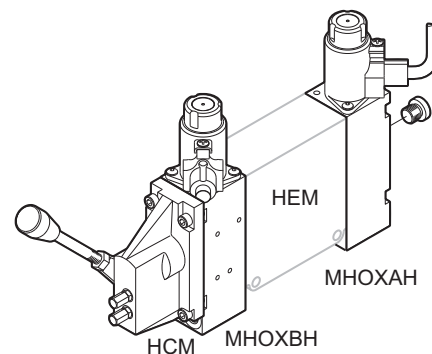
Cast iron body  
Hydraulic command outputs 1/4" BSPP.



Example with module MHOXAH, single acting for A port



Example with module MHOXBH, single acting for A port



Example with moduli MHOXAH-MHOXBH, double acting for A and B ports



Nominal voltage	12 Vdc	24 Vdc
Coil resistance, R20	9 Ω ± 6 %	35.8 Ω ± 6 %
Min. current	700 mA	350 mA
Rated current	1330 mA	670 mA
Max. current	1850 mA	930 mA
Limit power	14.3 W	14.4 W
Ambient temperature	-20 ÷ +50 °C [-4 ÷ +122 °F]	
Connection cable	FL4G11Y - 3 x 1.5 mm <sup>2</sup> [3 x 15 AWG] L = 5-5.1 mt [197-201 inch]	
Integrated diode to limit switch-off overvoltage	See coil manufacturer manual	
Short-circuit protection	With fuse - See coil manufacturer manual	
Duty cycle	100%	
Input pressure	Max. 50 bar [725 psi]	
Switching pressure	>23 bar [334 psi]	
Fluid temperature	-20 ÷ +80 °C [-68 ÷ +176 °F]	
Ground connection	Up to 4 mm <sup>2</sup> - 11 AWG	
Protection class (DIN VDE 0580)	I	
Fluids	Hydraulic oil to DIN 51524. ATF-oil	
Protection ratings (DIN VDE 0470 / EN 60529)	IP67 / IP69K	
Shock-resistance to EN 50014	4 J	







### Hydraulic features

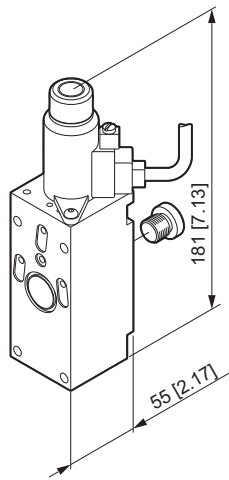
Max pilot pressure oil supply	30 bar [435 psi]
Start spool flow	4.5 bar [65 psi]
End spool flow	15 bar [218 psi]

### HEM module hydraulic data

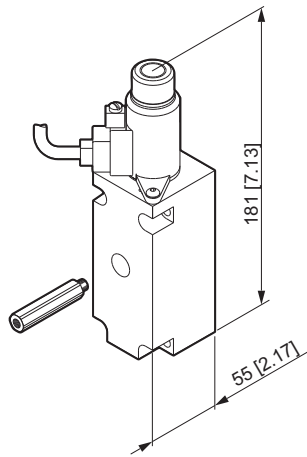
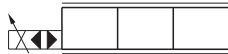
Max pressure (static - input)	350 bar [5076 psi]
Max flow	130 l/min [34.3 US gpm]

### ATEX modules marking

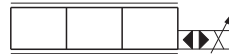
MHOX on complete proportional valve with or without HSEVX valve	 	II GD C T4 / T135°C T <sub>amb</sub> = -20°C ÷ +50°C T <sub>fluid</sub> = -20°C ÷ +80°C p max HEM = 350 bar
MHOX individually supplied	 	II GD C T4 / T135°C T <sub>amb</sub> = -20°C ÷ +50°C T <sub>fluid</sub> = -20°C ÷ +80°C
Solenoids mounted on MHOX modules	 	II GEx mb II T4 II D Ex mbD 21 T130°C T <sub>amb</sub> = -20°C ÷ +50°C T <sub>fluid</sub> = -20°C ÷ +80°C



**MHPXA**



**MHPXB**



**MHPX electro-hydraulic PROPORTIONAL operated**

The MHPXA module is an electro-hydraulic proportional device that allows the primary hydraulic state (HEM) to be monitored at a distance by means of an electric signal.

**Single acting for A or B ports:**

**MHPXA:** the distribution spool in the HEM element is moved onto port B by a manual HCM command and onto port A by the side MHPXA module.

**MHPXB:** the distribution spool in the HEM element is moved onto port A by a manual HCM command and onto port B by the side MHPXB module .

**Double acting for A and B ports:**

I moduli MHPXA e MHPXB possono essere accoppiati affinché tramite il comando remoto sia possibile azionare entrambi i moduli. Il principio di funzionamento è analogo a quello dei due moduli separati, con le elettrovalvole V1 e V2 che, alternativamente, possono regolare in modo continuo la pressione pilota agente sull'asta di distribuzione.

HCM/HCF cast iron modules must be used.

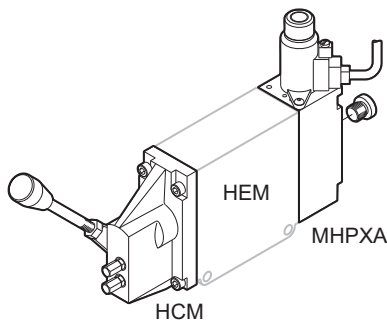
**ATEX electro-hydraulic modules for HPV features and safety instructions see page A-3.**

**For the wiring diagram of module, please refer to Instruction manual.**

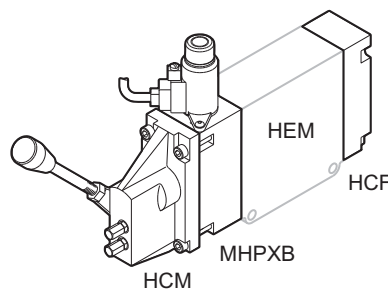
Voltage	Code	
	Port A	Port B
12 Vdc	MHPXA04107147	MHPXB04107149
24 Vdc	MHPXA04107148	MHPXB04107150

Cast iron body

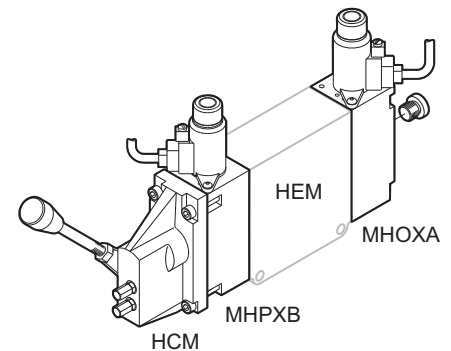
**HPV 41**



Example with module MHPXA, single acting for A port



Example with module MHPXB, single acting for A port



Example with moduli MHPXA-MHPXB, double acting for A and B ports



Nominal voltage	12 Vdc	24 Vdc
Voltage range	11 ÷ 15 Vdc	22 ÷ 28 Vdc
Coil resistance, R20	4.3 Ω	15.3 Ω
Rated current, I <sub>N</sub>	1360 mA	686 mA
Max. current regulation range	0 ÷ 1500 mA	0 ÷ 750 mA
Max. power	14.8 W	12.8 W
Start spool travel	490 mA	240 mA
Start spool flow	510 mA	260 mA
End spool travel	875 mA	500 mA
Pilot pressure	28 bar [406 psi]	
Power supply	PWM 100 Hz	
Max. pressure (static)	50 bar [725 psi]	
Ambient temperature	-20 ÷ +50 °C [-4 ÷ +122 °F]	
Fluid temperature	-20 ÷ +80 °C [-4 ÷ +176 °F]	
Connection cable	FL4G11Y - 3 x 1.5 mm <sup>2</sup> [3 x 15 AWG] L = 5-5.1 mt [197-201 inch]	
Integrated diode to limit switch-off overvoltage	See coil manufacturer manual	
Short-circuit protection	With fuse - See coil manufacturer manual	
Ground connection	Up to 4 mm <sup>2</sup> - 11 AWG	
Fluids	Hydraulic oil to DIN 51524.ATF-oil	
Grade of enclosure (DIN VDE 0470 / EN 60529)	IP67 / IP69K	
Shock-resistance to EN 50014	4 J	

### Hydraulic features

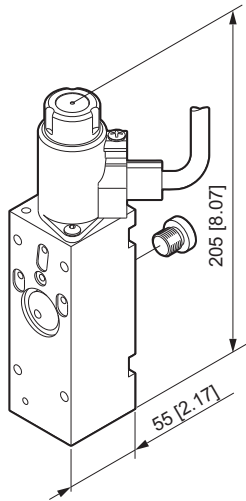
Max pilot pressure oil supply	30 bar [435 psi]
Start spool flow	4.5 bar [65 psi]
End spool flow	15 bar [218 psi]

### HEM module hydraulic data

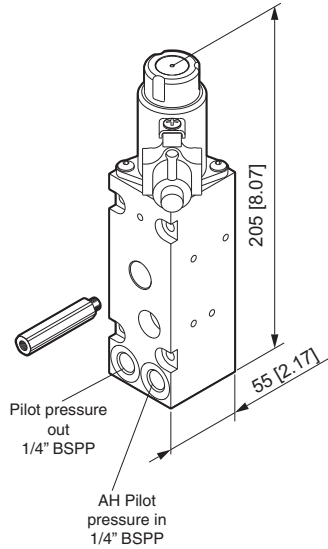
Max pressure (static - input)	350 bar [5076 psi]
Max flow	130 l/min [34.3 US gpm]

### ATEX modules marking

MHPX on complete proportional valve with or without HSEVX valve		II GD C T4 / T135°C T <sub>amb</sub> = -20°C ÷ +50°C T <sub>fluid</sub> = -20°C ÷ +80°C p max HEM = 350 bar
MHPX individually supplied		II GD C T4 / T135°C T <sub>amb</sub> = -20°C ÷ +50°C T <sub>fluid</sub> = -20°C ÷ +80°C
Solenoids mounted on MHPX modules		II GEx mb II T4 II D Ex mbD 21 T130°C T <sub>amb</sub> = -20°C ÷ +50°C T <sub>fluid</sub> = -20°C ÷ +80°C



**MHPXAH**



**MHPXBH**



**ATEX electro-hydraulic modules for HPV features and safety instructions see page A-3.**

**For the wiring diagram of module, please refer to Instruction manual.**

**MHPXAH electro-hydraulic PROPORTIONAL operated and hydraulic activation**

The MHPXAH module is an electro-hydraulic proportional device that allows the primary hydraulic state (HEM) to be monitored at a distance by means of both an electric signal and hydraulic control.

Especially designed for those applications where the HPV (distributor) proportional valves must be controlled with a double remote control (electric and hydraulic). The module maintains the same electrical characteristics already described for the MHPXA / MHPXB modules. The value of the pilot pressure of the hydraulic control (coming from hydraulic manipulators) must be included between 3.5 bar and 28 bar [51 and 406 psi].

The distribution spool is positioned precisely by the hydraulic pressure generated by the hydraulic manipulator or, alternatively, by the solenoid valve V1 proportionally with an electric signal generated by the remote control. The solenoid valve and the hydraulic manipulator are fed by an internal line P at a pressure ranging between 20 and 35 bar [290 and 507 psi], while the discharges are gathered in line T.

**Single acting for A or B ports:**

**MHPXAH:** the distribution spool in the HEM element is moved onto the B port by means of a manual control and onto port A by the side MHPXAH module.

**MHPXBH:** the distribution spool in the HEM element is moved onto the A port by means of a manual control and onto port B by the side MHPXBH module.

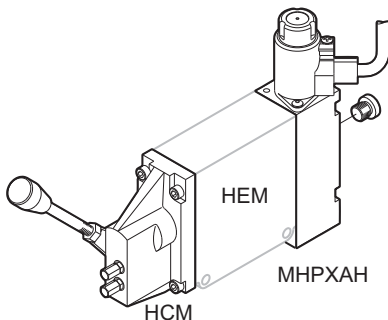
**Double acting for A and B ports:**

The MHPXAH and MHPXBH modules can be coupled in order to activate both modules by means of the remote control. The operating principle is similar to that of the two separate modules, with the V1 and V2 solenoid valves that, alternatively, can adjust the pilot pressure on the distribution spool.

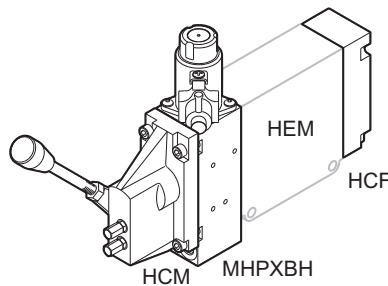
HCM/HCF cast iron modules must be used.

Voltage	Code	
	Port A	Port B
12 Vdc	<b>MHPXAH4107347</b>	<b>MHPXBH4107349</b>
24 Vdc	<b>MHPXAH4107348</b>	<b>MHPXBH4107350</b>

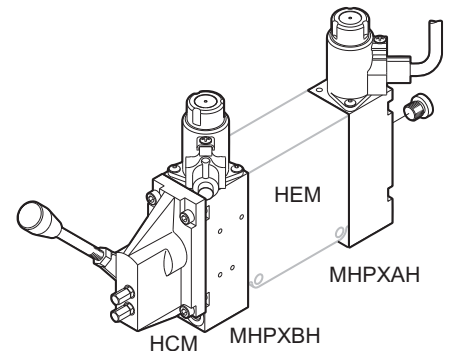
Cast iron body  
Hydraulic command outputs 1/4" BSPP.



Example with module MHPXAH, single acting for A port



Example with module MHPXBH, single acting for A port



Example with moduli MHPXAH-MHPXBH, double acting for A and B ports



Nominal voltage	12 Vdc	24 Vdc
Voltage range	11 ÷ 15 Vdc	22 ÷ 28 Vdc
Coil resistance, R20	4.3 Ω	15.3 Ω
Rated current, I <sub>N</sub>	1360 mA	686 mA
Max. current regulation range	0 ÷ 1500 mA	0 ÷ 750 mA
Max. power	14.8 W	12.8 W
Start spool travel	490 mA	240 mA
Start spool flow	510 mA	260 mA
End spool travel	875 mA	500 mA
Pilot pressure	28 bar [406 psi]	
Power supply	PWM 100 Hz	
Max. pressure (static)	50 bar [725 psi]	
Ambient temperature	-20 ÷ +50 °C [-4 ÷ +122 °F]	
Fluid temperature	-20 ÷ +80 °C [-4 ÷ +176 °F]	
Connection cable	FL4G11Y - 3 x 1.5 mm <sup>2</sup> [3 x 15 AWG] L = 5-5.1 mt [197-201 inch]	
Integrated diode to limit switch-off overvoltage	See coil manufacturer manual	
Short-circuit protection	With fuse - See coil manufacturer manual	
Ground connection	Up to 4 mm <sup>2</sup> - 11 AWG	
Fluids	Hydraulic oil to DIN 51524.ATF-oil	
Grade of enclosure (DIN VDE 0470 / EN 60529)	IP67 / IP69K	
Shock-resistance to EN 50014	4 J	

### Hydraulic features

Max pilot pressure oil supply	30 bar [435 psi]
Start spool flow	4.5 bar [65 psi]
End spool flow	15 bar [218 psi]

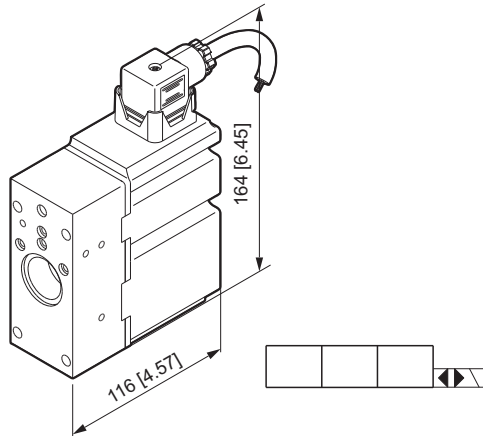
### HEM module hydraulic data

Max pressure (static - input)	350 bar [5076 psi]
Max flow	130 l/min [34.3 US gpm]

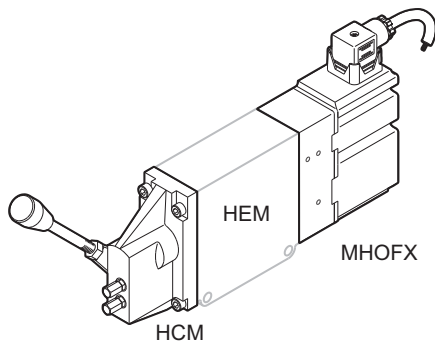
### ATEX modules marking

MHPX on complete proportional valve with or without HSEVX valve		II GD C T4 / T135°C T <sub>amb</sub> = -20°C ÷ +50°C T <sub>fluid</sub> = -20°C ÷ +80°C p max HEM = 350 bar
MHOX individually supplied		II GD C T4 / T135°C T <sub>amb</sub> = -20°C ÷ +50°C T <sub>fluid</sub> = -20°C ÷ +80°C
Solenoids mounted on MHPX modules		II GEx mb II T4 II D Ex mbD 21 T130°C T <sub>amb</sub> = -20°C ÷ +50°C T <sub>fluid</sub> = -20°C ÷ +80°C





## MHOFX



Example with module MHOFX and manual control HCM

### MHOF electrohydraulic ON-OFF module

The MHOF electrohydraulic module moves the spool in relation to an electric signal generated by the joystick or by a switch.

The hydraulic pressure generated by the on-off solenoid valves forces the spool not to stop in any intermediate position between the neutral position and the maximum stroke

#### Standard connector

Voltage	Code
12 Vdc	MHOFX041E7025
24 Vdc	MHOFX041E7030

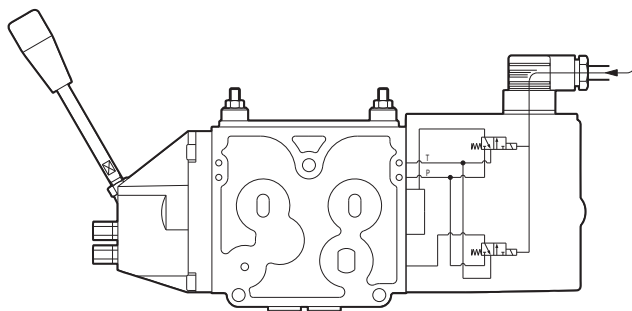
#### D-Type connector

Voltage	Code
12 Vdc	MHOFX041E7027
24 Vdc	MHOFX041E7028

Cast iron body

HPV 41

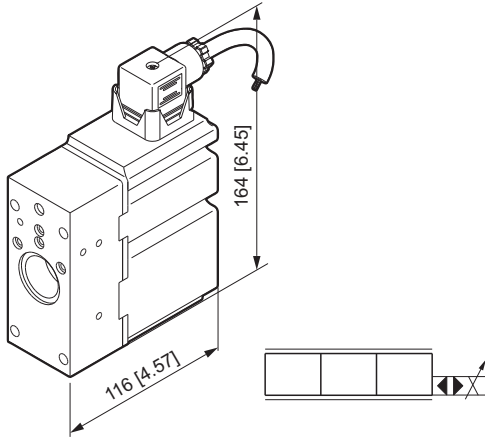
Rated voltage	12 Vdc	24 Vdc
Power supply voltage range	10.8 ÷ 13.2 V	21.6 ÷ 26.4 V
Resistance at 20 °C [68 °F]	9.2 Ω	34.8 Ω
Rated absorbed power	16 W	
Heat insulation	Class H, 180 °C [356 °F]	
Duty cycle	ED 100%	
Reaction time	From neutral position to max. spool travel	130 ms
	From max. spool travel to neutral position	110 ms
Ambient temperature	-35° ÷ 60 °C [-31 ÷ +140 °F]	
Connector	DIN 43650 / ISO 4400	
Connection cable	FL4G11Y - 3 x 1.5 mm <sup>2</sup> [3 x 15 AWG ] L = 5-5.1 mt [197-201 inch]	
Enclosure to IEC 529	IP 67	



ATEX marking	CE Ex	II 2G Ex mb IIC T4 GB II 2D Ex mb IIIC T135 °C Db
IECEx marking	CE Ex	Ex mb IIC T4 GB Ex mb IIIC T135 °C Db

ATEX electro-hydraulic modules for HPV features and safety instructions see page A-3.

For the wiring diagram of module, please refer to Instruction manual.



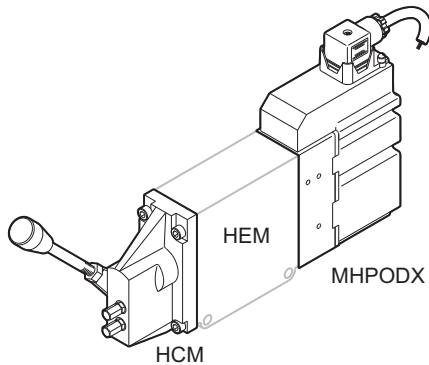
**MHPCX**

**MHPCX electrohydraulic PROPORTIONAL module**

MHPCX proportional electrohydraulic module shifts the position of the spool precisely in proportion to an electric current signal generated by the remote control.

The spool is shifted by means of the hydraulic pressure generated by the pressure-reduction proportional solenoid valves. The MHPCX module is not equipped with an inductive position transducer (LVDT) and the entire electronic circuit to detect and signal faults.

This means that in the joystick remote control phase, any control (for example a manual control) that overrides the force exerted by the pressure reduction valves on the spool, may vary the position of that spool without any error signal and without inhibition, leaving the safety of the entire hydraulic system to the visual operator control only.

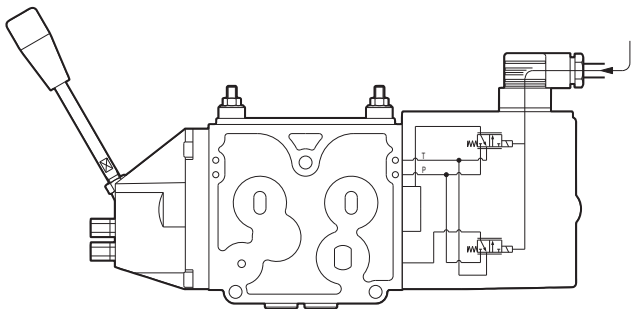


Example with module MHPCX and manual control HCM

Voltage	Code
12 Vdc	<b>MHPCX041E7014</b>
24 Vdc	<b>MHPCX041E7013</b>

Cast iron body

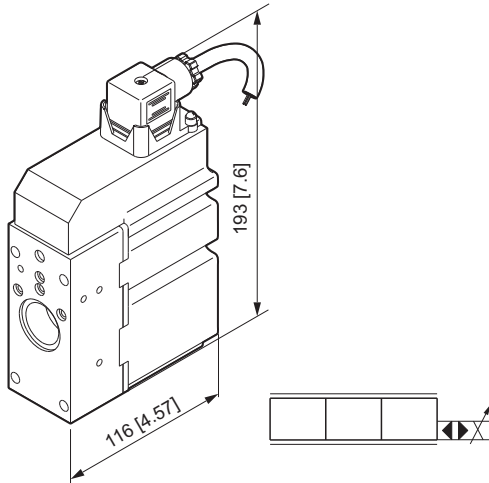
Rated voltage	12 Vdc	24 Vdc
Power supply voltage range	10.8 ÷ 13.2 V	21.6 ÷ 26.4 V
Resistance at 20 °C [68 °F]	9.2 Ω	34.8 Ω
Rated absorbed power	16 W	
Heat insulation	Class H, 180 °C [356 °F]	
Duty cycle	ED 100%	
Reaction time	From neutral position to max. spool travel	130 ms
	From max. spool travel to neutral position	110 ms
Ambient temperature	-35 ÷ +60 °C [-31 ÷ +140 °F]	
Connector	DIN 43650 / ISO 4400	
Connection cable	FL4G11Y - 3 x 1.5 mm <sup>2</sup> [3 x 15 AWG ] L = 5-5.1 mt [197-201 inch]	
Enclosure to IEC 529	IP 67	



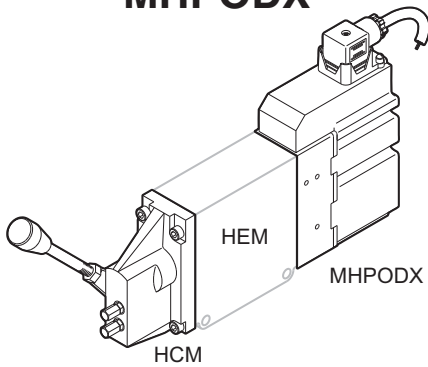
ATEX marking		II 2G Ex mb IIC T4 GB II 2D Ex mb IIIC T135 °C Db
IECEx marking		Ex mb IIC T4 GB Ex mb IIIC T135 °C Db

**ATEX electro-hydraulic modules for HPV features and safety instructions see page A-3.**

**For the wiring diagram of module, please refer to Instruction manual.**



## MHPODX



Example with module MHPODX and manual control HCM

### MHPODX electrohydraulic PROPORTIONAL module

MHPODX is an open loop electrohydraulic activation unit, whose design is based on digital technology.

MHPODX has been specially developed to meet the harsh operating requirements of today's mobile machine market. MHPODX electrical open loop proportional actuation operates the main spool's shift according to an electrical signal coming from a remote control unit, and is recommended where a simple proportional control is required, and where hysteresis and reaction time are not critical.

MHPODX does not have the inductive position transceiver (LVDT) and any electronic circuit for faults monitoring. This means that any forces that override the pilot pressure spool forces may change the spool position with no error signal, and the safety of the whole system is left to the operator's visual control, only.

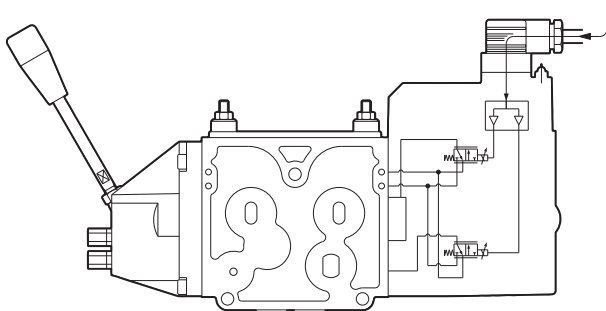
MHPODX is defined by:

- Capacity to handle three different kinds of input signal control (see chart below).
- The required signal control is to be stated in the order phase
- Integrated PWM (Pulse Width Modulator)
- Good flow regulation
- Simple built-up.

Voltage	Input signal control		
	0.5 x U <sub>DC</sub> (A) joystick	0 ÷ 10 V <sub>DC</sub> (B) PLC	0 ÷ 20 mA (C) PLC
12 Vdc	MHPODX41E8077	MHPODX41E8082	MHPODX41E8086
24 Vdc	MHPODX41E8075	MHPODX41E8084	MHPODX41E8088

Cast iron body

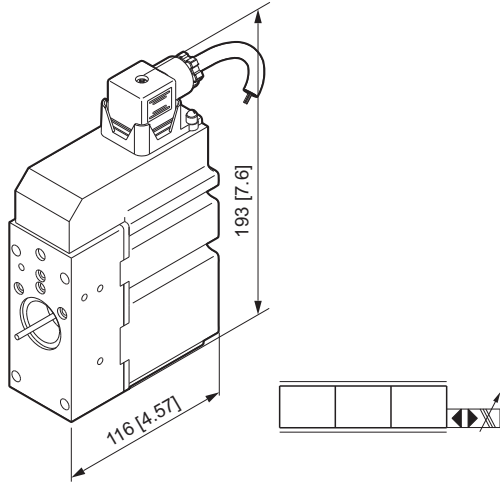
Rated voltage	12 V ± 10%	24 V ± 10%
Max. power consumption	6 W	
Analog control input (Us) to choose from:	Ratiometric 0.25xUDC ÷ 0.75xUDC	
	0 ÷ 10 V (available signal 2.5 ÷ 7.5 V)	
	0 ÷ 20 mA (available signal 5 ÷ 15 mA)	
	3.5 V (available signal 2 ÷ 5 V)	
Analog input impedance, ratiometric version, 0.25xUDC ÷ 0.75xUDC	12 kΩ	
Analog input impedance 0 ÷ 10 V version	10 kΩ	
Analog input impedance 0 ÷ 20 mA	500 Ω	
Spool positioning sensor	LVDT	
PWM outputs with current feedback	2	
PWM frequency	80 ÷ 250 Hz	
Max. current consumption	600 mA	330 mA
Error / Fault Message output (pin 3)	Max. Load 50 mA	
Working parameters setting	By software and serial interface	
Main electrical connection	3 pins Connector +PE	
Connection cable	FL4G11Y - 3 x 1.5 mm <sup>2</sup> [3 x 15 AWG] L = 5-5.1 mt [197-201 inch]	
Enclosure	IP67	
Ambient working temperature	-35 ÷ +60 °C [-31 ÷ +140 °F]	
EMC requirements	EN61000-6-2, EN61000-6-4	



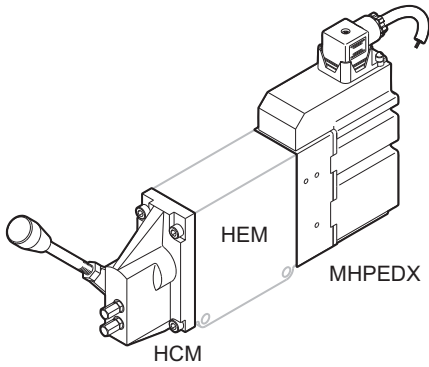
ATEX marking		II 2G Ex mb IIC T4 GB II 2D Ex mb IIIC T135 °C Db
IECEx marking		Ex mb IIC T4 GB Ex mb IIIC T135 °C Db

ATEX electro-hydraulic modules for HPV features and safety instructions see page A-3.

For the wiring diagram of module, please refer to Instruction manual.



## MHPEDX



Example with module MHPEDX and manual control HCM

### MHPEDX electrohydraulic PROPORTIONAL module

MHPEDX is a closed loop electrohydraulic activation unit, whose design is based on digital technology. MHPEDX has been specially developed to meet the harsh operating requirements of today's mobile machine market.

MHPEDX electrical closed loop proportional actuation operates safely and precisely the main spool's shift according to an electrical signal coming from a remote control unit, and is recommended where precise metering control, low hysteresis, fault monitoring, and fast system reaction are paramount. The input signal, by means of the PCB and the two reducing proportional solenoid valves, is converted into a low pilot pressure which in turn moves the HPV's spool.

The inductive transducer position (LVDT) ensures that the spool is being moved in the correct position, otherwise, in the event of uncontrolled spool positioning, the feed-back signal will detect it as an error and it will fast react operator independent (fault monitoring system, see diagrams in the following pages)

MHPEDX is defined by:

- Capacity to handle three different kinds of input signal control (see chart below). The required signal control is to be stated in the order phase.
- Inductive transducer position, LVDT (Linear Variable Differential Transformer)
- Integrated PWM (Pulse Width Modulator)
- Fault monitoring, transistor output for signal source
- Excellent regulation
- Low hysteresis
- Short reaction time

#### Active version

Voltage	Input signal control		
	0.5 x U <sub>dc</sub> (A) joystick	0 ÷ 10 V <sub>dc</sub> (B) PLC	0 ÷ 20 mA (C) PLC
12 Vdc	MHPEDX41E8011	MHPEDX41E8018	MHPEDX41E8026
24 Vdc	MHPEDX41E8010	MHPEDX41E8020	MHPEDX41E8028

#### Passive version

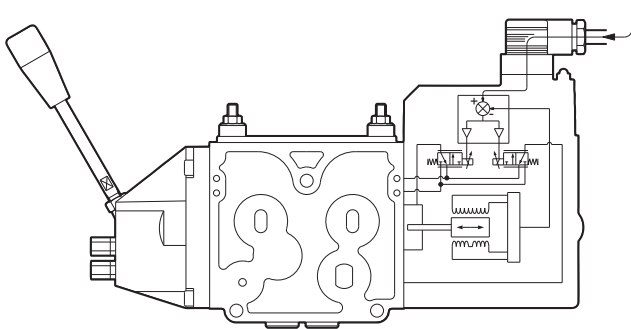
Voltage	Input signal control		
	0.5 x U <sub>dc</sub> (A) joystick	0 ÷ 10 V <sub>dc</sub> (B) PLC	0 ÷ 20 mA (C) PLC
12 Vdc	MHPEDX41E8009	MHPEDX41E8022	MHPEDX41E8030
24 Vdc	MHPEDX41E8007	MHPEDX41E8024	MHPEDX41E8032

Cast iron body



Rated voltage	12 V ± 10%	24 V ± 10%
Max. power consumption	6 W	
Analog control input (Us) to choose from:	Ratiometric 0.25xUDC ÷ 0.75xUDC	
	0 ÷ 10 V (available signal 2.5 ÷ 7.5 V)	
	0 ÷ 20 mA (available signal 5 ÷ 15 mA)	
	3.5 V (available signal 2 ÷ 5 V)	
Analog input impedance, ratiometric version, 0.25xUDC ÷ 0.75xUDC	12 kΩ	
Analog input impedance 0 ÷ 10 V version	10 kΩ	
Analog input impedance 0 ÷ 20 mA	500 Ω	
Spool positioning sensor	LVDT	
PWM outputs with current feedback	2	
PWM frequency	80 ÷ 250 Hz	
Max. current consumption	600 mA	330 mA
Error / Fault Message output (pin 3)	Max. Load 50 mA	
Working parameters setting	By software and serial interface	
Main electrical connection	3 pins Connector +PE	
Connection cable	FL4G11Y - 3 x 1.5 mm <sup>2</sup> [3 x 15 AWG ] L = 5-5.1 mt [197-201 inch]	
Enclosure	IP67	
Ambient working temperature	-35 ÷ +60 °C [-31 ÷ +140 °F]	
EMC requirements	EN61000-6-2, EN61000-6-4	

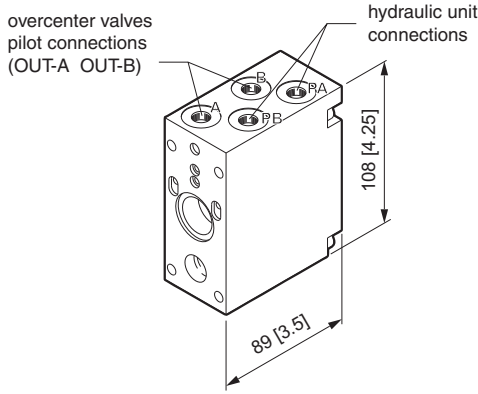
HPV 41



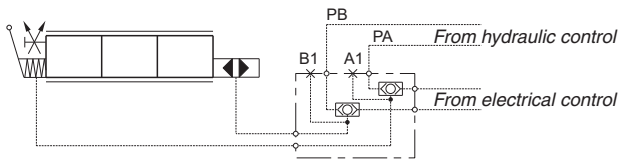
ATEX marking	CE Ex	II 2G Ex mb IIC T4 GB II 2D Ex mb IIIC T135 °C Db
IECEx marking	CE Ex	Ex mb IIC T4 GB Ex mb IIIC T135 °C Db

**ATEX electro-hydraulic modules for HPV features and safety instructions see page A-3.**

**For the wiring diagram of module, please refer to Instruction manual.**



## HCH

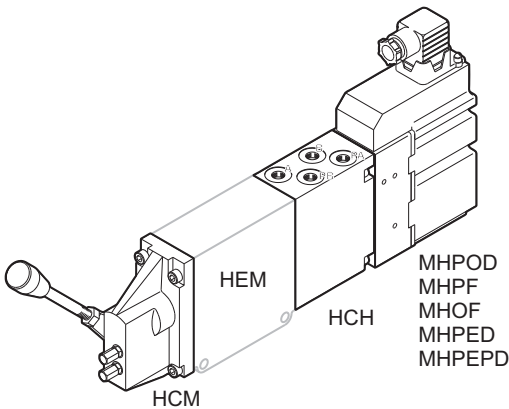


**HCH module to get hydraulic and electrical remote control**  
 HCH module is a small manifold that can be matched with all the HPV 41 proportional directional valves' elements, and with all the HPV electrohydraulic controls. The use of the HCH module, besides and in conjunction with electrohydraulic proportional, radio and on-off controls, also allows the hydraulic proportional control to be reached.

This new device features two supplementary work ports which can be used to pilot the overcenter valves through the same low pressure HPV spool. With this solution the control of the overcenter valves turns out to be much more precise, since the pilot pressure acting on them is never influenced by variations in pressure owing to moving loads.

Max. pilot pressure 36 bar [522 psi].

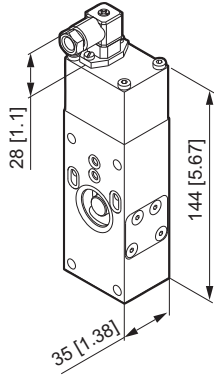
It is essential to use overcenter valves with high pilot ratio (15:1 ÷ 20:1)



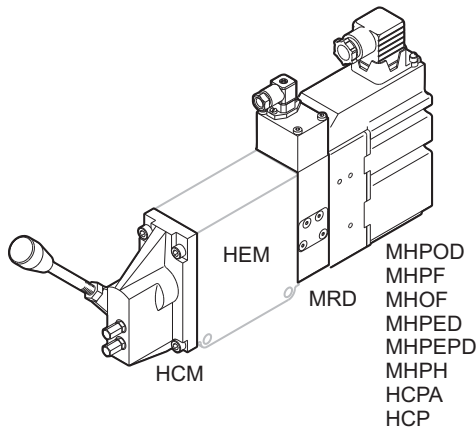
Example with module HCH, manual control HCM and MHPOD module

Type	Code (Aluminum)	
	Connections 1/4 BSPP	Connections 7/16" - 20 UNF - 2B
For MHPOD, MHPF, MHOF modules (open ring version)	<b>HCH0004104225</b>	<b>HCH0004104226</b>
For MHPED, MHPEPD modules (closed ring version)	<b>HCH0004104227</b>	<b>HCH0004104228</b>





**MRD**



Example with module MRD, manual control HCM and MHPOD module

**MRD electrical spool movement device**

The main purpose of this module is to give an indication of the spool's movement, by mean of an on-off signal. Suitable for all those applications where, to satisfy the safety demands, the spool travel has to be remotely monitored or integrated wiht the whole machine electrical system.

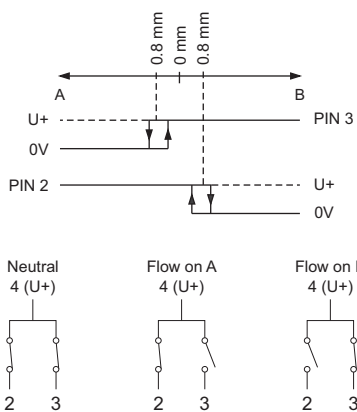
Spool direction indicator output Hirshmann connector according to DIN 40050.

Voltave	12 VDC – 24 VDC (min. 10 VDC - max. 30 VDC)
Maximum current	Resistive load 5A Inductive load: 3A
Switch position	± 0.8 mm (+0.2 / 0.3 mm)
Protection degree	IP40

**Not suitable for ATEX modules.**

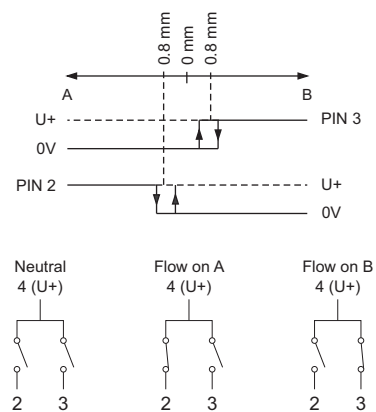
Type	Code
Normally closed	<b>MRD0004104243</b>
Normally open	<b>MRD0004104245</b>

**Normally closed**



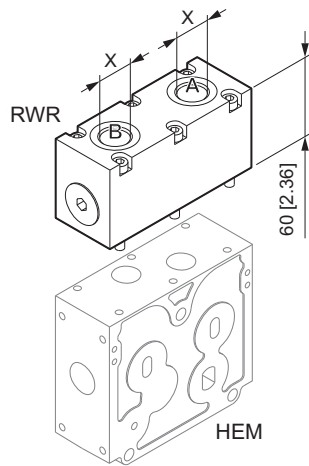
PIN No.	Neutral position	B port	A port
2	U+	0V	U+
3	U+	U+	0V
4	Common		

**Normally open**



PIN No.	Neutral position	B port	A port
2	0V	0V	U+
3	0V	U+	0V
4	Common		





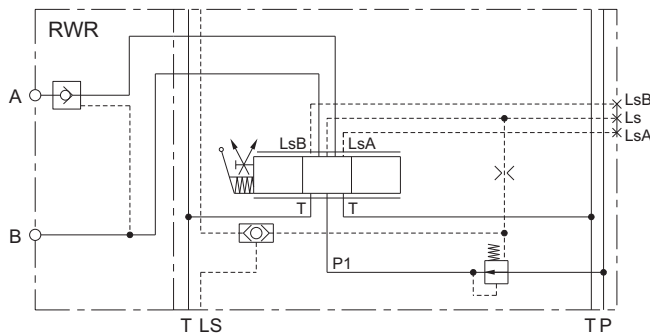
### RWR double pilot operated check valve module

Developed for applications where integrated pilot operated check valves in the work ports are required to limit the port leakage down to zero. Suitable for load locking applications.

Cast iron body.

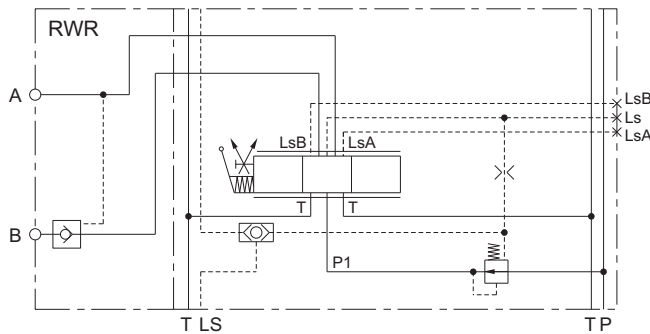
Suitable on prearranged elements only, HEM0004102400 - HEM0004102401.

**HPV 41**



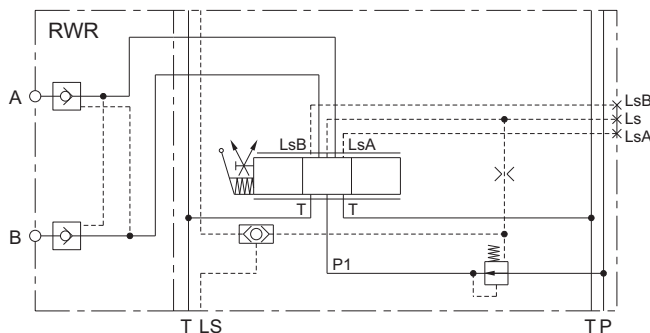
### Check valve on A port

Code	
(X) Ports 1/2 BSPP	(X) Ports 7/8" - 14 UNF - 2B
RWR0004102506	RWR0004102507



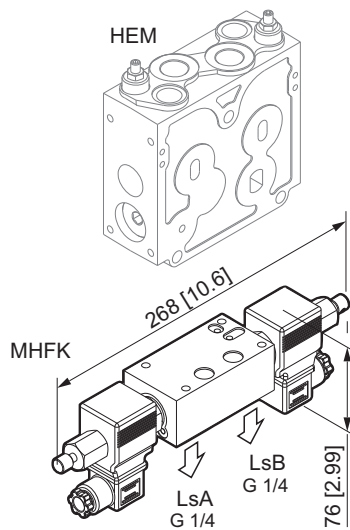
### Check valve on B port

Code	
(X) Ports 1/2 BSPP	(X) Ports 7/8" - 14 UNF - 2B
RWR0004102508	RWR0004102509



### Check valve on A and B ports

Code	
(X) Ports 1/2 BSPP	(X) Ports 7/8" UNF - 2B
RWR0004102510	RWR0004102511



### MHFK electrical Ls A/B unloading module

Developed for those applications where the max. working pressure can be selected according to an on-off electric signal. Normally open valves. Aluminum body.

#### Technical features

Max. operating pressure	370 bar [5366 psi]
Max. flow	30 l/min [7.9 US gpm]
Max. Leakage (0-5 drops/min)	0-0,25 cm <sup>3</sup> /min
Max. excitation frequency	2 Hz
Duty cycle	100% ED
Hydraulic fluids	Mineral Oil DIN 51524
Oil viscosity	10 ÷ 500 mm <sup>2</sup> /s (cSt)
Oil temperature	-25 ÷ +75 °C [-13 ÷ +167 °F]
Ambient temperature	-25 ÷ +60 °C [-13 ÷ +140 °F]
Max. contamination level class with filter	ISO 4406:1999 class 21/19/16
Cartridge filter	280µm
Degree of enclosure (depending on connector)	IP 65
Weight (with coil)	0.350 kg [0.77 lb]
Cartridge tightening torque	25 ÷ 30 Nm [18.4 ÷ 22 lbf-ft]
Coil ring nut tightening torque	7 Nm [5.2 lbf-ft]

**With the electrical LsA/B unloading modules, the EU flow restrictors must always be mounted onto the spools (HEAS) see page B-86.**

Active on LsA	Voltage	Code
	14 VDC	MHFK004106430
	28 VDC	MHFK004106438

Thread BSPP G 1/4

Active on LsB	Voltage	Code
	14 VDC	MHFK004106432
	28 VDC	MHFK004106440

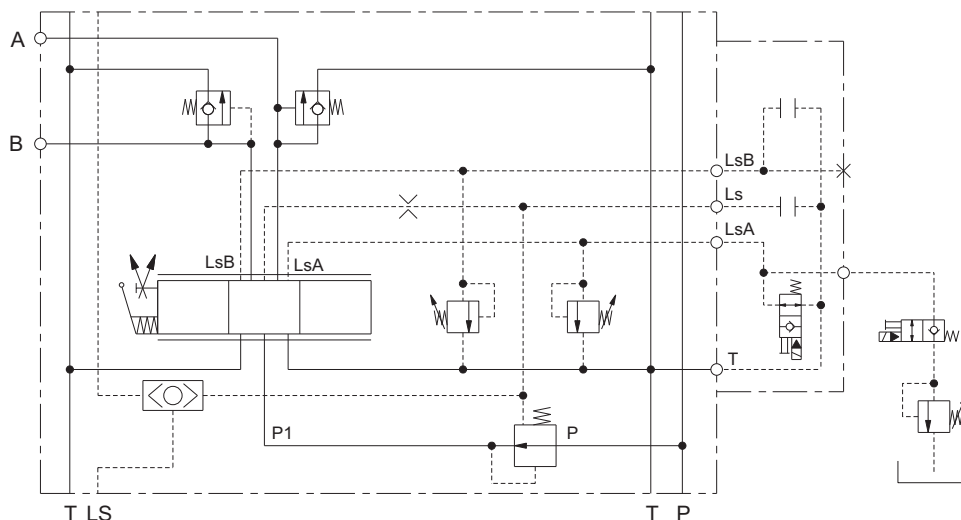
Thread BSPP G 1/4

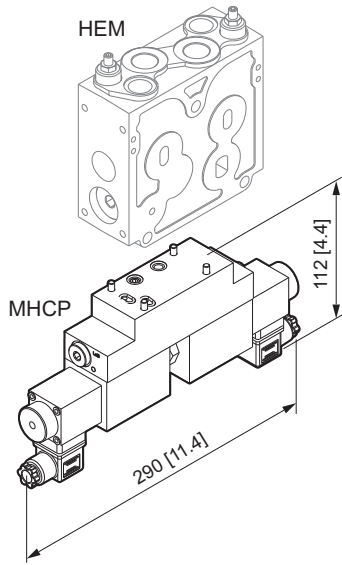
Active on LsA + LsB	Voltage	Code
	14 VDC	MHFK004106434
	28 VDC	MHFK004106442

Thread BSPP G 1/4

Active on Ls	Voltage	Code
	14 VDC	MHFK004106436
	28 VDC	MHFK004106444

Thread BSPP G 1/4





### Electrohydraulic proportional module for remote A / B ports working pressure control

MHCP is a electric proportional module that allows the working pressure to be remotely operated by means of a current signal MHPF is designed to ensure system pressure to be infinitely adjust in accordance upon the electrical command valve. When the working pressure exceed the setting pressure value, the A – B ports flow is being cut-off.

When MHCP is not energized, both pressure and flow will be maintain close to zero.

MHCP is always to be used with pressure compensated working sections.

Cast iron body.

HPV 41

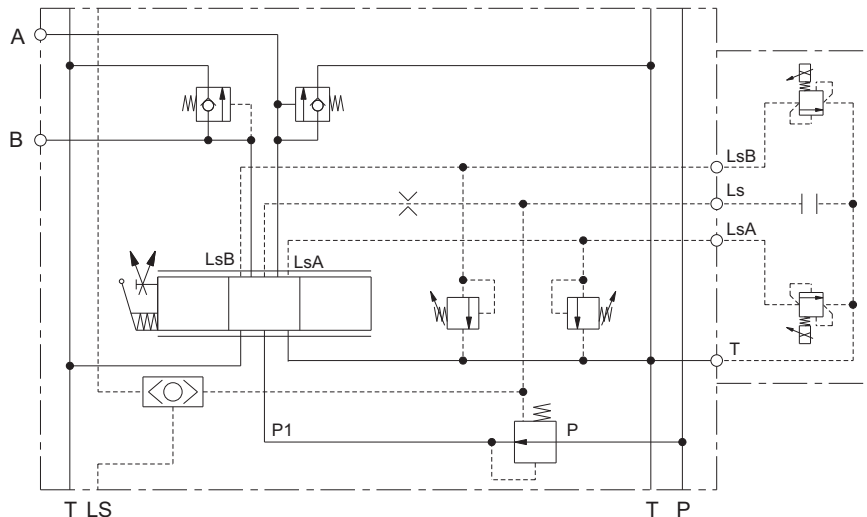
*With the electrical LsA/B unloading modules, the EU flow restrictors must always be mounted onto the spools (HEAS) see page B-86.*

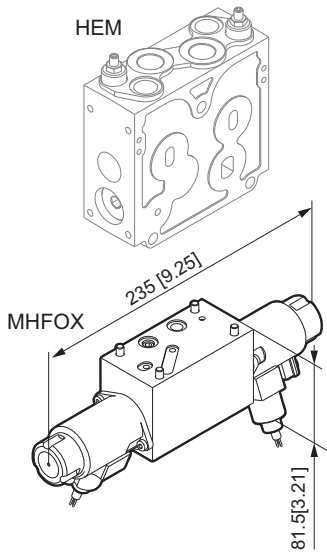
Active on LsA	Voltage	Code
	24 VDC	MHCP004106020

Active on LsB	Voltage	Code
	24 VDC	MHCP004106040

Active on LsA + LsB	Voltage	Code
	24 VDC	MHCP004106060

Active on Ls	Voltage	Code
	24 VDC	MHCP004106275





## MHFOX electrical LsA/B signal unloading module Atex version

LsA / LsB pilot signal unloading solenoid valve. If the Atex on/off solenoids are not energized, there is no flow on A/B work ports, while the pressure in the open centre circuits will be equal to the P → T unloading pressure value on the inlet section, plus the counterpressure acting on T line. In closed centre circuits (under the same operating conditions) the pressure will be equal to the stand-by pump pressure. Normally open valves. Cast iron body.

Active on LsA + LsB	Voltage	Code
	12 VDC	MHFOX04106050
	24 VDC	MHFOX04106060

With the electrical LsA/B unloading modules, the EU flow restrictors must always be mounted onto the spools (HEAS) see page B-86.

### Technical features

Nominal voltage	12 VDC	24 VDC
Coil resistance, R20	9 Ω ± 6%	35.8 Ω ± 6%
Min. current	700 mA	350 mA
Max. current	1850 mA	930 mA
Limit power	14.3 W	14.4 W
Ambient temperature	-20 ÷ +50 °C [-4 ÷ +122 °F]	
Connection cable	FL4G11Y - 3 x 1.5 mm <sup>2</sup> [3 x 15 AWG ] L = 5-5.1 mt [197-201 inch]	
Integrated diode to limit switch-off overvoltage	See coil manufacturer manual	
Short-circuit protection	With fuse - See coil manufacturer manual	
Duty cycle	100%	
Input pressure	Max. 400 bar [5800 psi]	
Switching pressure	Max 200 bar [2900 psi]	
Operating Limits	400 bar at max. flow 7 l/min [2900 psi at max. flow 1.85 US gpm]	
Flow P → T at Δp =2 bar [19 psi]	> 6.5 l/min [1.72 UD gpm]	
Leakage P → T (Oil Temp. 50°C / Input press. 400 bar [5800 psi])	< 20 ml/min [0.002 UD gpm]	
Fluid temperature	-20 ÷ +80 °C [-4 ÷ +176 °F]	
Ground connection	Up to 4 mm <sup>2</sup> - 11 AWG	
Protection class (DIN VDE 0580)	I	
Fluids	Hydraulic oil to DIN 51524.ATF-oil	
Protection ratings (DIN VDE 0470 / EN 60529)	IP67 / IP69K	
Shock-resistance to EN 50014	4 J	

ATEX electro-hydraulic modules for HPV features and safety instructions see page A-3.

For the wiring diagram of module, please refer to Instruction manual.

These modules, fitted on the proportional valve with MHOX modules, are subject to the complete certification of the valve; in this case the label will refer to the complete valve: MHOX - HEM.

When the modules are individually supplied, a label is attached to the module with the following labelling:

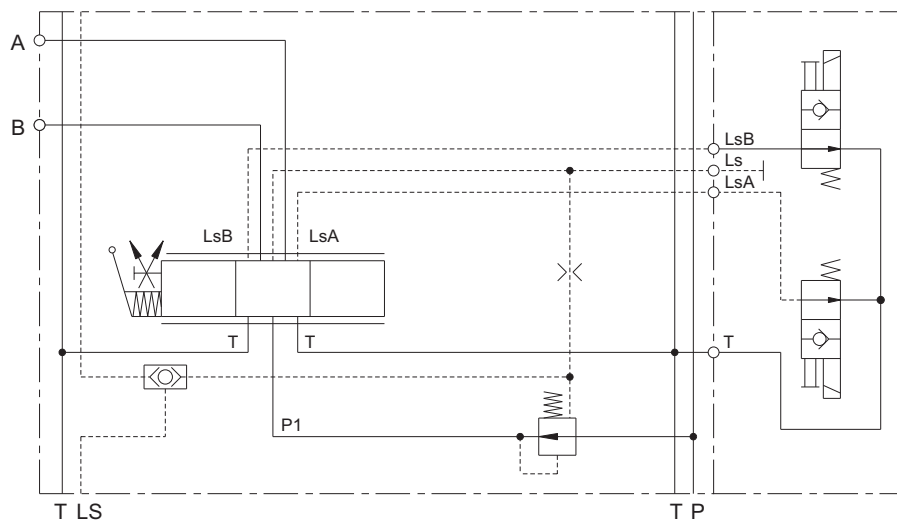
II 2 GD c T4 / T135°C  
 $T_{amb} = -20\text{ °C} \div +50\text{ °C}$   
 $T_{fluid} = -20\text{ °C} \div +80\text{ °C}$

This labelling is printed on the label of modules, in a visible position.

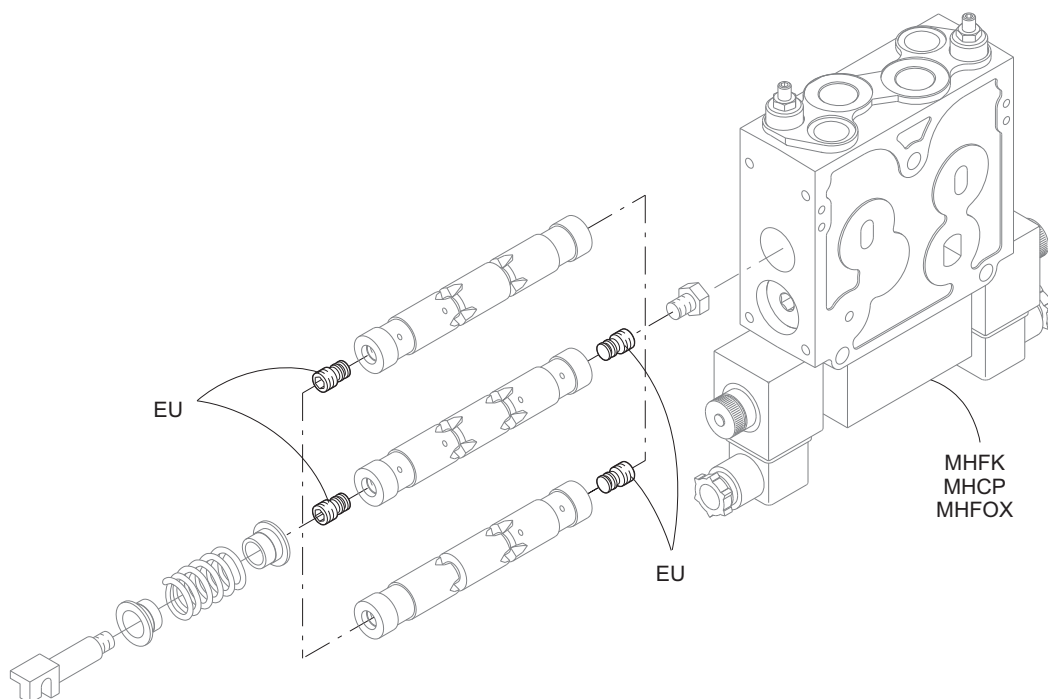
The final customer, when buying this module individually, is in charge of the assembly and coupling of such component with others ATEX components of different classes, groups and temperatures.

**ATEX electro-hydraulic modules for HPV features and safety instructions see page A-3.**

**For the wiring diagram of module, please refer to Instruction manual.**



HPV 41



**Modules, EU flow restrictors for HPV 41 spools, for LsA/B electrical unloading modules**

When the working sections (HEM) are equipped with the MHFK-MHCP-MHFOX electrical LsA/B unloading modules, the EU flow restrictors must always be mounted onto the spools (HEAS).

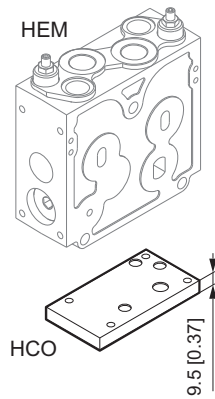
The code number has to be indicated under the spool code field in the order form.

Any kind of spool are always prearranged for EU modules.

Description	Code
Active on LsA or LsB only	HEAU004104700
Active on LsA + LsB and Ls	HEAU004104701

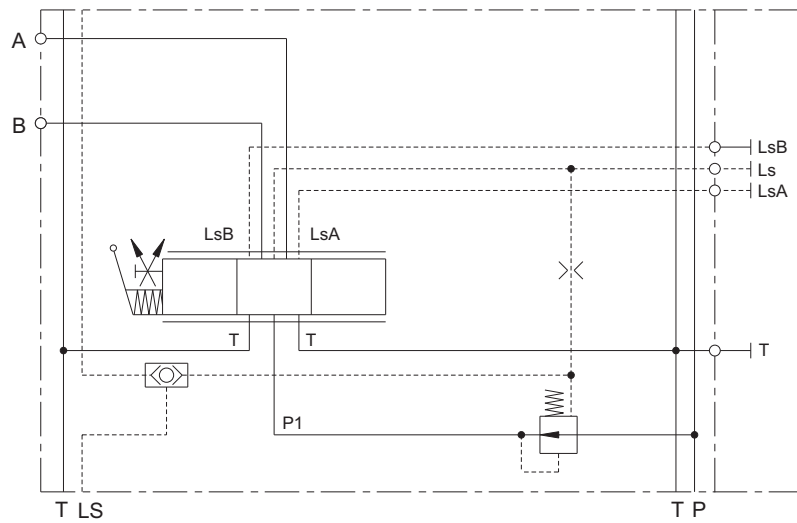
HCO module - bottom plate to close the MHFK, MHCP facilities

Aluminum body.



HCO	Code
	HCO0004104224

HPV 41



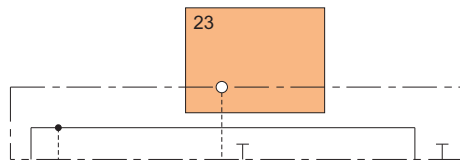
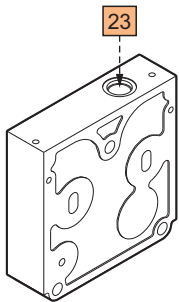


HSC end sections

Available versions:

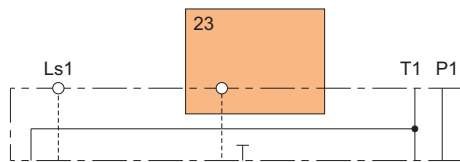
- With no ports
- With Ls1, P1, T1 ports
- With Ls1 port

Made in cast iron.



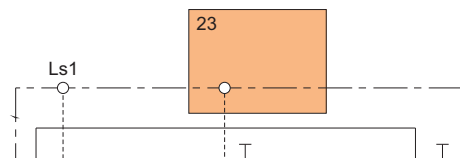
With no ports

Code	
BSPB	UN - UNF
HSC0004105005	



With Ls1, P1, T1 ports

Code	
<b>Ports</b> P1, T1 (3/4" BSPP) Ls1 (1/4" BSPP)	<b>Ports</b> P1, T1 (1 1/16"-12UNF-2B) Ls1 (7/16"-12UNF-2B)
HSC0004105010	HSC0004105015



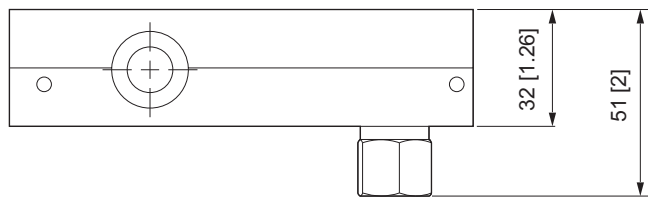
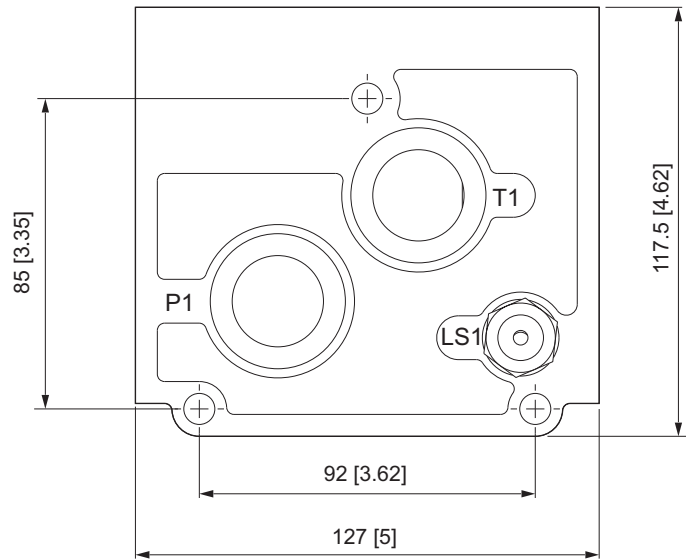
With Ls1 port

Code	
<b>Ports</b> Ls1 (1/4" BSPP)	<b>Ports</b> Ls1 (7/16"-12UNF-2B)
HSC0004105011	HSC0004105016

23 Plug or cartridge page B-93



## HSC end section overall dimensions



mm [inch]

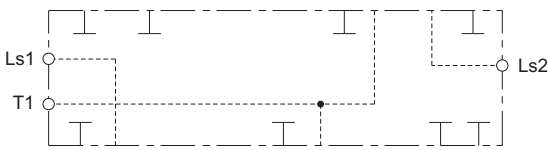
**HPV 41**

HPV 41



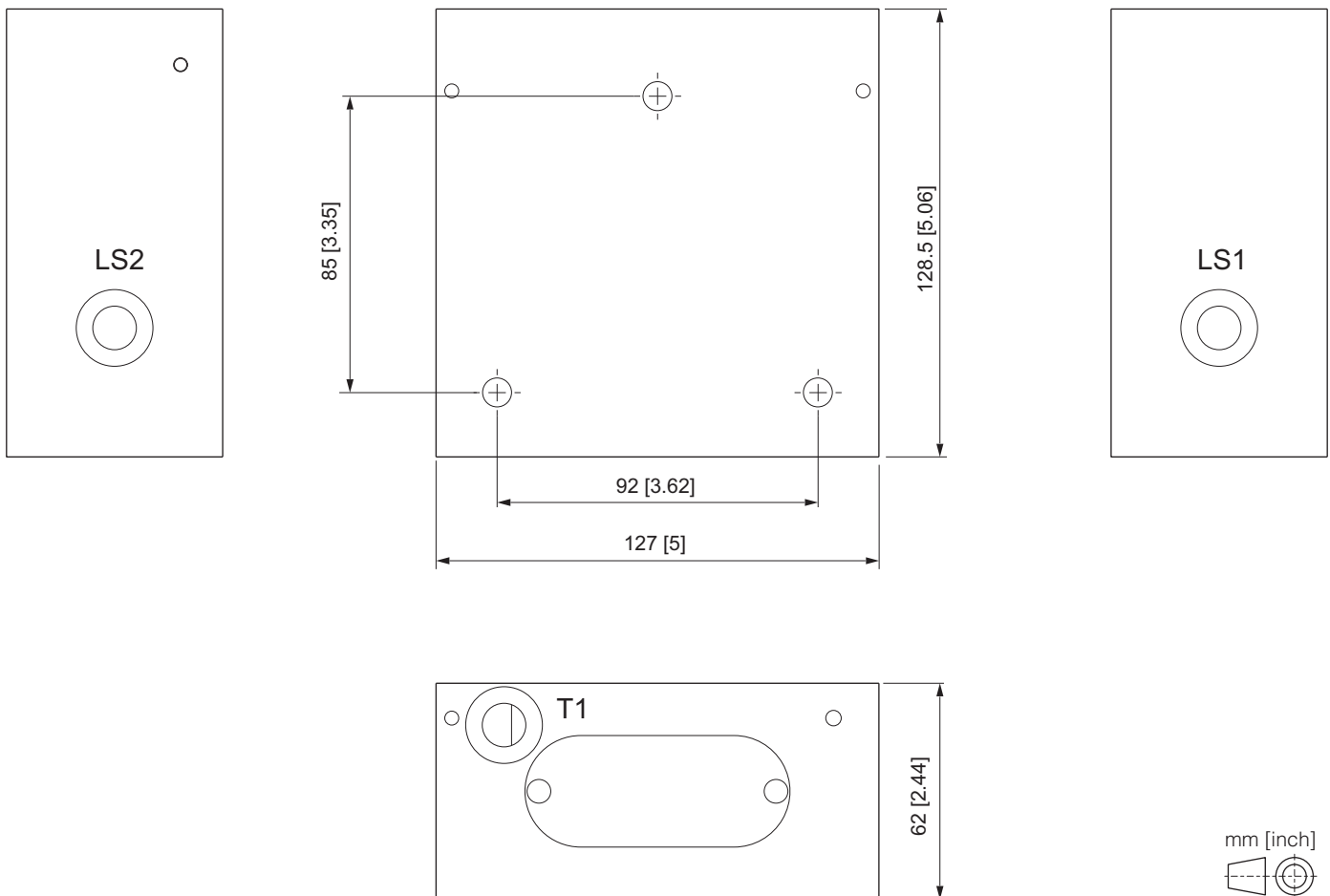
### HPFS mid end section

HPFS mid end section allows two inlet sections HSE in one HPV. Cast iron body.



Code	
<b>Ports</b> T1 (1/4" BSPP)	<b>Ports</b> T1 (7/16"-20UNF-2B)
<b>HPFS004106121</b>	<b>HPFS004106122</b>

### HPFS mid end section overall dimensions





The HSIF interface allows an hydraulic connection between the elements of HPV41proportional valves with the elements of CXDH3 / CX3 proportional valves or CDH3 / CD3 / CDC3 on/ off valves.

This type of combination is highly appreciated in case of high flow differences between the controlled actuators.

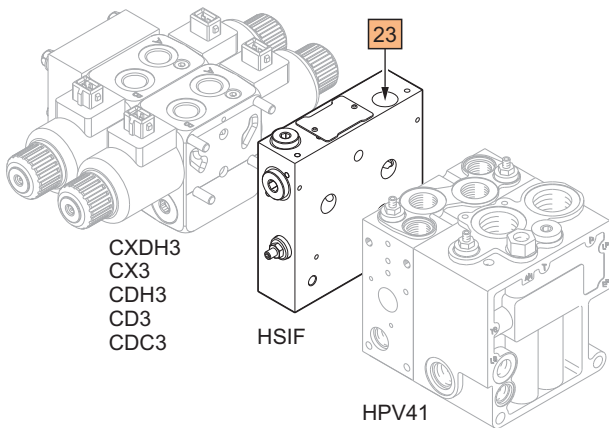
The HSIF module must be inserted into the proportional valve configuration between the last HPV41 working section and the first CXDH3 / CX3 / CDH3 / CD3 / CDC3 working section.

Up to 8 elements of HPV41 and 8 elements of CXDH3 / CX3 / CDH3 / CD3 / CDC3 can be installed.

The HSIF interface replaces the inlet module for CXDH3 / CX3 / CDH3 / CD3 / CDC3.

**NOTE:** You have to indicate in composition module the plug or the cartridge (see page B-93).

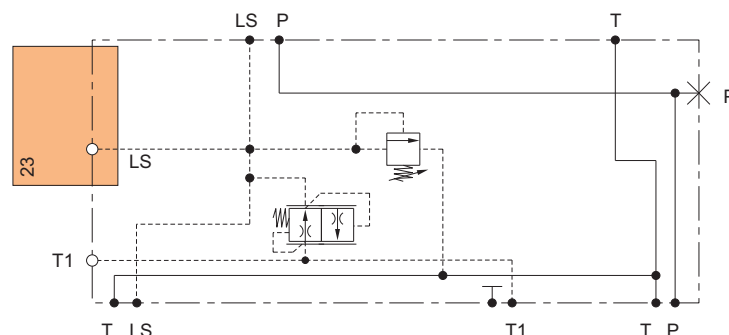
HPV 41



Max. operating pressure	300 bar [4351 psi]
Max. flow	80 l/1' [21 US gpm]
Weight (with coil)	3.8 kg [8.4 lb]

Description	Code
Cast iron HSIF interface	<b>HSIF004105033</b>

Side CXDH3 / CX3 / CDH3 / CD3 / CDC3



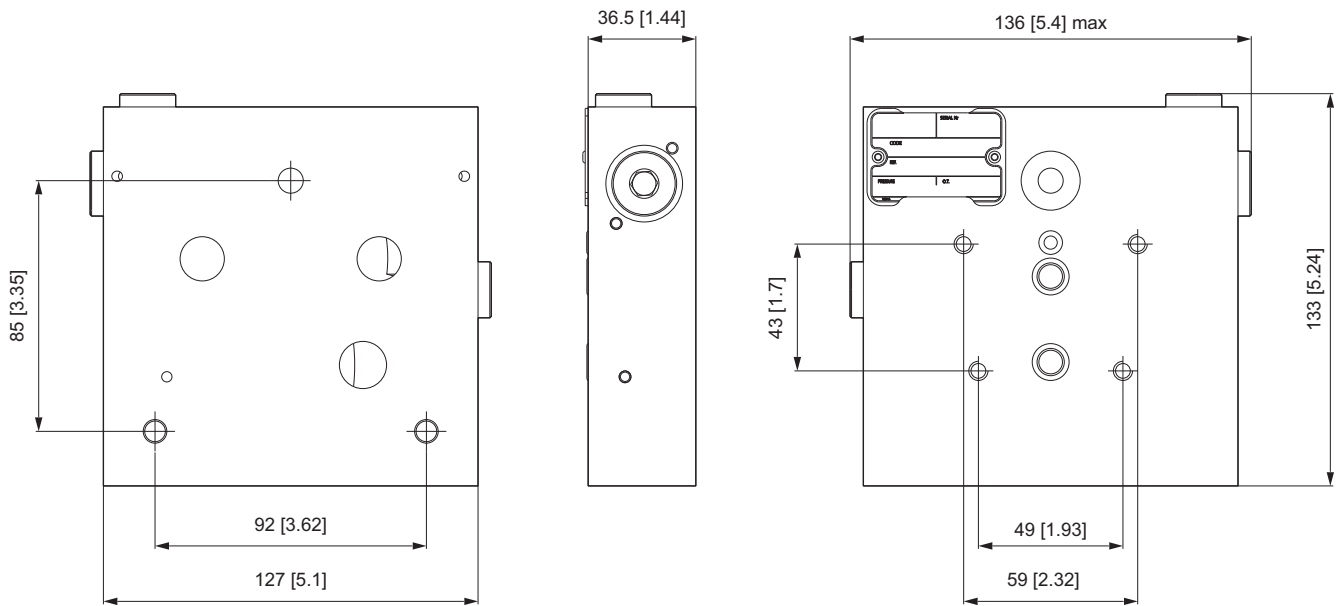
Side HPV 41

**23** Plug or cartridge page B-93

**Bankable valves CXDH3 / CX3 / CDH3 / CD3 / CDC3 see catalogue code DOC00046)**

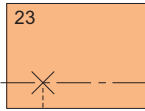

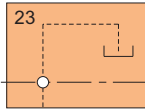
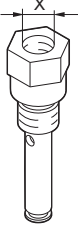
## HSIF interface overall dimensions

**HPV 41**

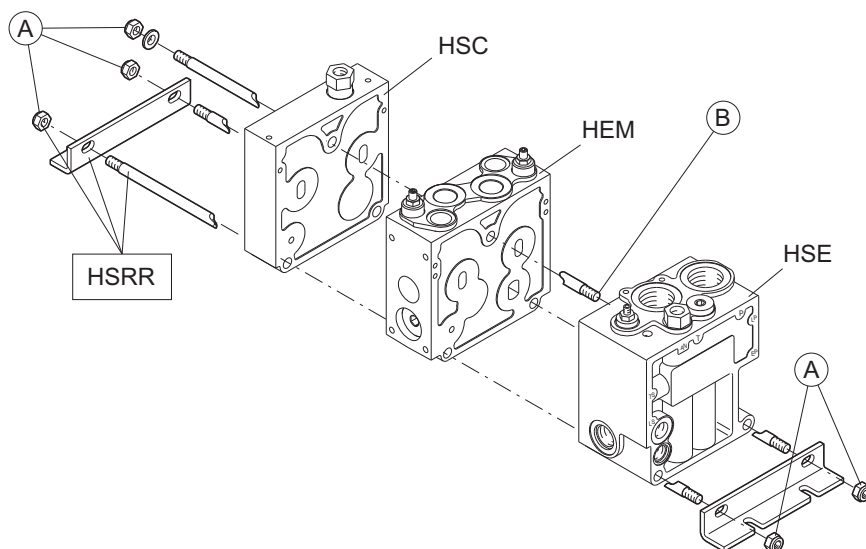


mm [inch]

## Accessories for HSC end section and HSIF interface

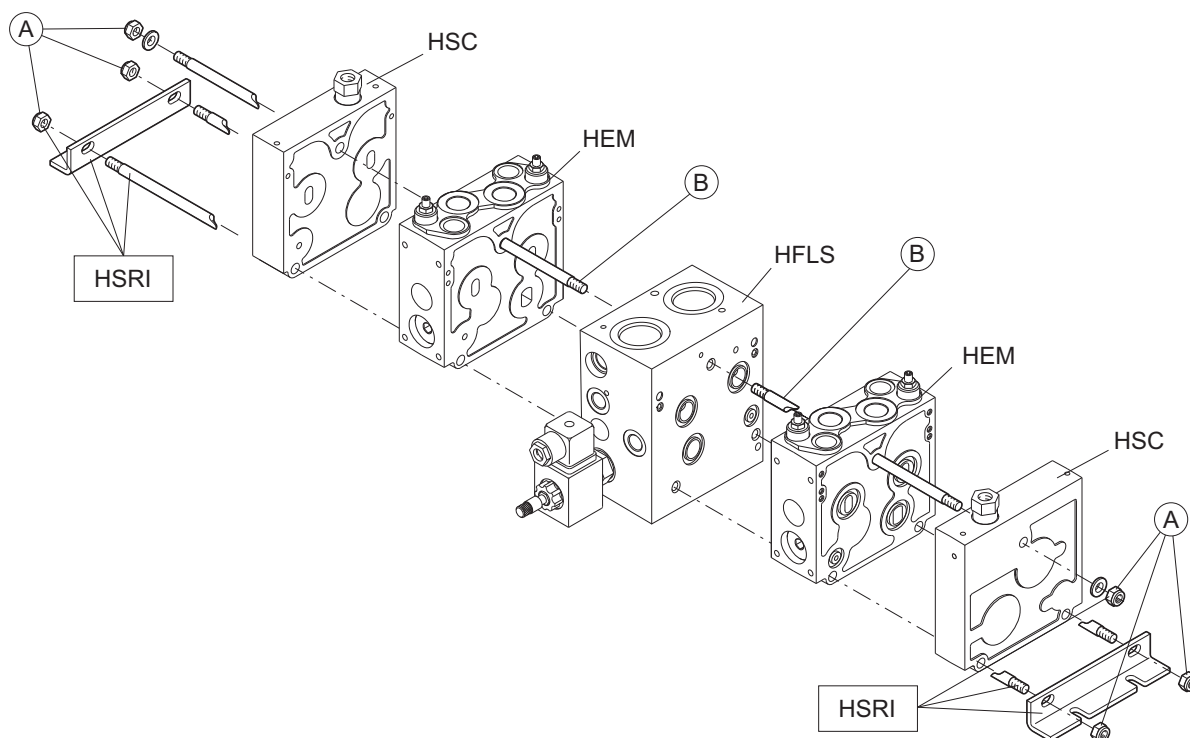
Code		Description	Symbol / Field	Draw
BSPP	UN - UNF			
<b>HESC004103010</b>		<b>HESC</b> Internal drain plug for HSC module, for mechanical or hydraulic controls		
<b>CSRV004101203</b>  1/4" BSPP	<b>CSRV004101204</b>  7/16"-20UNF-2B	<b>CSRV</b> External drain cartridge for HSC module, for electrical activations (to be connected to drain line)		

**HPV 41**



No. of working sections (HEM)	Code
1	HSRR004105551
2	HSRR004105552
3	HSRR004105553
4	HSRR004105554
5	HSRR004105555
6	HSRR004105556
7	HSRR004105557
8	HSRR004105558
9	HSRR004105559
10	HSRR004105560

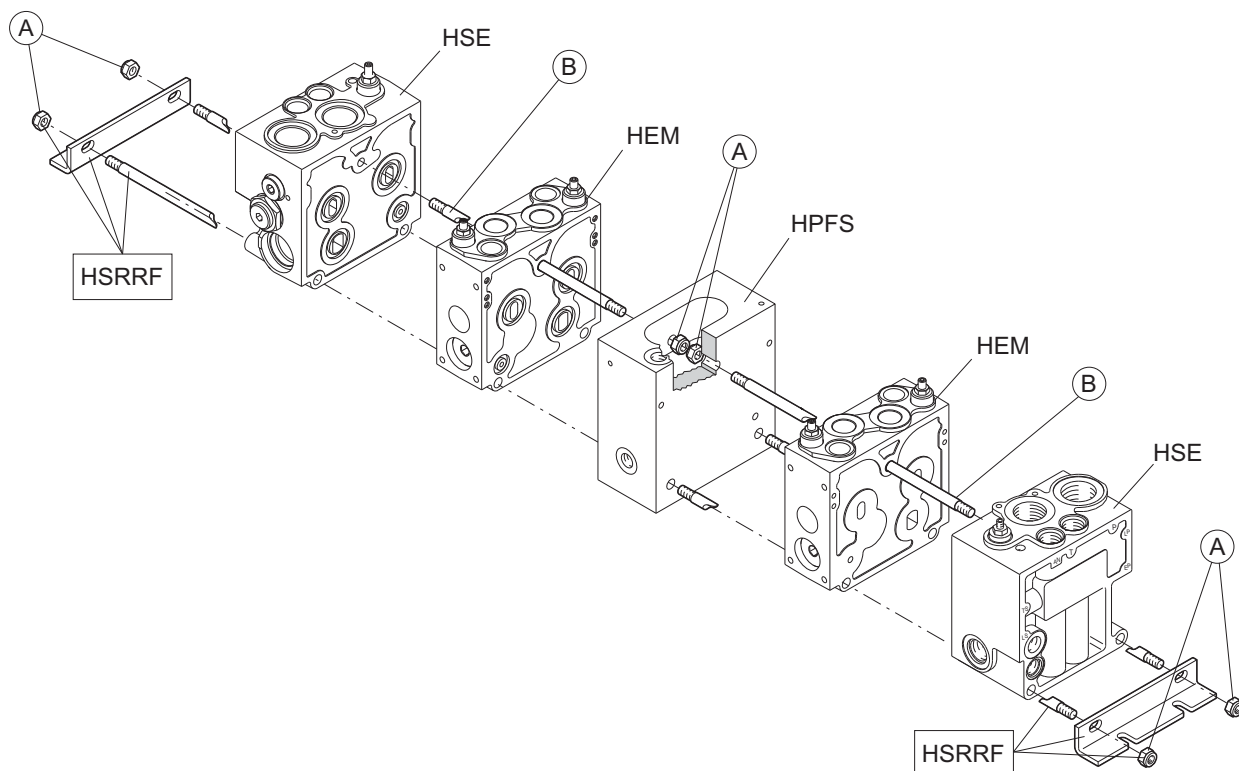
Tightening torques nuts "A" :  $22.5 \pm 2$  Nm [16.6 ± 1.5 lbf-ft]  
 Tightening torques stud bolts "B" :  $25 \pm 2$  Nm [18.4 ± 1.5 lbf-ft]



HPV 41

No. of working sections (HEM)	Code
1	HSRI004105561
2	HSRI004105562
3	HSRI004105563
4	HSRI004105564
5	HSRI004105565
6	HSRI004105566
7	HSRI004105567
8	HSRI004105568
9	HSRI004105569
10	HSRI004105570

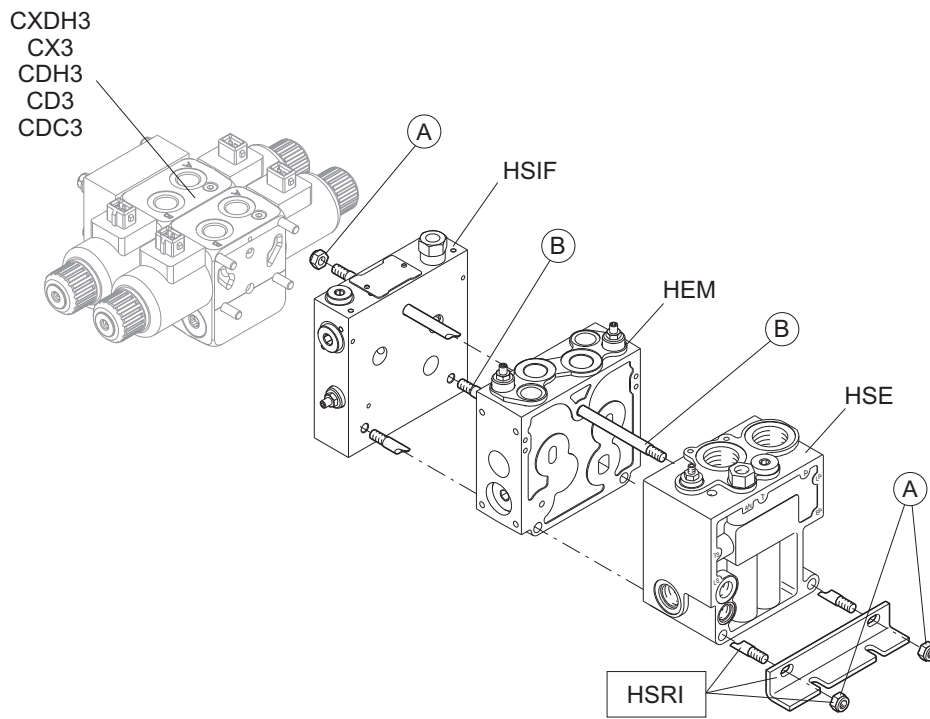
Tightening torques nuts "A" :  $22.5 \pm 2$  Nm [ $16.6 \pm 1.5$  lbf-ft]  
 Tightening torques stud bolts "B" :  $25 \pm 2$  Nm [ $18.4 \pm 1.5$  lbf-ft]



No. of working sections (HEM)	Code
1	HSRRF04105651
2	HSRRF04105652
3	HSRRF04105653
4	HSRRF04105654
5	HSRRF04105655
6	HSRRF04105656
7	HSRRF04105657
8	HSRRF04105658

Tightening torques nuts "A" :  $22.5 \pm 2$  Nm [16.6 ± 1.5 lbf-ft]  
 Tightening torques stud bolts "B" :  $25 \pm 2$  Nm [18.4 ± 1.5 lbf-ft]





No. of working sections (HEM)	Code
1	HSRI004105701
2	HSRI004105702
3	HSRI004105703
4	HSRI004105704
5	HSRI004105705
6	HSRI004105706

Tightening torques nuts "A" :  $22.5 \pm 2$  Nm [ $16.6 \pm 1.5$  lbf-ft]  
 Tightening torques stud bolts "B" :  $25 \pm 2$  Nm [ $18.4 \pm 1.5$  lbf-ft]

# Spare parts seals kits

HPV 41

For sections and controls		Code							
		RKRC0723000	RKRC0730000	RKRC1751000	RKRC1752000	RKRC1754000	RKRC1757000	2005502	2005506
Rear cover	HCF		•						
Hydraulic remote control	HCH			•					
Electrical	HCK	•							
Mechanical control	HCM				•				
Friction	HCN					•			
Rear cover	HCP					•			
Rear cover	HCPA		•						
Spool lock device	HCPD					•			
Kick-out device	HCPK							•	
Working section	HEM						•		
Intermediate inlet section	HFLS						•		
Intermediate end section	HPFS								
End section	HSC								
Inlet section	HSE						•		
Bankables interface	HSIF						•		
Electrical	MHOF			•					
Electrical	MHPED			•					
Electrical	MHPEPD			•					
Electrical activation	MHPH			•					
Electrical	MHPOD			•					
Electrical	MSPF	•							
Double pilot operated check valve	RWR								•

See composition form page B-21.

# Inlet section Open Centre and Closed Centre



## Standard HSE inlet sections

The inlet sections are available in two versions:

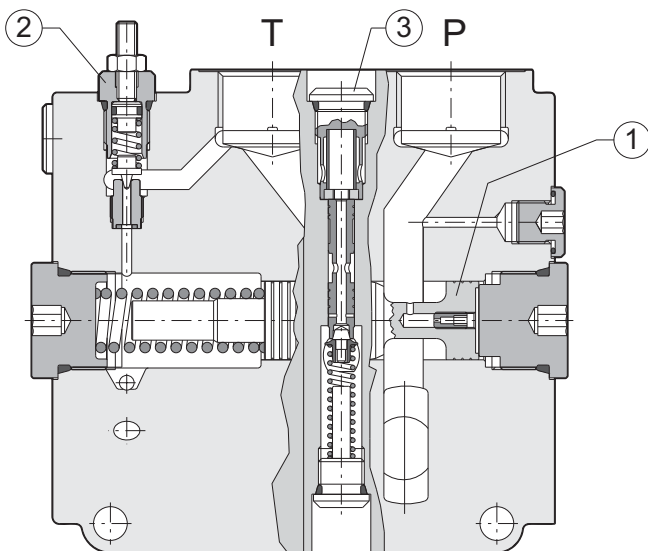
- **open centre for use with fixed displacement pumps**
- **closed centre for use with load-sensing pumps**

In the **open centre** versions, when the spool is not working, the flow/ pressure regulator pos. 1 unloads to T the entire pump flow (see characteristic curves).

Otherwise, when the spool is working, it will feed the controlled element or elements, adapting instantaneously to the actual flow required by the ports and unloading any excess flow at the highest pressure of that moment to the tank.

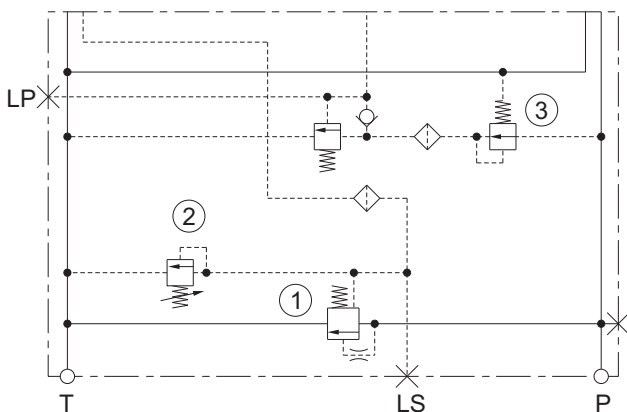
By changing two internal pilot lines, the section is converted into a closed centre version. In the closed centre versions, the regulator pos. 1 only maintains the pressure regulator function, becoming the first stage of the main pressure relief valve pos. 2, which must be calibrated to about 30 bar more than the maximum work pressure.

Both versions can be supplied with the pressure reduction valve pos. 3 where originates a low pressure line (22 bar [319 psi]) that feeds the MHPED electrohydraulic modules or also the same hydraulic manipulators. Obviously, if the valve is only equipped with manual control, the pressure reduction valve is not required.

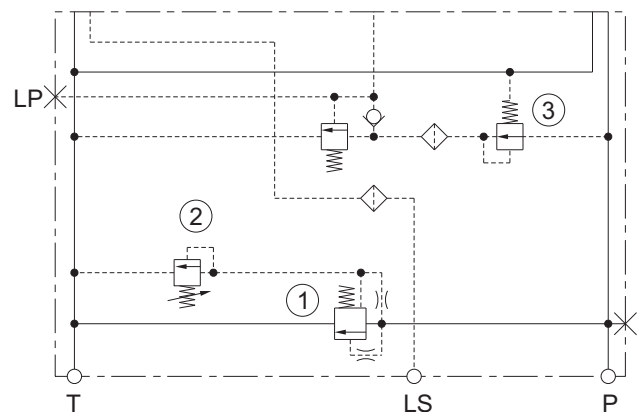


Standard HSE inlet section

1	3 way flow regulator
2	Pilot pressure relief valve
3	Pressure reduction valve
Lp	Low pressure port, 22 bar [319 psi]



open centre



closed centre

# Inlet section Open Centre and Closed Centre

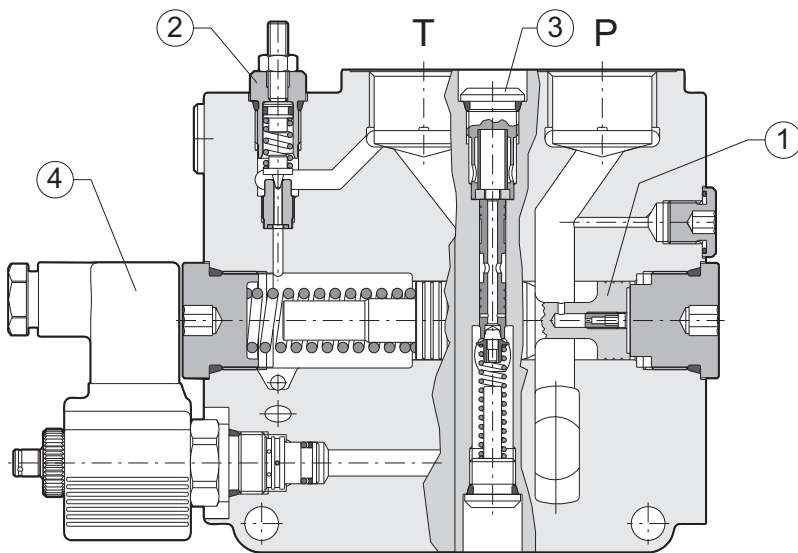


All versions can be supplied **with an Ls signal unloading solenoid valve** pos. 4. The solenoid valve can be normally open or normally closed. If it is activated during the work phases it immediately unloads the load sensing signal and subsequently stops all movements of the actuators.

In the open centre versions, the pump unloading pressure value is equal to the sum of the counterpressure acting on the T line plus the pressure required to open the flow/pressure regulator pos. 1 to connect P to T (often from 8 to 15 bar - 116 to 218 psi).

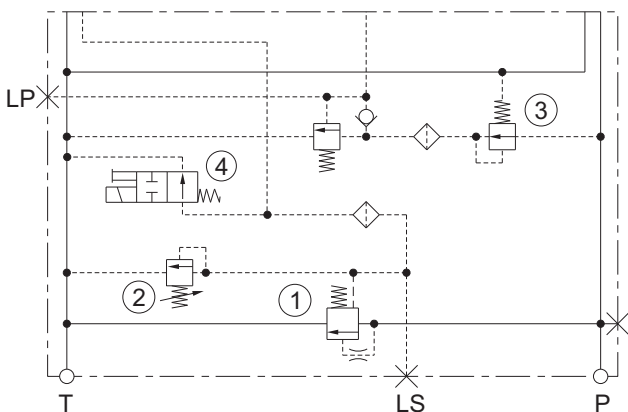
In the closed centre versions, unloading the LS signal lowers the pressure in P at a value equal to the stand-by pressure at which the pump is regulated.

Using the solenoid LS unloading valve on the inlet sections in the open and closed centre versions, we urge grate care in this method, because all functions requiring a lower working pressure, might be operated.

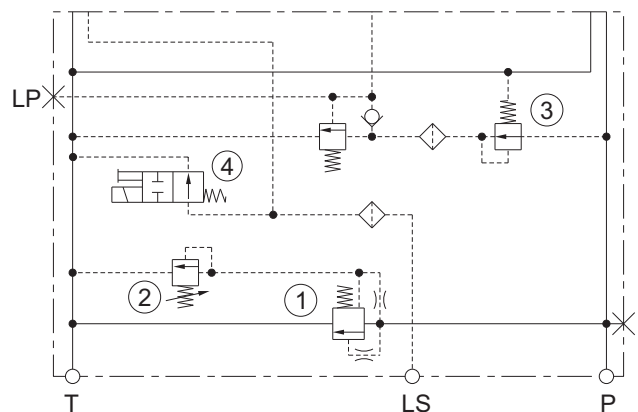


1	3 way flow regulator
2	Pilot pressure relief valve
3	Pressure reduction valve
4	Solenoid Ls unloading valve
Lp	Low pressure port, 22 bar [219 psi]

Standard HSE inlet section with solenoid Ls unloading valve (CRP04HP)



open centre



closed centre

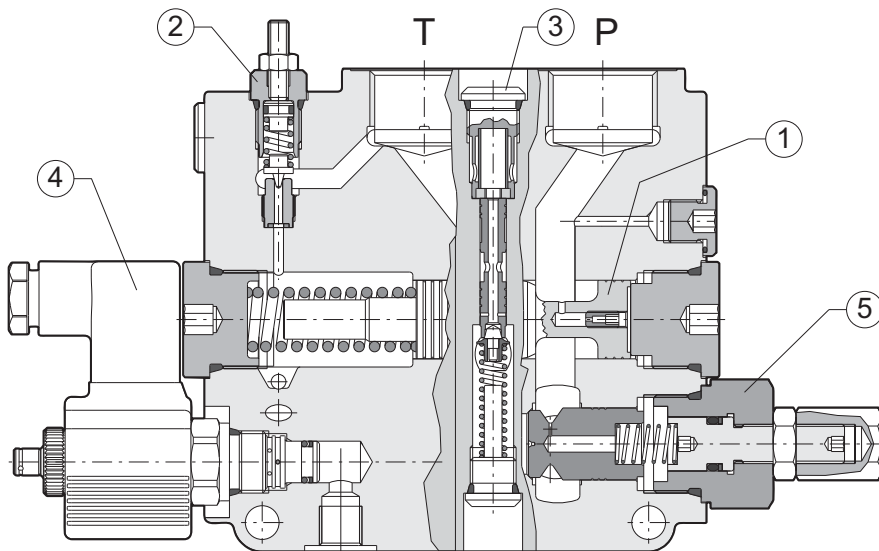
# Inlet section Open Centre and Closed Centre



In the open and closed centre versions, it is possible to mount a **remote-controlled cartridge logic element** (pos. 5) for rapid pump unloading, thus by-passing the flow/pressure regulator (pos. 1).

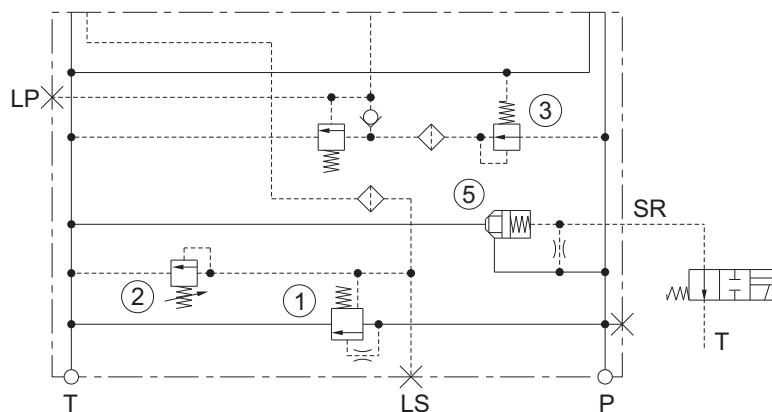
In this configuration, the pump unloading pressure value is equal to the sum of the counterpressure acting on the T line, plus the pressure required to open the HSER valve (0.6 bar - 8.7 psi) to connect P with T.

With this solution the  $\Delta p$  for pump unloading is much lower than what would be created instead using the Ls signal unloading solenoid valve (see characteristic curves).



1	3 way flow regulator
2	Pilot pressure relief valve
3	Pressure reduction valve
5	Cartridge logic element, HSER
Lp	Low pressure port, 22 bar [319 psi]

Standard HSE inlet section with pump unloading valve function (HSER)



open centre

HPV 77

# Open center systems

With the spools 15 in the central position, the Ls line, the chamber on the spring side of the flow/pressure regulator (1A) and the chamber on the spring side of the pressure compensator (11) are connected with the exhaust core (T), allowing the pump flow to be conveyed to the tank through the flow/pressure regulator (1A).

The pump flow, the spring load of the flow/pressure regulator (1A) and the counterpressure acting on the exhaust line (T), determine the pump free circulation pressure (See characteristic curves).

When the spool (15) is activated, the port selected is placed in communication with line P1 and the work pressure through line Ls is sent to the flow/pressure regulator (1A).

The flow obtained will only depend on the crossing area of the spool and the relative  $\Delta p$  that will be created along the spool adjustment range.

If two or more spools operating at different pressure values are activated at the same time, the pressure compensators (11) will keep the pressure drop constant ( $\Delta p$ ) and thus the flow on the spools (15) will be constant within the maximum pump flow range.

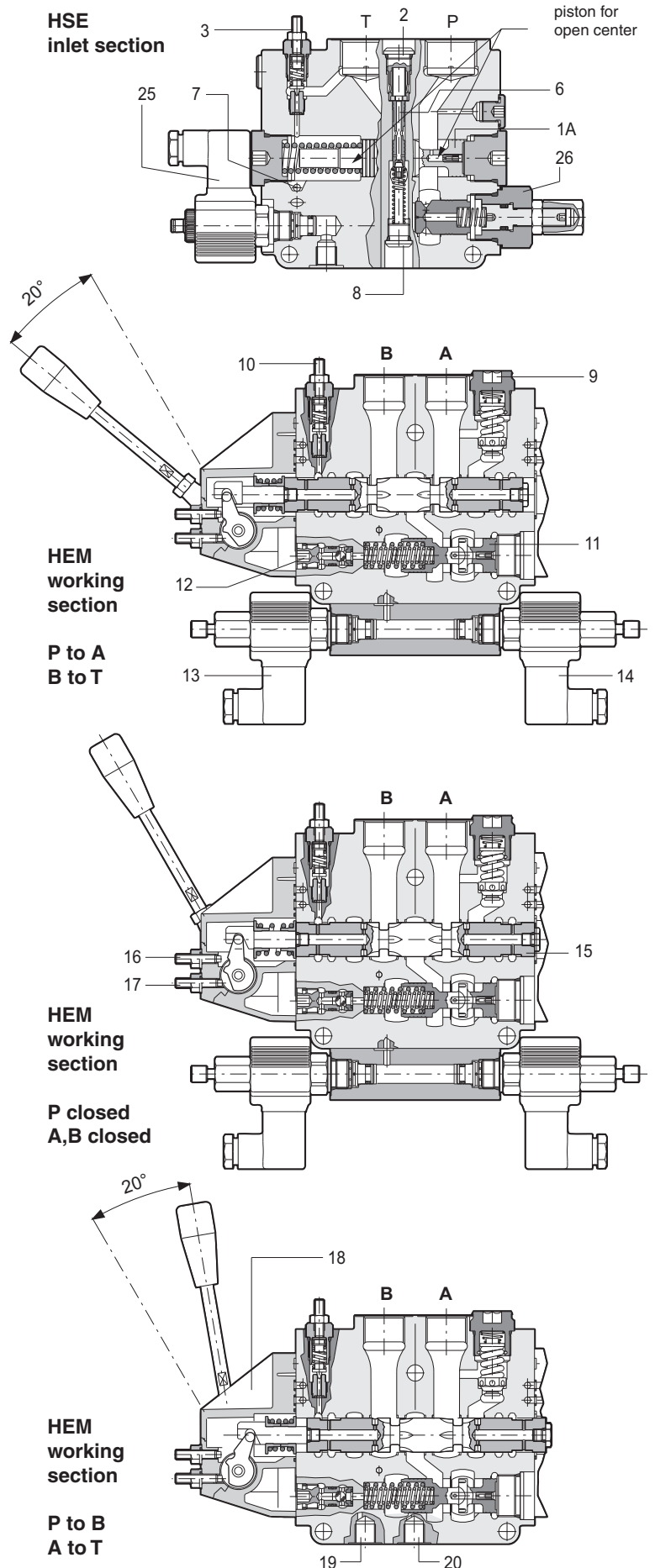
On the other hand, if two or more spools of elements without pressure compensators are activated simultaneously, the flow on the spools will not be constant but will vary according to the work pressures.

The Load Sensing pressure relief valves (10), using a small pilot line flow, precisely limit the pressure at ports A/B without wasting energy, unlike the anti-shock valve which also when unloading the entire flow of the spools, are very wasteful.

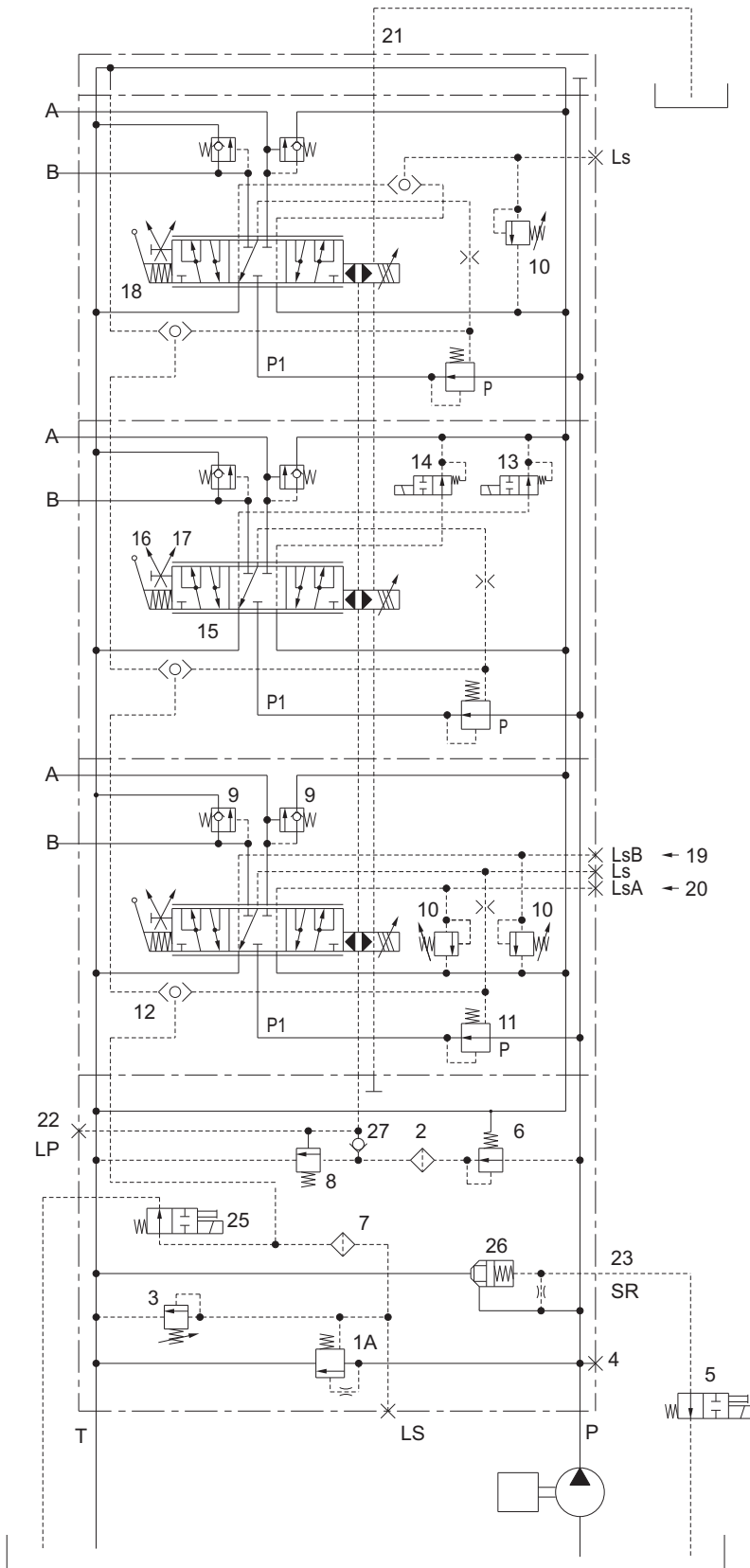
The on-off solenoid valves (13-14) which cut off the LsA and LsB pilot lines, if activated, instantaneously cancel the flow on the relative port.

The pressure reduction valve (6) supplies a low pressure line (22 bar [319 psi]) which internally feeds the MHPE electrohydraulic modules and, externally, the hydraulic manipulators through the port 22.

The max. work pressures of ports A/B of each element can be remote controlled using the LsA and LsB pilot line ports.



# Open center systems



- 1A Flow/pressure regulator
- 2 Low pressure line filter
- 3 Main pressure relief valve
- 4 Pump pressure gauge port
- 5 Pump unloading valve
- 6 Pressure reduction valve
- 7 Load sensing line filter
- 8 Low pressure line relief valve
- 9 Shock and suction valve
- 10 Ls pressure relief valve
- 11 Pressure compensator
- 12 Shuttle valve
- 13 LsB signal unloading solenoid valve
- 14 LsA signal unloading solenoid valve
- 15 Spool
- 16 A port flow fine adjustment register
- 17 B port flow fine adjustment register
- 18 Cover for manual control kinematic motion
- 19 LsB pressure pilot line port
- 20 LsA pressure pilot line port
- 21 Drain port
- 22 Low pressure pilot line port
- 23 Pilot line, pump unloading valve
- 25 Ls signal unloading solenoid valve
- 26 Pump unloading valve
- 27 Unidirectional valve

HPV 77

# Closed center systems

With the spools (15) in central position, the Ls line, the chamber on the spring side of the pressure compensators (11) and the pump flow/pressure regulator (24) are connected with the return line (T), allowing the pump to shift to the stand-by position.

When the spool (15) is activated, the port selected is placed in communication with line P1 and the work pressure through line Ls is sent to the pump flow/pressure regulator (23).

The flow obtained will only depend on the crossing area uncovered by the spool stroke and on the resulting  $\Delta p$ .

In this way the pump flow will adjust instantaneously to the actual flow required at the ports while keeping the differential pressure constant between the pump and the Ls signal.

The second stage of the pilot line pressure (3) must be set at 20-30 bar [290-435 psi] more than the maximum setting of the pump pressure/flow regulator (23). If two or more spools operating at different pressure values are activated at the same time, the pressure compensators (11) will keep the pressure drop constant ( $\Delta p$ ) and thus the flow at the spools (15) will be constant within the maximum pump flow range.

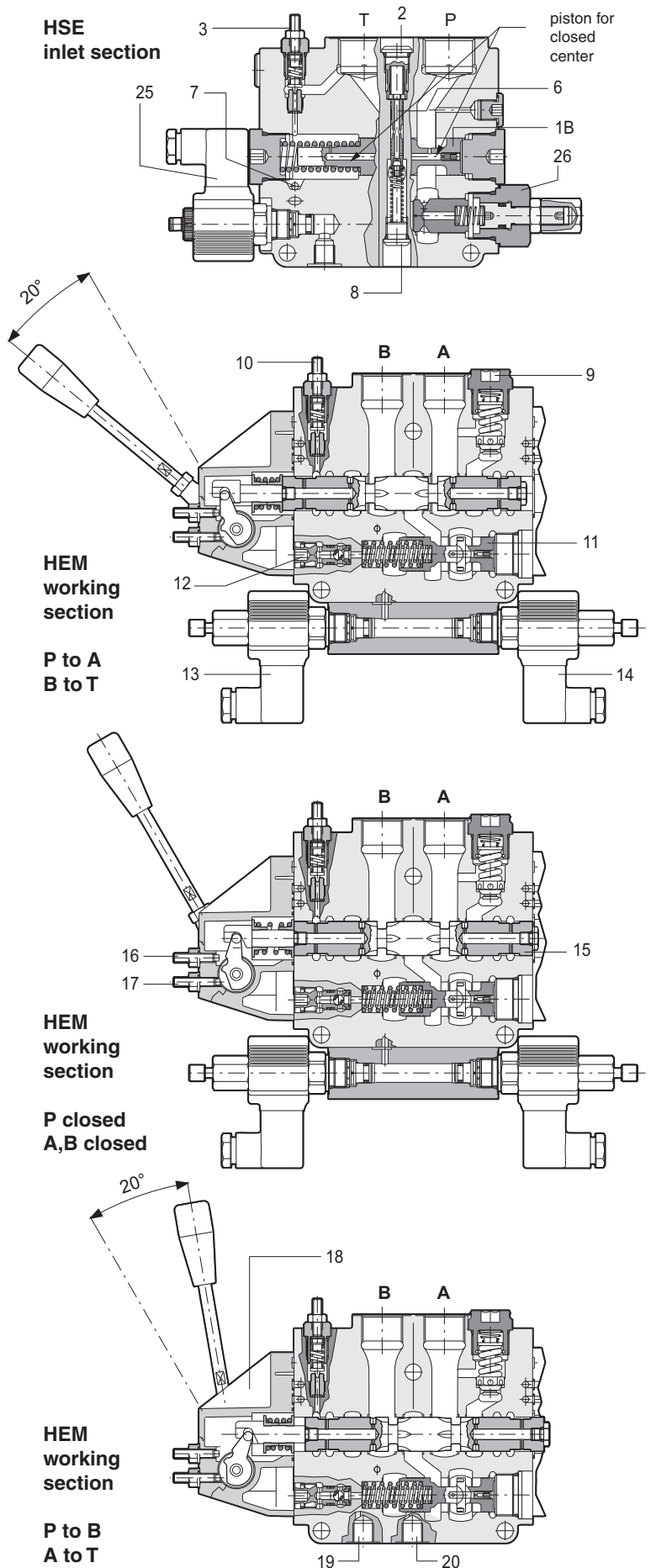
On the other hand, if two or more spools of elements without pressure compensators are activated simultaneously, the flow on the spools will not be constant but will vary according to the work pressures.

The Load Sensing pressure relief valves (10), activated by a small pilot flow, precisely limit the pressure at ports A/B with no energy dissipation, unlike the anti-shock valves which, also when unloading the entire flow of the spools, are very dissipative.

The on-off solenoid valves (13-14) which cut off the LsA and LsB pilot lines, if activated, instantaneously cancel the flow at the relative port.

From the pressure reduction valve (6) starts a low pressure line (22 bar [319 psi]) which internally feeds the MHPE electrohydraulic modules and, externally, the hydraulic manipulators through port 22.

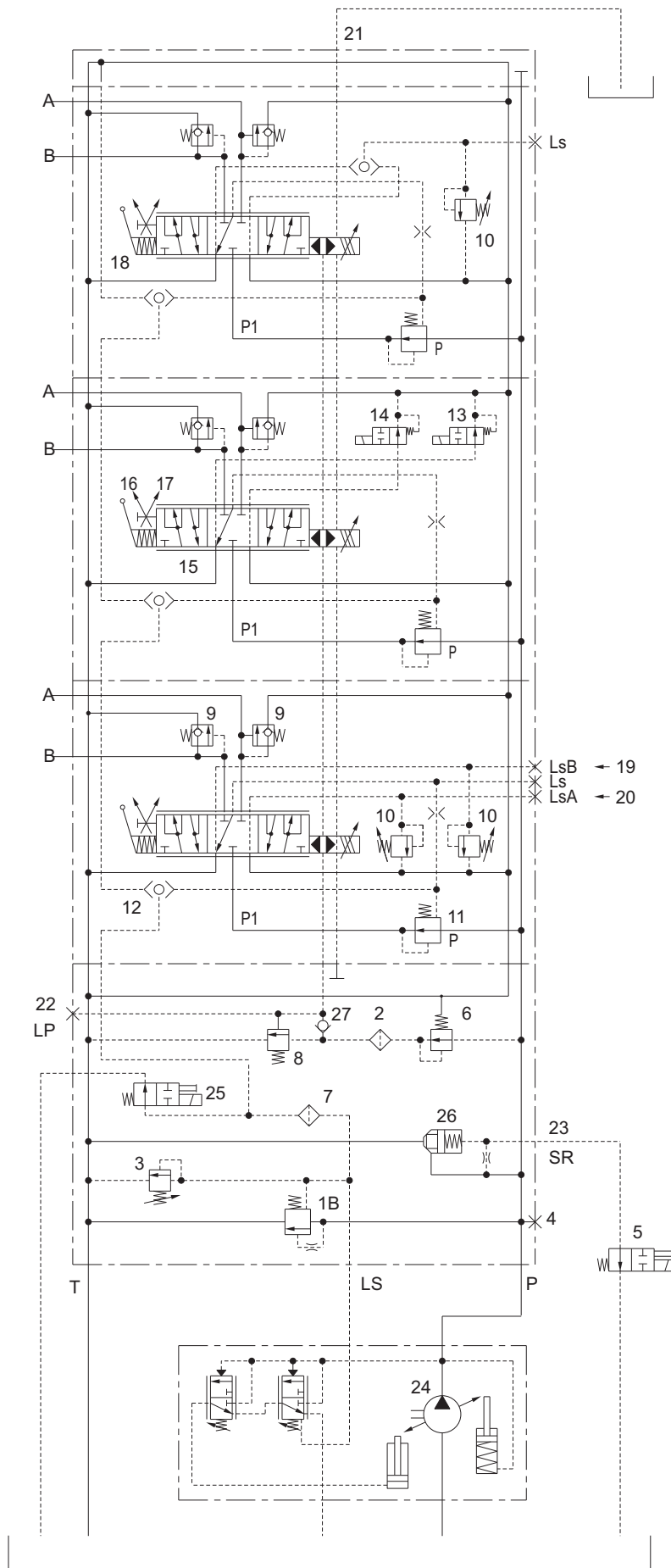
The max. work pressures of A/B ports of each element can be remote controlled using the LsA and LsB pilot line ports.



HPV 77



# Closed center systems



- 1B Pressure regulator first stage
- 2 Low pressure line filter
- 3 Main pressure relief valve
- 4 Pump pressure gauge port
- 5 Pump unloading valve
- 6 Pressure reduction valve
- 7 Load sensing line filter
- 8 Low pressure line relief valve
- 9 Shock and suction valve
- 10 Ls pressure relief valve
- 11 Pressure compensator
- 12 Shuttle valve
- 13 LsB signal unloading solenoid valve
- 14 LsA signal unloading solenoid valve
- 15 Spool
- 16 A port flow fine adjustment register
- 17 B port flow fine adjustment register
- 18 Cover for manual control kinematic motion
- 19 LsB pressure pilot line port
- 20 LsA pressure pilot line port
- 21 Drain port
- 22 Low pressure pilot line port
- 23 Pilot line, pump unloading valve
- 24 Pump flow/pressure regulator
- 25 Ls signal unloading solenoid valve
- 26 Pump unloading valve
- 27 Unidirectional valve

HPV 77



## General features

The HPV proportional valves are proportional directional valves with two functional characteristics:

- Directional regulation.
- Flow regulation insensitive to the variation of the load applied to the actuator.

They can be remotely controlled and represent the most advanced technology in the world of applied hydraulics.

Proportional distributors differ in “open center” and “closed center”:

- Proportional open center distributors are used with fixed displacement pumps.
- The closed center proportional valves are used with variable displacement pumps with load sensing control.

## Hydraulic features

The hydraulic features reported below were measured using a mineral based hydraulic oil according to DIN 51524 or ISO 6743/4 with a viscosity of 25 mm<sup>2</sup>/s [130 SUS] at a temperature of 50 °C [122 °F]

Rated flow	HSE inlet section, P port		250 l/min	66 US gpm
	Mid inlet section, HFLS HPV77-HPV77		390 l/min	103 US gpm
	Mid inlet section, HFLS HPV77-HPV41		340 l/min	90 US gpm
	A, B ports with pressure compensator		190 l/min	50 US gpm
	A, B ports without pressure compensator		220 l/min	58 US gpm
Max. working pressure	Connection P / P port	Pressure relief valve setting	400 bar	5800 psi
		Working pressure	370 bar	5370 psi
	Ports A, B		370 bar	5370 psi
	Connection Y		to tank	
	Connection T	Static	25 bar	363 psi
Dynamic		35 bar	508 psi	
Max. pilot pressure oil supply			18 ÷ 36 bar	260 ÷ 520 psi
Oil temperature	Recommended		-30 ÷ 60 °C	-22 ÷ +140 °F
	Min.		-25 °C	-13 °F
	Max.		+80 °C	+176 °F
Ambient temperature			-30 ÷ 60 °C	-22 ÷ +140 °F
Viscosity	Recommended		12 ÷ 80 mm <sup>2</sup> /s (cSt)	
	Min.		4 mm <sup>2</sup> /s (cSt)	
	Max.		460 mm <sup>2</sup> /s (cSt)	
Filtering	Max. contamination: class 9 according to NAS 1638 (20/18/15 according to ISO 4406)			
Stroke	Spool stroke		± 8 mm	± 0.315 in
	Proportional		± 6.5 mm	± 0.256 in
Dead band			± 1.5 mm	± 0.059 in
Nominal internal leakage at 180 bar (2611 psi)	A, B → T	Without anti-shock valves	28 cm <sup>3</sup> /min	1.71 in <sup>3</sup> /min
		With anti-shock valves	34 cm <sup>3</sup> /min	2.07 in <sup>3</sup> /min

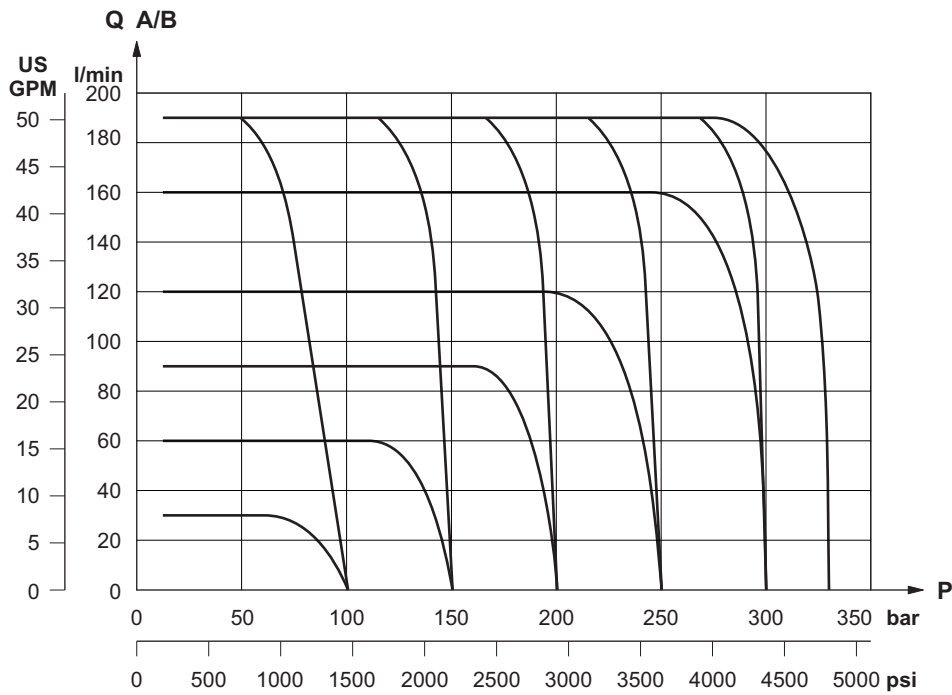
HPV 77 internal (easy replacement) filters, mesh 100 µm.

Mineral oil hydraulic fluid: according to DIN 51524 and 51525 or ISO 6743/4. HPV 77 can also be used with phosphorous esters (HFDR), water-glycol /HFC) or water-oil (HFB) mixes, subject to our Technical Dept. approval.

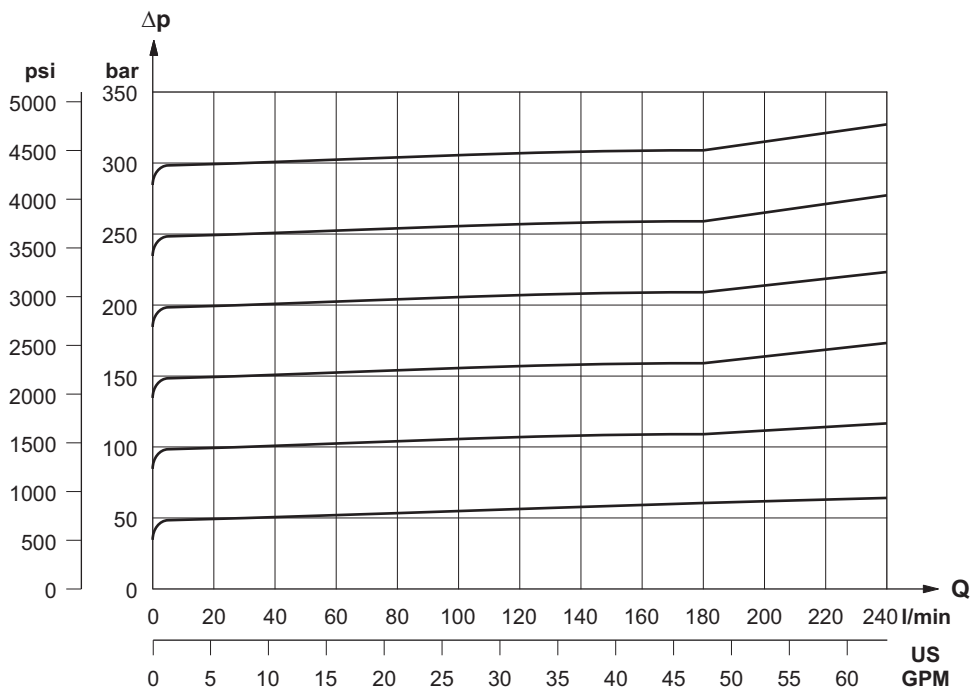
Hydraulic control - MHPH module			
Pilot pressure	Start	4.5 bar	65 psi
	End stroke	15 bar	218 psi
Max. pilot pressure		30 bar	436 psi

# Technical data

## Characteristic curves



Flow characteristics at A / B ports with pressure limitation on the same (section with pressure compensator)



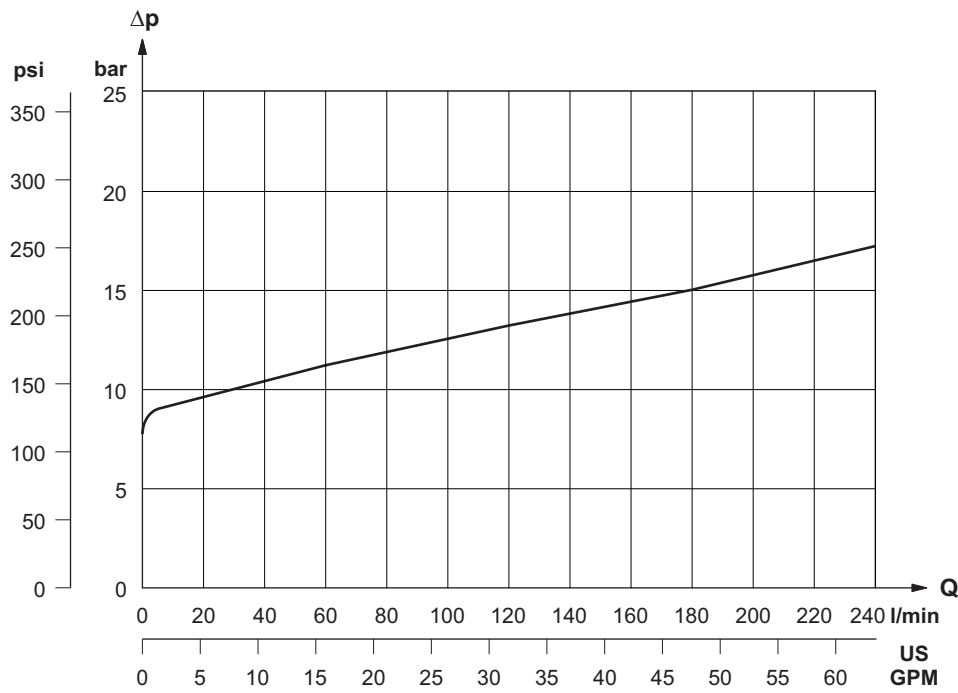
Characteristics of main pressure relief valve

Curves measured with oil viscosity of 25 mm<sup>2</sup>/s (cSt) at a temperature of 50 °C [122 °F]

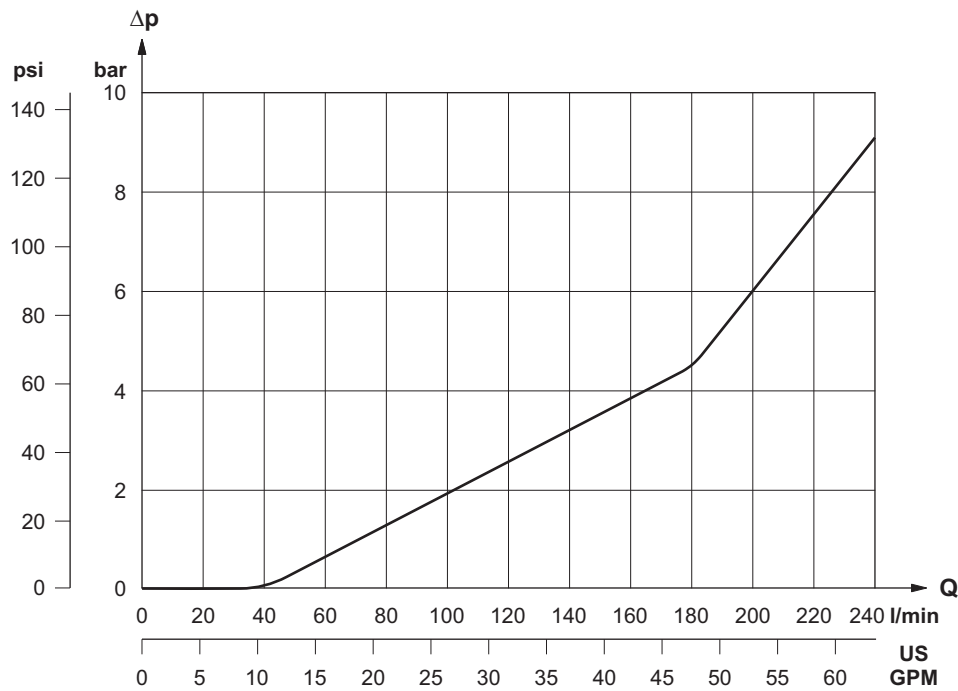
# Technical data

## Characteristic curves

HPV 77



Pressure drop on inlet section, open centre type, with spools in neutral position

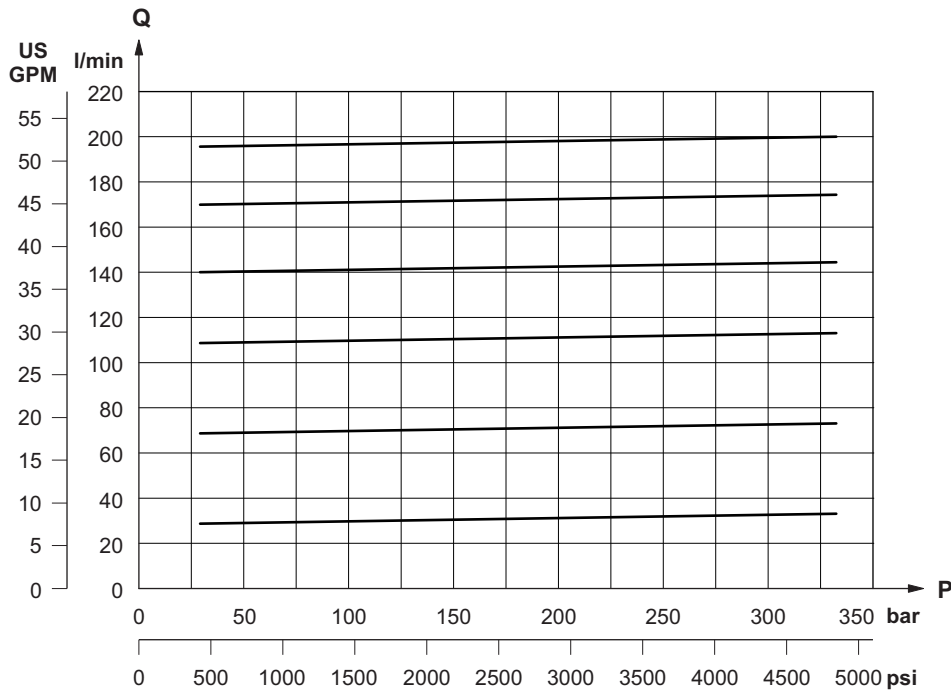


Pressure drop on inlet section with pump unloading valve and spools in neutral position (for open centre inlet sections only)

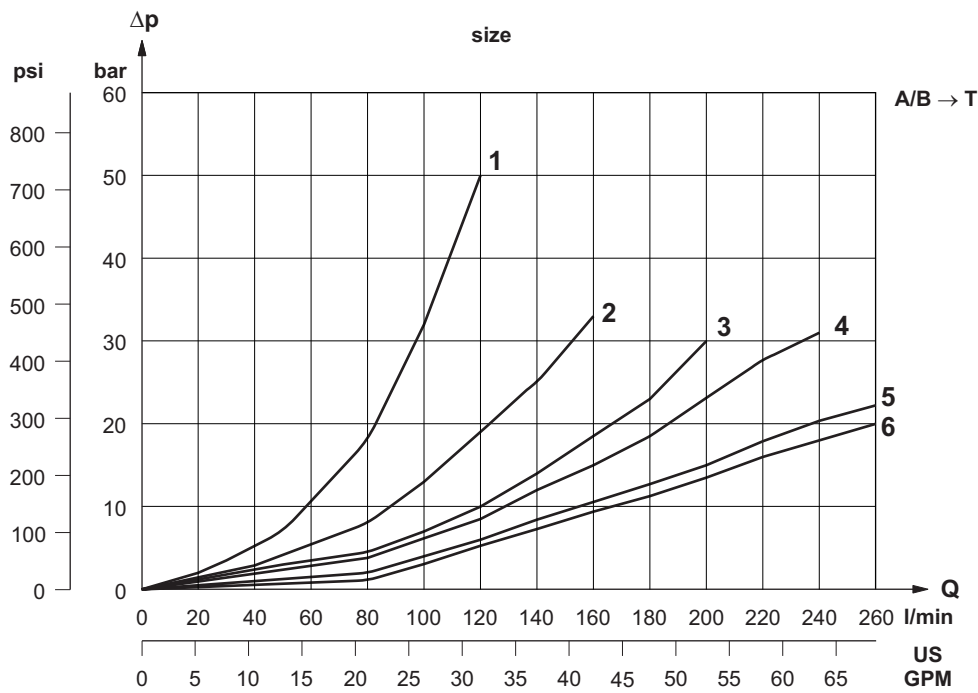
Curves measured with oil viscosity of 25 mm<sup>2</sup>/s (cSt) at a temperature of 50 °C [122 °F]

# Technical data

## Characteristic curves



Characteristics of baric compensation: flow independent from load



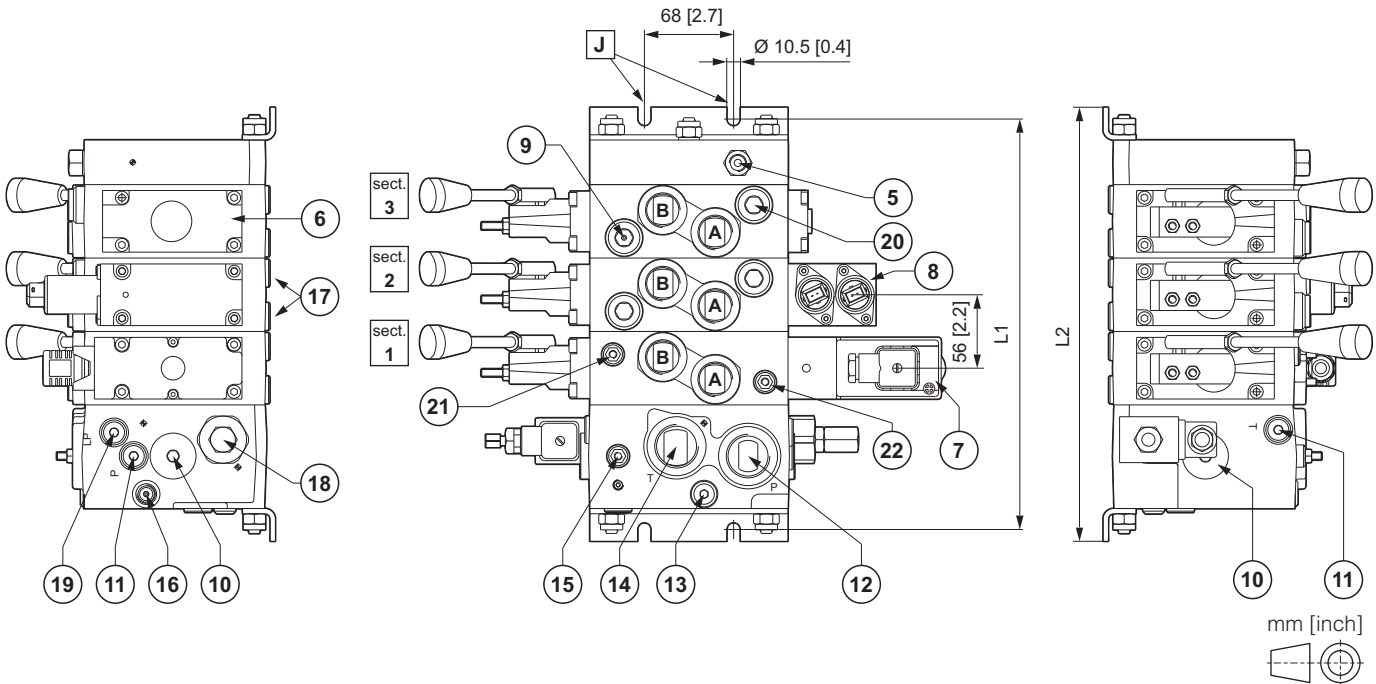
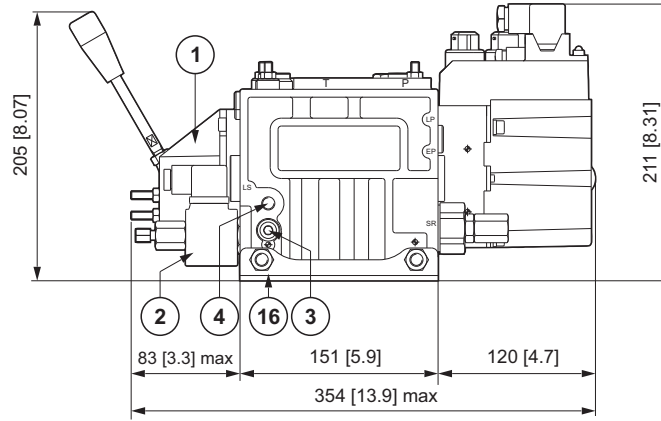
A/B  $\rightarrow$  T

$\Delta P$  figures with spool on complete deadlock and a or B in T

Curves measured with oil viscosity of 25 mm<sup>2</sup>/s (cSt) at a temperature of 50 °C [122 °F]

# Overall dimensions and hydraulic diagrams

HPV 77 overall dimensions  
with SINGLE inlet section  
(HSE)



- A/B Ports, G 3/4 BSPP or 1 1/16" - 12 UN - 2B (SAE 12)
- J Fixing means
- 1 Manual control, HCM
- 2 LS signal unloading solenoid valve
- 3 LS signal filter cartridge
- 4 LS port, G 1/4" BSPP or 7/16" - 20UNF - 2B (SAE 4)
- 5 Return line port for electrohydraulic modules, G 1/4" BSPP or 7/16" - 20UNF - 2B (SAE 4)
- 6 Manual control plate, HCP
- 7 Module for ON-OFF electrohydraulic control, MHOF
- 8 Module for current electrohydraulic control, MHPF
- 9 Port B anti-shock and anti-cavitation valve
- 10 Flow regulator plug
- 11 P, T pressure ports
- 12 Pump side port, G 1" BSPP or 1 5/16" - 12UN - 2B (SAE 16)
- 13 Low pressure line filter cartridge
- 14 Return line port, G 1" BSPP or 1 5/16" - 12UN - 2B (SAE 16)
- 15 Main pressure relief valve
- 16 Pilot line external feed port, 1 G 1/4" BSPP or 7/16" - 20UNF - 2B (SAE 4)
- 17 LSA - LSB pressure remote control port, G 1/4" BSPP or 7/16" - 20UNF - 2B (SAE 4)
- 18 HSER mechanical adjuster
- 19 Hydraulic manipulator feed port, G 1/4" BSPP or 7/16" - 20UNF - 2B (SAE 4)
- 20 Port A anti-shock and anti-cavitation valve
- 21 LSB pressure relief valve
- 22 LSA pressure relief valve

Working Sections	L1 mm [inch]	L2 mm [inch]
1	201 [7.91]	219 [8.62]
2	257 [10.12]	275 [10.83]
3	313 [12.32]	331 [13.03]
4	369 [14.53]	387 [15.24]
5	425 [16.73]	443 [17.44]
6	481 [18.94]	499 [19.65]
7	537 [21.14]	555 [21.85]
8	593 [23.35]	611 [24.06]
9	649 [25.55]	667 [26.26]
10	705 [27.76]	723 [28.46]

### Fixing instructions

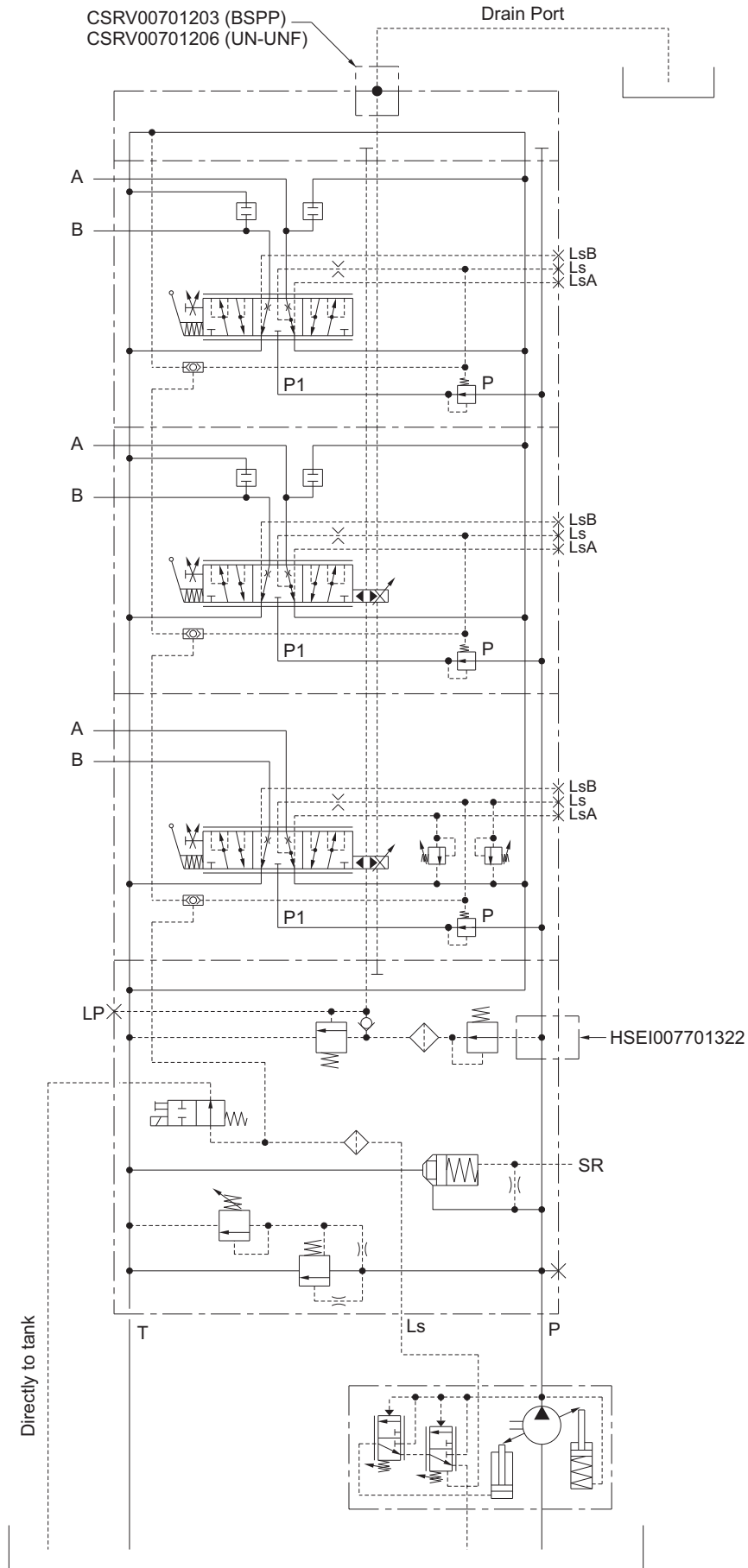
The distributor must be fixed by means (J) of the slots in the feet. We decline all responsibility in the case of malfunctioning or oil leakage caused by the wrong fixing of the distributor.

### Note:

See the order form, page C-28.

# Overall dimensions and hydraulic diagrams

## HPV 77 hydraulic diagram with SINGLE inlet section (HSE)

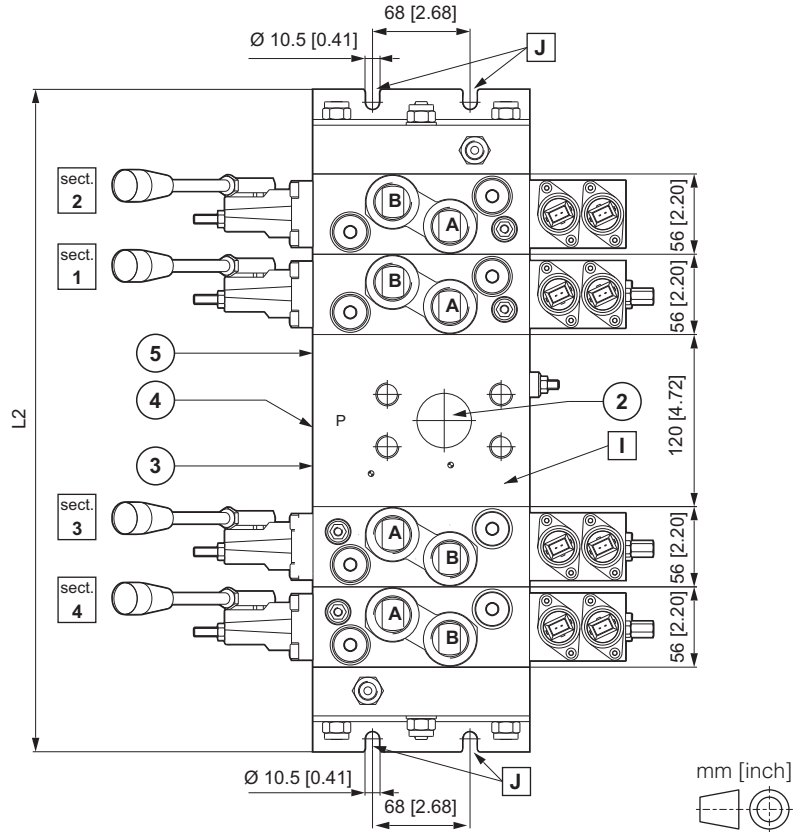
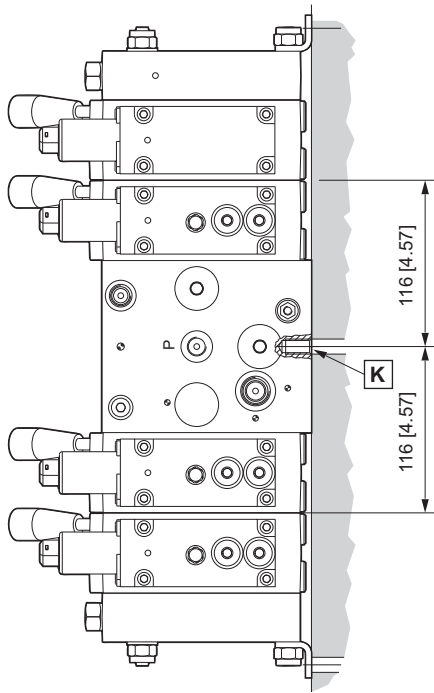
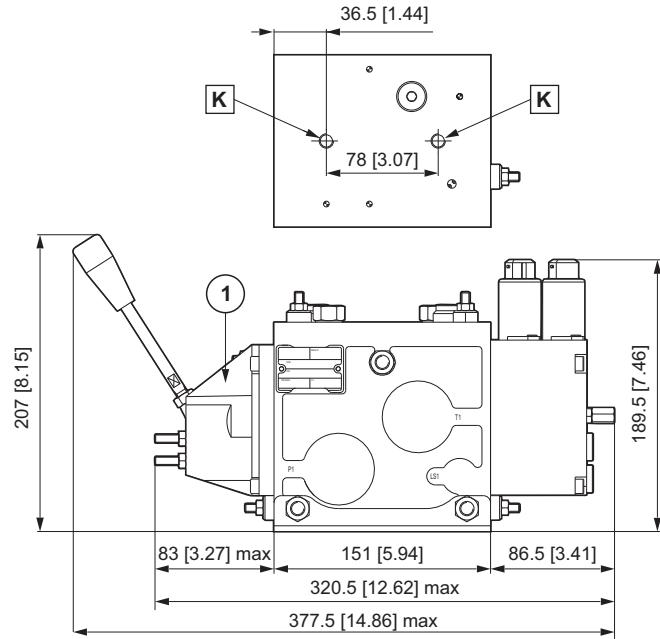


HPV 77

# Overall dimensions and hydraulic diagrams

HPV77 overall dimensions with MID inlet section (HFLS) and HPV77

Working Sections	L1 mm [inch]	L2 mm [inch]
2	332 [13.07]	350 [13.78]
3	388 [15.28]	406 [15.98]
4	444 [17.48]	462 [18.19]
5	500 [19.68]	518 [20.39]
6	556 [21.89]	574 [22.60]
7	612 [24.09]	630 [24.80]
8	668 [26.30]	686 [27.01]



- A/B Ports, G 3/4 BSPP or 1 1/16" - 12 UN - 2B (SAE 12)
- C Mid inlet section HFLS
- J Fixing means
- K Fixing holes M10
- 1 Manual control, HCM
- 2 Pump side port, 1" 1/2 SAE Flange 6000 psi
- 3 LS port, G 1/4" BSPP or 7/16" - 20UNF - 2B (SAE 4)
- 4 Return line port, 1" 1/2 SAE Flange 3000 psi
- 5 LP port, G 1/4" BSPP or 7/16" - 20UNF - 2B (SAE 4)

### Fixing instructions

The distributor must be fixed by means of the slots (J) in the feet and by means of the two holes M10-6H (K) in the mid inlet section HFLS (I). We decline all responsibility in the case of malfunctioning or oil leaks caused by wrong fixing of the distributor.

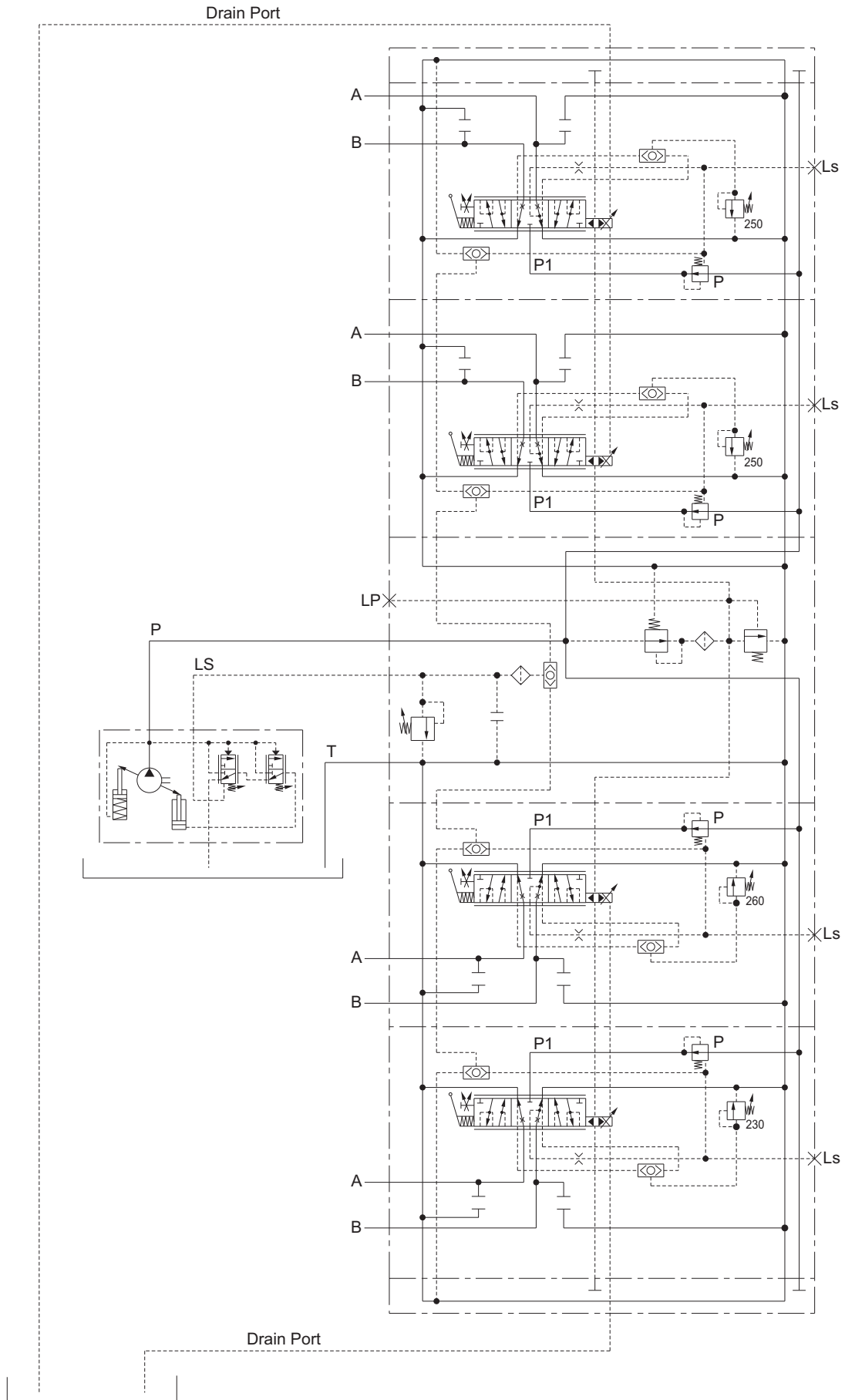
### Note:

On the working sections no. 3, 4 (as in the above example), the A - B port positions are reversed (see also the order form, page C-29).



# Overall dimensions and hydraulic diagrams

HPV 77 hydraulic diagram with MID inlet section (HFLS) and HPV77



HPV 77

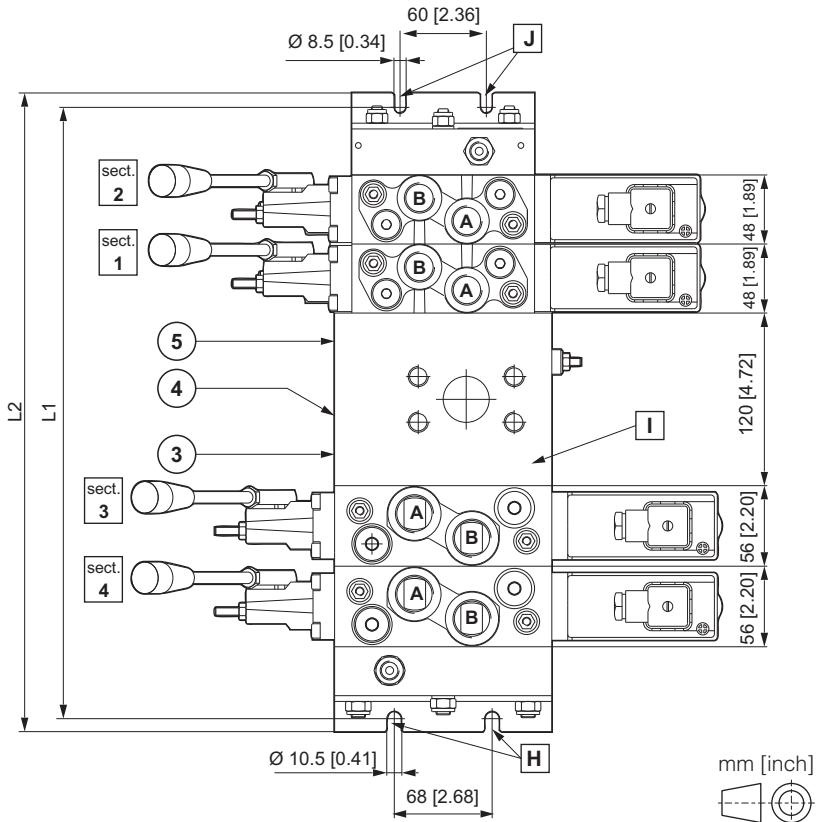
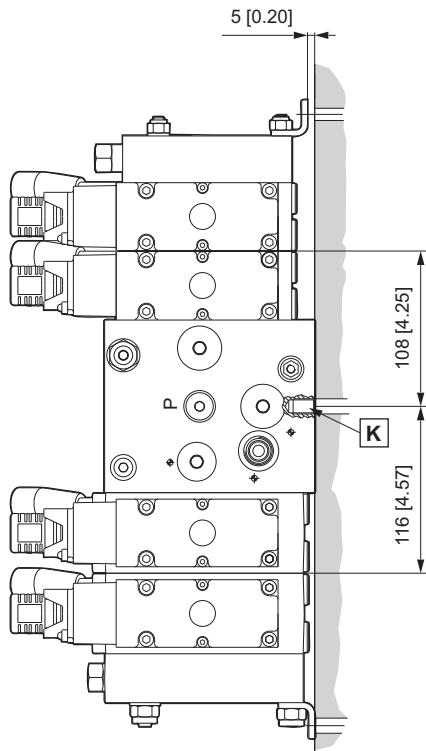
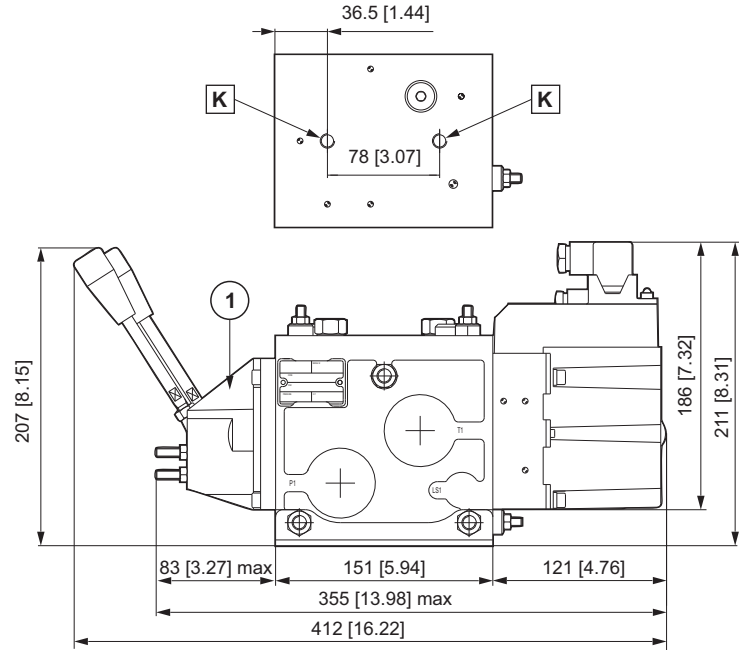
# Overall dimensions and hydraulic diagrams

HPV77 overall dimensions with MID inlet section (HFLS) and HPV41

L2 mm [inch]	Working Sections HPV41							
	1	2	3	4	5	6	7	
Working Sections HPV77	1	340 [13.39]	388 [15.28]	436 [17.17]	484 [19.06]	532 [20.94]	580 [22.83]	628 [24.72]
	2	396 [15.59]	444 [17.48]	492 [19.37]	540 [21.26]	588 [23.15]	636 [25.04]	684 [26.93]
	3	452 [17.8]	500 [19.68]	548 [21.57]	596 [23.46]	644 [25.35]	692 [27.24]	740 [29.13]
	4	508 [20]	556 [21.89]	604 [23.78]	652 [25.67]	700 [27.56]	748 [29.45]	796 [31.34]
	5	564 [22.2]	612 [24.09]	660 [25.98]	708 [27.87]	756 [29.76]	804 [31.65]	852 [33.54]
	6	620 [24.41]	668 [26.3]	716 [28.19]	764 [30.08]	812 [31.97]	860 [33.86]	908 [35.75]
	7	676 [26.61]	724 [28.5]	772 [30.39]	820 [32.28]	868 [34.17]	916 [36.06]	964 [37.95]

L1 = (L2-19 mm)

L1= (L2-0.75 inches)



A/B Side HPV77: Ports, G 3/4 BSPP or 1 1/16" - 12 UN - 2B (SAE 12)

Side HPV41: Ports, G 1/2 BSPP or 7/8" - 14 UNF - 2B (SAE 10)

I Mid inlet section HFLS

J Fixing means

K Fixing holes M10

1 Manual control, HCM

2 Pump side port, 1" 1/4 SAE Flange 6000 psi

3 LS port, G 1/4" BSPP or 7/16" - 20UNF - 2B (SAE 4)

4 Return line port, 1" 1/4 SAE Flange 3000 psi

5 LP port, G 1/4" BSPP or 7/16" - 20UNF - 2B (SAE 4)

## Fixing instructions

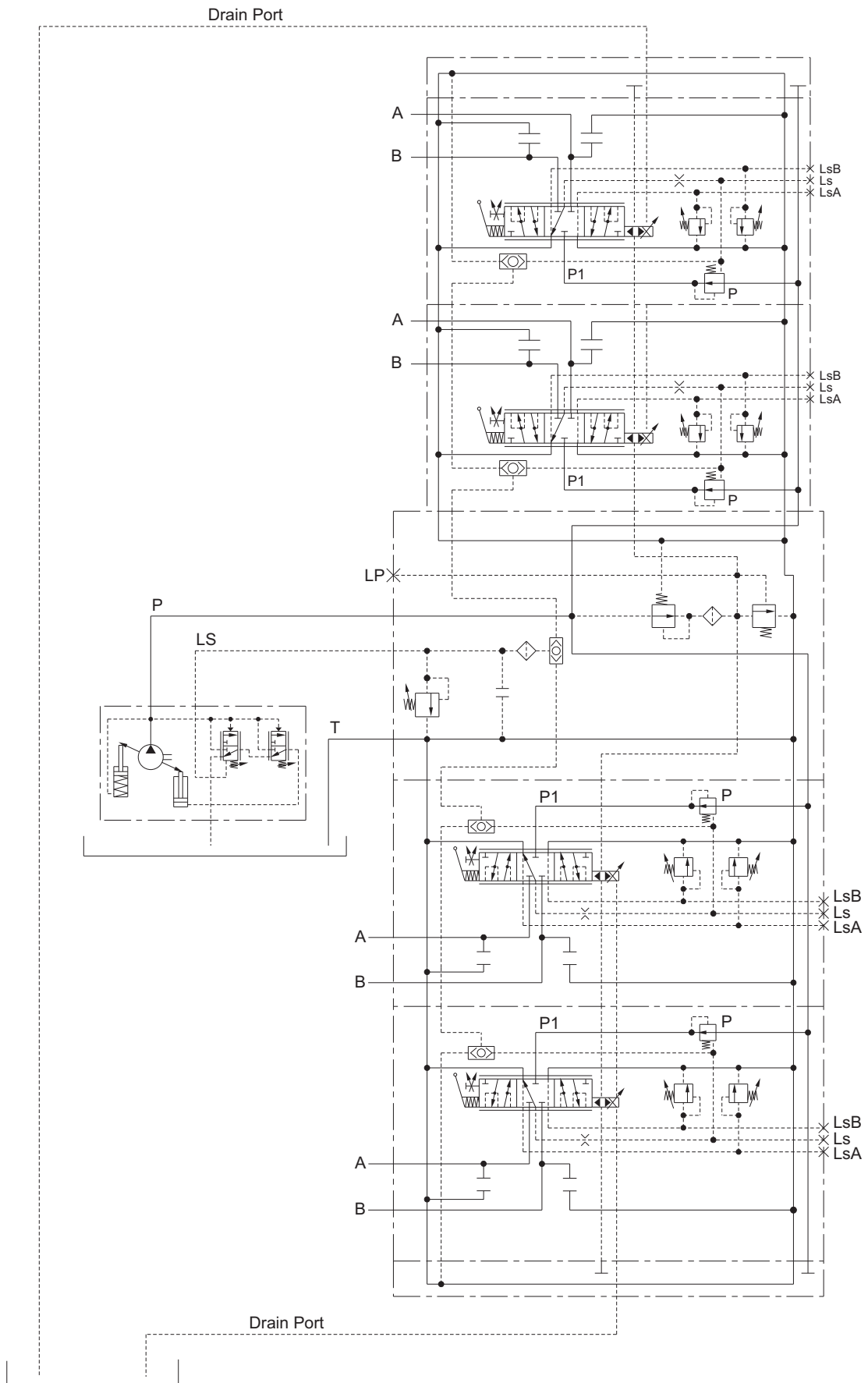
The distributor must be fixed by means of the slots (J) in the feet and by means of the two holes M10-6H (K) in the mid inlet section HFLS (I). We decline all responsibility in the case of malfunctioning or oil leaks caused by wrong fixing of the distributor.

## Note:

On the working sections no. 3, 4 (as in the above example), the A - B port positions are reversed (see also the order form, page C-29).

# Overall dimensions and hydraulic diagrams

HPV 77 hydraulic diagram with MID inlet section (HFLS) and HPV41

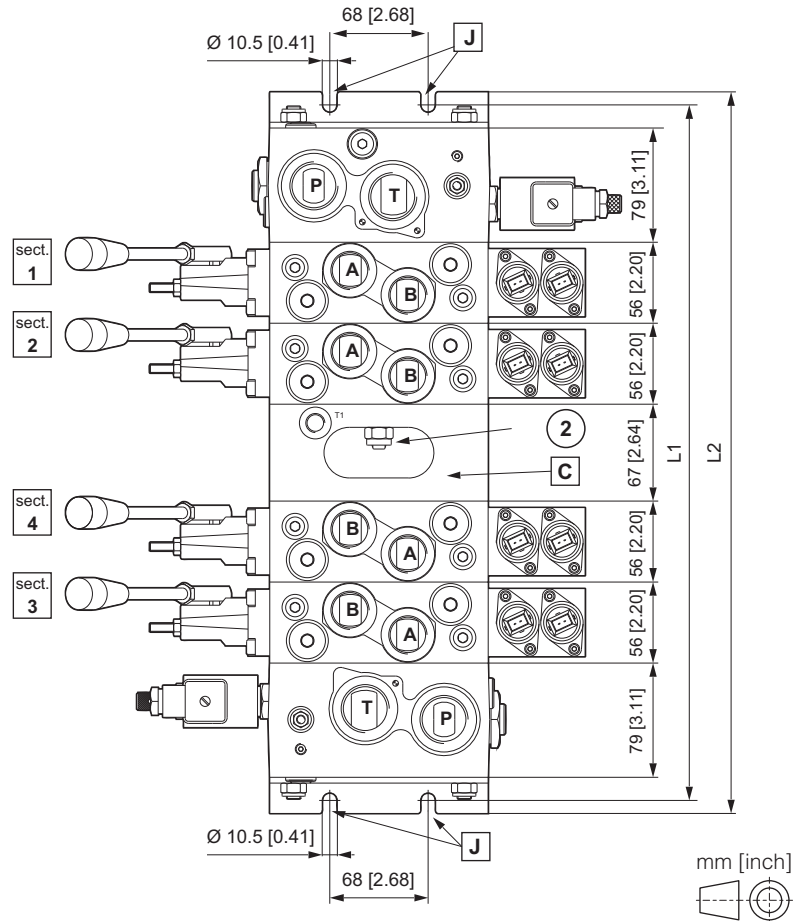
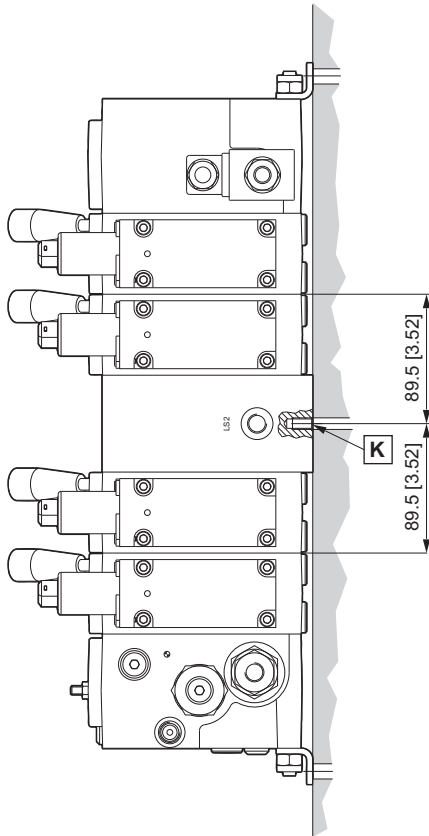
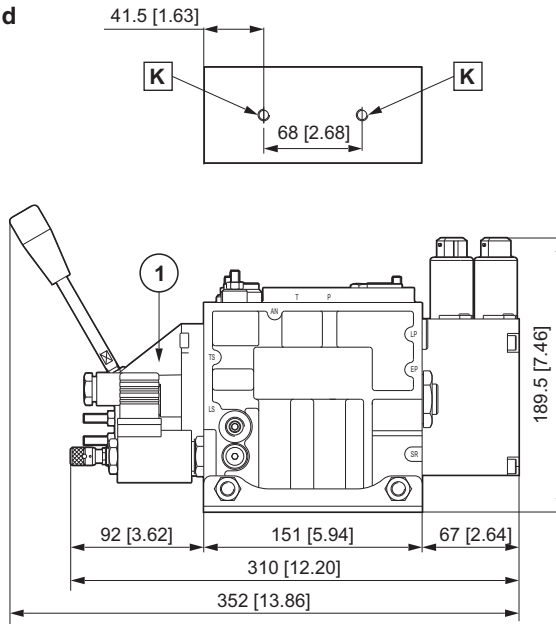


HPV 77

# Overall dimensions and hydraulic diagrams

HPV 77 overall dimensions with 2 inlet sections (HSE) and mid end section (HPFS)

Working Sections	L1 mm [inch]	L2 mm [inch]
2	369 [14.53]	387 [15.24]
3	425 [16.73]	443 [17.44]
4	481 [18.94]	499 [19.65]
5	537 [21.14]	555 [21.85]
6	593 [23.35]	611 [24.06]
7	649 [25.55]	667 [26.26]
8	705 [27.76]	723 [28.46]



- A/B Ports, G 3/4 BSPP or 1 1/16" - 12 UN - 2B (SAE 12)
- C Mid inlet section HPFS
- J Fixing means
- K Fixing holes M10
- P Pump side port, G 1" BSPP or 1 5/16" - 12UN - 2B (SAE 16)
- T Return line port, G 1" BSPP or 1 5/16" - 12UN - 2B (SAE 16)
- 1 Manual control, HCM

## Fixing instructions

The distributor must be fixed by means of the slots (J) in the feet and by means of the two holes M10-6H (K) in the mid end section HPFS (C). We decline all responsibility in the case of malfunctioning or oil leaks caused by wrong fixing of the distributor.

## Note:

On the working sections no. 1, 2 (as in the above example), the A - B port positions are reversed (see also the order form, page C-30).

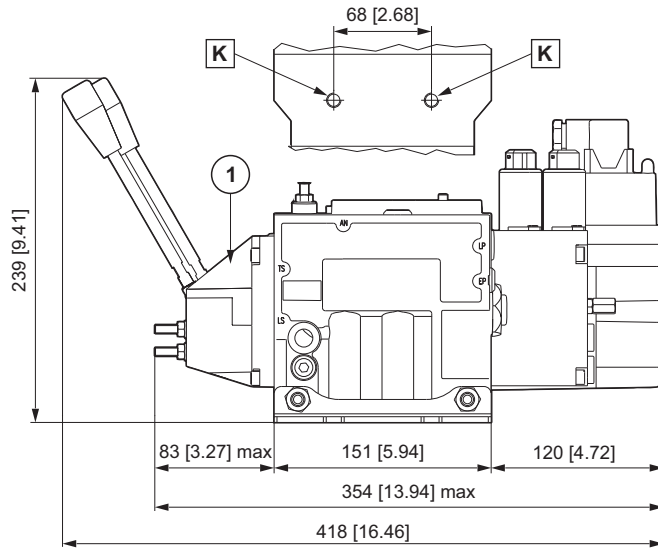


# Overall dimensions and hydraulic diagrams

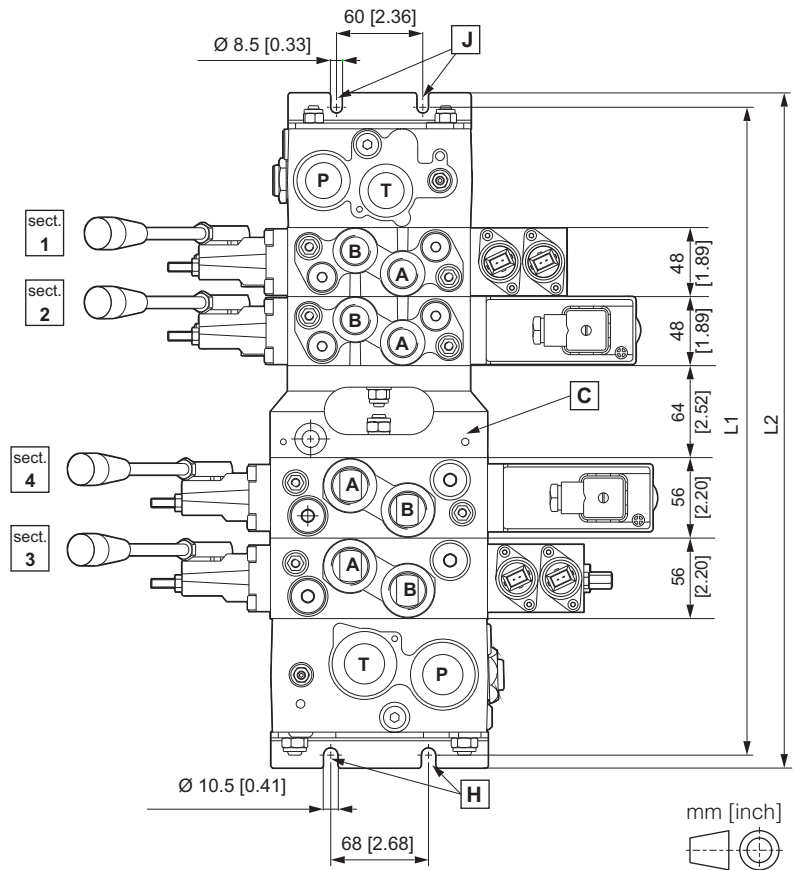
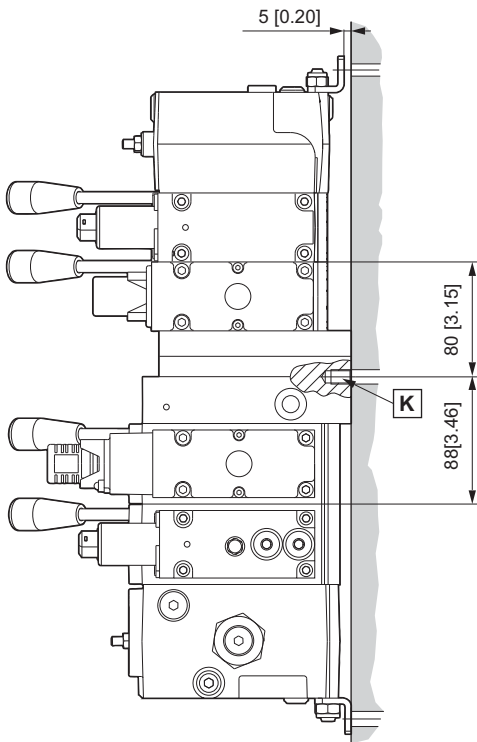
HPV 77 overall dimensions with MID END section (HPFS) and HPV 41 distributor

L2 mm [inch]	Working Sections HPV41						
	1	2	3	4	5	6	7
1	367 [14.45]	415 [16.34]	463 [18.23]	511 [20.12]	559 [22.01]	607 [23.9]	655 [25.79]
2	423 [16.65]	471 [18.54]	519 [20.43]	567 [22.32]	615 [24.21]	663 [26.1]	711 [27.99]
3	479 [18.86]	527 [20.75]	575 [22.64]	623 [24.53]	671 [26.42]	719 [28.31]	767 [30.20]
4	535 [21.06]	583 [22.95]	631 [24.84]	679 [26.73]	727 [28.62]	775 [30.51]	823 [32.40]
5	591 [23.27]	639 [25.16]	687 [27.05]	735 [28.94]	783 [30.83]	831 [32.72]	879 [34.61]
6	647 [25.47]	695 [27.36]	743 [29.25]	791 [31.14]	839 [33.03]	887 [34.92]	935 [36.81]
7	703 [27.68]	751 [29.57]	799 [31.46]	847 [33.35]	895 [35.24]	943 [37.13]	991 [39.02]

L1 = (L2-19 mm) L1= (L2-0.75 inches)



HPV 77



- A/B side HPV77: Ports, G 3/4 BSPP or 1 1/16" - 12 UN - 2B (SAE 12)
- side HPV41: Ports, G 1/2 BSPP or 7/8" - 14 UNF - 2B (SAE 10)
- P/T pump and return connections
- side HPV77: G 1" BSPP or 1 5/16" - 12UN - 2B (SAE 16)
- side HPV41: G 3/4" BSPP or 1 1/16" - 12UN - 2B (SAE 12)
- C Mid inlet section HPFS
- J Fixing means
- K Fixing holes M10
- 1 Manual control, HCM

## Fixing instructions

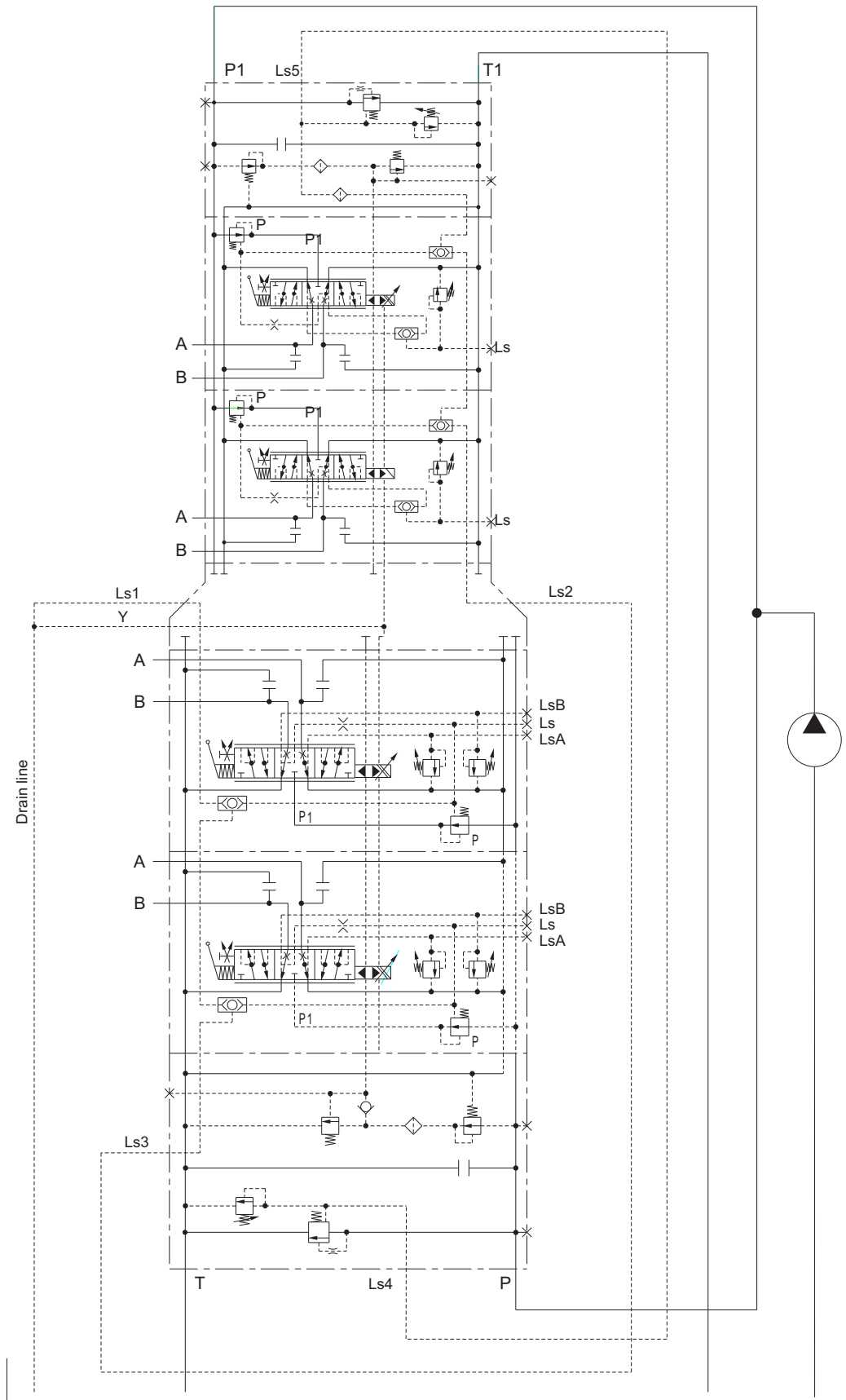
The distributor must be fixed by means of the slots (J) in the feet and by means of the two holes M10-6H (K) in the mid end section HPFS (C). We decline all responsibility in the case of malfunctioning or oil leaks caused by wrong fixing of the distributor.

## Note:

On the working sections no. 1, 2 (as in the above example), the A - B port positions are reversed (see also the order form, page C-30).

# Overall dimensions and hydraulic diagrams

HPV 77 hydraulic diagram with MID END section (HPFS) and HPV 41 distributor



HPV 77

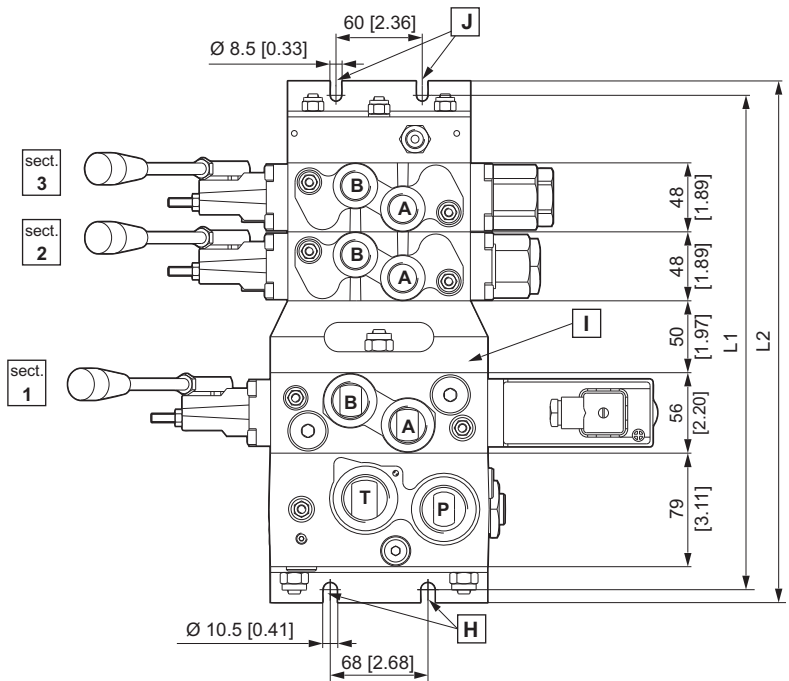
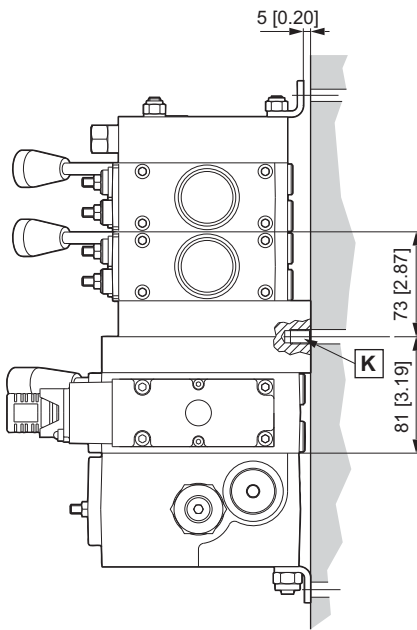
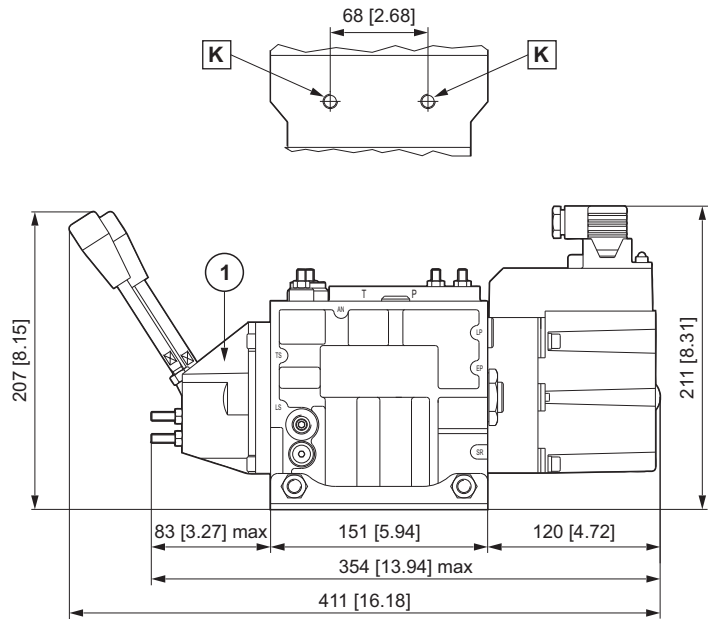
# Overall dimensions and hydraulic diagrams

HPV 77 overall dimensions with INTERFACE (HSIF)  
for HPV 41 distributor

Working Sections HPV77	Working Sections HPV41						
	1	2	3	4	5	6	7
1	315 [12.40]	363 [14.29]	411 [16.18]	459 [18.07]	507 [19.96]	555 [21.85]	603 [23.74]
2	371 [14.61]	419 [16.50]	467 [18.39]	515 [20.28]	563 [22.17]	611 [24.06]	659 [25.94]
3	427 [16.81]	475 [18.70]	523 [20.59]	571 [22.48]	619 [24.37]	667 [26.26]	715 [28.15]
4	483 [19.02]	531 [20.91]	579 [22.80]	627 [24.68]	675 [26.57]	723 [28.46]	771 [30.35]
5	539 [21.22]	587 [23.11]	635 [25.00]	683 [26.89]	731 [28.78]	779 [30.67]	827 [32.56]
6	595 [23.43]	643 [25.31]	691 [27.20]	739 [29.09]	787 [30.98]	835 [32.87]	883 [34.76]
7	651 [25.63]	699 [27.52]	747 [29.41]	795 [31.30]	843 [33.19]	891 [35.08]	939 [36.97]

L1 = (L2-19 mm)

L1 = (L2-0.75 inches)



mm [inch]

- A/B side HPV77: Ports, G 3/4 BSPP or 1 1/16" - 12 UN - 2B (SAE 12)
- side HPV41: Ports, G 1/2 BSPP or 7/8" - 14 UNF - 2B (SAE 10)
- I Interface HSIF
- J Fixing means
- K Fixing holes M10
- P Pump side port, G 1" BSPP or 1 5/16" - 12UN - 2B (SAE 16)
- T Return line port, G 1" BSPP or 1 5/16" - 12UN - 2B (SAE 16)
- 1 Manual control, HCM

## Fixing instructions

The distributor must be fixed by means of the slots (J) in the feet and by means of the two holes M8-6H (K) in the HSIF interface (I). We decline all responsibility in the case of malfunctioning or oil leaks caused by wrong fixing of the distributor.

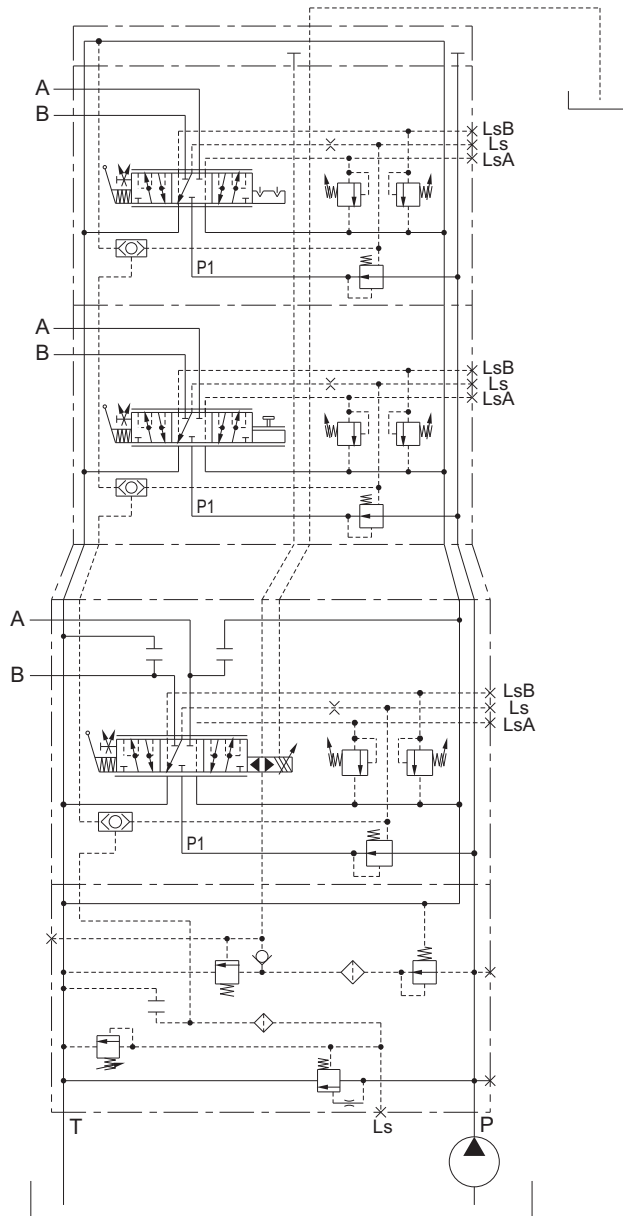
## Note:

See the order form, page C-28.



# Overall dimensions and hydraulic diagrams

HPV 77 hydraulic diagram with INTERFACE (HSIF) for HPV 41 distributor



HPV 77



**BREVINI<sup>®</sup>**

*Motion Systems*



---

**HPV77  
Composition  
form**

**HPV77  
Composition  
form**





# Order form

This order form is the only one ensuring that the product will be defined and ordered correctly without any possible mistakes. It is divided into sectors of pertinence, from 0 to 24, within which the code of the required module must be inserted.

It is also necessary to indicate:

- the setting in bar of the pressure relief valve (sector 0, inlet section);
- when requested, the setting in bar of the LsA/LsB pressure relief valves (sectors 1 to 10, HEM spool elements);

Dana suggests to indicate the pump type and the flow that feeds the proportional valve, so it is possible to test it in working conditions.

The valve is always assembled as indicated in the module assembly selection table (see page C-25), i.e. the HCM module for the manual control inserted in sector of pertinence 18, and the rear modules HCP, HCPD, MHPH, MHPE, MHPO, MHOF etc. inserted into sectors of pertinence 20, 21.

If the opposite assembly is required, just select from menu the desired assembly mode: Right / Left HPV feed, HPV feed with HFLS / HPFS module.

## Combination table controls

Controls	HCM	HCF	MSPF	MHOXB	MHOXBH	MHPXB	MHPXBH
HCPD HCN	•	—	—	—	—	—	—
MHOXA	•	—	—	•	—	—	—
MHOXAH	•	—	—	—	•	—	—
MHPXA	•	—	—	—	—	•	—
MHPXAH	•	—	—	—	—	—	•
MSPF	•	•	•	—	—	—	—
MHPF-HCK	•	—	—	—	—	—	—
MHOF	•	—	—	—	—	—	—
MHPOD	•	—	—	—	—	—	—
MHPED	•	—	—	—	—	—	—
MHPEPD	•	—	—	—	—	—	—
MHOFX MHPCX	•	—	—	—	—	—	—
MHPODX MHPEDX	•	—	—	—	—	—	—
HCP	•	—	—	—	—	—	—
HCPA	•	—	—	—	—	—	—
MHPH	•	•	—	—	—	—	—
HCF	—	—	•	•	•	•	•

• = combinable    — = not combinable

ATEX controls. For the ATEX versions you need to use the cast iron controls.

# Order form

With SINGLE inlet section (HSE)

Controlled function	B Port		Field	11	23	A Port		Controlled function				
				12								
	18	10	LsA LsB	bar	16		18					
	19								17	19		
	20										21	20
	21			22								
18	9	LsA LsB	bar	16		18						
19							17	19				
20									21	20		
21			22								21	
18	8	LsA LsB	bar	16		18						
19							17	19				
20									21	20		
21			22								21	
18	7	LsA LsB	bar	16		18						
19							17	19				
20									21	20		
21			22								21	
18	6	LsA LsB	bar	16		18						
19							17	19				
20									21	20		
21			22								21	
18	5	LsA LsB	bar	16		18						
19							17	19				
20									21	20		
21			22								21	
18	4	LsA LsB	bar	16		18						
19							17	19				
20									21	20		
21			22								21	
18	3	LsA LsB	bar	16		18						
19							17	19				
20									21	20		
21			22								21	
18	2	LsA LsB	bar	16		18						
19							17	19				
20									21	20		
21			22								21	
18	1	LsA LsB	bar	16		18						
19							17	19				
20									21	20		
21			22								21	
Note	0		P		13	Note						
			bar		14							
					15							

HPV 77

Right HPV feed (Standard)   
 Left HPV feed



**MAIN INFORMATION**

Pump type  Fixed displ.  LS control  Constant pressure

Pump flow, l/1' 000 liter / min

Type of threads  UNF  BSPP

Reference tension  12 V  24 V  Not required

Electric devices  Standard  Atex PWM  ATEX Tens

Customer:	
Item description:	
Compilation form date:	
Our valve internal code	
Customer reference code	
Compilation form modification index	
Order No.:	Order quantity
Order Date:	Net price EUR
Delivery date:	PRICE LIST 2018 - vers. BSPP ( GAS )
Order ack. N°:	Quotazione n° :

This composition form shall not be deemed as a Manufacturer's recommendation. We decline any responsibilities.

NOTE: For working sections numbering, see page C-12.

# Order form

With MID inlet section (HFLS)

Controlled function	B Port	Field	11	23	A Port	Controlled function	
			12				
	18	6	bar	16	18		
	19		LsA			19	
	20		LsB		17	20	
	21		22			21	
	18	5	bar	16	18		
	19		LsA			19	
	20		LsB		17	20	
	21		22			21	
	18	4	bar	16	18		
	19		LsA			19	
	20		LsB		17	20	
	21		22			21	
	18	3	bar	16	18		
	19		LsA			19	
	20		LsB		17	20	
	21		22			21	
	18	2	bar	16	18		
	19		LsA			19	
	20		LsB		17	20	
	21		22			21	
	18	1	bar	16	18		
	19		LsA			19	
	20		LsB		17	20	
	21		22			21	
HFLS	A Port	0	P	13	B Port	HFLS	
			bar	14			
			bar	15			
	18	7	bar	16	18		
	19		LsA			19	
	20		LsB		17	20	
	21		22			21	
	18	8	bar	16	18		
	19		LsA			19	
	20		LsB		17	20	
	21		22			21	
	18	9	bar	16	18		
	19		LsA			19	
	20		LsB		17	20	
	21		22			21	
	18	10	bar	16	18		
	19		LsA			19	
	20		LsB		17	20	
	21		22			21	
	18	11	bar	16	18		
	19		LsA			19	
	20		LsB		17	20	
	21		22			21	
	18	12	bar	16	18		
	19		LsA			19	
	20		LsB		17	20	
	21		22			21	
Note			11	23	Note		
			12				

HPV 77

HPV feed with HFLS module  
 HPV feed with HPFS module



**MAIN INFORMATION**

Pump type:  Fixed displ.  LS control  Constant pressure  
 Pump flow, l/1': 000 liter / min  
 Type of threads:  UNF  BSPP  
 Reference tension:  12 V  24 V  Not required  
 Electric devices:  Standard  Atex PWM  ATEX Tens

Customer:	
Item description:	
Compilation form date:	
Our valve internal code	
Customer reference code	
Compilation form modification index	
Order No.:	Order quantity
Order Date:	Net price EUR
Delivery date:	PRICE LIST 2018 - vers. BSPP ( GAS )
Order ack. N°:	Quotazione n° :

This composition form shall not be deemed as a Manufacturer's recommendation. We decline any responsibilities.

NOTE: For working sections numbering, see page C-14.

# Order form

With 2 inlet sections (HSE) and mid end section (HPFS)

Controlled function	A Port		0			13	B Port	Controlled function
					12	14		
	18		1			16		18
	19			LsA		17		19
	20			LsB				20
	21				22			21
	18		2			16		18
	19			LsA		17		19
	20			LsB				20
	21				22			21
	18		3			16		18
	19			LsA		17		19
	20			LsB				20
	21				22			21
	18		4			16		18
	19			LsA		17		19
	20			LsB				20
	21				22			21
	18		5			16		18
	19			LsA		17		19
	20			LsB				20
	21				22			21
	18		6			16		18
	19			LsA		17		19
	20			LsB				20
	21				22			21
HPFS	B Port		Field		11		A Port	HPFS
	18		12			16		18
	19			LsA		17		19
	20			LsB				20
	21				22			21
	18		11			16		18
	19			LsA		17		19
	20			LsB				20
	21				22			21
	18		10			16		18
	19			LsA		17		19
	20			LsB				20
	21				22			21
	18		9			16		18
	19			LsA		17		19
	20			LsB				20
	21				22			21
	18		8			16		18
	19			LsA		17		19
	20			LsB				20
	21				22			21
	18		7			16		18
	19			LsA		17		19
	20			LsB				20
	21				22			21
Note			0			13	Note	
					12	14		
						15		

HPV 77

HPV feed with HPFS module

HPV feed with HFLS module



**MAIN INFORMATION**

- Pump type  Fixed displ.  LS control  Constant pressure
- Pump flow, l/1' 000 liter / min
- Type of threads  UNF  BSPP
- Reference tension  12 V  24 V  Not required
- Electric devices  Standard  Atex PWM  ATEX Terts

Customer:	
Item description:	
Compilation form date:	
Our valve internal code	
Customer reference code	
Compilation form modification index	
Order No.:	Order quantity
Order Date:	Net price EUR
Delivery date:	PRICE LIST 2018 - vers. BSPP ( GAS )
Order ack. N°:	Quotazione n° :

This composition form shall not be deemed as a Manufacturer's recommendation. We decline any responsibilities.

NOTE: For working sections numbering, see page C-20.



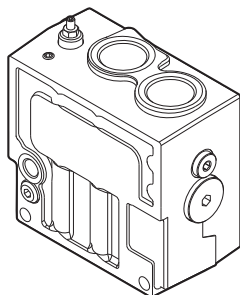
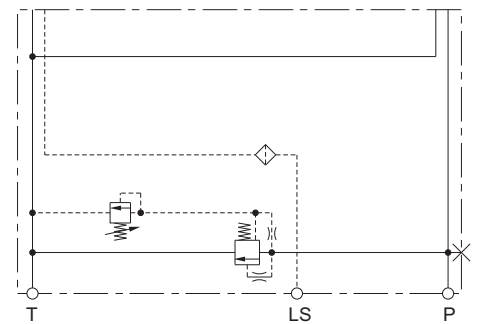
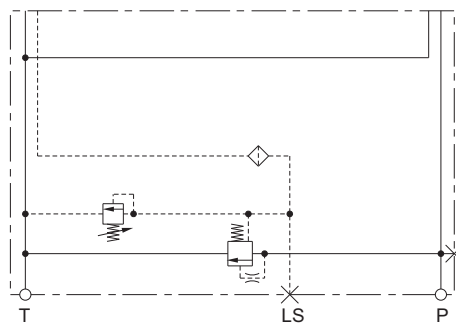
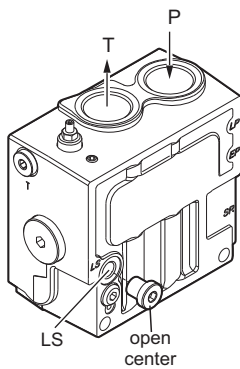


### Features

- Hydraulic features: see page C-8.
- Connections: P, T: G 1" BSPP or 1 5/16" - 12UN - 2B.
- Connessione Ls: 1/4" BSPP or 7/16" - 20UNF-2B.
- Cast iron body.

HPV 77

## HSE for purely mechanically activated valves



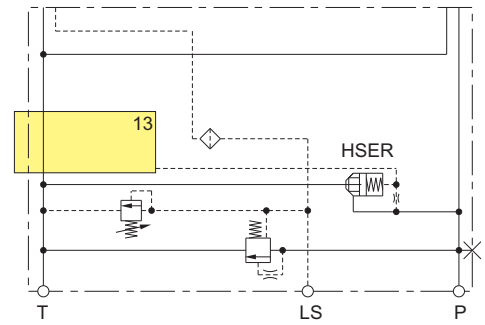
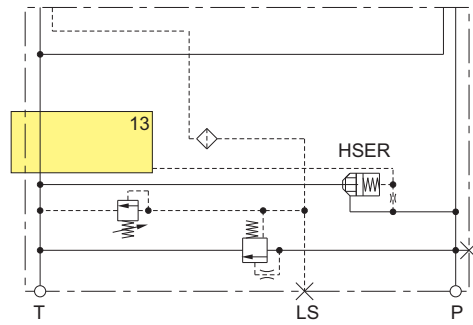
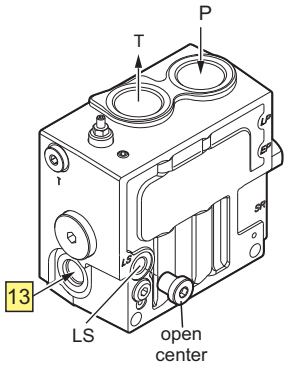
**Open center circuit for fixed displacement pumps**

Code	
BSPP	UN - UNF
HSE0007701205	HSE0007701210

**Closed center circuit for load sensing pumps**

Code	
BSPP	UN - UNF
HSE0007701255	HSE0007701260

For purely mechanically activated valves.  
HSEr pump unloading valve. Prearranged for CRP04HP, HSET, HSEA.

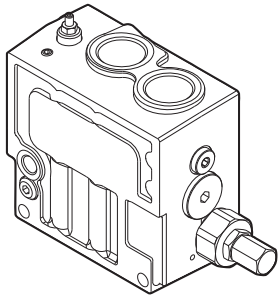


Open center circuit for fixed displacement pumps

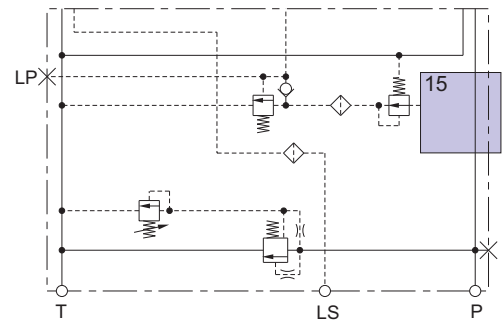
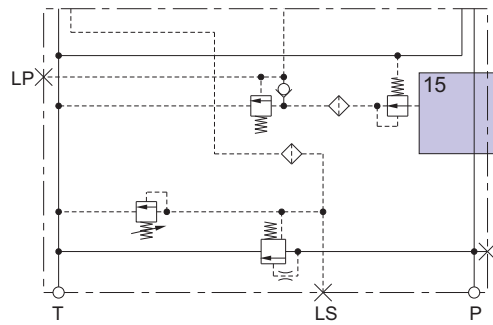
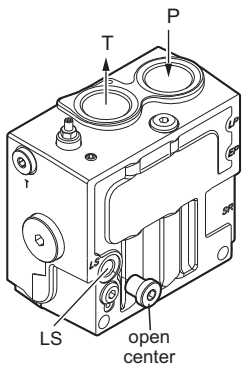
Code	
BSPP	UN - UNF
HSE0007701213	HSE0007701214

Closed center circuit for load sensing pumps

Code	
BSPP	UN - UNF
HSE0007701223	HSE0007701224



For electrically activated valves. With pilot oil supply Lp.



Open center circuit for fixed displacement pumps

Code		LP(*)	
BSPP	UN - UNF	bar	psi
HSE0007701225	HSE0007701230	22	319
HSE0007701286	HSE0007701288	30	435
HSE0007701287	HSE0007701289	36	522

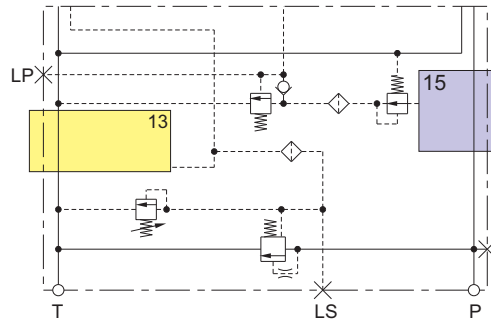
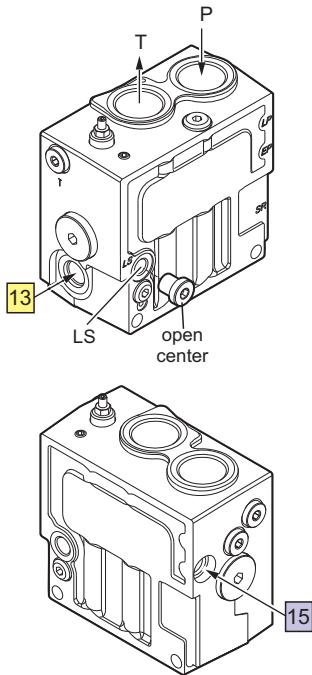
Closed center circuit for load sensing pumps

Code		LP(*)	
BSPP	UN - UNF	bar	psi
HSE0007701265	HSE0007701270	22	319
HSE0007701306	HSE0007701330	30	435
HSE0007701307	HSE0007701331	36	522

13 15 Seats, see accessories tables from page C-40.

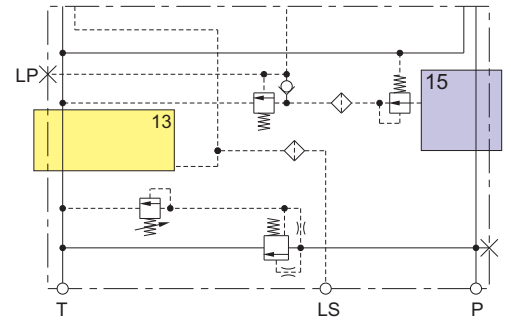
(\*) LP = Pilot pressure oil supply. If not specified 22 bar [319 psi]

For electrically activated valves. With pilot oil supply.  
Prearranged for valves CRP04HP, HSET, HSEA



Open center circuit for fixed displacement pumps

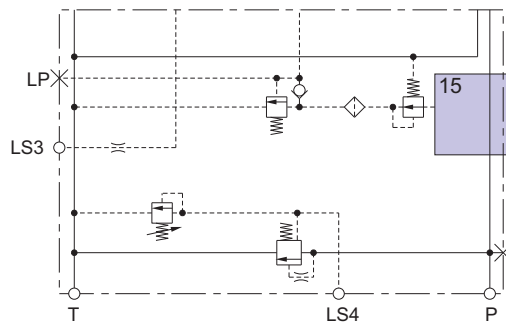
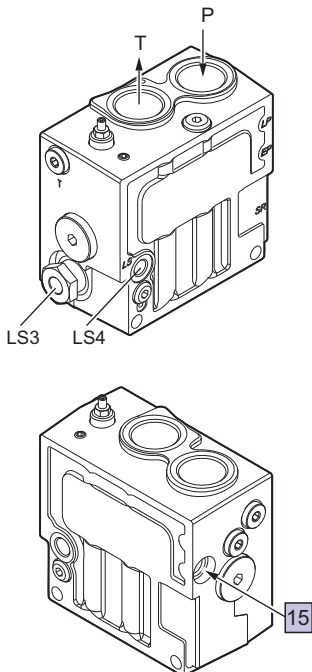
Code		LP(*)	
BSPP	UN - UNF	bar	psi
HSE0007701235	HSE0007701240	22	319
HSE0007701290	HSE0007701296	30	435
HSE0007701291	HSE0007701297	36	522



Closed center circuit for load sensing pumps

Code		LP(*)	
BSPP	UN - UNF	bar	psi
HSE0007701275	HSE0007701280	22	319
HSE0007701332	HSE0007701334	30	435
HSE0007701333	HSE0007701335	36	522

For electrically activated valves.  
With pilot oil supply. For system with 2 inlet sections supplied by 1 pump only.



Open center circuit for fixed displacement pumps

Code		LP(*)	
BSPP	UN - UNF	bar	psi
HSE0007701237	*	22	319
HSE0007701294	*	30	435
HSE0007701295	*	36	522

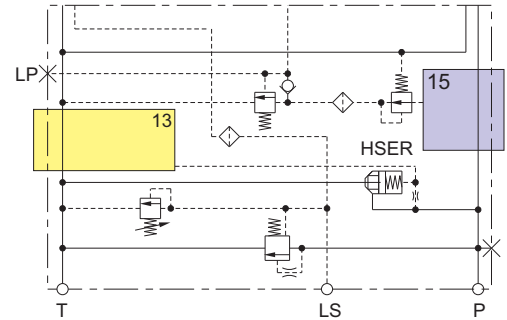
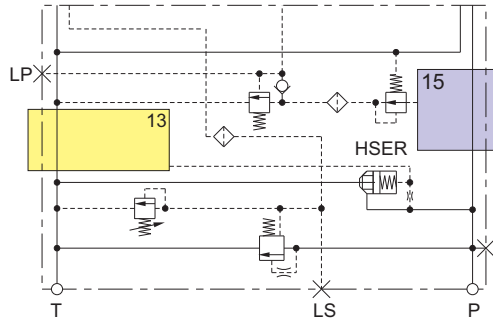
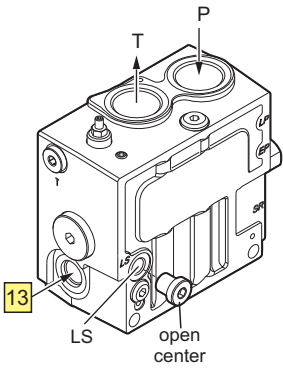
\* available on request

13 15 Seats, see accessories tables from page C-40.

(\*) LP = Pilot pressure oil supply. If not specified 22 bar [319 psi]

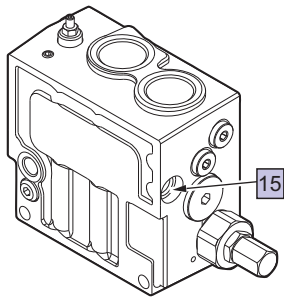
HPV 77

For electrically activated valves. With pilot oil supply.  
HSE pump unloading valve. Prearranged for CRP04HP, HSET, HSEA.



Open center circuit for fixed displacement pumps

Closed center circuit for load sensing pumps

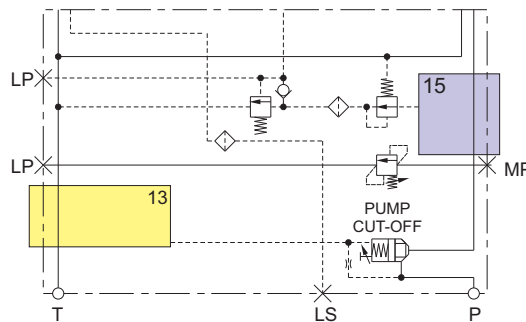
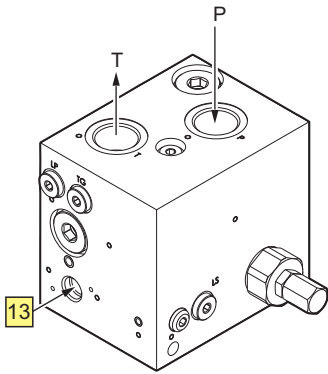


Code		LP(*)	
BSPP	UN - UNF	bar	psi
HSE0007701204	HSE0007701206	22	319
HSE0007701282	HSE0007701284	30	435
HSE0007701283	HSE0007701285	36	522

Code		LP(*)	
BSPP	UN - UNF	bar	psi
HSE0007701264	HSE0007701266	22	319
HSE0007701303	HSE0007701308	30	435
HSE0007701304	HSE0007701309	36	522

HPV 77

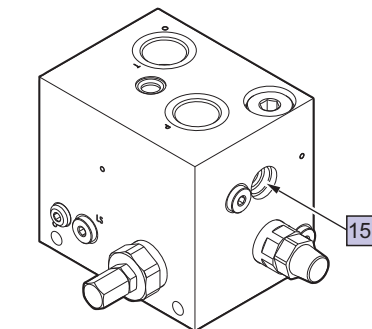
Constant pressure inlet section. For electrically activated valves.  
Prearranged for HSEVX and CUT-OFF pump. ATEX version.



13: can be assembled only with the electrical valves ATEX type HSEVX. Stay bolts kit, please contact our sales department.

Open center circuit for fixed displacement pumps

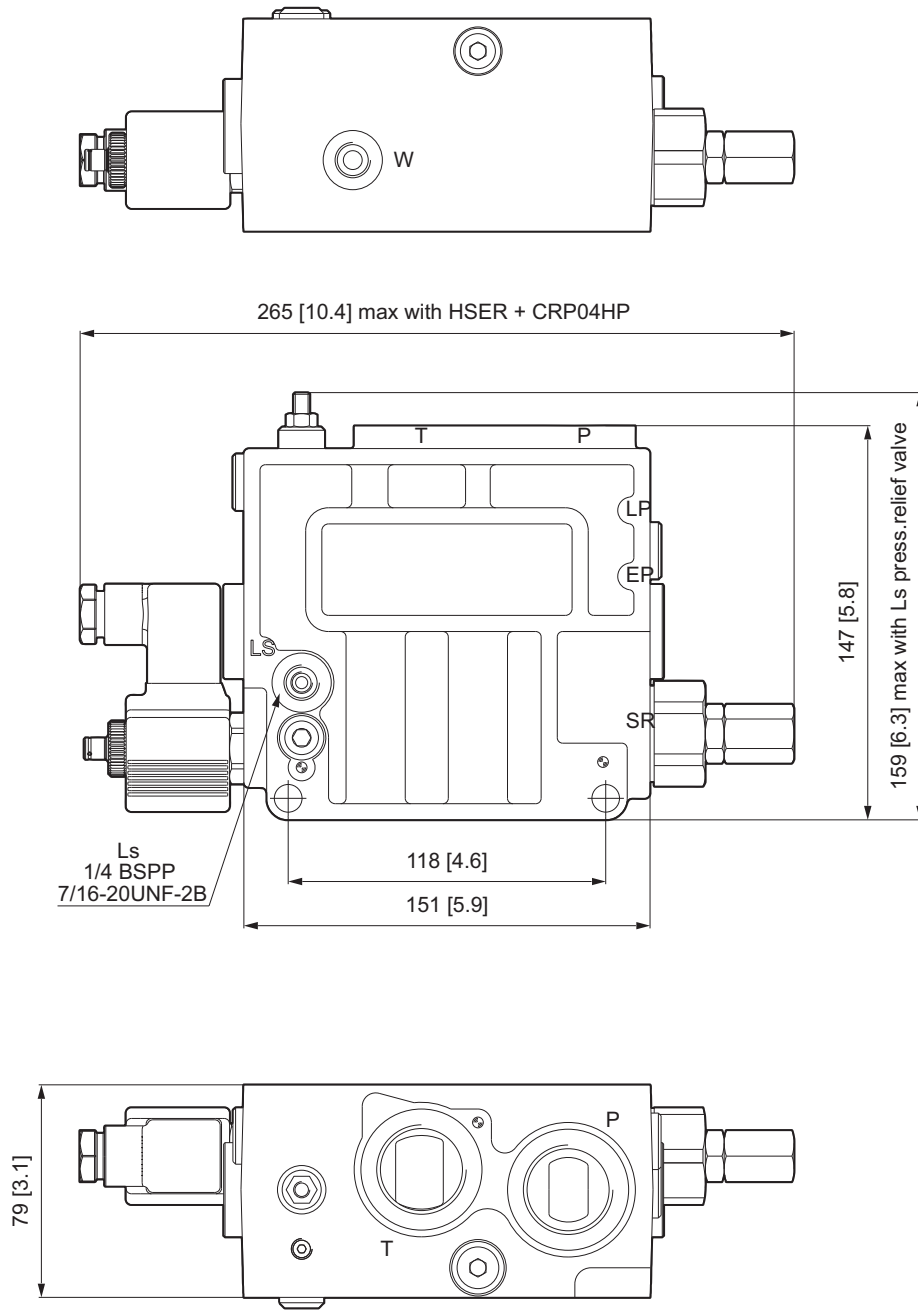
Code BSPP	LP(*)	
	bar	psi
HSE0007701400	22	319



13 15 Seats, see accessories tables from page C-40.

(\*) LP = Pilot pressure oil supply. If not specified 22 bar [319 psi]

## HSE inlet module overall dimensions



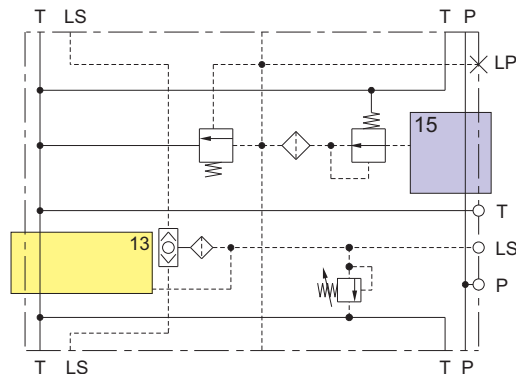
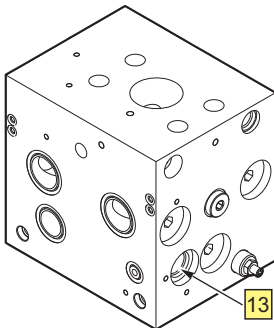
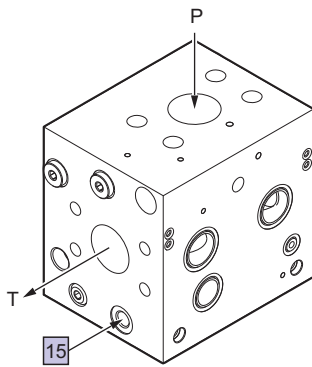
HPV 77



**Features**

- Max. flow. Q = 390 l/min [103 US GPM]
- Max. pressure = 400 bar [5800 psi]
- Pilot pressure Pmax = 22 bar [319 psi]
- CRP04HP (electrical Ls unloading valve) prearranged
- Connections
  - P = 1 1/2" SAE Flange 6000 psi
  - T = 1 1/2" SAE Flange 3000 psi
  - LS. LP = 1/4" BSPP
- Other hydraulic features: see page C-8.

HPV 77



**Closed center circuit for load sensing pumps**

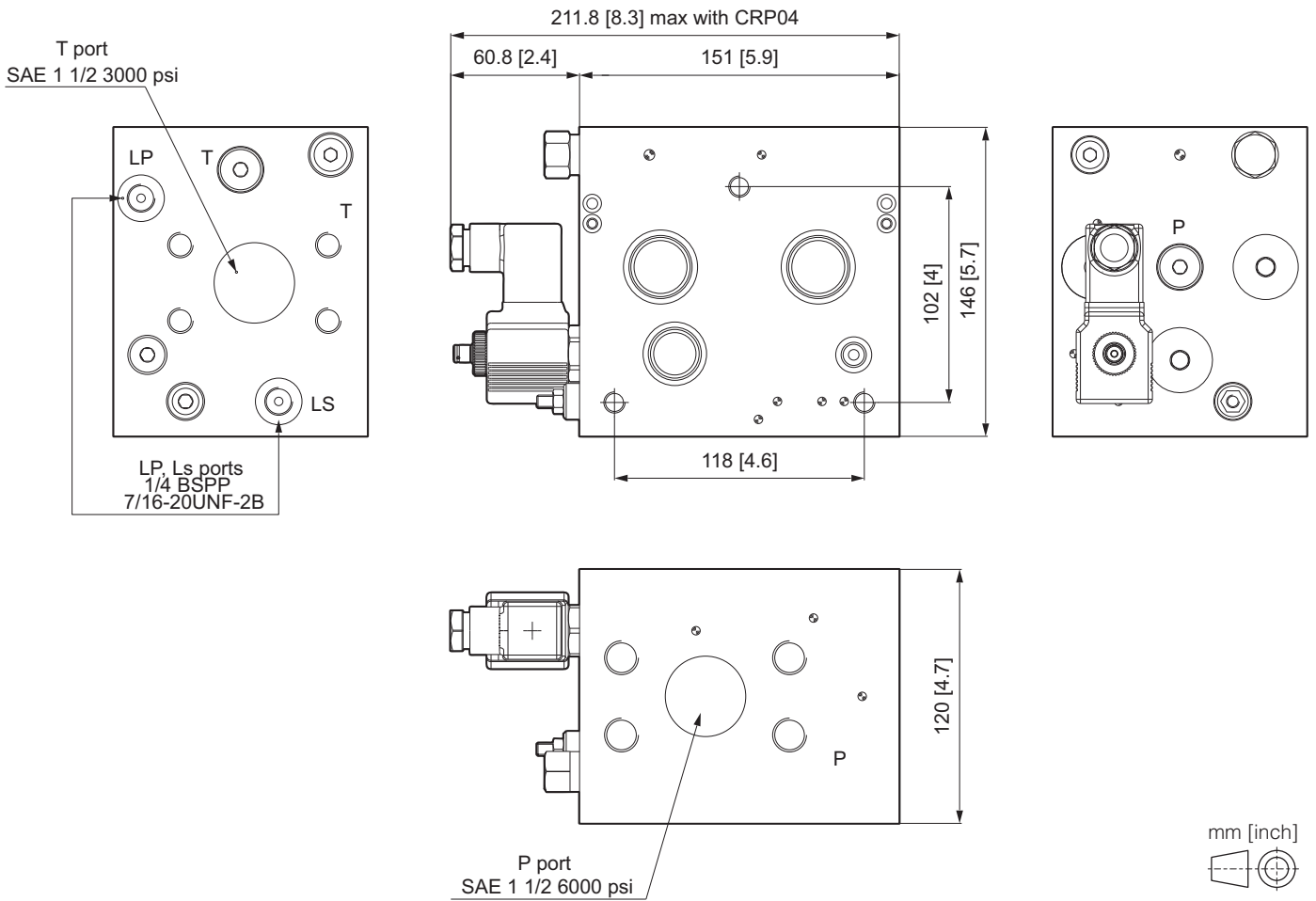
Code		LP(*)	
BSPP	UN - UNF	bar	psi
HFLS007701271	*	22	319
HFLS007701340	*	30	435
HFLS007701341	*	36	522

\* available on request

**13** **15** Seats, see accessories tables page C-40.

(\*) LP = Pilot pressure oil supply

HFLS inlet module overall dimensions



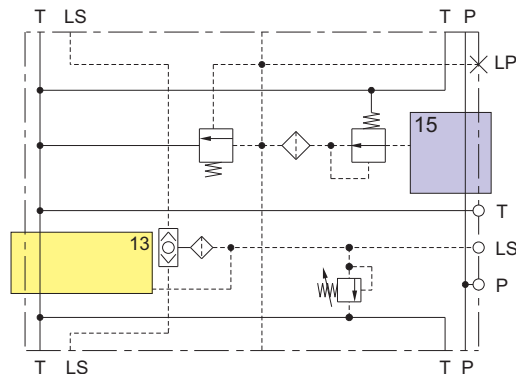
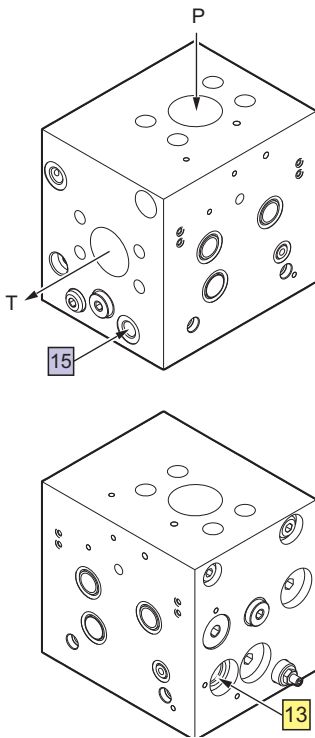
HPV 77



**Features**

- Max. flow. Q = 340 l/min [89.8 US GPM]
- Max. pressure = 400 bar [5800 psi]
- Pilot pressure Pmax = 22 bar [319 psi]
- CRP04HP (electrical Ls unloading valve) prearranged
- Connections
  - P = 1 1/4" SAE Flange 6000 psi
  - T = 1 1/4" SAE Flange 3000 psi
  - LS. LP = 1/4" BSPP or 7/16"-20UNF-2B
- Other hydraulic features: see page C-8.

HPV 77



**Closed center circuit for load sensing pumps**

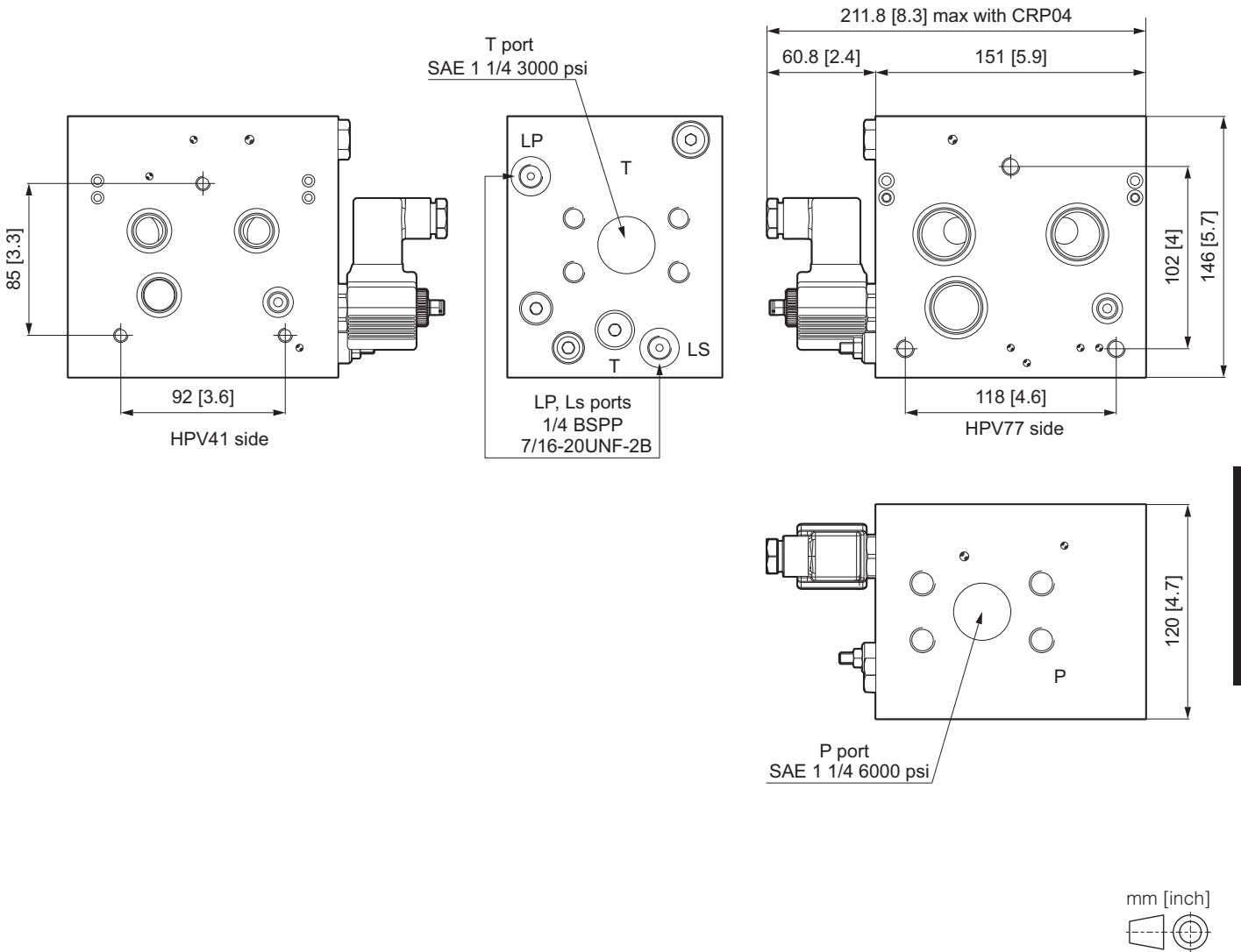
Code		LP(*)	
BSPP	UN - UNF	bar	psi
HFLS007701200	HFLS007701201	22	319

13 15 Seats, see accessories tables page C-40.

(\*) LP = Pilot pressure oil supply

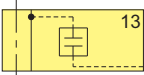
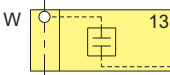
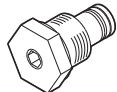
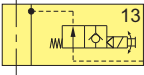
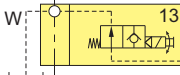
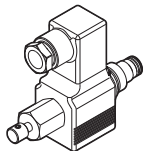
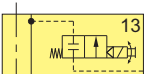
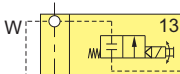
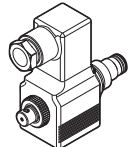
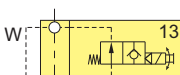

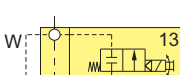
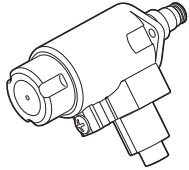

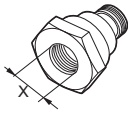
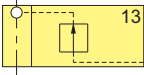


HFLS inlet module overall dimensions



HPV 77

## Field 13 - Facilities for solenoid Ls unloading valve

Code	Description	Ls unloading valve	HSER pilot	Draw
		Symbol / Field		
HSET007701305	HSET Plug			
CRP04HPNAAE4P71 14 Vdc	CRP04HP Electrical valve normally open			
CRP04HPNAAEVP71 28 Vdc				
CRP04HPNCAE4P01 14 Vdc	CRP04HP Electrical valve normally closed			
CRP04HPNCAEVP01 28 Vdc				
HSEVX0NA12000 12 Vdc	HSEVX (*) Electrical valve normally open	—		
HSEVX0NA24000 24 Vdc	ATEX			
HSEVX0NC12000 12 Vdc	HSEVX (*) Electrical valve normally closed	—		
HSEVX0NC24000 24 Vdc	ATEX			
HSEA007701301 (connection X G 1/4)	HSEA Screw-in cartridge, Ls pilot pressure for HSE inlet sections, with Ø 0.8 mm [0.03 inch] orifice			
HSEA007701303 (connection X 7/16 20 UNF)				
HSEA007701302 (connection X G 1/4)				
HSEA007701304 (connection X 7/16 20 UNF)	HSEA Screw-in cartridge, Ls pilot pressure for HSE inlet sections			

W Drain port

(\*) The electrical valves ATEX type XSEVX can be assembled only with the inlet section code HFLS007701200, page C-34.

## 1) CRP04HP valve features

Pilot-operated, electrically controlled 2-way / 2-position Ls unloading directional valve. For high pressures. When energized (N.C.) or deenergized (N.O.), it enables a connection between the Ls signal and tank port and every machine's function will be cut-off except the ones whose pressure is lower than the remaining  $\Delta p$  (see page C-1). Tapered poppet made up in tempered and ground steel. Available in normally open (NA) or normally closed (NC) versions.

- NA, free flow from 2 to 1 with de-energized coil.
- NC, free flow from 2 to 1 with energized coil or from 1 to 2 with de-energized coil.

The valves work with DC coils whereas RAC coils with a connector with incorporated rectifier must be used for AC applications.

Sleeve made up in galvanised steel.

Further details of the CRP04 valve, see Dana catalog code DOC00044.

Max. operating pressure	370 bar [5366 psi]
Max. flow	30 l/min [7.93 US gpm]
Max. Leakage (0-5 drops/min)	0 ÷ 0,25 cm <sup>3</sup> /min [0.015 inch <sup>3</sup> /min]
Max. excitation frequency	2 Hz
Duty cycle	100% ED
Hydraulic fluids	Mineral oil
Oil viscosity	10 ÷ 500 mm <sup>2</sup> /s (cSt)
Oil temperature	-25 ÷ +75 °C [-13 ÷ +167 °F]
Ambient temperature	-25 ÷ +60 °C [-13 ÷ +140 °F]
Max. contamination level class with filter	ISO 4406:1999 class 21/19/16
Cartridge filter	280 µm
Degree of enclosure (depending on connector)	IP 65
Weight (with coil)	0,350 kg [0.77 lb]
Cartridge tightening torque	25 ÷ 30 Nm [18.4 ÷ 22.2 lbf.ft]
Coil ring nut tightening torque	7 Nm [5.2 lbf.ft]

## 2) HSEVX - ATEX valve features



In combination with the MHPX and MHOX electro-hydraulic modules another safety solenoid valve, HSEVX, can be inserted in the inlet sections.

The HSEVX solenoid valve can be configured normally open or normally closed. When deactivated (NO) or active (NC), it provides the immediate discharging of the signal with the consequent close down of all actuator movements (venting condition of the entire hydraulic system). HSEVX solenoid valve can be inserted into those inlet sections that are prearranged with the proper cavity: for further informations please refer to our Technical Dept.

The conformity certification of the solenoids of HSEVX will be provided separately, according to the ATEX 2014/34/UE Directive.

When the modules are individually supplied, a label is attached to the module with the following labelling:

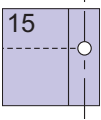
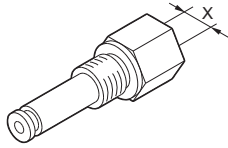
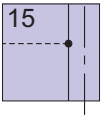
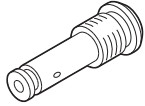
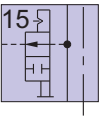
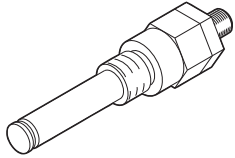
II 2 GD c T4 / T135°C  
 T<sub>amb</sub>= -20 °C ÷ +50 °C  
 T<sub>fluid</sub>= -20 °C ÷ +80 °C

**ATEX electro-hydraulic modules for HPV features and safety instructions see page A-3.**

**For the wiring diagram of module, please refer to Instruction manual.**

Nominal voltage	12 VDC	24 VDC
Coil resistance, R20	9 Ω ± 6%	35.8 Ω ± 6%
Min. current	700 mA	350 mA
Max. current	1850 mA	930 mA
Limit power	14.3 W	14.4 W
Ambient temperature	-20 ÷ +50 °C [-4 ÷ +122 °F]	
Connection cable	FL4G11Y - 3 x 1.5 mm <sup>2</sup> [3 x 15 AWG] L = 5-5.1 mt [197-201 inch]	
Integrated diode to limit switch-off overvoltage	See coil manufacturer manual	
Short-circuit protection	With fuse - See coil manufacturer manual	
Duty cycle	100%	
Input pressure	Max. 400 bar [5800 psi]	
Switching pressure	Max 200 bar [2900 psi]	
Operating Limits	400 bar at max. flow 7 l/min [5800 psi at max. flow 1.85 US gpm]	
Flow P → T at $\Delta p = 2$ bar [29 psi]	> 6.5 l/min [1.71 US gpm]	
Leakage P → T (Oil Temp. 50°C [122 °F] / Input press. 400 bar [5800 psi])	< 20 ml/min [< 0.005 US gpm]	
Fluid temperature	-20 ÷ +80 °C [-4 ÷ +176 °F]	
Ground connection	Up to 4 mm <sup>2</sup> [11 AWG]	
Protection class (DIN VDE 0580)	I	
Fluids	Hydraulic oil to DIN 51524. ATF-oil	
Protection ratings (DIN VDE 0470 / EN 60529)	IP67 / IP69K	
Shock-resistance to EN 50014	4 J	
ATEX directive	See page A-3	
ATEX marking	See page A-4	

## Field 15 - Facilities for pump unloading

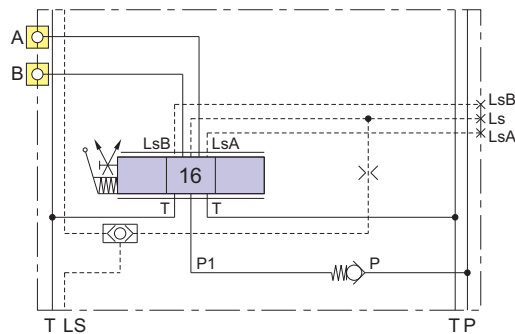
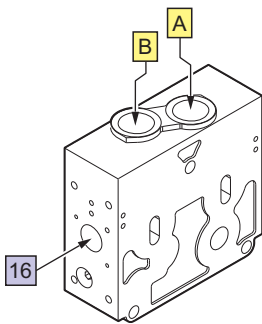
Code		Description	Symbol / Field	Draw
BSPB	UN - UNF			
<b>HSEE007701320</b> (connection X G 1/4)	<b>HSEE007701321</b> (connection X 7/16 UNF)	<b>HSEE</b> External pilot oil supply cartridge		
<b>HSEI007701322</b>		<b>HSEI</b> Internal pilot oil supply cartridge		
<b>HSEN007701326</b>		<b>HSEN</b> Internal pilot oil supply and cut-off cartridge		

HPV 77



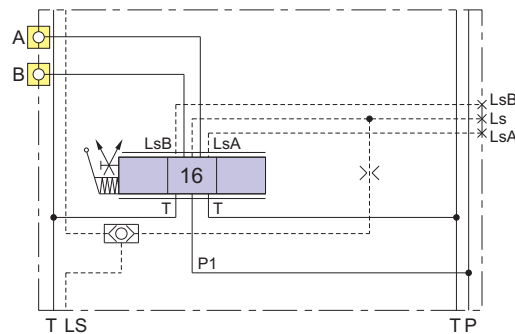
- **Features**
- Other hydraulic features: see page C-8.
- Connections: A,B: 3/4" BSPP or 11/16" - 12UN-2B
- Cast iron body.

**With no facilities for valves**



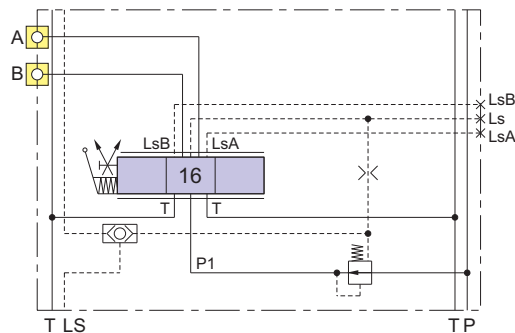
**Without pressure compensator  
With load drop check valve**

Code	
BSPP	UN - UNF
HEM0007702276	HEM0007702281



**Without pressure compensator**

Code	
BSPP	UN - UNF
HEM0007702275	HEM0007702280



**With pressure compensator**

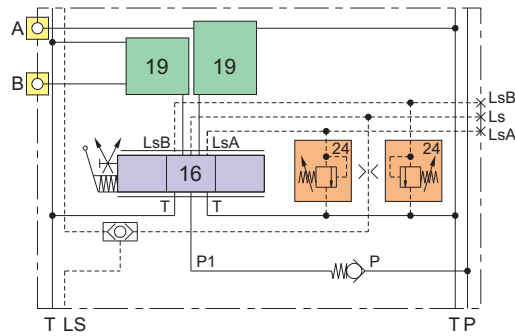
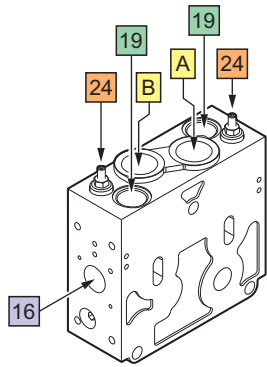
Code	
BSPP	UN - UNF
HEM0007702335	HEM0007702340

16 Spool page C-49

A/B Alternatively closing plug HETS004103002 page C-53

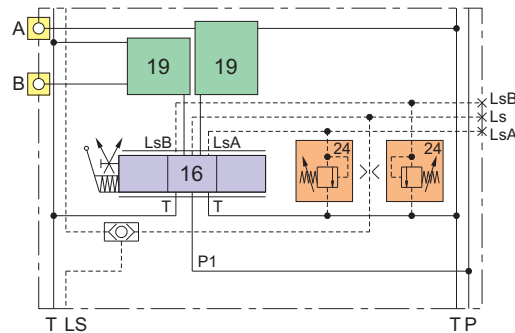
**HPV 77**

With adjustable LsA LsB pressure relief valves.  
Prearranged for shock-suction valves



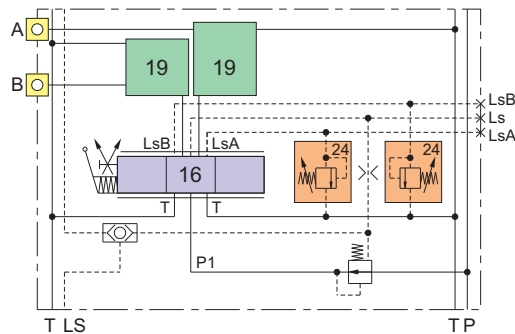
Without pressure compensator  
With load drop check valve

Code	
BSPP	UN - UNF
HEM0007702256	HEM0007702261



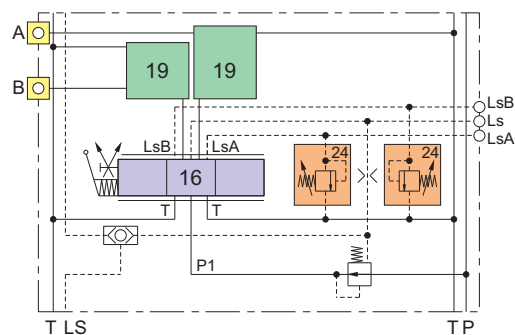
Without pressure compensator

Code	
BSPP	UN - UNF
HEM0007702255	HEM0007702260



With pressure compensator

Code	
BSPP	UN - UNF
HEM0007702315	HEM0007702320



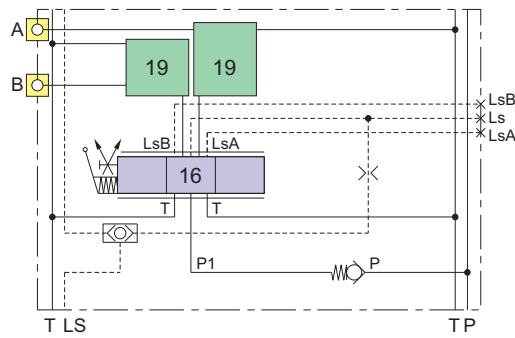
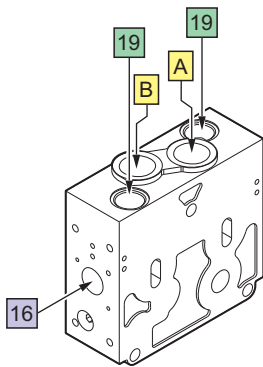
With pressure compensator

Code	
BSPP	UN - UNF
HEM0007702305	HEM0007702310

Prearranged for: shock-suction valves  
electrical LsA - LsB signal unloading  
modules (MHFO, MHFK modules)

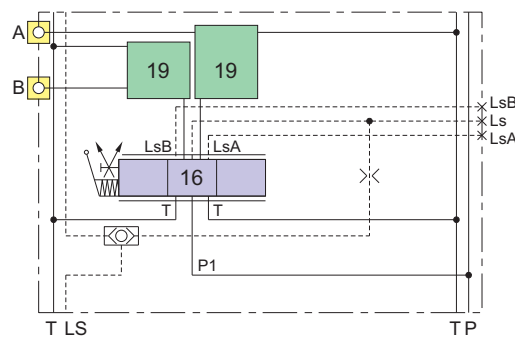
- 16 Spool page C-49
- 19 Seats for valve HEAA - HEAD - HEAT - HEAN or plug HETS page C-51
- 24 Pressure relief valves LsA e LsB, alternatively kit for closing seat HESC007703007 page C-53
- A/B + 19 Alternatively plugs kit HESC007703012 page C-53
- A/B + 19 + 24 Alternatively plugs kit HESC007703013 page C-53

Prearranged for shock-suction valves



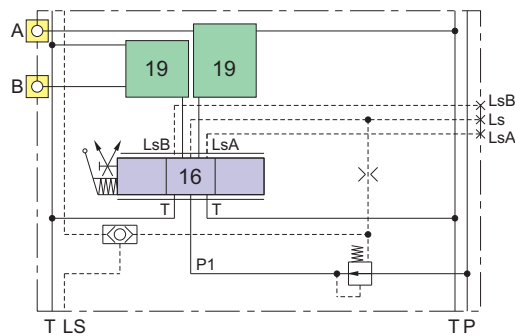
Without pressure compensator  
With load drop check valve

Code	
BSP	UN - UNF
HEM0007702266	HEM0007702271



Without pressure compensator

Code	
BSP	UN - UNF
HEM0007702265	HEM0007702270



With pressure compensator

Code	
BSP	UN - UNF
HEM0007702325	HEM0007702330

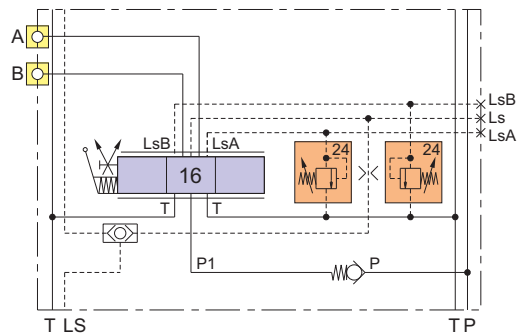
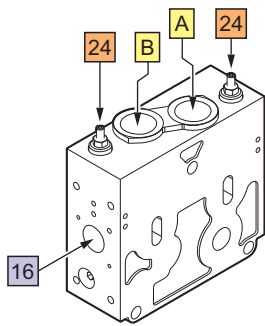
16 Spool page C-49

19 Seats for valve HEAA - HEAD - HEAT - HEAN or plug HETS page C-51

A/B + 19 Alternatively plugs kit HESC004103008 page C-53

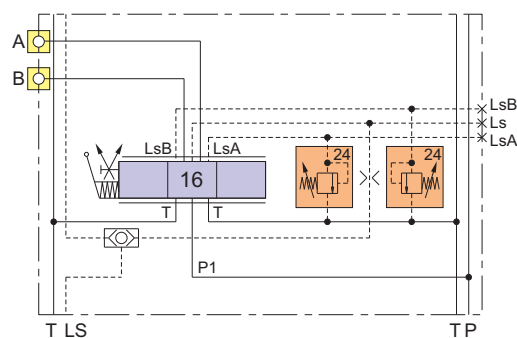
HPV 77

With adjustable LsA LsB pressure relief valves



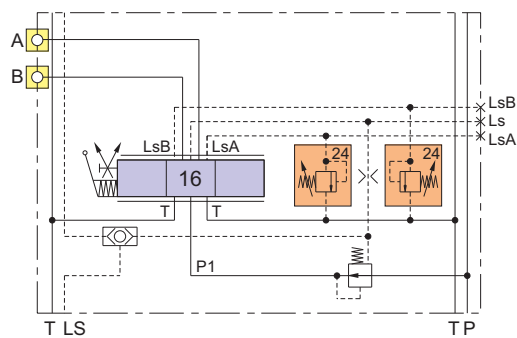
Without pressure compensator  
With load drop check valve

Code	
<b>BSPP</b>	<b>UN - UNF</b>
<b>HEM0007702286</b>	<b>HEM0007702291</b>



Without pressure compensator

Code	
<b>BSPP</b>	<b>UN - UNF</b>
<b>HEM0007702285</b>	<b>HEM0007702290</b>



With pressure compensator

Code	
<b>BSPP</b>	<b>UN - UNF</b>
<b>HEM0007702345</b>	<b>HEM0007702350</b>

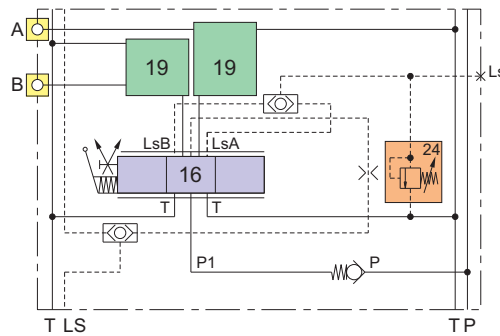
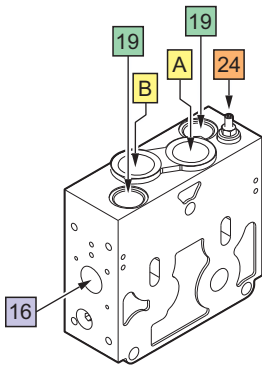
16 Spool page C-49

24 Pressure relief valves LsA e LsB, alternatively kit for closing seat HESC004103007 page C-53

A/B Alternatively closing plug HETS007701303 page C-53

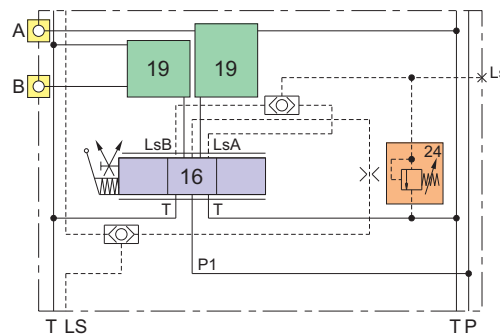


With single adjustable Ls pressure relief valve.  
Preranged for shock-suction valves



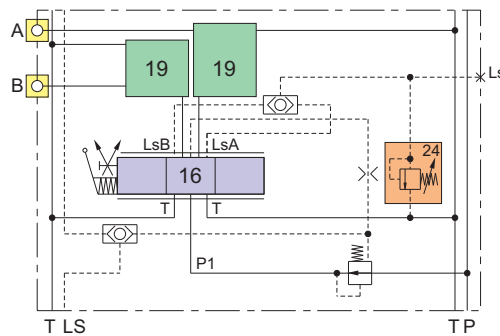
Without pressure compensator  
With load drop check valve

Code	
BSP	UN - UNF
HEM0007702296	HEM0007702301



Without pressure compensator

Code	
BSP	UN - UNF
HEM0007702295	HEM0007702300



With pressure compensator

Code	
BSP	UN - UNF
HEM0007702355	HEM0007702360

16 Spool page C-49

19 Seats for valve HEAA - HEAD - HEAT - HEAN or plug HETS page C-51

24 Pressure relief valves LsA e LsB, alternatively kit for closing seat HESC007703007 page C-53

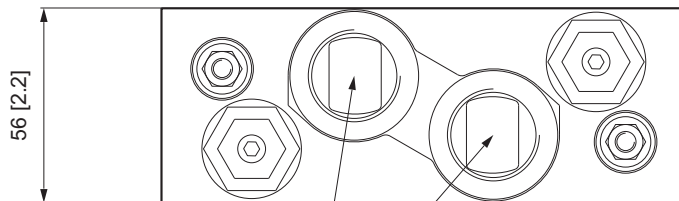
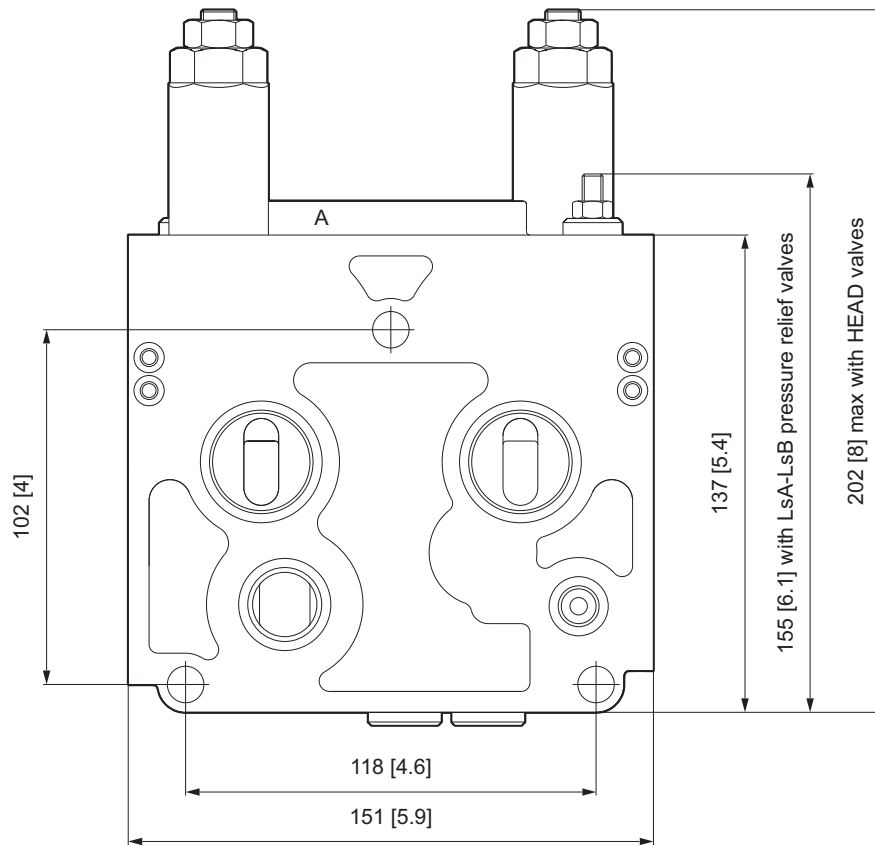
A/B + 19 Alternatively plugs kit HESC007703012 page C-53

A/B + 19 + 24 Alternatively plugs kit HESC007703013 page C-53

HPV 77

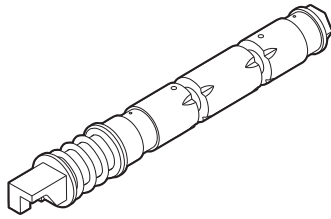
## HEM module overall dimensions

HPV 77

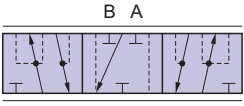
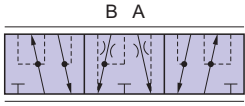
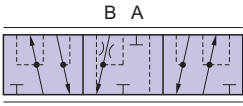
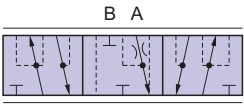


A / B ports  
3/4 BSPP  
1 1/16-12UNF-2B

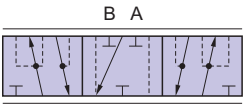
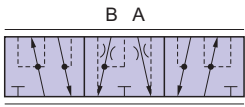
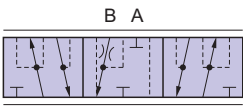
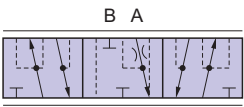
mm [inch]



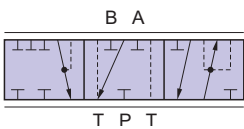
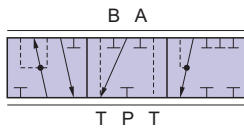
### Main spool for flow control, double acting

Size	Max. pressure compensated oil flow l/min [US gpm]	Symbol and ordering code			
					
		4-way, 3-position A, B closed	4-way, 3-position A, B → T	4-way, 3-position B → T; A closed	4-way, 3-position A → T; B closed
1	100 [26.4]	HEAS007704305	HEAS007704335	HEAS007704365	HEAS007704395
2	115 [30.4]	HEAS007704310	HEAS007704340	HEAS007704370	HEAS007704400
3	135 [35.7]	HEAS007704315	HEAS007704345	HEAS007704375	HEAS007704405
4	155 [40.9]	HEAS007704320	HEAS007704350	HEAS007704380	HEAS007704410
5	175 [46.2]	HEAS007704325	HEAS007704355	HEAS007704385	HEAS007704415
6	190 [50.2]	HEAS007704330	HEAS007704360	HEAS007704390	HEAS007704420

### Main spool for flow control, double acting, asymmetric flow

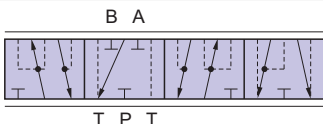
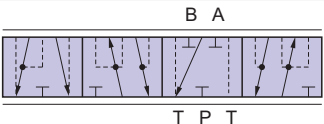
Max. pressure compensated oil flow l/min [US gpm]		Symbol and ordering code			
					
		4-way, 3-position A, B closed	4-way, 3-position A, B → T	4-way, 3-position B → T; A closed	4-way, 3-position A → T; B closed
A	B	—	HEAS007704192 (*)	—	—
45 [11.9]	220 [58.1]	—	HEAS007704180 (*)	—	—
60 [15.9]	155 [40.9]	—	HEAS007704186 (*)	—	—
100 [26.4]	220 [58.1]	HEAS007704164 (*)	—	—	—
115 [30.4]	200 [52.8]	HEAS007704170 (*)	—	—	—
135 [35.7]	190 [50.2]	—	—	—	—

### Main spool for flow control, single acting

Size	Max. pressure compensated oil flow l/min [US gpm]	Symbol and ordering code	
			
		3-way, 3-position P → A	3-way, 3-position P → B
1	100 [26.4]	HEAS007704425 (*)	HEAS007704455 (*)
2	115 [30.4]	HEAS007704430 (*)	HEAS007704460 (*)
3	135 [35.7]	HEAS007704435 (*)	HEAS007704465 (*)
4	155 [40.9]	HEAS007704440 (*)	HEAS007704470 (*)
5	175 [46.2]	HEAS007704445 (*)	HEAS007704475 (*)
6	190 [50.2]	HEAS007704450 (*)	HEAS007704480 (*)

(\*) Special spool, available upon request

## Main spool for flow control, double acting, with 4th floating position

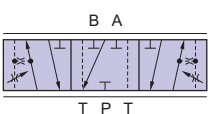
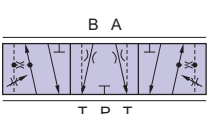
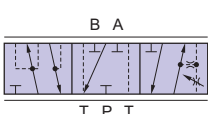
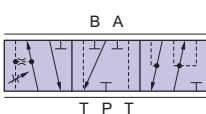
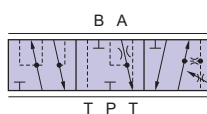
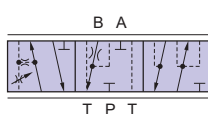
Size	Max. pressure compensated oil flow l/min [US gpm]	Symbol and ordering code	
		 3-way, 4-position floating position on A port	 3-way, 4-position floating position on B port
1	100 [26.4]	<b>HEAS007704485 (*)</b>	<b>HEAS007704515 (*)</b>
2	115 [30.4]	<b>HEAS007704490 (*)</b>	<b>HEAS007704520 (*)</b>
3	135 [35.7]	<b>HEAS007704495 (*)</b>	<b>HEAS007704525 (*)</b>
4	155 [40.9]	<b>HEAS007704500 (*)</b>	<b>HEAS007704530 (*)</b>
5	175 [46.2]	<b>HEAS007704505 (*)</b>	<b>HEAS007704535 (*)</b>
6	190 [50.2]	<b>HEAS007704510 (*)</b>	<b>HEAS007704540 (*)</b>

### Main spool for pressure control

When using a proportional directional valve, where the overcenter valves are present, instability problems can happen to the whole system, in the form of a rise and fall of pressure. A new series of spools will suit these kinds of problems. This system of control is called Pressure Control, and has been devised to make the overcenter valves pilot pressure more stable. Generally, the Pressure Control function is requested for only one port (A or B), while the other port maintains the normal flow control function. The problem manifests almost always during the re-entry of the rod, under the force of the positive load, where the only pressure requested is that which is necessary to pilot the

overcenter valves, to lower and control the load. The Pressure Control spools must always be used with compensating elements and with pilot load sensing relief valves for A/B ports. Using the Pressure Control solution allows a higher degree of stability to the system and the control of the function, however, we advise its use exclusively in severe cases, since:

- The valve loses own compensation, becoming "load dependent": namely, its performance varies at the variation of the working pressure;
- The pump pressure could be considerably higher than that necessary to move the load (the  $\Delta p$  through the spool is no more constant and controllable).

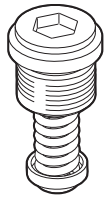
Grandezza	Symbol and ordering code (PC = Pressure Control - FC = Flow control)					
						
	4-way, 3-position, A, B closed	4-way, 3-position, A, B throttled open to T	4-way, 3-position, A, B closed	4-way, 3-position, A, B closed	4-way, 3-position, A throttled open to T, B closed	4-way, 3-position, A closed, B throttled open to T
1	-	<b>HEAS00770AD00 (*)</b>	-	-	-	-

### Typical spool oil flow tolerances

Size	Oil flow at max. spool travel	
	min l/min [US gpm]	max l/min [US gpm]
1	97 [25.6]	105 [27.7]
2	108 [28.5]	115 [30.4]
3	158 [41.7]	138 [36.5]
4	150 [39.6]	160 [42.3]
5	170 [44.9]	176 [46.5]
6	185 [48.9]	191 [50.5]

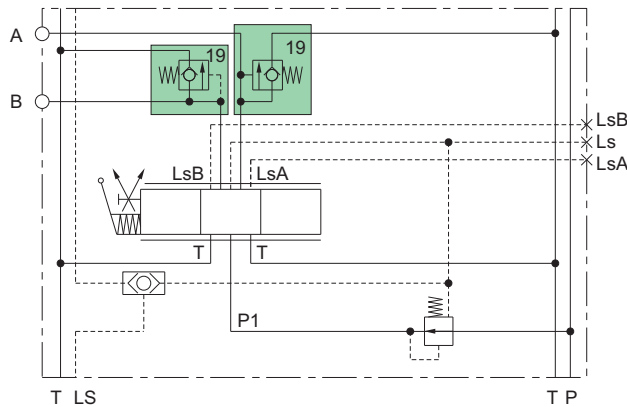
(\*) Special spool, available upon request

HPV 77



**HEAA**

Hydraulic diagram example

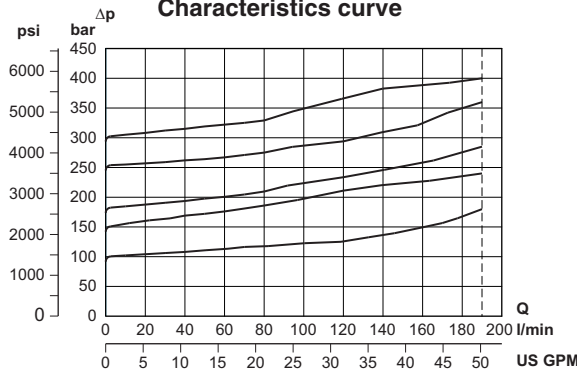


Not adjustable shock and suction valve for A – B ports,

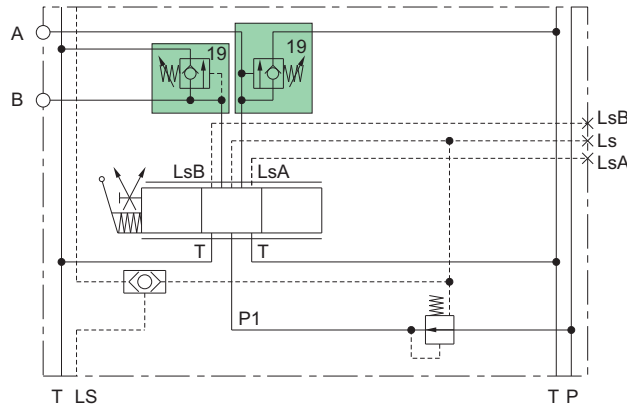
HEAA is designed to absorb shock effects only.  
**Don't use it as a pressure relief valve.**

Range setting bar [psi]	Code (*)
45 [653]	HEAA007709045
60 [870]	HEAA007709060
75 [1088]	HEAA007709075
95 [1378]	HEAA007709095
120 [1740]	HEAA007709120
135 [1958]	HEAA007709135
155 [2248]	HEAA007709155
170 [2466]	HEAA007709170
190 [2756]	HEAA007709190
220 [3191]	HEAA007709220
240 [3481]	HEAA007709240
250 [3626]	HEAA007709250
270 [3916]	HEAA007709270
290 [4206]	HEAA007709290
320 [4641]	HEAA007709320

Characteristics curve



Hydraulic diagram example

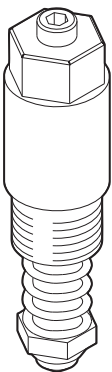
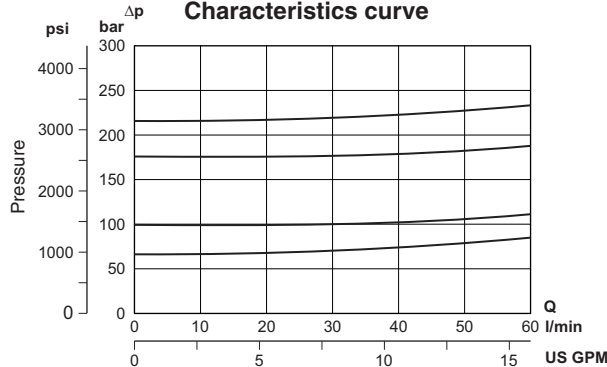


Adjustable shock and suction valve for A – B ports.

HEAD is designed to absorb shock effects only.  
**Don't use it as a pressure relief valve.**

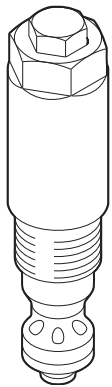
Range setting bar [psi]	Code (*)
20 ÷ 90 [5,3 ÷ 23,8]	HEAD007708996
91 ÷ 140 [24 ÷ 37]	HEAD007708998
141 ÷ 270 [37,2 ÷ 71,3]	HEAD007709000
271 ÷ 350 [71,6 ÷ 92,5]	HEAD007709001

Characteristics curve



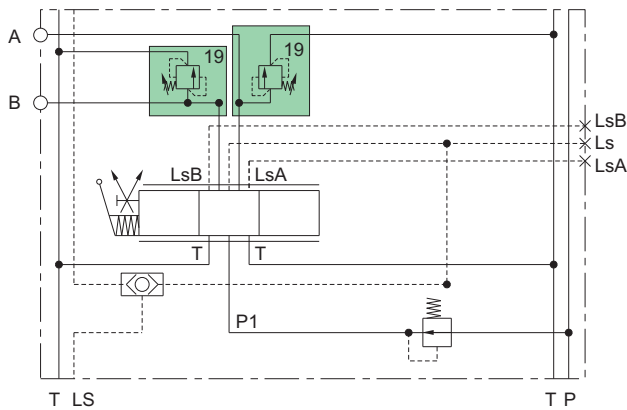
**HEAD**

(\*) In the order form indicate the lines A and/or B on which the valves are to be mounted



**HEAT**

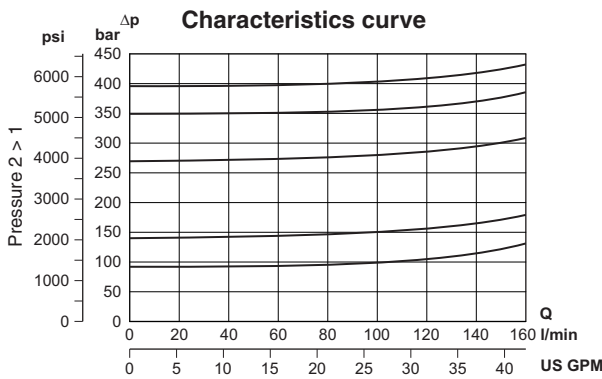
Hydraulic diagram example



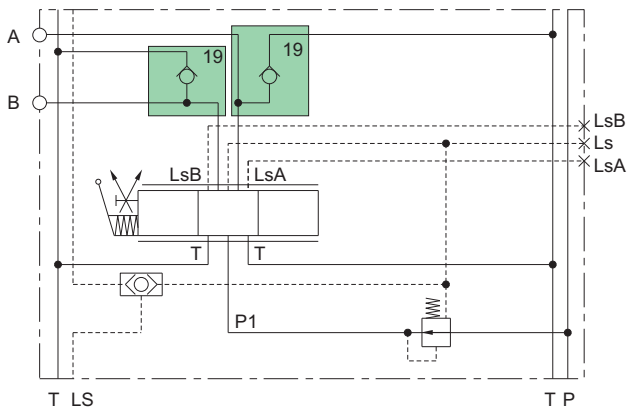
Adjustable shock valve for A – B ports

*Don't use it as a pressure relief valve.*

Range setting bar [psi]	Code (*)
20 ÷ 90 [5,3 ÷ 23,8]	HEAT007708996
91 ÷ 140 [24 ÷ 37]	HEAT007708998
141 ÷ 270 [37,2 ÷ 71,3]	HEAT007709000
271 ÷ 350 [71,6 ÷ 92,5]	HEAT007709001

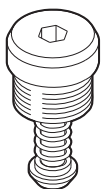


Hydraulic diagram example



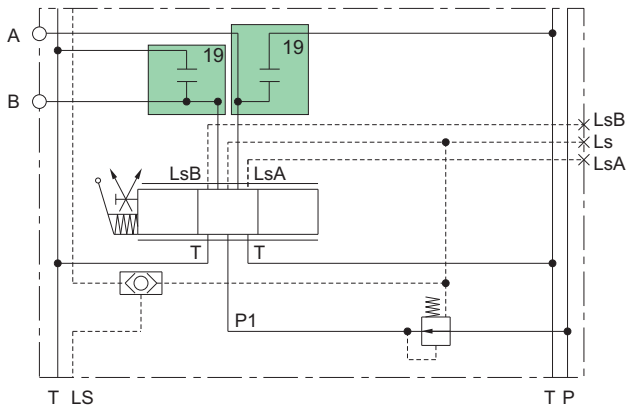
Suction valve

Code (*)
HEAN007703011



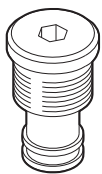
**HEAN**

Hydraulic diagram example



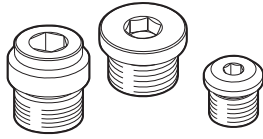
Replacing plug

Code (*)
HETS007703010



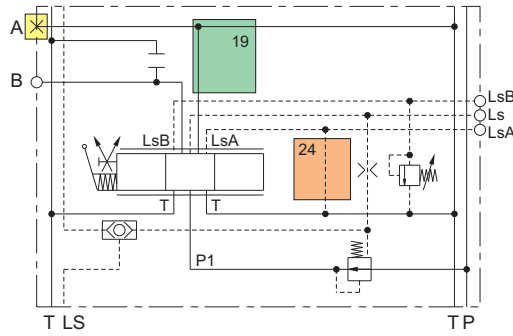
**HETS**

(\*) In the order form indicate the lines A and/or B on which the valves are to be mounted



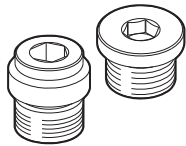
**HESC**

Hydraulic diagram example



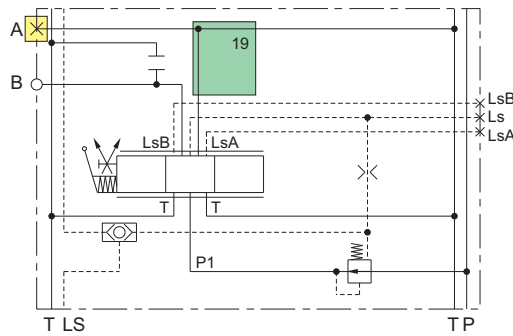
Kit for connecting the non-active port to tank, when using a single acting spool - to be fitted with HEM modules with LsA-LsB + shock and suction valves cavities (lines A or B)

Code (\*)  
HESC007703013



**HESC**

Hydraulic diagram example



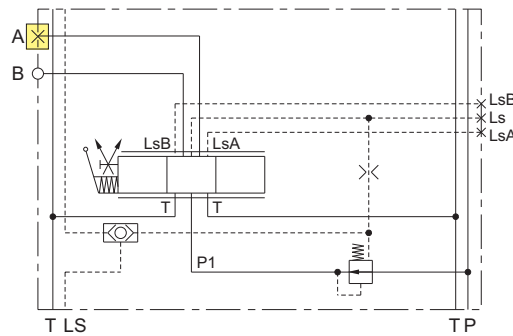
Plug for connecting the non-active port to tank, when using a single acting spool (A or B)

Code (\*)  
HESC007703012



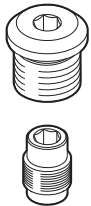
**HETS**

Hydraulic diagram example



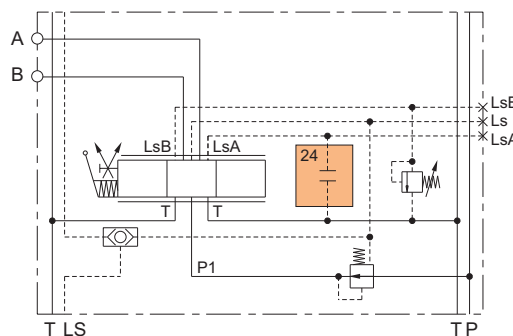
Plug for closing A or B port

Code (\*)  
HETS007701303



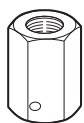
**HESC**

Hydraulic diagram example



Kit for closing Ls pressure relief valve cavity LsA and/or LsB

Code (\*)  
HESC007703007



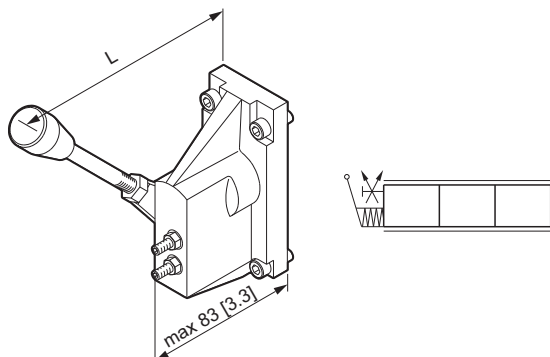
**Protection cap for Ls pressure relief valve**  
regulation screw for HEM (working sections) and HSE (inlet sections). Code number and quantity (related to no. of Ls valve mounted) must be indicated under the HEM..... or HSE..... field of the order form.

Code (\*)  
KIT007703995

HPV 77

The control modules can be made up in aluminum or cast iron. For standard applications aluminum is used normally, for

marine or mining applications we advise the choice of cast iron. **For the ATEX versions you need to use the cast iron controls.**



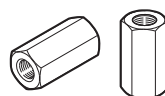
**HCM**

**Mechanical control**

Control positions: see page A-4.

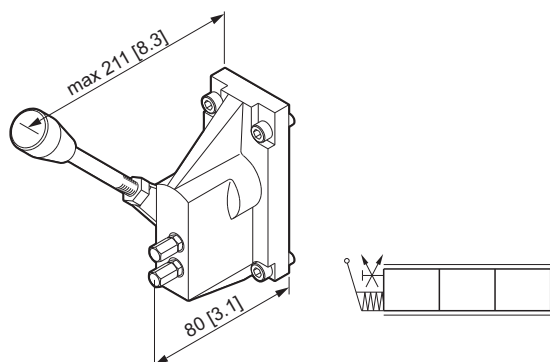
L mm [inch]	Code (Aluminum)	Code (Cast iron)
211 [8.3]	<b>HCM0007704590</b>	<b>HCM0007704589</b>
261 [10.3]	<b>HCM000770C000</b>	*

\* available on request



Code
<b>KIT0007704610</b>

**Flow adjustment protective nuts kit for HCM mechanical control**



**HCM**

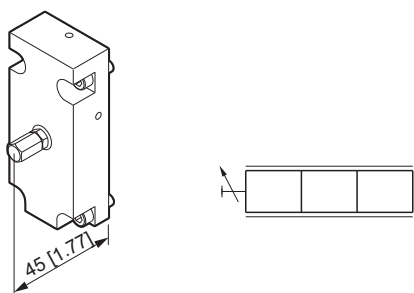
**Mechanical control, with flow adjustment nuts protection**

Control positions: see page A-4.

Code (Aluminum)	Code (Cast iron)
<b>HCM0007704690</b>	<b>HCM0007704689</b>

**Rear cover flow adjustment for:**

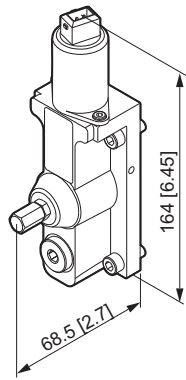
- MHPF electrical module
- MHPH module with stroke adjustment
- ATEX modules.



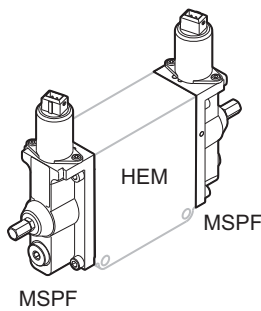
**HCF**

Code (Aluminum)	Code (Cast iron)
<b>HCF0007704587</b>	<b>HCF0007704584</b>

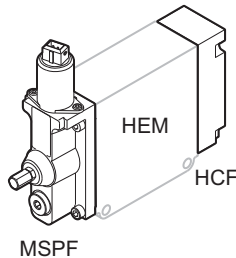




**MSPF**



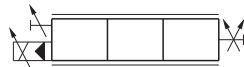
MSPF



MSPF



Example with 2 modules MSPF (double effect)



Example with 1 module MSPF and rear cover HCF (single effect in B)

### MSPF electrohydraulic proportional module

MSPF is one of the series of PWM open loop electrical activation units.

MSPF can be controlled either in proportional or in on-off mode.

With electrical proportional actuation, the main spool position is adjusted by the pilot pressure, so that it corresponds to an electrical signal (PWM) coming from a remote control unit.

With electrical on-off actuation, the main spool is moved from neutral to maximum stroke when one of the two pressure reducing solenoid valves is energized.

MSPF is recommended where there is a requirement for medium resolution proportional control and where hysteresis is not critical.

MSPF is being supplied without manual spool control, thus allowing both smaller overall dimensions and cost effective compared to MHPF, HCK modules.

The MSPF module has the following main features:

- On-off and proportional mode;
- Quick reaction time;
- Electro-proportional pressure reducing valves;
- PWM control of low-frequency solenoid valves;
- Low hysteresis and good sensitivity;
- Mechanical flow adjustment;
- Pilot pressure ports;
- Possibility of operating in double acting or single acting with HCF module (see page C-54).

Voltage	Code (Aluminum)	
	BSPB	UN - UNF
12 Vdc	MSPF007707070	*
24 Vdc	MSPF007707071	*

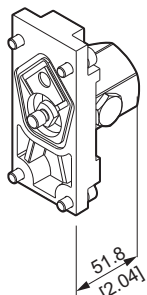
\* available on request

Rated voltage		12 Vdc	24 Vdc
Supply voltage		11 to 15 V	22 to 30 V
Max. ripple		8 %	
Max. current		1500 mA ± 10	750 mA ± 10
Power consumption		18 W at 22 °C [71.6 °F] coil temperature	
Start spool travel		600 mA	280 mA
End spool travel		1170 mA	530 mA
R <sub>20</sub>		4.72 Ω ± 5 %	20.8 Ω ± 5 %
Heat insulation		Class H, 180 °C [356 °F]	
Oil temperature	Recommended	-30 ÷ +60 °C [-22 ÷ +140 °F]	
	Min	-30 °C [-22 °F]	
	Max	+90 °C [+194 °F]	
Dither adjustment		75 Hz	
Inductance		8.5 mH	70 mH
Current variation		100 mA/s	50 mA/s
Duty cycle % ED on-off operating		14 V = 100	28 V = 100
		15 V = 50	30 V = 50
Plug connector		2-pole AMP Junior Power Timer	
Reaction time from neutral position to end spool stroke (constant voltage)		120 ms	
Reaction time from end spool stroke to neutral position (constant voltage)		90 ms	
Grade of enclosure to IEC 529, with female connector		IP 65	

Electrical connections for MSPF-MHPF-HCK working sections, see page: E-2

The control modules can be made up in aluminum or cast iron. For standard applications aluminum is used normally, for

marine or mining applications we advise the choice of cast iron. **For the ATEX versions you need to use the cast iron controls.**

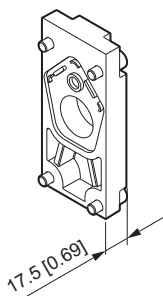


**HCN**



**Friction control**

Code (Aluminum)	Code (Cast iron)
HCN0007704628	HCN0007704627



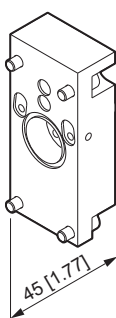
**HCP**



**Rear cover**

Code (Aluminum)	Code (Cast iron)
HCP0007704591	HCP0007704588

HPV 77



**HCPA**

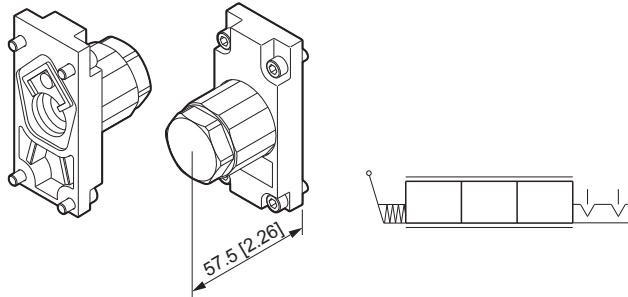


**Rear cover with stroke adjustment**

Code (Aluminum)	Code (Cast iron)
—	HCPA0007704580

The control modules can be made up in aluminum or cast iron. For standard applications aluminum is used normally, for

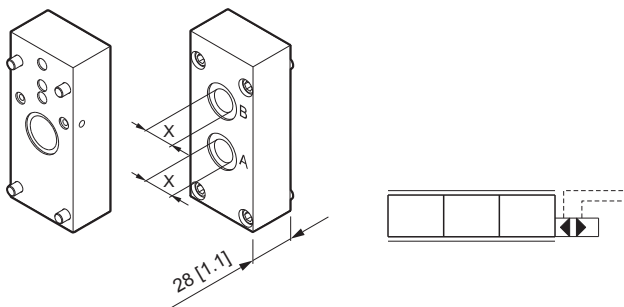
marine or mining applications we advise the choice of cast iron. **For the ATEX versions you need to use the cast iron controls.**



**HCPD**

**Mechanical spool lock device, manual release**

Control	Code (Aluminum)	Code (Cast iron)
P → A lock P → B free	<b>HCPD007704592</b>	<b>HCPD007704547</b>
P → B lock P → A free	<b>HCPD007704593</b>	<b>HCPD007704548</b>
P → A lock P → B lock	<b>HCPD007704594</b>	<b>HCPD007704549</b>
P → A float P → B free	<b>HCPD007704585</b>	<b>HCPD007704545</b>
P → B float P → A free	<b>HCPD007704586</b>	<b>HCPD007704546</b>

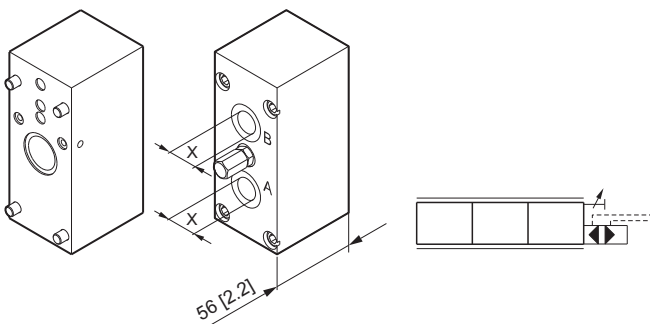


**MHPH**

**Hydraulic activation**

- Start pilot pressure: 4.5 bar [65 psi]
- End stroke pressure: 15 bar [218 psi]
- Max. pilot pressure: 30 bar [435 psi]

Thread	Code (Aluminum)	Code (Cast iron)
(X) 1/4 BSPP	<b>MHPH007704601</b>	<b>MHPH007704621</b>
(X) 7/16" - 20 UNF	<b>MHPH007704602</b>	<b>MHPH007704622</b>



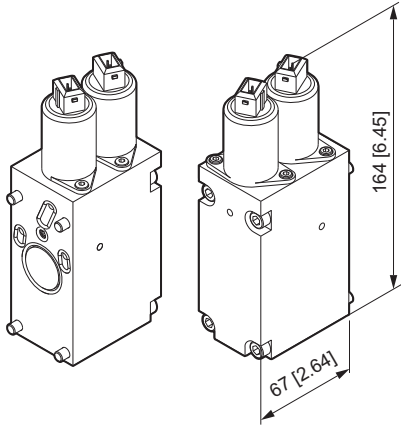
**MHPH**

**Hydraulic activation with stroke adjustment**

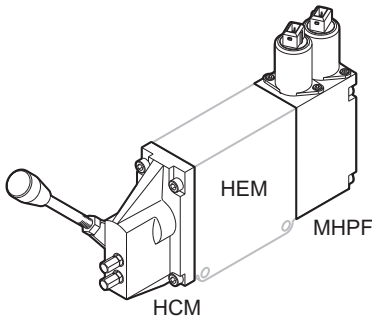
- Start pilot pressure: 4.5 bar [65 psi]
- End stroke pressure: 15 bar [218 psi]
- Max. pilot pressure: 30 bar [435 psi]

Thread	Code (Aluminum)	Code (Cast iron)
(X) 7/16" - 20 UNF	<b>MHPH007704612</b>	<b>MHPH007704614</b>

**HPV 77**



## MHPF



Example with module MHPF and manual control HCM

### MHPF electrohydraulic PROPORTIONAL module

MHPF proportional electrohydraulic module shifts the position of the spool precisely in proportion to an electric current signal generated by the remote control.

The spool is shifted by means of the hydraulic pressure generated by the pressure-reduction proportional solenoid valves. The MHPF module is not equipped with an inductive position transducer (LVDT) and the entire electronic circuit to detect and signal faults.

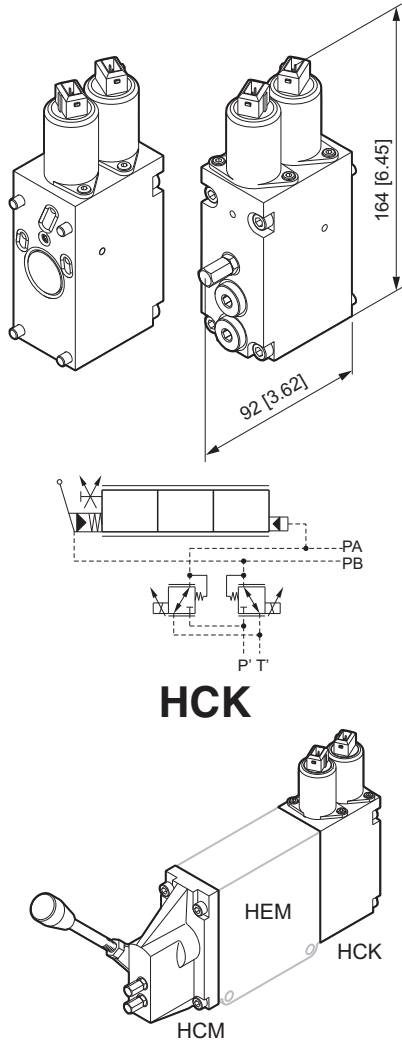
This means that in the joystick remote control phase, any control (for example a manual control) that overrides the force exerted by the pressure reduction valves on the spool, may vary the position of that spool without any error signal and without inhibition, leaving the safety of the entire hydraulic system to the visual operator control, only.

MHPF module has the following main features:

- It can be operated with on-off signals also
- Short response time
- Electro-proportional pressure reduction valves
- PWM electric control of low-frequency solenoid valves
- Any adjustment to limit the flow or to create work ramps will be made directly on the remote control
- Very low hysteresis and excellent sensitivity

Voltage	Code (Aluminum)	Code (Cast iron)
12 Vdc	<b>MHPF007707088</b>	<b>MHPF007707090</b>
24 Vdc	<b>MHPF007707089</b>	<b>MHPF007707091</b>

Rated voltage	12 Vdc	24 Vdc
Power supply voltage range	11 to 15 V	22 to 30 V
Max. ripple	8 %	
Max. current	1500 mA ± 10	750 mA ± 10
Power consumption	18 W at 22 °C [71.6 °F] coil temperature	
Start spool travel	630 mA	280 mA
End spool travel	1170 mA	610 mA
R <sub>20</sub>	4.72 Ω ± 5 %	20.8 Ω ± 5 %
Heat insulation	Class H, 180 °C [356 °F]	
Oil temperature	Recommended	-30 ÷ +60 °C [-22 ÷ +140 °F]
	Min	-30 °C [-22 °F]
	Max	+90 °C [+194 °F]
Dither adjustment	75 Hz	
Inductance	8.5 mH	70 mH
Current variation	100 mA/s	50 mA/s
Duty cycle % ED on-off operating	14 V = 100	28 V = 100
	15 V = 50	30 V = 50
Plug connector	2-pole AMP Junior Power Timer	
Reaction time from neutral position to end spool stroke (constant voltage)	120 ms	
Reaction time from end spool stroke to neutral position (constant voltage)	90 ms	
Grade of enclosure to IEC 529, with female connector	IP 65	



Example with module HCK and manual control HCM

### HCK electrohydraulic PROPORTIONAL module with pilot oil connections

HCK proportional electrohydraulic module shifts the position of the spool precisely in proportion to an electric current signal generated by the remote control.

The spool is shifted by means of the hydraulic pressure generated by the pressure-reduction proportional solenoid valves. HCK module is not equipped with an inductive position transducer (LVDT) and the entire electronic circuit to detect and signal faults. This means that in the joystick remote control phase, any control (for example a manual control) that overrides the force exerted by the pressure reduction valves on the spool, may vary the position of that spool without any error signal and without inhibition, leaving the safety of the entire hydraulic system to the visual operator control, only.

**Thanks to the 2 additional pilot oil supply connections, HCK is recommended where there is a requirement for a single output control to be used to achieve 2 simultaneously or sequence spool movements, or to change the displacement onto hydraulic motors, making the use of HPV even more flexible.**

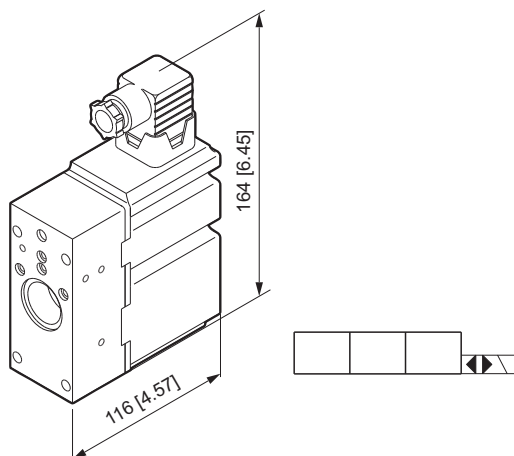
HCK module has the following main features:

- It can be operated with on-off signals also
- Short response time
- Electro-proportional pressure reduction valves
- PWM electric control of low-frequency solenoid valves
- Any adjustment to limit the flow or to create work ramps can be made directly on the remote control
- Very low hysteresis and excellent sensitivity

Voltage	Code (Aluminum)	Code (Cast iron)
12 Vdc	—	<b>HCK0007708100</b>
24 Vdc	—	<b>HCK0007708101</b>

Rated voltage		12 Vdc	24 Vdc
Power supply voltage range		11 to 15 V	22 to 30 V
Max. ripple		8 %	
Max. current		1500 mA ± 10	750 mA ± 10
Power consumption		18 W at 22 °C [71.6 °F] coil temperature	
Start spool travel		560 mA	280 mA
End spool travel		1080 mA	520 mA
R <sub>20</sub>		4.72 Ω ± 5 %	20.8 Ω ± 5 %
Max. pressure pilot oil supply		30 bar [435 psi]	
Heat insulation		Class H, 180 °C [356 °F]	
Oil temperature	Recommended	-30 ÷ +60 °C [-22 ÷ +140 °F]	
	Min	-30 °C [-22 °F]	
	Max	+90 °C [+194 °F]	
Dither adjustment		75 Hz	
Inductance		8.5 mH	70 mH
Current variation		100 mA/s	50 mA/s
Duty cycle % ED on-off operating		14 V = 100	28 V = 100
		15 V = 50	30 V = 50
Plug connector		2-pole AMP Junior Power Timer	
Reaction time from neutral position to end spool stroke (constant voltage)		120 ms	
Reaction time from end spool stroke to neutral position (constant voltage)		90 ms	
Grade of enclosure to IEC 529, with female connector		IP 65	

Electrical connections for MSPF-MHPF-HCK working sections, see page: E-2



## MHOF

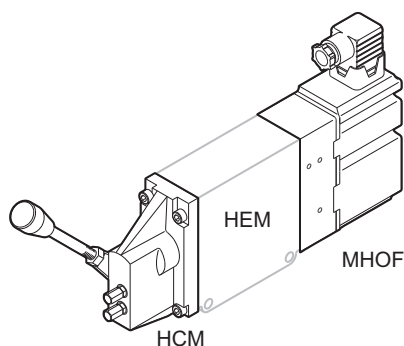
### MHOF electrohydraulic ON-OFF module

The MHOF electrohydraulic module moves the spool in relation to an electric signal generated by the joystick or by a switch.

The hydraulic pressure generated by the on-off solenoid valves forces the spool not to stop in any intermediate position between the neutral position and the maximum stroke.

Voltage	Code(Aluminum)
12 Vdc	<b>MHOF007707068</b>
24 Vdc	<b>MHOF007707070</b>

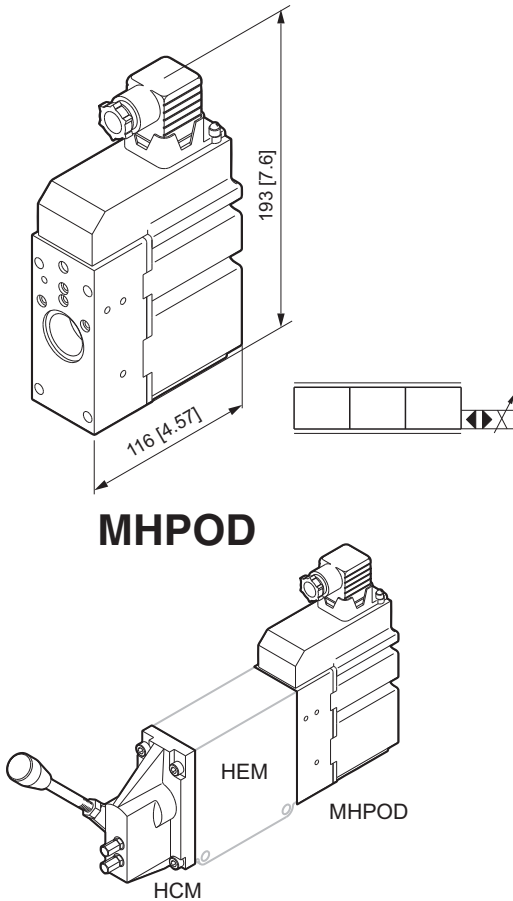
Aluminum body



Example with module MHOF and manual control HCM

Rated voltage	12 Vdc	24 Vdc
Power supply voltage range	11 to 15 V	21 to 28 V
Resistance at 20 °C [68 °F]	9.1 Ω	36.2 Ω
Current consumption	1480 mA	750 mA
Rated absorbed power	16 W	
Heat insulation	Class H, 180 °C [356 °F]	
Duty cycle	ED 100%	
Reaction time	From neutral position to max. spool travel	130 ms
	From max. spool travel to neutral position	110 ms
Max. operating temperature	80° C [176 °F]	
Ambient temperature	-30 ÷ +60 °C [-22 ÷ +140 °F]	
Connector	Standard (IP 65) according to DIN 43650 / ISO 4400	
Enclosure to IEC 529	IP 65	

Electrical connections for MHOF controls, see page: E-3



**MHPOD**

Example with module MHPOD and manual control HCM

**MHPOD electrohydraulic PROPORTIONAL module**

MHPOD is an open loop electrohydraulic activation unit, whose design is based on digital technology.

MHPOD has been specially developed to meet the harsh operating requirements of today's mobile machine market. MHPOD electrical open loop proportional actuation operates the main spool's shift according to an electrical signal coming from a remote control unit, and is recommended where a simple proportional control is required, and where hysteresis and reaction time are not critical.

MHPOD does not have the inductive position transceiver (LVDT) and any electronic circuit for faults monitoring. This means that any forces that override the pilot pressure spool forces may change the spool position with no error signal, and the safety of the whole system is left to the operator's visual control, only.

MHPOD is defined by:

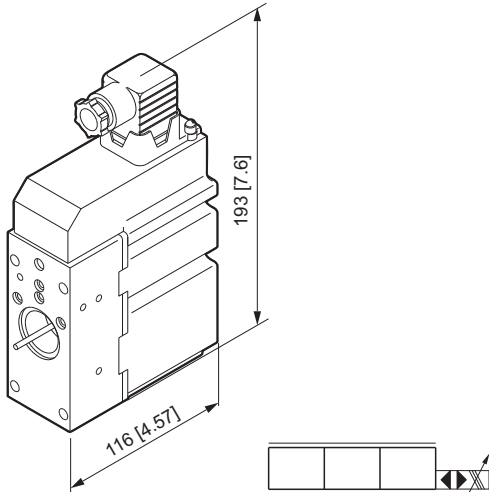
- Capacity to handle three different kinds of input signal control (see chart below).
- The required signal control is to be stated in the order phase
- Integrated PWM (Pulse Width Modulator)
- Good flow regulation
- Simple built-up.

Voltage	Input signal control		
	0.5 x U <sub>DC</sub> (A) joystick	0 ÷ 10 V <sub>DC</sub> (B) PLC	0 ÷ 20 mA (C) PLC
12 Vdc	MHPOD07708077	MHPOD07708082	MHPOD07708086
24 Vdc	MHPOD07708075	MHPOD07708084	MHPOD07708088

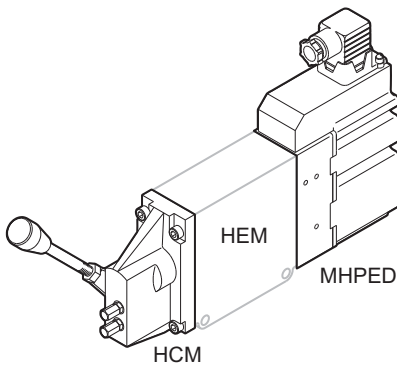
Aluminum body

Rated voltage		12 Vdc	24 Vdc
Power supply voltage range		11 ÷ 15 V	20 ÷ 28 V
Max. ripple		5 %	
Current supply		520 mA	260 mA
Current consumption (neutral position, constant voltage)		36 mA	46 mA
Power consumption		6 W	
Heat insulation		Class H 180 °C [256 °F]	
Reaction time (constant voltage)	From neutral position to max. spool travel	110 ÷ 140 ms	
	From max. spool travel to neutral position	70 ÷ 90 ms	
Reaction time (neutral switch)	From neutral position to max. spool travel	130 ÷ 170 ms	
	From max. spool travel to neutral position	70 ÷ 90 ms	
Connector		Standard (IP 65) according to DIN 43650 / ISO 4400	
Enclosure to IEC 529		IP 65	
(A) joystick	Input signal control	Neutral position	0.5 x U <sub>DC</sub>
		Control range	0.25 x U <sub>DC</sub> to 0.75 x U <sub>DC</sub>
	Max. current signal control		0.5 mA
Input impedance in relation to 0.5 x U <sub>DC</sub>		12 kΩ	
(B) PLC	Input signal control	Voltage	0 ÷ 10 V <sub>DC</sub>
		Neutral position	5 V <sub>DC</sub>
		Control range	0.25 x 10 V <sub>DC</sub> to 0.75 x 10 V <sub>DC</sub>
Current signal control		0.5 mA	
Input impedance in relation to 0 ÷ 10 V <sub>DC</sub>		20 kΩ	
(C) PLC	Input signal control	Current	0 ÷ 20 mA
		Neutral position	10 mA
		Control range	0.25 x 20 mA to 0.75 x 20 mA
Input impedance in relation to 0 ÷ 20 mA		0.5 kΩ	

Electrical connections for MHPOD controls, see page: E-4



**MHPED**



Example with module MHPED and manual control HCM

**MHPED electrohydraulic PROPORTIONAL module**

MHPED is a closed loop electrohydraulic activation unit, whose design is based on digital technology. MHPED has been specially developed to meet the harsh operating requirements of today's mobile machine market.

MHPED electrical closed loop proportional actuation operates safely and precisely the main spool's shift according to an electrical signal coming from a remote control unit, and is recommended where precise metering control, low hysteresis, fault monitoring, and fast system reaction are paramount.

The input signal, by means of the PCB and the two reducing proportional solenoid valves, is converted into a low pilot pressure which in turn moves the HPV's spool.

The inductive transducer position (LVDT) ensures that the spool is being moved in the correct position, otherwise, in the event of uncontrolled spool positioning, the feed-back signal will detect it as an error and it will fast react operator independent (fault monitoring system, see diagrams in the following pages).

MHPED is defined by:

- Capacity to handle three different kinds of input signal control (see chart below). The required signal control is to be stated in the order phase.
- Inductive transducer position, LVDT (Linear Variable Differential Transformer)
- Integrated PWM (Pulse Width Modulator)
- Fault monitoring, transistor output for signal source
- Excellent regulation
- Low hysteresis
- Short reaction time

Thanks to the developments in digital electronics, it has been possible to integrate in the MHPED modules, besides all the algorithms needed for the spool movement control, also a wide range of advanced circuits above all conceived for the safety and handling of complete systems.

The use of the module in the **passive or active version** allows the electrohydraulic system to be obtained with different safety degrees, for the choice of which it is essential to know the required functions exactly.

Once this condition has been fulfilled, and work is going on in the area stated above, with the four examples described in the following pages, we can always give you the best solution.

The diagrams represents just a few possibilities, advised by experience, of how the assesment of degree of protection system ought always to be made. This does not mean that considering the enormity of the subject and need for ever-increasing flexibility and performance of the industrial machinery with tighter and tighter safety rules, custom-built solutions can not be taken into account.

**Active version**

Voltage	Input signal control		
	0.5 x U <sub>dc</sub> (A) joystick	0 ÷ 10 V <sub>dc</sub> (B) PLC	0 ÷ 20 mA (C) PLC
12 Vdc	MHPED07708011	MHPED07708018	MHPED07708026
24 Vdc	MHPED07708010	MHPED07708020	MHPED07708028

**Passive version**

Voltage	Input signal control		
	0.5 x U <sub>dc</sub> (A) joystick	0 ÷ 10 V <sub>dc</sub> (B) PLC	0 ÷ 20 mA (C) PLC
12 Vdc	MHPED07708009	MHPED07708022	MHPED07708030
24 Vdc	MHPED07708007	MHPED07708024	MHPED07708032

Aluminum body

Electrical connections for MHPED controls, see page: E-5

HPV 77



Rated voltage		12 Vdc	24 Vdc
Power supply voltage range		11 ÷ 15 V	20 ÷ 28 V
Max. ripple		5 %	
End stroke spool current consumption		520 mA	260 mA
Current consumption (neutral position, constant voltage)		36 mA	46 mA
Power consumption		6 W	
Heat insulation		Class H 180 °C [356 °F]	
Fault monitoring system	Max. current on safety output (pin no. 3, page D-5)	50 mA	
	Reaction time at fault	550 ms	
Reaction time (constant voltage)	From neutral position to max. spool travel	110 ÷ 140 ms	
	From max. spool travel to neutral position	70 ÷ 90 ms	
Reaction time (neutral switch)	From neutral position to max. spool travel	130 ÷ 170 ms	
	From max. spool travel to neutral position	70 ÷ 90 ms	
Connector		Standard (IP 65) according to DIN 43650 / ISO 4400	
Enclosure to IEC 529		IP 65	
<b>(A)</b> joystick	Input signal control	Neutral position	0.5 x UDC
		Control range	0.25 x UDC ÷ 0.75 x UDC
	Max. current signal control	0.5 mA	1 mA
	Input impedance in relation to 0.5 x UDC		12 kΩ
<b>(B)</b> PLC	Input signal control	Voltage	0 ÷ 10 VDC
		Neutral position	5 VDC
		Control range	0.25 x 10 VDC ÷ 0.75 x 10 VDC
	Current signal control	0.5 mA	
Input impedance in relation to 0 ÷ 10 VDC		20 kΩ	
<b>(C)</b> PLC	Input signal control	Current	0 ÷ 20 mA
		Neutral position	10 mA
		Control range	0.25 x 20 mA ÷ 0.75 x 20 mA
	Input impedance in relation to 0 ÷ 20 mA		0.5 kΩ

HPV 77

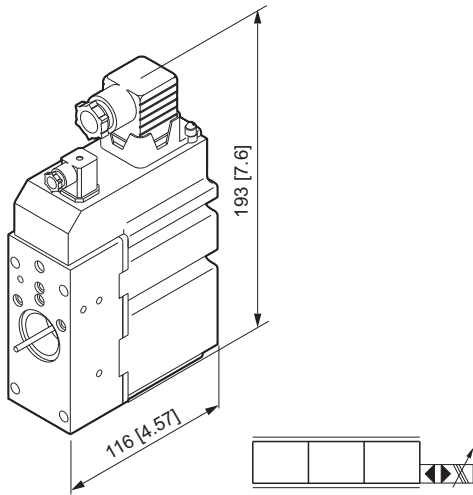
### MHPED (active version) modules behaviour in relation to the signal control

UDC	Signal control	Ground	Safety output (pin no. 3)	Effect
24 V	12 V (50% of UDC)	Connected	No output	Spool held electrically in neutral position
24 V	6 V (25% of UDC)	Connected	No output	Full flow P → A
24 V	18 V (75% of UDC)	Connected	No output	Full flow P → B
24 V	20.4 V (85% of UDC)	Connected	Output	Spool stays in neutral position (red light comes on)
24 V	21.6 V (90% of UDC)	Connected	Output	Spool stays in neutral position (red light comes on)
24 V	24 V (100% of UDC)	Connected	Output	Spool stays in neutral position (red light comes on)
24 V	0 V (0% of UDC) selected	Connected	Output	Spool stays in neutral position (red light comes on)
24 V	0 V (0% of UDC) interrupted	Connected	Output	Spool stays in neutral position (red light comes on)
24 V	1 V (4% of UDC)	Connected	Output	Spool stays in neutral position (red light comes on)
0 V	15.6 V (65% of UDC)	Connected	No output	Spool stays in neutral position (no light)
24 V	15.6 V (65% of UDC)	Disconnected	No output	Spool stays in neutral position (no light)

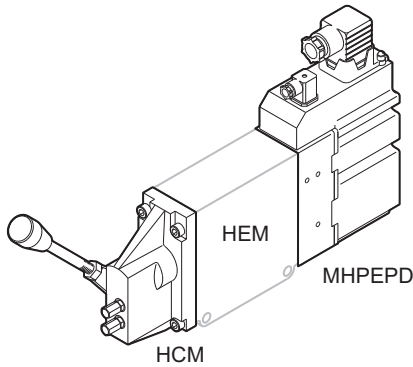
With the same data, given in percentages, the behaviour of the module is equal to the 12 VDC, 0 ÷ 20 mA and 0 ÷ 10 V also.

No. of flashes	Cause
1	LVDT outside of its own position
2	The demanded spool position doesn't correspond to the input signal
3	LVDT is broken
4	Short circuit in the output signal for direction indicator (MHPEDP)
5	Internal electrical faults
6	Short circuit in the proportional solenoid valves
7	Short circuit in the warning output signal (pin no. 3)
8	Input signal control exceeds min. / max. values (15% ÷ 85% of supply voltage)

When an error state is detected the lamp of the module starts flashing red, and the number of flashes indicates the probable cause of failure.



## MHPEPD



Example with module MHPEPD and manual control HCM

### MHPEPD electrohydraulic PROPORTIONAL module

MHPEPD closed loop electrohydraulic proportional activation unit is the most advanced version of the closed loop control modules.

MHPEPD is defined by:

- Spool direction indicator output;
- Capacity to handle three different kinds of input signal control. The required signal control is to be stated in the order phase;
- Inductive transducer position, LVDT (Linear Variable Differential Transformer);
- Integrated PWM (Pulse Width Modulator);
- Fault monitoring, transistor output for signal source;
- Excellent regulation;
- Low hysteresis;
- Short reaction time.

Besides the afore mentioned features, another purpose of the module is to give an indication of the spool's movement, through an on/off output signal in the smaller connector (also when the spool is manually activated).

The diagrams on page E-11 show an example of how the direction output can be handled to activate or deactivate the Ls on/off pilot solenoid valve by means of the two relay (K1 - K2) and two electrical end of strokes.

This is just an example, as the use of MHPEPD is also destined for more demanding surroundings, that is solutions using artificial intelligence which dialogue at the higher level via bus, and which realize a real distributed control system able to carry out "stand-alone" processes.

This in turn send to the raised level only that information read as "positive" for the safe handling of machine. All the electrohydraulics features, performance, and choice of safety degree system, are the same of those already described for the MHPEPD module.

#### Active version

Voltage	Input signal control		
	0.5 x U <sub>dc</sub> (A) joystick	0 ÷ 10 V <sub>dc</sub> (B) PLC	0 ÷ 20 mA (C) PLC

#### Versione attiva

12 Vdc	MHPEPD7708048	MHPEPD7708058	MHPEPD7708066
24 Vdc	MHPEPD7708047	MHPEPD7708060	MHPEPD7708068

#### Passive version

Voltage	Input signal control		
	0.5 x U <sub>dc</sub> (A) joystick	0 ÷ 10 V <sub>dc</sub> (B) PLC	0 ÷ 20 mA (C) PLC
12 Vdc	MHPEPD7708046	MHPEPD7708054	MHPEPD7708062
24 Vdc	MHPEPD7708045	MHPEPD7708056	MHPEPD7708064

Aluminum body

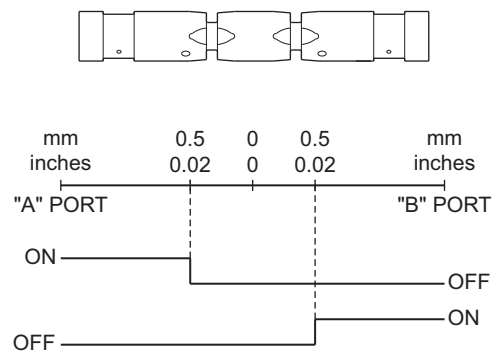
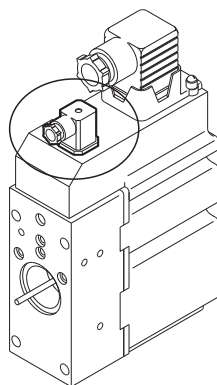
Electrical connections for MHPEPD working sections, see page: E-11

Rated voltage		12 Vdc	24 Vdc
Power supply voltage range		11 ÷ 15 V	20 ÷ 28 V
Max. ripple		5 %	
End stroke spool current consumption		520 mA	260 mA
Current consumption (neutral position, constant voltage)		36 mA	46 mA
Power consumption		6 W	
Heat insulation		Class H 180 °C [356 °F]	
Fault monitoring system	Max. current on safety output (pin no. 3)	50 mA	
	Reaction time at fault	550 ms	
Max. current output signal for indication actuating direction		50 mA	
Reaction time (constant voltage)	From neutral position to max. spool travel	110 ÷ 140 ms	
	From max. spool travel to neutral position	70 ÷ 90 ms	
Reaction time (neutral switch)	From neutral position to max. spool travel	130 ÷ 170 ms	
	From max. spool travel to neutral position	70 ÷ 90 ms	
Connectors		Standard (IP 65) according to DIN 43650 / ISO 4400 Spool direction indicator output (IP 65) according to DIN 40050	
Enclosure to IEC 529		IP 65	

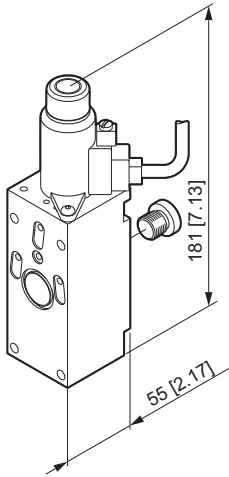
<b>(A)</b> joystick	Input signal control	Neutral position	0.5 x UDC	
		Control range	0.25 x UDC ÷ 0.75 x UDC	
	Max. current signal control		0.5 mA	1 mA
	Input impedance in relation to 0.5 x UDC		12 kΩ	
<b>(B)</b> PLC	Input signal control	Voltage	0 ÷ 10 VDC	
		Neutral position	5 VDC	
		Control range	0.25 x 10 VDC ÷ 0.75 x 10 VDC	
	Current signal control		0.5 mA	
Input impedance in relation to 0 ÷ 10 VDC		20 kΩ		
<b>(C)</b> PLC	Input signal control	Current	0 ÷ 20 mA	
		Neutral position	10 mA	
		Control range	0.25 x 20 mA ÷ 0.75 x 20 mA	
	Input impedance in relation to 0 ÷ 20 mA		0.5 kΩ	

HPV 77

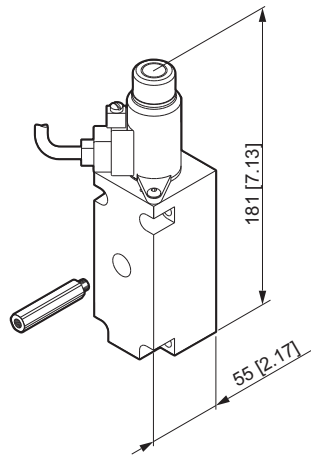
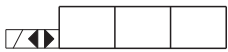
### Spool direction signals



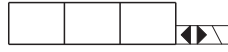
PIN	Center position	Movement to A port	Movement to B port
1	free	free	free
2	no output	Udc (+)	no output
3	no output	no output	Udc (+)
4	To get the manual control this pin must be feeded with the supply voltage. To get the remote control the supply voltage must be taken off from this pin.		



**MHOXA**



**MHOXB**



**MHOX electro-hydraulic ON/OFF operated**

The MHOXA and MHOXB modules are electro-hydraulics ON/OFF devices that allows the primary hydraulic state (HEM) to be monitored at a distance by means of an electric signal.

**Single acting for A or B ports:**

**MHOXA:** the distribution spool in the HEM element is moved onto port B by a manual HCM command and onto port A by the side MHOXA module.

**MHOXB:** the distribution spool in the HEM element is moved onto port A by a manual HCM command and onto port B by the side MHOXB module

**Double acting for A and B ports:**

The MHOXA and MHOXB modules can be coupled in order to activate both modules by means of the remote control. The operating principle is similar to that of the two separate modules, with the V1 and V2 solenoid valves that, alternatively, can adjust the pilot pressure on the distribution spool.

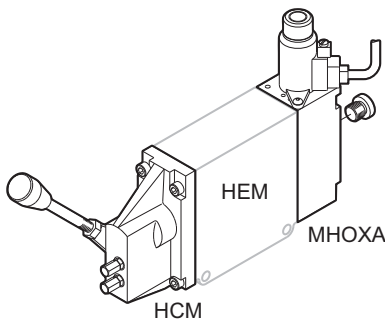
HCM/HCF cast iron modules must be used.

Voltage	Code	
	Port A	Port B
12 Vdc	<b>MHOXA07707192</b>	<b>MHOXB07707194</b>
24 Vdc	<b>MHOXA07707193</b>	<b>MHOXB07707195</b>

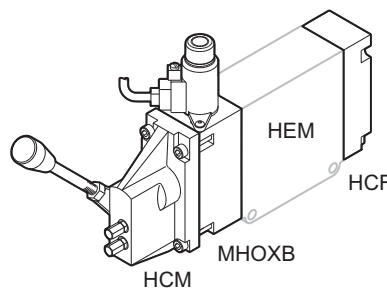
Cast iron body

ATEX electro-hydraulic modules for HPV features and safety instructions see page A-3.

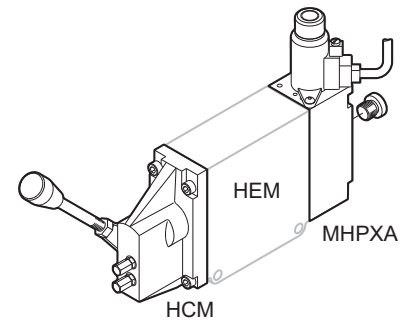
For the wiring diagram of module, please refer to Instruction manual.



Example with module MHOXA, single acting for A port



Example with module MHOXA, single acting for A port



Example with moduli MHOXA-MHOXB, double acting for A and B ports



Nominal voltage	12 Vdc	24 Vdc
Coil resistance, R20	9 Ω ± 6 %	35.8 Ω ± 6 %
Min. current	700 mA	350 mA
Rated current	1330 mA	670 mA
Max. current	1850 mA	930 mA
Limit power	14.3 W	14.4 W
Ambient temperature	-20 ÷ +50 °C [-4 ÷ +122 °F]	
Connection cable	FL4G11Y - 3 x 1.5 mm <sup>2</sup> [3 x 15 AWG ] L = 5-5.1 mt [197-201 inch]	
Integrated diode to limit switch-off overvoltage	See coil manufacturer manual	
Short-circuit protection	With fuse - See coil manufacturer manual	
Duty cycle	100%	
Input pressure	Max. 50 bar [725 psi]	
Switching pressure	>23 bar [334 psi]	
Fluid temperature	-20 ÷ +80 °C [-4 ÷ +176 °F]	
Ground connection	Up to 4 mm <sup>2</sup> - 11 AWG	
Protection class (DIN VDE 0580)	I	
Fluids	Hydraulic oil to DIN 51524.ATF-oil	
Protection ratings (DIN VDE 0470 / EN 60529)	IP67 / IP69K	
Shock-resistance to EN 50014	4 J	

### Hydraulic features

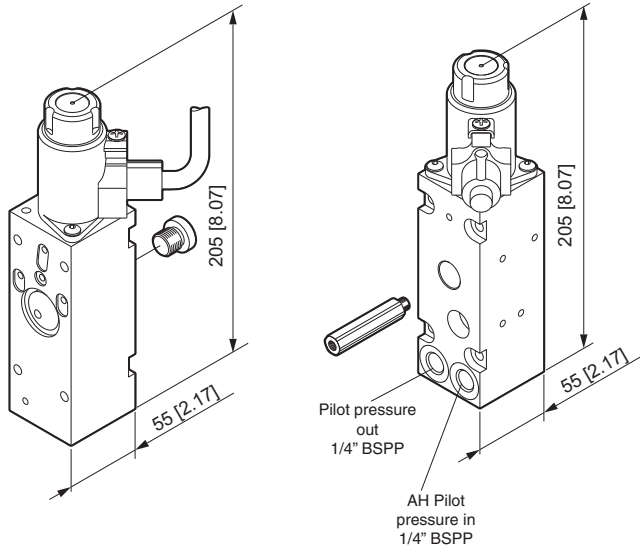
Max pilot pressure oil supply	30 bar [435 psi]
Start spool flow	4.5 bar [65 psi]
End spool flow	15 bar [218 psi]

### HEM module hydraulic data

Max pressure (static - input)	350 bar [5076 psi]
Max flow	130 l/min [34.3 US gpm]

### ATEX modules marking

MHOX on complete proportional valve with or without HSEVX valve		II GD C T4 / T135°C T <sub>amb</sub> = -20°C ÷ +50°C T <sub>fluid</sub> = -20°C ÷ +80°C p max HEM = 350 bar
MHOX individually supplied		II GD C T4 / T135°C T <sub>amb</sub> = -20°C ÷ +50°C T <sub>fluid</sub> = -20°C ÷ +80°C
Solenoids mounted on MHOX modules		II GEx mb II T4 II D Ex mbD 21 T130°C T <sub>amb</sub> = -20°C ÷ +50°C T <sub>fluid</sub> = -20°C ÷ +80°C



**MHOXAH**

**MHOXBH**



**MHOXAH - MHOXBH electro-hydraulic ON/OFF operated and hydraulic activation**

The MHOXAH and MHOXBH modules are electro-hydraulics ON/OFF devices that allows the primary hydraulic state (HEM) to be monitored at a distance by means of both an electric signal and hydraulic control.

Especially designed for those applications where the HPV (distributor) proportional valves must be controlled with a double remote control (electric and hydraulic). The module maintains the same electrical characteristics already described for the MHOXA / MHOXB modules. The value of the pilot pressure of the hydraulic control (coming from hydraulic manipulators) must be included between 3.5 bar and 28 bar [51 and 406 psi].

The distribution spool is positioned precisely by the hydraulic pressure generated by the hydraulic manipulator or, alternatively, by the solenoid valve V1 proportionally with an electric signal generated by the remote control. The solenoid valve and the hydraulic manipulator are fed by an internal line P at a pressure ranging between 20 and 35 bar [290 and 507 psi], while the discharges are gathered in line T.

**Single acting for A or B ports:**

**MHOXAH:** the distribution spool in the HEM element is moved onto the B port by means of a manual control HCM and onto port A by the side MHOXAH module.

**MHOXBH:** the distribution spool in the HEM element is moved onto the B port by means of a manual control HCM and onto port B by the side MHOXBH module.

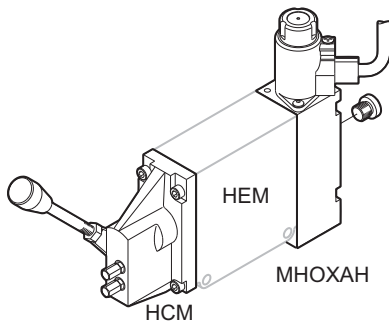
**Double acting for A and B ports:**

The MHOXAH and MHOXBH modules can be coupled in order to activate both modules by means of the remote control. The operating principle is similar to that of the two separate modules, with the V1 and V2 solenoid valves that, alternatively, can adjust the pilot pressure on the distribution spool.

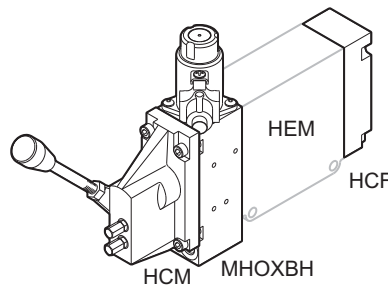
HCM/HCF cast iron modules must be used.

Voltage	Code	
	Port A	Port B
12 Vdc	<b>MHOXAH7707392</b>	<b>MHOXBH7707394</b>
24 Vdc	<b>MHOXAH7707393</b>	<b>MHOXBH7707395</b>

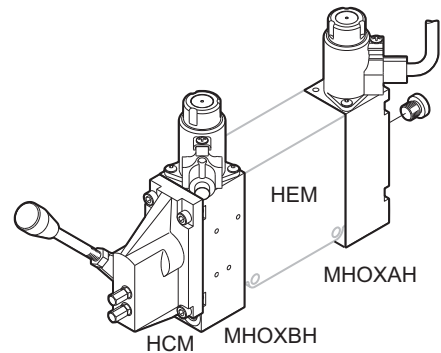
Cast iron body  
Hydraulic command outputs 1/4" BSPP.



Example with module MHOXAH, single acting for A port



Example with module MHOXBH, single acting for A port



Example with moduli MHOXAH-MHOXBH, double acting for A and B ports



Nominal voltage	12 Vdc	24 Vdc
Coil resistance, R20	9 Ω ± 6 %	35.8 Ω ± 6 %
Min. current	700 mA	350 mA
Rated current	1330 mA	670 mA
Max. current	1850 mA	930 mA
Limit power	14.3 W	14.4 W
Ambient temperature	-20 ÷ +50 °C [-4 ÷ +122 °F]	
Connection cable	FL4G11Y - 3 x 1.5 mm <sup>2</sup> [3 x 15 AWG ] L = 5-5.1 mt [197-201 inch]	
Integrated diode to limit switch-off overvoltage	See coil manufacturer manual	
Short-circuit protection	With fuse - See coil manufacturer manual	
Duty cycle	100%	
Input pressure	Max. 50 bar [725 psi]	
Switching pressure	>23 bar [334 psi]	
Fluid temperature	-20 ÷ +80 °C [-68 ÷ +176 °F]	
Ground connection	Up to 4 mm <sup>2</sup> - 11 AWG	
Protection class (DIN VDE 0580)	I	
Fluids	Hydraulic oil to DIN 51524.ATF-oil	
Protection ratings (DIN VDE 0470 / EN 60529)	IP67 / IP69K	
Shock-resistance to EN 50014	4 J	

### Hydraulic features

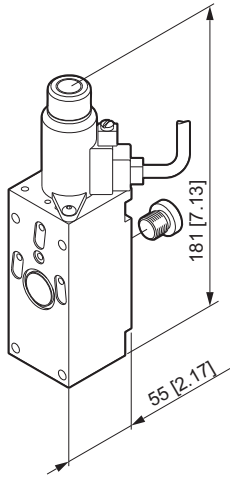
Max pilot pressure oil supply	30 bar [435 psi]
Start spool flow	4.5 bar [65 psi]
End spool flow	15 bar [218 psi]

### HEM module hydraulic data

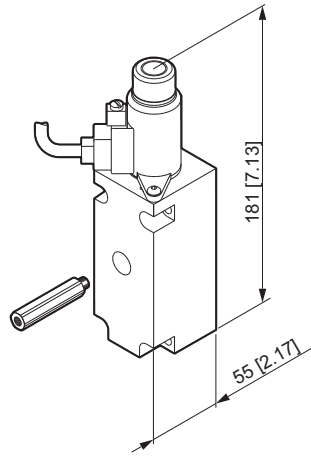
Max pressure (static - input)	350 bar [5076 psi]
Max flow	130 l/min [34.3 US gpm]

### ATEX modules marking

MHOX on complete proportional valve with or without HSEVX valve		II GD C T4 / T135°C T <sub>amb</sub> = -20°C ÷ +50°C T <sub>fluid</sub> = -20°C ÷ +80°C p max HEM = 350 bar
MHOX individually supplied		II GD C T4 / T135°C T <sub>amb</sub> = -20°C ÷ +50°C T <sub>fluid</sub> = -20°C ÷ +80°C
Solenoids mounted on MHOX modules		II GEx mb II T4 II D Ex mbD 21 T130°C T <sub>amb</sub> = -20°C ÷ +50°C T <sub>fluid</sub> = -20°C ÷ +80°C



**MHPXA**



**MHPXB**



**MHPXA/MHPXB electro-hydraulic PROPORTIONAL operated**

The MHPXA and MHPXB modules are electro-hydraulics proportional devices that allows the primary hydraulic state (HEM) to be monitored at a distance by means of an electric signal.

**Single acting for A or B ports:**

**MHPXA:** the distribution spool in the HEM element is moved onto port B by a manual HCM command and onto port A by the side MHPXA module.

**MHPXB:** the distribution spool in the HEM element is moved onto port A by a manual HCM command and onto port B by the side MHPXB module .

**Double acting for A and B ports:**

The MHPXA and MHPXB modules can be coupled in order to activate both modules by means of the remote control. The operating principle is similar to that of the two separate modules, with the V1 and V2 solenoid valves that, alternatively, can adjust the pilot pressure on the distribution spool.

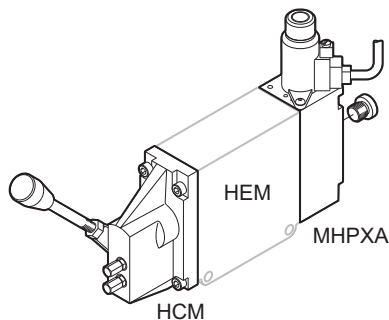
HCM/HCF cast iron modules must be used.

Voltage	Code	
	Port A	Port B
12 Vdc	<b>MHPXA07707182</b>	<b>MHPXB07707184</b>
24 Vdc	<b>MHPXA07707183</b>	<b>MHPXB07707185</b>

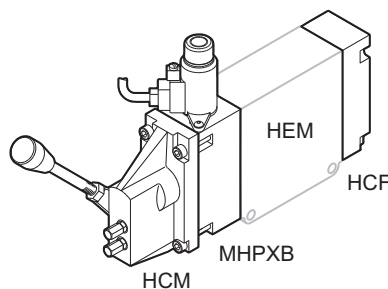
Cast iron body

ATEX electro-hydraulic modules for HPV features and safety instructions see page A-3.

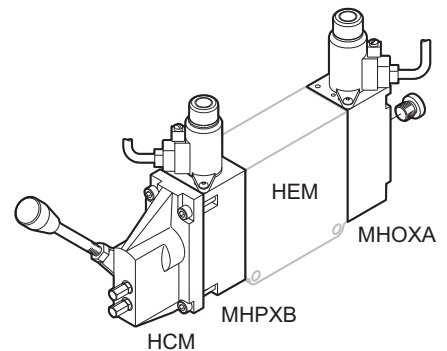
For the wiring diagram of module, please refer to Instruction manual.



Example with module MHPXA, single acting for A port



Example with module MHPXA, single acting for A port



Example with moduli MHPXA-MHPXB, double acting for A and B ports





Nominal voltage	12 Vdc	24 Vdc
Voltage range	11 ÷ 15 Vdc	22 ÷ 28 Vdc
Coil resistance, R20	4.3 Ω	15.3 Ω
Rated current, I <sub>N</sub>	1360 mA	686 mA
Max. current regulation range	0 ÷ 1500 mA	0 ÷ 750 mA
Max. power	14.8 W	12.8 W
Start spool travel	490 mA	240 mA
Start spool flow	510 mA	260 mA
End spool travel	875 mA	500 mA
Pilot pressure	28 bar [406 psi]	
Power supply	PWM 100 Hz	
Max. pressure (static)	50 bar [725 psi]	
Ambient temperature	-20 ÷ +50 °C [-4 ÷ +122 °F]	
Fluid temperature	-20 ÷ +80 °C [-4 ÷ +176 °F]	
Connection cable	FL4G11Y - 3 x 1.5 mm <sup>2</sup> [3 x 15 AWG ] L = 5-5.1 mt [197-201 inch]	
Integrated diode to limit switch-off overvoltage	See coil manufacturer manual	
Short-circuit protection	With fuse - See coil manufacturer manual	
Ground connection	Up to 4 mm <sup>2</sup> - 11 AWG	
Fluids	Hydraulic oil to DIN 51524.ATF-oil	
Grade of enclosure (DIN VDE 0470 / EN 60529)	IP67 / IP69K	
Shock-resistance to EN 50014	4 J	

### Hydraulic features

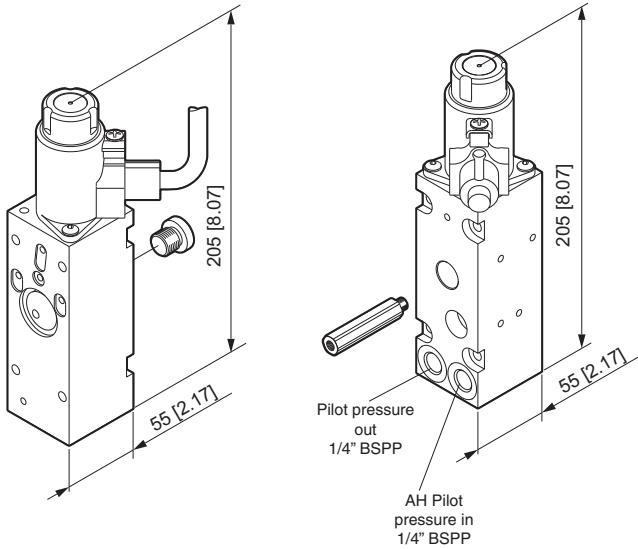
Max pilot pressure oil supply	30 bar [435 psi]
Start spool flow	4.5 bar [65 psi]
End spool flow	15 bar [218 psi]

### HEM module hydraulic data

Max pressure (static - input)	350 bar [5076 psi]
Max flow	130 l/min [34.3 US gpm]

### ATEX modules marking

MHPX on complete proportional valve with or without HSEVX valve		II GD C T4 / T135°C T <sub>amb</sub> = -20°C ÷ +50°C T <sub>fluid</sub> = -20°C ÷ +80°C p max HEM = 350 bar
MHPX individually supplied		II GD C T4 / T135°C T <sub>amb</sub> = -20°C ÷ +50°C T <sub>fluid</sub> = -20°C ÷ +80°C
Solenoids mounted on MHPX modules		II GEx mb II T4 II D Ex mbD 21 T130°C T <sub>amb</sub> = -20°C ÷ +50°C T <sub>fluid</sub> = -20°C ÷ +80°C



**MHPXAH**

**MHPXBH**



**MHPXAH electro-hydraulic PROPORTIONAL operated and hydraulic activation**

The MHPXAH and MHPXBH modules are electro-hydraulics proportional devices that allows the primary hydraulic state (HEM) to be monitored at a distance by means of both an electric signal and hydraulic control.

Especially designed for those applications where the HPV (distributor) proportional valves must be controlled with a double remote control (electric and hydraulic). The module maintains the same electrical characteristics already described for the MHPXA / MHPXB modules. The value of the pilot pressure of the hydraulic control (coming from hydraulic manipulators) must be included between 3.5 bar and 28 bar [51 and 406 psi].

The distribution spool is positioned precisely by the hydraulic pressure generated by the hydraulic manipulator or, alternatively, by the solenoid valve V1 proportionally with an electric signal generated by the remote control. The solenoid valve and the hydraulic manipulator are fed by an internal line P at a pressure ranging between 20 and 35 bar [290 and 507 psi], while the discharges are gathered in line T.

**Single acting for A or B ports:**

**MHPXAH:** the distribution spool in the HEM element is moved onto the B port by means of a manual control and onto port A by the side MHPXAH module.

**MHPXBH:** , the distribution spool in the HEM element is moved onto the A port by means of a manual control and onto port B by the side MHPXBH module.

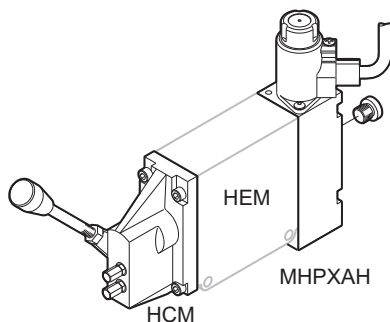
**Double acting for A and B ports:**

The MHPXAH and MHPXBH modules can be coupled in order to activate both modules by means of the remote control. The operating principle is similar to that of the two separate modules, with the V1 and V2 solenoid valves that, alternatively, can adjust the pilot pressure on the distribution spool.

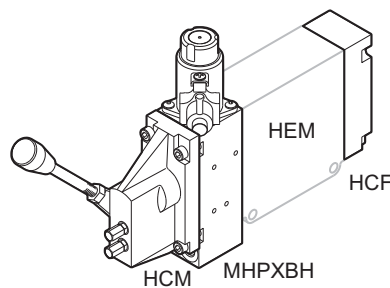
HCM/HCF cast iron modules must be used.

Voltage	Code	
	Port A	Port B
12 Vdc	<b>MHPXAH7707382</b>	<b>MHPXBH7707384</b>
24 Vdc	<b>MHPXAH7707383</b>	<b>MHPXBH7707385</b>

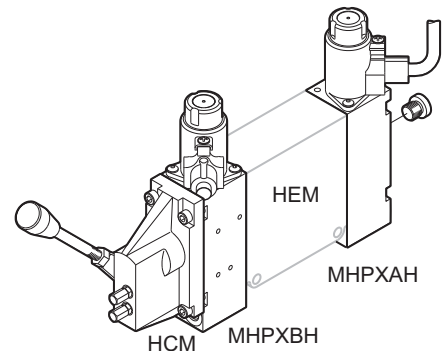
Cast iron body  
Hydraulic command outputs 1/4" BSPP.



Example with module MHPXAH, single acting for A port



Example with module MHPXBH, single acting for A port



Example with moduli MHPXAH-MHPXBH, double acting for A and B ports

HPV 77

ATEX electro-hydraulic modules for HPV features and safety instructions see page A-3.

For the wiring diagram of module, please refer to Instruction manual.



Nominal voltage	12 Vdc	24 Vdc
Voltage range	11 ÷ 15 Vdc	22 ÷ 28 Vdc
Coil resistance, R20	4.3 Ω	15.3 Ω
Rated current, I <sub>N</sub>	1360 mA	686 mA
Max. current regulation range	0 ÷ 1500 mA	0 ÷ 750 mA
Max. power	14.8 W	12.8 W
Start spool travel	490 mA	240 mA
Start spool flow	510 mA	260 mA
End spool travel	875 mA	500 mA
Pilot pressure	28 bar [406 psi]	
Power supply	PWM 100 Hz	
Max. pressure (static)	50 bar [725 psi]	
Ambient temperature	-20 ÷ +50 °C [-4 ÷ +122 °F]	
Fluid temperature	-20 ÷ +80 °C [-4 ÷ +176 °F]	
Connection cable	FL4G11Y - 3 x 1.5 mm <sup>2</sup> [3 x 15 AWG ] L = 5-5.1 mt [197-201 inch]	
Integrated diode to limit switch-off overvoltage	See coil manufacturer manual	
Short-circuit protection	With fuse - See coil manufacturer manual	
Ground connection	Up to 4 mm <sup>2</sup> - 11 AWG	
Fluids	Hydraulic oil to DIN 51524.ATF-oil	
Grade of enclosure (DIN VDE 0470 / EN 60529)	IP67 / IP69K	
Shock-resistance to EN 50014	4 J	

### Hydraulic features

Max pilot pressure oil supply	30 bar [435 psi]
Start spool flow	4.5 bar [65 psi]
End spool flow	15 bar [218 psi]

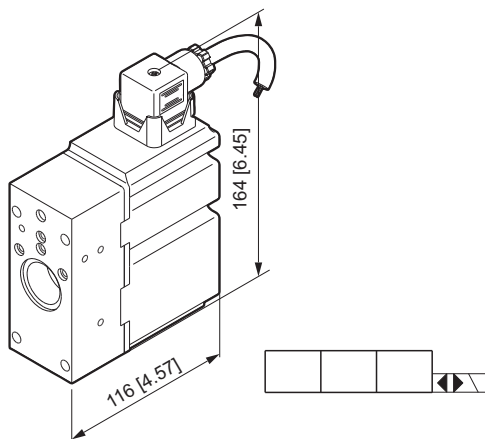
### HEM module hydraulic data

Max pressure (static - input)	350 bar [5076 psi]
Max flow	130 l/min [34.3 US gpm]

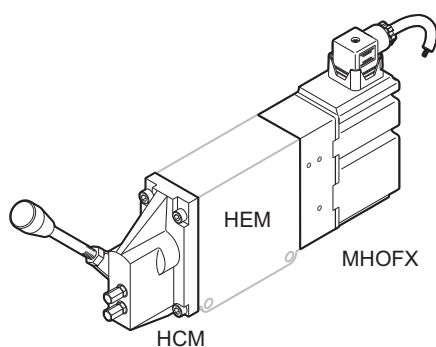
### ATEX modules marking

MHPX on complete proportional valve with or without HSEVX valve		II GD C T4 / T135°C T <sub>amb</sub> = -20°C ÷ +50°C T <sub>fluid</sub> = -20°C ÷ +80°C p max HEM = 350 bar
MHOX individually supplied		II GD C T4 / T135°C T <sub>amb</sub> = -20°C ÷ +50°C T <sub>fluid</sub> = -20°C ÷ +80°C
Solenoids mounted on MHPX modules		II GEx mb II T4 II D Ex mbD 21 T130°C T <sub>amb</sub> = -20°C ÷ +50°C T <sub>fluid</sub> = -20°C ÷ +80°C

HPV 77



### MHOFX



Example with module MHOFX and manual control HCM

#### MHOF electrohydraulic ON-OFF module

The MHOF electrohydraulic module moves the spool in relation to an electric signal generated by the joystick or by a switch.

The hydraulic pressure generated by the on-off solenoid valves forces the spool not to stop in any intermediate position between the neutral position and the maximum stroke

#### Standard connector

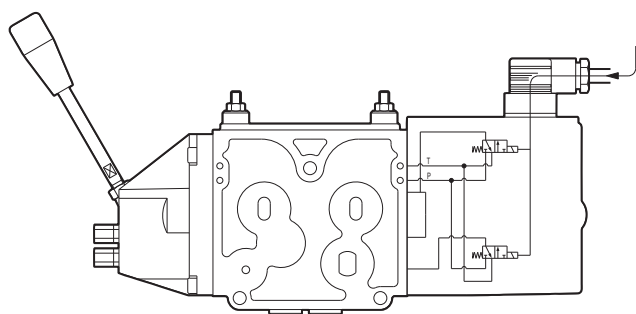
Voltage	Code
12 Vdc	MHOFX077E7060
24 Vdc	MHOFX077E7065

#### D-Type connector

Voltage	Code
12 Vdc	MHOFX077E7068
24 Vdc	MHOFX077E7070

Cast iron body

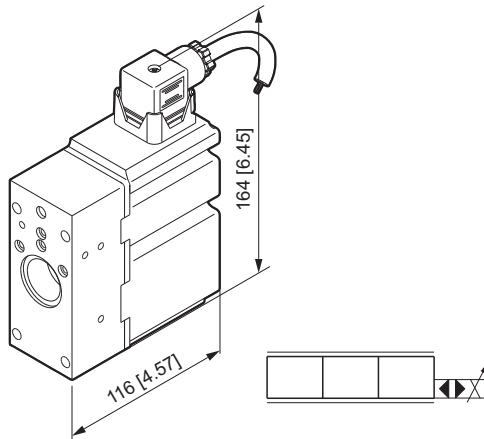
Rated voltage	12 Vdc	24 Vdc
Power supply voltage range	10.8 ÷ 13.2 V	21.6 ÷ 26.4 V
Resistance at 20 °C [68 °F]	9.2 Ω	34.8 Ω
Rated absorbed power	16 W	
Heat insulation	Class H, 180 °C [356 °F]	
Duty cycle	ED 100%	
Reaction time	From neutral position to max. spool travel	130 ms
	From max. spool travel to neutral position	110 ms
Ambient temperature	-35° ÷ 60 °C [-31 ÷ +140 °F]	
Connector	DIN 43650 / ISO 4400	
Connection cable	FL4G11Y - 3 x 1.5 mm <sup>2</sup> [3 x 15 AWG ] L = 5-5.1 mt [197-201 inch]	
Enclosure to IEC 529	IP 67	



ATEX marking	CE	Ex	II 2G Ex mb IIC T4 GB II 2D Ex mb IIIC T135 °C Db
IECEx marking	CE	Ex	Ex mb IIC T4 GB Ex mb IIIC T135 °C Db

ATEX electro-hydraulic modules for HPV features and safety instructions see page A-3.

For the wiring diagram of module, please refer to Instruction manual.



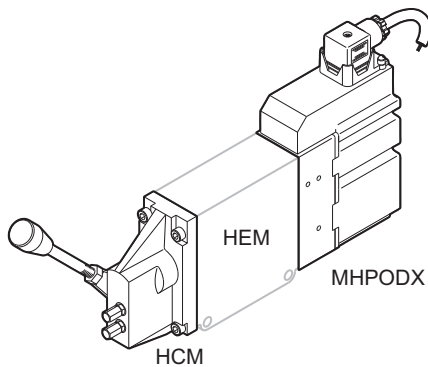
**MHPCX**

**MHPCX electrohydraulic PROPORTIONAL module**

MHPCX proportional electrohydraulic module shifts the position of the spool precisely in proportion to an electric current signal generated by the remote control.

The spool is shifted by means of the hydraulic pressure generated by the pressure-reduction proportional solenoid valves. The MHPCX module is not equipped with an inductive position transducer (LVDT) and the entire electronic circuit to detect and signal faults.

This means that in the joystick remote control phase, any control (for example a manual control) that overrides the force exerted by the pressure reduction valves on the spool, may vary the position of that spool without any error signal and without inhibition, leaving the safety of the entire hydraulic system to the visual operator control only.



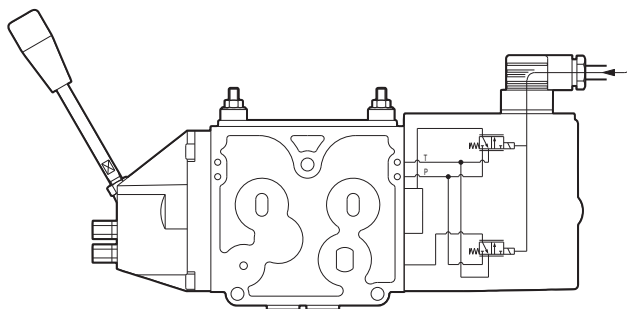
Example with module MHPCX and manual control HCM

Voltage	Code
12 Vdc	<b>MHPCX077E7067</b>
24 Vdc	<b>MHPCX077E7066</b>

Cast iron body

HPV 77

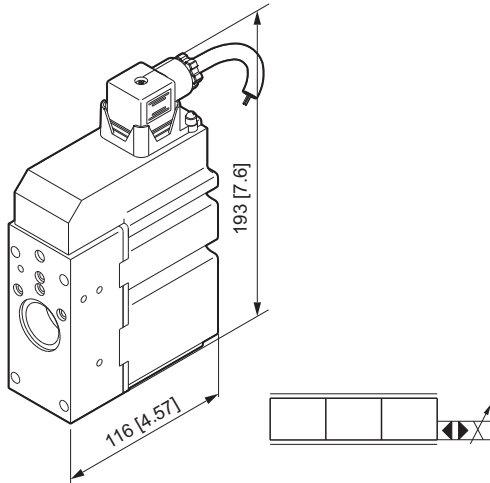
Rated voltage	12 Vdc	24 Vdc
Power supply voltage range	10.8 ÷ 13.2 V	21.6 ÷ 26.4 V
Resistance at 20 °C [68 °F]	9.2 Ω	34.8 Ω
Rated absorbed power	16 W	
Heat insulation	Class H, 180 °C [356 °F]	
Duty cycle	ED 100%	
Reaction time	From neutral position to max. spool travel	130 ms
	From max. spool travel to neutral position	110 ms
Ambient temperature	-35 ÷ +60 °C [-31 ÷ +140 °F]	
Connector	DIN 43650 / ISO 4400	
Connection cable	FL4G11Y - 3 x 1.5 mm <sup>2</sup> [3 x 15 AWG ] L = 5-5.1 mt [197-201 inch]	
Enclosure to IEC 529	IP 67	



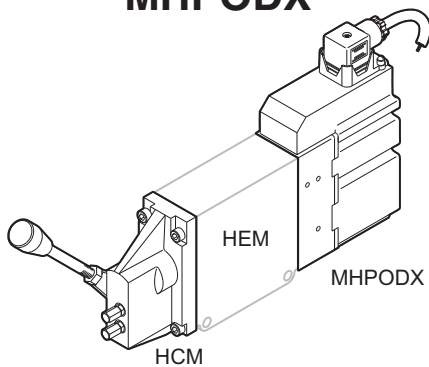
ATEX marking		II 2G Ex mb IIC T4 GB II 2D Ex mb IIIC T135 °C Db
IECEx marking		Ex mb IIC T4 GB Ex mb IIIC T135 °C Db

**ATEX electro-hydraulic modules for HPV features and safety instructions see page A-3.**

**For the wiring diagram of module, please refer to Instruction manual.**



### MHPODX



Example with module MHPODX and manual control HCM

#### MHPODX electrohydraulic PROPORTIONAL module

MHPODX is an open loop electrohydraulic activation unit, whose design is based on digital technology.

MHPODX has been specially developed to meet the harsh operating requirements of today's mobile machine market. MHPODX electrical open loop proportional actuation operates the main spool's shift according to an electrical signal coming from a remote control unit, and is recommended where a simple proportional control is required, and where hysteresis and reaction time are not critical.

MHPODX does not have the inductive position transceiver (LVDT) and any electronic circuit for faults monitoring. This means that any forces that override the pilot pressure spool forces may change the spool position with no error signal, and the safety of the whole system is left to the operator's visual control, only.

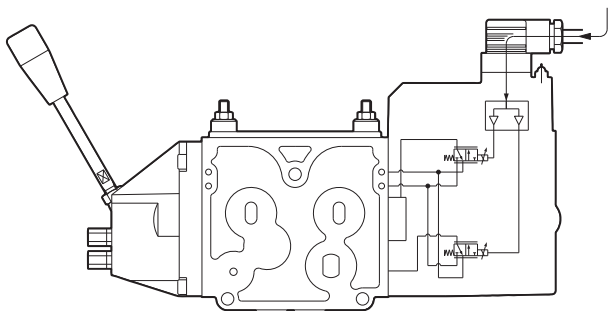
MHPODX is defined by:

- Capacity to handle three different kinds of input signal control (see chart below).
- The required signal control is to be stated in the order phase
- Integrated PWM (Pulse Width Modulator)
- Good flow regulation
- Simple built-up.

Voltage	Input signal control		
	0.5 x U <sub>bc</sub> (A) joystick	0 ÷ 10 V <sub>dc</sub> (B) PLC	0 ÷ 20 mA (C) PLC
12 Vdc	MHPODX77E8077	MHPODX77E8082	MHPODX77E8086
24 Vdc	MHPODX77E8075	MHPODX77E8084	MHPODX77E8088

Cast iron body

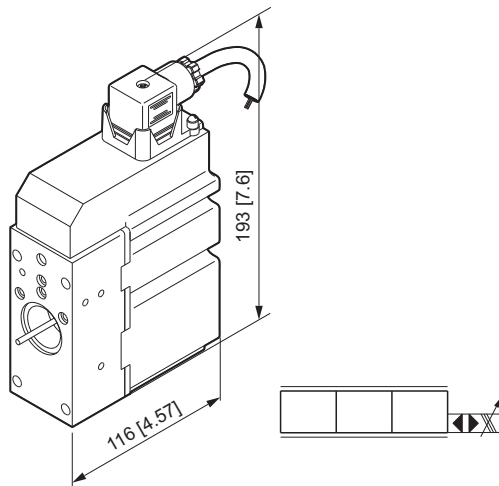
Rated voltage	12 V ± 10%	24 V ± 10%
Max. power consumption	6 W	
Analog control input (Us) to choose from:	Ratiometric 0.25xUDC ÷ 0.75xUDC	
	0 ÷ 10 V (available signal 2.5 ÷ 7.5 V)	
	0 ÷ 20 mA (available signal 5 ÷ 15 mA)	
Analog input impedance, ratiometric version, 0.25xUDC ÷ 0.75xUDC	12 kΩ	
Analog input impedance 0 ÷ 10 V version	10 kΩ	
Analog input impedance 0 ÷ 20 mA	500 Ω	
Spool positioning sensor	LVDT	
PWM outputs with current feedback	2	
PWM frequency	80 ÷ 250 Hz	
Max. current consumption	600 mA	330 mA
Error / Fault Message output (pin 3)	Max. Load 50 mA	
Working parameters setting	By software and serial interface	
Main electrical connection	3 pins Connector +PE	
Connection cable	FL4G11Y - 3 x 1.5 mm <sup>2</sup> [3 x 15 AWG] L = 5-5.1 mt [197-201 inch]	
Enclosure	IP67	
Ambient working temperature	-35 ÷ +60 °C [-31 ÷ +140 °F]	
EMC requirements	EN61000-6-2, EN61000-6-4	



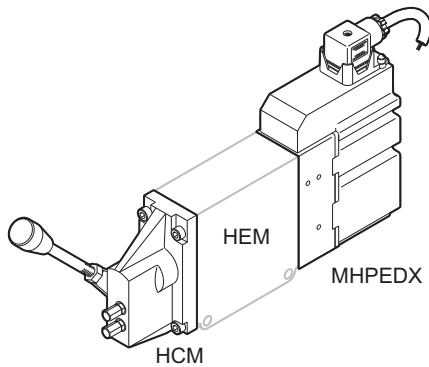
ATEX marking	II 2G Ex mb IIC T4 GB II 2D Ex mb IIIC T135 °C Db
IECEx marking	Ex mb IIC T4 GB Ex mb IIIC T135 °C Db

**ATEX electro-hydraulic modules for HPV features and safety instructions see page A-3.**

**For the wiring diagram of module, please refer to Instruction manual.**



## MHPEDX



Example with module MHPEDX and manual control HCM

### MHPEDX electrohydraulic PROPORTIONAL module

MHPEDX is a closed loop electrohydraulic activation unit, whose design is based on digital technology. MHPEDX has been specially developed to meet the harsh operating requirements of today's mobile machine market.

MHPEDX electrical closed loop proportional actuation operates safely and precisely the main spool's shift according to an electrical signal coming from a remote control unit, and is recommended where precise metering control, low hysteresis, fault monitoring, and fast system reaction are paramount. The input signal, by means of the PCB and the two reducing proportional solenoid valves, is converted into a low pilot pressure which in turn moves the HPV's spool.

The inductive transducer position (LVDT) ensures that the spool is being moved in the correct position, otherwise, in the event of uncontrolled spool positioning, the feed-back signal will detect it as an error and it will fast react operator independent (fault monitoring system, see diagrams in the following pages)

MHPEDX is defined by:

- Capacity to handle three different kinds of input signal control (see chart below). The required signal control is to be stated in the order phase.
- Inductive transducer position, LVDT (Linear Variable Differential Transformer)
- Integrated PWM (Pulse Width Modulator)
- Fault monitoring, transistor output for signal source
- Excellent regulation
- Low hysteresis
- Short reaction time

HPV 77

#### Active version

Voltage	Input signal control		
	0.5 x U <sub>dc</sub> (A) joystick	0 ÷ 10 V <sub>dc</sub> (B) PLC	0 ÷ 20 mA (C) PLC
12 Vdc	MHPEDX77E8011	MHPEDX77E8018	MHPEDX77E8026
24 Vdc	MHPEDX77E8010	MHPEDX77E8020	MHPEDX77E8028

#### Passive version

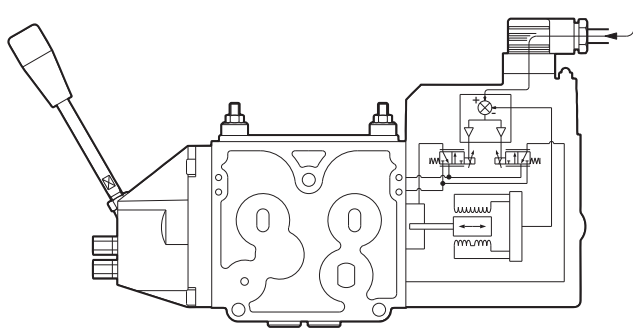
Voltage	Input signal control		
	0.5 x U <sub>dc</sub> (A) joystick	0 ÷ 10 V <sub>dc</sub> (B) PLC	0 ÷ 20 mA (C) PLC
12 Vdc	MHPEDX77E8009	MHPEDX77E8022	MHPEDX77E8030
24 Vdc	MHPEDX77E8007	MHPEDX77E8024	MHPEDX77E8032

Cast iron body



Rated voltage	12 V ± 10%	24 V ± 10%
Max. power consumption	6 W	
Analog control input (Us) to choose from:	Ratiometric 0.25xUDC ÷ 0.75xUDC	
	0 ÷ 10 V (available signal 2.5 ÷ 7.5 V)	
	0 ÷ 20 mA (available signal 5 ÷ 15 mA)	
	3.5 V (available signal 2 ÷ 5 V)	
Analog input impedance, ratiometric version, 0.25xUDC ÷ 0.75xUDC	12 kΩ	
Analog input impedance 0 ÷ 10 V version	10 kΩ	
Analog input impedance 0 ÷ 20 mA	500 Ω	
Spool positioning sensor	LVDT	
PWM outputs with current feedback	2	
PWM frequency	80 ÷ 250 Hz	
Max. current consumption	600 mA	330 mA
Error / Fault Message output (pin 3)	Max. Load 50 mA	
Working parameters setting	By software and serial interface	
Main electrical connection	3 pins Connector +PE	
Connection cable	FL4G11Y - 3 x 1.5 mm <sup>2</sup> [3 x 15 AWG] L = 5-5.1 mt [197-201 inch]	
Enclosure	IP67	
Ambient working temperature	-35 ÷ +60 °C [-31 ÷ +140 °F]	
EMC requirements	EN61000-6-2, EN61000-6-4	

HPV 77

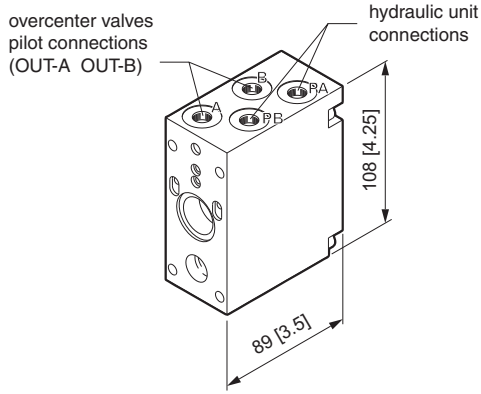


ATEX marking	CE	Ex	II 2G Ex mb IIC T4 GB II 2D Ex mb IIIC T135 °C Db
IECEx marking	CE	Ex	Ex mb IIC T4 GB Ex mb IIIC T135 °C Db

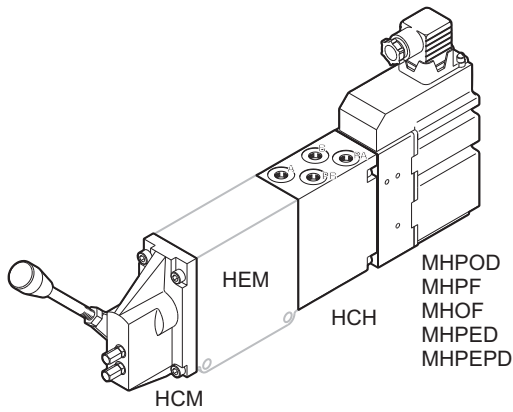
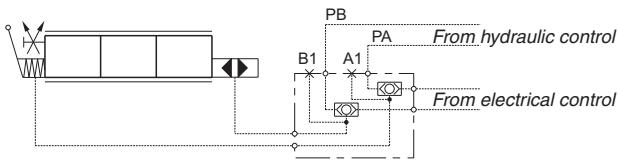
**ATEX electro-hydraulic modules for HPV features and safety instructions see page A-3.**

**For the wiring diagram of module, please refer to Instruction manual.**





## HCH



Example with module HCH, manual control HCM and MHPOD module

**HCH module to get hydraulic and electrical remote control**  
 HCH module is a small manifold that can be matched with all the HPV 77 proportional directional valves' elements, and with all the HPV electrohydraulic controls. The use of the HCH module, besides and in conjunction with electrohydraulic proportional, radio and on-off controls, also allows the hydraulic proportional control to be reached.

This new device features two supplementary work ports which can be used to pilot the overcenter valves through the same low pressure HPV spool. With this solution the control of the overcenter valves turns out to be much more precise, since the pilot pressure acting on them is never influenced by variations in pressure owing to moving loads.

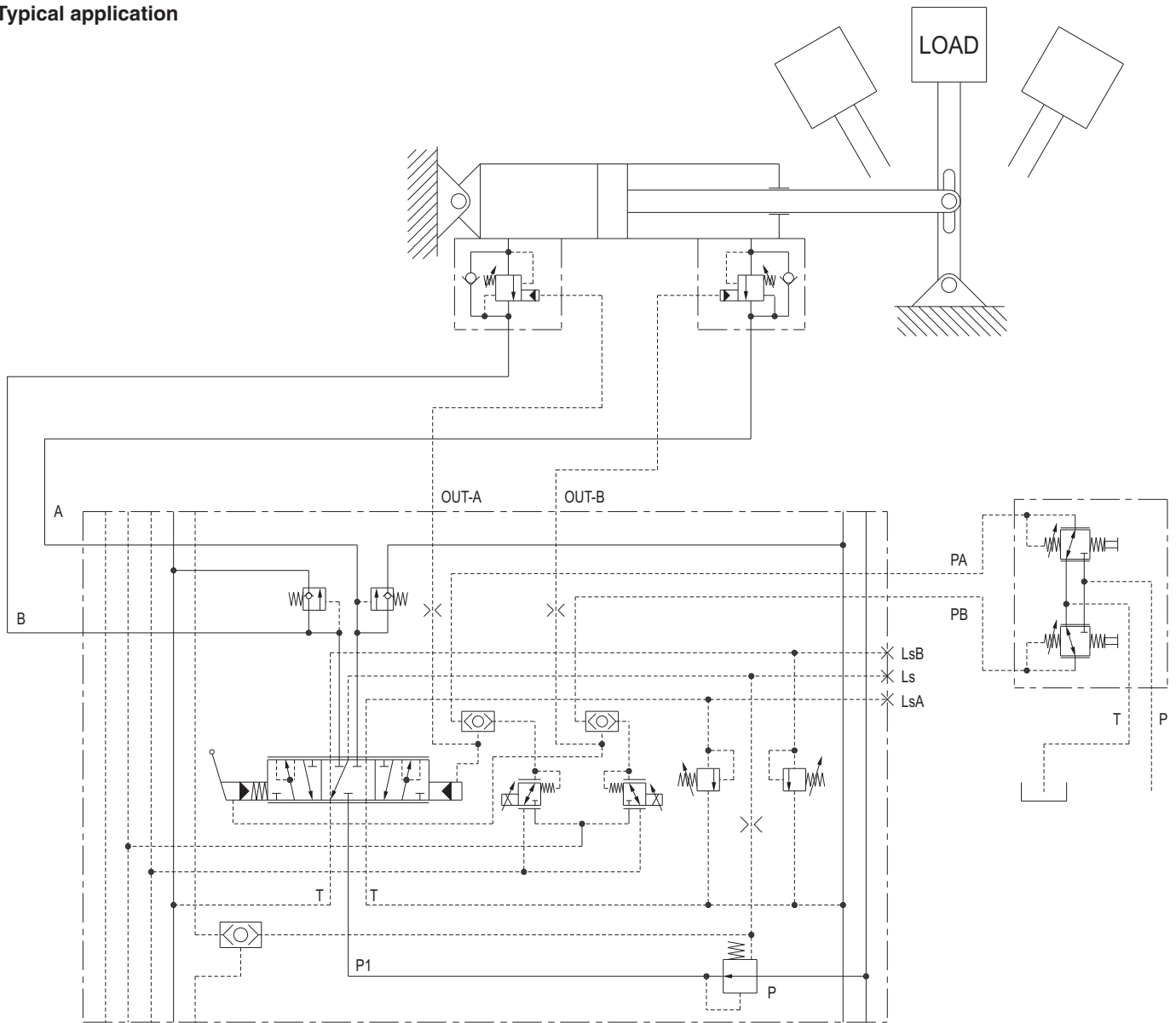
Max. pilot pressure 36 bar [522 psi].

It is essential to use overcenter valves with high pilot ratio (15:1 ÷ 20:1)

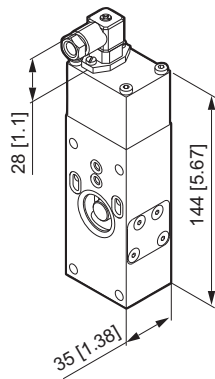
HPV 77

Type	Code (Aluminum)	
	Connections 1/4 BSPP	Connections 7/16" - 20 UNF - 2B
For MHPOD. MHPF, MHOF modules (open ring version)	<b>HCH0007704605</b>	<b>HCH0007704606</b>
For MHPED. MHPEPD modules (closed ring version)	<b>HCH0007704607</b>	<b>HCH0007704608</b>

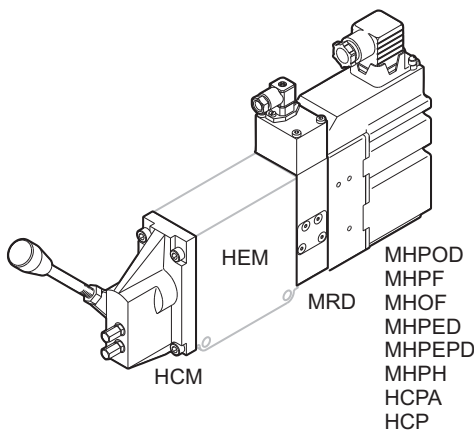
## Typical application



HPV 77



**MRD**



Example with module MRD, manual control HCM and MHPOD module

**MRD electrical spool movement device**

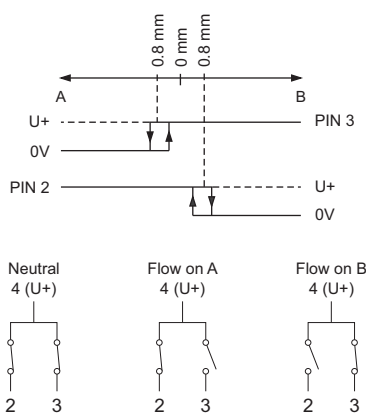
The main purpose of this module is to give an indication of the spool's movement, by mean of an on-off signal. Suitable for all those applications where, the spool travel has to be remotely monitored or integrated with the whole machine electrical system.

Spool direction indicator output Hirshmann connector according to DIN 40050.

Voltave	12 VDC – 24 VDC (min. 10 VDC - max. 30 VDC)
Maximum current	Resistive load 5A Inductive load: 3A
Switch position	± 0.8 mm (+0.2 / 0.3 mm)
Protection degree	IP40

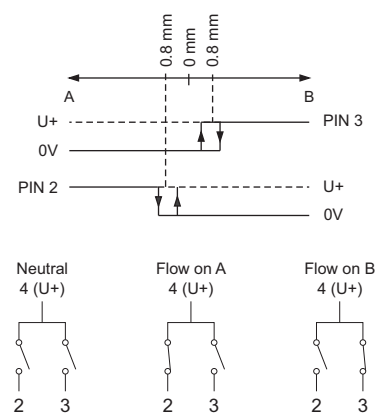
Type	Code
Normally closed	<b>MRD000774263</b>
Normally open	<b>MRD000774265</b>

**Normally closed**



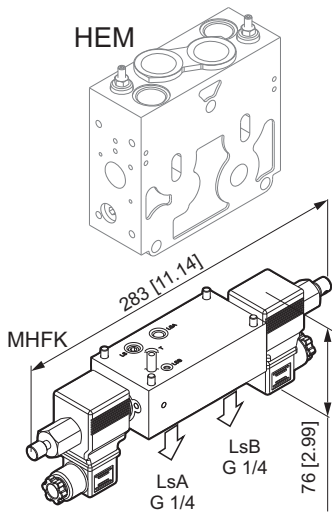
PIN No.	Neutral position	B port	A port
2	U+	0V	U+
3	U+	U+	0V
4	Common		

**Normally open**



PIN No.	Neutral position	B port	A port
2	0V	0V	U+
3	0V	U+	0V
4	Common		

HPV 77



### MHFK electrical Ls A/B unloading module

Developed for those applications where the max. working pressure can be selected according to an on-off electric signal. Normally open valves. Aluminum body.

#### Technical features

Max. operating pressure	370 bar [5366 psi]
Max. flow	30 l/min [7.9 US gpm]
Max. Leakage (0-5 drops/min)	0-0.25 cm <sup>3</sup> /min
Max. excitation frequency	2 Hz
Duty cycle	100% ED
Hydraulic fluids	Mineral Oil DIN 51524
Oil viscosity	10 ÷ 500 mm <sup>2</sup> /s (cSt)
Oil temperature	-25 ÷ +75 °C [-13 ÷ +167 °F]
Ambient temperature	-25 ÷ +60 °C [-13 ÷ +140 °F]
Max. contamination level class with filter	ISO 4406:1999 class 21/19/16
Cartridge filter	280µm
Degree of enclosure (depending on connector)	IP 65
Weight (with coil)	0.350 kg [0.77 lb]
Cartridge tightening torque	25 ÷ 30 Nm [18.4 ÷ 22 lbf-ft]
Coil ring nut tightening torque	7 Nm [5.2 lbf-ft]

**With the electrical LsA/B unloading modules, the EU flow restrictors must always be mounted onto the spools (HEAS) see page C-86.**

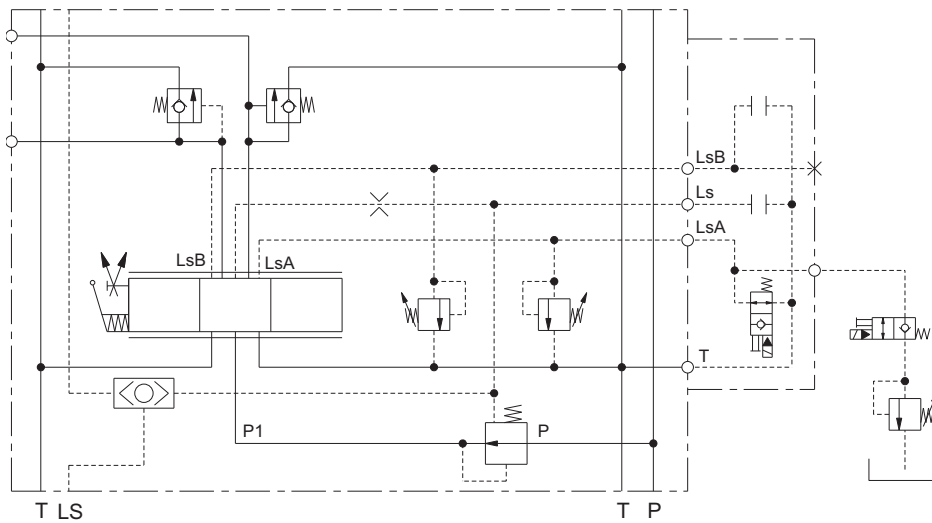
HPV 77

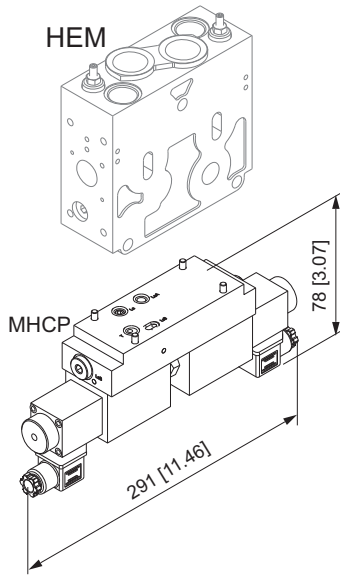
Active on LsA + LsB	Voltage	Code
	14 VDC	on request
	28 VDC	<b>MHFK007706630</b>

Thread BSPP G 1/4

Plugs	Code
	<b>RCRP20300000</b>

HSET plugs in CRP04HP cavities  
1/4" BSPP plugs in LSA, LSB cavities





### Electrohydraulic proportional module for remote A / B ports working pressure control

MHCP is a electric proportional module that allows the working pressure to be remotely operated by means of a current signal MHPF is designed to ensure system pressure to be infinitely adjust in accordance upon the electrical command valve. When the working pressure exceed the setting pressure value, the A – B ports flow is being cut-off.

When MHCP is not energized, both pressure and flow will be maintain close to zero.

MHCP is always to be used with pressure compensated working sections.

Cast iron body.

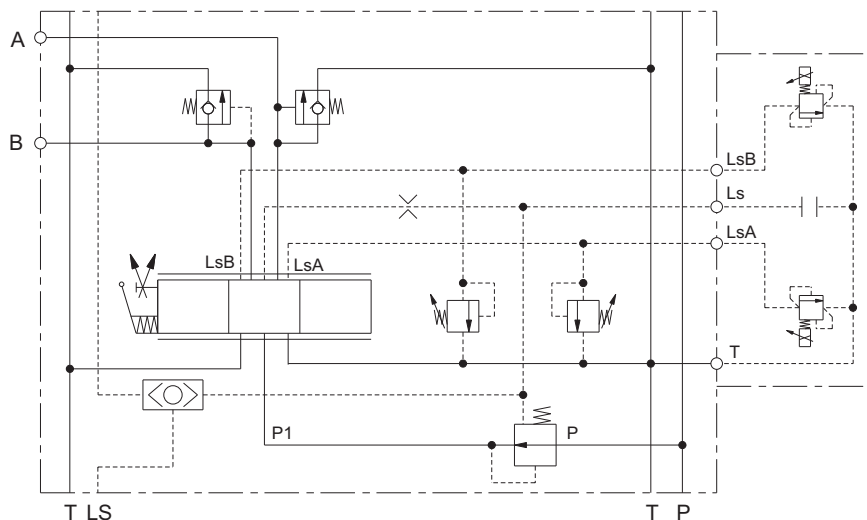
*With the electrical LsA/B unloading modules, the EU flow restrictors must always be mounted onto the spools (HEAS) see page C-86.*

Active on LsA	Voltage	Code
	24 VDC	MHCP007706210

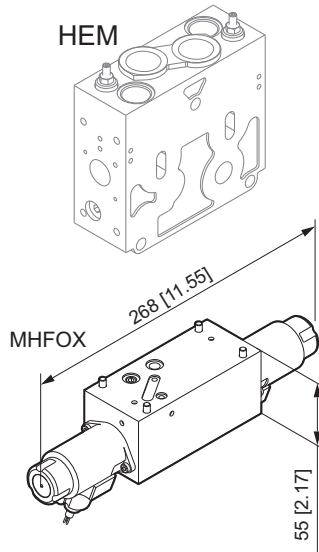
Active on LsB	Voltage	Code
	24 VDC	MHCP007706220

Active on LsA + LsB	Voltage	Code
	24 VDC	MHCP007706230

Active on Ls	Voltage	Code
	24 VDC	MHCP007706305



HPV 77



## MHFOX electrical LsA/B signal unloading module Atex version

LsA / LsB pilot signal unloading solenoid valve. If the Atex on/off solenoids are not energized, there is no flow on A/B work ports, while the pressure in the open centre circuits will be equal to the P → T unloading pressure value on the inlet section, plus the counterpressure acting on T line. In closed centre circuits (under the same operating conditions) the pressure will be equal to the stand-by pump pressure. Normally open valves. Cast iron body.

Active on LsA + LsB	Voltage	Code
	12 VDC	<b>MHFOX07706225</b>
	24 VDC	<b>MHFOX07706230</b>

*With the electrical LsA/B unloading modules, the EU flow restrictors must always be mounted onto the spools (HEAS) see page C-86.*

### Technical features

Nominal voltage	12 VDC	24 VDC
Coil resistance, R20	9 Ω ± 6%	35.8 Ω ± 6%
Min. current	700 mA	350 mA
Max. current	1850 mA	930 mA
Limit power	14.3 W	14.4 W
Ambient temperature	-20 ÷ +50 °C [-4 ÷ +122 °F]	
Connection cable	FL4G11Y - 3 x 1.5 mm <sup>2</sup> [3 x 15 AWG ] L = 5-5.1 mt [197-201 inch]	
Integrated diode to limit switch-off overvoltage	See coil manufacturer manual	
Short-circuit protection	With fuse - See coil manufacturer manual	
Duty cycle	100%	
Input pressure	Max. 400 bar [5800 psi]	
Switching pressure	Max 200 bar [2900 psi]	
Operating Limits	400 bar at max. flow 7 l/min [2900 psi at max. flow 1.85 US gpm]	
Flow P → T at Δp =2 bar [19 psi]	> 6.5 l/min [1.72 UD gpm]	
Leakage P → T (Oil Temp. 50°C / Input press. 400 bar [5800 psi])	< 20 ml/min [0.002 UD gpm]	
Fluid temperature	-20 ÷ +80 °C [-4 ÷ +176 °F]	
Ground connection	Up to 4 mm <sup>2</sup> - 11 AWG	
Protection class (DIN VDE 0580)	I	
Fluids	Hydraulic oil to DIN 51524.ATF-oil	
Protection ratings (DIN VDE 0470 / EN 60529)	IP67 / IP69K	
Shock-resistance to EN 50014	4 J	

**ATEX electro-hydraulic modules for HPV features and safety instructions see page A-3.**

**For the wiring diagram of module, please refer to Instruction manual.**

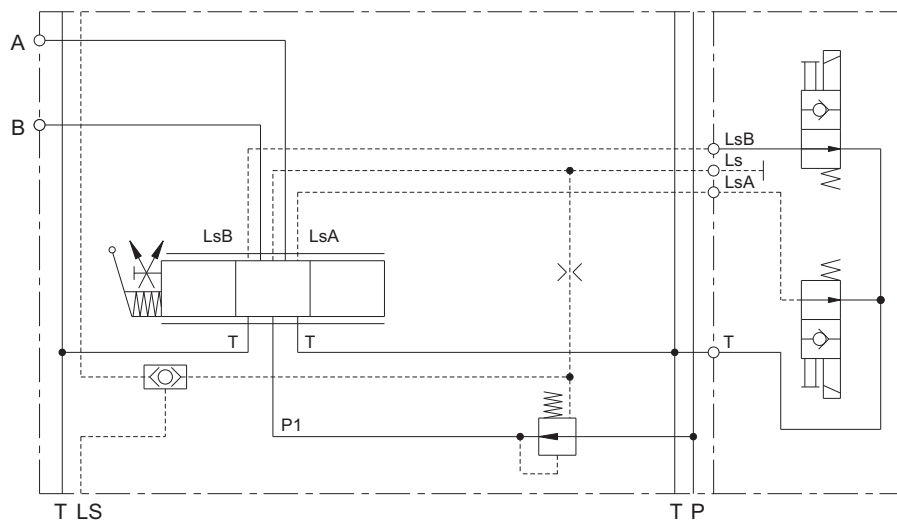
These modules, fitted on the proportional valve with MHOX modules, are subject to the complete certification of the valve; in this case the label will refer to the complete valve: MHOX - HEM.

When the modules are individually supplied, a label is attached to the module with the following labelling:

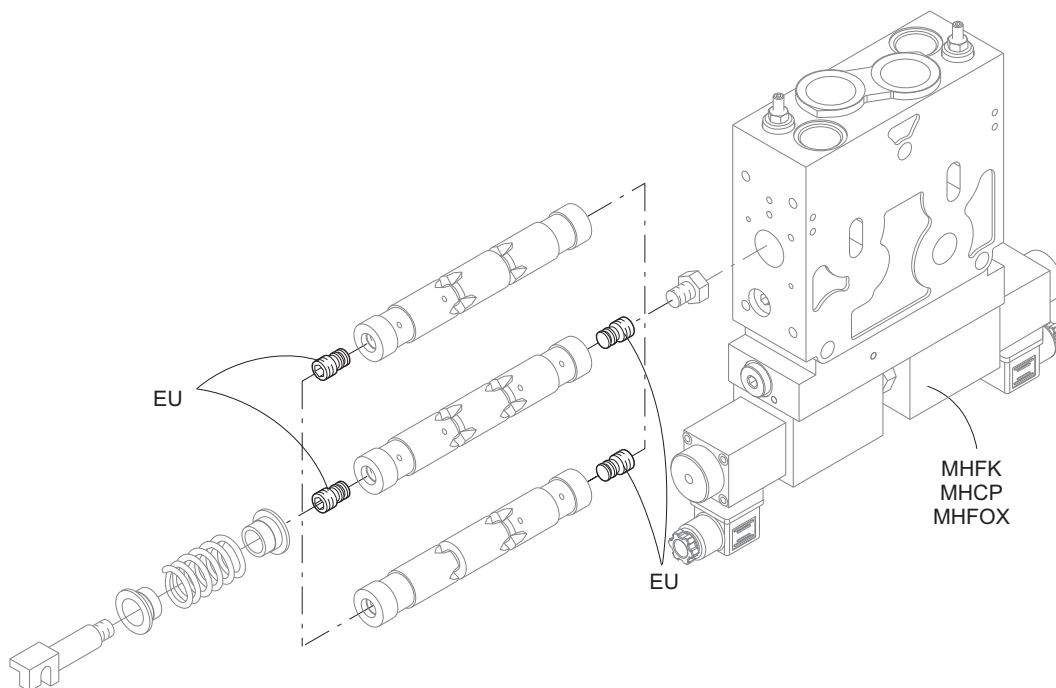
This labelling is printed on the label of modules, in a visible position.

The final customer, when buying this module individually, is in charge of the assembly and coupling of such component with others ATEX components of different classes, groups and temperatures.

II 2 GD c T4 / T135°C  
 T<sub>amb</sub>= -20 °C ÷ +50 °C  
 T<sub>fluid</sub>= -20 °C ÷ +80 °C



HPV 77



**Modules, EU flow restrictors for HPV 77 spools, for LsA/B electrical unloading modules**

When the working sections (HEM) are equipped with the MHFK-MHCP-MHFOX electrical LsA/B unloading modules, the EU flow restrictors must always be mounted onto the spools (HEAS).

The code number has to be indicated under the spool code field in the order form.

Any kind of spool are always prearranged for EU modules.

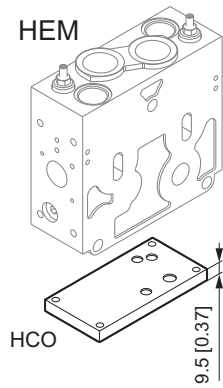
Description	Code
Active on LsA or LsB only	HEAU007704200
Active on LsA + LsB and Ls	HEAU007704201

HPV 77

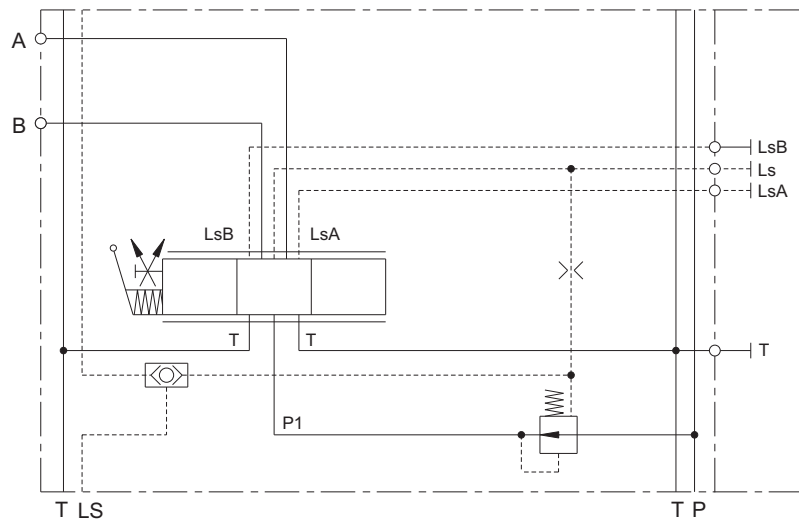


HCO module - bottom plate to close the MHFO, MHFK, MHFP facilities

Aluminum body.



HCO	Code
	HCO0007704603



HPV 77



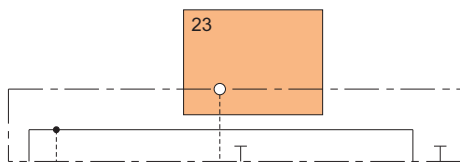
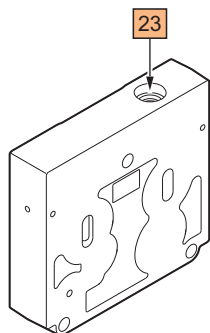
## HSC end sections

### Available versions:

- With no ports
- With Ls1, P1, T1 ports
- With Ls1 port

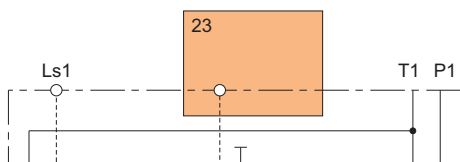
Cast iron body.

HPV 77



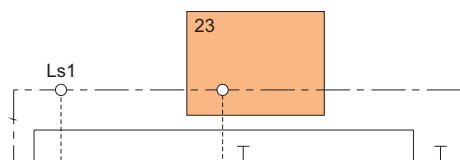
### With no ports

Code	
BSPB	UN - UNF
HSC0007705020	



### With Ls1, P1, T1 ports

Code	
<b>Ports</b> P1, T1 (3/4" BSPP) Ls1 (1/4" BSPP)	<b>Ports</b> P1, T1 (1 1/16"-12UNF-2B) Ls1 (7/16"-12UNF-2B)
HSC0007705025	HSC0007705030

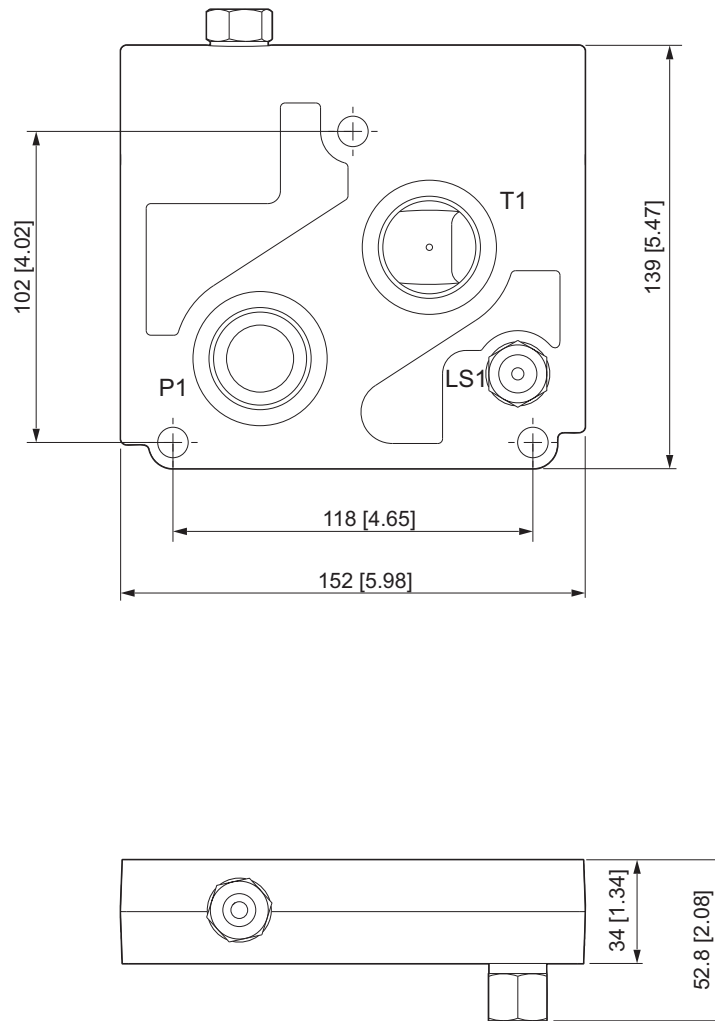


### Con connessione Ls1

Code	
<b>Ports</b> Ls1 (1/4" BSPP)	<b>Ports</b> Ls1 (7/16"-12UNF-2B)
HSC0007705026	HSC0007705027

23 Plug or cartridge page C-96

## HSC end section overall dimensions

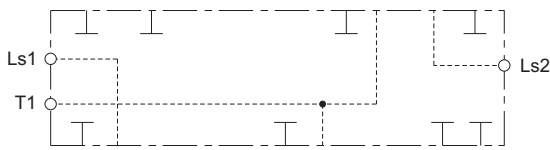


HPV 77

mm [inch]

### HPFS mid end section

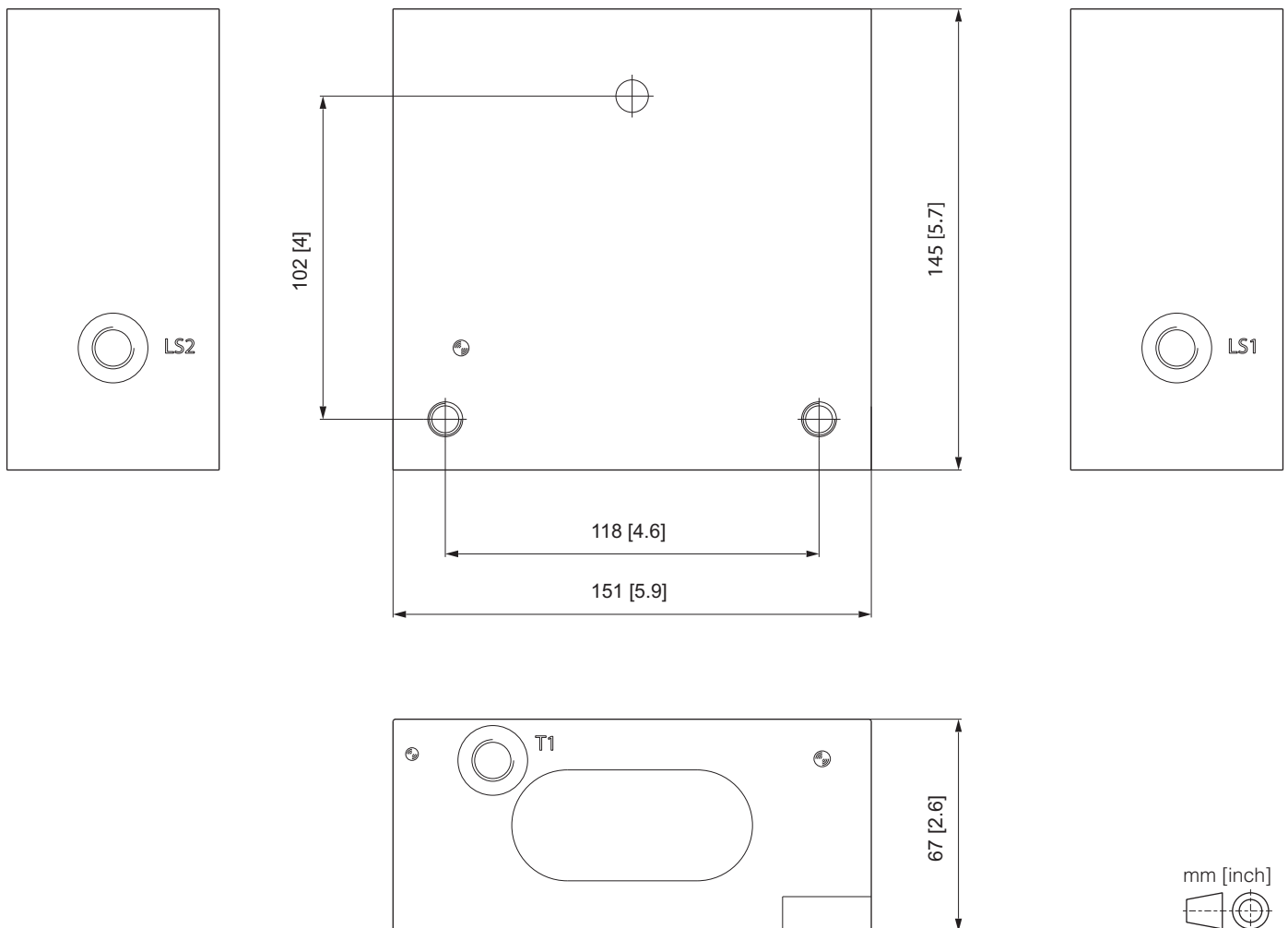
HPFS mid end section allows two inlet sections HSE in one HPV. Cast iron body.



Code	
<b>Ports</b> T1 (1/4" BSPP)	<b>Ports</b> T1 (7/16"-20UNF-2B)
<b>HPFS007705032</b>	<b>HPFS007705034</b>

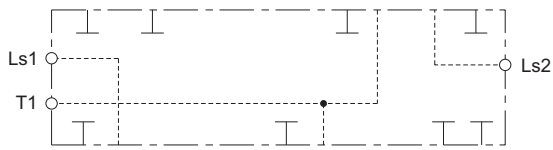
**HPV 77**

### HPFS mid end section overall dimensions



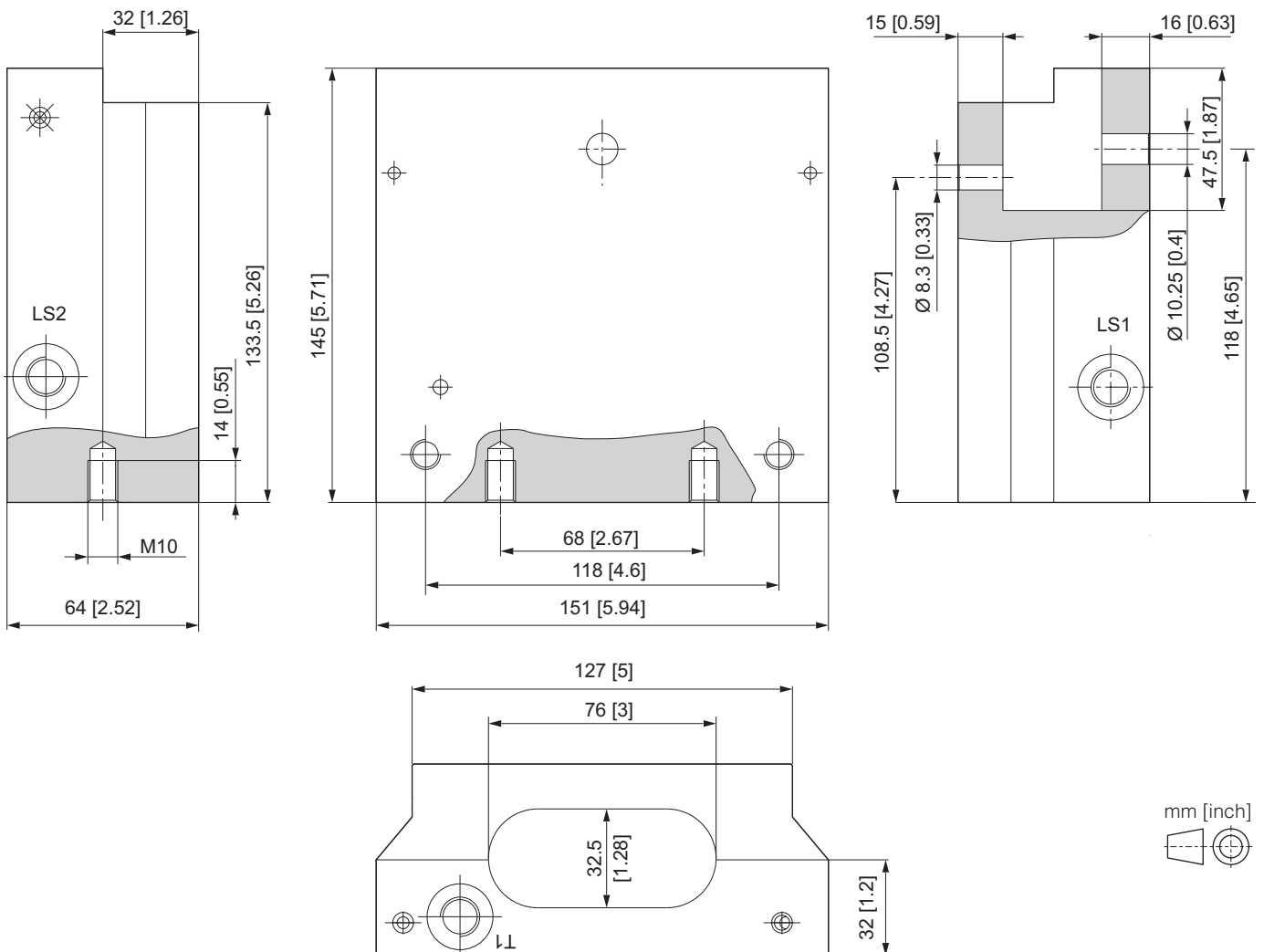
### HPFS mid end section

HPFS mid end section allows assembling an HPV77 directional valve with an HPV41 directional valve, each of them with its own HSE inlet section. Cast iron body.



<b>Code</b>
<b>Ports</b>
T1 (1/4" BSPP)
<b>HPFS007705039</b>

### HPFS mid end section overall dimensions



HPV 77



The HSIF interface allows an hydraulic connection between the elements of HPV77proportional valves with the elements of CXDH3 / CX3 proportional valves or CDH3 / CD3 / CDC3 on/ off valves.

This type of combination is highly appreciated in case of high flow differences between the controlled actuators.

The HSIF module must be inserted into the proportional valve configuration between the last HPV77 working section and the first CXDH3 / CX3 / CDH3 / CD3 / CDC3 working section.

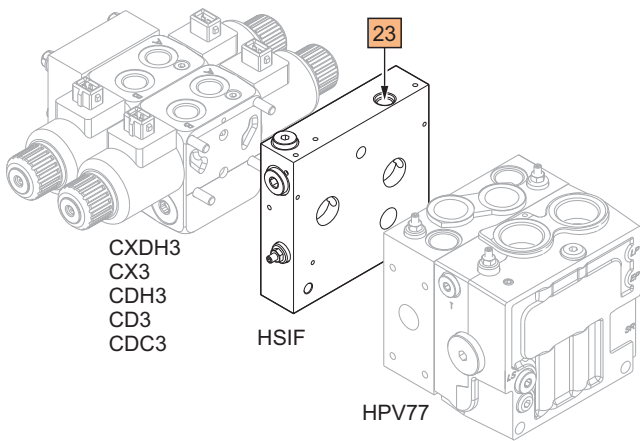
Up to 8 elements of HPV77 and 8 elements of CXDH3 / CX3 / CDH3 / CD3 / CDC3 can be installed.

The HSIF interface replaces the inlet module for CXDH3 / CX3 / CDH3 / CD3 / CDC3.

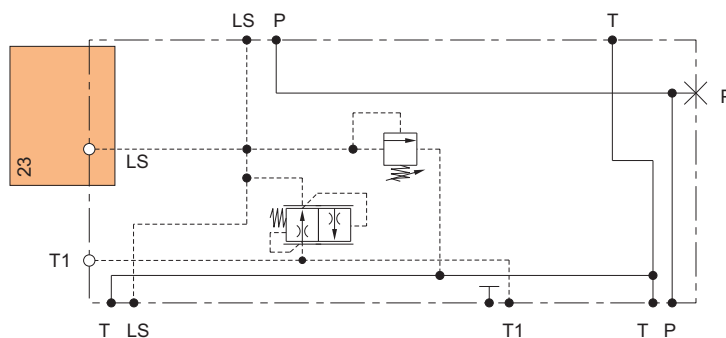
NOTE: You have to indicate in composition module the plug or the cartridge (see page C-96).

Max. operating pressure	300 bar [4351 psi]
Max. flow	80 l/1' [21 US gpm]
Weight (with coil)	5.4 kg [11.9 lb]

Description	Code
Cast iron HSIF interface	<b>HSIF007705034</b>



Side CXDH3 / CX3 / CDH3 / CD3 / CDC3



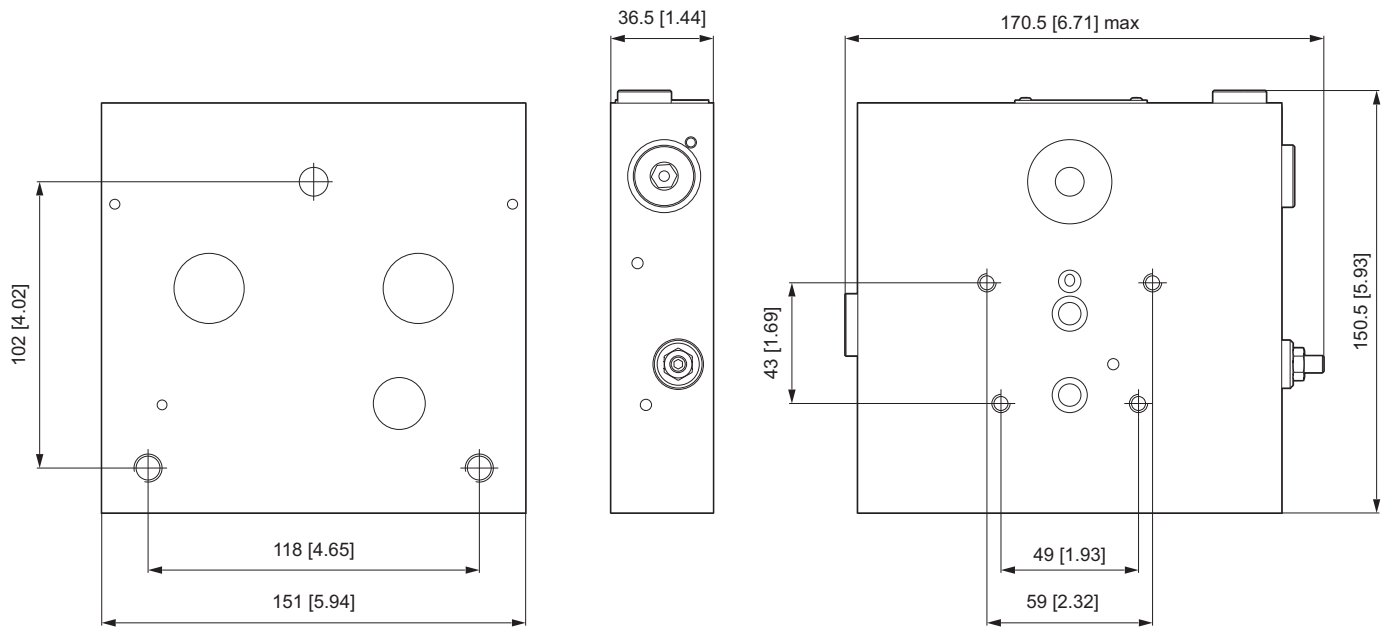
Side HPV 77



23 Cartridge, page C-96

Bankable valves CXDH3 / CX3 / CDH3 / CD3 / CDC3 see catalogue code DOC00046)

HSIF interface overall dimensions



HPV 77

mm [inch]



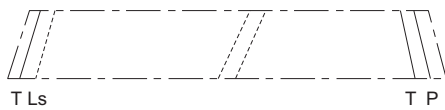
The HSIF interface hydraulically connects the elements of proportional valve HPV 77 with the elements of proportional valve HPV 41.

This type of combination is highly appreciated in those cases involving great differences in flow between the controlled actuators.

The HSIF module must be inserted into the proportional valve configuration between the last HPV77 working section and the first HPV41 working section.

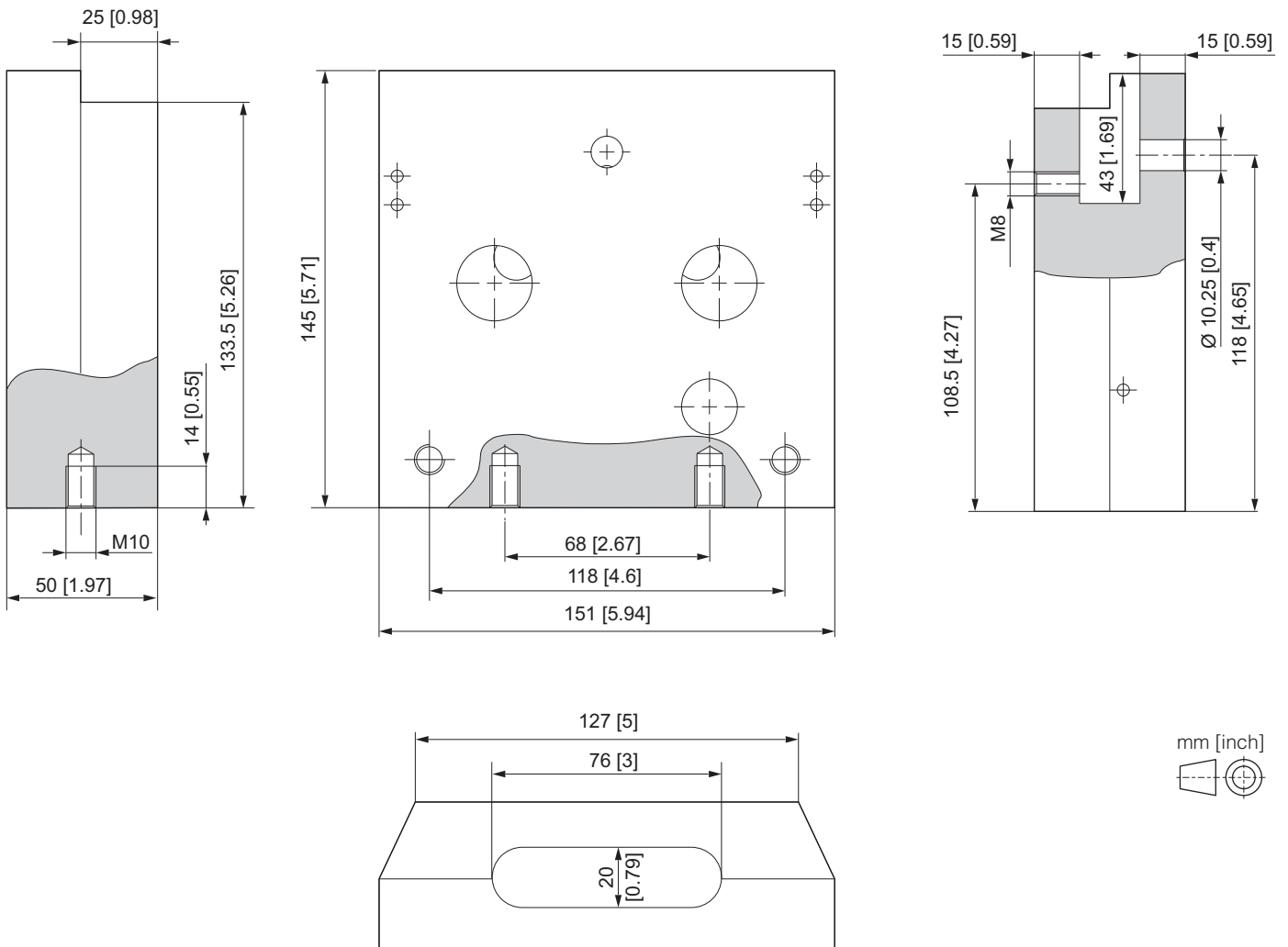
Up to 6 HPV77 working sections and 8 HPV41 working sections can be installed.

Description	Code
Cast iron HSIF interface	<b>HSIF007705031</b>



**HPV 77**

HSIF interface overall dimensions





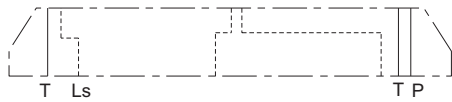


The HSEF interface hydraulically connects the elements of proportional valve HPV 77 with the elements of proportional valve HPV 41 when there is HFLS mid end section in HPV77 side.

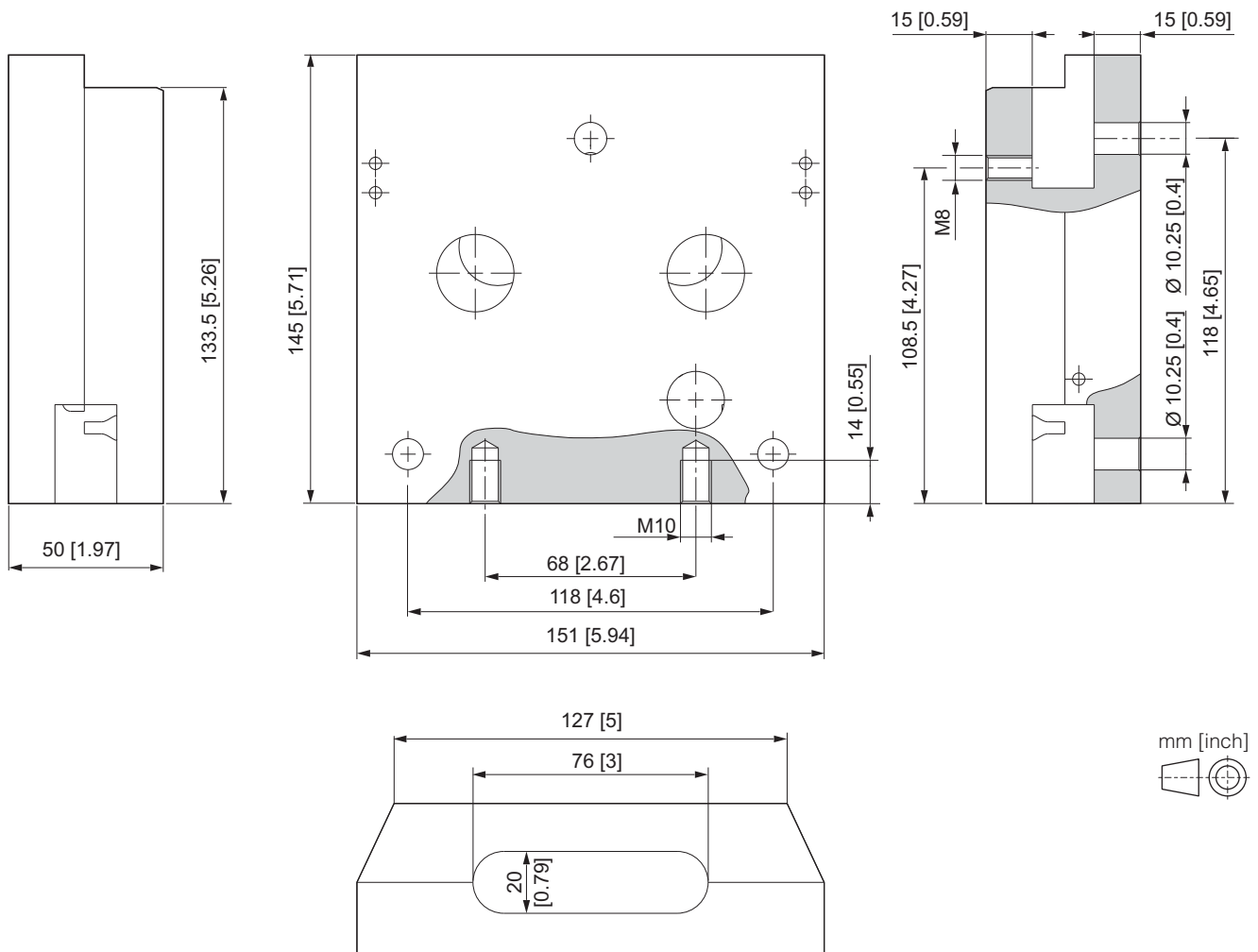
The HSEF module must be inserted into the proportional valve configuration between the last HPV77 working section and the first HPV41 working section.

Up to 6 HPV77 working sections and 8 HPV41 working sections can be installed..

Description	Code
Cast iron HSEF interface	HSEF007705041

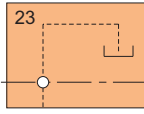
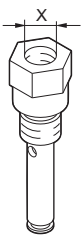


## HSEF interface overall dimensions

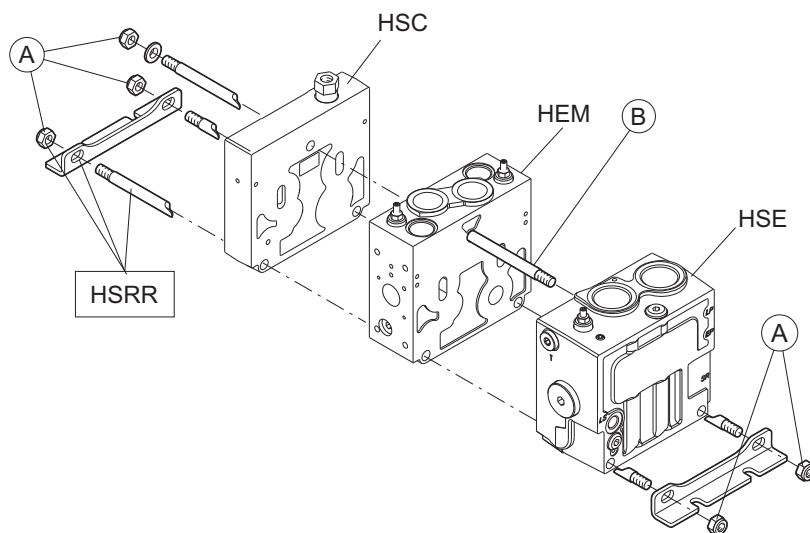


HPV 77

## Accessories for HSC end section and HSIF interface

Code		Description	Symbol / Field	Draw
BSPB	UN - UNF			
<p><b>CSRV007701203</b></p> <p>1/4" BSPB</p>	<p><b>CSRV007701206</b></p> <p>7/16"-20UNF-2B</p>	<p><b>CSRV</b></p> <p>External drain cartridge for HSC module (to be connected to drain line)</p>		

HPV 77

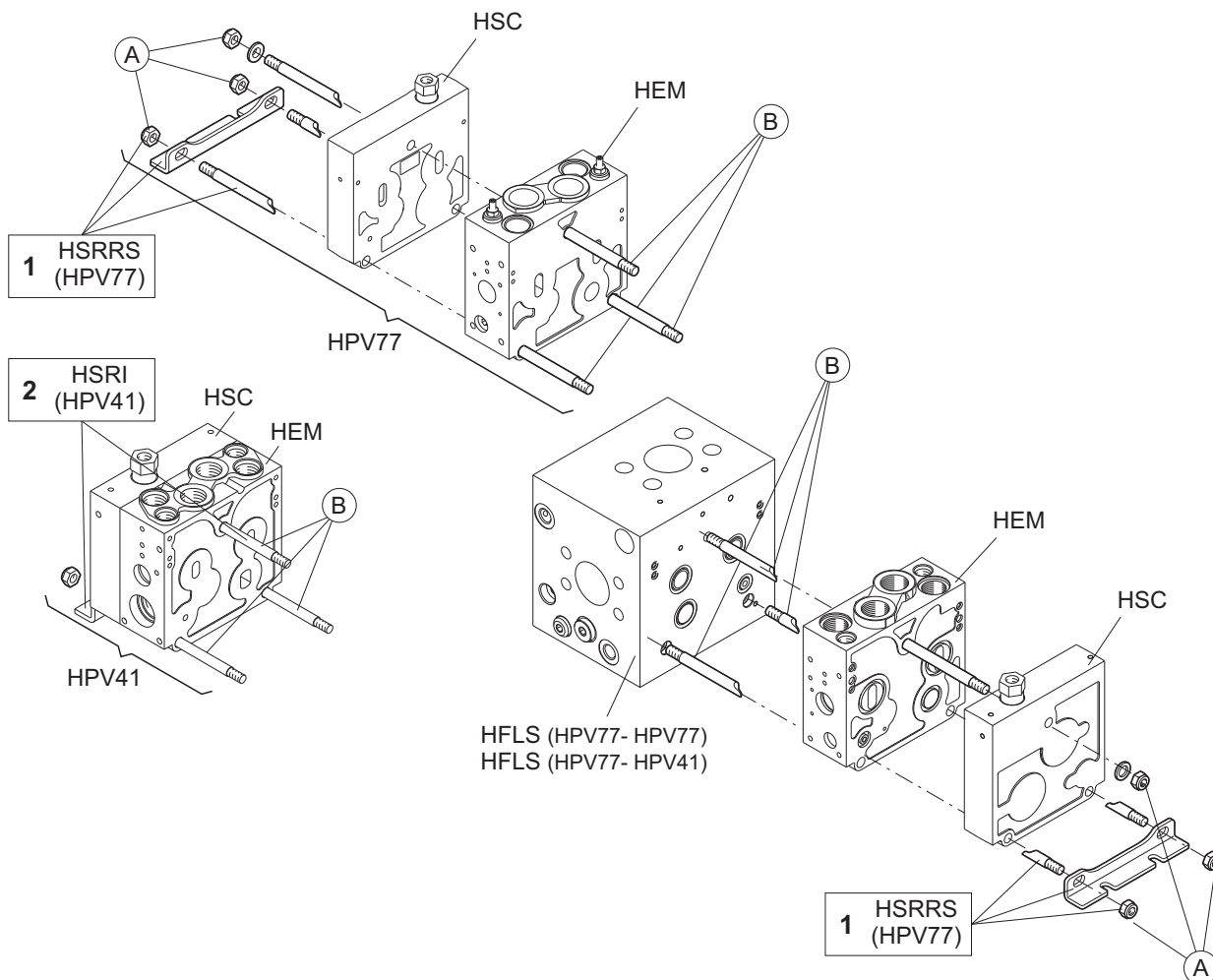


**HPV 77**

No. of working sections (HEM)	Code
1	HSRR007705561
2	HSRR007705562
3	HSRR007705563
4	HSRR007705564
5	HSRR007705565
6	HSRR007705566
7	HSRR007705567
8	HSRR007705568
9	HSRR007705569
10	HSRR007705570

Tightening torques nuts "A" :  $50 \pm 2$  Nm [36.9  $\pm$  1.5 lbf-ft]  
 Tightening torques stud bolts "B" :  $50 \pm 2$  Nm [36.9  $\pm$  1.5 lbf-ft]

HPV 77



## 1 - Stay bolts kit for HPV77

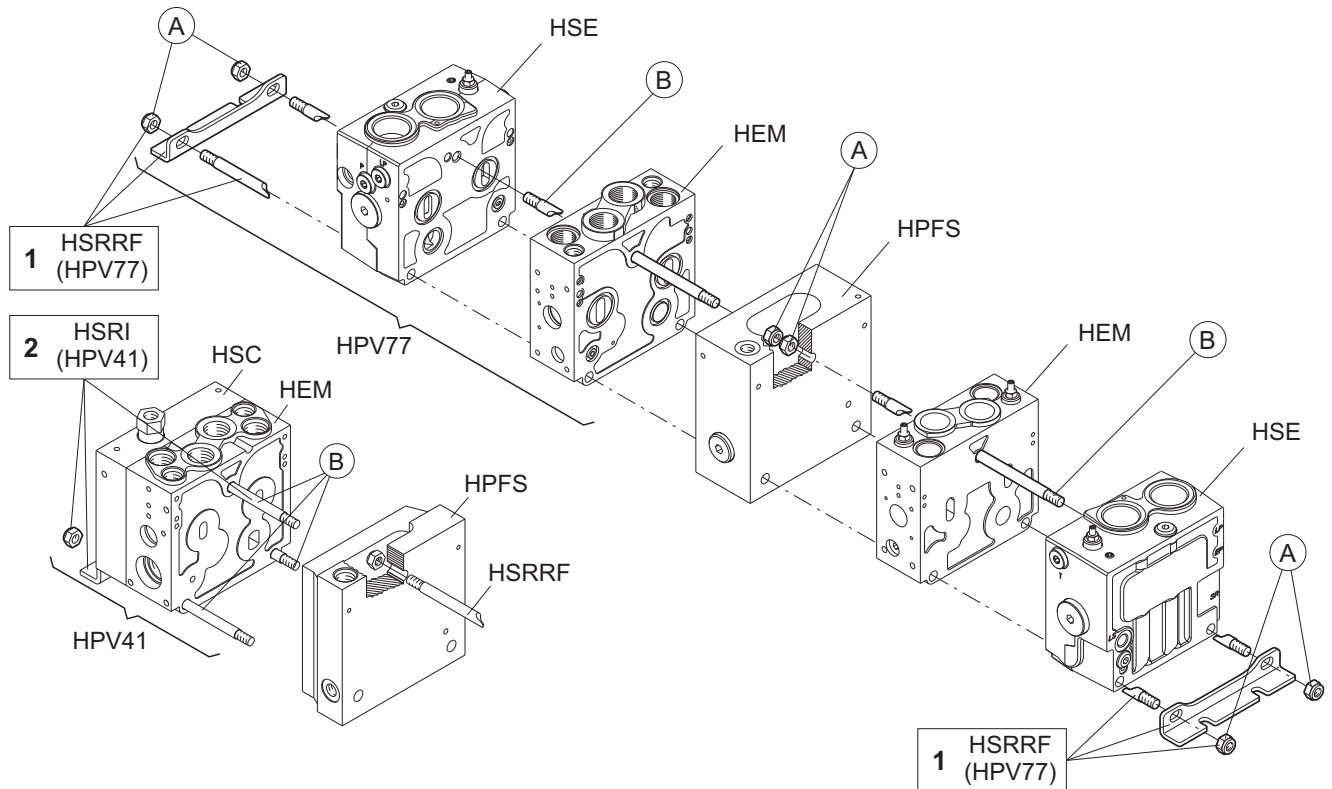
No. of working sections (HEM 77)	Code
1	HSRRS07705771
2	HSRRS07705772
3	HSRRS07705773
4	HSRRS07705774
5	HSRRS07705775
6	HSRRS07705776

Tightening torques nuts "A" :  $50 \pm 2$  Nm [ $36.9 \pm 1.5$  lbf-ft]  
 Tightening torques stud bolts "B" :  $50 \pm 2$  Nm [ $36.9 \pm 1.5$  lbf-ft]

## 2 - Stay bolts kit for HPV41

No. of working sections (HEM 41)	Code
1	HSRI004105561
2	HSRI004105562
3	HSRI004105563
4	HSRI004105564
5	HSRI004105565
6	HSRI004105566
7	HSRI004105567
8	HSRI004105568
9	HSRI004105569
10	HSRI004105570

Tightening torques nuts "A" :  $22.5 \pm 2$  Nm [ $16.6 \pm 1.5$  lbf-ft]  
 Tightening torques stud bolts "B" :  $25 \pm 2$  Nm [ $18.4 \pm 1.5$  lbf-ft]



### 1 - Stay bolts kit for HPV77

No. of working sections (HEM 77)	Code
1	HSRRF07705671
2	HSRRF07705672
3	HSRRF07705673
4	HSRRF07705674
5	HSRRF07705675
6	HSRRF07705676
7	HSRRF07705677
8	HSRRF07705678

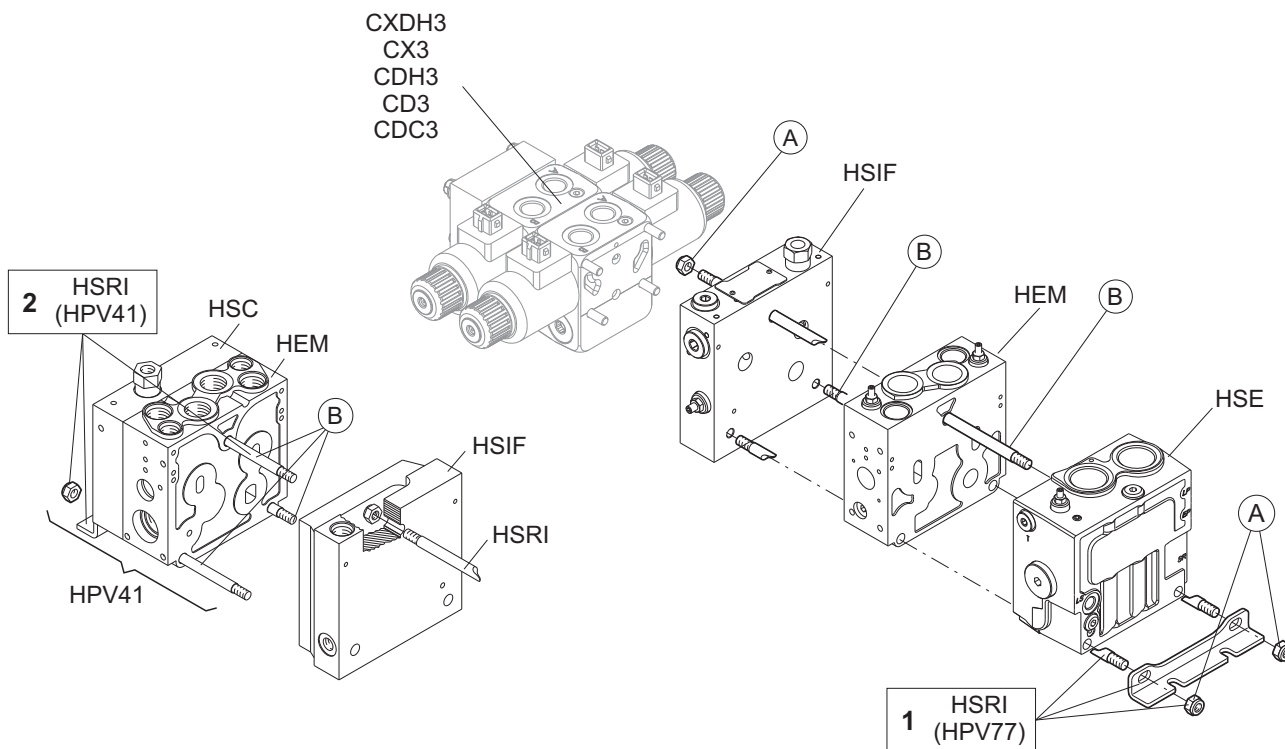
Tightening torques nuts "A" :  $50 \pm 2$  Nm [ $36.9 \pm 1.5$  lbf-ft]  
 Tightening torques stud bolts "B" :  $50 \pm 2$  Nm [ $36.9 \pm 1.5$  lbf-ft]

### 2 - Stay bolts kit for HPV41

No. of working sections (HEM 41)	Code
1	HSRI004105561
2	HSRI004105562
3	HSRI004105563
4	HSRI004105564
5	HSRI004105565
6	HSRI004105566
7	HSRI004105567
8	HSRI004105568
9	HSRI004105569
10	HSRI004105570

Tightening torques nuts "A" :  $22.5 \pm 2$  Nm [ $16.6 \pm 1.5$  lbf-ft]  
 Tightening torques stud bolts "B" :  $25 \pm 2$  Nm [ $18.4 \pm 1.5$  lbf-ft]

HPV 77



### 1 - Stay bolts kit for HPV77

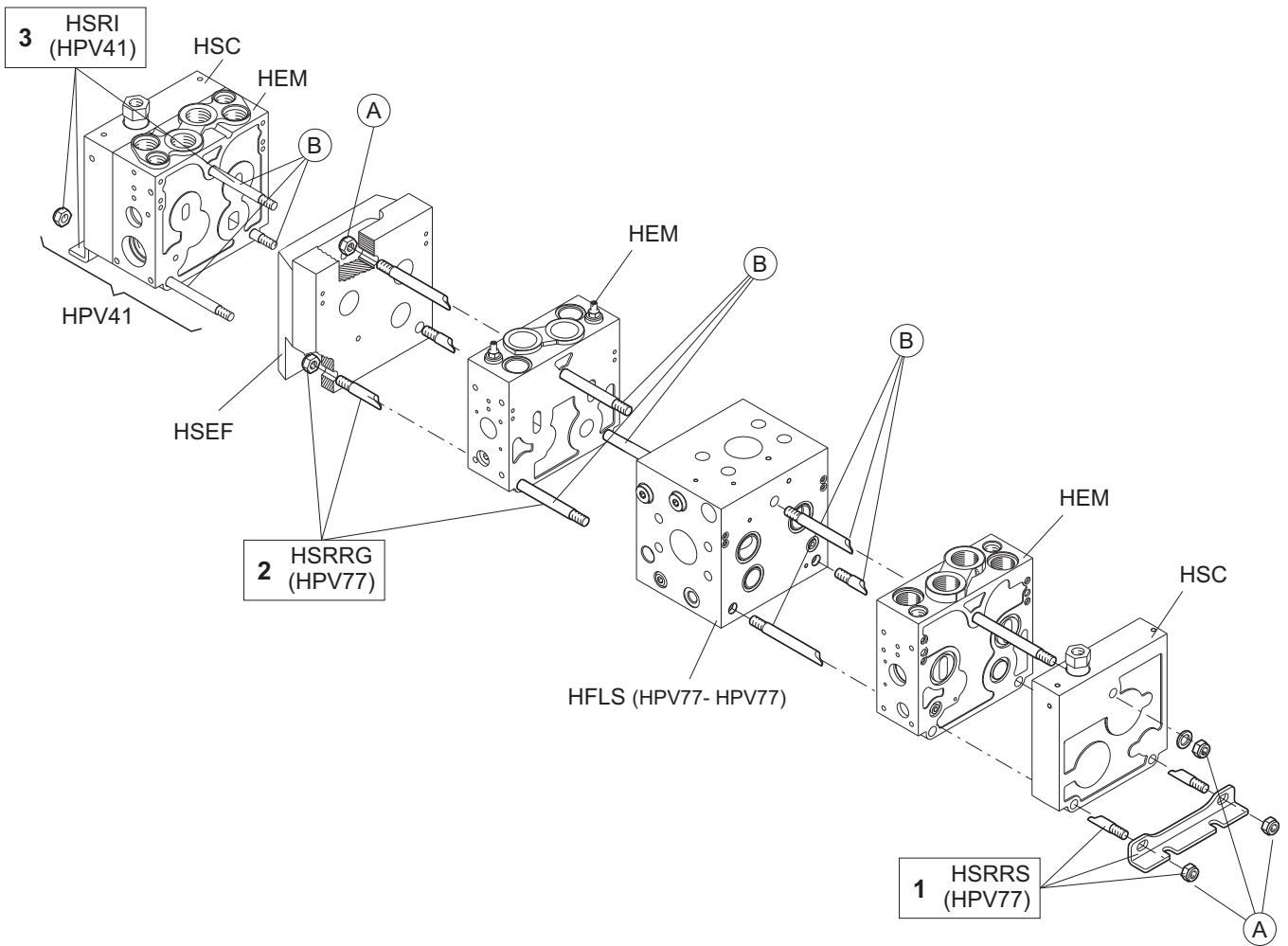
No. of working sections (HEM 77)	Codice
0	HSRI007705570
1	HSRI007705571
2	HSRI007705572
3	HSRI007705573
4	HSRI007705574
5	HSRI007705575
6	HSRI007705576

Tightening torques nuts "A" :  $50 \pm 2$  Nm [ $36.9 \pm 1.5$  lbf-ft]  
 Tightening torques stud bolts "B" :  $50 \pm 2$  Nm [ $36.9 \pm 1.5$  lbf-ft]

### 2 - Stay bolts kit for HPV41

No. of working sections (HEM 41)	Code
1	HSRI004105561
2	HSRI004105562
3	HSRI004105563
4	HSRI004105564
5	HSRI004105565
6	HSRI004105566
7	HSRI004105567
8	HSRI004105568
9	HSRI004105569
10	HSRI004105570

Tightening torques nuts "A" :  $22.5 \pm 2$  Nm [ $16.6 \pm 1.5$  lbf-ft]  
 Tightening torques stud bolts "B" :  $25 \pm 2$  Nm [ $18.4 \pm 1.5$  lbf-ft]



HPV 77

### 1 - Stay bolts kit for HPV77

No. of working sections (HEM 77)	Codice
1	HSRRS07705771
2	HSRRS07705772
3	HSRRS07705773
4	HSRRS07705774
5	HSRRS07705775
6	HSRRS07705776

Tightening torques nuts "A" :  $50 \pm 2$  Nm [36.9 ± 1.5 lbf-ft]  
 Tightening torques stud bolts "B" :  $50 \pm 2$  Nm [36.9 ± 1.5 lbf-ft]

### 2 - Stay bolts kit for HPV77 + interface HSIF + HPV41

No. of working sections (HEM)	Code
1	HSRRG07705589
2	HSRRG07705590

Tightening torques nuts "A" :  $50 \pm 2$  Nm [36.9 ± 1.5 lbf-ft]  
 Tightening torques stud bolts "B" :  $50 \pm 2$  Nm [36.9 ± 1.5 lbf-ft]

### 3 - Stay bolts kit for HPV41

No. of working sections (HEM 41)	Code
1	HSRI004105561
2	HSRI004105562
3	HSRI004105563
4	HSRI004105564
5	HSRI004105565
6	HSRI004105566
7	HSRI004105567
8	HSRI004105568
9	HSRI004105569
10	HSRI004105570

Tightening torques nuts "A" :  $22.5 \pm 2$  Nm [16.6 ± 1.5 lbf-ft]  
 Tightening torques stud bolts "B" :  $25 \pm 2$  Nm [18.4 ± 1.5 lbf-ft]

# Spare parts seals kits

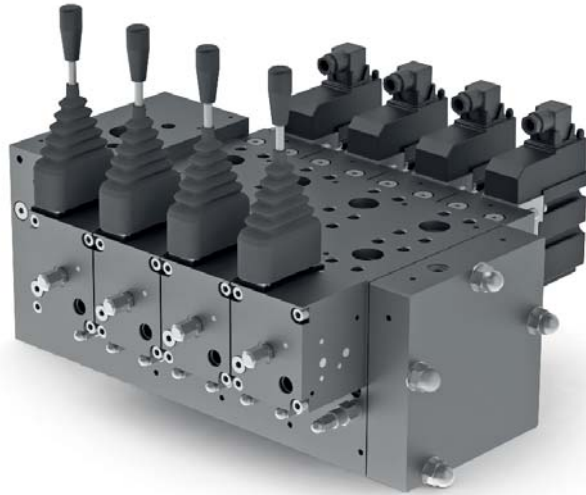
For sections and controls		Code					
		RKRC0723000	RKRC0730000	RKRC1751000	RKRC1752000	RKRC1754000	RKRC2757000
Rear cover	HCF		•				
Hydraulic remote control	HCH			•			
Electrical	HCK	•					
Mechanical control	HCM				•		
Friction	HCN					•	
Rear cover	HCP					•	
Rear cover	HCPA		•				
Spool lock device	HCPD					•	
Working section	HEM						•
Intermediate inlet section	HFLS						•
Intermediate end section	HPFS						
End section	HSC						
Inlet section	HSE						•
Electrical	MHOF			•			
Electrical	MHPED			•			
Electrical	MHPEPD			•			
Electrical activation	MHPH			•			
Electrical	MHPOD			•			
Electrical	MSPF	•					

HPV 77

See composition form page C-25.



# Technical data



## General features

- Pressure compensated flow control;
- Excellent flow control;
- High repeatability accuracy;
- Low hysteresis;
- Built in general pilot oil supply;
- Energy saving
- Built in pump overflow system (working in progress, not available yet);
- Different spool interchangeable variants;
- Open loop PWM electrical activation;
- Closed loop electrical actuation (0÷10 V - 0÷20 mA - 0.5 Udc signal , working in progress, not available yet);
- Manual / hydraulic spool control;
- Flow control spool;
- Motion control spool (working in progress, not available yet);
- Up to 5 working sections;
- Hybrid composition with HPV group valves.

## Hydraulic features

The hydraulic features reported below were measured using a mineral based hydraulic oil according to DIN 51524 or ISO 6743/4 with a viscosity of 25 mm<sup>2</sup>/s [130 SUS] at a temperature of 50 °C [122 °F].

Rated flow	HSE inlet section, P port		600 l/min	159 US gpm
	Mid inlet section, HFLS			
	A, B ports		550 l/min	145 US gpm
Max. working pressure	Connection P / P port	Pressure relief valve setting	400 bar	5800 psi
		Working pressure	370 bar	5370 psi
	Ports A, B		370 bar	5370 psi
	Connection Y		to tank	
	Connection T	Static	25 bar	363 psi
Dynamic		35 bar	508 psi	
Max. pilot pressure oil supply			up to 30 bar	up to 428 psi
Oil temperature	Recommended		-30 ÷ 60 °C	-22 ÷ +140 °F
	Min.		-25 °C	-13 °F
	Max.		+80 °C	+176 °F
Ambient temperature			-30 ÷ 60 °C	-22 ÷ +140 °F
Viscosity	Recommended		12 ÷ 80 mm <sup>2</sup> /s (cSt)	
	Min.		4 mm <sup>2</sup> /s (cSt)	
	Max.		460 mm <sup>2</sup> /s (cSt)	
Filtering			Max. contamination: class 9 according to NAS 1638 (20/18/15 according to ISO 4406)	
Stroke	Spool stroke		± 9 mm	± 0.354 in
	Proportional		± 7.5 mm	± 0.295 in
Dead band			± 1.5 mm	± 0.059 in
Nominal internal leakage	A, B → T	Without anti-shock valves	98 cm <sup>3</sup> /min	5.98 in <sup>3</sup> /min
		With anti-shock valves	115 cm <sup>3</sup> /min	7.02 in <sup>3</sup> /min

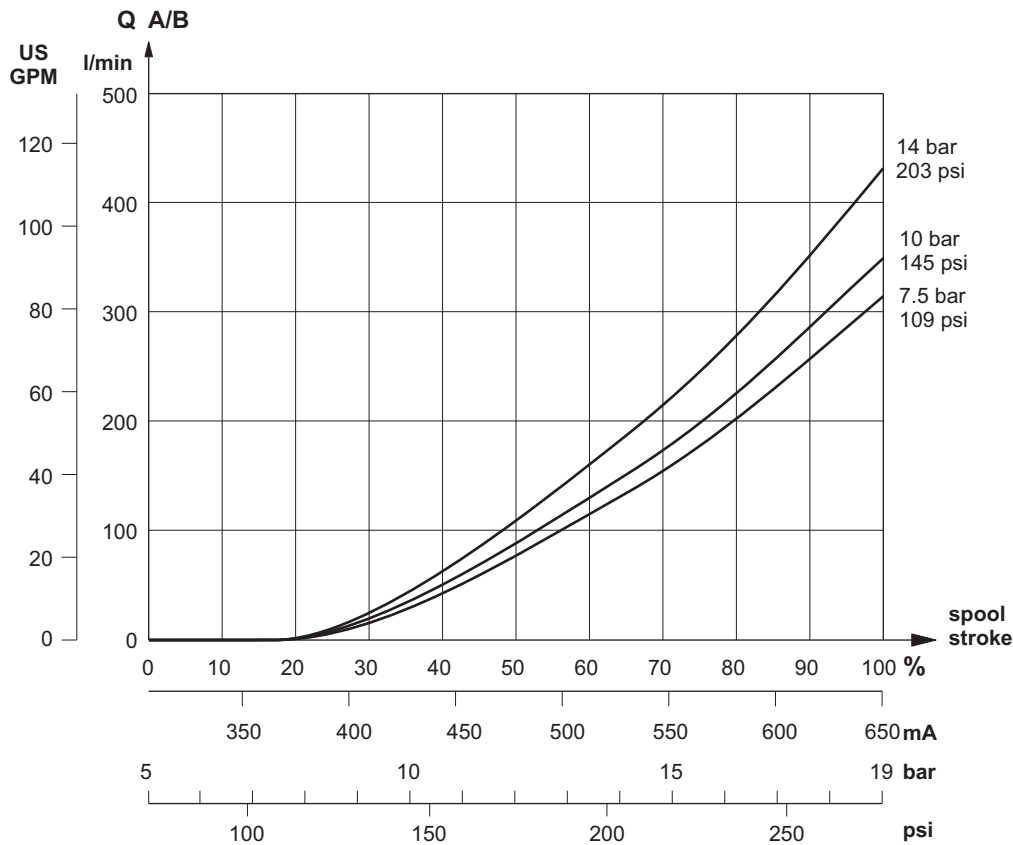
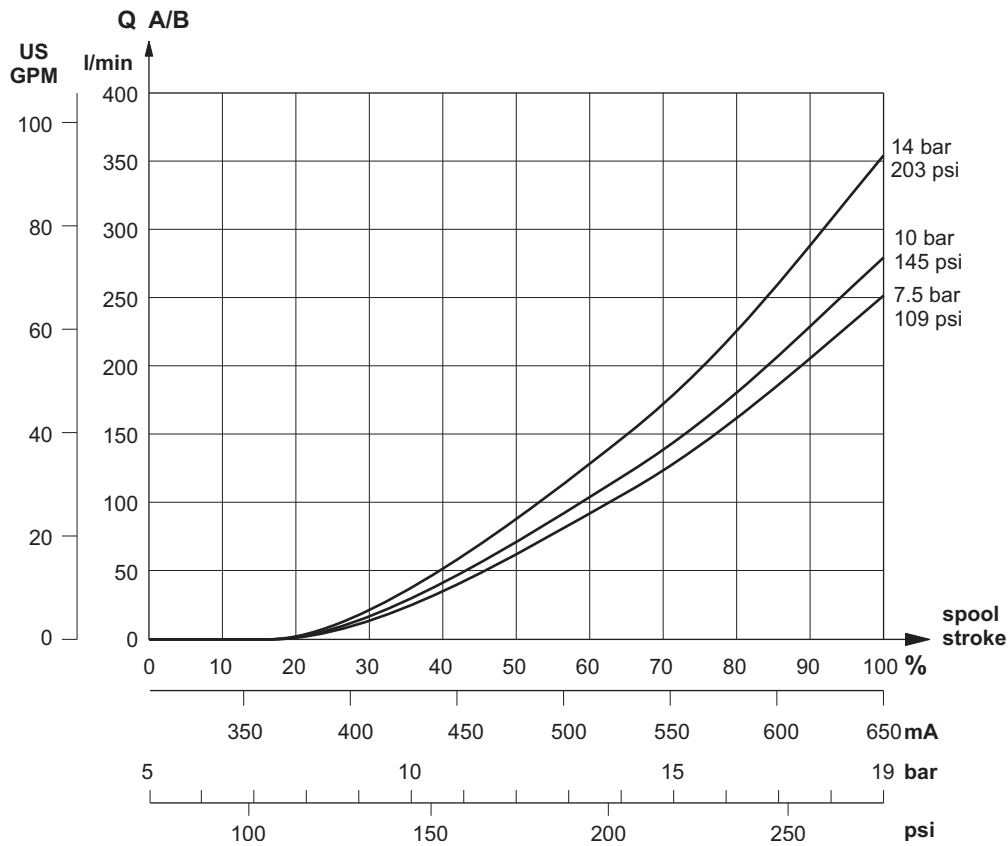
HPV 310 internal (easy replacement) filters, mesh 100 µm.

Mineral oil hydraulic fluid: according to DIN 51524 and 51525 or ISO 6743/4. HPV 310 can also be used with phosphorous esters (HFDR), water-glycol /HFC) or water-oil (HFB) mixes, subject to our Technical Dept. approval.

Hydraulic control - MPPH module			
Pilot pressure	Start	5 bar	72 psi
	End stroke	19 bar	275 psi
Max. pilot pressure		30 bar	436 psi

# Technical data

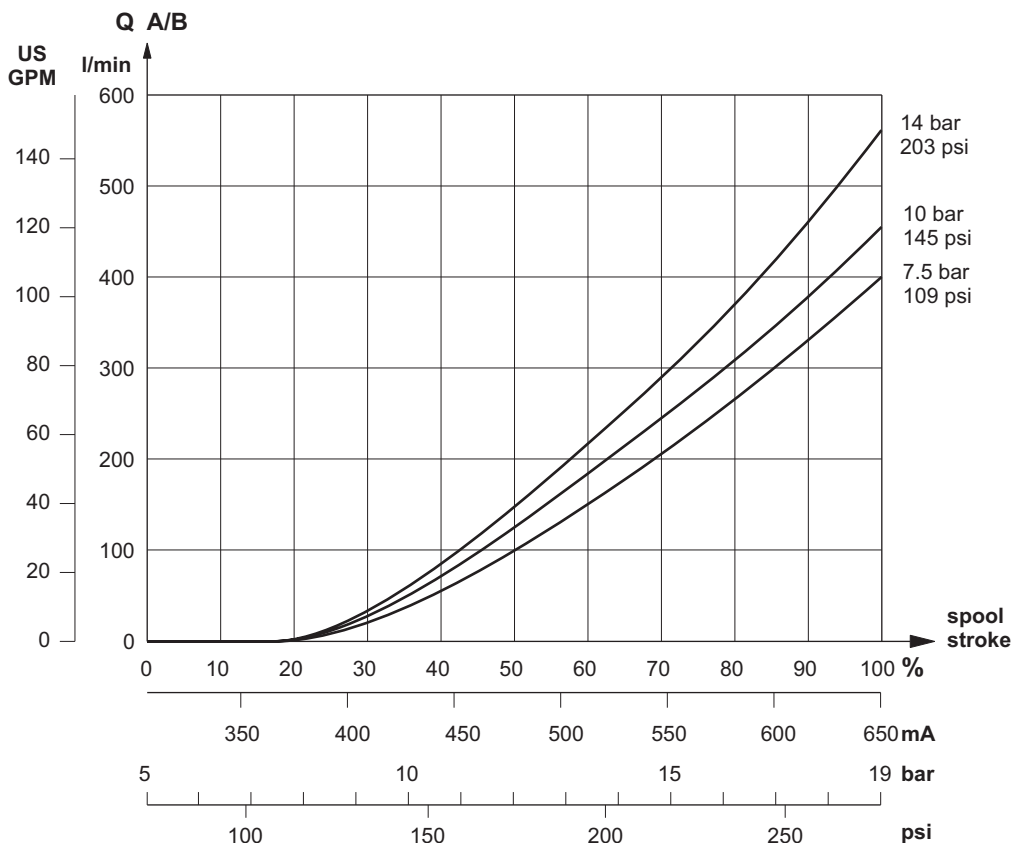
## Spool flow characteristics



Curves measured with oil viscosity of 25 mm<sup>2</sup>/s (cSt) at a temperature of 50 °C [122 °F]

# Technical data

## Characteristic curves

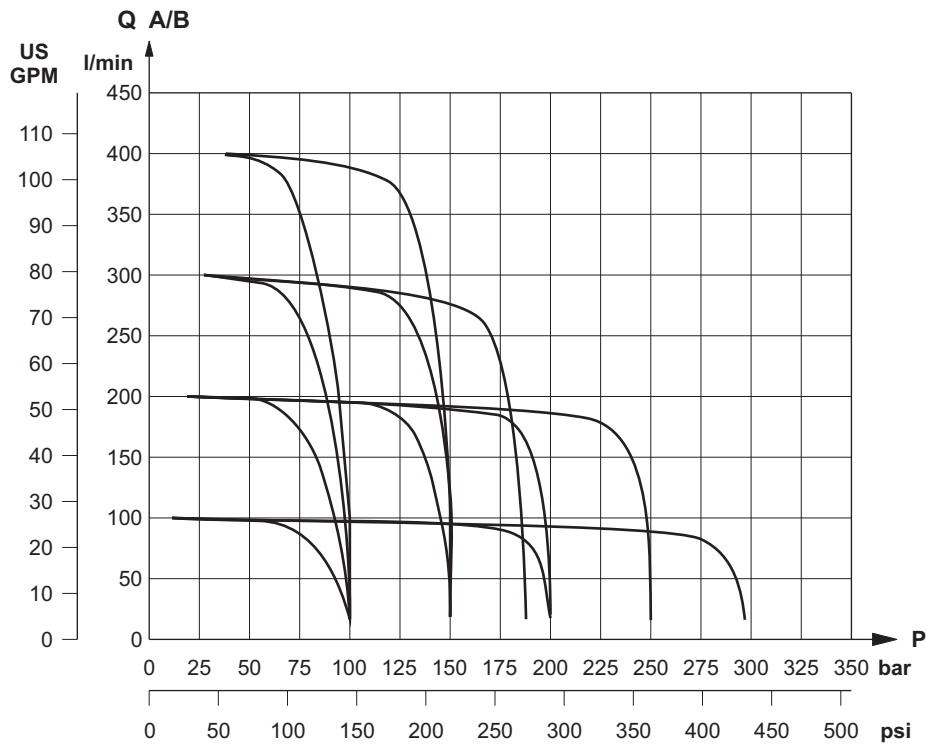


Spool size 70

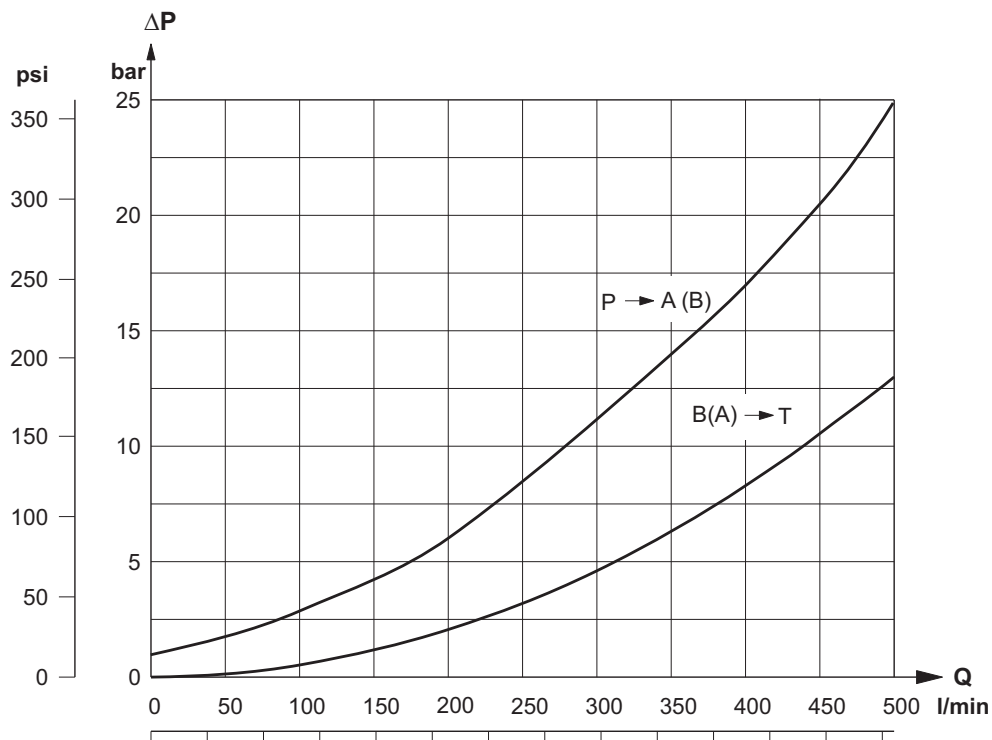
Curves measured with oil viscosity of 25 mm<sup>2</sup>/s (cSt) at a temperature of 50 °C [122 °F]

# Technical data

## Characteristic curves



HEM working sections  
oil flow with LS<sub>A/B</sub> pilot  
relief valves (pressure  
compensated)



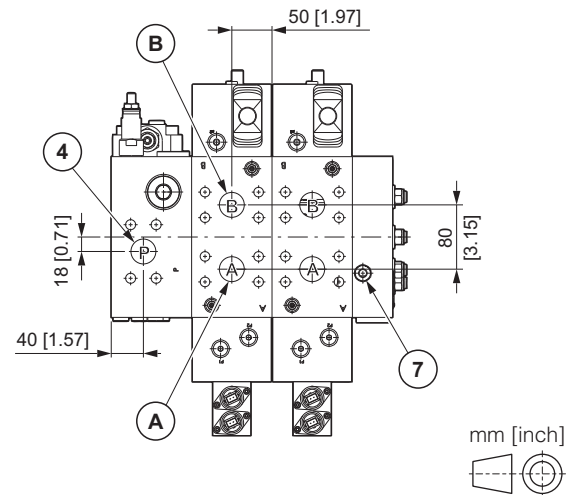
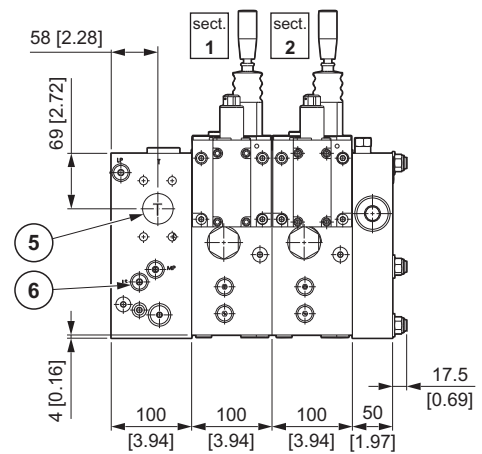
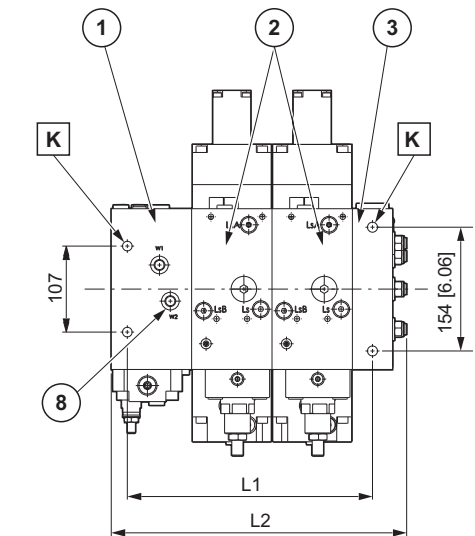
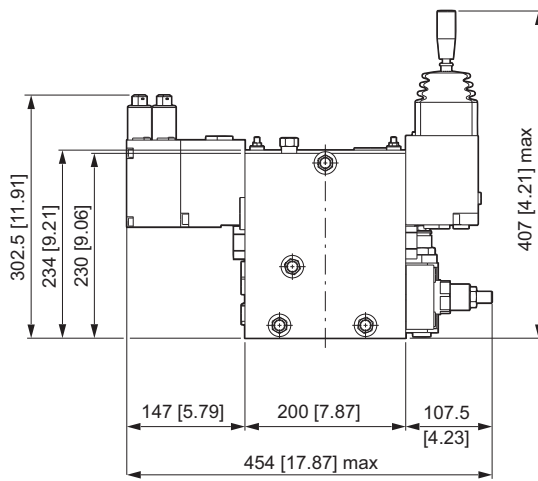
HEM working sections  
pressure drop

Curves measured with oil viscosity of 25 mm<sup>2</sup>/s (cSt) at a temperature of 50 °C [122 °F]

# Overall dimensions and hydraulic diagrams

## HPV 310 overall dimensions with SINGLE inlet section (HSE)

Working Sections	L1 mm [inch]	L2 mm [inch]
1	205 [8.07]	267.5 [10.53]
2	305 [12.01]	367.5 [14.47]
3	405 [15.94]	467.5 [18.41]
4	505 [19.88]	567.5 [22.34]
5	605 [23.82]	667.5 [26.28]
6	705 [27.76]	767.5 [30.22]



- A/B Ports, 1 1/4" SAE 6000 psi
- K Fixing holes , M14x2
- 1 Inlet section HSE
- 2 Working section HEM
- 3 End section HSC
- 4 Pump side port P, 1 1/4" SAE 6000 psi
- 5 Return line port T, 1 1/2" SAE 3000 psi
- 6 LS connection, G 1/4" BSPP
- 7 T1 connection, G 1/4" BSPP
- 8 W2 connection, G 1/4" BSPP

### Fixing instructions

The distributor must be fixed by the fixing holes (K) in the inlet and end sections. We decline all responsibility in the case of malfunctioning or oil leakage caused by the wrong fixing of the distributor.

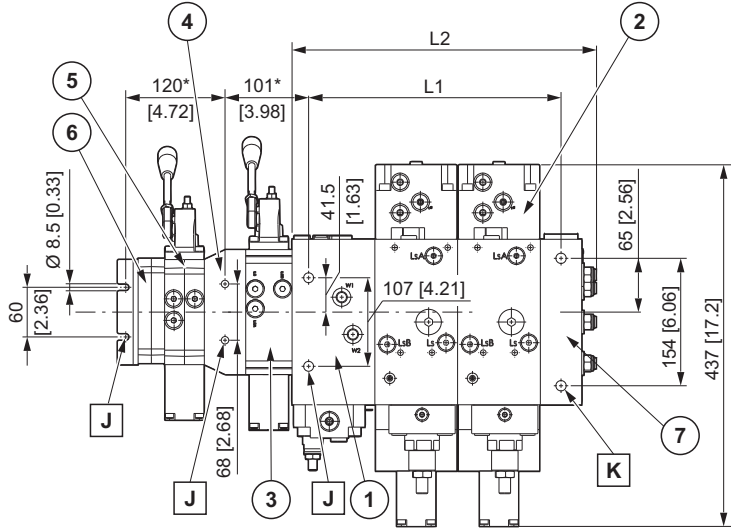
### Note:

See the order form, page D-12.



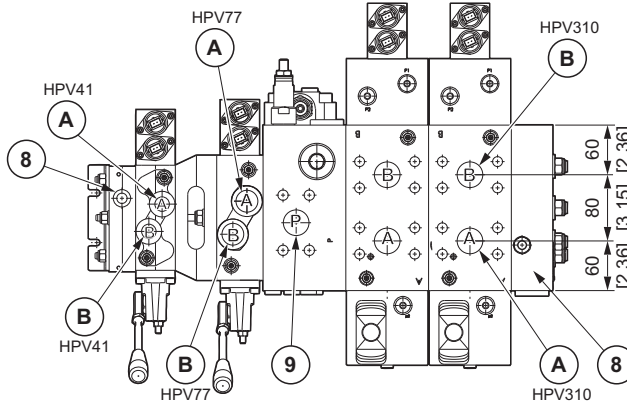
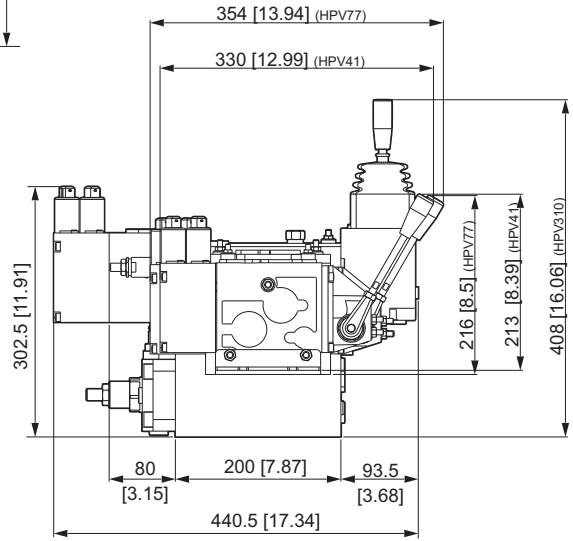
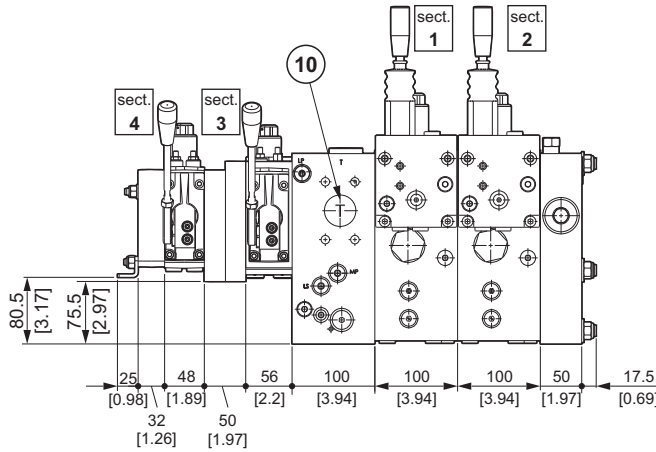
# Overall dimensions and hydraulic diagrams

## Overall dimensions with MID inlet section HPV310 + HPV77 + HPV41



Working Sections	L1 mm[inch]	L2 mm[inch]
1	202 [8.07]	267 [10.53]
2	305 [12.01]	367 [14.47]
3	405 [15.94]	467 [18.41]
4	505 [19.88]	567 [22.34]
5	605 [23.82]	667 [26.28]
6	705 [27.76]	767 [30.22]

\* With 1 working section



mm [inch]

HPV 310

- A/B Ports: HPV310: 1 1/4" SAE 6000 psi  
 HPV77: G 3/4 BSPP or 1 1/16" - 12 UN - 2B (SAE 12)  
 HPV41: 1/2 BSPP or 7/8" - 14 UNF - 2B (SAE 10)

- K Fixing holes HPV310, M14x2  
 J Means and fixing holes M10  
 1 HPV310, intermediate inlet section HFLS  
 2 HPV310, working section HEM  
 3 HPV77, working section HEM  
 4 Interfate between HPV77 and HPV41, HSEF  
 5 HPV41 working section HEM  
 6 HPV41, end section HSC  
 7 HPV310, end section HSC  
 8 T1 connection, G 1/4" BSPP  
 9 Pump side port P, 1 1/2" SAE 6000 psi  
 10 Return line port T, 1 1/2" SAE 3000 psi

### Fixing instructions

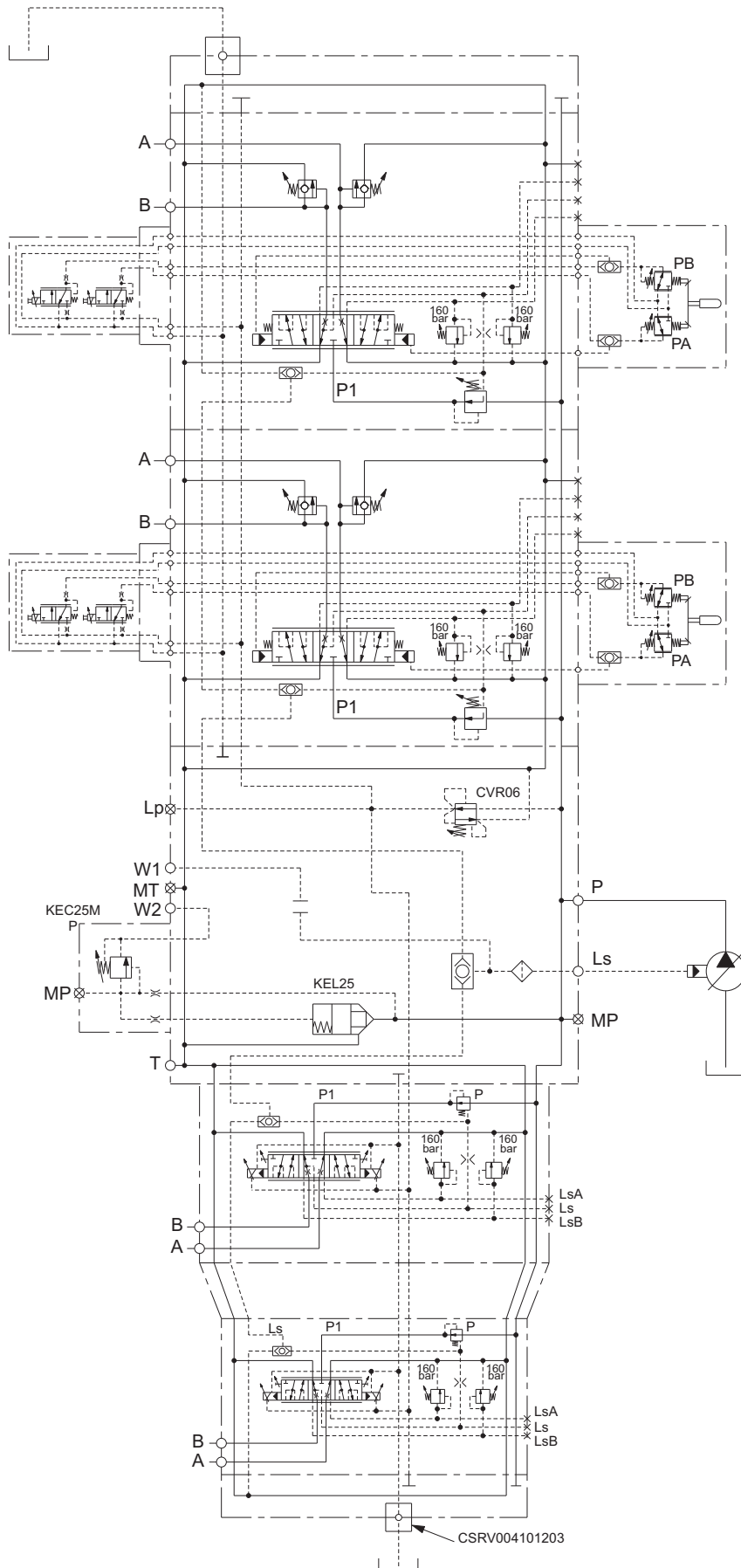
The distributor must be fixed by the holes on HPV310 sections (K) and holes and feet (J) on HPV77 e HPV41 sections. We decline all responsibility in the case of malfunctioning or oil leaks caused by wrong fixing of the distributor.

### Note:

On the working sections HPV77 and HPV41 (as in the above example), the A - B port positions are reversed respect HPV310 section (see also the order form, page D-13).

# Overall dimensions and hydraulic diagrams

Hydraulic diagram with MID inlet section HPV310 + HPV77 + HPV41



HPV 310



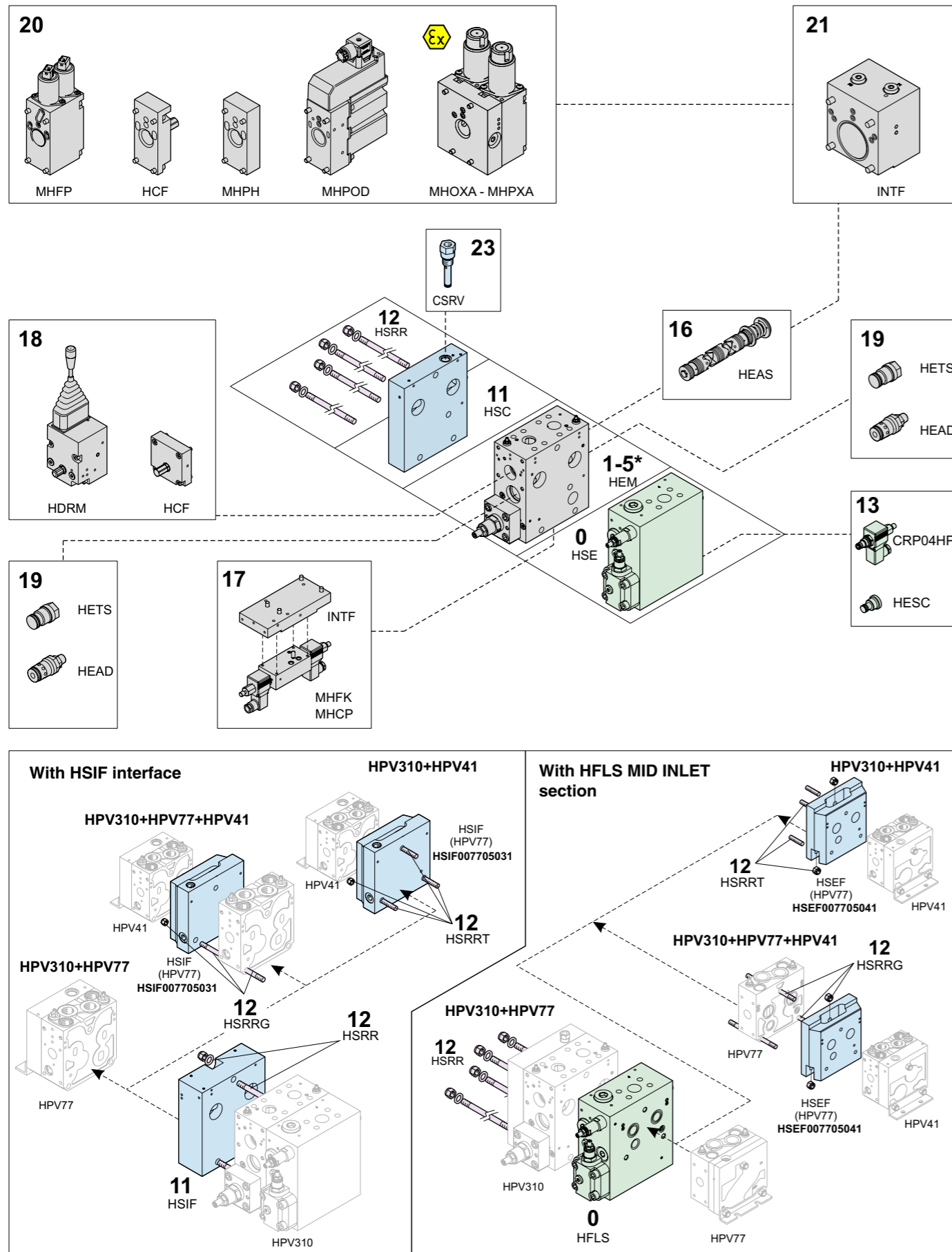
---

**HPV310  
Composition  
form**

**HPV310  
Composition  
form**



# HPV310 Composition form



## FIELD 0 - INLET SECTIONS

HSE - Inlet section for LS or constant pressure pumps .....	D-14
HSE - Inlet section for fixed displacement pumps .....	D-16
HFLS - Mid inlet section for LS or constant pressure pumps .....	D-18
HFLS - Mid inlet section for fixed displacement pumps .....	D-20

## FIELD 1 to 5 - WORKING SECTIONS

HEM - Working section .....	D-23
-----------------------------	------

## FIELD 11 - END SECTIONS

HSC - End section .....	D-42
HSEF - Interface for HPV77 .....	D-43

## FIELD 12 - STAY BOLTS KITS

HSRR - Stay bolts kit for single inlet HSE .....	D-45
HSRR-HSRRG - Stay bolts kit for HSIF interfaces .....	D-46
HSRR-HSRRG - Stay bolts kit for intermediate inlet HSIF and HSEF interface .....	D-47

## FIELD 13 - FACILITIES FOR SOLENOID LS UNLOADING VALVES

HSET - Plug .....	D-22
CRP04HP - Electrical valve .....	D-22

## FIELD 16 - SPOOLS

HEAS - Main spools .....	D-25
--------------------------	------

## FIELD 17 - ELECTRICAL UNLOADING LSA-B MODULE

INTF - Adapter for MHFO-MHCP modules .....	D-39
MHFO - Unloading module .....	D-40
MHCP - Unloading module .....	D-41

## FIELD 18 - MECHANICAL ACTUATORS

HDRM - Manual control .....	D-27
HCF - Rear cover .....	D-29

## FIELD 19 - SHOCK AND SUCTION VALVE

HEAD, HETS - Valves and plugs .....	D-26
-------------------------------------	------

## FIELD 20 - HYDRAULIC AND ELECTRICAL ACTUATORS

MHPF - Current controls for HEM working sections .....	D-31
MHPD - Voltage controls for HEM working sections .....	D-33
MHOXAB/MHPXAB - Electrohydraulic modules ATEX .....	D-35
MHPH - Hydraulic activation .....	D-37
HCF Rear cover .....	D-38

## FIELD 21 - ADAPTER

INTF - Adapter for HEM working sections .....	D-30
---	------

## FIELD 23 - ACCESSORIES FOR HSC ELEMENTS

CSRV - External drain cartridge .....	D-44
---------------------------------------	------

SPARE PARTS KIT .....	D-48
-----------------------	------

# Order form

---

This order form is the only one ensuring that the product will be defined and ordered correctly without any possible mistakes. It is divided into sectors of pertinence, from 0 to 24, within which the code of the required module must be inserted.

It is also necessary to indicate:

- the setting in bar of the pressure relief valve (sector 0, inlet section);
- when requested, the setting in bar of the LsA/LsB pressure relief valves (sectors 1 to 5, HEM spool elements);

Dana suggests to indicate the pump type and the flow that feeds the proportional valve, so it is possible to test it in working conditions.

The valve is always assembled as indicated in the module assembly selection table.

# Order form

With SINGLE inlet section (HSE)

Controlled function	B Port		Field	11	23	A Port		Controlled function	
				12					
	18		10	bar	16		18		
	19			LsA				19	
	20			LsB		17		20	
	21			22	bar			21	
	18		9	bar	16		18		
	19			LsA				19	
	20			LsB		17		20	
	21			22	bar			21	
	18		8	bar	16		18		
	19			LsA				19	
	20			LsB		17		20	
	21			22	bar			21	
	18		7	bar	16		18		
	19			LsA				19	
	20			LsB		17		20	
	21			22	bar			21	
	18		6	bar	16		18		
	19			LsA				19	
	20			LsB		17		20	
	21			22	bar			21	
	18		5	bar	16		18		
	19			LsA				19	
	20			LsB		17		20	
	21			22	bar			21	
	18		4	bar	16		18		
	19			LsA				19	
	20			LsB		17		20	
	21			22	bar			21	
	18		3	bar	16		18		
	19			LsA				19	
	20			LsB		17		20	
	21			22	bar			21	
	18		2	bar	16		18		
	19			LsA				19	
	20			LsB		17		20	
	21			22	bar			21	
	18		1	bar	16		18		
	19			LsA				19	
	20			LsB		17		20	
	21			22	bar			21	
Note			0	P	13		Note		
						14			
					bar	15			

Right HPV feed (Standard)

Left HPV feed



### MAIN INFORMATION

- Pump type  Fixed displ.  LS control  Constant pressure
- Pump flow, l/1' 000 liter / min
- Type of threads  UNF  BSPP
- Reference tension  12 V  24 V  Not required
- Electric devices  Standard  Atex PWM  ATEX Tens

Customer:	
Item description:	
Compilation form date:	
Our valve internal code	
Customer reference code	
Compilation form modification index	
Order No.:	Order quantity
Order Date:	Net price EUR
Delivery date:	PRICE LIST 2018 - vers. BSPP ( GAS )
Order ack. N°:	Quotazione n° :

This composition form shall not be deemed as a Manufacturer's recommendation. We decline any responsibilities.


NOTE: For working sections numbering, see page D-5.

# Order form

With MID inlet section (HFLS)

Controlled function	B Port	Field	11	23	A Port	Controlled function
			12			
	18	6	bar	16		18
	19		LsA			19
	20		LsB	17		20
	21		22			21
	18	5	bar	16		18
	19		LsA			19
	20		LsB	17		20
	21		22			21
	18	4	bar	16		18
	19		LsA			19
	20		LsB	17		20
	21		22			21
	18	3	bar	16		18
	19		LsA			19
	20		LsB	17		20
	21		22			21
	18	2	bar	16		18
	19		LsA			19
	20		LsB	17		20
	21		22			21
	18	1	bar	16		18
	19		LsA			19
	20		LsB	17		20
	21		22			21
HFLS	A Port	0	P	13	B Port	HFLS
			bar	14		
				15		
	18	7	bar	16		18
	19		LsA			19
	20		LsB	17		20
	21		22			21
	18	8	bar	16		18
	19		LsA			19
	20		LsB	17		20
	21		22			21
	18	9	bar	16		18
	19		LsA			19
	20		LsB	17		20
	21		22			21
	18	10	bar	16		18
	19		LsA			19
	20		LsB	17		20
	21		22			21
	18	11	bar	16		18
	19		LsA			19
	20		LsB	17		20
	21		22			21
	18	12	bar	16		18
	19		LsA			19
	20		LsB	17		20
	21		22			21
Note			11	23	Note	
			12			

HPV 310

HPV feed with HFLS module    
 HPV feed with HPFS module

**MAIN INFORMATION**

Pump type  Fixed displ.  LS control  Constant pressure  
 Pump flow, l/1' 000 liter / min  
 Type of threads  UNF  BSPP  
 Reference tension  12 V  24 V  Not required  
 Electric devices  Standard  Atex PWM  ATEX Tens

Customer:	
Item description:	
Compilation form date:	
Our valve internal code	
Customer reference code	
Compilation form modification index	
Order No.:	Order quantity
Order Date:	Net price EUR
Delivery date:	PRICE LIST 2018 - vers. BSPP ( GAS )
Order ack. N°:	Quotazione n° :

This composition form shall not be deemed as a Manufacturer's recommendation. We decline any responsibilities.

NOTE: For working sections numbering, see page D-7.



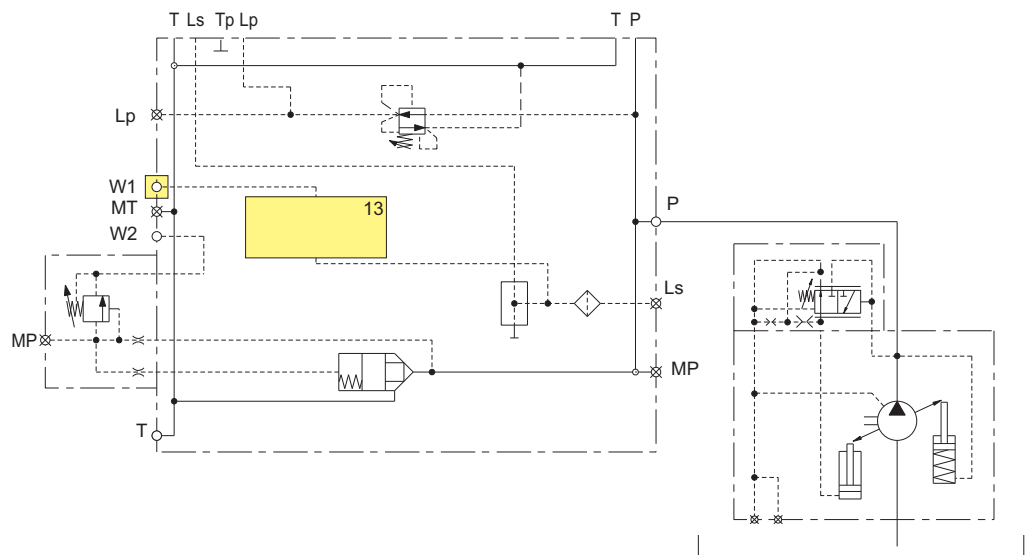
### Features

- Built in pilot pressure relief valve
- System with LS variable displacement pumps
- System with constant pressure variable displacement pumps
- Built in central pilot oil supply
- Solenoid LS unloading valve
- P port gauge connection: SAE 1" 1/4 6000 psi
- T port gauge connection: SAE 1" 1/2 3000 psi
- Ls Connection: 1/4" BSPP
- Hydraulic features: see page D-1.
- Made in cast iron

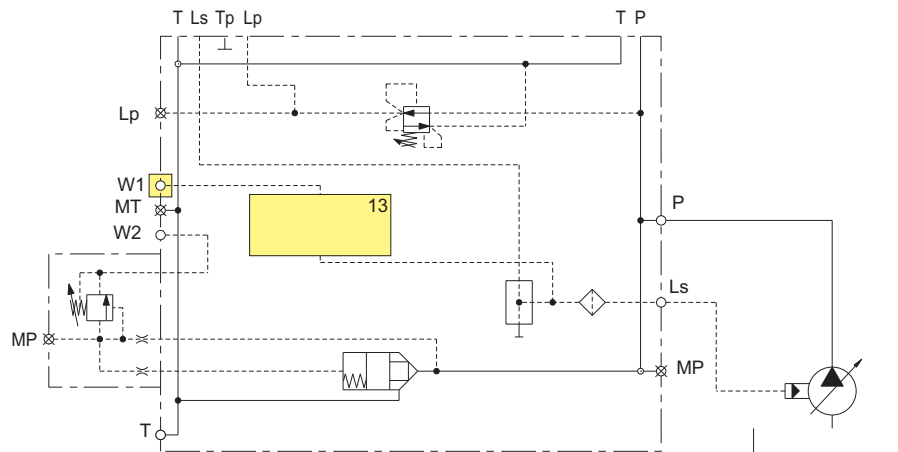
### Code

HSE0003101012

Example with inlet module for constant pressure systems (LS plugged)



Example with inlet module for LS variable displacement pumps (LS not plugged)



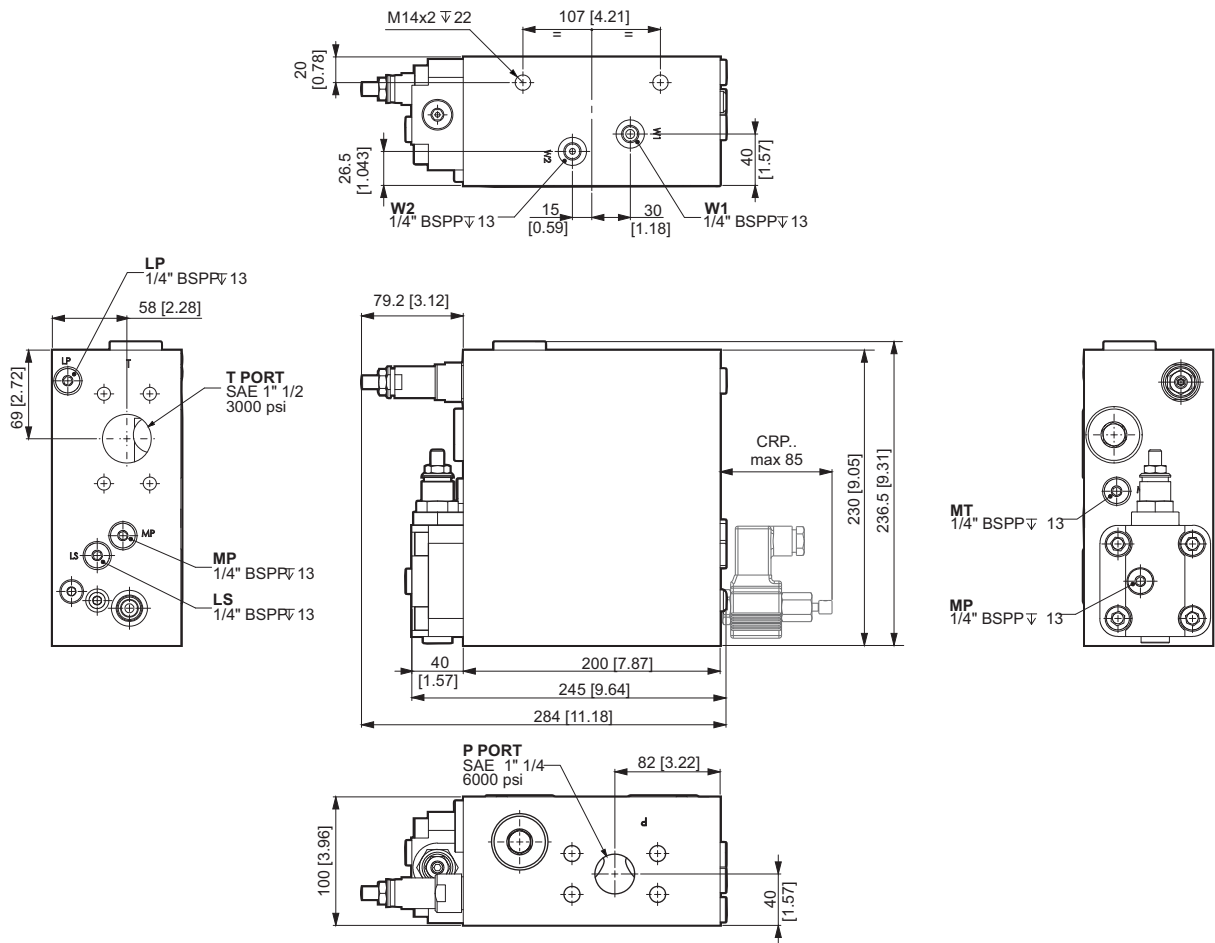
13 Seats, see accessories tables page D-22.

HPV 310

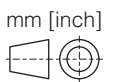
# HSE inlet section for LS or constant pressure pumps

Field 0

## HSE inlet module overall dimensions



HPV 310





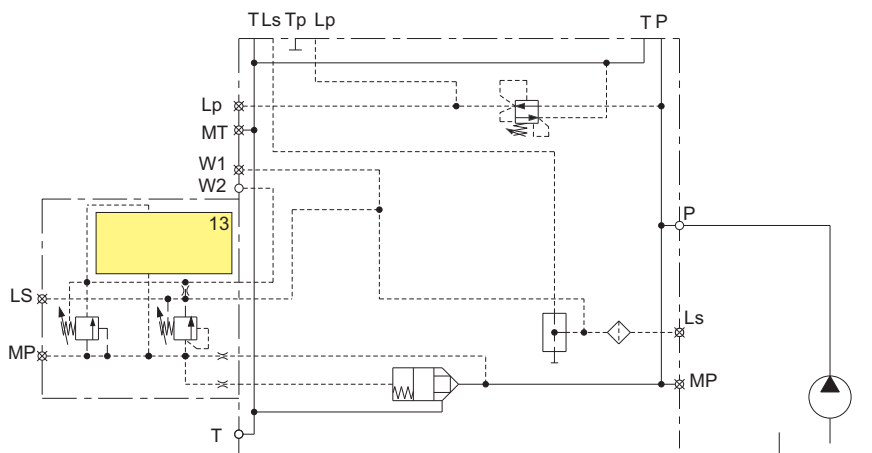
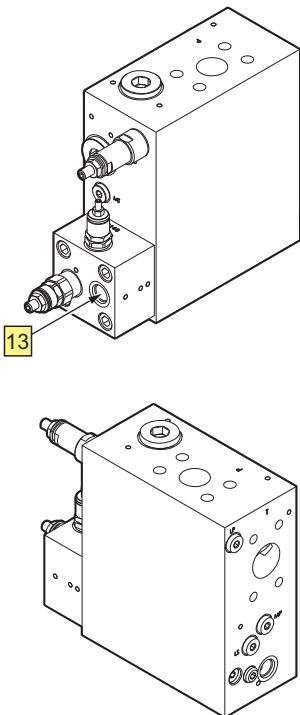
### Features

- Built in pilot pressure relief valve
- System with constant pressure variable displacement pumps
- Built in central pilot oil supply
- Solenoid LS unloading valve
- P port gauge connection: SAE 1" 1/4 6000 psi
- T port gauge connection: SAE 1" 1/2 3000 psi
- Hydraulic features: see page D-1.
- Made in cast iron

If connected with HPV41 or HPV77 proportional valves use only HPV41 or HPV77 special elements code HEM00S\*\*\* (S identify elements without cap on LS line).

Code
HSE0003101310

Example with inlet module for fixed displacement pumps



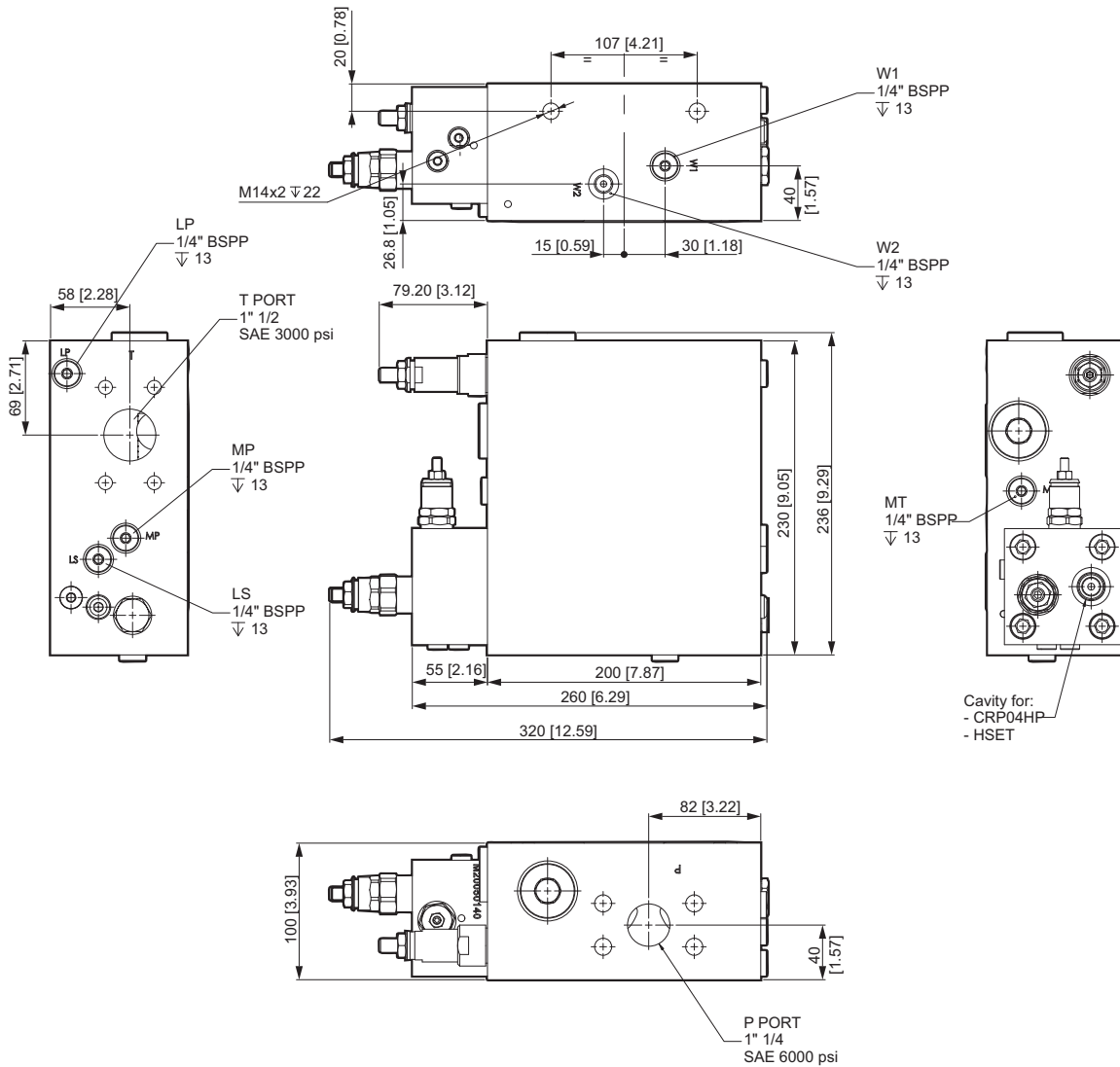
13 Seats, see accessories tables page D-22.



# HSE inlet section for fixed displacement pumps

Field 0

## HFLS inlet module overall dimensions





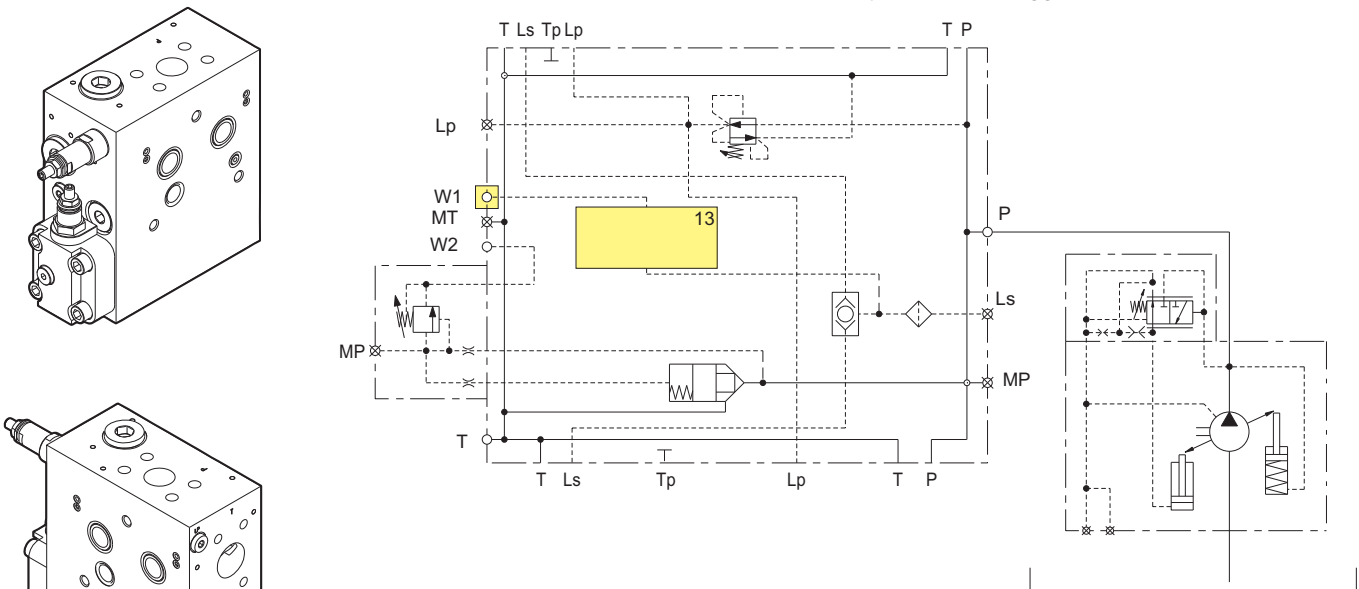
### Features

- Built in pilot pressure relief valve
- System with LS variable displacement pumps
- System with constant pressure variable displacement pumps
- Built in central pilot oil supply
- Solenoid LS unloading valve
- P port gauge connection: SAE 1" 1/4 6000 psi
- T port gauge connection: SAE 1" 1/2 3000 psi
- Ls Connection: 1/4" BSPP
- Hydraulic features: see page D-1.
- Made in cast iron

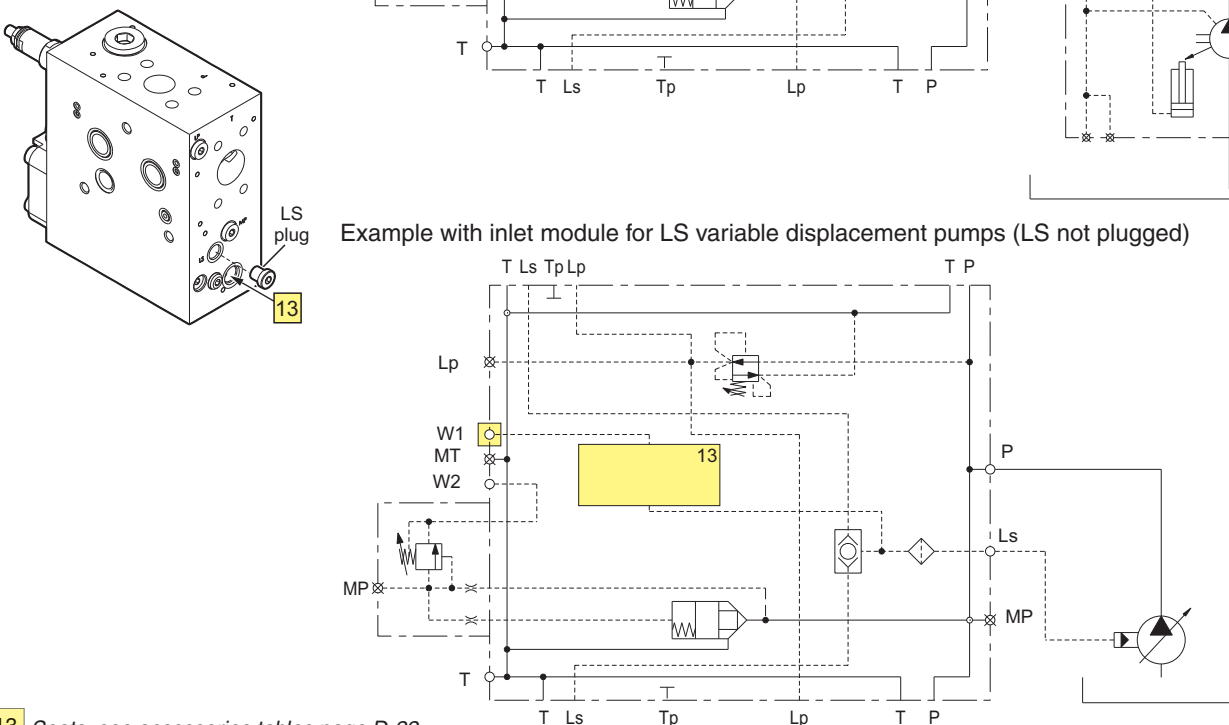
### Code

HFLS003101212

Example with inlet module for constant pressure systems (LS plugged)



Example with inlet module for LS variable displacement pumps (LS not plugged)

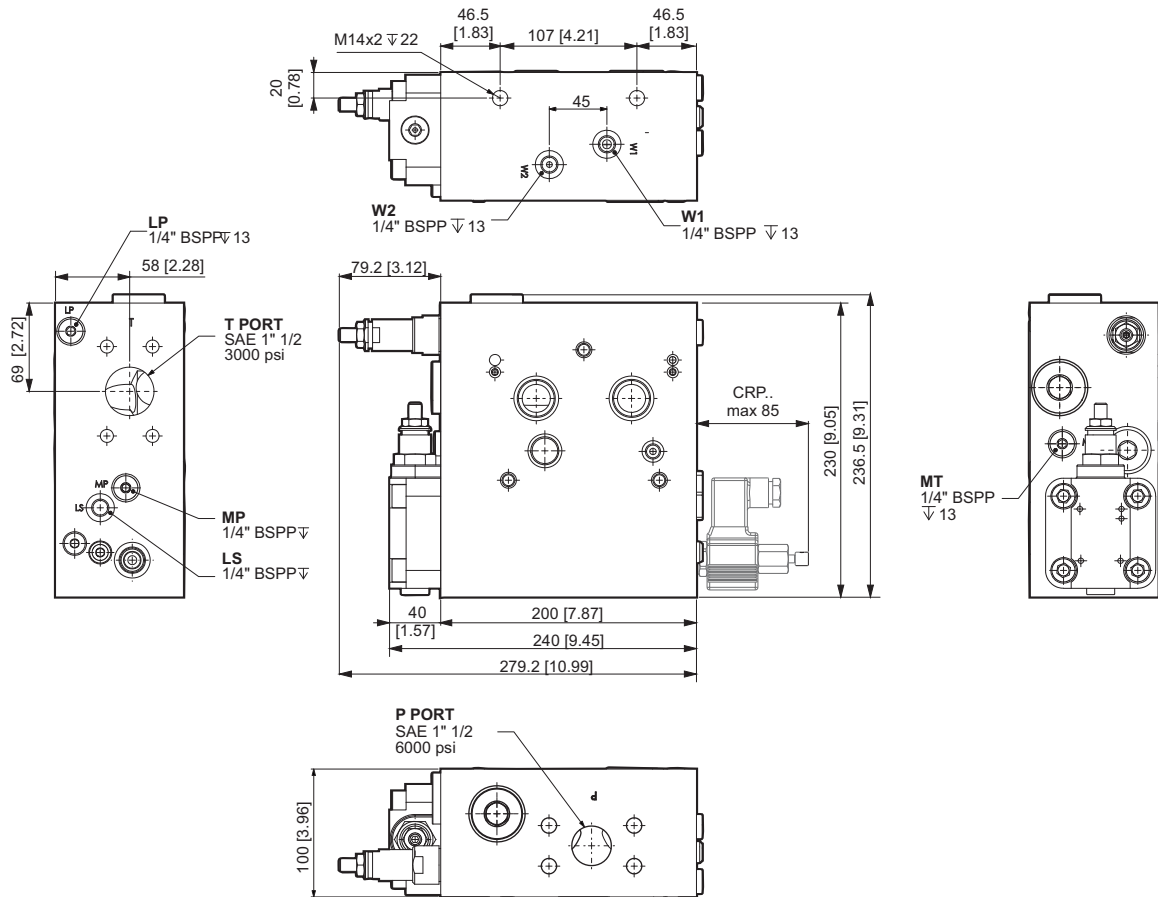


13 Seats, see accessories tables page D-22.

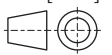
# HFLS mid inlet section for LS or constant pressure pumps

Field 0

## HFLS inlet module overall dimensions



mm [inch]



HPV 310



### Features

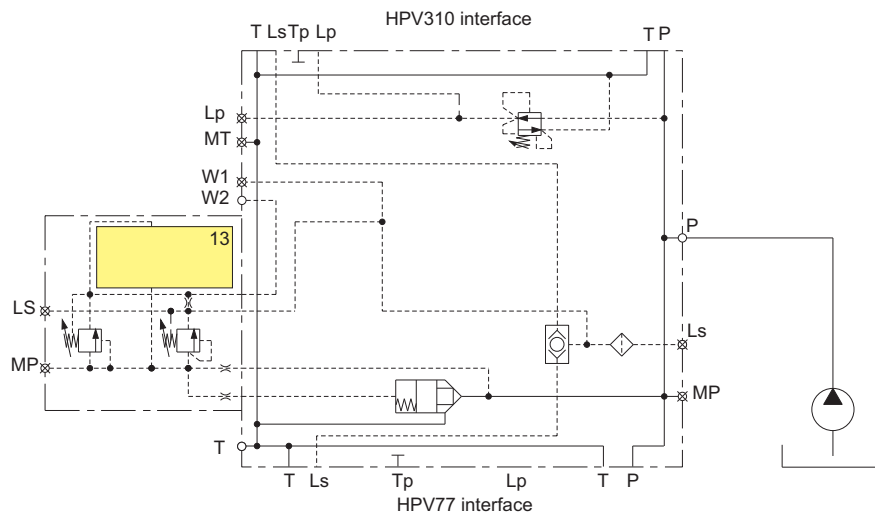
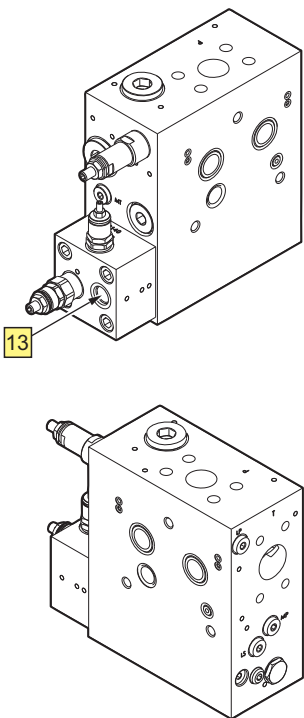
- Built in pilot pressure relief valve
- System with constant pressure variable displacement pumps
- Built in central pilot oil supply
- Solenoid LS unloading valve
- P port gauge connection: SAE 1" 1/4 6000 psi
- T port gauge connection: SAE 1" 1/2 3000 psi
- Hydraulic features: see page D-1.
- Made in cast iron

If connected with HPV41 or HPV77 proportional valves use only HPV41 or HPV77 special elements code HEM00S\*\*\* (S identify elements without cap on LS line).

Code
HFLS003101310

Example with inlet module for fixed displacement pumps

HPV 310

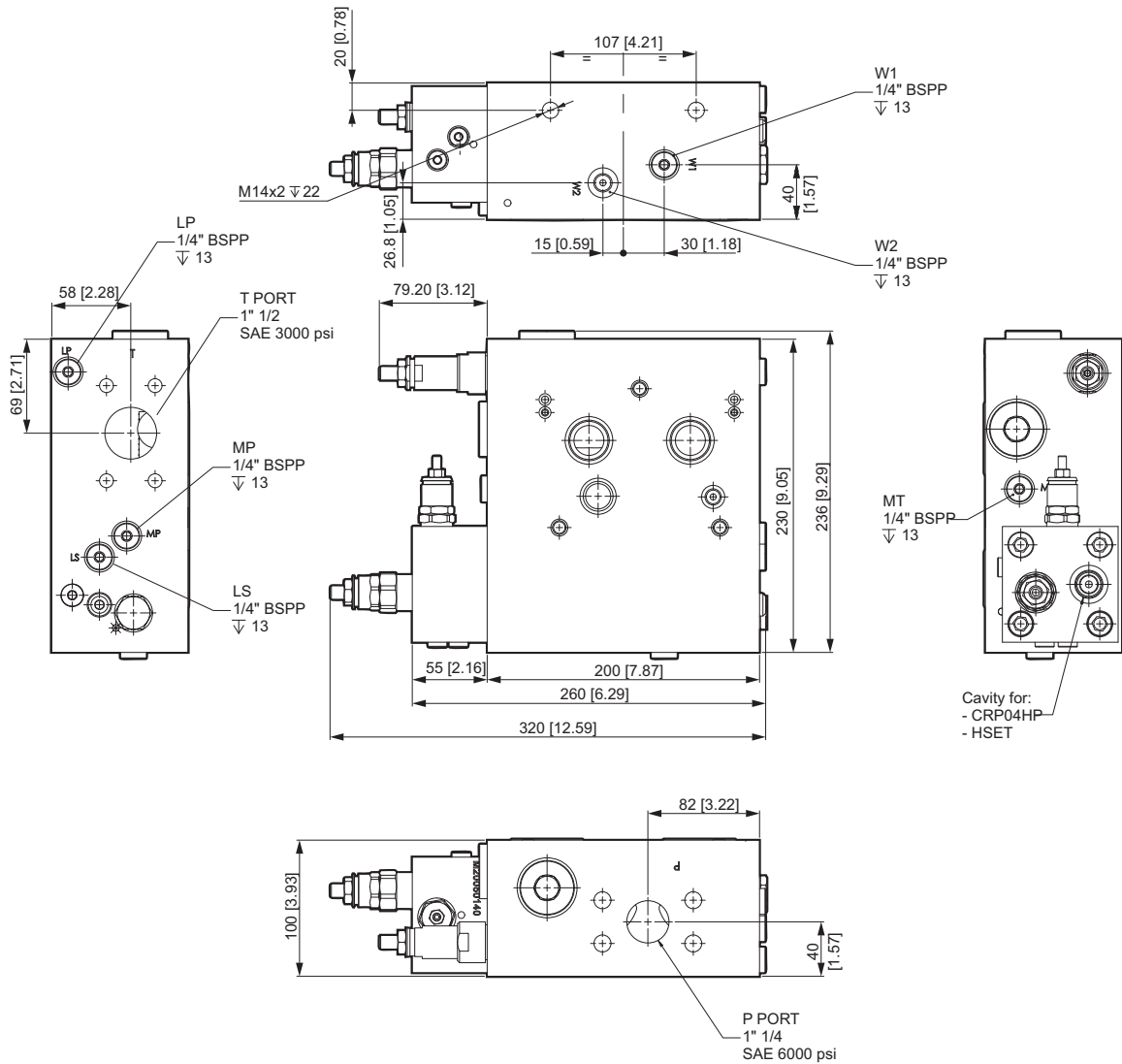


13 Seats, see accessories tables page D-22.

# HFLS mid inlet section for fixed displacement pumps

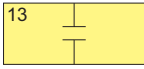

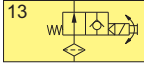
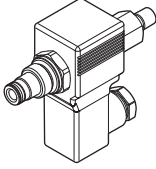
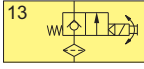
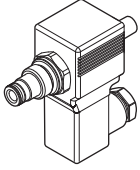
Field 0

## HFLS inlet module overall dimensions



HPV 310

Field 13 - Facilities for solenoid Ls unloading valve

Code	Description	Symbol	Draw
<b>HESC003103015</b>	<b>HESC</b> Kit with closing cover for CRP04 and W1 threaded hole		
<b>CRP04HPNAAELP31</b> 14 Vdc	<b>CRP04HP</b> High pressure piloted operated solenoid valve <b>normally open</b>		
<b>CRP04HPNAAEMP31</b> 28 Vdc			
<b>CRP04HPNCAEL001</b> 14 Vdc	<b>CRP04HP</b> High pressure piloted operated solenoid valve <b>normally closed</b>		
<b>CRP04HPNCAEM001</b> 28 Vdc			

**Note: ATEX distributors can be mounted only with HESC kit.**

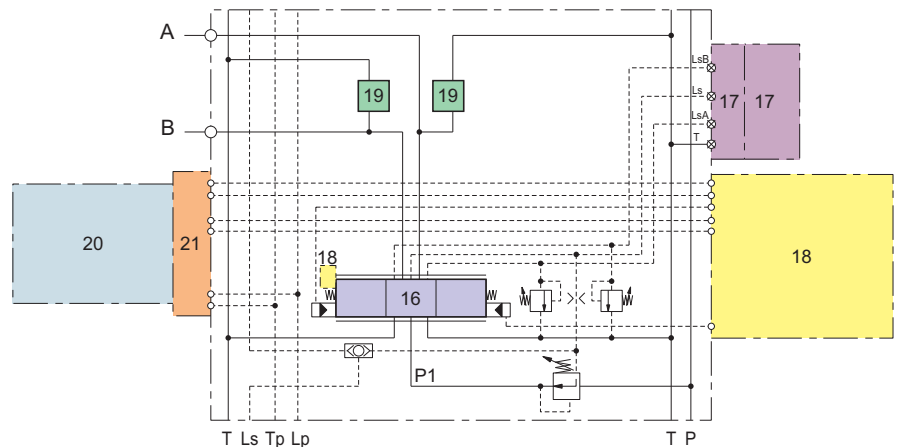
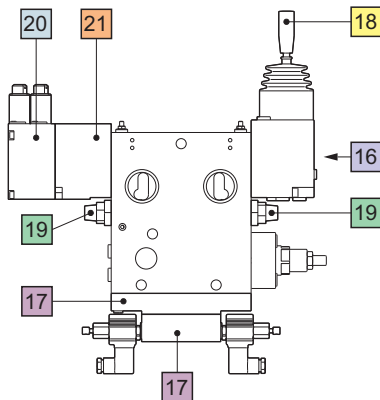
**HPV 310**



### Features

- Built-in adjustable pressure compensator
- Symmetrical distribution that allows the manual activation position to be reversed with all servocontrols
- Built-in adjustable pilot operated shock-suction valves
- Interchangeable spools
- LS and LSA/B pilot connections
- LSA/B pilot relief valves
- LS and LSA/B electrical unloading (work in progress, not available yet)
- Electrical actuation
- MHPF, PWM signal, open loop control
- MHPOD, 0-10 V, 0-20 mA, 0,5 UDC signal, open loop control
- MHPED, 0-10 V, 0-20 mA, 0,5 UDC signal, closed loop control (work in progress, not available yet)
- Mechanical flow adjustment
- Made in cast iron

Code
HEM0003103010

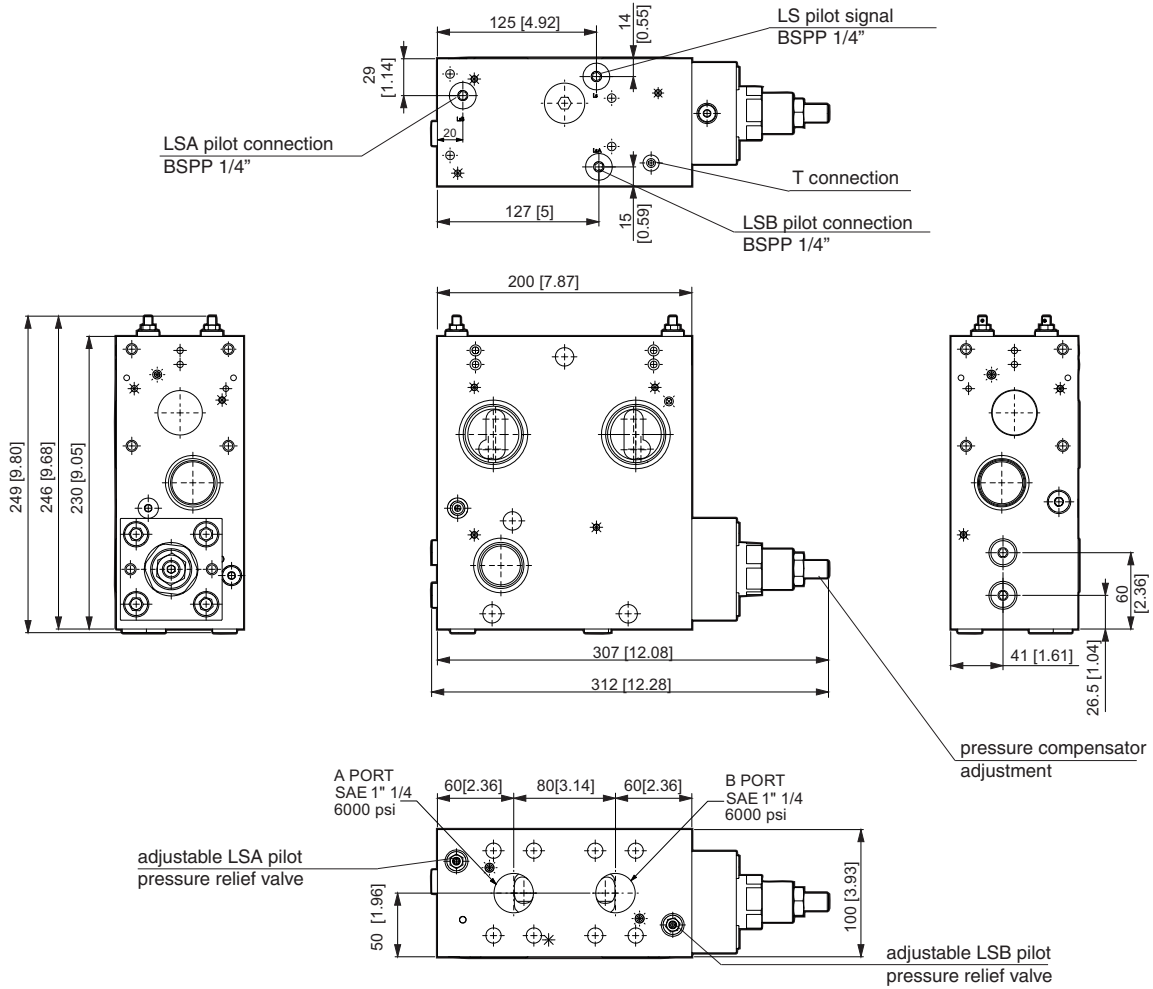


**HPV 310**

Field	Description	Page
16	HEAS - Main spools	D-25
	INTF - Adapter	D-39
17*	MHFO - Unloading module Ls A/B	D-40
	MHCP - Unloading module Ls A/B	D-41
18	HDRM Manual control	D-27
	HCF - Rear cover	D-29
19	HEAD, HETS - Valves and plugs	D-26
20	MHPF - Current controls for HEM working sections	D-31
	MHPOD - Voltage controls for HEM working sections	D-33
	MHOXAB/MHPXAB - Electrohydraulic modules ATEX	D-35
	MHPH - Hydraulic activation	D-37
	HCF - Rear cover	D-38
21	INTF - Adapter for HEM working sections	D-30

\* optional

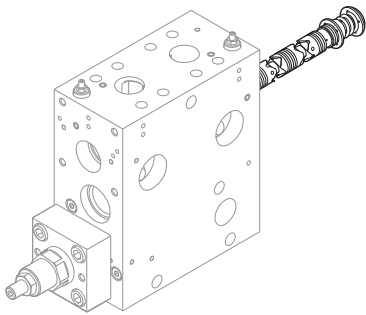
## HEM module overall dimensions



mm [inch]

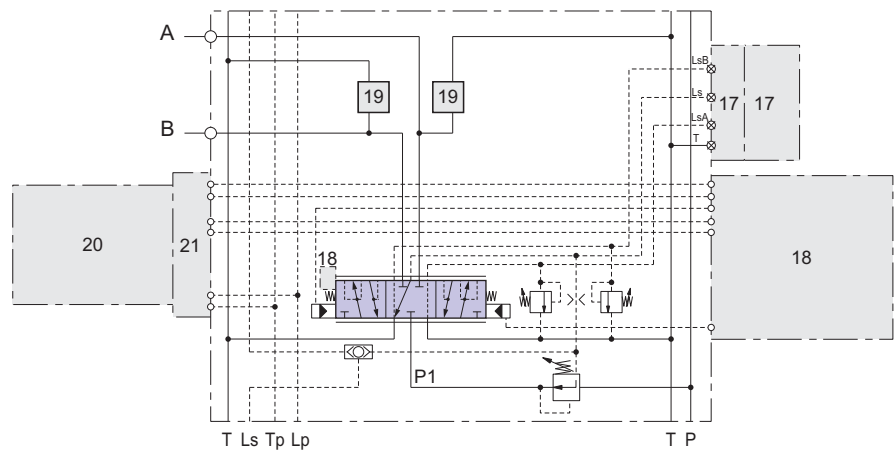
HPV 310



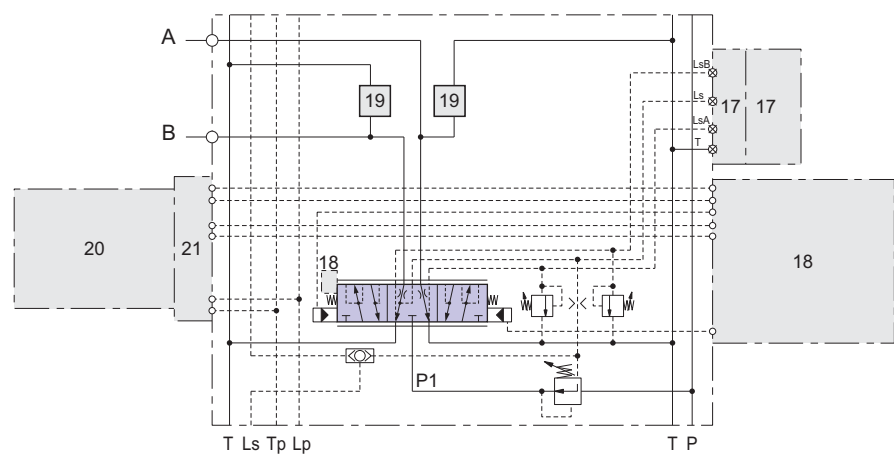


Spool type		Code	Size	$\Delta p$ bar [psi]	Flow range l/min [US GPM]	Symbol
01N	4-way, 3-position A, B closed	HEAS003104200	05	8 ÷ 14 [116 ÷ 203]	180 ÷ 270 [48 ÷ 71]	
		HEAS003104225	10	8 ÷ 14 [116 ÷ 203]	250 ÷ 320 [66 ÷ 85]	
		HEAS003104240	40	8 ÷ 14 [116 ÷ 203]	310 ÷ 410 [82 ÷ 108]	
		HEAS003104265	70	8 ÷ 14 [116 ÷ 203]	410 ÷ 500 [108 ÷ 132]	
03N	4-way, 3-position A, B → T	HEAS003104300	05	8 ÷ 14 [116 ÷ 203]	180 ÷ 270 [48 ÷ 71]	
		HEAS003104325	10	8 ÷ 14 [116 ÷ 203]	250 ÷ 320 [66 ÷ 85]	
		HEAS003104340	40	8 ÷ 14 [116 ÷ 203]	310 ÷ 410 [82 ÷ 108]	
		HEAS003104365	70	8 ÷ 14 [116 ÷ 203]	410 ÷ 500 [108 ÷ 132]	

Example with 01N spool



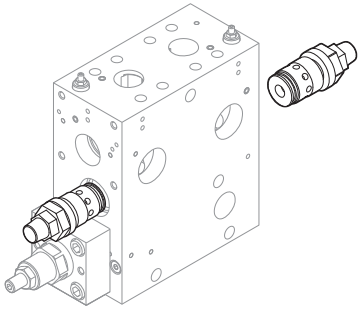
Example with 03N spool



HPV 310

### Shock and suction valve for A – B ports

HEAD is designed to absorb shock effects only. Don't use it as a pressure relief valve.  
Setting up to 400 bar [5800 psi].

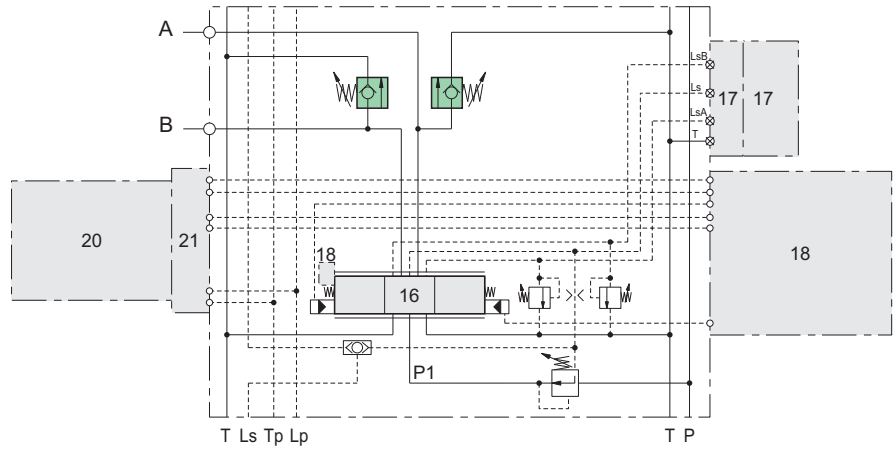


**HEAD**

Code (\*)

HEAD003101450

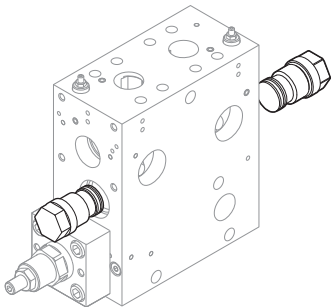
### Example with HEAD valves



### Plug for closing shock ports

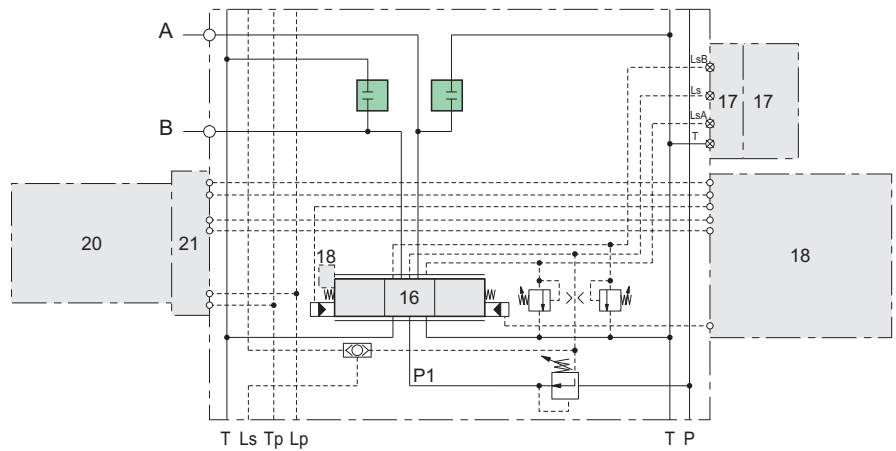
Code (\*)

HETS003103000

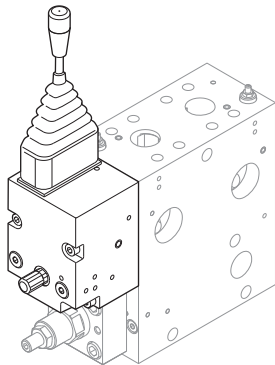


**HETS**

### Example with HETS plugs



(\*) In the order form indicate the lines A and/or B on which the valves are to be mounted



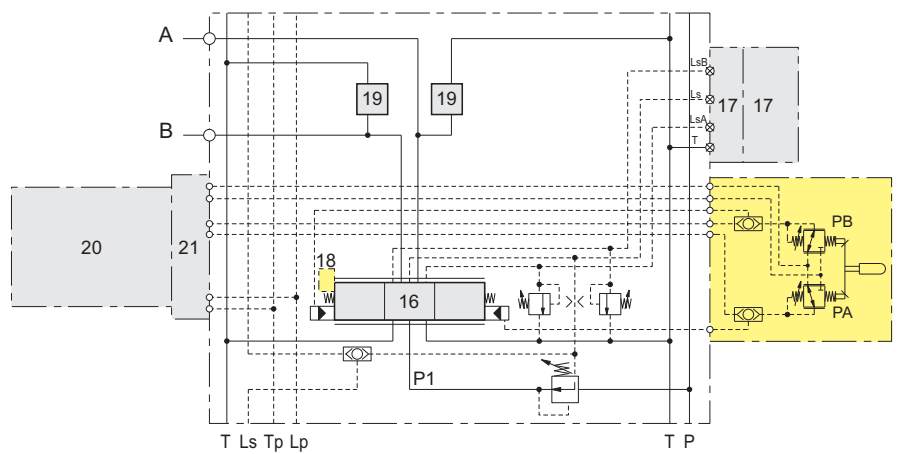
**HDRM**

**Manual activation**

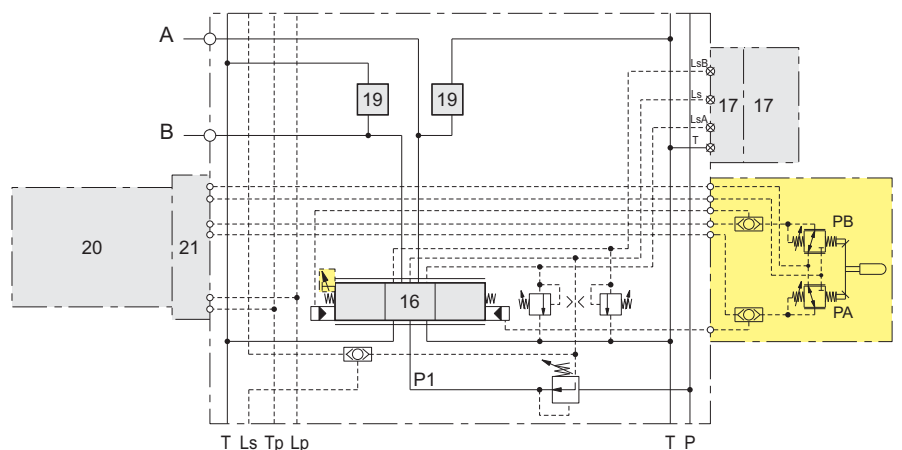
HDRM manual actuations operate on the basis of direct operated pressure reducing valves. HDRM control devices basically comprise a control lever, two pressure reducing valves and a housing. When the control lever is deflected, as a result of the interaction with the two pressure reducing valves the relevant pilot pressure is a function of the control lever position, enabling a highest metering spool control.

Code	Description
HDRM003107001	Manual actuator <b>without spool stroke limiter</b> for electric control
HDRM003107002	Manual actuator <b>with spool stroke limiter</b> for electric control
HDRM003107003	Manual actuator <b>without spool stroke limiter</b> for manual control
HDRM003107004	Manual actuator <b>with spool stroke limiter</b> for manual control

Example with HDRM003107001 without spool stroke limiter for electric control (on field 20).

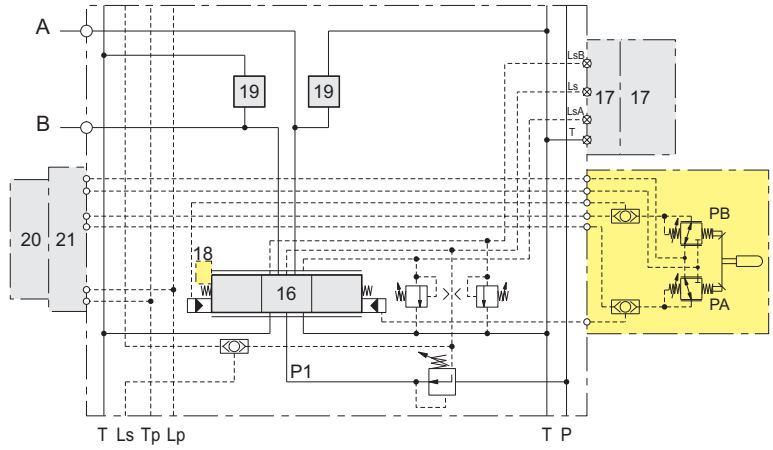


Example with HDRM003107002 with spool stroke limiter for electric control (on field 20).

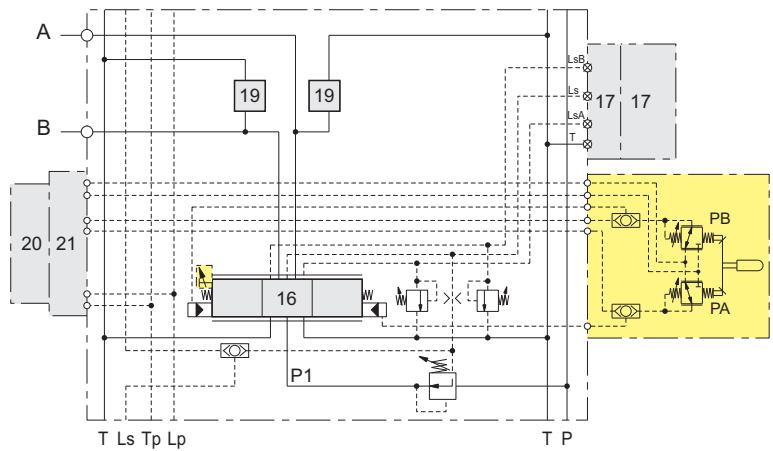


**HPV 310**

Example with HDRM003107003 without spool stroke limiter for manual control (on field 20).

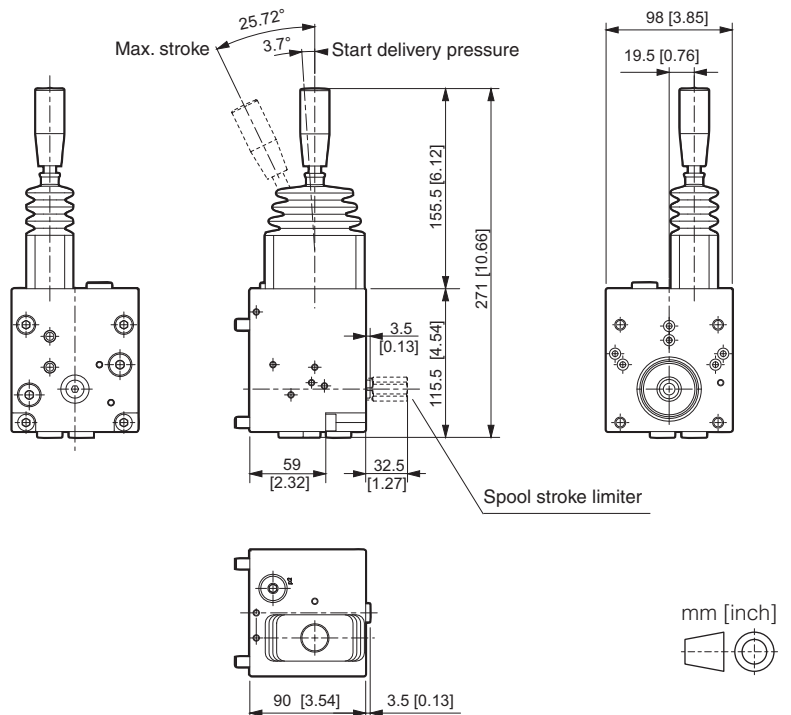


Example with HDRM003107004 with spool stroke limiter for manual control (on field 20).



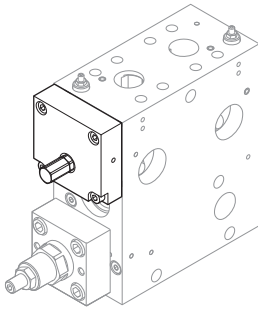
HPV 310

## HDRM control overall dimensions



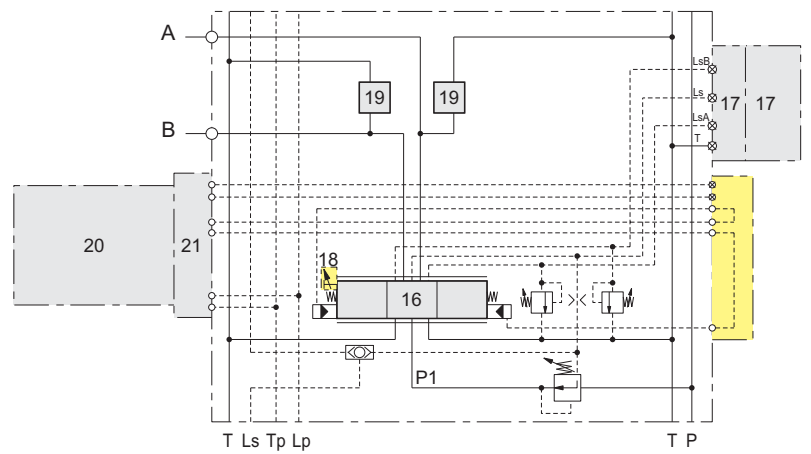
## Flange with / without stroke limiter

Code	Description
HCF0003104010	Flange with stroke limiter
HCF0003104011	Flange without stroke limiter

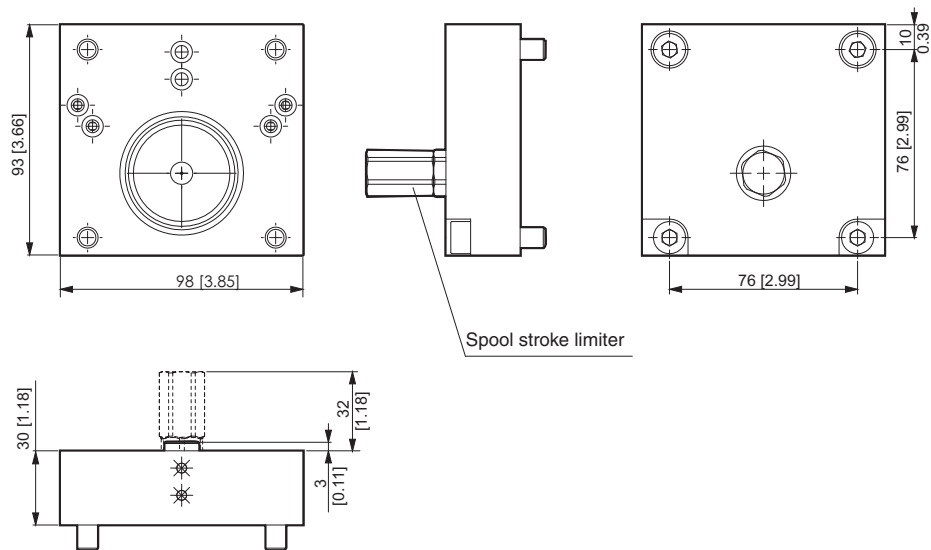


**HCF**

### Example with HCF with spool stroke limiter.



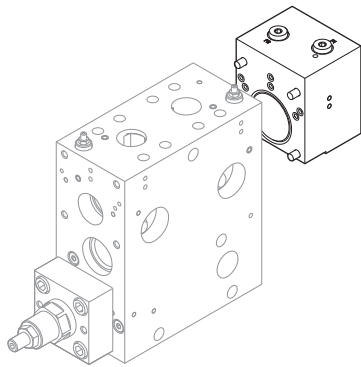
### HCF flange overall dimensions



**HPV 310**

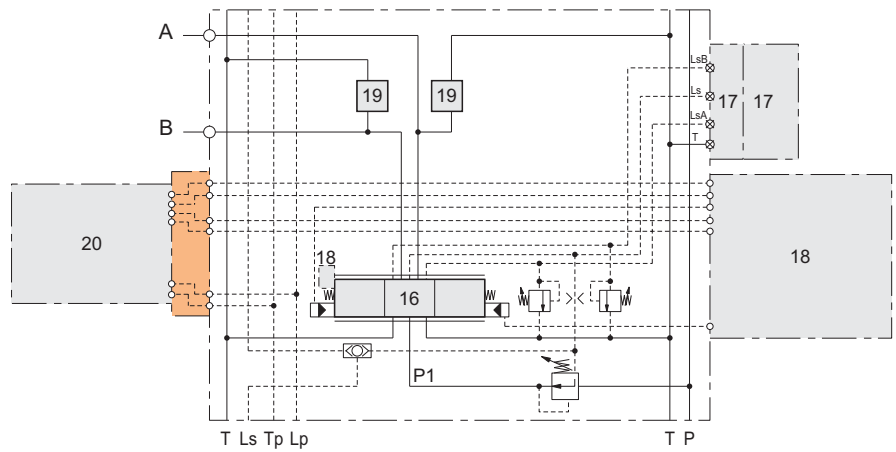
## Adapter for control

Code	Description
INTF003105015	Adapter for control



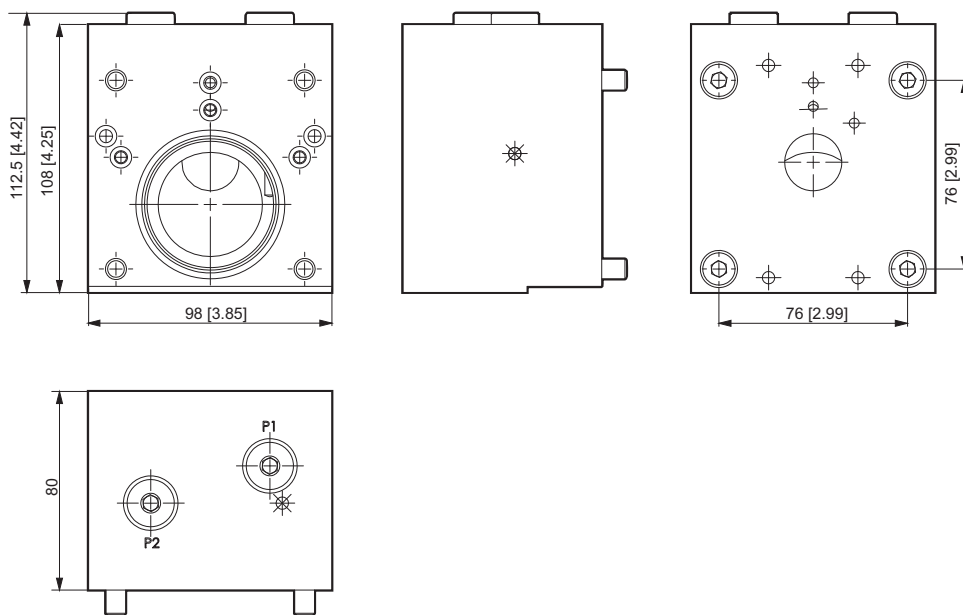
**INTF**

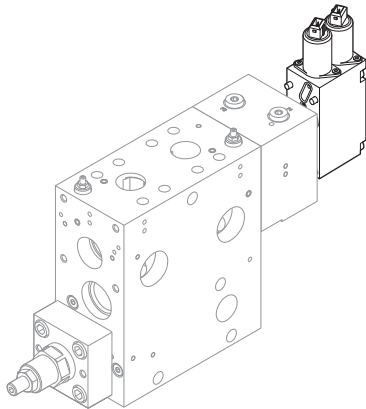
### Example with INTF adapter



**HPV 310**

### INTF adapter overall dimensions





**MHPF**

**MHPF electrohydraulic PROPORTIONAL module**

MHPF proportional electrohydraulic module shifts the position of the spool precisely in proportion to an electric current generated by the remote control.

The spool is shifted by means of the hydraulic pressure generated by the pressure-reduction proportional solenoid valves. The MHPF module is not equipped with an inductive position transducer (LVDT) and the entire electronic circuit to detect and signal faults.

This means that in the joystick remote control phase, any control (for example a manual control) that overrides the force exerted by the pressure reduction valves on the spool, may vary the position of that spool without any error signal and without inhibition, leaving the safety of the entire hydraulic system to the visual operator control, only.

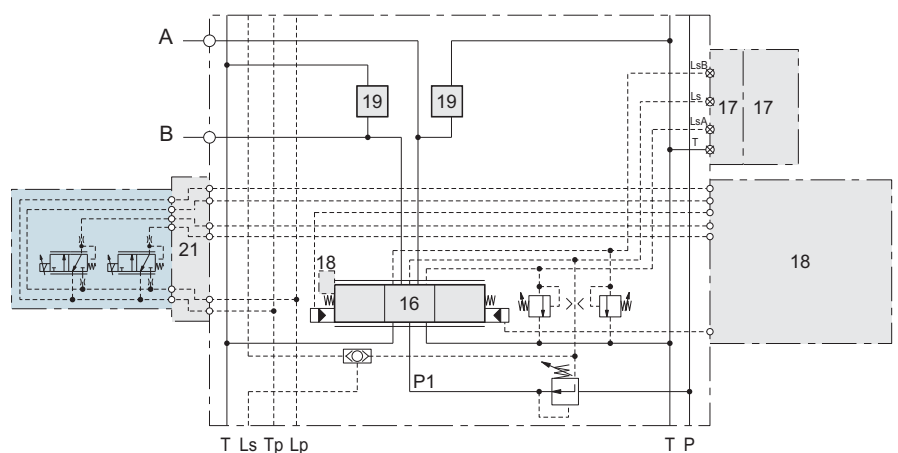
MHPF module has the following main features:

- It can be operated with on-off signals also
- Short response time
- Electro-proportional pressure reduction valves
- PWM electric control of low-frequency solenoid valves
- Any adjustment to limit the flow or to create work ramps will be made directly on the remote control
- Very low hysteresis and excellent sensitivity

**Current controls**

Code	Description
MHPF003107050	12 VDC
MHPF003107051	24 VDC

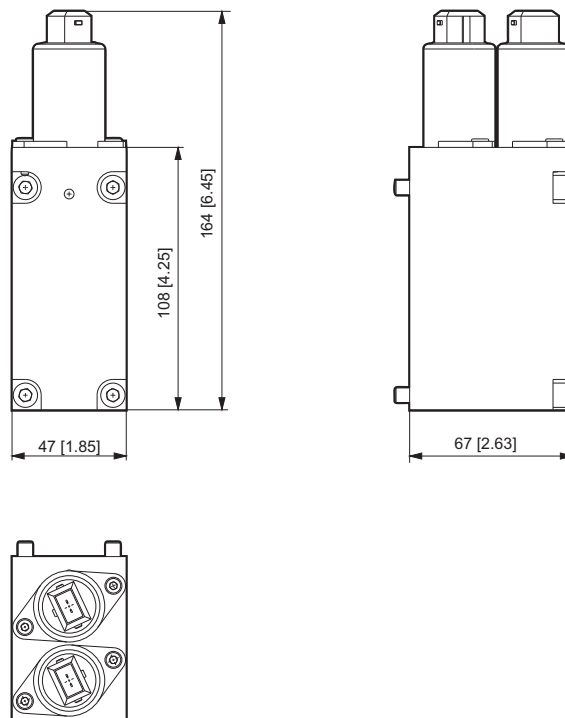
**Example with MHPF control**



**HPV 310**

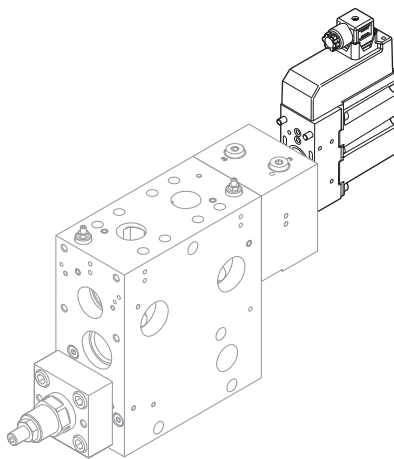
Rated voltage		12 Vdc	24 Vdc
Power supply voltage range		11 to 15 V	22 to 30 V
Max. ripple		8 %	
Max. current		1500 mA ± 10	750 mA ± 10
Power consumption		18 W at 22 °C [71.6 °F] coil temperature	
Start spool travel		630 mA	280 mA
End spool travel		1170 mA	610 mA
R <sub>20</sub>		4.72 Ω ± 5 %	20.8 Ω ± 5 %
Heat insulation		Class H, 180 °C [356 °F]	
Oil temperature	Recommended	-30 ÷ +60 °C [-22 ÷ +140 °F]	
	Min	-30 °C [-22 °F]	
	Max	+90 °C [+194 °F]	
Dither adjustment		75 Hz	
Inductance		8.5 mH	70 mH
Current variation		100 mA/s	50 mA/s
Duty cycle % ED on-off operating		14 V = 100	28 V = 100
		15 V = 50	30 V = 50
Plug connector		2-pole AMP Junior Power Timer	
Reaction time from neutral position to end spool stroke (constant voltage)		120 ms	
Reaction time from end spool stroke to neutral position (constant voltage)		90 ms	
Grade of enclosure to IEC 529, with female connector		IP 65	

## MHPF control overall dimensions



HPV 310





**MHPOD**

**MHPOD electrohydraulic PROPORTIONAL module**

MHPOD is an open loop electrohydraulic activation unit, whose design is based on digital technology.

MHPOD has been specially developed to meet the harsh operating requirements of today's mobile machine market. MHPOD electrical open loop proportional actuation operates the main spool's shift according to an electrical signal coming from a remote control unit, and is recommended where a simple proportional control is required, and where hysteresis and reaction time are not critical.

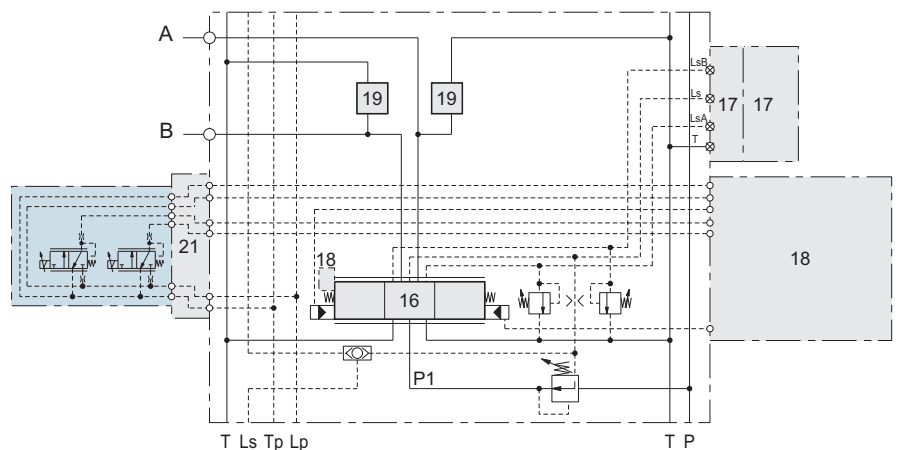
MHPOD does not have the inductive position transceiver (LVDT) and any electronic circuit for faults monitoring. This means that any forces that override the pilot pressure spool forces may change the spool position with no error signal, and the safety of the whole system is left to the operator's visual control, only.

MHPOD is defined by:

- Capacity to handle three different kinds of input signal control (see chart below).
- The required signal control is to be stated in the order phase
- Integrated PWM (Pulse Width Modulator)
- Good flow regulation
- Simple built-up.

Voltage	Input signal control		
	0.5 x U <sub>DC</sub> (A) joystick	0 ÷ 10 V <sub>DC</sub> (B) PLC	0 ÷ 20 mA (C) PLC
12 Vdc	MHPOD03108077	MHPOD03108082	MHPOD03108086
24 Vdc	MHPOD03108075	MHPOD03108084	MHPOD03108088

**Example with MHPOD control**



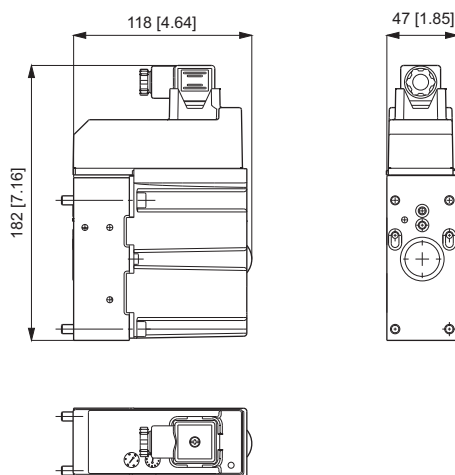
**HPV 310**

Rated voltage		12 Vdc	24 Vdc
Power supply voltage range		11 ÷ 15 V	20 ÷ 28 V
Max. ripple		5 %	
Current supply		520 mA	260 mA
Current consumption (neutral position, constant voltage)		36 mA	46 mA
Power consumption		6 W	
Heat insulation		Class H 180 °C [256 °F]	
Reaction time (constant voltage)	From neutral position to max. spool travel	110 ÷ 140 ms	
	From max. spool travel to neutral position	70 ÷ 90 ms	
Reaction time (neutral switch)	From neutral position to max. spool travel	130 ÷ 170 ms	
	From max. spool travel to neutral position	70 ÷ 90 ms	
Connector		Standard (IP 65) according to DIN 43650 / ISO 4400	
Enclosure to IEC 529		IP 65	
<b>(A)</b> joystick	Input signal control	Neutral position	0.5 x UDC
		Control range	0.25 x UDC to 0.75 x UDC
	Max. current signal control	0.5 mA	1 mA
	Input impedance in relation to 0.5 x UDC		12 kΩ
<b>(B)</b> PLC	Input signal control	Voltage	0 ÷ 10 VDC
		Neutral position	5 VDC
		Control range	0.25 x 10 VDC to 0.75 x 10 VDC
	Current signal control	0.5 mA	
Input impedance in relation to 0 ÷ 10 VDC		20 kΩ	
<b>(C)</b> PLC	Input signal control	Current	0 ÷ 20 mA
		Neutral position	10 mA
		Control range	0.25 x 20 mA to 0.75 x 20 mA
	Input impedance in relation to 0 ÷ 20 mA		0.5 kΩ

Electrical connections for MHPOD controls, see page: E-4

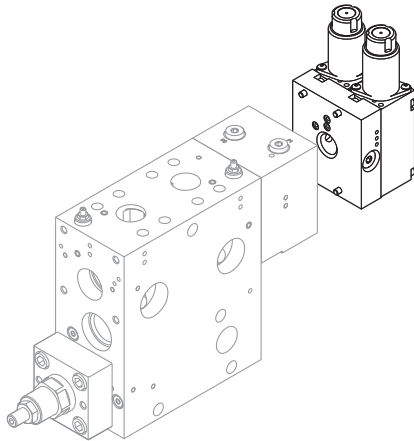
## MHPOD control overall dimensions

HPV 310





**Electro-hydraulic ON/OFF or PROPORTIONAL operated**  
 The MHOXAB/ MHPXAB double acting can activate A and B ports.



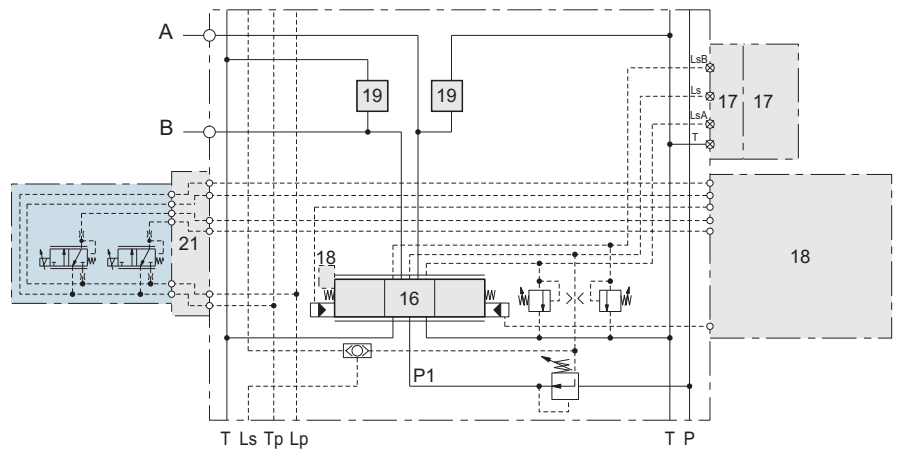
**MHOXAB**

Code	Voltage	Description
MHOXAB3107381	12 VDC	Electro-hydraulic ON/OFF module double acting
MHOXAB3107380	24 VDC	
MHPXAB3107181	12 VDC	Electro-hydraulic PROPORTIONAL module double acting
MHPXAB3107180	24 VDC	

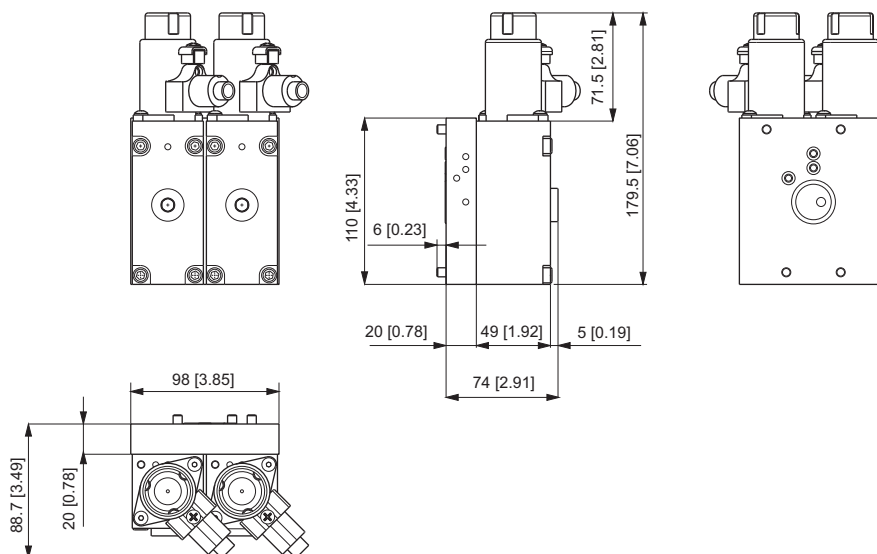
**ATEX electro-hydraulic modules for HPV features and safety instructions see page A-3.**

**For the wiring diagram of module, please refer to Instruction manual.**

**Example with ATEX control**



**MHOXAB/MHPXAB control overall dimensions**



**HPV 310**

**Technical features electro-hydraulic ON/OFF - MHOXAB**

Nominal voltage	12 Vdc	24 Vdc
Coil resistance, R20	9 Ω ± 6 %	35.8 Ω ± 6 %
Min. current	700 mA	350 mA
Rated current	1330 mA	670 mA
Max. current	1850 mA	930 mA
Limit power	14.3 W	14.4 W
Ambient temperature	-20 ÷ +50 °C [-4 ÷ +122 °F]	
Connection cable	FL4G11Y - 3 x 1.5 mm <sup>2</sup> [3 x 15 AWG ] L = 5-5.1 mt [197-201 inch]	
Integrated diode to limit switch-off overvoltage	See coil manufacturer manual	
Short-circuit protection	With fuse - See coil manufacturer manual	
Duty cycle	100%	
Input pressure	Max. 50 bar [725 psi]	
Switching pressure	>23 bar [334 psi]	
Fluid temperature	-20 ÷ +80 °C [-4 ÷ +176 °F]	
Ground connection	Up to 4 mm <sup>2</sup> - 11 AWG	
Protection class (DIN VDE 0580)	I	
Fluids	Hydraulic oil to DIN 51524.ATF-oil	
Protection ratings (DIN VDE 0470 / EN 60529)	IP67 / IP69K	
Shock-resistance to EN 50014	4 J	

**Technical features electro-hydraulic PROPORTIONAL - MHPXAB**

Nominal voltage	12 Vdc	24 Vdc
Voltage range	11 ÷ 15 Vdc	22 ÷ 28 Vdc
Coil resistance, R20	4.3 Ω	15.3 Ω
Rated current, I <sub>N</sub>	1360 mA	686 mA
Max. current regulation range	0 ÷ 1500 mA	0 ÷ 750 mA
Max. power	14.8 W	12.8 W
Start spool travel	490 mA	240 mA
Start spool flow	510 mA	260 mA
End spool travel	875 mA	500 mA
Pilot pressure	28 bar [406 psi]	
Power supply	PWM 100 Hz	
Max. pressure (static)	50 bar [725 psi]	
Ambient temperature	-20 ÷ +50 °C [-4 ÷ +122 °F]	
Fluid temperature	-20 ÷ +80 °C [-4 ÷ +176 °F]	
Connection cable	FL4G11Y - 3 x 1.5 mm <sup>2</sup> [3 x 15 AWG ] L = 5-5.1 mt [197-201 inch]	
Integrated diode to limit switch-off overvoltage	See coil manufacturer manual	
Short-circuit protection	With fuse - See coil manufacturer manual	
Ground connection	Up to 4 mm <sup>2</sup> - 11 AWG	
Fluids	Hydraulic oil to DIN 51524.ATF-oil	
Grade of enclosure (DIN VDE 0470 / EN 60529)	IP67 / IP69K	
Shock-resistance to EN 50014	4 J	

**Hydraulic features**

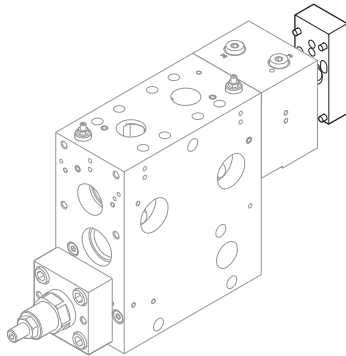
Max pilot pressure oil supply	30 bar [435 psi]
Start spool flow	4.5 bar [65 psi]
End spool flow	15 bar [218 psi]

**HEM module hydraulic data**

Max pressure (static - input)	350 bar [5076 psi]
Max flow	130 l/min [34.3 US gpm]

### Hydraulic activation

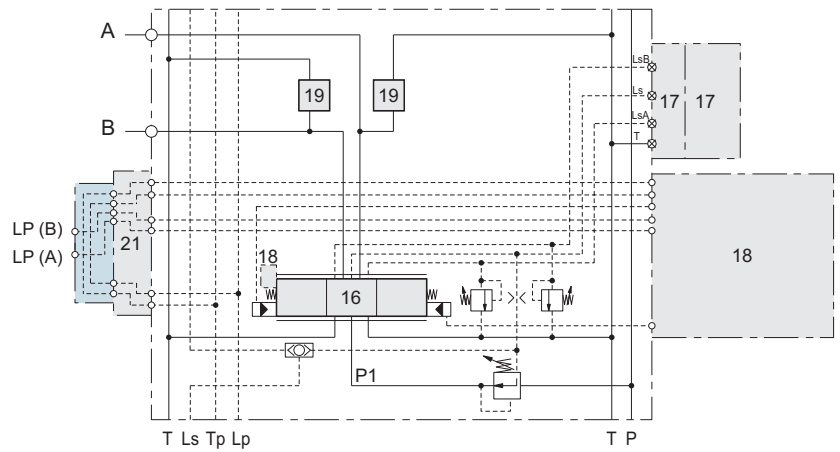
- Start pilot pressure: 4.5 bar [65 psi]
- End stroke pressure: 15 bar [218 psi]
- Max. pilot pressure: 30 bar [435 psi]



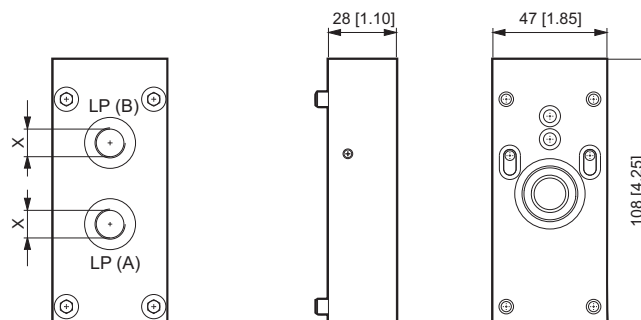
Thread	Code (Aluminum)	Code (Cast iron)
(X) 1/4 BSPP	<b>MHPH003104601</b>	<b>MHPH003104621</b>
(X) 7/16" - 20 UNF	<b>MHPH003104602</b>	<b>MHPH003104622</b>

## MHPH

### Example with MDPH control

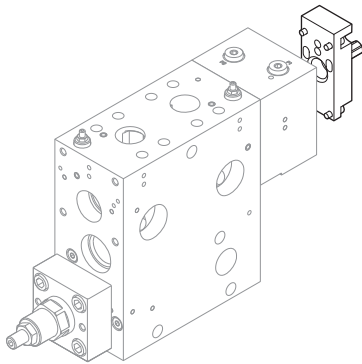


### MDPH control overall dimensions



**HPV 310**

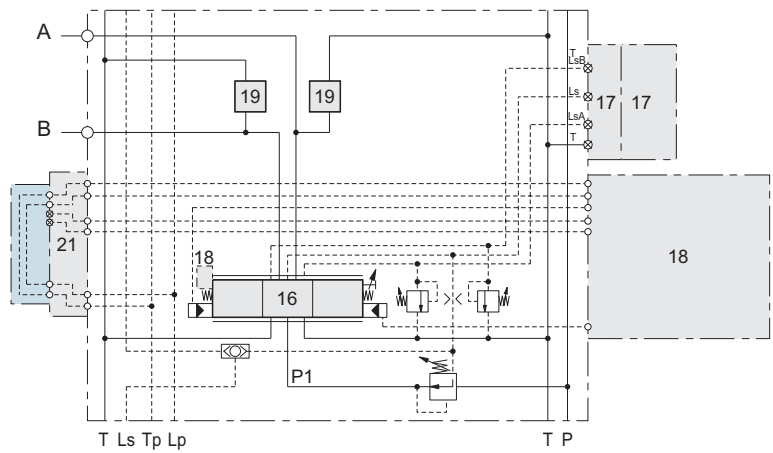
## Rear cover with stroke adjustment



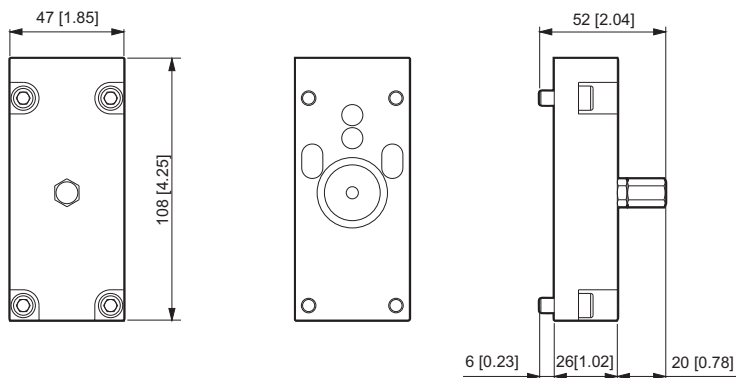
Code (Aluminum)	Code (Cast iron)
HCF0007704587	HCF0007704584

## HCF

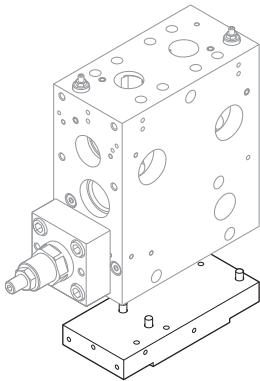
### Example with HCF control



### HCF control overall dimensions



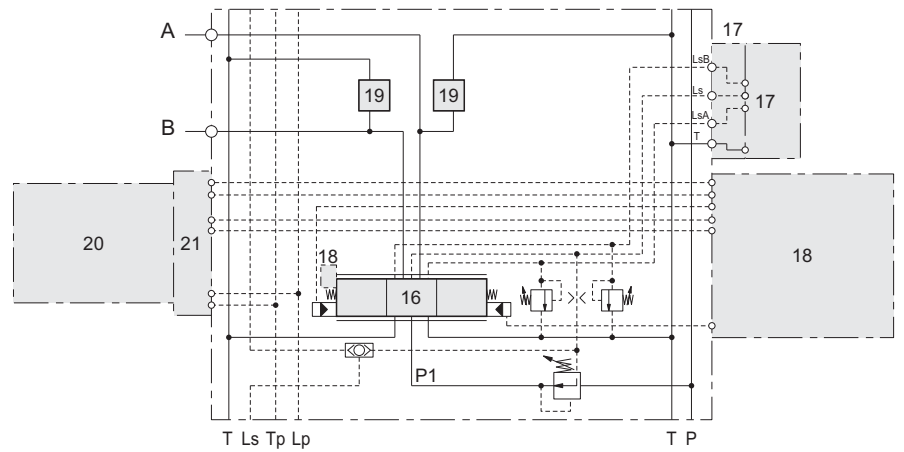
## Adapter for MHCP module



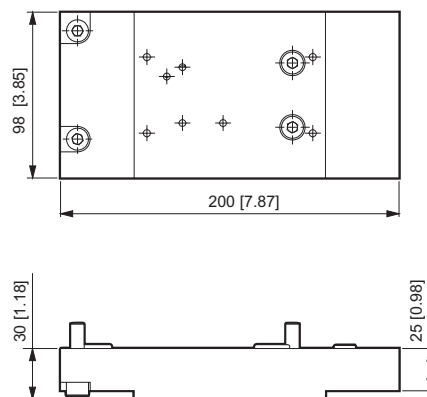
**INTF**

Code	Description
INTF003104005	Adapter for adapter MHCP

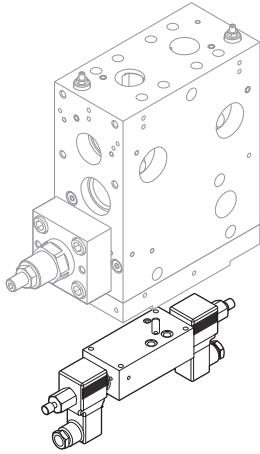
**Example with MDPH control**



### INTF adapter overall dimensions



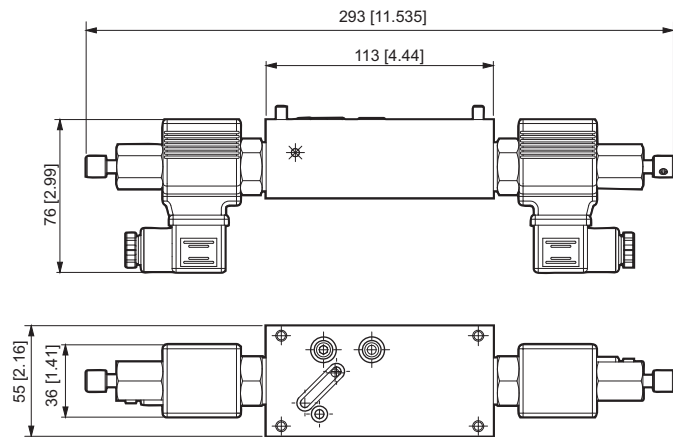
**HPV 310**



## MHFO

With the MHFO modules it is not previewed the mounting of flow restrictors EU onto the spools (HEAS).

### MHCP module overall dimensions



### MHFO electrical Ls A/B unloading module

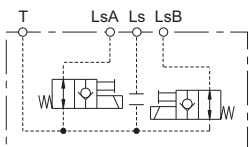
LSA / LSB pilot signal unloading solenoid valve. If the on/off solenoids are not energized, there is no flow on A/B work ports, while the pressure in the open centre circuits will be equal to the P → T unloading pressure value on the inlet section, plus the counterpressure acting on T line. In closed centre circuits (under the same operating conditions) the pressure will be equal to the stand-by pump pressure.

Technical data valve CRP04HP, see catalogue "Cartridge valves / In-line valves" code DOC00044.

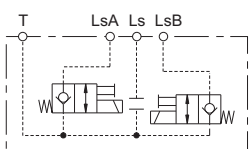
Code 12VDC	Code 24VDC	Description
MHFO007706205	MHFO007706210	Normally open Active on LSA
MHFO007706215	MHFO007706220	Normally open Active on LSB
MHFO007706225	MHFO007706230	Normally open Active on LSA + LSB
MHFO007706300	MHFO007706305	Normally open Active on LS
MHFO007706235	MHFO007706240	Normally closed Active on LSA
MHFO007706245	MHFO007706250	Normally closed Active on LSB
MHFO007706255	MHFO007706260	Normally closed Active on LSA + LSB
MHFO007706310	MHFO007706315	Normally closed Active on LS

HPV 310

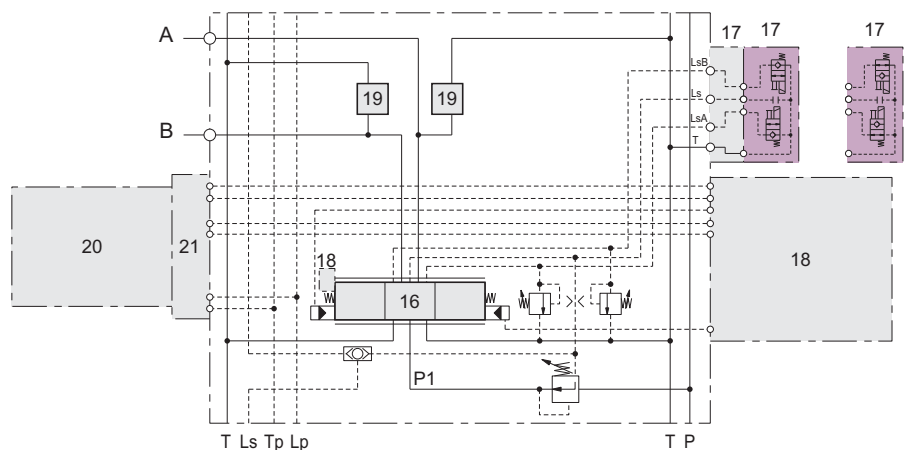
### Normally open



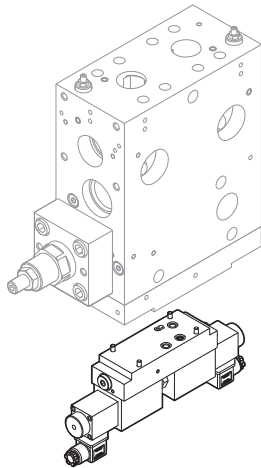
### Normally closed



### Example with MHFO module



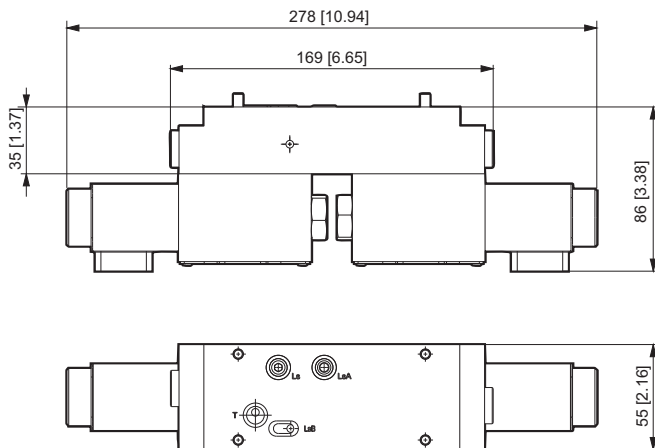




## MHCP

With the MHCP modules it is not previewed the mounting of flow restrictors EU onto the spools (HEAS).

### MHCP module overall dimensions



### Electrohydraulic proportional module for remote A / B ports working pressure control

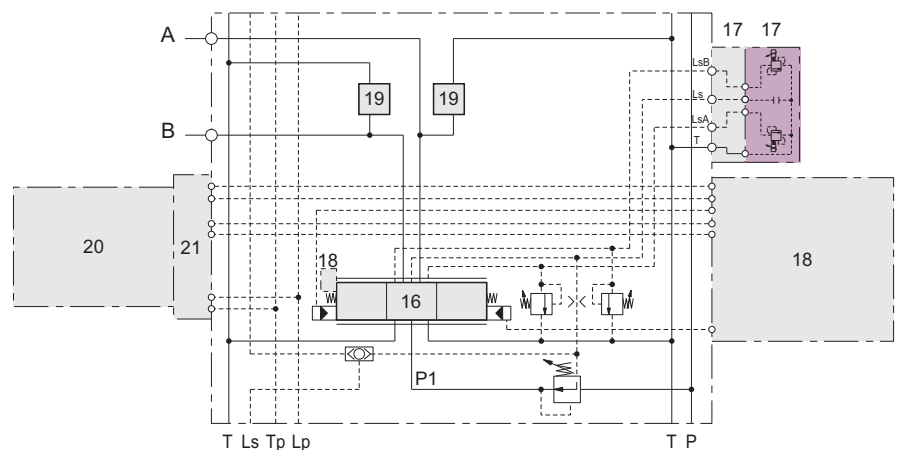
MHCP is a electric proportional module that allows the working pressure to be remotely operated by means of a current signal MHPF is designed to ensure system pressure to be infinitely adjust in accordance upon the electrical command valve. When the working pressure exceed the setting pressure value, the A – B ports flow is being cut-off. When MHCP is not energized, both pressure and flow will be maintain close to zero. MHCP is always to be used with pressure compensated working sections.

Technical data pressure relief valve XP3, see catalogue "Valves and electronics" code DOC00078.

Symbol	Type	Code
	24 VDC Active on LsA	MHCP007706210
	24 VDC Active on LsB	MHCP007706220
	24 VDC Active on LsA + LsB	MHCP007706230
	24 VDC Active on Ls	MHCP007706305

HPV 310

### Example with MHCP module

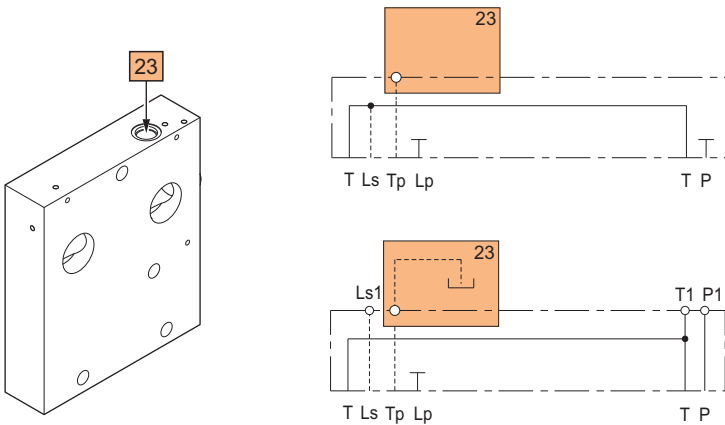




## HSC end sections

### Available versions:

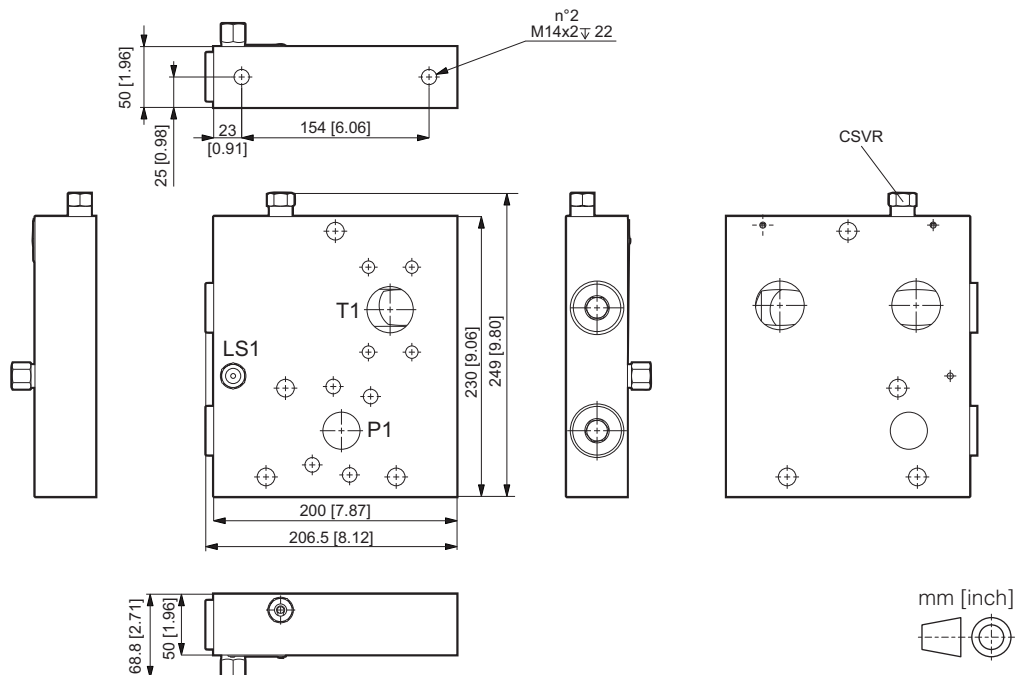
- With no ports
- With Ls1, P1, T1 ports



Code	Ports
HSC0003105005	Without ports

Code	Ports
HSC0003105010	P1 port - SAE 1" 1/4 - 6000 psi T1 port - SAE 1" 1/2 - 3000 psi Ls1 port - BSPP 1/4" - depth 13

## HSC end sections overall dimensions

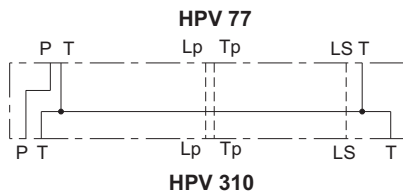


**23** Plug or cartridge page D-44



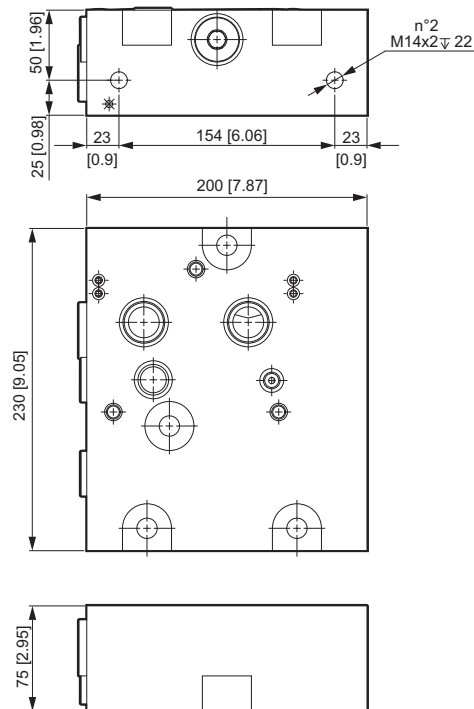
### Interface between HPV310 and HPV77

HSIF interface allows assembling an HPV310 valve with an HPV77.



Code	Description
HSIF003105037	Interface HPV310 - HPV77

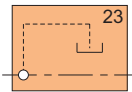
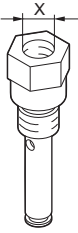
### HSIF interface overall dimensions

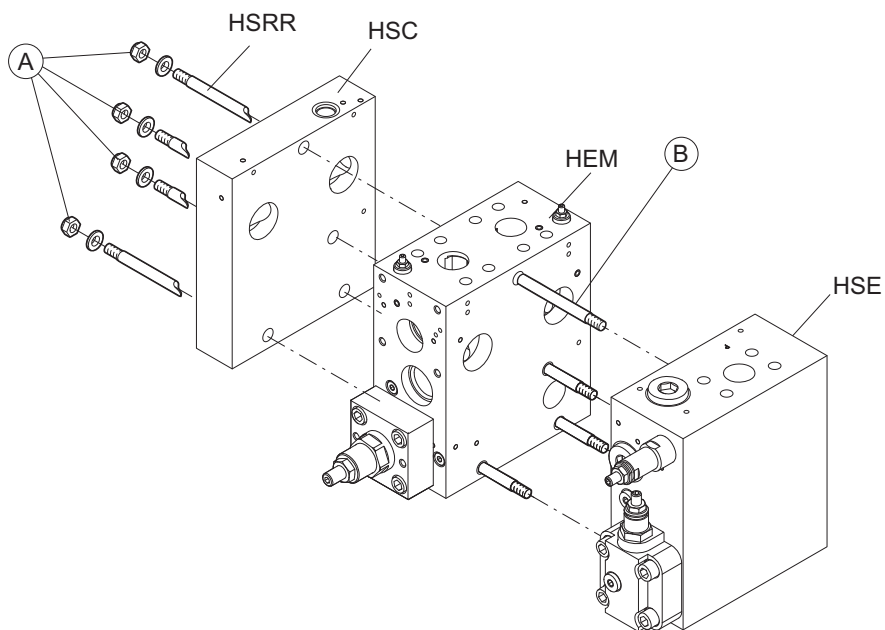


mm [inch]

**HPV 310**

Accessories for HSC end section and HSIF interface

Code		Description	Symbol / Field	Draw
BSPB	UN - UNF			
<p><b>CSRV007701203</b></p> <p>1/4" BSPB</p>	<p><b>CSRV007701206</b></p> <p>7/16"-20UNF-2B</p>	<p><b>CSRV</b> External drain cartridge for HSC module (to be connected to drain line)</p>		

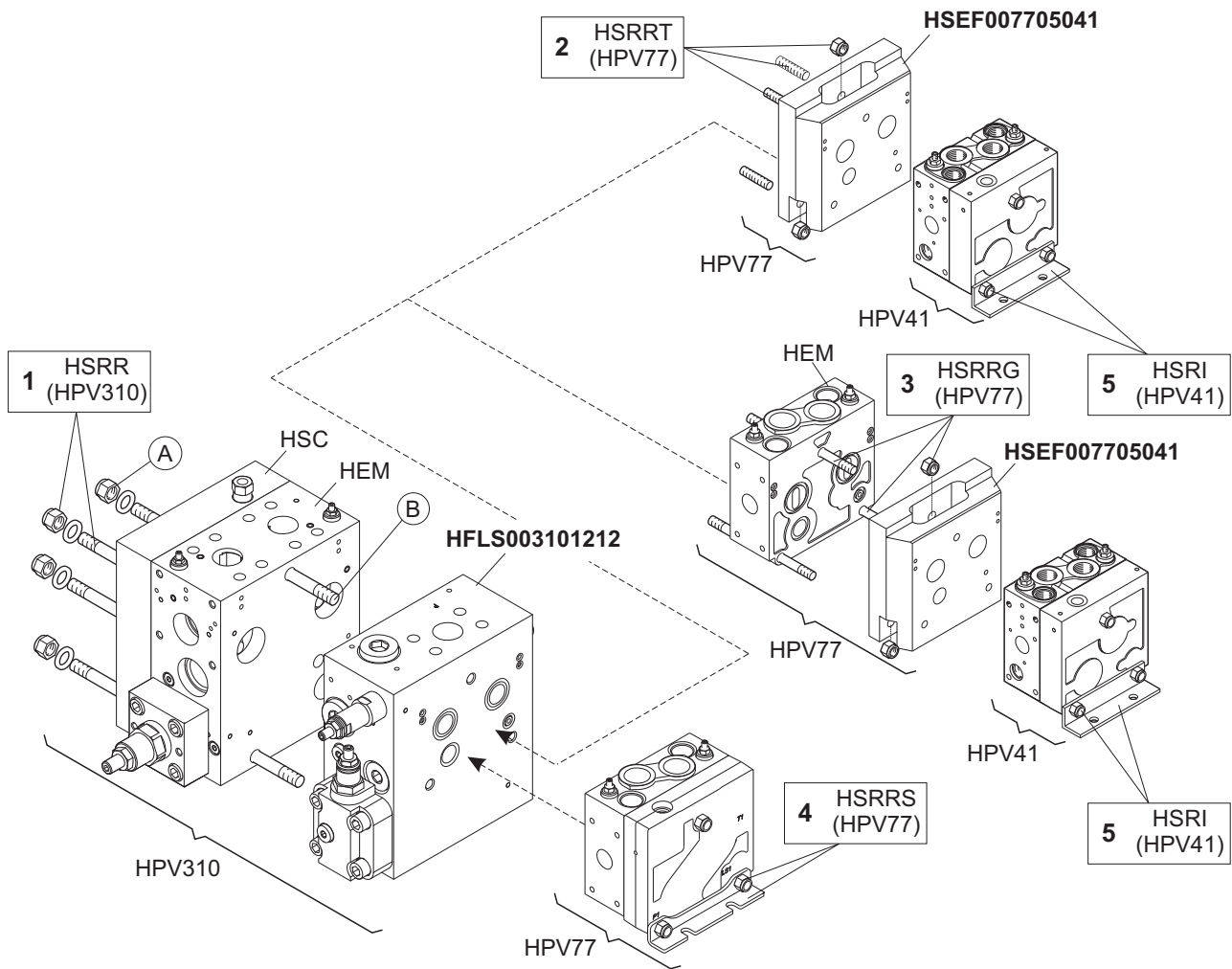


No. of working sections (HEM)	Code
1	HSRR003105551
2	HSRR003105552
3	HSRR003105553
4	HSRR003105554
5	HSRR003105555
6	HSRR003105556

Tightening torques nuts "A" :  $140 \pm 5$  Nm [ $103 \pm 3.7$  lbf·ft]  
 Tightening torques stud bolts "B" :  $140 \pm 5$  Nm [ $103 \pm 3.7$  lbf·ft]

**HPV 310**





**1 - Stay bolts kit for HPV310**

No. of working sections (HEM 310)	Code
1	HSRR003105551
2	HSRR003105552
3	HSRR003105553
4	HSRR003105554
5	HSRR003105555
6	HSRR003105556

Tightening torques nuts "A" : 140 ± 5 Nm [103 ± 3.7 lbf-ft]  
 Tightening torques stud bolts "B" : 140 ± 5 Nm [103 ± 3.7 lbf-ft]

**4 - Stay bolts kit for HPV77**

No. of working sections (HEM 77)	Code
1	HSRRS07705771
2	HSRRS07705772
3	HSRRS07705773
4	HSRRS07705774
5	HSRRS07705775
6	HSRRS07705776

Tightening torques nuts "A" : 50 ± 2 Nm [36.9 ± 1.5 lbf-ft]  
 Tightening torques stud bolts "B" : 50 ± 2 Nm [36.9 ± 1.5 lbf-ft]

**2 - Stay bolts kit for interface HSEF + PV41**

No. of working sections (HEM)	Code
0	HSRRT07705771

Tightening torques nuts "A" : 50 ± 2 Nm [36.9 ± 1.5 lbf-ft]  
 Tightening torques stud bolts "B" : 50 ± 2 Nm [36.9 ± 1.5 lbf-ft]

**3 - Stay bolts kit for HPV77 + interface HSEF + HPV41**

No. of working sections (HEM 77)	Code
1	HSRRG07705589
2	HSRRG07705590

Tightening torques nuts "A" : 50 ± 2 Nm [36.9 ± 1.5 lbf-ft]  
 Tightening torques stud bolts "B" : 50 ± 2 Nm [36.9 ± 1.5 lbf-ft]

**5 - Stay bolts kit for HPV41**

No. of working sections (HEM 41)	Code
1	HSRI004105561
2	HSRI004105562
3	HSRI004105563
4	HSRI004105564
5	HSRI004105565
6	HSRI004105566
7	HSRI004105567
8	HSRI004105568
9	HSRI004105569
10	HSRI004105570

Tightening torques nuts "A" : 22.5 ± 2 Nm [16.6 ± 1.5 lbf-ft]  
 Tightening torques stud bolts "B" : 25 ± 2 Nm [18.4 ± 1.5 lbf-ft]

HPV 310

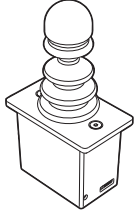
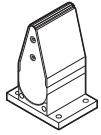
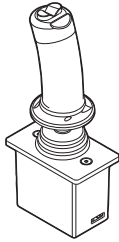
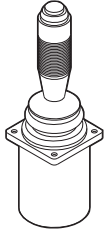
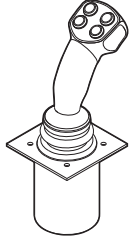
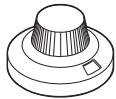
# Spare parts seals kits

For sections and controls			Code						
			RKRC0723000	RKRC1751000	RKRC1752000	RKRC3759000	RKRC3757001	RKRC3757000 RKRC2757000	RKRC3758000
intet, working, end sections	Inlet section	HSE						•	
	Intermediate inlet section	HFLS					•		
	Working section	HEM						•	
	End section	HSC							
	HPV77 interface	HSIF						•	
control field 18	Manual control	HRDM				•			
	Rear cover	HCF				•			
control field 20 - 21	Interface	INTF							•
	Electrical	MHPF	•						
	Rear cover	HCF			•				
	Hydraulik	MHPH		•					
	Electrical	MHPOD		•					

See composition form page D-9.



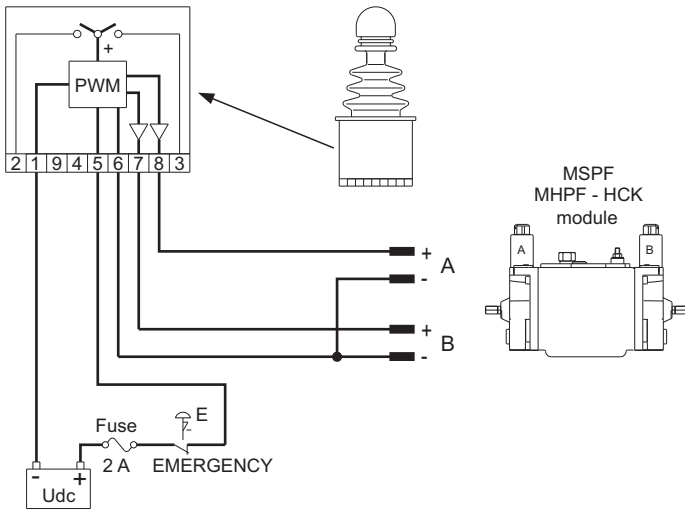
# Electrohydraulic module combination with Joystick

No. axis controlled	Current input signal (A)	Voltage input signal (V) (Input signal control 0.5 x UDC)	Joystick type
	Modules MHPF - MSPF HCK	Modules MHPED - MHPOD MHPEPD	
1	JMPEI	JMPEV	
	JMPIF	JMPVF	
	—	JMPVU	
2 / 3	JMPID	JMPVD	
2 / 3 / 4	JMPIAZ	JMPVAZ	
Potentiometer	MPVRD	MPIRD	

Electrical connection see Dana Joystick catalogue.

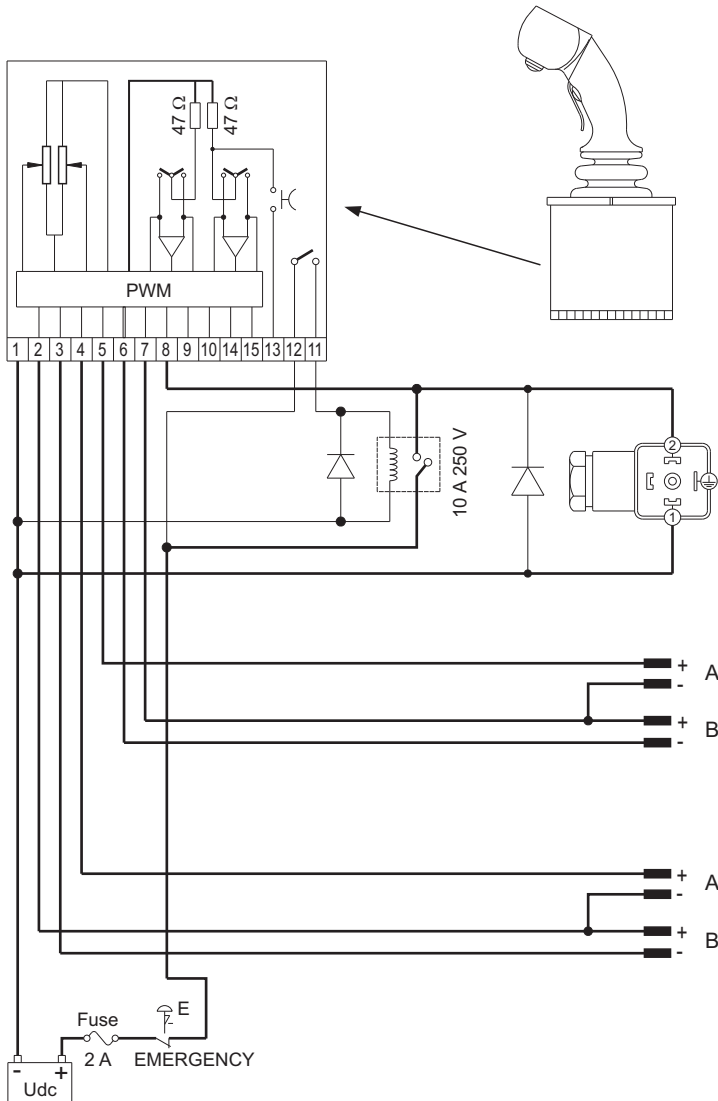
# Electrical connections for MSPF-MHPF-HCK working sections

## MSPF-MHPF-HCK modules electrical connections examples

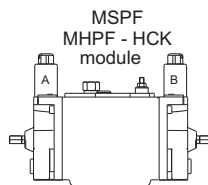
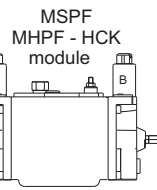
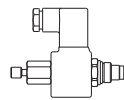


### Cable connections

- 1 = U-
- 2 = A port directional switch (max. load 30 mA)
- 3 = B port directional switch (max. load 30 mA)
- 4 = ( free )
- 5 = U+
- 6 = A / B common
- 7 = A output control
- 8 = B output control
- 9 = ( free )
- = signal leads (0.35 mm<sup>2</sup> - 21 AWG)
- = supply leads (0.75 mm<sup>2</sup> - 18 AWG)



### CRP04HP

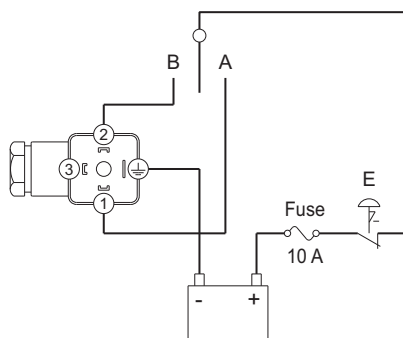
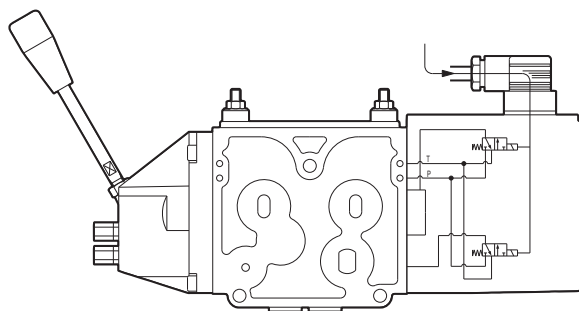


- = signal leads  
(min. cross-section 0.50 mm<sup>2</sup> - 20 AWG)
- = supply leads  
(min. cross-section 0.75 mm<sup>2</sup> - 18 AWG)

Joystick

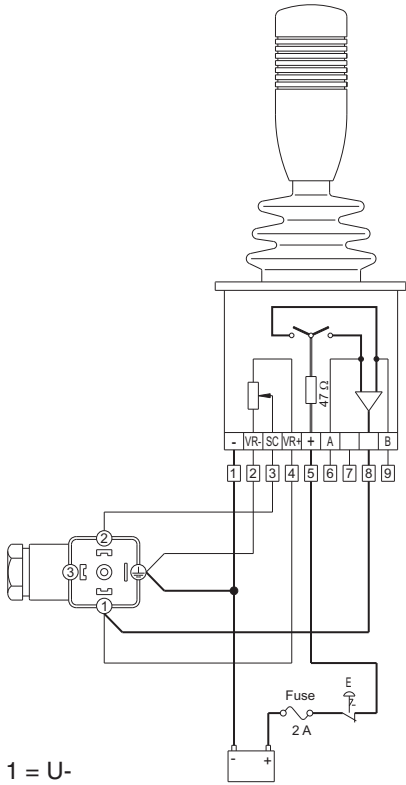
# Electrical connections for MHOV controls

## Wiring diagram



# Electrical connections for MHPD controls

## JOYSTICK electrical connections example. Input signal control 0.5 x UDC

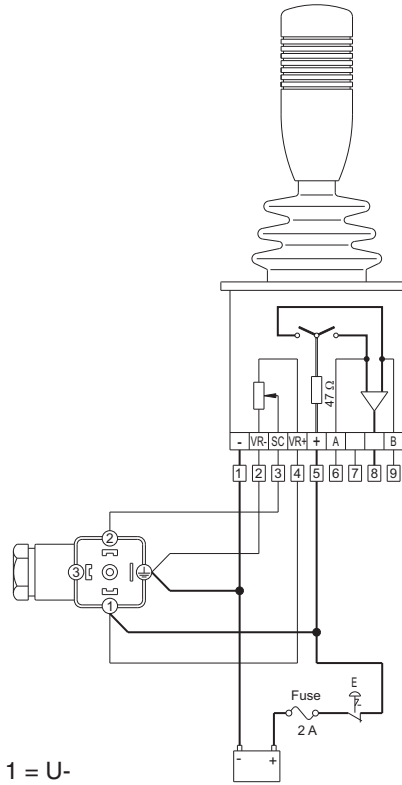


With the use of remote control neutral switch

- 1 = U-
- 2 = Negative signal
- 3 = Signal control
- 4 = Positive signal
- 5 = U+
- 6 = "A" port, directional output (max. load 30 mA)
- 7 = (free)
- 8 = Output +
- 9 = "B" port, directional output (max. load 30 mA)
- = signals leads  
(min. cross-section 0.35 mm<sup>2</sup> - 21 AWG)
- = supply leads  
(min. cross-section 0.75 mm<sup>2</sup> - 18 AWG)

In order to verify if the wiring is correct, please proceed as follows:

1. By touching with the multimeter the pin no. 1 and the pin "ground", the tension voltage supply (UDC) must be read.
2. By touching with the multimeter the pin no. 2 and the pin "ground", half of the tension voltage supply (50% UDC) must be read, with joystick in neutral position and if the hookup keeps the module



Without the use of remote control neutral switch

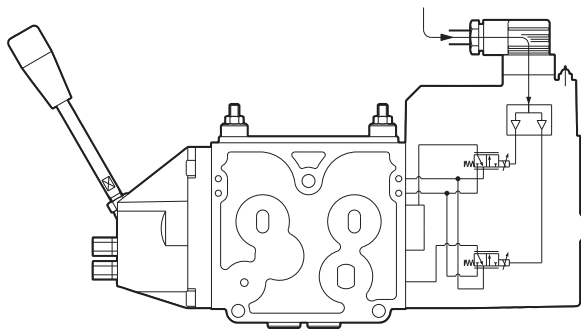
- 1 = U-
- 2 = Negative signal
- 3 = Signal control
- 4 = Positive signal
- 5 = U+
- 6 = "A" port, directional output (max. load 30 mA)
- 7 = (free)
- 8 = (free)
- 9 = "B" port, directional output (max. load 30 mA)
- = signals leads  
(min. cross-section 0.35 mm<sup>2</sup> - 21 AWG)
- = supply leads  
(min. cross-section 0.75 mm<sup>2</sup> - 18 AWG)

switched on.

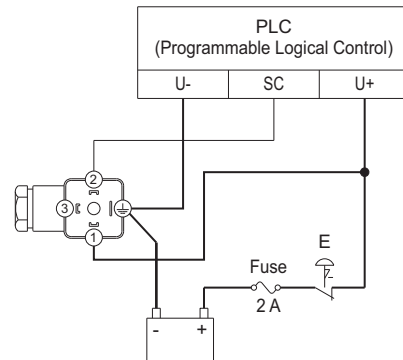
3. With multimeter in the same position as per point 2, by moving the joystick the signal control must be 25% of UDC on one side and 75% UDC on the other side

The methods of control and the parameters as per points 1), 2), 3) are the same for all kinds of our joysticks.

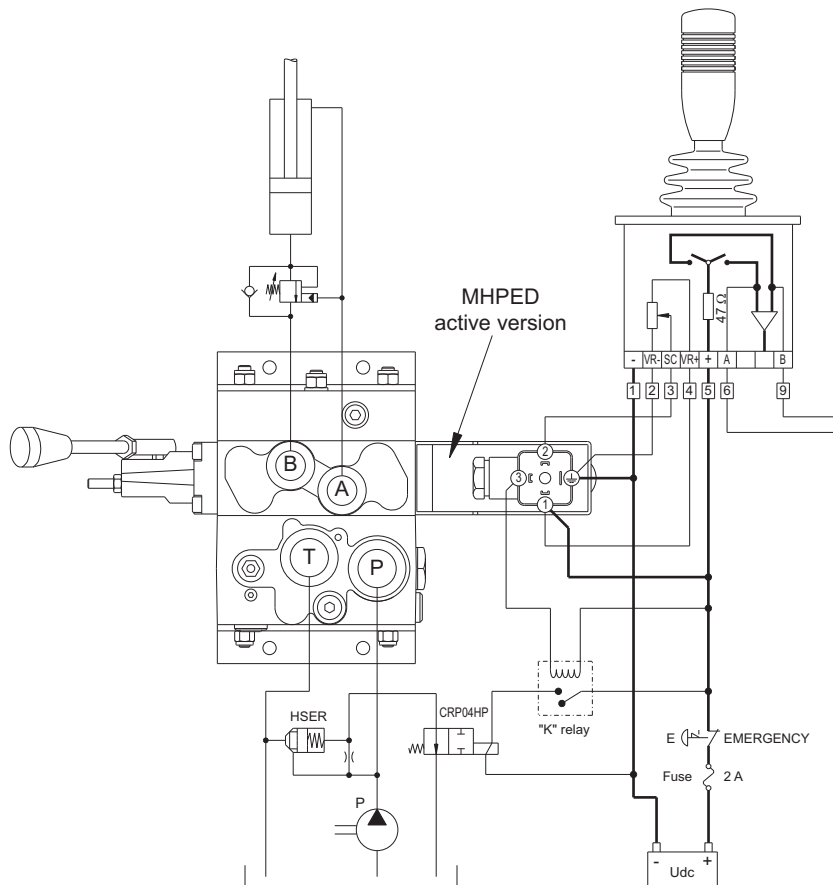
Joystick



## PLC electrical connections example. Input signal control 0 ÷ 20 mA and 0 ÷ 10 V



# Electrical connections for MHPED controls



## Example HIGHEST SAFETY NEEDS Active Version (Fault Monitoring System)

The system provides the highest safety level against spool positioning failures or electrohydraulic / mechanical malfunctioning (i.g. should spool seizure occur).

When the fault monitoring system is connected and an error state is detected, the system ensures a fast and operator independent reaction that will put the complete hydraulic circuit into venting conditions, thus preventing uncontrollable machine movements.

As aforementioned, when an error state is detected, an alarm signal is sent out through the pin no. 3 of the connector and the MED alarm logic module will cut off current to the CRP04HP pilot solenoid valve which in turn will make the HSER pump unloading valve in an unbalanced condition, then leading the oil flow directly from pump to tank.

Thus, all functions are with no oil flow and without operating pressure, and the pressure drop on the HPV's inlet section is at the lowest possible level (see HSER typical curve). When an active error state occurs, the fault monitor logic will be triggered.

In order to prevent the electronics from going into an undefined state, any time the system is being switched or on reset, a general check of the power supply and the internal clock frequency is made.

## Active fault monitoring reactions

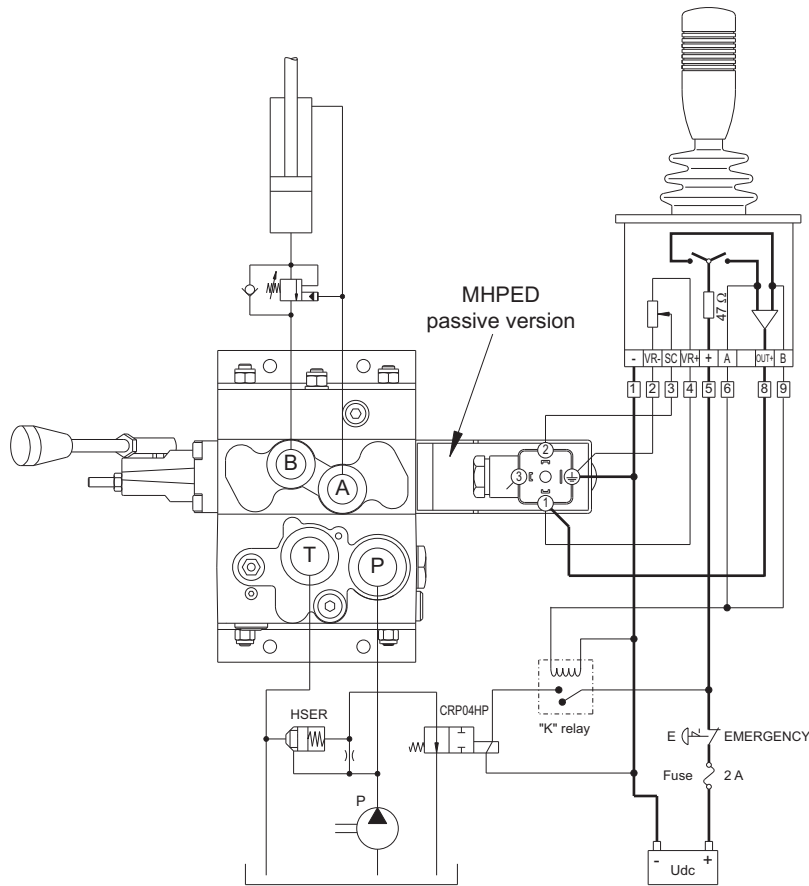
When an error state is detected, the 2 proportional solenoid valves will be automatically switched off, a red lamp will light up, and main spool will go to the neutral position (if it is not seized up owing to dirt in the system). The system will only react to faults of more than 500 ms duration (in other words, there is a delay of half a second before anything happens). An alarm signal is sent out through the connector (pin No. 3) and minus is opened.

This state is memorized and will continue as long as the system is being reset by switching off the supply voltage (new start-up). If the signal coming from the transducer position (main spool travel) is beyond 15% of the input signal voltage, the input signal control is continuously monitored and a range between 15% and 85% of supply voltage is allowed. Outside this range, the solenoid valves will be deactivated (spool goes to neutral position) and a warning signal is sent out.

If the module's pilot pressure curve is not correct according to the input signal voltage, If the supply voltage is exceeded by 50% (18 V for 12 VDC and 36 V for 24 VDC) or falls below 8 V, MHPED with fault monitoring system does not work when the supply voltage is cut off.

So it means that the system is to be supplied also when the main spool is held in the centre position.

# Electrical connections for MHPED controls



## Example RAISED SAFETY NEEDS Passive Version (No fault monitoring system)

The figure highlights the difference in use between the MHPED module passive version and the active one previously described.

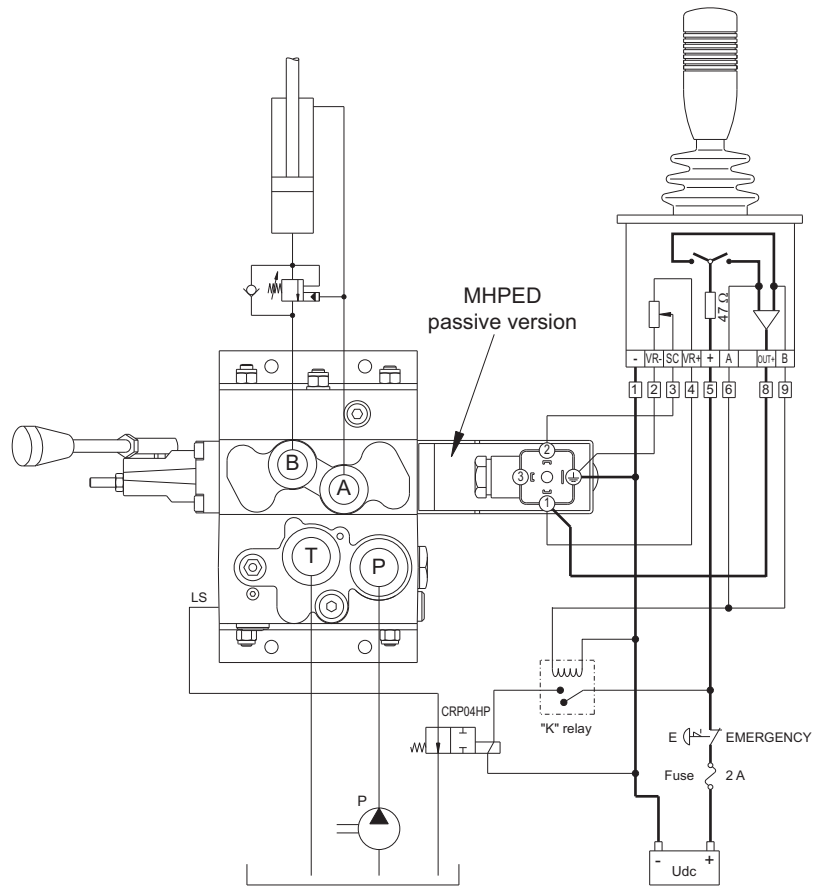
The difference lies in the fact that the safety output (pin No. 3) is unconnected, as the module does not have the fault monitoring system function, furthermore it is kept SWITCHED OFF by means of the remote control neutral position switch.

Whenever the latter is used, the MHPED module is SWITCHED

ON by the OUT+ signal (pin No. 8). In turn, the A / B direction movement signals (pin No. 6-9) of the remote control activates the relay in position "K", which in turn switches on the CRP04HP pilot solenoid valve, which then turns on the HSER hydraulic activated pump unloading valve, setting up the hydraulic system.

We recommend that both the neutral position switch and direction movement output signal always be connected to the electrical system. This circuit still gives a high degree of protection but requires operator intervention to check anything goes wrong.

# Electrical connections for MHPED controls



## Example NORMAL SAFETY NEEDS Passive version

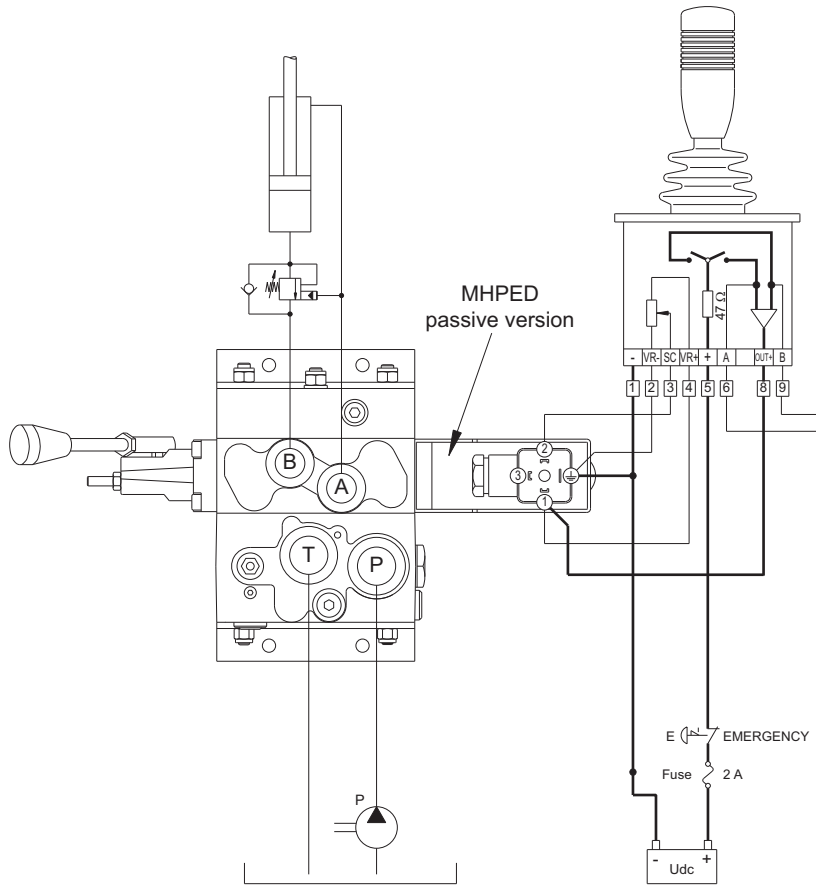
Also with this solution, both the MHPED module and the relay in position "K" are kept SWITCHED OFF by means of the remote control neutral position switch.

With this figure, the CRP04HP electrical activated Ls pressure unloading valve leads the Ls signal direct to the tank.

With this method (CRP04HP deactivated), in systems with fixed displacement pumps, the  $\Delta P$  of the pump unloading oil flow, is almost always between 8 - 15 bar [116 - 218 psi] (system dependent) while in the systems with Ls variable displacement pumps, the remaining pressure depends on the pump stand-by pressure settings.

We urge grate care in this method, because all functions requiring a lower working pressure might be operated.

# Electrical connections for MHPED controls



## Example LOW SAFETY NEEDS

### Passive version

In this solution, the only safety feature is the remote control neutral switch (apart from the general emergency in position

“E”).

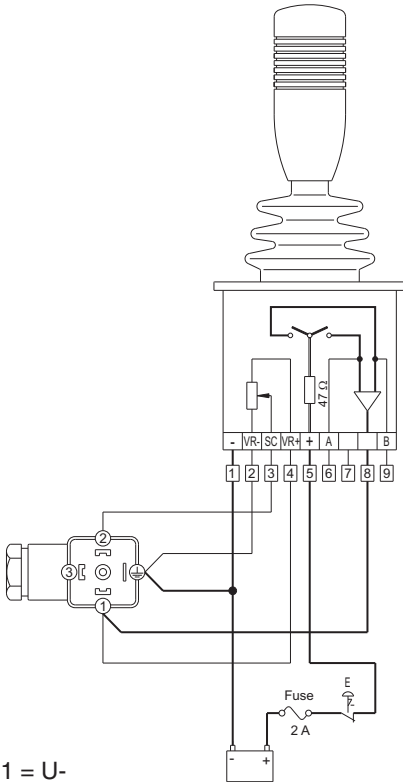
There is no protection against hydraulic and mechanical faults, and the hydraulic characteristics (remaining  $\Delta P$ ) described in para. “NORMAL SAFETY NEEDS” must be taken into consideration.



# Electrical connections for MHPED controls

## JOYSTICK electrical connections example. Input signal control 0.5 x UDC

With the use of remote control neutral switch

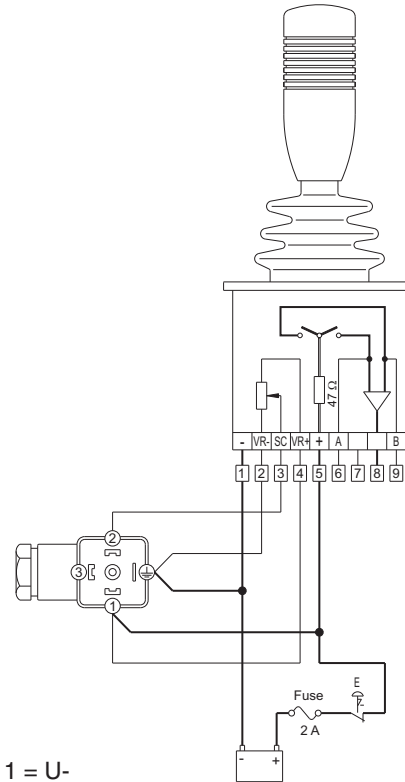


- 1 = U-
- 2 = Negative signal
- 3 = Signal control
- 4 = Positive signal
- 5 = U+
- 6 = "A" port, directional output (max. load 30 mA)
- 7 = (free)
- 8 = Output +
- 9 = "B" port, directional output (max. load 30 mA)
- = signals leads  
(min. cross-section 0.35 mm<sup>2</sup> - 21 AWG)
- = supply leads  
(min. cross-section 0.75 mm<sup>2</sup> - 18 AWG)

In order to verify if the wiring is correct, please proceed as follows:

1. By touching with the multimeter the pin no. 1 and the pin "ground", the tension voltage supply (UDC) must be read.
2. By touching with the multimeter the pin no. 2 and the pin "ground", half of the tension voltage supply (50% UDC) must be read, with joystick in neutral position and if the hookup keeps the module

Without the use of remote control neutral switch

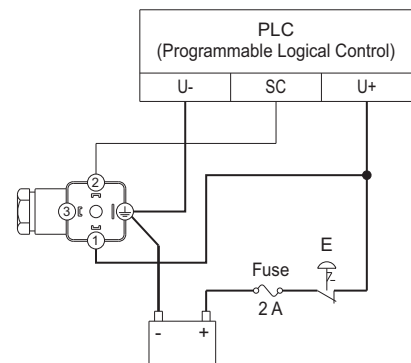
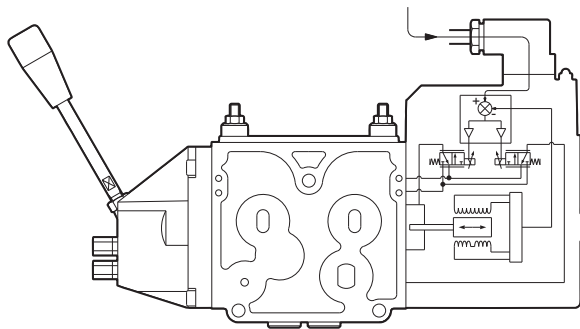


- 1 = U-
- 2 = Negative signal
- 3 = Signal control
- 4 = Positive signal
- 5 = U+
- 6 = "A" port, directional output (max. load 30 mA)
- 7 = (free)
- 8 = (free)
- 9 = "B" port, directional output (max. load 30 mA)
- = signals leads  
(min. cross-section 0.35 mm<sup>2</sup> - 21 AWG)
- = supply leads  
(min. cross-section 0.75 mm<sup>2</sup> - 18 AWG)

switched on.

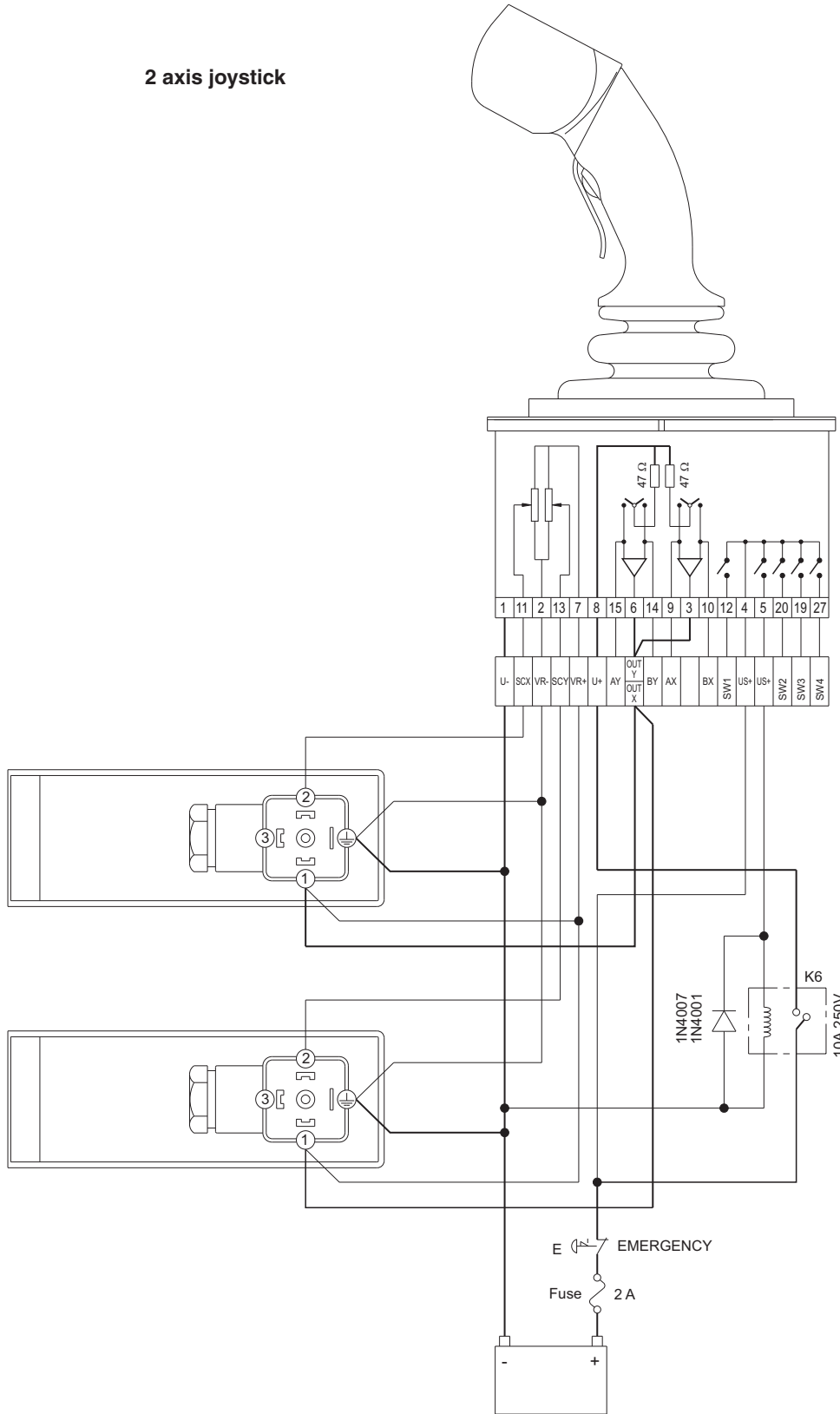
3. With multimeter in the same position as per point 2, by moving the joystick the signal control must be 25% of UDC on one side and 75% UDC on the other side
- The methods of control and the parameters as per points 1), 2), 3) are the same for all kinds of our joysticks.

## PLC electrical connections example. Input signal control 0 ÷ 20 mA and 0 ÷ 10 V



# Electrical connections for MHPED controls

2 axis joystick



- = signals leads  
(min. cross-section 0.35 mm<sup>2</sup> - 21 AWG)
- = supply leads  
(min. cross-section 0.75 mm<sup>2</sup> - 18 AWG)

Joystick









**BREVINI<sup>®</sup>**

*Motion Systems*

Code DBFCAT0002 - Rev. 02-2019

**Dana Motion Systems Italia S.r.l.**

Fluid Power Division

Sede operativa: Via Giulio Natta 1, 42124 Reggio Emilia - Italy  
Tel: +39.0522.270711 - Fax: +39.0522.505856

Sede legale: Via Luciano Brevini 1/A, 42124 Reggio Emilia - Italy  
Tel: +39.0522.9281 - Fax: +39.0522.928300

[www.dana.com/brevini](http://www.dana.com/brevini) - [dana.re@dana.com](mailto:dana.re@dana.com)

