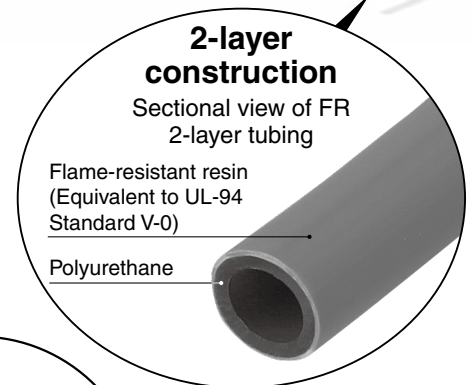




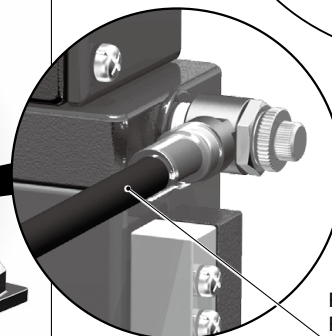
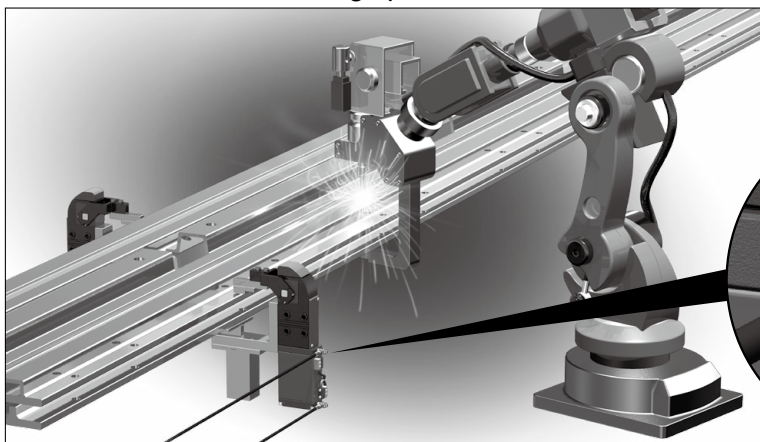
Flame Resistant (Equivalent to UL-94 Standard V-0) FR 2-Layer Soft Polyurethane Tubing

Peeling of the outer layer not required to connect fittings
Reduced labor time, Improved workability

- **Improved flexibility** (Compared with the TRBU)
- **No inner tubing exposure when connecting fittings**
- **Lightweight and Compact**
Weight: **57% reduction**,
Cross sectional area: **37% reduction**
(Compared with the TRBU0805)
- **Suitable for air and water piping in environments where spot welding spatter may be a problem**
- **Increased flow rate due to I.D. expansion:**
Max. 69% improvement
(Comparison between the TRBU1208 and the TRBU1210-X259)



Environment where welding spatter scatters



Series Comparison

| | | TRBU-X259 | TRBU |
|---------------------|-----------------|--|----------------------------|
| Tubing model | | | |
| Tubing construction | | 2-layer (Outer layer peeling not required) | 2-layer |
| Inner tubing | Material | Polyurethane | |
| Outer layer | Material | Flame-resistant resin | Flame-resistant polyolefin |
| | Flame resistant | Equivalent to V-0 | Equivalent to V-0 |
| Flexibility | | ◎ | ○ |
| Spatter resistant | | ○ | ◎ |
| Abrasion resistant | | ◎ | ○ |

◎: Excellent ○: Good

* Relative comparison based on SMC's testing conditions

TRBU-X259



20-E761

TRBU-X259

Model*1

● — 100 m reel

| Model | Tubing size (Metric size) | | | | | | | |
|-----------|---------------------------|----------|----------|----------|----------|----------|----------|----------|
| | TRBU3220 | TRBU0425 | TRBU0604 | TRBU0805 | TRBU1065 | TRBU1007 | TRBU1285 | TRBU1210 |
| O.D. [mm] | 3.2 | 4 | 6 | 8 | 10 | 10 | 12 | 12 |
| I.D. [mm] | 2 | 2.5 | 4 | 5 | 6.5 | 7 | 8.5 | 10 |
| Color*2 | Black (B) | ● | ● | ● | ● | ● | ● | ○ |
| | White (W) | ○ | ● | ● | ● | ● | ● | ● |
| | Red (R) | ○ | ● | ● | ● | ● | ○ | ○ |
| | Blue (BU) | ○ | ● | ● | ● | ● | ● | ○ |
| | Yellow (Y) | ○ | ● | ● | ● | ● | ○ | ○ |
| | Green (G) | ○ | ● | ● | ● | ● | ● | ○ |
| | Light red (RP) | ○ | ○ | ○ | ○ | ○ | ○ | ● |
| | Light green (GP) | ○ | ○ | ○ | ○ | ○ | ○ | ● |

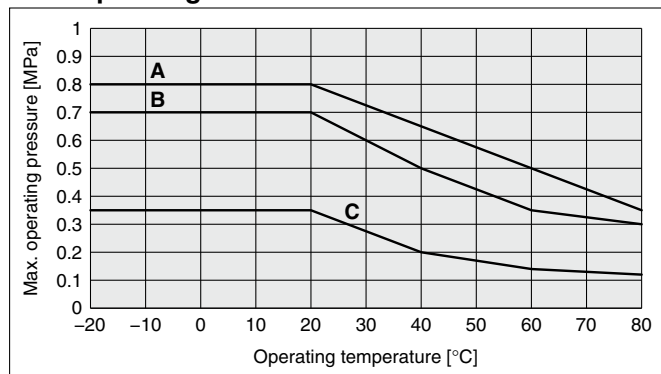
Specifications

| Fluid | | Air, Water | | | | | | | |
|-------------------------------|--------------|---|------|------|------|------|------|------|------|
| Max. operating pressure [MPa] | 20°C or less | 0.8 | 0.8 | 0.8 | 0.8 | 0.8 | 0.7 | 0.7 | 0.35 |
| | 40°C | 0.65 | 0.65 | 0.65 | 0.65 | 0.65 | 0.5 | 0.5 | 0.2 |
| | 60°C | 0.5 | 0.5 | 0.5 | 0.5 | 0.5 | 0.35 | 0.35 | 0.14 |
| | 80°C | 0.35 | 0.35 | 0.35 | 0.35 | 0.35 | 0.3 | 0.3 | 0.12 |
| Applicable fittings | | FR One-touch fittings KR-W2 series, Metal One-touch fittings KQB2 series, Insert fittings KF series | | | | | | | |
| Operating temperature | | -20 to +80°C, Water: 0 to 60°C (No freezing) | | | | | | | |
| Material | Inner tubing | Polyurethane | | | | | | | |
| | Outer layer | Flame-resistant resin (Equivalent to UL-94 Standard V-0) | | | | | | | |

*1 Products marked with "○" are available as a special order.

*2 The colors are opaque.

Max. Operating Pressure



| Group | Model | Max. operating pressure [MPa] | | | |
|-------|----------|-------------------------------|------|------|------|
| | | 20°C or less | 40°C | 60°C | 80°C |
| A | TRBU3220 | 0.8 | 0.65 | 0.5 | 0.35 |
| | TRBU0425 | | | | |
| | TRBU0604 | | | | |
| | TRBU0805 | | | | |
| B | TRBU1007 | 0.7 | 0.5 | 0.35 | 0.3 |
| | TRBU1285 | | | | |
| C | TRBU1210 | 0.35 | 0.2 | 0.14 | 0.12 |

How to Order

TRBU0604 B - 100 - X259

Tubing model

Length per roll

| Symbol | Length |
|--------|------------|
| 100 | 100 m reel |

Color

| Symbol | Color | Symbol | Color |
|--------|-------|--------|-------------|
| B | Black | Y | Yellow |
| W | White | G | Green |
| R | Red | RP | Light red |
| BU | Blue | GP | Light green |

⚠ Precautions

Be sure to read this before handling the products. For safety instructions and fittings & tubing precautions, refer to the "Handling Precautions for SMC Products" and the "Operation Manual" on the SMC website: <https://www.smcworld.com>

⚠ Caution

- Applicable for general industrial water. Please consult with SMC if using any other kind of fluid. Also, the surge pressure must not exceed the maximum operating pressure. If the surge pressure exceeds the maximum operating pressure, it will result in damage to fittings and tubes.
- Abnormal temperature rises caused by adiabatic compression may result in the tube bursting.

⚠ Safety Instructions Be sure to read the "Handling Precautions for SMC Products" (M-E03-3) and "Operation Manual" before use.