

Compact Cylinder Air Saving Type/ Polygonal Piston Rectangle Type



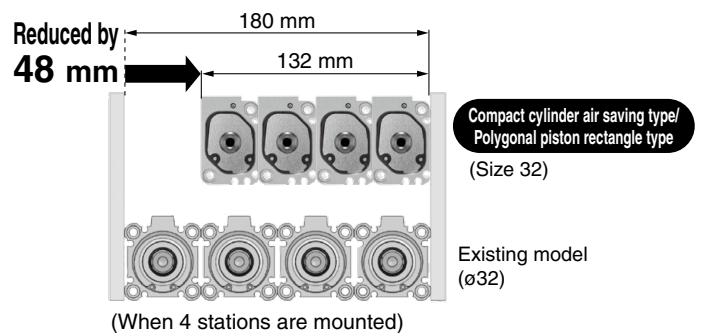
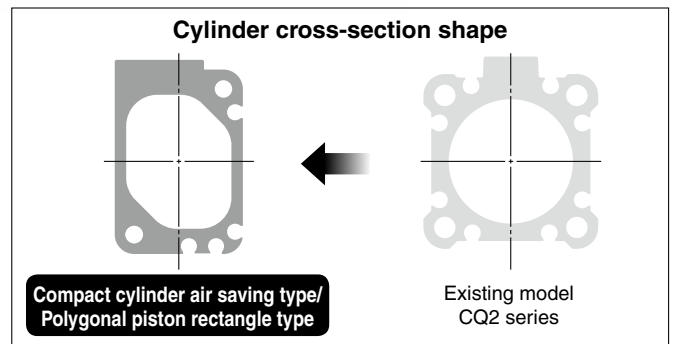
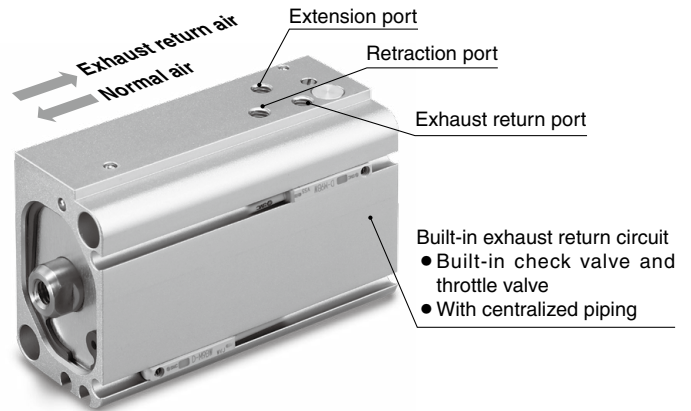
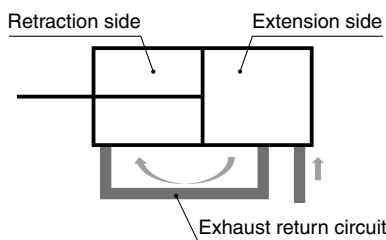
Size: 32, 40, 50

Air saving and more compact!
Improvements due to the adoption of a built-in exhaust return circuit and a polygonal piston

Air saving (Built-in exhaust return circuit)

Air consumption
Max. 46% reduction

- Uses the air exhausted from the extension side to supply the retraction side, thus reusing the air (Built-in exhaust return circuit)
- Reduce air consumption just by piping to the product

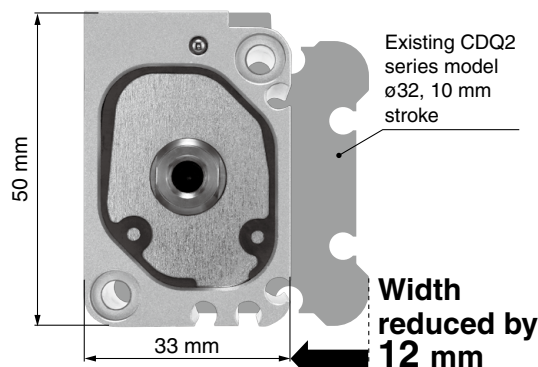


Compact (Now with a polygonal piston)

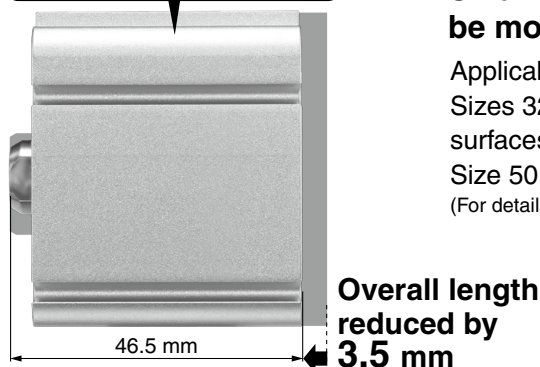
Width
27%*1 reduction
45 mm → 33 mm

Overall length
7%*1 reduction
50 mm → 46.5 mm

*1 Compared with the CDQ2 series, ø32, 10 mm stroke
The overall length of size 50 is 3 mm longer than that of the existing CQ2 model.



Compact cylinder air saving type/
Polygonal piston rectangle type
Size 32, 10 mm stroke



- With rubber bumper
- Small auto switches can be mounted.
Applicable auto switch: D-M9□
Sizes 32, 40: Mounting on 2 surfaces
Size 50: Mounting on 3 surfaces
(For details, refer to the dimensions.)

CDQ2B-X3206



CDQ2B-X3206

Specifications

Size		32 (Equiv. ø32 piston area)	40 (Equiv. ø40 piston area)	50 (Equiv. ø50 piston area)
Action		Double acting, Single rod		
Fluid		Air		
Proof pressure		1.0 MPa		
Max. operating pressure		0.7 MPa*3		
Min. operating pressure		0.4 MPa		
Ambient and fluid temperatures		5 to 60°C (No freezing)		
Lubrication		Not required (Non-lube)		
Piston speed	Extending operation	50 to 500 mm/s	50 to 300 mm/s*3	
	Retracting operation	50 to 300 mm/s	50 to 200 mm/s*3	
Cushion		Rubber bumper		
Stroke length tolerance		0 to +1.3 mm*1		
Port size	Extension port	M5 x 0.8		Rc1/8
	Retraction port	M5 x 0.8		Rc1/8
	Exhaust return port	M5 x 0.8		
Mounting orientation		Horizontal lateral, Vertical upward		
Min. theoretical output*2	Retracting operation	35 N	55 N	85 N
		Allowable kinetic energy	0.15 J	0.26 J
Allowable lateral load at rod end (At 30 st)		4.9 N	9.9 N	16.7 N
Mounting		Basic type (Through-hole)		

*1 Stroke length tolerance does not include the amount of bumper change.

*2 Be aware that the cylinder output is reduced during the retraction operation.

The cylinder output values in the table above are the min. values. Therefore, depending on the operating conditions, the output may be greater.

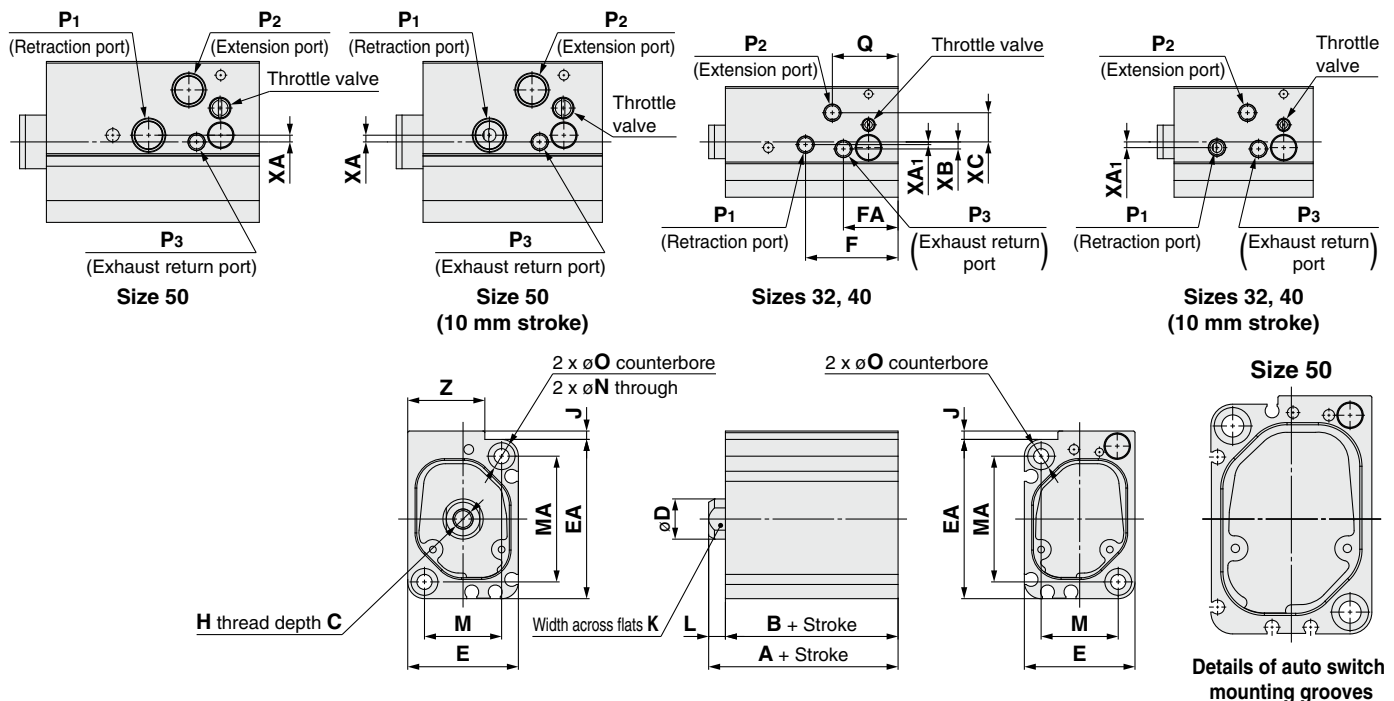
Please contact your local sales representative for more details.

Depending on the system configuration selected, the specified speed may not be satisfied.

*3 Maximum operating pressure and piston speed are different from the existing product (CQ2 series).

For all bore sizes, the positions of the switch mounting grooves vary slightly from those of the polygonal piston standard type.

Dimensions



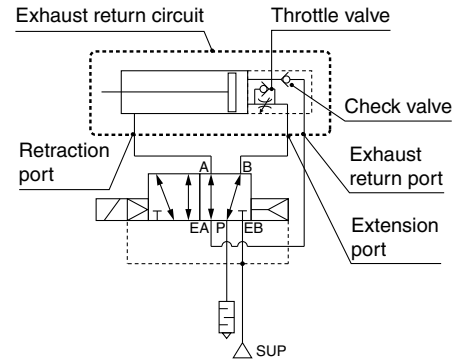
Size	A	B	C	D	E	EA	F		FA	H	J	K	L	M	MA	N
							10 mm stroke	20 to 50 mm stroke								
32	36.5	31.5	12	12	33	47.5	28.7	27.6	16.3	M6 x 1.0	2.5	10	5	23	37.5	4.5
40	44	38	13	14	39	56.5	31	27.9	16.9	M8 x 1.25	3	12	6	28	45.5	5.5
50	51.5	43.5	15	18	48	68.5	33.7	33	18.7	M10 x 1.5	2.5	16	8	35	55.5	6.6

Size	O	P1	P2	P3	Q	XA		10 mm stroke	XA1		XB	XC	Z
						10 mm stroke	20 to 50 mm stroke		10 mm stroke	20 to 50 mm stroke			
32	8 depth 6	M5 x 0.8	M5 x 0.8	M5 x 0.8	19.6	—	—	—	1.7	0.8	2.1	8.7	23
40	9 depth 7	M5 x 0.8	M5 x 0.8	M5 x 0.8	20.2	—	—	—	0.5	0	0.9	10.3	25
50	11 depth 8	Rc1/8	Rc1/8	M5 x 0.8	21	2	2	—	—	—	0	15.5	28

Standard Strokes

Size	Standard stroke [mm]
32	10, 20, 30, 40, 50
40	
50	

Circuit Diagram



Handling

Warning

1. Residual pressure will remain in the exhaust return piping of this circuit.

To completely exhaust all of the residual pressure, install a 3-port valve for residual pressure exhaust in the exhaust return piping.

2. The adjustment range for the throttle valve for retraction operation speed adjustment is, starting from the fully closed position, within the number of rotations shown in the table below.

Bore size [mm]	Number of rotations
32, 40	4.5 rotations or less
50	3 rotations or less

To adjust the throttle valve, use a 3 mm flat head watchmaker's screwdriver.

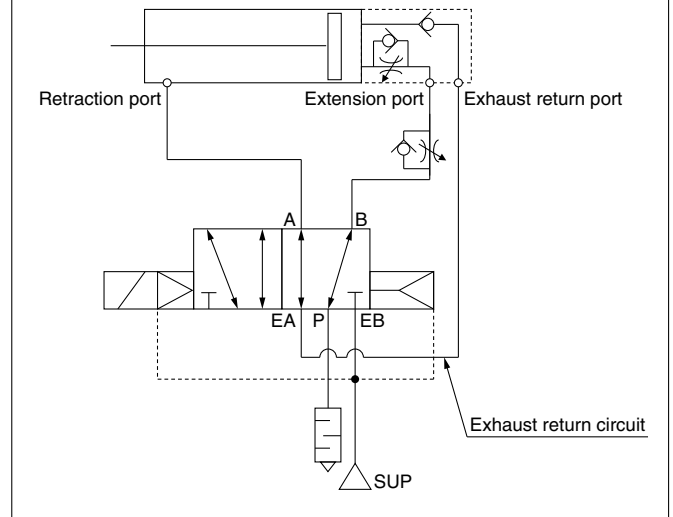
The adjustment range for the throttle valve is, between the fully closed position and the open position, within the range indicated in the table above.

A retaining mechanism prevents the throttle valve from slipping out; however, it may spring out during operation if it is rotated beyond the range shown above.

Caution

1. Pipe according to the circuit diagram shown below when using this cylinder.

Circuit diagram



2. For exhaust return, the selection and installation of suitable fittings, tubes, and devices is required. Please contact your local sales representative for more details.

3. For the solenoid valve, select a single unit (body ported or base ported) external pilot type.

4. Follow the instructions below to adjust the speed of this cylinder.

Extending operation: Use the speed controller (meter-in) installed between the extension port and the solenoid valve.

Retracting operation: Use the built-in throttle valve on the cylinder.

5. As the retracting operation of this cylinder is performed with low pressure and low thrust, refrain from applying more external force than necessary.

6. Pivot brackets cannot be used.

Safety Instructions Be sure to read the "Handling Precautions for SMC Products" (M-E03-3) and the "CQ2 Series Specific Product Precautions" before use.

SMC Corporation

Akihabara UDX 15F,
4-14-1, Sotokanda, Chiyoda-ku, Tokyo 101-0021, JAPAN
Phone: 03-5207-8249 Fax: 03-5298-5362
<https://www.smcworld.com>
© 2020 SMC Corporation All Rights Reserved

Specifications are subject to change without prior notice and any obligation on the part of the manufacturer.