

ISO Cylinder ISO Standard (15552)

C96 Series

ø32, ø40, ø50, ø63, ø80, ø100

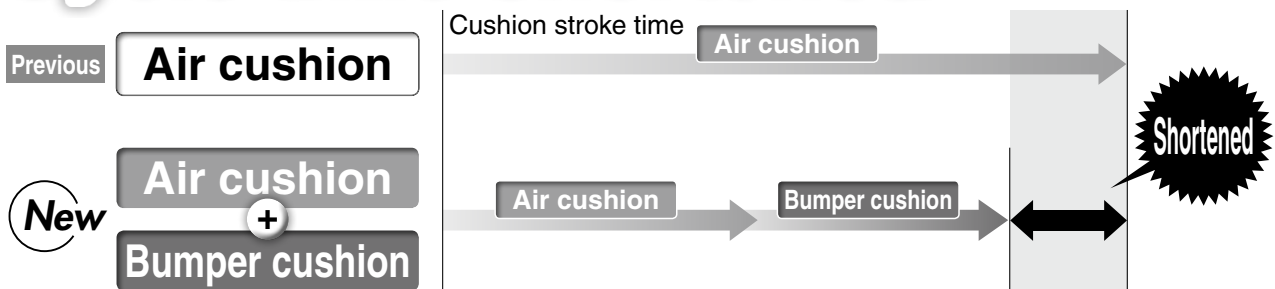
RoHS

Lightweight Up to **17% Weight reduced**

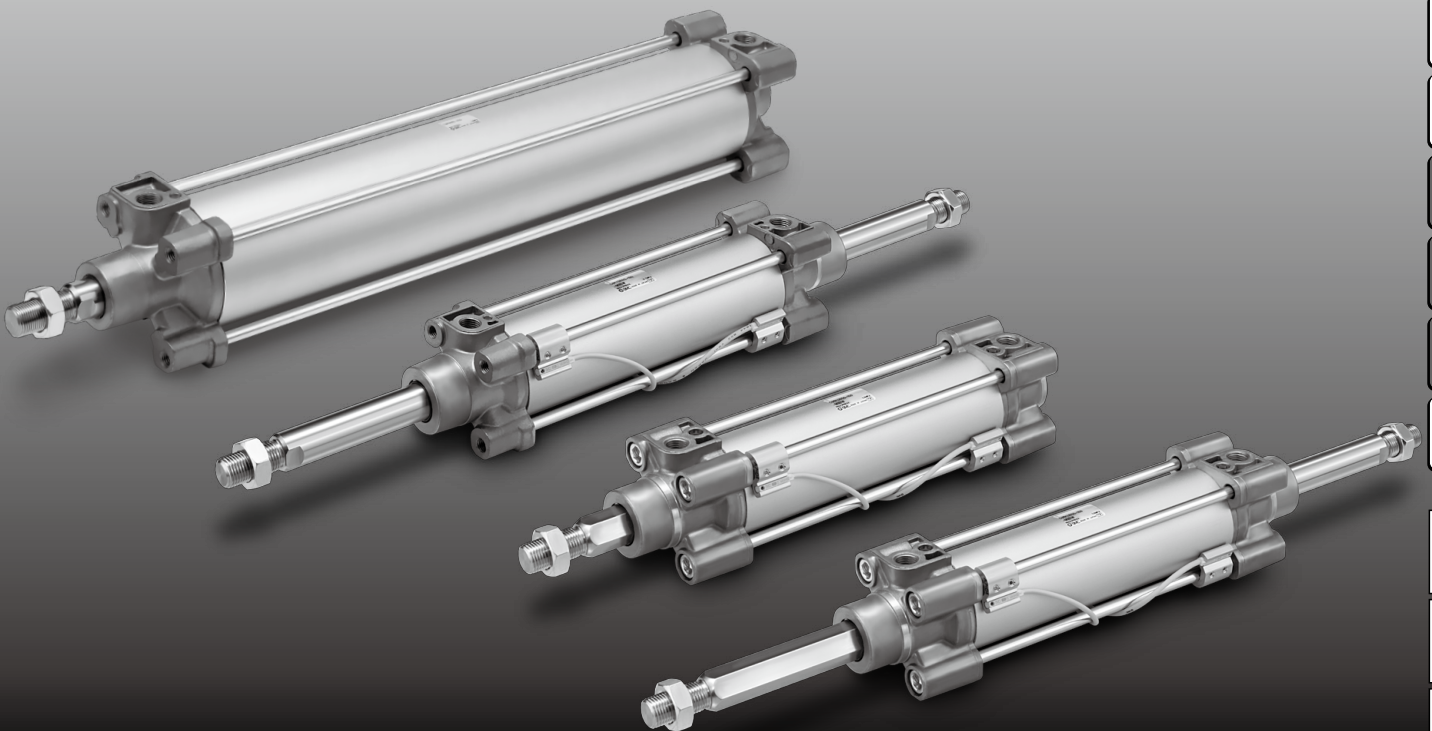
* Compared with the previous C96 series (ø40, 100 mm stroke)

■ By adopting a new cushion method (Air cushion + Bumper cushion),

Cycle time shortened



■ Bumper cushion reduces the metal noise that occurs when piston stops



- C85
- C85W
- C85-ST
- C85K
- C85K-ST
- C85R
- C75
- C75W
- C75-ST
- C75K
- C75K-ST
- C75R
- CP96
- CP96K
- C96
- C96K
- C96Y
- C55
- Auto Switch
- Made to Order
- Related Products

New C96 Series

Weight reduced

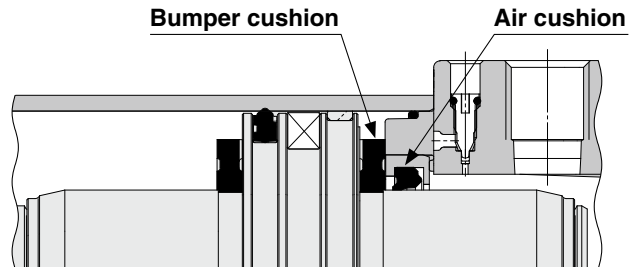
Achieved weight reduction by changing rod cover shape and piston structure

Bore size [mm]	C96	Reduction rate
32	0.65	13%
40	0.96	17%
50	1.57	13%
63	1.94	14%
80	3.12	13%
100	4.03	12%

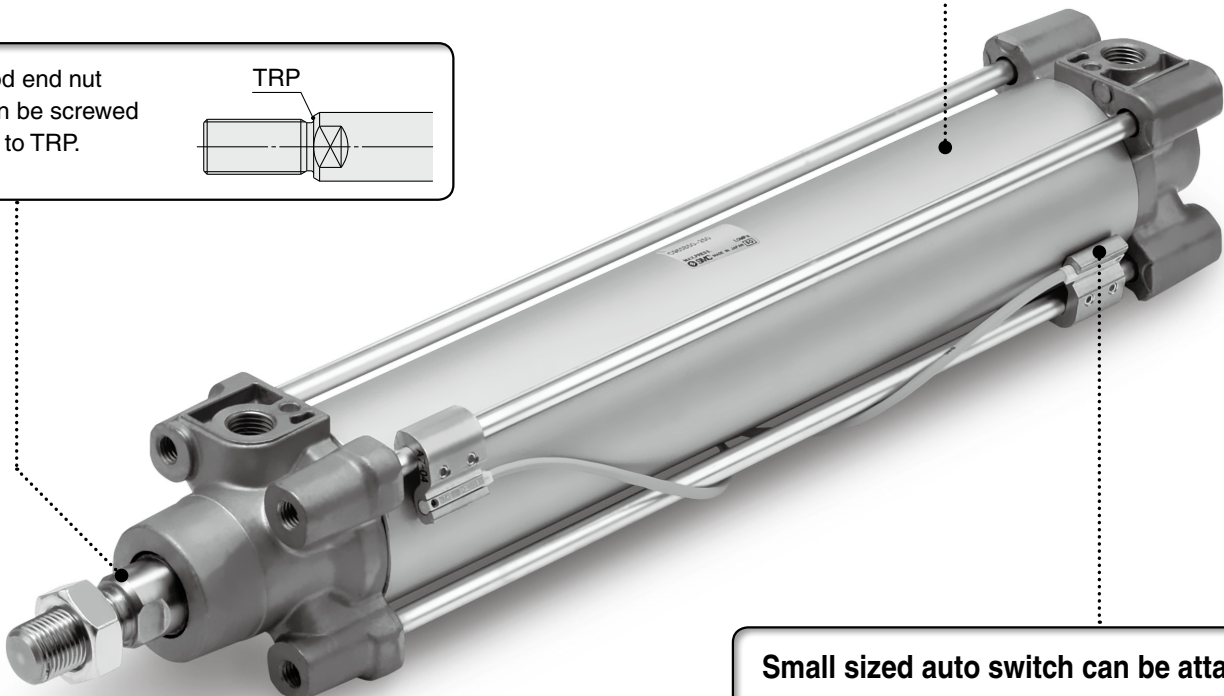
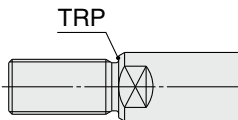
* Compared with the previous C96 series (ø40, 100 mm stroke)

Air cushion + Bumper cushion Combined structure

- The cushion stroke time can now be reduced with the double cushioning, which improves the cycle time.
- The bumper cushion reduces the metal noise that occurs when the piston stops at the end of the stroke.



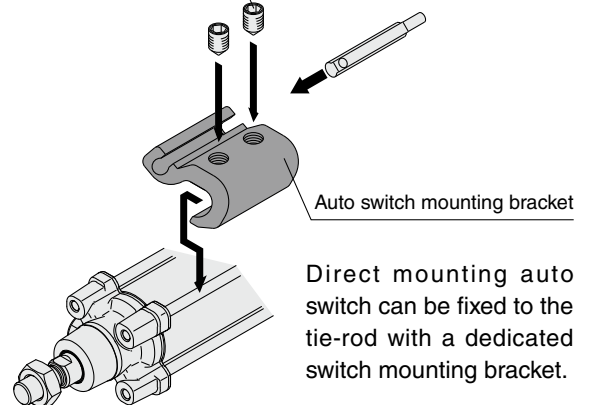
Rod end nut can be screwed up to TRP.



Small sized auto switch can be attached.

Solid state: D-M9□ Reed: D-A9□
D-M9□W

Auto switch mounting screw



Improved handling performance

Auto switch mounting and mounting position adjustment can be made in a one way direction.

Tie-rod mounting auto switch

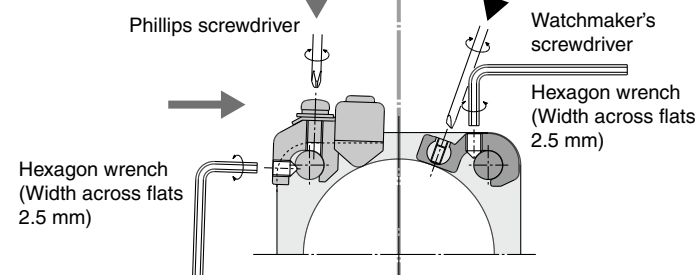
Previous

2-way

Direct mounting auto switch

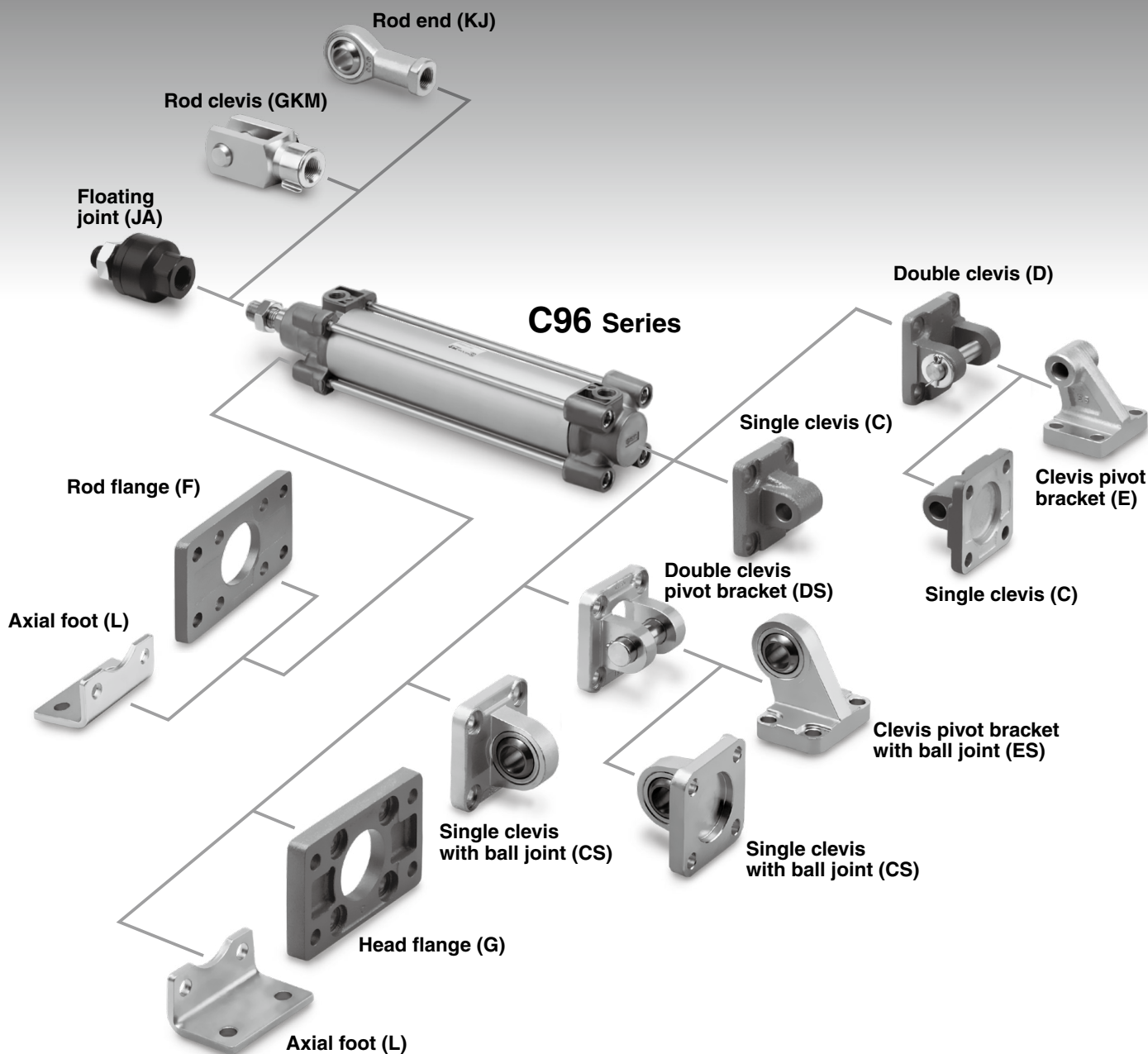
1-way

New method



Various mounting bracket options

Mounting brackets can be combined according to the operating conditions.



Series Variations

ISO Standards	Type	Action	Bore size [mm]							Page
			32	40	50	63	80	100	125	
ISO 15552	Standard C96 Series 	Double acting, Single rod	●	●	●	●	●	●	*1	161
		Double acting, Double rod	●	●	●	●	●	●	*1	
	Non-rotating rod C96K Series 	Double acting, Single rod	●	●	●	●	●	●		173
		Double acting, Double rod	●	●	●	●	●	●		
	Smooth Cylinder C96Y Series 	Double acting, Single rod	●	●	●	●	●	●	*1	177

*1 Bore size 125 is the same as the previous model. For details, refer to the [Web Catalog](#).

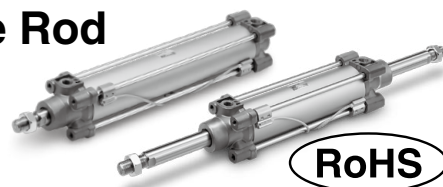
C85
C85W
C85-ST
C85K
C85K-ST
C85R
C75
C75W
C75-ST
C75K
C75K-ST
C75R
CP96
CP96K
C96
C96K
C96Y
C55
Auto Switch
Made to Order
Related Products

ISO Standard (15552)

Air Cylinder: Standard Type Double Acting, Single/Double Rod

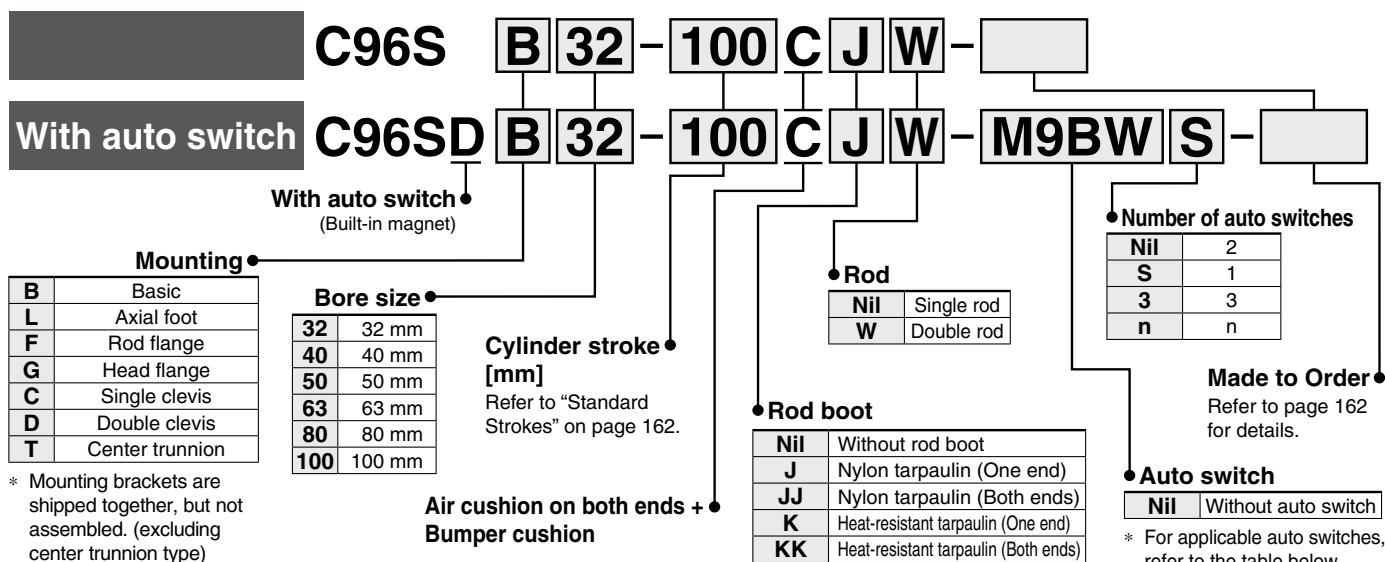
C96 Series

ø32, ø40, ø50, ø63, ø80, ø100



The C96 series, standard type, ø125 is the same as the previous model. For details, refer to the **Web Catalog**.

How to Order



Applicable Auto Switches/Refer to the Web Catalog or Best Pneumatics for further information on auto switches.

Type	Special function	Electrical entry	Indicator light	Wiring (Output)	Load voltage		Auto switch model		Lead wire length [m]				Pre-wired connector	Applicable load								
					DC	AC	Tie-rod mounting	Band mounting	0.5 (Nil)	1 (M)	3 (L)	5 (Z)										
Solid state auto switch	—	Grommet	—	3-wire (NPN)	5 V, 12 V	—	—	—	●	●	●	○	○	IC circuit								
				3-wire (PNP)					●	●	●	○	○									
				2-wire	●	●	●	○	○													
		Terminal conduit		3-wire (NPN)	5 V, 12 V	—	—	—	—	—	—	—	—		—	IC circuit						
				2-wire													—	—	—	—	—	
				3-wire (NPN)	5 V, 12 V	—	—	—	—	—	—	—	—		—							
	3-wire (PNP)	—	—	—										—		—	—					
	Diagnostic indication (2-color indicator)	Grommet	Yes	24 V	2-wire	12 V	—	—	—	—	—	—	—	—								
					3-wire (NPN)										●	●	●	○	○			
	Water-resistant (2-color indicator)	Grommet	—	24 V	3-wire (NPN)	5 V, 12 V	—	—	—	—	—	—	—	—								
					3-wire (PNP)										—	—	—	—	—	—		
	With diagnostic output (2-color indicator)	Grommet	—	24 V	2-wire	12 V	—	—	—	—	—	—	—	—								
3-wire (NPN)					—										○	○	●	○	○			
Magnetic field resistant (2-color indicator)	Grommet	—	24 V	3-wire (PNP)	5 V, 12 V	—	—	—	—	—	—	—	—									
				2-wire										—	○	○	●	○	○			
Reed auto switch	—	Grommet	Yes	3-wire (NPN equivalent)	—	5 V	—	—	●	—	●	—	—	IC circuit								
				2-wire											24 V	100 V	—	—	—	—	—	—
				Terminal conduit	100 V or less	12 V	—	—	—	—	—	—										
		100 V, 200 V			—								—		—	—	—	—				
		DIN terminal		200 V or less		—	—	—	—	—	—	—										
				—	—								—		—	—	—	—				
	Diagnostic indication (2-color indicator)	Grommet	Yes	24 V		4-wire (NPN)	5 V, 12 V	—	—	—	—	—		—					—			
					2-wire (Non-polar)	—							—		—	—	—	—				
	—	Grommet	No	24 V	2-wire	12 V	—	—	—	—	—	—	—	—								
															Terminal conduit	Yes	100 V, 200 V	—	—	—	—	—
		—	Grommet												—	24 V	2-wire	12 V	—	—	—	—
—																						
		—	Grommet												Yes	24 V	2-wire	12 V	—	—	—	—
—	Grommet			Yes	24 V	2-wire	12 V	—	—	—	—	—	—									

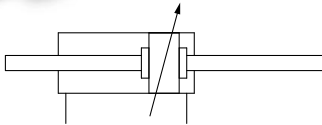
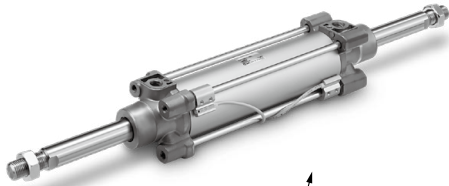
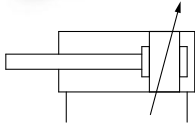
*1 Water-resistant type auto switches can be mounted on the above models, but SMC cannot guarantee water resistance.

* Lead wire length symbols: 0.5 m Nil (Example) M9NW
 1 m M (Example) M9NWM
 3 m L (Example) M9NWL
 5 m Z (Example) M9NWZ

* Solid state auto switches (marked with "○") are produced upon receipt of order.

* Since there are other applicable auto switches than listed above, refer to page 185 for details.

* The D-A9□/M9□/M9□W/M9□A auto switches are shipped together, but not assembled. (Only the auto switch mounting brackets are assembled before shipment.)



Made to Order
 (For details, refer to pages 190 to 199.)

Symbol	Specifications
-XA□	Change of rod end shape
-XC14	Change of trunnion bracket mounting position
-XB6	Heat-resistant cylinder (-10 to 150°C)
-XB7	Cold-resistant cylinder (-40 to 70°C)
-XC4	With heavy duty scraper
-XC7	Tie-rod, tie-rod nut, etc. made of stainless steel
-XC10	Dual stroke cylinder/Double rod type
-XC11	Dual stroke cylinder/Single rod type
-XC22	Fluororubber seal
-XC35	With coil scraper
-XC65	Made of stainless steel (Combination of -XC7 and -XC68)
-XC68	Made of stainless steel (with hard chrome plated piston rod)
-XC88	Spatter-resistant coil scraper, Lube-retainer, grease for welding (Piston rod: Stainless steel 304)
-XC89	Spatter-resistant coil scraper, Lube-retainer, grease for welding (Piston rod: S45C)

Refer to pages 181 to 185 for cylinders with auto switches.

- Auto Switch Proper Mounting Position (Detection at stroke end) and Mounting Height
- Minimum Stroke for Auto Switch Mounting
- Auto Switch Mounting Brackets/Part No.
- Operating Range

Specifications

Bore size [mm]	32	40	50	63	80	100
Action	Double acting					
Fluid	Air					
Proof pressure	1.5 MPa					
Max. operating pressure	1.0 MPa					
Min. operating pressure	0.05 MPa					
Ambient and fluid temperature	Without auto switch: -20 to 70°C (No freezing) With auto switch: -10 to 60°C (No freezing)					
Lubrication	Not required (Non-lube)					
Operating piston speed	50 to 1000 mm/s					
Allowable stroke tolerance	Up to 500 stroke: ${}^{+2}_0$, 501 to 1000 stroke: ${}^{+2.4}_0$, 1001 to 1500 stroke: ${}^{+2.8}_0$, 1501 to 2000 stroke: ${}^{+3.2}_0$					
Cushion	Air cushion on both ends + Bumper cushion					
Port size	G 1/8	G 1/4	G 1/4	G 3/8	G 3/8	G 1/2
Mounting	Basic, Axial foot, Rod flange, Head flange, Single clevis, Double clevis, Center trunnion					

Standard Strokes

Bore size [mm]	Standard stroke [mm]	Max. stroke*1
32	25, 50, 80, 100, 125, 160, 200, 250, 320, 400, 500	1000
40	25, 50, 80, 100, 125, 160, 200, 250, 320, 400, 500	1900
50	25, 50, 80, 100, 125, 160, 200, 250, 320, 400, 500, 600	1900
63	25, 50, 80, 100, 125, 160, 200, 250, 320, 400, 500, 600	1900
80	25, 50, 80, 100, 125, 160, 200, 250, 320, 400, 500, 600, 700, 800	1900
100	25, 50, 80, 100, 125, 160, 200, 250, 320, 400, 500, 600, 700, 800	1900

Intermediate strokes are available.

*1 Please consult with SMC for longer strokes.

Accessories

Mounting		Basic	Foot	Rod flange	Head flange	Single clevis	Double clevis	Center trunnion
Standard	Rod end nut	●	●	●	●	●	●	●
	Clevis pin	—	—	—	—	—	●	—
Option	Rod end	●	●	●	●	●	●	●
	Rod clevis	●	●	●	●	●	●	●
	Rod boot	●	●	●	●	●	●	●

* Do not use a rod end (or floating joint) together with a single clevis with a ball joint (or clevis pivot bracket with a ball joint).

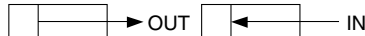
* Refer to pages 169 to 172 for dimensions and part numbers of the accessories.

⚠ Precautions

Be sure to read this before handling the products. Refer to page 219 for safety instructions. For actuator and auto switch precautions, refer to the "Handling Precautions for SMC Products" and the "Operation Manual" on the SMC website: <http://www.smcworld.com>

C96 Series

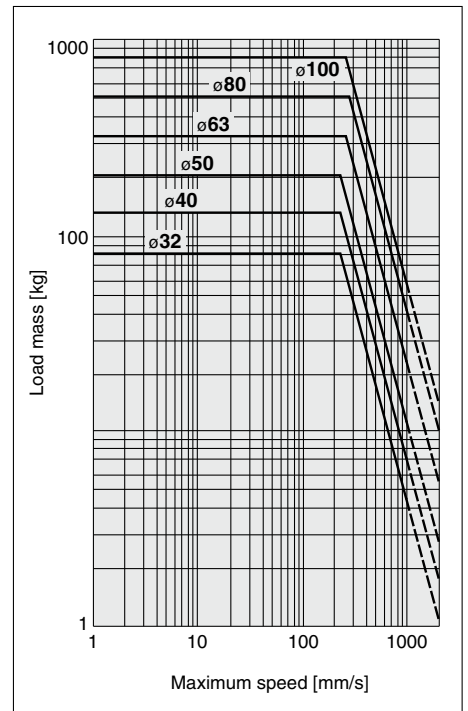
Theoretical Output



Allowable Kinetic Energy

Bore size [mm]	Rod size [mm]	Operating direction	Piston area [mm ²]	Operating pressure [MPa]								
				0.2	0.3	0.4	0.5	0.6	0.7	0.8	0.9	1.0
32	12	OUT	804	161	241	322	402	482	563	643	724	804
		IN	691	138	207	276	346	415	484	553	622	691
40	16	OUT	1257	251	377	503	629	754	880	1006	1131	1257
		IN	1056	211	317	422	528	634	739	845	950	1056
50	20	OUT	1963	393	589	785	982	1178	1374	1570	1767	1963
		IN	1649	330	495	660	825	989	1154	1319	1484	1649
63	20	OUT	3117	623	935	1247	1559	1870	2182	2494	2805	3117
		IN	2803	561	841	1121	1402	1682	1962	2242	2523	2803
80	25	OUT	5027	1005	1508	2011	2514	3016	3519	4022	4524	5027
		IN	4536	907	1361	1814	2268	2722	3175	3629	4082	4536
100	25	OUT	7854	1571	2356	3142	3927	4712	5498	6283	7068	7854
		IN	7363	1473	2209	2945	3682	4418	5154	5890	6627	7363

* Theoretical output [N] = Pressure [MPa] x Piston area [mm²]



(Example) Find the upper limit of rod end load when an air cylinder of ø63 is operated at 500 mm/s. From a point indicating 500 mm/s on the axis of abscissas, extend a line upward and find a point where it intersects with a line for the 63 mm bore size. Extend a line from the intersection to the left and find a load mass 80 kg.

Weights

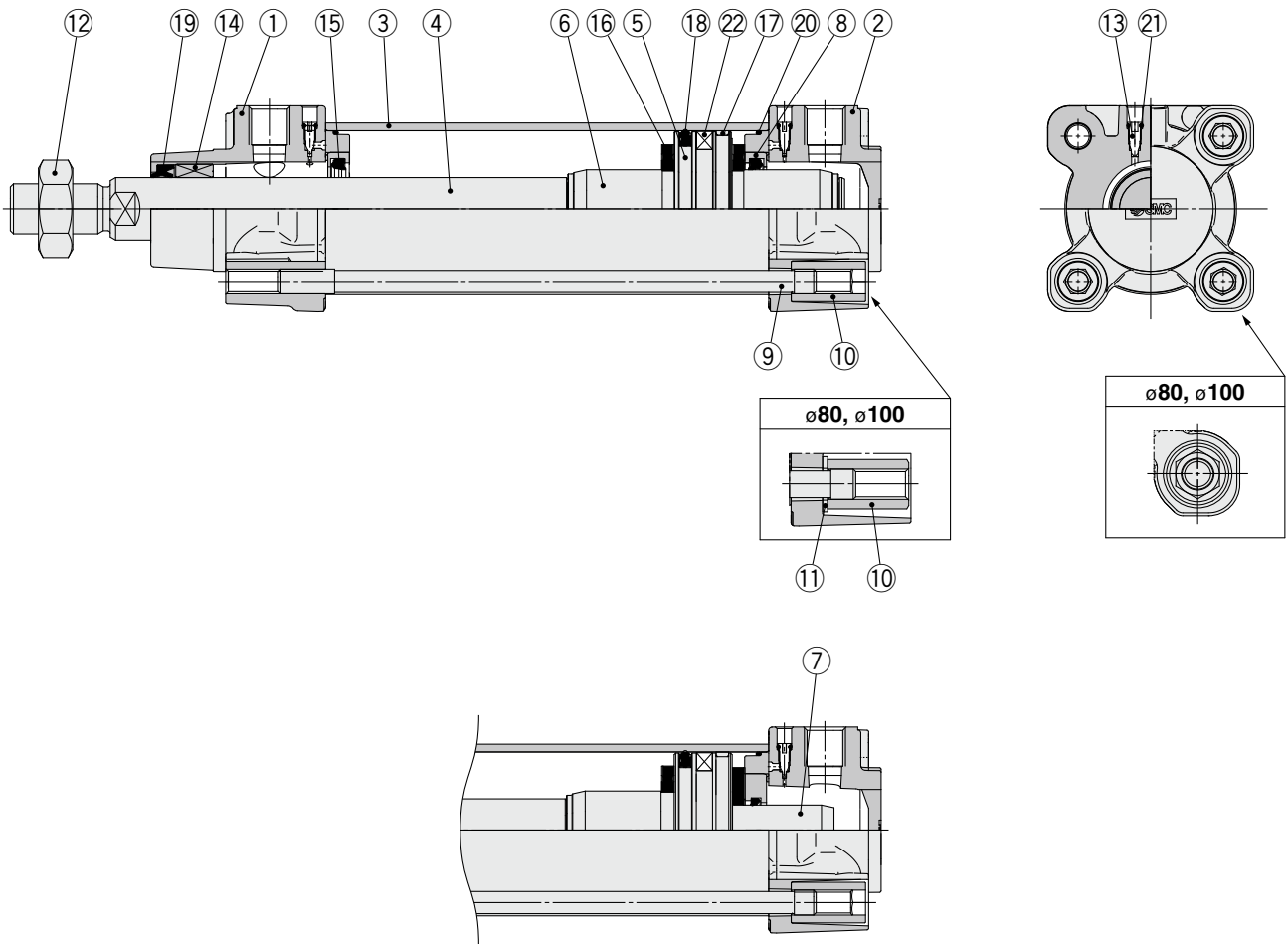
Bore size [mm]		32	40	50	63	80	100
Basic weight	Basic	0.43	0.64	1.09	1.42	2.32	3.15
	Foot	0.16	0.20	0.38	0.46	0.89	1.09
	Flange	0.20	0.23	0.47	0.58	1.30	1.81
	Single clevis	0.16	0.23	0.37	0.60	1.07	1.73
	Double clevis	0.20	0.32	0.45	0.71	1.28	2.11
	Trunnion	0.71	1.10	1.73	2.48	4.25	5.95
Additional weight per 50 mm of stroke	All mounting brackets	0.11	0.16	0.24	0.26	0.40	0.44
Accessories	Rod end	0.07	0.11	0.22		0.40	
	Rod clevis	0.09	0.15	0.34		0.69	

Calculation: Example) **C96SD40-100C**

- Basic weight 0.64 [kg] (Basic, ø40)
- Additional weight 0.16 (kg/50 st)
- Cylinder stroke 100 [st]
- Mounting bracket weight 0.32 [kg] (Double clevis)

$$0.64 + 0.16 \times 100 \div 50 + 0.32 = 1.28 \text{ kg}$$

Construction



Component Parts

No.	Description	Material	Note
1	Rod cover	Aluminum die-cast	
2	Head cover	Aluminum die-cast	
3	Cylinder tube	Aluminum alloy	
4	Piston rod	Carbon steel	
5	Piston	Aluminum alloy	ø32 to ø63
		Aluminum die-cast	ø80, ø100
6	Cushion ring A	Aluminum alloy	
7	Cushion ring B	Aluminum alloy	
8	Cushion seal holder	Aluminum alloy	
9	Tie-rod	Carbon steel	
10	Tie-rod nut	Steel	
11	Flat washer	Steel	ø80, ø100
12	Rod end nut	Steel	
13	Cushion valve	Resin	
14	Bushing	Bearing alloy	
15	Cushion seal	Urethane	
16	Bumper	Urethane	
17	Wear ring	Resin	
18	Piston seal	NBR	
19	Rod seal	NBR	
20	Cylinder tube gasket	NBR	
21	Cushion valve seal	NBR	
22	Magnet		

Replacement Parts/Seal Kit (Single rod)

Bore size [mm]	Kit no.	Contents
32	CS95-32	Kits include items 15, 17 to 20.
40	CS95-40	
50	CS95-50	
63	CS95-63	
80	CS95-80	
100	CS96-100	

* Seal kits consist of items 15, 17 to 20 and can be ordered by using the seal kit number corresponding to each bore size.

* The seal kit includes a grease pack (10 g for ø32 to ø50, 20 g for ø63 and ø80, 30 g for ø100).

Order with the following part number when only the grease pack is needed.

Grease pack part number: GR-S-010 (10 g), GR-S-020 (20 g)

Seal Kit (Double rod)

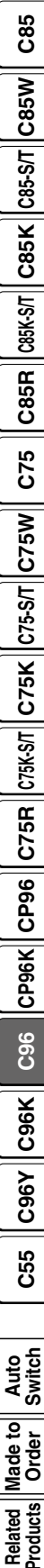
Bore size [mm]	Kit no.	Contents
32	CS95W-32	Kits include items 15, 18 to 20
40	CS95W-40	
50	CS95W-50	
63	CS95W-63	
80	CS95W-80	
100	CS96W-100	

* Seal kits consist of items 15, 18 to 20 and can be ordered by using the seal kit number corresponding to each bore size.

* The seal kit includes a grease pack (10 g for ø32 to ø50, 20 g for ø63 and ø80, 30 g for ø100).

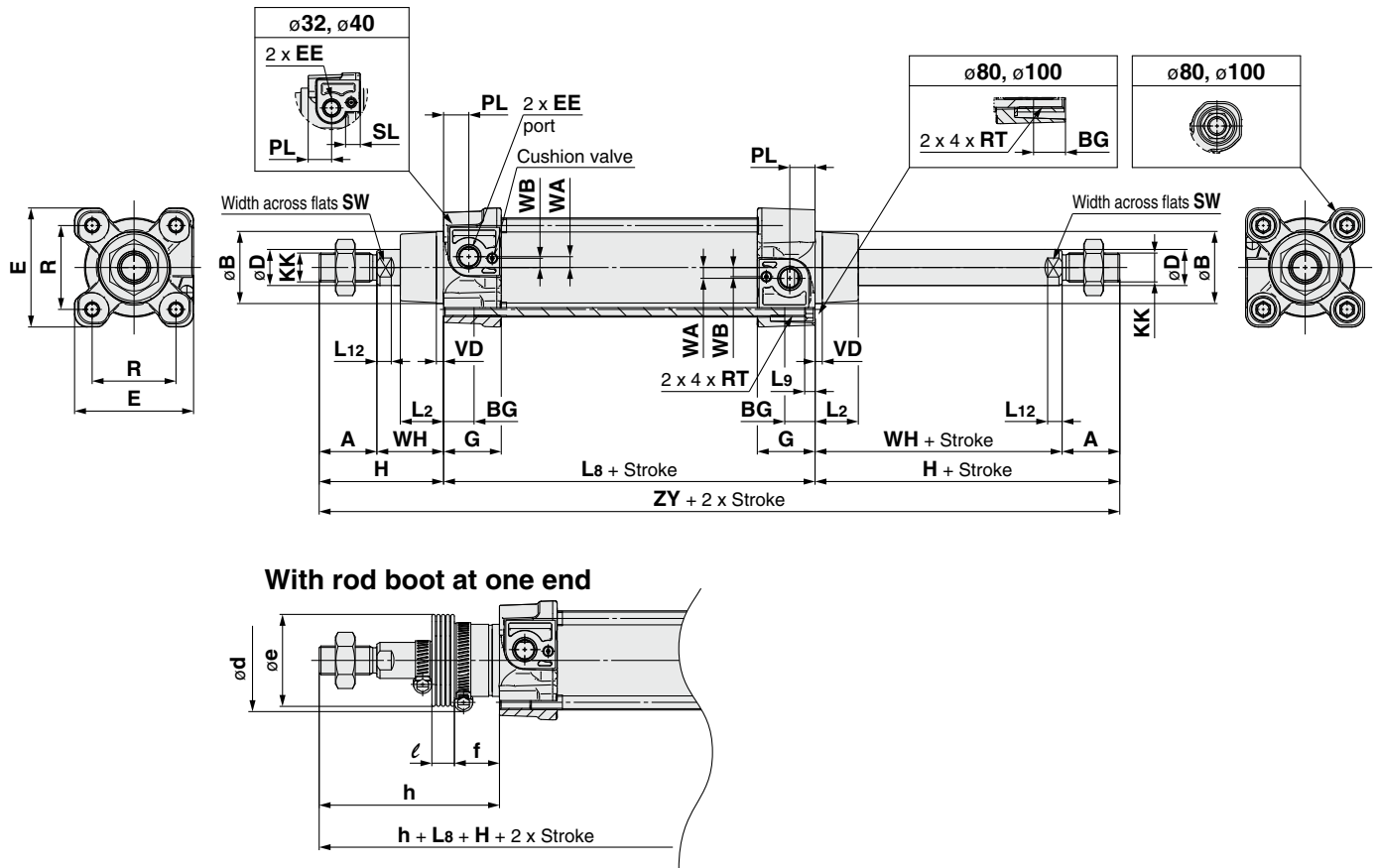
Order with the following part number when only the grease pack is needed.

Grease pack part number: GR-S-010 (10 g), GR-S-020 (20 g)



Dimensions

Basic: C96S (D) B Bore size – Stroke C (J) W



Bore size [mm]	Stroke range [mm]	A	ϕB d11	ϕD	EE	PL	RT	L12	KK	SW	G	BG	L8	VD	WA	WB	WH	ZY	E	R	L2	L9	H	SL
32	Up to 1000	22	30	12	G 1/8	13	M6 x 1	6	M10 x 1.25	10	28.9	16	94	4	4	7	26	190	47	32.5	15	4	48	8
40	Up to 1000	24	35	16	G 1/4	14	M6 x 1	6.5	M12 x 1.25	13	32.6	16	105	4	5	8.9	30	213	54	38	17	4	54	8
50	Up to 1000	32	40	20	G 1/4	14	M8 x 1.25	8	M16 x 1.5	17	32	16	106	4	6	5.1	37	244	66	46.5	24	5	69	-
63	Up to 1000	32	45	20	G 3/8	16	M8 x 1.25	8	M16 x 1.5	17	38.6	16	121	4	9	6.3	37	259	77	56.5	24	5	69	-
80	Up to 1000	40	45	25	G 3/8	16	M10 x 1.5	10	M20 x 1.5	22	38.4	17	128	4	11.5	6	46	300	99	72	30	-	86	-
100	Up to 1000*1	40	55	25	G 1/2	18	M10 x 1.5	10	M20 x 1.5	22	42.9	17	138	4	17	10	51	320	118	89	32	-	91	-

*1 Minimum stroke for trunnion mounting: 1 mm for bore size 32 to 80, 5 mm for bore size 100

Bore size [mm]	ϕe	ϕd	f	l												h											
				1 to 50	51 to 100	101 to 150	151 to 200	201 to 300	301 to 400	401 to 500	501 to 600	601 to 700	701 to 800	801 to 900	901 to 1000	1 to 50	51 to 100	101 to 150	151 to 200	201 to 300	301 to 400	401 to 500	501 to 600	601 to 700	701 to 800	801 to 900	901 to 1000
32	36	54	23	12.5	25	37.5	50	75	100	125	150	175	200	225	250	75	88	100	113	138	163	188	213	238	263	288	313
40	36	54	23	12.5	25	37.5	50	75	100	125	150	175	200	225	250	75	88	100	113	138	163	188	213	238	263	288	313
50	51	64	25	12.5	25	37.5	50	75	100	125	150	175	200	225	250	87	100	112	125	150	175	200	225	250	275	300	325
63	51	64	25	12.5	25	37.5	50	75	100	125	150	175	200	225	250	87	100	112	125	150	175	200	225	250	275	300	325
80	56	68	30	12.5	25	37.5	50	75	100	125	150	175	200	225	250	103	116	128	141	166	191	216	241	266	291	316	341
100	56	76	32	12.5	25	37.5	50	75	100	125	150	175	200	225	250	103	116	128	141	166	191	216	241	266	291	316	341

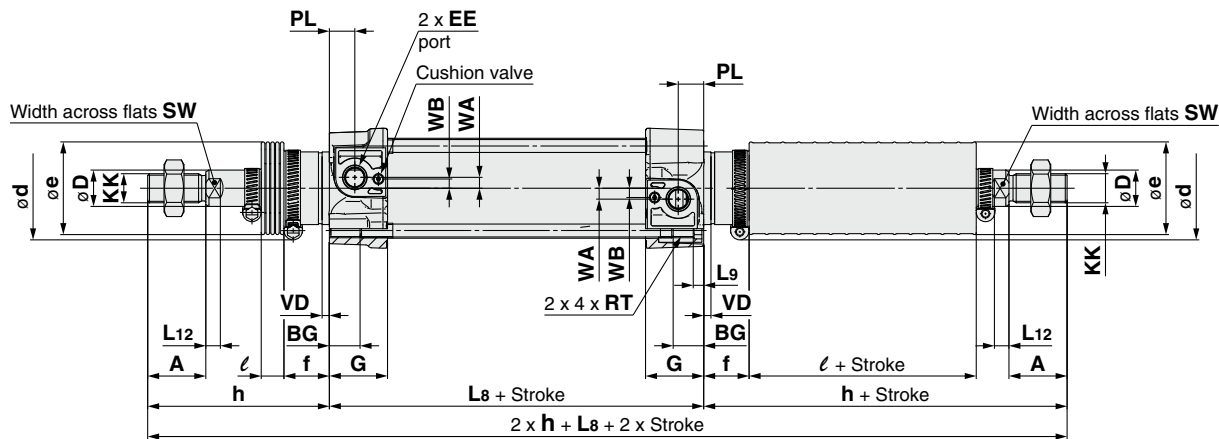
- C85
- C85W
- C85-ST
- C85K
- C85K-ST
- C85R
- C75
- C75W
- C75-ST
- C75K
- C75K-ST
- C75R
- CP96
- CP96K
- C96
- C96K
- C96Y
- C55
- Auto Switch
- Made to Order
- Related Products

C96 Series

Dimensions

Basic: C96S (D) B Bore size – Stroke C (JJ) W

With rod boot at both ends



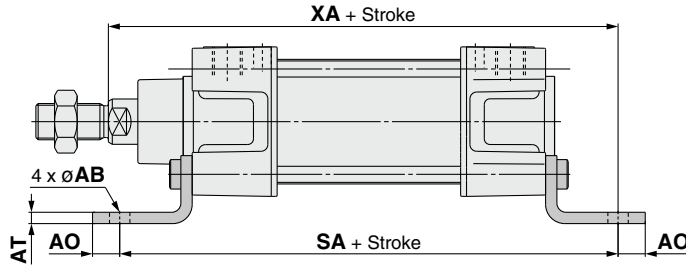
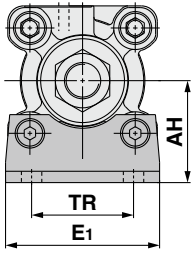
Bore size [mm]	Stroke range [mm]	A	∅D	EE	PL	RT	L12	KK	SW	G	BG	L8	VD	WA	WB	E	R	L9	SL
32	Up to 1000	22	12	G 1/8	13	M6 x 1	6	M10 x 1.25	10	28.9	16	94	4	4	7	47	32.5	4	8
40	Up to 1000	24	16	G 1/4	14	M6 x 1	6.5	M12 x 1.25	13	32.6	16	105	4	5	8.9	54	38	4	8
50	Up to 1000	32	20	G 1/4	14	M8 x 1.25	8	M16 x 1.5	17	32	16	106	4	6	5.1	66	46.5	5	–
63	Up to 1000	32	20	G 3/8	16	M8 x 1.25	8	M16 x 1.5	17	38.6	16	121	4	9	6.3	77	56.5	5	–
80	Up to 1000	40	25	G 3/8	16	M10 x 1.5	10	M20 x 1.5	22	38.4	17	128	4	11.5	6	99	72	–	–
100	Up to 1000*1	40	25	G 1/2	18	M10 x 1.5	10	M20 x 1.5	22	42.9	17	138	4	17	10	118	89	–	–

*1 Minimum stroke for trunnion mounting: 1 mm for bore size 32 to 80, 5 mm for bore size 100

Bore size [mm]	∅e	∅d	f	ℓ												h											
				1 to 50	51 to 100	101 to 150	151 to 200	201 to 300	301 to 400	401 to 500	501 to 600	601 to 700	701 to 800	801 to 900	901 to 1000	1 to 50	51 to 100	101 to 150	151 to 200	201 to 300	301 to 400	401 to 500	501 to 600	601 to 700	701 to 800	801 to 900	901 to 1000
32	36	54	23	12.5	25	37.5	50	75	100	125	150	175	200	225	250	75	88	100	113	138	163	188	213	238	263	288	313
40	36	54	23	12.5	25	37.5	50	75	100	125	150	175	200	225	250	75	88	100	113	138	163	188	213	238	263	288	313
50	51	64	25	12.5	25	37.5	50	75	100	125	150	175	200	225	250	87	100	112	125	150	175	200	225	250	275	300	325
63	51	64	25	12.5	25	37.5	50	75	100	125	150	175	200	225	250	87	100	112	125	150	175	200	225	250	275	300	325
80	56	68	30	12.5	25	37.5	50	75	100	125	150	175	200	225	250	103	116	128	141	166	191	216	241	266	291	316	341
100	56	76	32	12.5	25	37.5	50	75	100	125	150	175	200	225	250	103	116	128	141	166	191	216	241	266	291	316	341

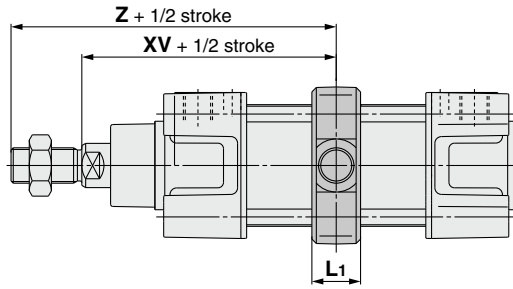
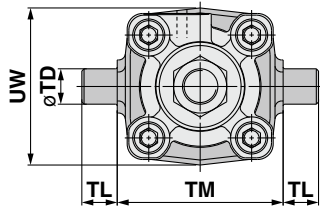
Dimensions: With Mounting Bracket (Dimensions are common to single rod and double rod.)

Axial foot (L)



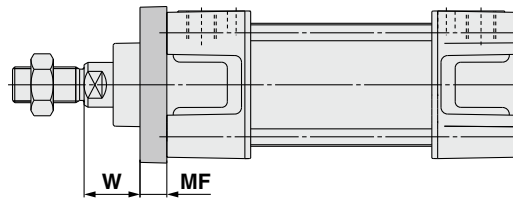
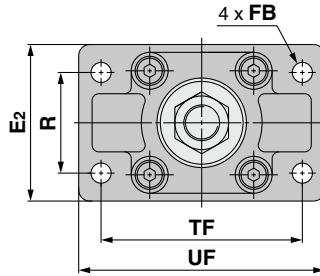
Bore size [mm]	[mm]						
	E1	TRA	HA	AO	AT	AB	SA XA
32	48	32	32	10	4.5	7	142 144
40	55	36	36	11	4.5	10	161 163
50	68	45	45	12	5.5	10	170 175
63	80	50	50	12	5.5	10	185 190
80	100	63	63	14	6.5	12	210 215
100	120	75	71	16	6.5	14.5	220 230

Center trunnion (T)



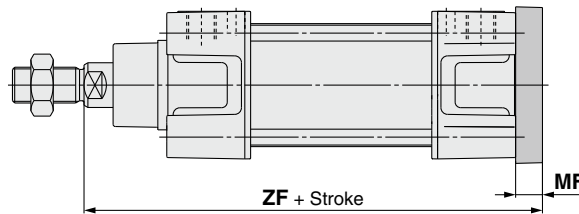
Bore size [mm]	[mm]						
	TM	TL	TD e8	UW	L1	XV	Z
32	50	12	12	49	17	73	95
40	63	16	16	58	22	82.5	106.5
50	75	16	16	71	22	90	122
63	90	20	20	87	28	97.5	129.5
80	110	20	20	110	34	110	150
100	132	25	25	136	40	120	160

Rod flange (F)



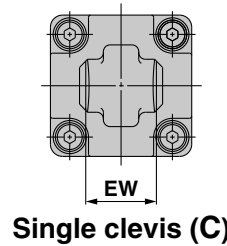
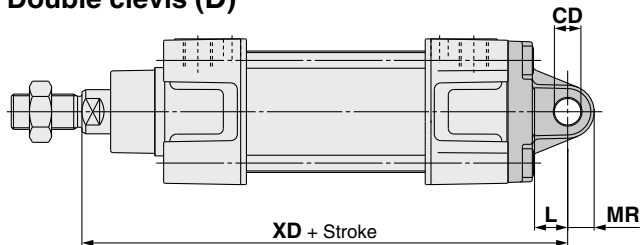
Bore size [mm]	[mm]						
	R	TF	FB	E2	UF	W	MF
32	32	64	7	50	79	16	10
40	36	72	9	55	90	20	10
50	45	90	9	70	110	25	12
63	50	100	9	80	120	25	12
80	63	126	12	100	153	30	16
100	75	150	14	120	178	35	16

Head flange (G)

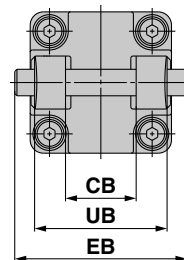


Bore size [mm]	[mm]	
	MF	ZF
32	10	130
40	10	145
50	12	155
63	12	170
80	16	190
100	16	205

**Single clevis (C)
 Double clevis (D)**



Single clevis (C)



Double clevis (D)

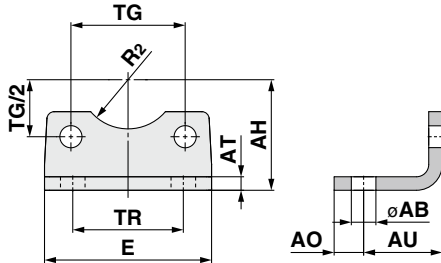
Bore size [mm]	[mm]							
	EW	CD H9	L	MR	XD	UB h14	CB H14	EB
32	26 ^{-0.2} _{-0.6}	10	12	9.5	142	45	26	65
40	28 ^{-0.2} _{-0.6}	12	15	12	160	52	28	75
50	32 ^{-0.2} _{-0.6}	12	15	12	170	60	32	80
63	40 ^{-0.2} _{-0.6}	16	20	16	190	70	40	90
80	50 ^{-0.2} _{-0.6}	16	20	16	210	90	50	110
100	60 ^{-0.2} _{-0.6}	20	25	20	230	110	60	140

- C85
- C85W
- C85-ST
- C85K
- C85K-ST
- C85R
- C75
- C75W
- C75-ST
- C75K
- C75K-ST
- C75R
- C75R
- CP96
- CP96K
- CP96K
- C96
- C96K
- C96K
- C96Y
- C55
- Auto Switch
- Made to Order
- Related Products

C96 Series Accessories

Dimensions: Mounting Brackets

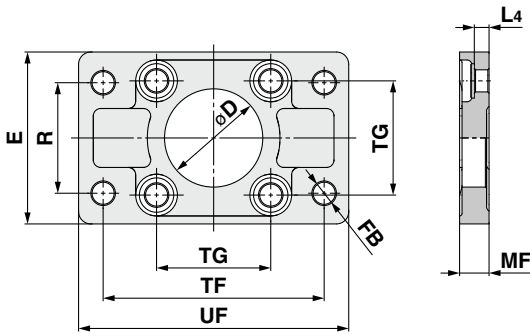
Axial foot (L)



Bore size [mm]	Part no.	AB	TG ± 0.2	E	TR	AO	AU	AH	AT	R2	Screw size
32	L5032	7	32.5	48	32	10	24	32	4.5	15	M6 x 16L
40	L5040	10	38	55	36	11	28	36	4.5	17.5	M6 x 16L
50	L5050	10	46.5	68	45	12	32	45	5.5	20	M8 x 20L
63	L5063	10	56.5	80	50	12	32	50	5.5	22.5	M8 x 20L
80	L5080	12	72	100	63	14	41	63	6.5	22.5	M10 x 20L
100	L5100	14.5	89	120	75	16	41	71	6.5	27.5	M10 x 20L

* Supplied with 4 mounting screws.

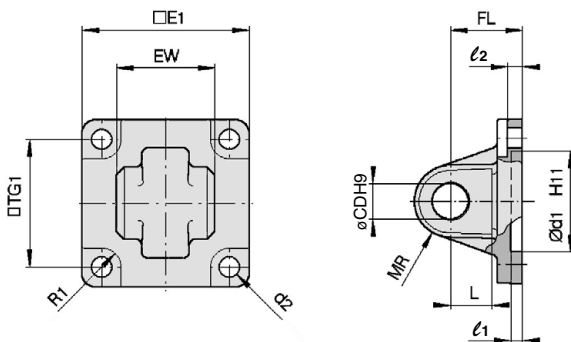
Flange (F, G)



Bore size [mm]	Part no.	D H11	ϕ FB	TG ± 0.2	E	R	MF	TF	UF	L4	Screw size
32	F5032	30	7	32.5	50	32	10	64	79	5	M6 x 20L
40	F5040	35	9	38	55	36	10	72	90	5	M6 x 20L
50	F5050	40	9	46.5	70	45	12	90	110	6.5	M8 x 20L
63	F5063	45	9	56.5	80	50	12	100	120	6.5	M8 x 20L
80	F5080	45	12	72	100	63	16	126	153	9	M10 x 25L
100	F5100	55	14	89	120	75	16	150	178	9	M10 x 25L

* Supplied with 4 mounting screws.

Single clevis (C)

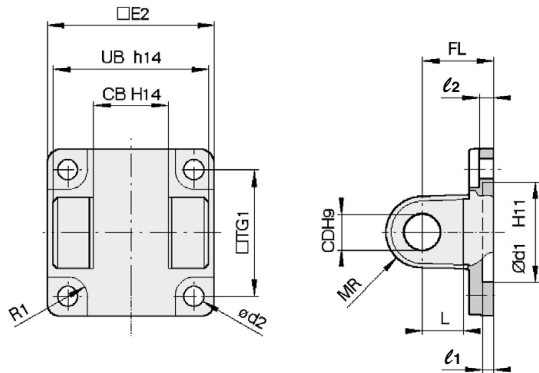


Bore size [mm]	Part no.	E1	EW	TG1	FL	l_1	L	l_2	ϕd_1	ϕCD	MR	ϕd_2	R1
32	C5032	45	26 $^{-0.2}_{-0.6}$	32.5	22	5	12	5.5	30	10	9.5	6.6	6.5
40	C5040	51	28 $^{-0.2}_{-0.6}$	38	25	5	15	5.5	35	12	12	6.6	6.5
50	C5050	64	32 $^{-0.2}_{-0.6}$	46.5	27	5	15	6.5	40	12	12	9	8.5
63	C5063	74	40 $^{-0.2}_{-0.6}$	56.5	32	5	20	6.5	45	16	16	9	8.5
80	C5080	94	50 $^{-0.2}_{-0.6}$	72	36	5	20	10	45	16	16	11	11
100	C5100	113	60 $^{-0.2}_{-0.6}$	89	41	5	25	10	55	20	20	11	12

* Supplied with 4 mounting screws.

Dimensions: Mounting Brackets, Pivot Brackets for Cylinder Mounting

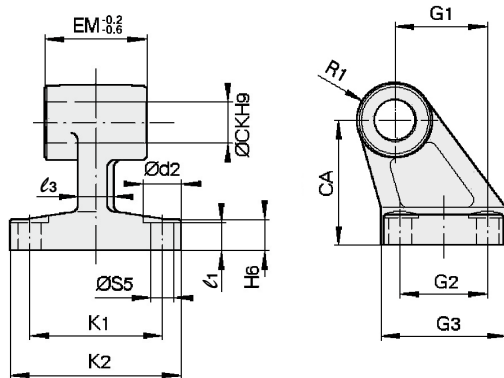
Double clevis (D)



Bore size [mm]	Part no.	TG ₁	FL	l ₁	L	l ₂	∅d ₁	∅CD	MR	∅d ₂	R ₁	E ₂	UB	CB
32	D5032	32.5	22	5	12	5.5	30	10	9.5	6.6	6.5	48	45	26
40	D5040	38	25	5	15	5.5	35	12	12	6.6	6.5	56	52	28
50	D5050	46.5	27	5	15	6.5	40	12	12	9	8.5	64	60	32
63	D5063	56.5	32	5	20	6.5	45	16	16	9	8.5	75	70	40
80	D5080	72	36	5	20	10	45	16	16	11	11	95	90	50
100	D5100	89	41	5	25	10	55	20	20	11	12	115	110	60

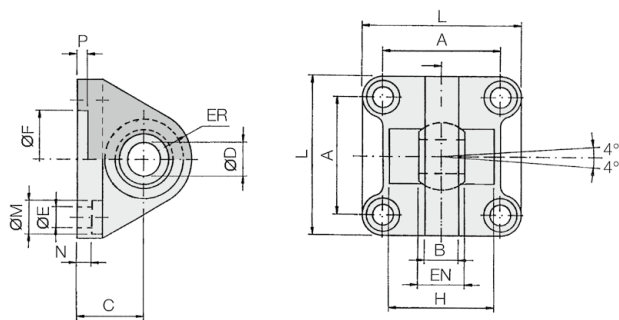
* Supplied with 4 mounting screws, clevis pin, and clevis pin bracket.

Clevis pivot bracket (E)



Bore size [mm]	Part no.	∅d ₂	∅CK	∅S ₅	K ₁	K ₂ (Max.)	l ₃ (Max.)	G ₁	l ₁	G ₂	EM	G ₃ (Max.)	CA	H ₆	R ₁
32	E5032	11	10	6.6	38	51	10	21	7	18	26 ^{-0.2} _{-0.6}	31	32	8	10
40	E5040	11	12	6.6	41	54	10	24	9	22	28 ^{-0.2} _{-0.6}	35	36	10	11
50	E5050	15	12	9	50	65	12	33	11	30	32 ^{-0.2} _{-0.6}	45	45	12	12
63	E5063	15	16	9	52	67	14	37	11	35	40 ^{-0.2} _{-0.6}	50	50	12	15
80	E5080	18	16	11	66	86	18	47	12.5	40	50 ^{-0.2} _{-0.6}	60	63	14	15
100	E5100	18	20	11	76	96	20	55	13.5	50	60 ^{-0.2} _{-0.6}	70	71	15	19

Single clevis with ball joint (CS)



Bore size [mm]	Part no.	A	B (Max.)	C	∅DH ₇	EN _{0 -0.1}	ER (Max.)	∅FH ₁₁	∅E	L	∅M	N	P	H _{±0.5}
32	CS5032	32.5	10.5	22	10	14	15	30	6.6	45	10.5	5.5	5	—
40	CS5040	38	12	25	12	16	18	35	6.6	55	11	5.5	5	—
50	CS5050	46.5	15	27	16	21	20	40	9	65	15	6.5	5	51
63	CS5063	56.5	15	32	16	21	23	45	9	75	15	6.5	5	—
80	CS5080	72	18	36	20	25	27	45	11	95	18	10	5	70
100	CS5100	89	18	41	20	25	30	55	11	115	18	10	5	—

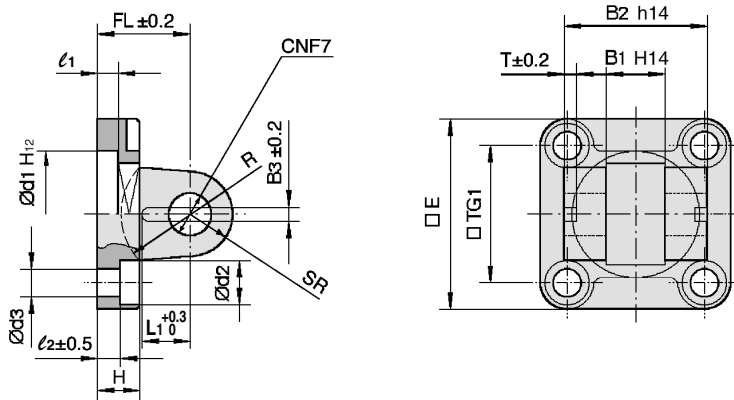
* Supplied with 4 mounting screws.

- C85
- C85W
- C85-ST
- C85K
- C85K-ST
- C85R
- C75
- C75W
- C75-ST
- C75K
- C75K-ST
- C75R
- C75R
- CP96
- CP96K
- C96
- C96K
- C96Y
- C55
- Auto Switch
- Made to Order
- Related Products

C96 Series

Dimensions: Pivot Brackets for Cylinder Mounting

Double clevis pivot bracket (DS)/for ES accessory

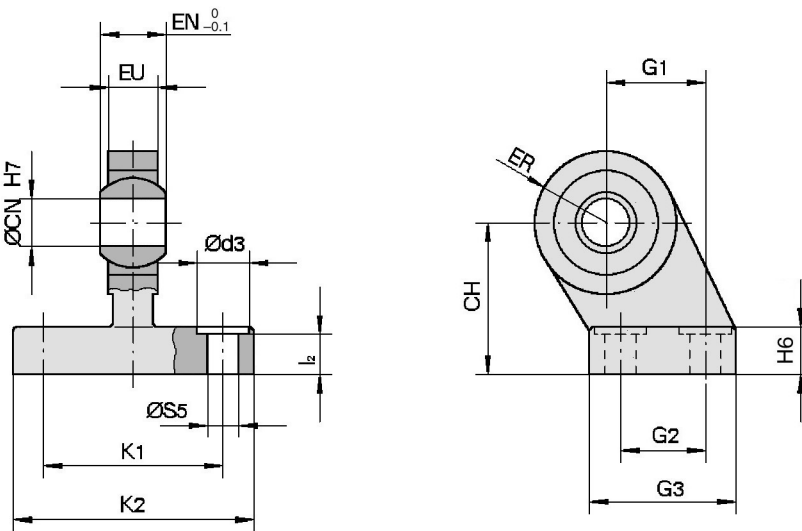


[mm]

Bore size [mm]	Part no.	E	B ₁	B ₂	B ₃	L ₁	TG ₁	T	l ₁ (Min.)	l ₂	FL	H (Max.)	ød ₁	ød ₂	ød ₃	øCN	SR (Max.)	R
32	DS5032	45	14	34	3.3	11.5	32.5	3	5	5.5	22	10	30	10.5	6.6	10	11	17
40	DS5040	55	16	40	4.3	12	38	4	5	5.5	25	10	35	11	6.6	12	13	20
50	DS5050	65	21	45	4.3	14	46.5	4	5	6.5	27	12	40	15	9	16	18	22
63	DS5063	75	21	51	4.3	14	56.5	4	5	6.5	32	12	45	15	9	16	18	25
80	DS5080	95	25	65	4.3	16	72	4	5	10	36	16	45	18	11	20	22	30
100	DS5100	115	25	75	6.3	16	89	4	5	10	41	16	55	18	11	20	22	32

* Supplied with 4 mounting screws, clevis pin, and clevis pin bracket.

Clevis pivot bracket with ball joint (ES)

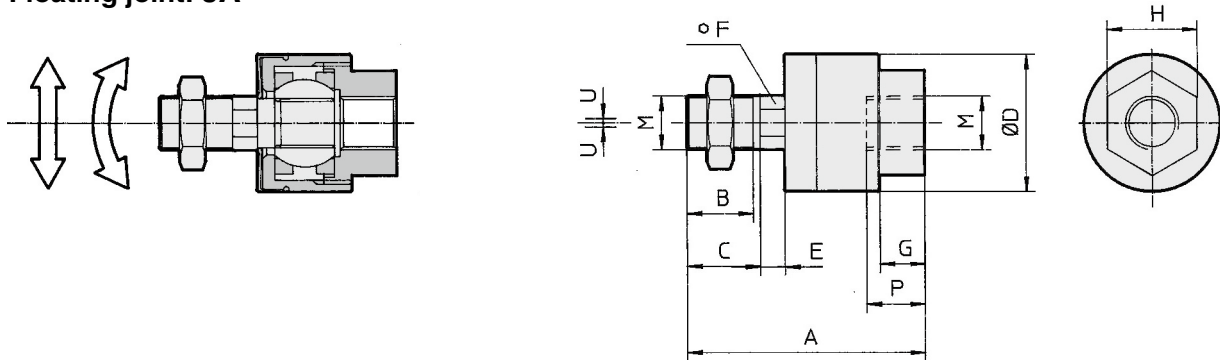


[mm]

Bore size [mm]	Part no.	ød ₃	øCN	øS ₅	K ₁	K ₂ (Max.)	l ₂	G ₁	G ₂	G ₃ (Max.)	EN	EU	CH	H ₆	ER (Max.)
32	ES5032	11	10	6.6	38	51	8.5	21	18	31	14	10.5	32	10	15
40	ES5040	11	12	6.6	41	54	8.5	24	22	35	16	12	36	10	18
50	ES5050	15	16	9	50	65	10.5	33	30	45	21	15	45	12	20
63	ES5063	15	16	9	52	67	10.5	37	35	50	21	15	50	12	23
80	ES5080	18	20	11	66	86	11.5	47	40	60	25	18	63	14	27
100	ES5100	18	20	11	76	96	12.5	55	50	70	25	18	71	15	30

Dimensions: Piston Rod Accessories

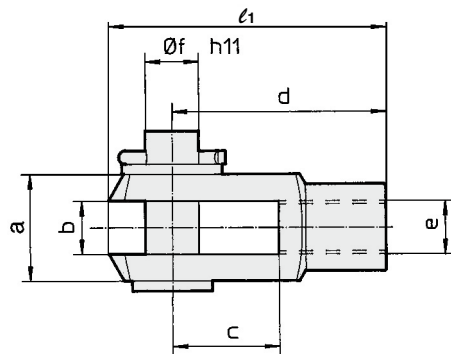
Floating joint: JA



Bore size [mm]	Part no.	M	A	B	C	∅D	E	F	G	H	P	U	Load [kN]	Weight [g]	Angle
32	JA30-10-125	M10 x 1.25	49.5	19.5	—	24	5	8	8	17	9	0.5	2.5	70	±0.5°
40	JA40-12-125	M12 x 1.25	60	20	—	31	6	11	11	22	13	0.75	4.4	160	
50, 63	JA50-16-150	M16 x 1.5	71.5	22	—	41	7.5	14	13.5	27	15	1	11	300	
80, 100	JAH50-20-150	M20 x 1.5	101	28	31	59.5	11.5	24	16	32	18	2	18	1080	

* Black color

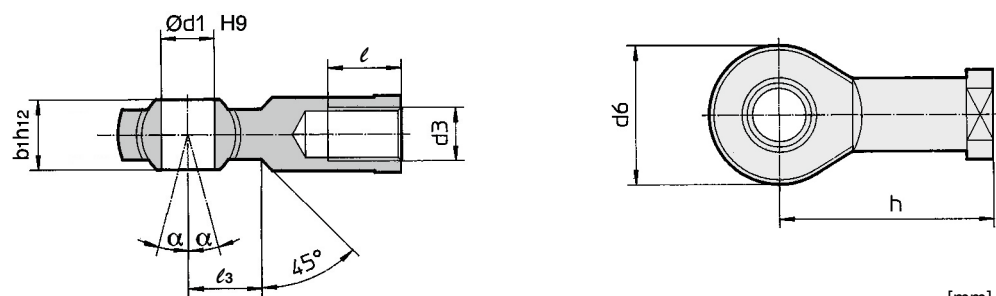
Rod clevis: GKM (ISO 8140)



Bore size [mm]	Part no.	e	b	d	∅f h11 (Shaft)	∅f H9 (Hole)	l ₁	c (Min.)	a (Max.)
32	GKM10-20	M10 x 1.25	10 ^{+0.5} / _{+0.15}	40	10	10	52	20	20
40	GKM12-24	M12 x 1.25	12 ^{+0.5} / _{+0.15}	48	12	12	62	24	24
50, 63	GKM16-32	M16 x 1.5	16 ^{+0.5} / _{+0.15}	64	16	16	83	32	32
80, 100	GKM20-40	M20 x 1.5	20 ^{+0.5} / _{+0.15}	80	20	20	105	40	40

* Supplied with clevis pin and clevis pin bracket.

Rod end: KJ (ISO 8139)



Bore size [mm]	Part no.	d ₃	∅d ₁ H9	h	d ₆ (Max.)	b ₁ h ₁₂	l (Min.)	α	l ₃
32	KJ10D	M10 x 1.25	10	43	28	14	20	4°	15
40	KJ12D	M12 x 1.25	12	50	32	16	22	4°	17
50, 63	KJ16D	M16 x 1.5	16	64	42	21	28	4°	23
80, 100	KJ20D	M20 x 1.5	20	77	50	25	33	4°	27

- C85
- C85W
- C85-ST
- C85K
- C85K-ST
- C85R
- C75
- C75W
- C75-ST
- C75K
- C75K-ST
- C75R
- CP96
- CP96K
- C96
- C96K
- C96Y
- C55
- Auto Switch
- Made to Order
- Related Products

ISO (15552) Standard

Air Cylinder: Non-rotating Rod Type Double Acting, Single/Double Rod

C96K Series

∅32, ∅40, ∅50, ∅63, ∅80, ∅100



How to Order



C96K

B 32 - 100 C W

With auto switch

C96KD B 32 - 100 C W - M9BW S

• With auto switch
(Built-in magnet)

• Mounting

B	Basic
L	Axial foot
F	Rod flange
G	Head flange
C	Single clevis
D	Double clevis
T	Center trunnion

* Mounting brackets are shipped together, but not assembled. (excluding center trunnion type)

• Bore size

32	32 mm
40	40 mm
50	50 mm
63	63 mm
80	80 mm
100	100 mm

• Rod

Nil	Single rod
W	Double rod

• Air cushion on both ends +
Bumper cushion

• Cylinder stroke [mm]

Refer to "Maximum Strokes" on page 174.

• Number of auto switches

Nil	2
S	1
3	3
n	n

• Auto switch

Nil	Without auto switch
------------	---------------------

* For applicable auto switches, refer to the table below.

Applicable Auto Switches/Refer to the Web Catalog or Best Pneumatics for further information on auto switches.

Type	Special function	Electrical entry	Indicator light	Wiring (Output)	Load voltage		Auto switch model		Lead wire length [m]				Pre-wired connector	Applicable load								
					DC	AC	Tie-rod mounting	Band mounting	0.5 (Nil)	1 (M)	3 (L)	5 (Z)		IC circuit	Relay, PLC							
Solid state auto switch	—	Grommet	—	3-wire (NPN)	5 V, 12 V	—	M9N	—	●	●	●	○	○	—	IC circuit							
				3-wire (PNP)			M9P	—	●	●	●	○	○									
				2-wire			M9B	—	●	●	●	○	○									
		Terminal conduit		3-wire (NPN)	5 V, 12 V	—	G39	—	—	—	—	—	—	—	—	—	IC circuit					
				2-wire			K39	—	—	—	—	—	—									
				3-wire (NPN)			5 V, 12 V	24 V	—	M9NW	—	●	●	●	○			○	○	—	IC circuit	
	3-wire (PNP)	M9PW	—	●	●	●				○	○											
	2-wire	M9BW	—	●	●	●				○	○											
	Water-resistant (2-color indicator)	Grommet	Yes	24 V	—	5 V, 12 V	—	M9NA *1	—	○	○	●	○	○	—	IC circuit						
								M9PA *1	—	○	○	●	○	○								
								M9BA *1	—	○	○	●	○	○								
	With diagnostic output (2-color indicator)	Grommet	—	—	—	5 V, 12 V	—	F59F	—	●	—	●	○	○	—	IC circuit						
P4DW								—	—	—	●	●	○	—								
Reed auto switch	—	Grommet	Yes	3-wire (NPN equivalent)	—	5 V	—	A96	—	●	—	●	—	—	—	IC circuit						
								Terminal conduit	24 V	12 V	—	A93	—	●			●	●	●	—	—	IC circuit
												A90	—	●			—	●	—	—		
												A54	—	●			—	●	●	—		
		DIN terminal						Yes	—	—	—	100 V, 200 V	—	A64	—	●	—	●	—	—	—	
														A33	—	—	—	—	—			—
		Diagnostic indication (2-color indicator)						Grommet	—	—	—	—	—	A34	—	—	—	—	—	—	—	
														A44	—	—	—	—	—			—
—	—	—	—	—	—	—	A59W	—	●	—	●	—	—	—								
							—	—	—	—	—	—			—							

*1 Water-resistant type auto switches can be mounted on the above models, but SMC cannot guarantee water resistance. Please contact SMC regarding water-resistant types with the above model numbers.

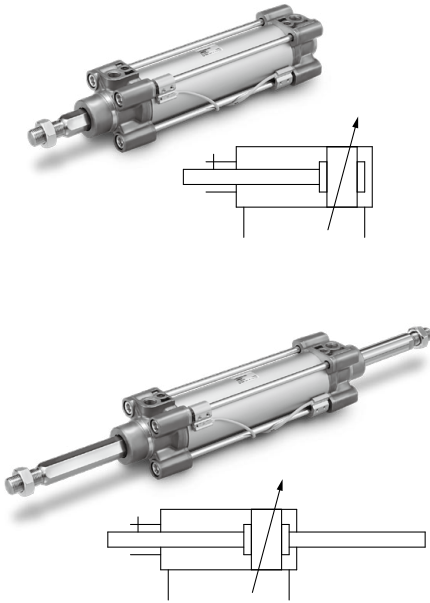
* Lead wire length symbols: 0.5 m Nil (Example) M9NW
1 m M (Example) M9NWM
3 m L (Example) M9NWL
5 m Z (Example) M9NWZ

* Solid state auto switches marked with "○" are produced upon receipt of order.

* Since there are other applicable auto switches than listed above, refer to page 185 for details.

* The D-A9□/M9□/M9□W/M9□A auto switches are shipped together, but not assembled. (Only the auto switch mounting brackets are assembled before shipment.)

Specifications



Bore size [mm]	32	40	50	63	80	100
Action	Double acting					
Fluid	Air					
Proof pressure	1.5 MPa					
Maximum operating pressure	1.0 MPa					
Minimum operating pressure	0.05 MPa					
Ambient and fluid temperature	Without auto switch: -20 to 70°C (No freezing) With auto switch: -10 to 60°C (No freezing)					
Lubrication	Not required (Non-lube)					
Operating piston speed	50 to 1000 mm/s					
Allowable stroke tolerance	Up to 500 stroke: ${}^{+2}_0$, 501 to 1000 stroke: ${}^{+2.4}_0$					
Cushion	Air cushion on both ends + Bumper cushion					
Port size	G 1/8	G 1/4	G 1/4	G 3/8	G 3/8	G 1/2
Mounting	Basic, Axial foot, Rod flange, Head flange, Single clevis, Double clevis, Center trunnion					
Non-rotating accuracy	±0.5°		±0.5°		±0.3°	
Allowable rotational torque [N·m]	0.25	0.45	0.64	0.79		

Maximum Strokes

Bore size [mm]	Maximum stroke*1
32	500
40	500
50	600
63	600
80	800
100	800

Intermediate strokes are available.

*1 Please consult with SMC for longer strokes.

Accessories

Mounting		Basic	Foot	Rod flange	Head flange	Single clevis	Double clevis	Center trunnion
Standard	Rod end nut	●	●	●	●	●	●	●
	Clevis pin	—	—	—	—	—	●	—
Option	Rod end	●	●	●	●	●	●	●
	Rod clevis	●	●	●	●	●	●	●
	Rod boot	—	—	—	—	—	—	—

* Do not use a rod end (or floating joint) together with a single clevis with a ball joint (or clevis pivot bracket with a ball joint).

* Refer to pages 169 to 172 for dimensions and part numbers of the accessories.

⚠ Precautions

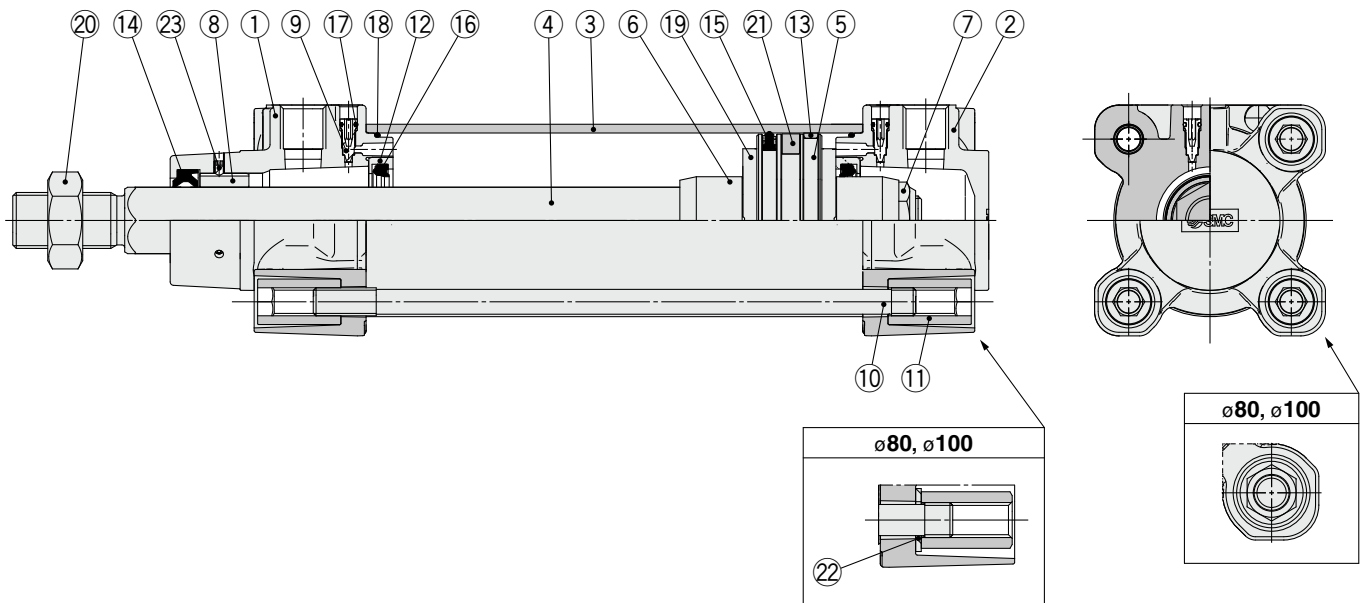
Be sure to read this before handling the products. Refer to page 219 for safety instructions. For actuator and auto switch precautions, refer to the "Handling Precautions for SMC Products" and the "Operation Manual" on the SMC website: <http://www.smcworld.com>

Refer to pages 181 to 185 for cylinders with auto switches.

- Auto Switch Proper Mounting Position (Detection at stroke end) and Mounting Height
- Minimum Stroke for Auto Switch Mounting
- Auto Switch Mounting Brackets/Part No.
- Operating Range

C96K Series

Construction



Component Parts

No.	Description	Material	Q'ty	Note
1	Rod cover	Aluminum die-cast	1	Trivalent chromated
2	Head cover	Aluminum die-cast	1	Trivalent chromated
3	Cylinder tube	Aluminum alloy	1	Hard anodized
4	Piston rod	Stainless steel	1	
5	Piston	Aluminum alloy	1	
6	Cushion ring	Rolled steel	2	Trivalent zinc chromated
7	Piston nut	Rolled steel	1	Trivalent zinc chromated
8	Non-rotating guide	Bearing alloy	1	
9	Cushion valve	Resin	2	
10	Tie-rod	Carbon steel	4	Trivalent zinc chromated
11	Tie-rod nut	Rolled steel	8	Trivalent zinc chromated
12	Cushion seal holder	Aluminum alloy	2	Anodized
13	Wear ring	Resin	1	
14	Rod seal	NBR	1	
15	Piston seal	NBR	1	
16	Cushion seal	Urethane	2	
17	Cushion valve seal	NBR	2	
18	Cylinder tube gasket	NBR	2	
19	Bumper	Urethane	2	
20	Rod end nut	Rolled steel	1	Trivalent zinc chromated
21	Magnet	—	(1)	
22	Flat washer	Steel	8	For $\phi 80$, $\phi 100$
23	Hexagon socket head set screw	Steel wire	2	Trivalent black zinc chromated

Replacement Parts/Seal Kit (Single rod)

Bore size [mm]	Kit no.	Contents
32	CK95-32	Kits include items 13 to 16, 18.
40	CK95-40	
50	CK95-50	
63	CK95-63	
80	CK95-80	
100	CK96-100	

* Seal kits consist of items 13 to 16, 18 and can be ordered by using the seal kit number corresponding to each bore size.

* The seal kit includes a grease pack (10 g for $\phi 32$ to $\phi 50$, 20 g for $\phi 63$ and $\phi 80$, 30 g for $\phi 100$).
Order with the following part number when only the grease pack is needed.

Grease pack part number: GR-S-010 (10 g), GR-S-020 (20 g)

Seal Kit (Double rod)

Bore size [mm]	Kit no.	Contents
32	CK95W-32	Kits include items 14 to 16, 18.
40	CK95W-40	
50	CK95W-50	
63	CK95W-63	
80	CK95W-80	
100	CK96W-100	

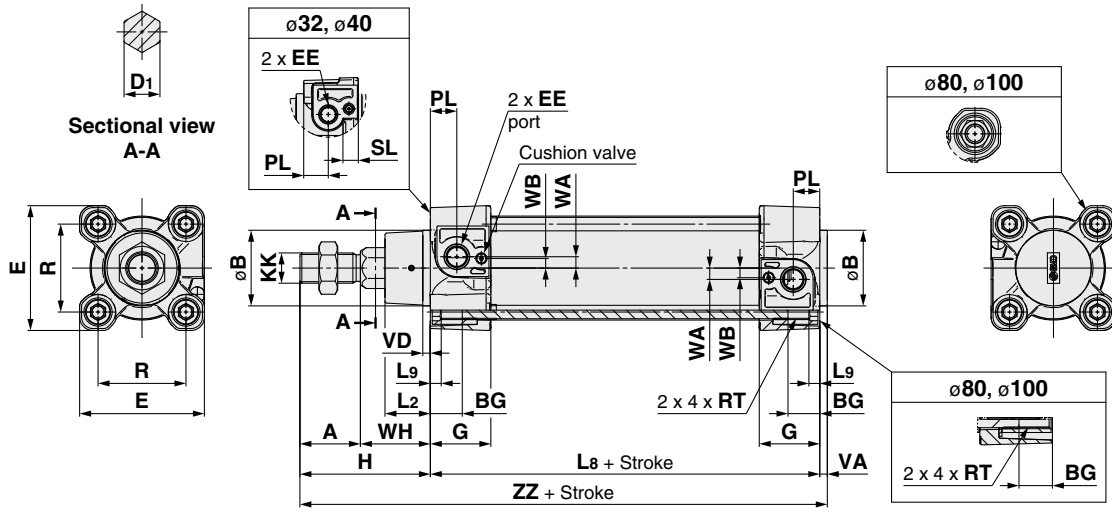
* Seal kits consist of items 14 to 16, 18 and can be ordered by using the seal kit number corresponding to each bore size.

* The seal kit includes a grease pack (10 g for $\phi 32$ to $\phi 50$, 20 g for $\phi 63$ and $\phi 80$, 30 g for $\phi 100$).
Order with the following part number when only the grease pack is needed.

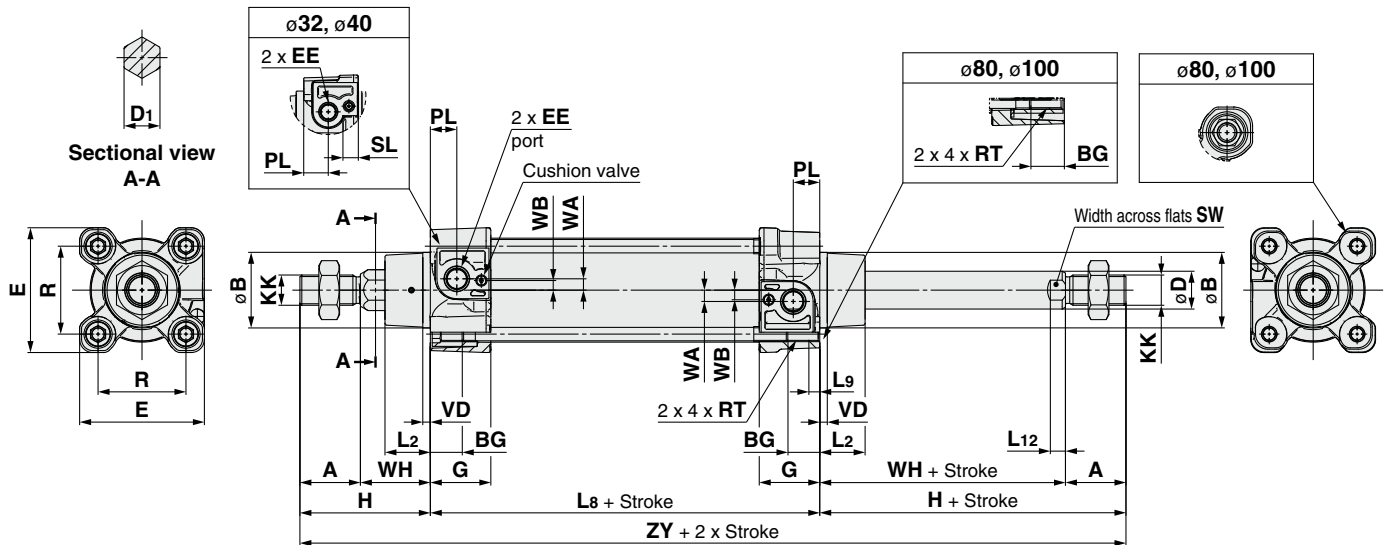
Grease pack part number: GR-S-010 (10 g), GR-S-020 (20 g)

Dimensions (Without mounting bracket)

C96K (D) B Bore size – Stroke **C**



C96K (D) B Bore size – Stroke **CW**



* Mounting brackets are the same as standard type. Refer to page 168 for details.

Bore size [mm]	Stroke range [mm]	A	øB d11	D1	øD	EE	PL	RT	L12	KK	SW	G	BG	L8	VD	VA	WA	WB	WH	ZZ	ZY	E	R	L2	L9	H	SL
32	Up to 500	22	30	12.2	12	G 1/8	13	M6 x 1	6	M10 x 1.25	10	28.9	16	94	4	4	4	7	26	146	190	47	32.5	15	4	48	8
40	Up to 500	24	35	14.2	16	G 1/4	14	M6 x 1	6.5	M12 x 1.25	13	32.6	16	105	4	4	5	8.9	30	163	213	54	38	17	4	54	8
50	Up to 600	32	40	19	20	G 1/4	14	M8 x 1.25	8	M16 x 1.5	17	32	16	106	4	4	6	5.1	37	179	244	66	46.5	24	5	69	—
63	Up to 600	32	45	19	20	G 3/8	16	M8 x 1.25	8	M16 x 1.5	17	38.6	16	121	4	4	9	6.3	37	194	259	77	56.5	24	5	69	—
80	Up to 800	40	45	23	25	G 3/8	16	M10 x 1.5	10	M20 x 1.5	22	38.4	17	128	4	4	11.5	6	46	218	300	99	72	30	—	86	—
100	Up to 800*1	40	55	23	25	G 1/2	18	M10 x 1.5	10	M20 x 1.5	22	42.9	17	138	4	4	17	10	51	233	320	118	89	32	—	91	—

*1 Minimum stroke for trunnion mounting: 1 mm for bore size 32 to 80, 5 mm for bore size 100

- C85
- C85W
- C85-ST
- C85K
- C85K-ST
- C85R
- C75
- C75W
- C75-ST
- C75K
- C75K-ST
- C75R
- CP96
- CP96K
- C96
- C96K
- C96Y
- C55
- Auto Switch
- Made to Order
- Related Products

ISO (15552) Standard

Smooth Cylinder Double Acting, Single Rod

C96Y Series

ø32, ø40, ø50, ø63, ø80, ø100



The C96Y series, Smooth Cylinder, ø125 is the same as the previous model. For details, refer to the **Web Catalog**.

How to Order

C96Y **B** **32** - **100** **C** - **□**

With auto switch **C96YD** **B** **32** - **100** **C** - **M9BW** **S** - **□**

Mounting

B	Basic
L	Axial foot
F	Rod flange
G	Head flange
C	Single clevis
D	Double clevis
T	Center trunnion

* Mounting brackets are shipped together, but not assembled. (excluding center trunnion type)

Bore size

32	32 mm
40	40 mm
50	50 mm
63	63 mm
80	80 mm
100	100 mm

Cylinder stroke [mm]
Refer to "Maximum Strokes" on page 178.

Auto switch

Nil	Without auto switch
------------	---------------------

* For applicable auto switches, refer to the table below.

Number of auto switches

Nil	2
S	1
3	3
n	n

Made to Order
Refer to page 178 for details.

Bumper cushion

Applicable Auto Switches/Refer to the **Web Catalog** or Best Pneumatics for further information on auto switches.

Type	Special function	Electrical entry	Indicator light	Wiring (Output)	Load voltage		Auto switch model		Lead wire length [m]					Pre-wired connector	Applicable load								
					DC	AC	Tie-rod mounting	Band mounting	0.5 (Nil)	1 (M)	3 (L)	5 (Z)	IC circuit		Relay, PLC								
Solid state auto switch	—	Grommet	No	3-wire (NPN)	5 V, 12 V	—	—	M9N	●	●	●	○	○	—	—	—							
				3-wire (PNP)				○	○	○	○	—											
				2-wire	12 V			—	—	—	—		—										
		Terminal conduit		3-wire (NPN)	5 V, 12 V			—	G39	—	—	—					—	—	—	—	—	—	—
				2-wire	12 V			—	K39	—	—	—	—				—	—	—	—	—	—	—
				3-wire (NPN)	5 V, 12 V			—	M9NW	—	●	●	●				○	○	○	○	—	—	—
	Diagnostic indication (2-color indicator)	Grommet	Yes	3-wire (PNP)	5 V, 12 V	24 V	—	—	M9PW	—	●	●	●	○	○	—	—	—					
				2-wire	12 V				M9BW	—	●	●	●	○	○	○	○	—	—	—			
				3-wire (NPN)	5 V, 12 V				M9NA *1	—	○	○	●	○	○	○	○	—	—	—	—		
		Terminal conduit		3-wire (PNP)	5 V, 12 V				M9PA *1	—	○	○	●	○	○	○	○	—	—	—	—		
				2-wire	12 V				M9BA *1	—	○	○	●	○	○	○	○	—	—	—	—		
				4-wire (NPN)	5 V, 12 V				F59F	—	●	—	●	○	○	○	○	—	—	—	—		
Water-resistant (2-color indicator)	Grommet	No	2-wire (Non-polar)	—	24 V	12 V	—	P4DW	—	—	—	●	●	○	—	—	—						
			Terminal conduit	Yes				3-wire (NPN equivalent)	—	5 V	—	A96	—	●	—	●	—	—	—	—	—		
								DIN terminal	Yes	2-wire	24 V	12 V	100 V	A93	—	●	●	●	●	—	—	—	—
	100 V or less												A90	—	●	—	●	—	—	—	—	—	—
	100 V, 200 V		A54					—	●				—	●	●	—	—	—	—	—	—	—	—
	200 V or less		A64					—	●				—	●	—	—	—	—	—	—	—	—	—
Grommet	No	—	—		A33	—	—	—	—				—	—	—	—	—	—	—				
		100 V, 200 V	A34	—	—	—	—	—	—				—	—	—	—	—	—	—				
Magnetic field resistant (2-color indicator)	Grommet	Yes	2-wire (Non-polar)	—	—	—	—	A44	—	—	—	—	—	—	—	—	—						
								A59W	—	●	—	●	—	—	—	—	—	—	—	—			

*1 Water-resistant type auto switches can be mounted on the above models, but SMC cannot guarantee water resistance. Please contact SMC regarding water-resistant types with the above model numbers.

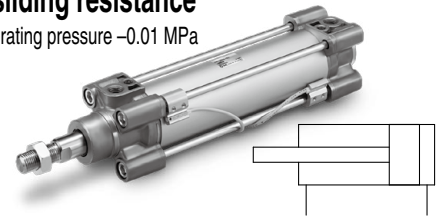
* Lead wire length symbols: 0.5 m Nil (Example) M9NW
1 m M (Example) M9NWM
3 m L (Example) M9NWL
5 m Z (Example) M9NWZ

* Solid state auto switches marked with "○" are produced upon receipt of order.

* Since there are other applicable auto switches than listed above, refer to page 185 for details.
* The D-A9□/M9□/M9□W/M9□A auto switches are shipped together, but not assembled. (Only the auto switch mounting brackets are assembled before shipment.)

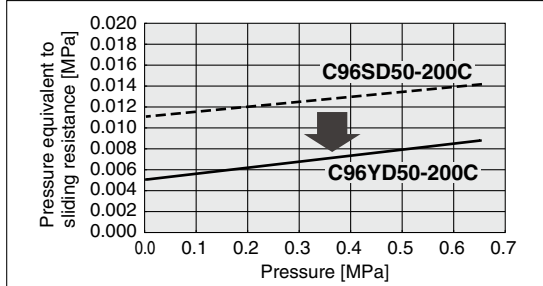
Designed with a low sliding resistance of the piston, this air cylinder is ideal for applications such as contact pressure control, which requires smooth movements at low pressure.

Low sliding resistance
Min. operating pressure -0.01 MPa

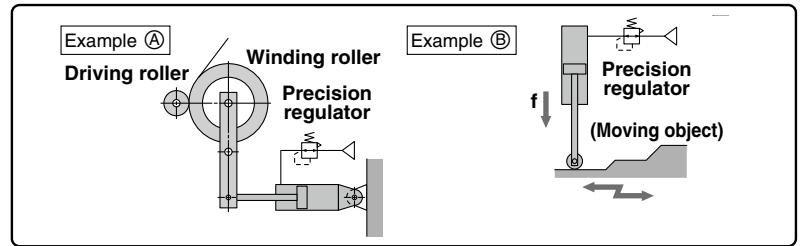


Sliding resistance Bi-directional low-friction operation possible.

Pressure can be controlled regardless of its direction.



Application Example
Smooth cylinder combined with precision regulator (e.g. IR Series)



Made to Order
(For details, refer to pages 190 to 199.)

Symbol	Specifications
-XA□	Change of rod end shape
-XC14	Change of trunnion bracket mounting position
-XC7	Tie-rod, tie-rod nut, etc. made of stainless steel
-XC10	Dual stroke cylinder/Double rod type
-XC65	Made of stainless steel (Combination of -XC7 and -XC68)
-XC68	Made of stainless steel (with hard chrome plated piston rod)

Refer to pages 181 to 185 for cylinders with auto switches.

- Auto Switch Proper Mounting Position (Detection at stroke end) and Mounting Height
- Minimum Stroke for Auto Switch Mounting
- Auto Switch Mounting Brackets/Part No.
- Operating Range

Dimensions are the same as standard type. For details, refer to pages 165 to 167.

Replacement Parts/Seal Kit

Bore size [mm]	Kit no.	Contents
32	C96Y32-PS	Rod seal 1 pc. Piston seal 1 pc. Cylinder tube gasket 2 pcs. Grease pack (10 g) 1 pc.
40	C96Y40-PS	
50	C96Y50-PS	
63	C96Y63-PS	
80	C96Y80-PS	
100	C96Y100-PS	

* Seal kits consist of items shown above, and can be ordered by using the seal kit number corresponding to each bore size.

* Only use the grease recommended by SMC. Order using the following part numbers when only maintenance grease is needed.

Volume	Part no.
5 g	GR-L-005
10 g	GR-L-010
150 g	GR-L-150

Specifications

Bore size [mm]	32	40	50	63	80	100
Action	Double acting					
Fluid	Air					
Proof pressure	1.05 MPa					
Maximum operating pressure	0.7 MPa					
Minimum operating pressure	0.02 MPa		0.01 MPa			
Ambient and fluid temperature	Without auto switch: -10 to 70°C (No freezing) With auto switch: -10 to 60°C (No freezing)					
Lubrication	Not required (Non-lube)					
Operating piston speed	5 to 500 mm/s					
Allowable stroke tolerance	Up to 500 stroke: $^{+2}_0$, 501 to 1000 stroke: $^{+2.4}_0$					
Cushion	Bumper					
Port size	G 1/8	G 1/4	G 1/4	G 3/8	G 3/8	G 1/2
Mounting	Basic, Axial foot, Rod flange, Head flange, Single clevis, Double clevis, Center trunnion					
Allowable leakage rate	0.5 L/min (ANR)					

Maximum Strokes

Bore size [mm]	Maximum stroke*1
32	800
40	800
50	1000
63	1000
80	1000
100	1000

Intermediate strokes are available.

*1 Please consult with SMC for longer strokes.

Accessories

Mounting		Basic	Foot	Rod flange	Head flange	Single clevis	Double clevis	Center trunnion
		Standard	Rod end nut ●	●	●	●	●	●
Option	Clevis pin	—	—	—	—	—	●	—
	Rod end	●	●	●	●	●	●	●
	Rod clevis	●	●	●	●	●	●	●
	Rod boot	—	—	—	—	—	—	—

* Do not use a rod end (or floating joint) together with a single clevis with a ball joint (or clevis pivot bracket with a ball joint).

* Refer to pages 169 to 172 for dimensions and part numbers of the accessories.

C85
C85W
C85-ST
C85K
C85K-ST
C85R
C75
C75W
C75-ST
C75K
C75K-ST
C75R
CP96
CP96K
C96
C96K
C96Y
C55
Auto Switch
Made to Order
Related Products



Smooth Cylinders Specific Product Precautions 1

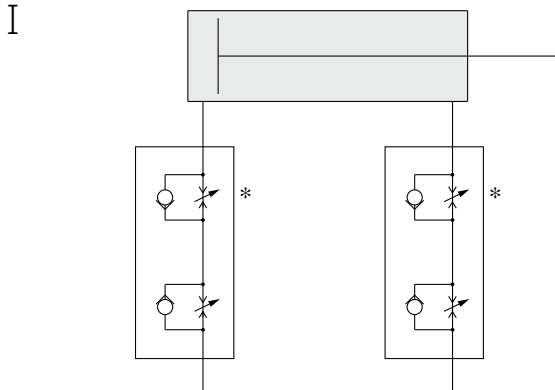
Be sure to read this before handling the products. Refer to page 219 for safety instructions. For actuator and auto switch precautions, refer to the "Handling Precautions for SMC Products" and the "Operation Manual" on the SMC website: <http://www.smcworld.com>

Recommended Pneumatic Circuit

Refer to the diagrams below when controlling speed with the smooth cylinder.

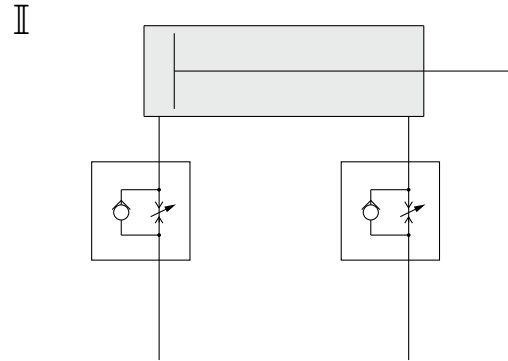
Warning

Horizontal Operation (Speed control)



Dual speed controller

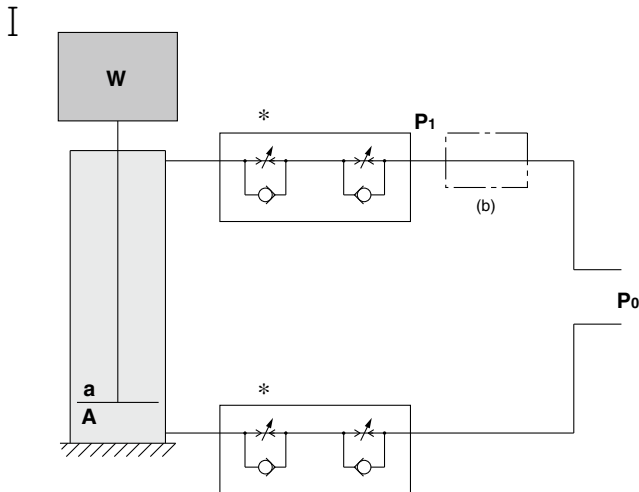
Speed is controlled by meter-out circuit. Using concurrently the meter-in circuit can alleviate the stick-slip.* More stable low speed operation can be achieved than meter-in circuit alone.



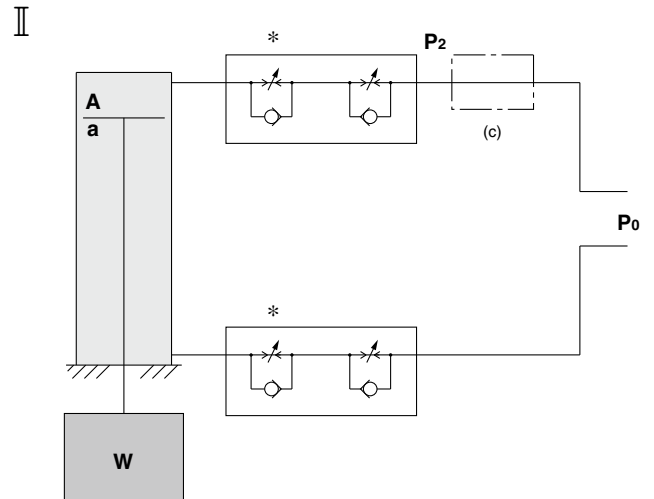
Meter-in speed controller

Meter-in speed controllers can reduce lurching while controlling the speed. The two adjustment needles facilitate adjustment.

Vertical Operation (Speed control)



- (1) Speed is controlled by meter-out circuit. Using concurrently the meter-in circuit can alleviate the stick-slip.*
- (2) Depending on the size of the load, installing a regulator with check valve at position (b) can reduce lurching during descent and operation delay during ascent.
As a guide,
when $W + P_0a > P_0A$,
adjust P_1 to make $W + P_1a = P_0A$.



- (1) Speed is controlled by meter-out circuit. Using concurrently the meter-in circuit can alleviate the stick-slip.*
- (2) Installing a regulator with check valve at position (c) can reduce lurching during descent and operation delay during ascent.
As a guide,
adjust P_2 to make $W + P_2A = P_0a$.

W: Load [N] P₀: Operating pressure [MPa] P₁, P₂: Reduced pressure [MPa] a: Rod side piston area [mm²] A: Head side piston area [mm²]



Smooth Cylinders Specific Product Precautions 2

Be sure to read this before handling the products. Refer to page 219 for safety instructions. For actuator and auto switch precautions, refer to the “Handling Precautions for SMC Products” and the “Operation Manual” on the SMC website: <http://www.smcworld.com>

Lubrication

Caution

1. Operate without lubrication from a pneumatic system lubricator.

A malfunction may occur when lubricated in this fashion.

2. Only use the grease recommended by SMC.

The use of grease other than the specified type can cause a malfunction.

- Order using the following part numbers when only maintenance grease is needed.

Grease

Volume	Part no.
5 g	GR-L-005
10 g	GR-L-010
150 g	GR-L-150

3. Do not wipe out the grease in the sliding part of the air cylinder.

Wiping grease from the sliding part of the air cylinder forcefully may cause malfunction.

Air Supply

Caution

1. Take measures to prevent pressure fluctuation.

A malfunction may occur with the fluctuation of pressure.

C85

C85W

C85-ST

C85K

C85K-ST

C85R

C75

C75W

C75-ST

C75K

C75K-ST

C75R

CP96

CP96K

C96

C96K

C96Y

C55

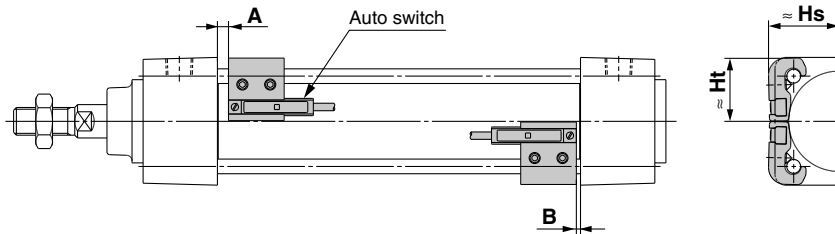
Auto Switch

Made to Order

Related Products

C96 Series Auto Switch Mounting

Auto Switch Proper Mounting Position (Detection at stroke end) and Mounting Height



Auto Switch Proper Mounting Position

[mm]

Auto switch model	D-M9□ D-M9□V D-M9□A		D-A9□ D-A9□V		D-Y59 D-Y69 D-Y7P D-Y7H D-Y7□W D-Y7BA D-Z7□ D-Z80		D-P4DW		D-G39 D-K39 D-A3□ D-A44 D-A5□ D-A6□		D-F5□ D-J59 D-F59F		D-J51		D-A59W		D-F5NT		
	A	B	A	B	A	B	A	B	A	B	A	B	A	B	A	B	A	B	
Bore size																			
32	14	10.5	10	6.5	7.5	4	7	3.5	4	0	10.5	7	10	6.5	8	4.5	15.5	12	
40	14	14	10	10	7.5	7.5	7	7	4	4	10.5	10.5	10	10	8	8	15.5	15.5	
50	15.5	14.5	11.5	10.5	9	8	8.5	7.5	5.5	4.5	12	11	11.5	10.5	9.5	8.5	17	16	
63	16.5	15.5	12.5	11.5	10	9	9.5	8.5	6.5	5.5	13	12	12.5	11.5	10.5	9.5	18	17	
80	21.5	18	17.5	14	15	11.5	14.5	11	11.5	8	18	14.5	17.5	14	15.5	12	23	19.5	
100	21.5	19	17.5	15	15	12.5	14.5	12	11.5	9	18	15.5	17.5	15	15.5	13	23	20.5	

* Adjust the auto switch after confirming the operating conditions in the actual setting.

Auto Switch Mounting Height

[mm]

Auto switch model	D-M9□ D-M9□W D-M9□A D-A9□		D-A9□V		D-M9□V D-M9□WV D-M9□AV		D-A5□ D-A6□ D-A59W		D-F5□ D-J59 D-F59F D-F5□W D-J59W D-F5BA D-F5NT		D-G39 D-K39 D-A3□		D-A44		D-Y59□ D-Y7P D-Y7□W D-Y7BA D-Z7□ D-Z80		D-Y69□ D-Y7PV D-Y7□WV		D-P4DW		
	Hs	Ht	Hs	Ht	Hs	Ht	Hs	Ht	Hs	Ht	Hs	Ht	Hs	Ht	Hs	Ht	Hs	Ht	Hs	Ht	
Bore size																					
32	24.5	23	27.5	23	30.5	23	35	24.5	32.5	25	67	27.5	77	27.5	25.5	23	26.5	23	38	31	
40	28.5	25.5	31.5	25.5	34	25.5	38.5	27.5	36.5	27.5	71.5	27.5	81.5	27.5	29.5	26	30	26	42	33	
50	33.5	31	36	31	38.5	31	43.5	34.5	41	34	77	—	87	—	33.5	31	34.5	31	46.5	39	
63	38.5	36	40.5	36	43	36	48.5	39.5	46	39	83.5	—	93.5	—	39	36	40	36	51.5	44	
80	46.5	45	49	45	52	45	55	46.5	52.5	46.5	92.5	—	103	—	47.5	45	48.5	45	58	51.5	
100	54	53.5	57	53.5	59.5	53.5	62	55	59.5	55	103	—	113.5	—	55.5	53.5	56.5	53.5	65.5	60.5	

Minimum Stroke for Auto Switch Mounting

Auto switch model	Number of auto switches	Support bracket other than center trunnion [mm]				
		ø32	ø40	ø50	ø63	ø80, ø100
D-M9□ D-M9□W	1 2 (Different surfaces, Same surface)	10				
	n	$10 + 40(n - 2) / 2$ n = 2, 4, 6, 8...				
D-M9□V D-M9□WV	1 2 (Different surfaces, Same surface)	10				
	n	$10 + 30(n - 2) / 2$ n = 2, 4, 6, 8...				
D-M9□A	1 2 (Different surfaces, Same surface)	15	10			
	n	$15 + 40(n - 2) / 2$ n = 2, 4, 6, 8...	$10 + 40(n - 2) / 2$ n = 2, 4, 6, 8...			
D-M9□AV	1 2 (Different surfaces, Same surface)	10				
	n	$10 + 30(n - 2) / 2$ n = 2, 4, 6, 8...				
D-A9□	1 2 (Different surfaces, Same surface)	10				
	n	$10 + 40(n - 2) / 2$ n = 2, 4, 6, 8...				
D-A9□V	1 2 (Different surfaces, Same surface)	10				
	n	$10 + 30(n - 2) / 2$ n = 2, 4, 6, 8...				
D-G39 D-K39 D-A3□	2 (Different surfaces)	35				
	2 (Same surface)	100				
	n (Different surfaces)	$35 + 30(n - 2)$ n = 2, 3, 4...				
	n (Same surface)	$100 + 100(n - 2)$ n = 2, 3, 4...				
	1	10				
D-A44	2 (Different surfaces)	35				
	2 (Same surface)	50				
	n (Different surfaces)	$35 + 30(n - 2)$ n = 2, 3, 4...				
	n (Same surface)	$50 + 50(n - 2)$ n = 2, 3, 4...				
	1	10				
D-A5□ D-A6□	1 2 (Different surfaces, Same surface)	15				10
	n (Same surface)	$15 + 55(n - 2) / 2$ n = 2, 4, 6, 8...				$10 + 55(n - 2) / 2$ n = 2, 4, 6, 8...
	1	15				25
D-A59W	2 (Different surfaces, Same surface)	20			15	
	n (Same surface)	$20 + 55(n - 2) / 2$ n = 2, 4, 6, 8...			$15 + 55(n - 2) / 2$ n = 2, 4, 6, 8...	
	1	15			25	
D-F5□ D-J59 D-F5□W D-J59W D-F5BA D-F59F	2 (Different surfaces, Same surface)	15				
	n (Same surface)	$15 + 55(n - 2) / 2$ n = 2, 4, 6, 8...				
	1	10				
	1	10				
D-F5NT	2 (Different surfaces, Same surface)	15				20
	n (Same surface)	$15 + 55(n - 2) / 2$ n = 2, 4, 6, 8...				$20 + 55(n - 2) / 2$ n = 2, 4, 6, 8...
	1	10				20
D-Y59□ D-Y7P D-Y7H D-Y7□W D-Z7□ D-Z80	1 2 (Different surfaces, Same surface)	15	10			
	n	$15 + 40(n - 2) / 2$ n = 2, 4, 6, 8...	$10 + 40(n - 2) / 2$ n = 2, 4, 6, 8...			
	1	15				
D-Y69□ D-Y7PV D-Y7□WV	1 2 (Different surfaces, Same surface)	10				
	n	$10 + 30(n - 2) / 2$ n = 2, 4, 6, 8...				
D-Y7BA	1 2 (Different surfaces, Same surface)	20				
	n	$20 + 45(n - 2) / 2$ n = 2, 4, 6, 8...				
D-P4DW	1 2 (Different surfaces, Same surface)	15				
	n	$15 + 65(n - 2) / 2$ n = 2, 4, 6, 8...				

* n = 3, 4, 5...

- C85
- C85W
- C85-ST
- C85K
- C85K-ST
- C85R
- C75
- C75W
- C75-ST
- C75K
- C75K-ST
- C75R
- CP96
- CP96K
- C96
- C96K
- C96Y
- C55
- Auto Switch
- Made to Order
- Related Products

C96 Series

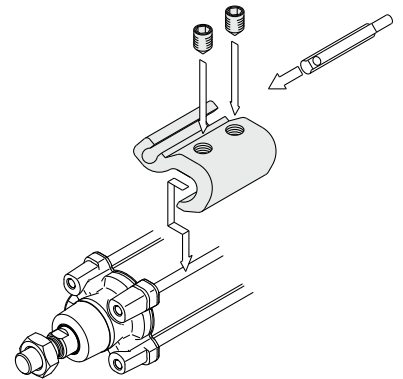
Minimum Stroke for Auto Switch Mounting

Auto switch model	Number of auto switches	Center trunnion				
		ø32	ø40	ø50	ø63	ø80
D-M9□ D-M9□W	1 2 (Different surfaces, Same surface)	75		85	90	95
	n	$75 + 40(n-4)/2$ n = 4, 8, 12, 16...		$85 + 40(n-4)/2$ n = 4, 8, 12, 16...	$90 + 40(n-4)/2$ n = 4, 8, 12, 16...	$95 + 40(n-4)/2$ n = 4, 8, 12, 16...
D-M9□V D-M9□WV	1 2 (Different surfaces, Same surface)	50	55	60	65	70
	n	$50 + 30(n-4)/2$ n = 4, 8, 12, 16...	$55 + 30(n-4)/2$ n = 4, 8, 12, 16...	$60 + 30(n-4)/2$ n = 4, 8, 12, 16...	$65 + 30(n-4)/2$ n = 4, 8, 12, 16...	$70 + 30(n-4)/2$ n = 4, 8, 12, 16...
D-M9□A	1 2 (Different surfaces, Same surface)	80		85	95	100
	n	$80 + 40(n-2)/2$ n = 4, 8, 12, 16...		$85 + 40(n-2)/2$ n = 4, 8, 12, 16...	$95 + 40(n-2)/2$ n = 4, 8, 12, 16...	$100 + 40(n-2)/2$ n = 4, 8, 12, 16...
D-M9□AV	1 2 (Different surfaces, Same surface)	55		65	70	75
	n	$55 + 30(n-2)/2$ n = 4, 8, 12, 16...		$65 + 30(n-2)/2$ n = 4, 8, 12, 16...	$70 + 30(n-2)/2$ n = 4, 8, 12, 16...	$75 + 30(n-2)/2$ n = 4, 8, 12, 16...
D-A9□	1 2 (Different surfaces, Same surface)	70	75	80	85	95
	n	$70 + 40(n-4)/2$ n = 4, 8, 12, 16...	$75 + 40(n-4)/2$ n = 4, 8, 12, 16...	$80 + 40(n-4)/2$ n = 4, 8, 12, 16...	$85 + 40(n-4)/2$ n = 4, 8, 12, 16...	$95 + 40(n-4)/2$ n = 4, 8, 12, 16...
D-A9□V	1 2 (Different surfaces, Same surface)	45	50	55	60	70
	n	$45 + 30(n-4)/2$ n = 4, 8, 12, 16...	$50 + 30(n-4)/2$ n = 4, 8, 12, 16...	$55 + 30(n-4)/2$ n = 4, 8, 12, 16...	$60 + 30(n-4)/2$ n = 4, 8, 12, 16...	$70 + 30(n-4)/2$ n = 4, 8, 12, 16...
D-G39 D-K39 D-A3□	2 (Different surfaces)	60	65	75	80	85
	2 (Same surface)	90	95	100	105	110
	n (Different surfaces)	$60 + 30(n-2)$ n = 2, 4, 6, 8...	$65 + 30(n-2)$ n = 2, 4, 6, 8...	$75 + 30(n-2)$ n = 2, 4, 6, 8...	$80 + 30(n-2)$ n = 2, 4, 6, 8...	$85 + 30(n-2)$ n = 2, 4, 6, 8...
	n (Same surface)	$90 + 100(n-2)$ n = 2, 4, 6, 8...	$95 + 100(n-2)$ n = 2, 4, 6, 8...	$100 + 100(n-2)$ n = 2, 4, 6, 8...	$105 + 100(n-2)$ n = 2, 4, 6, 8...	$110 + 100(n-2)$ n = 2, 4, 6, 8...
	1	60	65	75	80	85
D-A44	2 (Different surfaces)	70		75	80	85
	2 (Same surface)	70		75	80	85
	n (Different surfaces)	$70 + 30(n-2)$ n = 2, 4, 6, 8...		$75 + 30(n-2)$ n = 2, 4, 6, 8...	$80 + 30(n-2)$ n = 2, 4, 6, 8...	$85 + 30(n-2)$ n = 2, 4, 6, 8...
	n (Same surface)	$70 + 50(n-2)$ n = 2, 4, 6, 8...		$75 + 50(n-2)$ n = 2, 4, 6, 8...	$80 + 50(n-2)$ n = 2, 4, 6, 8...	$85 + 50(n-2)$ n = 2, 4, 6, 8...
	1	70		75	80	85
D-A5□ D-A6□	1 2 (Different surfaces, Same surface)	60		80	95	110
	n (Same surface)	$60 + 55(n-4)/2$ n = 4, 8, 12, 16...		$80 + 55(n-4)/2$ n = 4, 8, 12, 16...	$95 + 55(n-4)/2$ n = 4, 8, 12, 16...	$110 + 55(n-4)/2$ n = 4, 8, 12, 16...
D-A59W	2 (Different surfaces, Same surface)	60	70	85	105	115
	n (Same surface)	$60 + 55(n-4)/2$ n = 4, 8, 12, 16...	$70 + 55(n-4)/2$ n = 4, 8, 12, 16...	$85 + 55(n-4)/2$ n = 4, 8, 12, 16...	$105 + 55(n-4)/2$ n = 4, 8, 12, 16...	$115 + 55(n-4)/2$ n = 4, 8, 12, 16...
	1	60	70	85	105	115
D-F5□ D-J59 D-F5□W D-J59W D-F5BA D-F59F	2 (Different surfaces, Same surface)	90	95	100	110	115
	n (Same surface)	$90 + 55(n-4)/2$ n = 4, 8, 12, 16...	$95 + 55(n-4)/2$ n = 4, 8, 12, 16...	$100 + 55(n-4)/2$ n = 4, 8, 12, 16...	$110 + 55(n-4)/2$ n = 4, 8, 12, 16...	$115 + 55(n-4)/2$ n = 4, 8, 12, 16...
	1	90	95	100	110	115
D-F5NT	2 (Different surfaces, Same surface)	100	105	110	120	125
	n (Same surface)	$100 + 55(n-4)/2$ n = 4, 8, 12, 16...	$105 + 55(n-4)/2$ n = 4, 8, 12, 16...	$110 + 55(n-4)/2$ n = 4, 8, 12, 16...	$120 + 55(n-4)/2$ n = 4, 8, 12, 16...	$125 + 55(n-4)/2$ n = 4, 8, 12, 16...
	1	100	105	110	120	125
D-Y59□ D-Y7P D-Y7H D-Y7□W D-Z7□ D-Z80	1 2 (Different surfaces, Same surface)	75	80	85	95	100
	n (Same surface)	$75 + 40(n-4)/2$ n = 4, 8, 12, 16...	$80 + 40(n-4)/2$ n = 4, 8, 12, 16...	$85 + 40(n-4)/2$ n = 4, 8, 12, 16...	$95 + 40(n-4)/2$ n = 4, 8, 12, 16...	$100 + 40(n-4)/2$ n = 4, 8, 12, 16...
D-Y69□ D-Y7PV D-Y7□WV	1 2 (Different surfaces, Same surface)	55		60	70	75
	n (Same surface)	$55 + 30(n-4)/2$ n = 4, 8, 12, 16...		$60 + 30(n-4)/2$ n = 4, 8, 12, 16...	$70 + 30(n-4)/2$ n = 4, 8, 12, 16...	$75 + 30(n-4)/2$ n = 4, 8, 12, 16...
D-Y7BA	1 2 (Different surfaces, Same surface)	85	90	100	105	110
	n (Same surface)	$85 + 45(n-4)/2$ n = 4, 8, 12, 16...	$90 + 45(n-4)/2$ n = 4, 8, 12, 16...	$100 + 45(n-4)/2$ n = 4, 8, 12, 16...	$105 + 45(n-4)/2$ n = 4, 8, 12, 16...	$110 + 45(n-4)/2$ n = 4, 8, 12, 16...
D-P4DW	1 2 (Different surfaces, Same surface)	110		115	125	130
	n (Same surface)	$110 + 65(n-4)/2$ n = 4, 8, 12, 16...		$115 + 65(n-4)/2$ n = 4, 8, 12, 16...	$125 + 65(n-4)/2$ n = 4, 8, 12, 16...	$130 + 65(n-4)/2$ n = 4, 8, 12, 16...

* n = 3, 4, 5...

Auto Switch Mounting Brackets/Part No.

Auto switch model	Bore size [mm]					
	ø32	ø40	ø50	ø63	ø80	ø100
D-M9□/M9□V D-M9□W/M9□WV D-M9□A/M9□AV D-A9□/A9□V	BMB5-032	BMB5-032	BA7-040	BA7-040	BA7-063	BA7-063
D-G39/K39 D-A3□/A44	BMB2-032	BMB2-040	BMB1-050	BMB1-063	BMB1-080	BMB1-100
D-F5□/J59 D-F5□W/J59W D-F59F D-F5BA D-F5NT D-A5□/A6□ D-A59W	BT-03	BT-03	BT-05	BT-05	BT-06	BT-06
D-P4DW	BMB3T-040	BMB3T-040	BMB3T-050	BMB3T-050	BMB3T-080	BMB3T-080
D-Y59□/Y69□ D-Y7P/Y7PV D-Y7□W D-Y7□WV D-Y7BA D-Z7□/Z80	BMB4-032	BMB4-032	BMB4-050	BMB4-050	BA4-063	BA4-063



• Mounting example for D-A9□(V), M9□(V), M9□W(V), M9□A(V)

[Stainless Steel Mounting Screw]

The following stainless steel mounting screw kit (including set screws) is available. Use it in accordance with the operating environment. (Since the auto switch mounting bracket is not included, order it separately.)

BBA1: For D-A5/A6/F5/J5

* For details on BBA1, refer to the **Web Catalog** or Best Pneumatics.

The D-F5BA auto switch is set on the cylinder with the stainless steel screws above when shipped from factory.

When only an auto switch is shipped independently, the BBA1 is attached.

* When using the D-M9□A(V) or Y7BA, please do not use the iron set screws included with the auto switch mounting bracket (BMB5-032, BA7-□□□, BMB4-□□□, BA4-□□□) shown above, instead order the set of stainless steel set screws (BBA1), and please use the stainless steel set screws (M4 x 6 L) included in BBA1.

Operating Range

Auto switch model	[mm]					
	32	40	50	63	80	100
D-M9□/M9□V D-M9□W/M9□WV D-M9□A/M9□AV	4	4.5	5	6	6	6
D-A9□/A9□V	7	7.5	8.5	9.5	9.5	10.5
D-Y59□/Y69□ D-Y7P/Y7□V D-Y7□W/Y7□WV D-Y7BA	5.5	5.5	7	7.5	6.5	5.5
D-Z7□/Z80	7.5	8.5	7.5	9.5	9.5	10.5
D-F5□/J59 D-F5□W/J59W D-F5BA/F5NT D-F59F	3.5	4	4	4.5	4.5	4.5
D-A5□/A6□	9	9	10	11	11	11
D-A59W	13	13	13	14	14	15
D-G39/K39	9	9	9	10	10	11
D-A3□/A44	9	9	10	11	11	11
D-P4DW	4	4	4	4.5	4	4.5

* Values which include hysteresis are for guideline purposes only, they are not a guarantee (assuming approximately ±30% dispersion) and may change substantially depending on the ambient environment.

- C85
- C85W
- C85-ST
- C85K
- C85K-ST
- C85R
- C75
- C75W
- C75-ST
- C75K
- C75K-ST
- C75R
- CP96
- CP96K
- C96
- C96K
- C96Y
- C55
- Auto Switch
- Made to Order
- Related Products

C96 Series

Other than the applicable auto switches listed in “How to Order”, the following auto switches are mountable.

Refer to the **Web Catalog** or Best Pneumatics for the detailed specifications.

Type	Part no.	Electrical entry	Features
Solid state	D-M9NV, M9PV, M9BV	Grommet (Perpendicular)	—
	D-Y69A, Y69B, Y7PV		—
	D-M9NWV, M9PWV, M9BWW		Diagnostic indication (2-color indicator)
	D-Y7NWV, Y7PWV, Y7BWW	Grommet (In-line)	Water-resistant (2-color indicator)
	D-M9NAV, M9PAV, M9BAV		—
	D-Y59A, Y59B, Y7P		—
	D-F59, F5P, J59		Diagnostic indication (2-color indicator)
	D-Y7NW, Y7PW, Y7BW		Water-resistant (2-color indicator)
	D-F59W, F5PW, J59W		With timer
	D-F5BA, Y7BA		—
	D-F5NT		Magnetic field resistant (2-color indicator)
	D-P5DW		—
	Reed		D-A93V, A96V
D-A90V		Grommet (In-line)	Without indicator light
D-A67, Z80			—
D-A53, A56, Z73, Z76			—

* Normally closed (NC = b contact) solid state auto switches (D-F9G/F9H/Y7G/Y7H) are also available.

For details, refer to the **Web Catalog** or Best Pneumatics.

* With pre-wired connector is also available for solid state auto switches. For details, refer to the **Web Catalog** or Best Pneumatics.

C96 Series

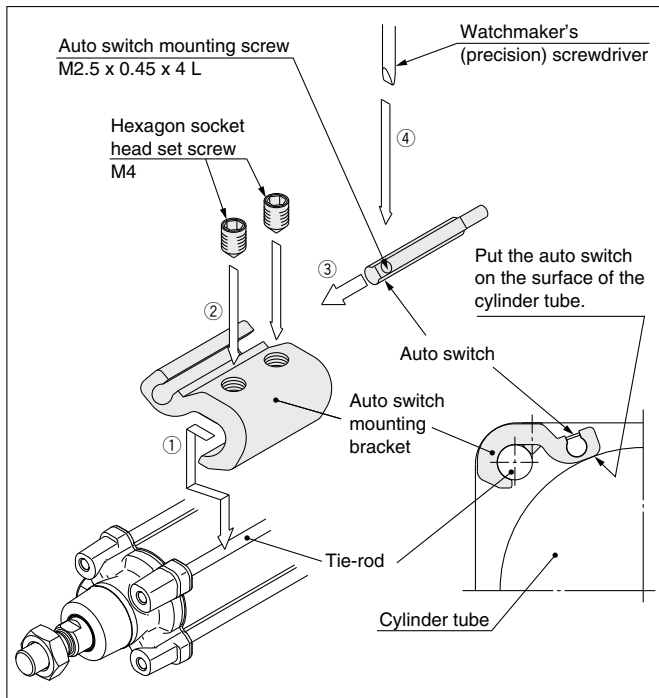
How to Mount and Move the Auto Switch

Mounting Bracket Tie-rod Mounting Type

<Applicable Auto Switch>

Solid state switch ... D-M9N(V), D-M9P(V), D-M9B(V)
 D-M9NW(V), D-M9PW(V), D-M9BW(V)
 D-M9NA(V), D-M9PA(V), D-M9BA(V)
 Reed switch D-A90(V), A93(V), A96(V)

How to Mount and Move the Auto Switch



1. Fix it to the detecting position with a set screw by installing an auto switch mounting bracket in cylinder tie-rod and letting the bottom surface of an auto switch mounting bracket contact the cylinder tube firmly.
2. Fix it to the detecting position with a set screw (M4). (Use a hexagon wrench.)
3. Fit an auto switch into the auto switch mounting groove to set it roughly to the mounting position for an auto switch.
4. After confirming the detecting position, tighten up the mounting screw (M2.5 x 0.45 x 4 L) attached to an auto switch, and secure the auto switch.
5. When changing the detecting position, carry out in the state of 3.

- * To protect auto switches, ensure that main body of an auto switch should be embedded into auto switch mounting groove with a depth of 15 mm or more.
- * Set the tightening torque of a hexagon socket head set screw (M4) to be 1.0 to 1.2 N·m.
- * When tightening an auto switch mounting screw (M2.5), use a watchmaker's screwdriver with a grip diameter of 5 to 6 mm. Also, set the tightening torque to be 0.05 to 0.15 N·m. As a guide, turn 90° from the position where it comes to feel tight.

Auto Switch Mounting Bracket Part No. (Including Bracket, Set Screw)

Applicable bore size [mm]					
32	40	50	63	80	100
BMB5-032	BMB5-032	BA7-040	BA7-040	BA7-063	BA7-063

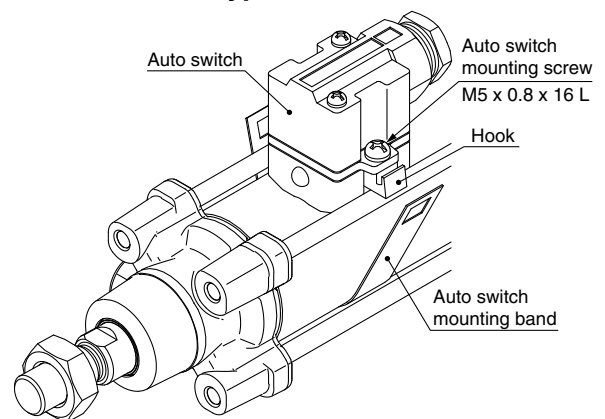
- * When using the D-M9□A(V), please order stainless steel screw set BBA1 separately (page 184), and use the stainless steel set screws, after selecting set screws of the appropriate length for the cylinder series—as shown in the table above.
- * Color or gloss differences in the metal surfaces have no effect on metal performance. The special properties of the chromate (trivalent) applied to the main body of the auto switch mounting bracket for BA7-□ and BMB5-□ result in differences in coloration depending on the production lot, but these have no adverse impact on corrosion resistance.

<Applicable Auto Switch>

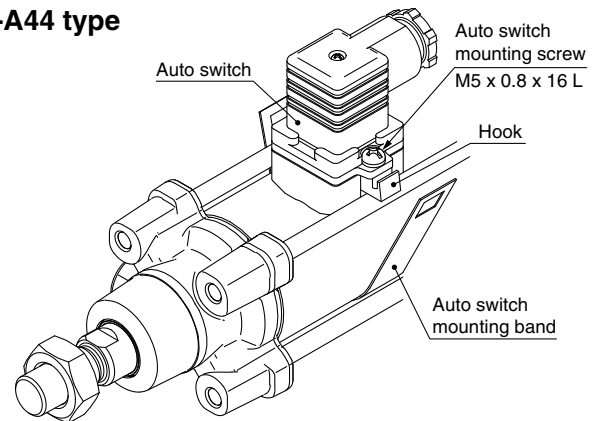
Solid state switch ... D-G39, D-K39
 Reed switch D-A33, D-A34, D-A44

How to Mount and Move the Auto Switch

D-A3□, D-G3/K3 type



D-A44 type



1. Loosen the auto switch mounting screws at both sides to pull down the hook.
2. Put an auto switch mounting band on the cylinder tube and set it at the auto switch mounting position, and then hook the band.
3. Screw lightly the auto switch mounting screw (M5 x 0.8 x 16 L).
4. Set the whole body to the detecting position by sliding, tighten the mounting screw (M5 x 0.8 x 16 L) to secure the auto switch. (The tightening torque should be about 2 to 3 N·m.)
5. When changing the detecting position, carry out in the state of 3.

Auto Switch Mounting Bracket Part No. (Band)

Applicable bore size [mm]					
32	40	50	63	80	100
BMB2-032	BMB2-040	BMB1-050	BMB1-063	BMB1-080	BMB1-100

C85

C85W

C85-ST

C85K

C85K-ST

C85R

C75

C75W

C75-ST

C75K

C75K-ST

C75R

CP96

CP96K

C96

C96K

C96Y

C55

Auto Switch

Made to Order

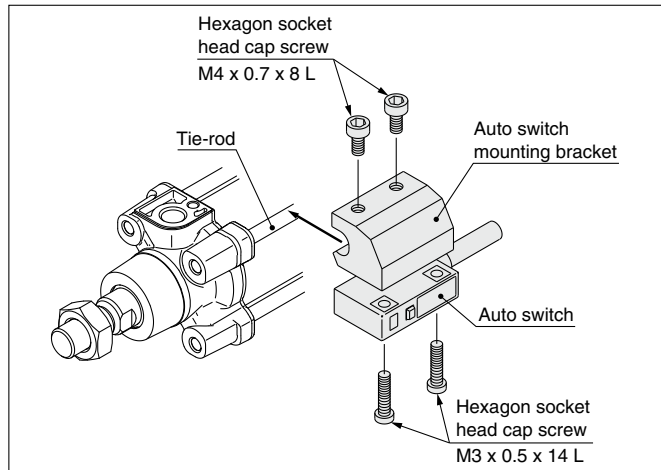
Related Products

Mounting Bracket Tie-rod Mounting Type

<Applicable Auto Switch>

Solid state switch ... D-P4DW

How to Mount and Move the Auto Switch



1. Slightly screw the hexagon socket head cap screw (M4 x 0.7 x 8 L) into the M4 tapped portion of auto switch mounting bracket. (2 locations) Use caution that the tip of the hexagon socket head cap screw should not stick out to the concave portion of auto switch mounting bracket.
2. Put a hexagon socket head cap screw (M3 x 0.5 x 14 L) through the auto switch's through-hole (2 locations), and then push it down into the M3 tapped part on the auto switch mounting bracket while turning it lightly.
3. Place the concave part of the auto switch mounting bracket into the cylinder tie-rod, and slide the auto switch mounting bracket in order to set roughly to the detecting position.
4. After reconfirming the detecting position, tighten the M3 mounting screw to secure the auto switch by making the bottom face of auto switch attached to the cylinder tube. (Tightening torque of M3 screw should be 0.5 to 0.7 N·m.)
5. Tighten up M4 screw of auto switch mounting bracket to secure the auto switch mounting bracket. (Ensure that tightening torque of M4 screw should be set 1.0 to 1.2 N·m.)

Auto Switch Mounting Bracket Part No. (Including Bracket, Screw)

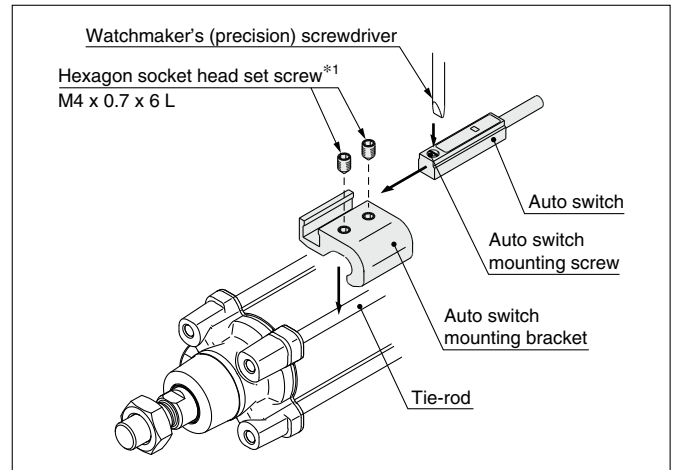
Applicable bore size [mm]					
32	40	50	63	80	100
BMB3T-040	BMB3T-040	BMB3T-050	BMB3T-050	BMB3T-080	BMB3T-080

<Applicable Auto Switch>

Solid state switch ... D-Y59^A_B, Y69^A_B, D-Y7P(V)
D-Y7NW(V), Y7PW(V), Y7BW(V)
D-Y7BA

Reed switch D-Z73, Z76, Z80

How to Mount and Move the Auto Switch



- * When tightening an auto switch mounting screw, use a watchmaker's screwdriver with a handle diameter of 5 to 6 mm. Also, set the tightening torque to be 0.05 to 0.1 N·m. As a guide, turn 90° from the position where it comes to feel tight. Set the tightening torque of a hexagon socket head set screw (M4 x 0.7 x 6 L) to be 1.0 to 1.2 N·m.
1. Fix it to the detecting position with a set screw by installing an auto switch mounting bracket in cylinder tie-rod and letting the bottom surface of an auto switch mounting bracket contact the cylinder tube firmly. (Use a hexagon wrench.)
 2. Fit an auto switch into the auto switch mounting groove to set it roughly to the mounting position for an auto switch.
 3. After confirming the detecting position, tighten up the mounting screw attached to an auto switch, and secure the auto switch.
 4. When changing the detecting position, carry out in the state of 2.
- * To protect auto switches, ensure that main body of an auto switch should be embedded into auto switch mounting groove with a depth of 15 mm or more.

Auto Switch Mounting Bracket Part No. (Including Bracket, Set Screw)

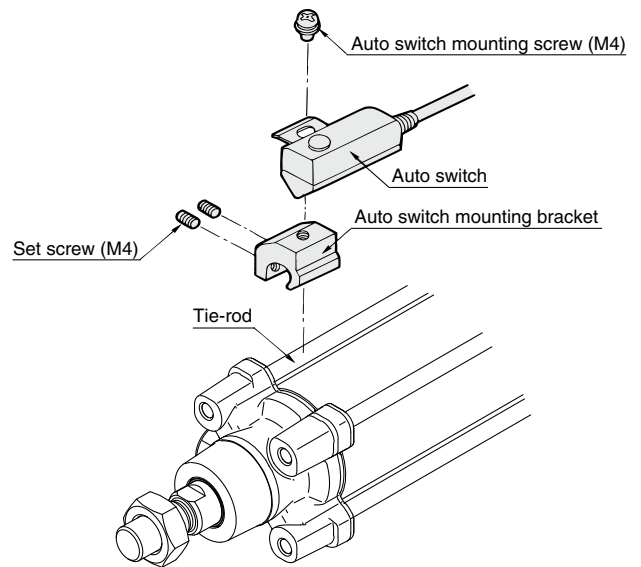
Applicable bore size [mm]					
32	40	50	63	80	100
BMB4-032	BMB4-032	BMB4-050	BMB4-050	BA4-063	BA4-063

*1 When using the D-Y7BA, please order stainless steel screw set BBA1 separately (page 184), and use the stainless steel set screws, after selecting set screws of the appropriate length for the cylinder series — as shown in the table above.

Mounting Bracket Tie-rod Mounting Type
<Applicable Auto Switch>

- Solid state switch ...** D-F59, D-F5P
 D-J59, D-F5BA
 D-F59W, D-F5PW, D-J59W
 D-F59F, D-F5NT
- Reed switch** D-A53, D-A54, D-A56, D-A64, D-A67
 D-A59W

1. Fix the auto switch on the auto switch mounting bracket with the auto switch mounting screw (M4) and install the set screw (M4).
2. Fit the auto switch mounting bracket into the cylinder tie-rod and then fix the auto switch at the detecting position with a set screw (M4).
 (Be sure to put the auto switch on the surface of cylinder tube.) (Use a hexagon wrench.)
3. When changing the detecting position, loosen the set screw to move the auto switch and then re-fix the auto switch on the cylinder tube.
 (Tightening torque of M4 screw should be 1.0 to 1.2 N·m.)


Auto Switch Mounting Bracket Part No. (Including Bracket, Screw, Set Screw)

Applicable bore size [mm]					
32	40	50	63	80	100
BT-03	BT-03	BT-05	BT-05	BT-06	BT-06

The following stainless steel mounting screw kit (including set screws) is available. Use it in accordance with the operating environment. (Since the auto switch mounting bracket is not included, order it separately.)

BBA1: For D-A5/A6/F5/J5

The D-F5BA auto switch is set on the cylinder with the stainless steel screws above when shipped from factory.
 When only an auto switch is shipped independently, the BBA1 is attached.

Stainless Steel Mounting Screw Set

Part no.	Contents				Applicable auto switch mounting bracket part no.	Applicable auto switch
	No.	Description	Size	Q'ty		
BBA1	1	Auto switch mounting screw	M4 x 0.7 x 8 L	1	BT-□□	D-A5, A6 D-F5, J5
	2	Set screw	M4 x 0.7 x 6 L	2	BA4-040, BA4-063, BA4-080	D-Z7, Z8
					BMB4-032, BMB4-050	D-Y5, Y6, Y7
					BMB5-032	D-A9
	3	Set screw	M4 x 0.7 x 8 L	2	BA7-040, BA7-063, BA7-080	D-M9
					BT-16, BT-18A, BT-20	D-A5, A6 D-F5, J5
BS4-125, BS4-160					D-Z7, Z8	
					BS4-180, BS4-200	D-Y5, Y6, Y7
					BS5-125, BS5-160	D-A9
					BS5-180, BS5-200	D-M9

* Use the set screw after selecting the appropriate length for the auto switch mounting bracket.
 (Example) When using the BA7-040, select the 6 L type. 8 L type is not required.

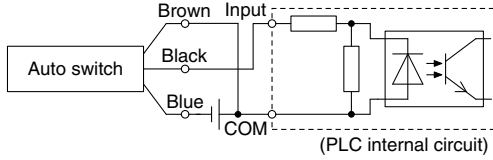
- C85
- C85W
- C85-ST
- C85K
- C85K-ST
- C85R
- C75
- C75W
- C75-ST
- C75K
- C75K-ST
- C75R
- CP96
- CP96K
- CP96K
- C96
- C96K
- C96Y
- C55
- Auto Switch
- Made to Order
- Related Products

Prior to Use

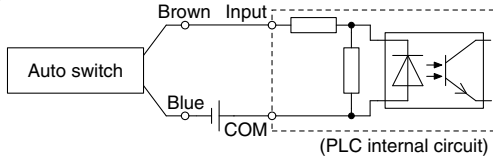
Auto Switch Connections and Examples

Sink Input Specifications

3-wire, NPN

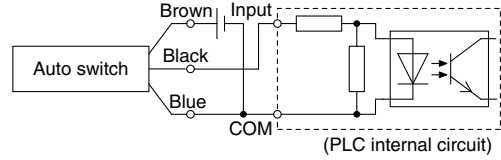


2-wire

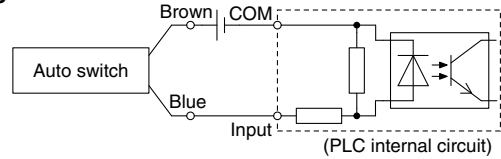


Source Input Specifications

3-wire, PNP



2-wire

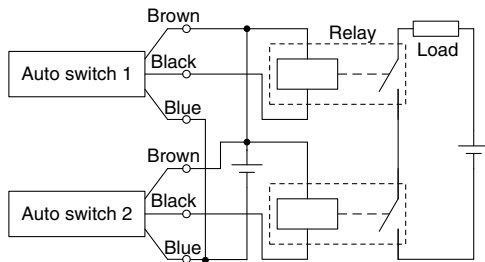


Connect according to the applicable PLC input specifications, as the connection method will vary depending on the PLC input specifications.

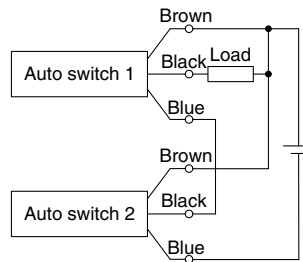
Examples of AND (Series) and OR (Parallel) Connections

* When using solid state auto switches, ensure the application is set up so the signals for the first 50 ms are invalid.

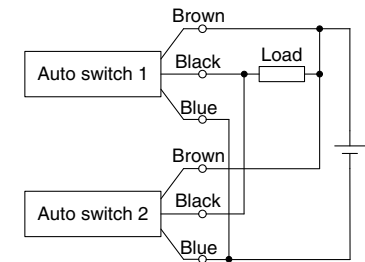
3-wire AND connection for NPN output (Using relays)



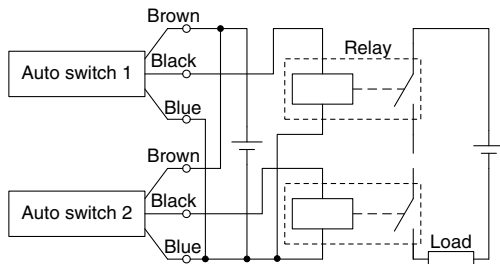
(Performed with auto switches only)



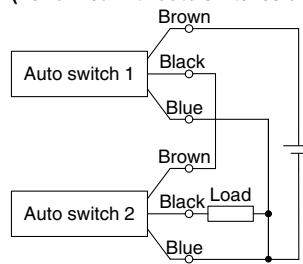
3-wire OR connection for NPN output



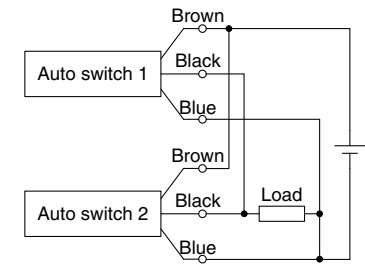
3-wire AND connection for PNP output (Using relays)



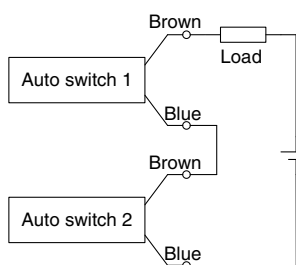
(Performed with auto switches only)



3-wire OR connection for PNP output



2-wire AND connection

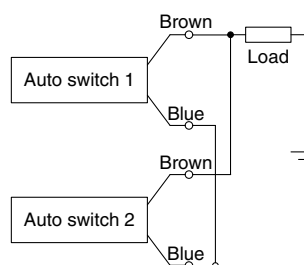


When two auto switches are connected in series, a load may malfunction because the load voltage will decline when in the ON state. The indicator lights will light up when both of the auto switches are in the ON state. Auto switches with a load voltage less than 20 V cannot be used.

$$\begin{aligned} \text{Load voltage at ON} &= \text{Power supply voltage} - \text{Residual voltage} \times 2 \text{ pcs.} \\ &= 24 \text{ V} - 4 \text{ V} \times 2 \text{ pcs.} \\ &= 16 \text{ V} \end{aligned}$$

Example: Power supply is 24 VDC
Internal voltage drop in auto switch is 4 V.

2-wire OR connection



(Solid state)
When two auto switches are connected in parallel, malfunction may occur because the load voltage will increase when in the OFF state.

(Reed)
Because there is no current leakage, the load voltage will not increase when turned OFF. However, depending on the number of auto switches in the ON state, the indicator lights may sometimes grow dim or not light up, due to the dispersion and reduction of the current flowing to the auto switches.

$$\begin{aligned} \text{Load voltage at OFF} &= \text{Leakage current} \times 2 \text{ pcs.} \times \text{Load impedance} \\ &= 1 \text{ mA} \times 2 \text{ pcs.} \times 3 \text{ k}\Omega \\ &= 6 \text{ V} \end{aligned}$$

Example: Load impedance is 3 k Ω .
Leakage current from auto switch is 1 mA.

C96 Series

Simple Specials/Made to Order



Please contact SMC for detailed specifications, delivery, and prices.

Simple Specials

The following special specifications can be ordered as a simplified Made-to-Order. Please contact your local sales representative for more details.

Symbol	Specifications	C96 (Standard type)			C96Y (Smooth cylinder)	Page
		Double acting			Single rod	
		Single rod	Double rod	Single rod		
-XA0 to 30	Change of rod end shape	●	●	●	191	
-XC14	Change of trunnion bracket mounting position	●	●	●	192	

Made to Order

Symbol	Specifications	C96 (Standard type)			C96Y (Smooth cylinder)	Page
		Double acting			Single rod	
		Single rod	Double rod	Single rod		
-XB6	Heat-resistant cylinder (-10 to 150°C)*1	●	●		193	
-XB7	Cold-resistant cylinder (-40 to 70°C)*1	●	●		193	
-XC4	With heavy duty scraper	●	●		194	
-XC7	Tie-rod, tie-rod nut, etc. made of stainless steel	●	●	●	194	
-XC10	Dual stroke cylinder/Double rod type	●		●	195	
-XC11	Dual stroke cylinder/Single rod type	●			196	
-XC22	Fluororubber seal	●	●		197	
-XC35	With coil scraper	●	●		197	
-XC65	Made of stainless steel (Combination of -XC7 and -XC68)	●	●	●	198	
-XC68	Made of stainless steel (with hard chrome plated piston rod)	●	●	●	198	
-XC88	Spatter-resistant coil scraper, Lube-retainer, grease for welding (Piston rod: Stainless steel 304)	●	●		199	
-XC89	Spatter-resistant coil scraper, Lube-retainer, grease for welding (Piston rod: S45C)	●	●		199	

*1 The products with an auto switch are not compatible.

- C85
- C85W
- C85-ST
- C85K
- C85K-ST
- C85R
- C75
- C75W
- C75-ST
- C75K
- C75K-ST
- C75R
- CP96
- CP96K
- C96
- C96K
- C96Y
- C55
- Auto Switch
- Made to Order
- Related Products

C96 Series Simple Specials

The following changes are dealt with through the Simple Specials System.

For details, refer to the Simple Specials
in the Web Catalog.
<http://www.smcworld.com>

1 Change of Rod End Shape

Symbol

-XA0 to -XA30

Applicable Series

Description	Model	Action	Symbol for change of rod end shape
Standard type	C96S	Double acting, Single rod	XA0 to 30
	C96S-W	Double acting, Double rod	XA0 to 30
Smooth type	C96Y	Double acting, Single rod	XA0 to 30

⚠ Precautions

- SMC will make appropriate arrangements if no dimension, tolerance, or finish instructions are given in the diagram.
- Standard dimensions marked with "*" will be as follows to the rod diameter (D). Enter any special dimension you require.
 $D \leq 6 \rightarrow D - 1 \text{ mm}$, $6 < D \leq 25 \rightarrow D - 2 \text{ mm}$, $D > 25 \rightarrow D - 4 \text{ mm}$
- In the case of the double rod type and single acting retraction type, enter the dimensions when the rod is retracted.
- Only one side of a double rod can be manufactured.
- "A0" is the same shape as the standard type. (The specifications of A0 are that only dimensions A and H are changed from the standard type.)

Symbol: A0 	Symbol: A1 	Symbol: A2 	Symbol: A3 	Symbol: A4
Symbol: A5 	Symbol: A6 	Symbol: A7 	Symbol: A8 	Symbol: A9
Symbol: A10 	Symbol: A11 	Symbol: A12 	Symbol: A13 	Symbol: A14
Symbol: A15 	Symbol: A16 	Symbol: A17 	Symbol: A18 	Symbol: A19
Symbol: A20 	Symbol: A21 	Symbol: A22 	Symbol: A23 	Symbol: A24
Symbol: A25 	Symbol: A26 	Symbol: A27 	Symbol: A28 	Symbol: A29
Symbol: A30 				

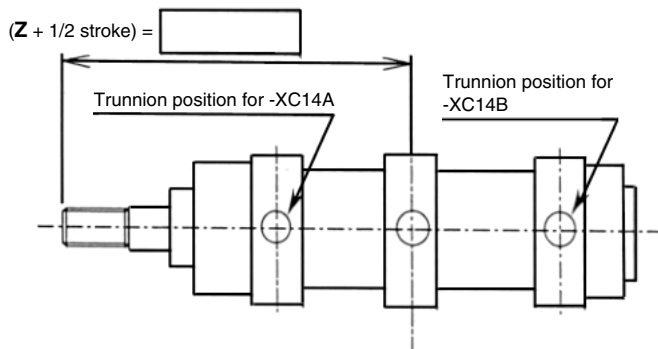
2 Change of Trunnion Bracket Mounting Position

-XC14

The position for mounting the trunnion pivot bracket on the cylinder can be moved from the standard mounting position to any required position.

Applicable Series

Description	Model	Action
Standard type	C96S	Double acting, Single rod
	C96S-W	Double acting, Double rod
Smooth type	C96Y	Double acting, Single rod



⚠ Precautions

1. Specify "Z + 1/2 stroke" in the case the trunnion bracket position is not -XC14A, B or trunnion is not a center trunnion.
2. SMC will make appropriate arrangements if no dimension, tolerance, or finish instructions are given in the diagram.
3. The possible range of trunnion bracket mounting position is indicated in the table below.
4. Some trunnion mounting positions do not allow auto switch mounting. Please consult with SMC for more information.

C96 Series

Bore size	Symbol	Z + 1/2 stroke					Minimum stroke
		For -XC14A	For -XC14B	For -XC14		Reference: Standard (Center trunnion)	
				Minimum	Maximum		
32		85.4	104.6 + Stroke	85.9	104.1 + Stroke	95 + 0.5 stroke	0
40		97.6	115.4 + Stroke	98.1	114.9 + Stroke	106.5 + 0.5 stroke	
50		112	132 + Stroke	112.5	131.5 + Stroke	122 + 0.5 stroke	
63		121.6	137.4 + Stroke	122.1	136.9 + Stroke	129.5 + 0.5 stroke	
80		141.4	158.6 + Stroke	141.9	158.1 + Stroke	150 + 0.5 stroke	
100		153.9	166.1 + Stroke	154.4	165.6 + Stroke	160 + 0.5 stroke	5

C85

C85W

C85-ST

C85K

C85K-ST

C85R

C75

C75W

C75-ST

C75K

C75K-ST

C75R

CP96

CP96K

C96

C96K

C96Y

C55

Auto Switch

Made to Order

Related Products

C96 Series Made to Order

Please contact SMC for detailed dimensions, specifications, and lead times.



1 Heat-resistant Cylinder (−10 to 150°C)

Symbol

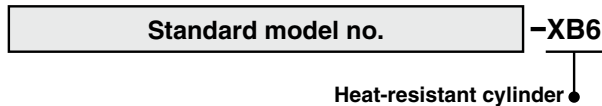
-XB6

Air cylinder which changed the seal material and grease, so that it could be used even at higher temperature up to 150°C.

Applicable Series

Description	Model	Action
Standard type	C96S	Double acting, Single rod
	C96S-W	Double acting, Double rod

How to Order



Specifications

Ambient temperature range	−10 to 150°C
Seal material	Fluororubber
Grease	Heat-resistant grease
Specifications other than above and external dimensions	Same as standard type

- * Operate without lubrication from a pneumatic system lubricator.
- * Please contact SMC for details on the maintenance intervals for this cylinder, which differ from those of the standard cylinder.
- * In principle, it is impossible to make built-in magnet type and the one with auto switch.
But, as for the one with auto switch, and the heat-resistant cylinder with heat-resistant auto switch, since it will be differed depending on the series, please contact SMC.
- * Piston speed is ranged from 50 to 500 mm/s.

Warning Precautions

Be aware that smoking cigarettes etc. after your hands have come into contact with the grease used in this cylinder can create a gas that is hazardous to humans.

2 Cold-resistant Cylinder (−40 to 70°C)

Symbol

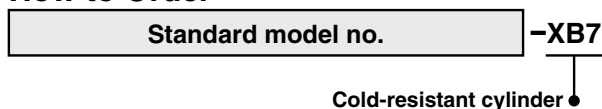
-XB7

Air cylinder which changed the seal material and grease, so that it could be used even at lower temperature down to −40°C.

Applicable Series

Description	Model	Action	Note
Standard type	C96S	Double acting, Single rod	Excluding with auto switch. Mounting bracket: Basic type only Minimum operating pressure 0.2 MPa
	C96S-W	Double acting, Double rod	

How to Order



Specifications

Ambient temperature range	−40 to 70°C
Seal material	Low nitrile rubber
Grease	Cold-resistant grease
Auto switch	Not mountable
Dimensions	Same as standard type
Specifications other than above	Same as standard type

- * Operate without lubrication from a pneumatic system lubricator.
- * Use dry air which is suitable for heatless air dryer etc. not to cause the moisture to be frozen.
- * Please contact SMC for details on the maintenance intervals for this cylinder, which differ from those of the standard cylinder.
- * Mounting auto switch is impossible.

Warning Precautions

Be aware that smoking cigarettes etc. after your hands have come into contact with the grease used in this cylinder can create a gas that is hazardous to humans.

Symbol
-XC4

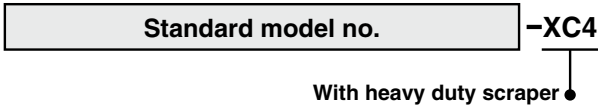
3 With Heavy Duty Scraper

It is suitable for using cylinders under the environment, where there are much dusts in a surrounding area by using a heavy duty scraper on the wiper ring, or using cylinders under earth and sand exposed to the die-casted equipment, construction machinery, or industrial vehicles.

Applicable Series

Description	Model	Action
Standard type	C96S	Double acting, Single rod
	C96S-W	Double acting, Double rod

How to Order



Specifications: Same as standard type

Dimensions: Same as standard type

⚠ Caution

Do not replace heavy duty scrapers.

Since heavy duty scrapers are press-fit, do not replace the cover only, but rather the entire rod cover assembly.

Symbol
-XC7

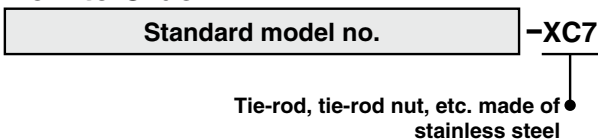
4 Tie-rod, Tie-rod Nut, etc. Made of Stainless Steel

When using in locations where the rust generation or corrosion likelihood exists, the standard parts material have been partly changed to the stainless steel.

Applicable Series

Description	Model	Action
Standard type	C96S	Double acting, Single rod
	C96S-W	Double acting, Double rod
Smooth type	C96Y	Double acting, Single rod

How to Order



Specifications

Parts changed to stainless steel	Tie-rod, Tie-rod nut, Mounting bracket nut, Spring washer, Lock nut
Specifications other than above	Same as standard type for each series
Dimensions	Same as standard type for each series

C85

C85W

C85-ST

C85K

C85K-ST

C85R

C75

C75W

C75-ST

C75K

C75K-ST

C75R

CP96

CP96K

C96

C96K

C96Y

C55

Auto Switch

Made to Order

Related Products

C96 Series

Symbol
-XC10

5 Dual Stroke Cylinder/Double Rod Type

Two cylinders are constructed as one cylinder in a back-to-back configuration allowing the cylinder stroke to be controlled in three steps.

Applicable Series

Description	Model	Action	Note
Standard type	C96S	Double acting, Single rod	Excluding clevis and trunnion types
Smooth type	C96Y	Double acting, Single rod	Excluding clevis and trunnion types

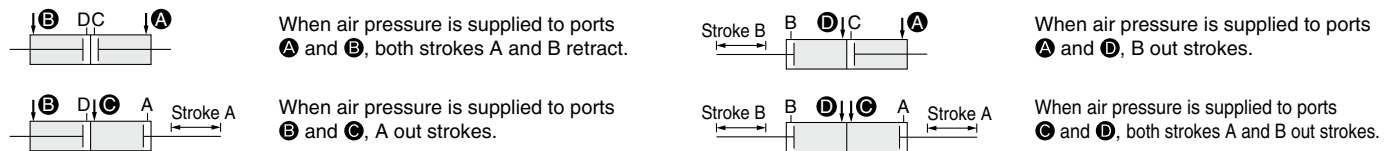
How to Order

C96S
C96Y **Mounting type** **Bore size** - **Stroke A** + **Stroke B** **C - XC10**
Dual stroke cylinder

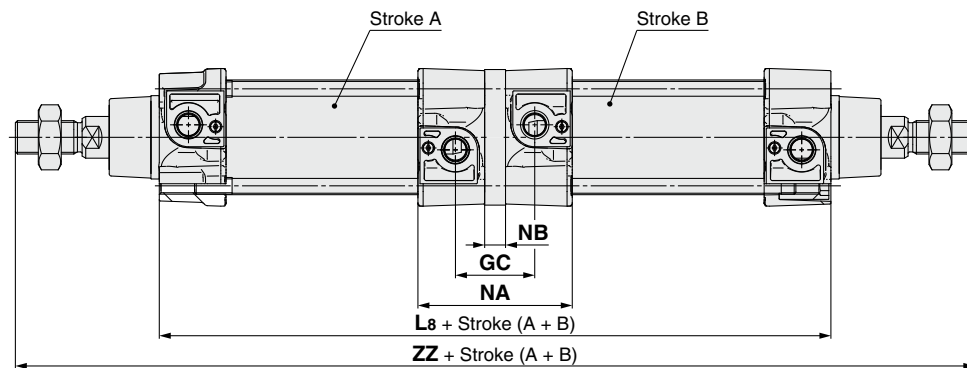
Specifications

Maximum manufacturable stroke [mm]
1000

Function



Dimensions (Dimensions other than below are the same as standard type.)



Bore size [mm]	L8	ZZ	NA	NB	GC
ø32	198	294	67.8	10	36
ø40	220	328	75.2	10	38
ø50	222	360	74	10	38
ø63	252	390	87.2	10	42
ø80	270	442	90.8	14	46
ø100	290	472	99.8	14	50

6 Dual Stroke Cylinder/Single Rod Type

-XC11

Two cylinders can be integrated by connecting them in line, and the cylinder stroke can be controlled in two stages in both directions.

Applicable Series

Description	Model	Action	Note
Standard type	C96S	Double acting, Single rod	Excluding trunnion type

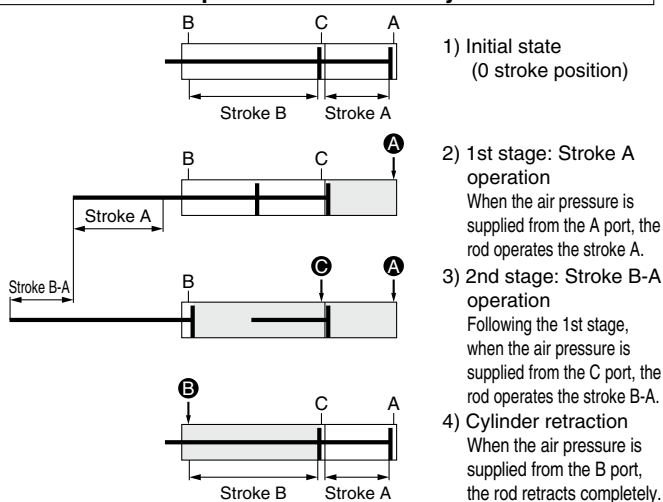
How to Order

Specifications: Same as standard type

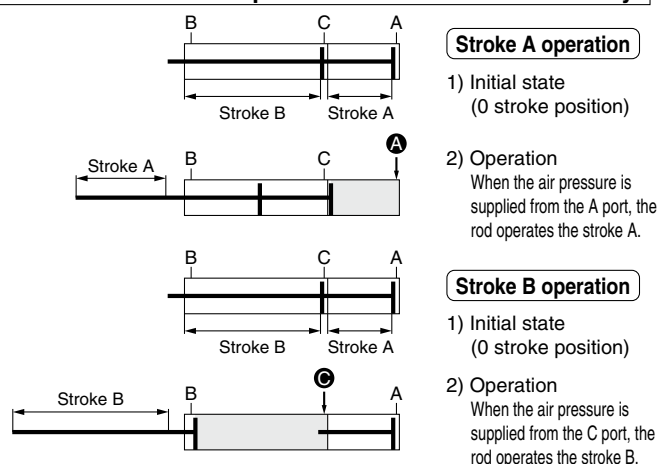
C96S [Mounting type] [Bore size] - [Stroke A] + [Stroke B-A] C - XC11
Dual stroke cylinder/Single rod type

Function

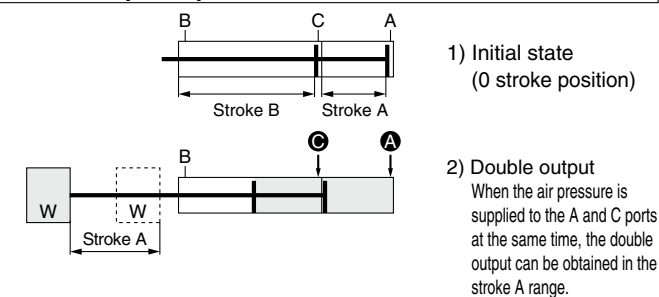
Functional description of dual stroke cylinder



Stroke A or Stroke B operation can be made individually.



Double output is possible.

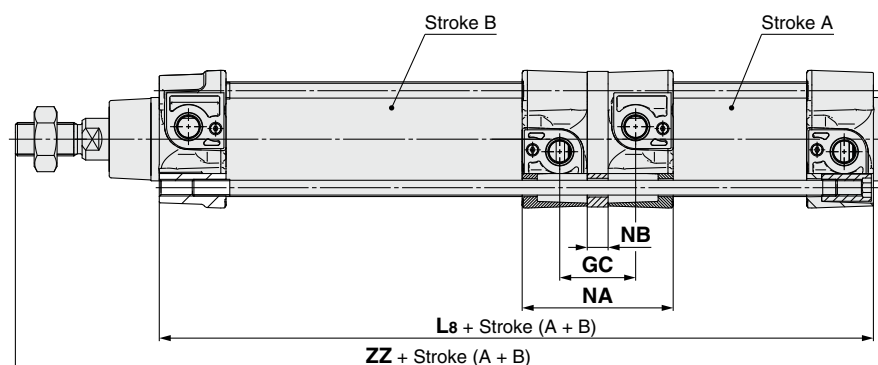


Precautions

Caution

- Do not supply air until the cylinder is fixed with the attached bolt.
- If air is supplied without securing the cylinder, the cylinder could lurch, posing the risk of bodily injury or damage to the peripheral equipment.

Dimensions (Dimensions other than below are the same as standard type.)



Bore size [mm]	L8	ZZ	NA	NB	GC
ø32	199	251	67.2	10	35.4
ø40	221	279	74.6	10	37.4
ø50	223	296	73.4	10	37.4
ø63	253	326	86.6	10	41.4
ø80	271	361	90.2	14	45.4
ø100	291	386	99.2	14	49.4

- C85
- C85W
- C85-ST
- C85K
- C85K-ST
- C85R
- C75
- C75W
- C75-ST
- C75K
- C75K-ST
- C75R
- CP96
- CP96K
- C96
- C96K
- C96Y
- C55
- Auto Switch
- Made to Order
- Related Products

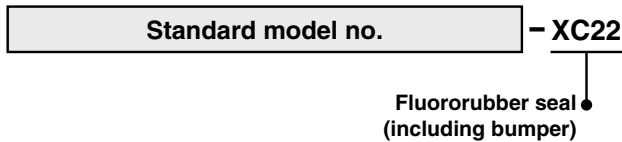
7 Fluororubber Seal

Symbol
-XC22

Applicable Series

Description	Model	Action
Standard type	C96S	Double acting, Single rod
	C96S-W	Double acting, Double rod

How to Order



Specifications

Seal material	Fluororubber
Ambient temperature range	With auto switch: -10°C to 60°C (No freezing)*1 Without auto switch: -10°C to 70°C (No freezing)
Specifications other than above and external dimensions	Same as standard type

- *1 Please contact SMC, as the type of chemical and the operating temperature may not allow the use of this product.
- * Cylinders with auto switches can also be produced; however, auto switch related parts (auto switch units, mounting brackets, built-in magnets) are the same as standard products. Before using these, please contact SMC regarding their suitability for the operating environment.

8 With Coil Scraper

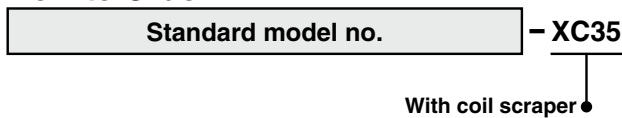
Symbol
-XC35

It gets rid of frost, ice, weld spatter, cutting chips adhered to the piston rod, and protects the seals etc.

Applicable Series

Description	Model	Action
Standard type	C96S	Double acting, Single rod
	C96S-W	Double acting, Double rod

How to Order



Specifications: Same as standard type

Dimensions: Same as standard type

Symbol

9 Made of Stainless Steel (Combination of -XC7 and -XC68)

-XC65

Suitable for the cases it is likely to generate rust by being immersed in the water and corrosion.

Applicable Series

Description	Model	Action
Standard type	C96S	Double acting, Single rod
	C96S-W	Double acting, Double rod
Smooth type	C96Y	Double acting, Single rod

* There is a maximum stroke limit for C96 cylinder.

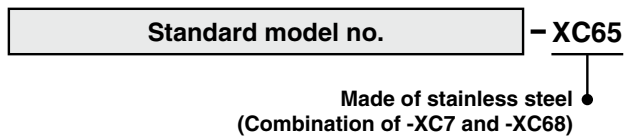
Maximum Stroke [mm]

Double acting, Single rod	Double acting, Double rod
ø32: 1000 ø40 to ø100: 1700	1000 (Same as standard type)

Specifications

Parts changed to stainless steel	Piston rod, Rod end nut, Tie-rod, Tie-rod nut, Mounting bracket nut, Spring washer, Lock nut
Other specifications and external dimensions	Same as standard type

How to Order



Symbol

10 Made of Stainless Steel (With Hard Chrome Plated Piston Rod)

-XC68

Suitable for the cases it is likely to generate rust by being immersed in the water and corrosion.

Applicable Series

Description	Model	Action
Standard type	C96S	Double acting, Single rod
	C96S-W	Double acting, Double rod
Smooth type	C96Y	Double acting, Single rod

* There is a maximum stroke limit.

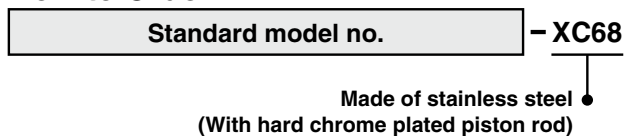
Maximum Stroke [mm]

Double acting, Single rod	Double acting, Double rod
ø32: 1000 ø40 to ø100: 1700	1000 (Same as standard type)

Specifications

Parts changed to stainless steel	Piston rod, Rod end nut
Other specifications and external dimensions	Same as standard type

How to Order



- C85
- C85W
- C85-S/T
- C85K
- C85K-S/T
- C85R
- C75
- C75W
- C75-S/T
- C75K
- C75K-S/T
- C75R
- CP96
- CP96K
- C96
- C96K
- C96Y
- C55
- Auto Switch
- Made to Order
- Related Products

C96 Series

11 Spatter-resistant Coil Scraper, Lube-retainer, Grease for Welding (Piston rod: Stainless steel 304)

Symbol
-XC88

Reduces spatter adhesion and improves durability by the use of the coil scraper, Lube-retainer and grease for welding.

Applicable Series

Description	Model	Action
Standard type	C96S	Double acting, Single rod
	C96S-W	Double acting, Double rod

How to Order

Standard model no. **-XC88**

● Spatter-resistant coil scraper, Lube-retainer, grease for welding (Piston rod: Stainless steel 304)

Specifications

Piston rod	Stainless steel 304 (With hard chrome plated)
Scraper	With coil scraper, With Lube-retainer
Grease	Grease for welding
Other specifications and external dimensions	Same as standard type

12 Spatter-resistant Coil Scraper, Lube-retainer, Grease for Welding (Piston rod: S45C)

Symbol
-XC89

Reduces spatter adhesion and improves durability by the use of the coil scraper, Lube-retainer and grease for welding.

Applicable Series

Description	Model	Action
Standard type	C96S	Double acting, Single rod
	C96S-W	Double acting, Double rod

How to Order

Standard model no. **-XC89**

● Spatter-resistant coil scraper, Lube-retainer, grease for welding (Piston rod: S45C)

Specifications

Piston rod	S45C (With hard chrome plated)
Scraper	With coil scraper, With Lube-retainer
Grease	Grease for welding
Other specifications and external dimensions	Same as standard type



C96 Series

Specific Product Precautions

Be sure to read this before handling the products. Refer to page 219 for safety instructions. For actuator and auto switch precautions, refer to the “Handling Precautions for SMC Products” and the “Operation Manual” on the SMC website: <http://www.smcworld.com>

Adjustment

Warning

1. Do not open the cushion valve more than the allowable number of rotations (following table).

Although the cushion valve is caulked as a retaining mechanism, do not open the cushion valve more than the allowable number of rotations. If air is supplied and operation started without confirming the above condition, the cushion valve may be ejected from the cover.

The allowable number of rotations refers to the number of rotations until the restrictor of the cushion valve is completely opened from the completely closed state.

2. Keep the screwing torque and the unscrewing torque of the cushion valve to the allowable torque or below (following table).

If a screwing torque or unscrewing torque beyond the allowable torque is applied, the valve will be damaged when the valve is closed completely or exceeds the retaining mechanism when the valve is opened completely, which will dislocate the engagement of the screw and eject the valve.

Bore size [mm]	Cushion valve width across flats	Hexagon wrench	Allowable number of rotations	Allowable torque [N·m]
32, 40	2	JIS 4648 Hexagon wrench key 2	4	0.02
50, 63	2	JIS 4648 Hexagon wrench key 2	4.5	0.02
80, 100	3	JIS 4648 Hexagon wrench key 3	5.5	0.06

3. Be certain to activate the air cushion at the stroke end.

When the air cushion is inactivated, if the allowable kinetic energy exceeds the value on page 163, the piston rod assembly or the tie-rod may be damaged. Set the air cushion to valid when operating the cylinder.

Caution

1. When replacing brackets, use the hexagon wrenches shown below.

Bore size [mm]	Width across flats	Tightening torque [N·m]
32, 40	4	4.8
50, 63	5	10.4
80, 100	6	18.2

C85

C85W

C85-ST

C85K

C85K-ST

C85R

C75

C75W

C75-ST

C75K

C75K-ST

C75R

CP96

CP96K

C96

C96K

C96Y

C55

Auto Switch

Made to Order

Related Products