

重复精度
Repeat Accuracy
±0.005 mm

此图仅供参考, 出货规格详见尺寸图面
This picture for reference only, specs details according with the drawing.

最大行程
Max Stroke 325mm

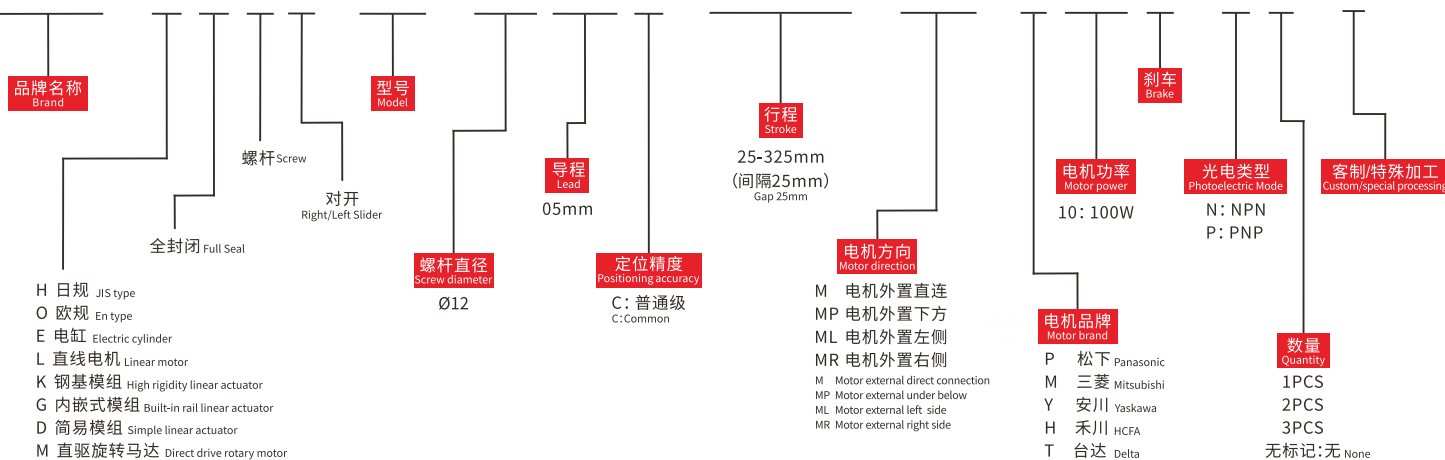
最高速度
Max Speed 250mm/s

马达容量
Motor Output 100W

滚珠螺杆
Ball Screw Ø12mm

型号表达方式 Ordering method

TPA-GCRS-50-1205C-L325-ML-P10B-N3-F

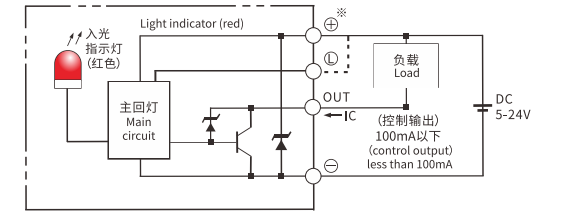


产品性能参数如下 Product performance parameters are as follows

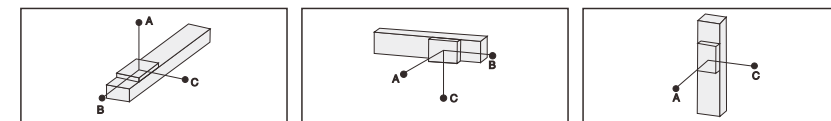
规格 Spec	重复定位精度 (mm) Repeated positioning accuracy (mm)	±0.005	
	螺杆菌程 (mm) Ball screw lead (mm)	05	
	最高速度 (mm/s) ^{※2} Maximum speed (mm/s)	250	
	最大可搬重量 Maximum Payload	水平使用 (kg) Horizontal (kg)	30 (双滑座 Dual carriage)
		垂直使用 (kg) Vertical (kg)	10 (双滑座 Dual carriage)
定规格推力 (N) Rated thrust (N)	854		
部品 Parts	标准行程 (mm) ^{※1} Stroke pitch (mm)	25~325mm/25mm间隔 25mm Pitch	
	AC伺服马达容量 (W) AC servo motor output (w)	100	
	滚珠螺杆外径 (mm) Ball screw Ø (mm)	Ø12	
	联轴器 (mm) Coupling (mm)	7X8	
	原点感应器 Original Sense	外挂 Outside	TPA-N674-WR

※1 反向同动只能对应导程2。
※1 Dual carriage synchronous movement in reverse direction can only fit at lead of 2mm.
※2 马达加速设定0.2秒。
※2 Acceleration and deceleration value is set 0.2 second.

感应器连接图<原点及端点> Sensor layout

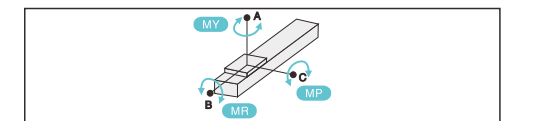


容许负载力矩表 N.m Allowable overhang



(单位Unit:mm)				(单位Unit:mm)				(单位Unit:mm)					
水平安装 Horizontal installation		A	B	C	侧面安装 Side mounting		A	B	C	垂直安装 Vertical installation		A	C
导程 05 Lead	10kg	900	100	135	导程 05 Lead	10kg	135	100	900	导程 05 Lead	6kg	180	180
	20kg	700	45	60		20kg	60	45	700		8kg	135	135
	30kg	550	25	35		30kg	37	27	550		10kg	110	110

静态容许负载惯量 Static loading moment



(单位Unit:N.m)	
MY	103
MP	103
MR	144

*力矩表所表示的数据,代表重心。
The torque value in the chart indicate the center of gravity.
*符合型录规范的正常试用下,保证寿命为10000公里。
Operation life is 10,000km when the product is using under the specified conditions.
*倒吊使用无法套用标准规范,如有需求请咨询我司业务。
The standard specification cannot be applied to the use of inverted crane. Please consult our business if necessary.

搭配伺服马达一览表 Suitable motor brand

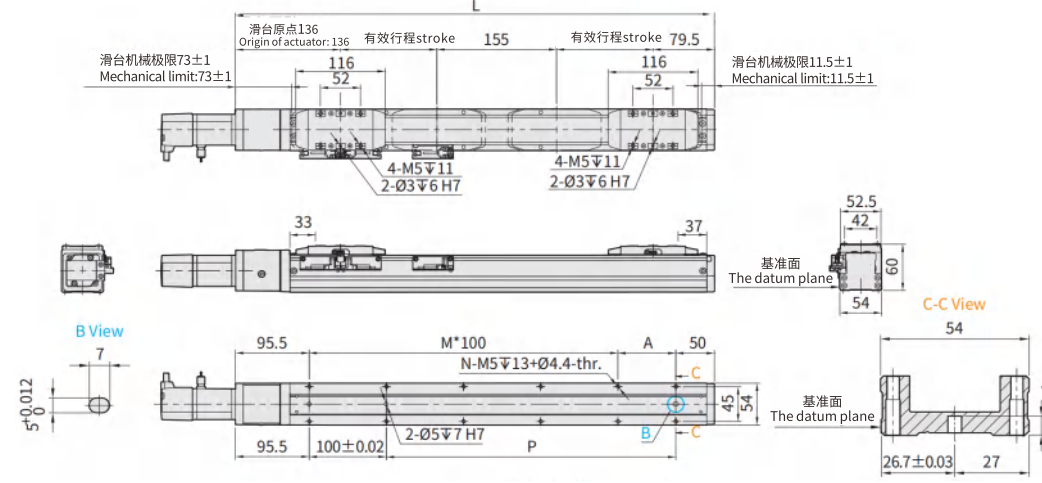
品牌 Brand	马达记号 Mark	刹车有无 Brake	马达容量 Motor capacity	电源电压 AC-Voltage	伺服马达型号 Servo motor model	驱动器型号 Driver Model
三菱 Mitsubishi	M	无刹车(水平式样) No brake (horizontal type)	100	220	HG-KR13	MR-J4-10A
		有刹车(垂直式样) With brakes (vertical type)	100	220	HG-KR13B	MR-J4-10A
松下 Panasonic	P	无刹车(水平式样) No brake (horizontal type)	100	220	MHMD012G1U	MADHT1505
		有刹车(垂直式样) With brakes (vertical type)	100	220	MHMD012G1V	MADHT1505
台达 Delta	T	无刹车(水平式样) No brake (horizontal type)	100	220	ECMA-C20401ES	ASD-B20121-B
		有刹车(垂直式样) With brakes (vertical type)	100	220	ECMA-C20401FS	ASD-B20121-B



电机外置直连/电机外置下方
Motor external direct connection/Motor external under below

M 电机外置直连 Motor external direct connection

单位:Unit: mm



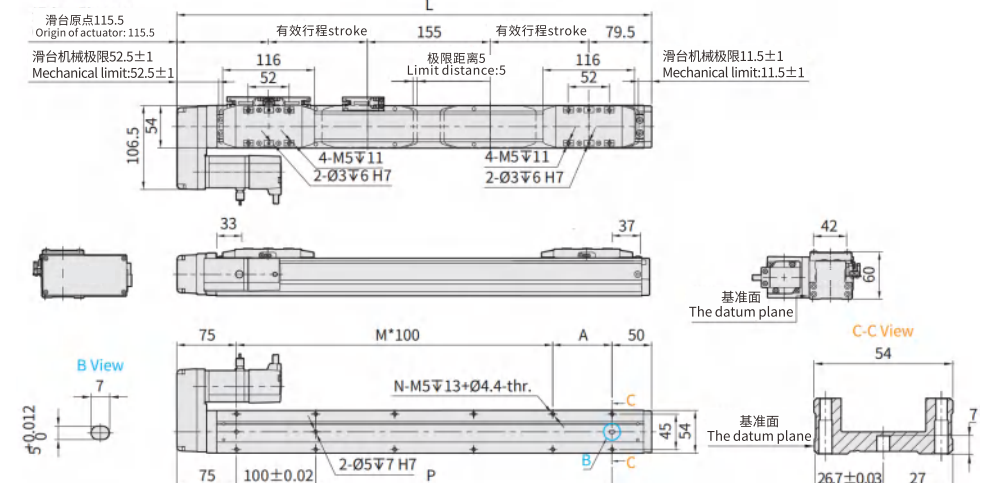
有效行程 Valid Stroke	25	50*	75	100	125	150	175	200	225	250	275	300	325
L	420.5	470.5	520.5	570.5	620.5	670.5	720.5	770.5	820.5	870.5	920.5	970.5	1020.5
A	75	25	75	25	75	25	75	25	75	25	75	25	75
M	2	3	3	4	4	5	5	6	6	7	7	8	8
N	8	10	10	12	12	14	14	16	16	18	18	20	20
P	175	225	275	325	375	425	475	525	575	625	675	725	775
KG	2.82	3.01	3.21	3.41	3.6	3.8	4	4.19	4.39	4.59	4.78	4.98	5.18

※行程50时,因本体上锁式固定孔会被滑座堵住,仅能使用4支螺丝固定,建议客户本体使用下锁式固定孔锁附。
※When the stroke is 50mm, if fixing the body from the top to the bottom, the fixing hole will be blocked by slider and only can be uses 4 screws to fix; as a result, suggest that fixing actuator body from the bottom to the top.

电机外置左侧/电机外置右侧
Motor external left side/Motor external right side

ML 电机外置左侧 Motor external left side

单位:Unit: mm

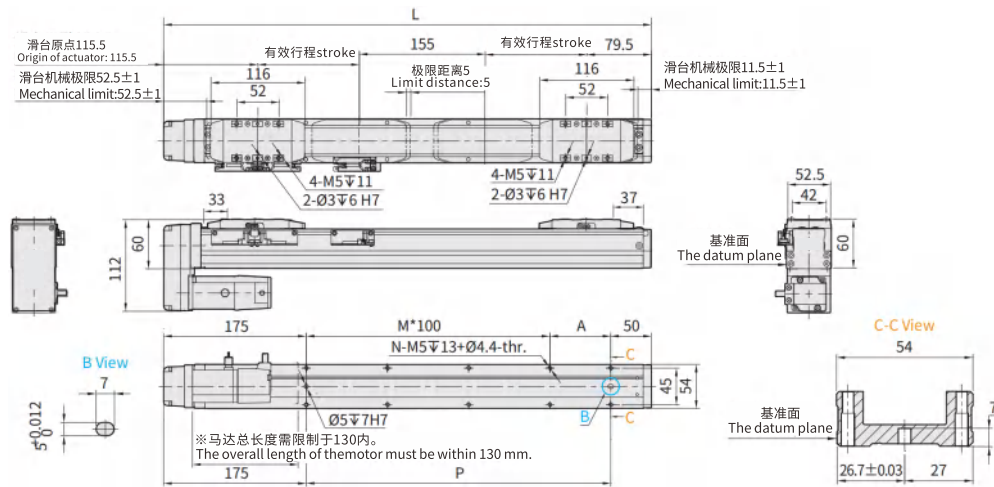


有效行程 Valid Stroke	25	50*	75	100	125	150	175	200	225	250	275	300	325
L	400	450	500	550	600	650	700	750	800	850	900	950	1000
A	75	25	75	25	75	25	75	25	75	25	75	25	75
M	2	3	3	4	4	5	5	6	6	7	7	8	8
N	8	10	10	12	12	14	14	16	16	18	18	20	20
P	175	225	275	325	375	425	475	525	575	625	675	725	775
KG	2.99	3.18	3.38	3.58	3.77	3.97	4.17	4.36	4.56	4.76	4.95	5.15	5.35

※行程50时,因本体上锁式固定孔会被滑座堵住,仅能使用4支螺丝固定,建议客户本体使用下锁式固定孔锁附。
※When the stroke is 50mm, if fixing the body from the top to the bottom, the fixing hole will be blocked by slider and only can be uses 4 screws to fix; as a result, suggest that fixing actuator body from the bottom to the top.

MP 电机外置下方 Motor external under below

单位:Unit: mm

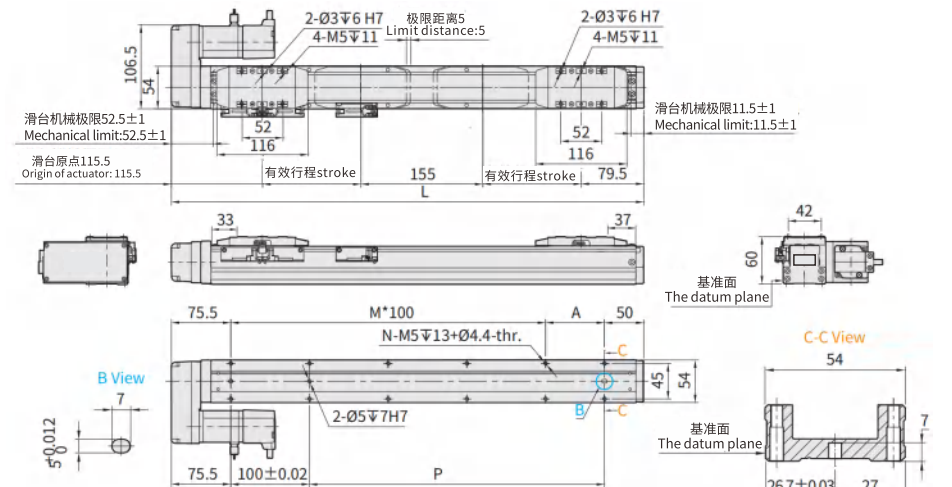


有效行程 Valid Stroke	25	50*	75	100	125	150	175	200	225	250	275	300	325
L	400	450	500	550	600	650	700	750	800	850	900	950	1000
A	75	25	75	25	75	25	75	25	75	25	75	25	75
M	1	2	2	3	3	4	4	5	5	6	6	7	7
N	6	8	8	10	10	12	12	14	14	16	16	18	18
P	175	225	275	325	375	425	475	525	575	625	675	725	775
KG	2.99	3.18	3.38	3.58	3.77	3.97	4.17	4.36	4.56	4.76	4.95	5.15	5.35

※行程50时,因本体上锁式固定孔会被滑座堵住,仅能使用4支螺丝固定,建议客户本体使用下锁式固定孔锁附。
※When the stroke is 50mm, if fixing the body from the top to the bottom, the fixing hole will be blocked by slider and only can be uses 4 screws to fix; as a result, suggest that fixing actuator body from the bottom to the top.
※马达下折时,若选用刹车马达,或是超出马达总长度限制时无法套用标准PIN孔,如有需求请洽我业务。
※When motor with brake assembled on lower side, or the total length over than spec limit, it may not use standard pinhole. Please contact our sales department if you need more information & requirement.

MR 电机外置右侧 Motor external right side

单位:Unit: mm



有效行程 Valid Stroke	25	50*	75	100	125	150	175	200	225	250	275	300	325
L	400	450	500	550	600	650	700	750	800	850	900	950	1000
A	75	25	75	25	75	25	75	25	75	25	75	25	75
M	2	3	3	4	4	5	5	6	6	7	7	8	8
N	8	10	10	12	12	14	14	16	16	18	18	20	20
P	175	225	275	325	375	425	475	525	575	625	675	725	775
KG	2.99	3.18	3.38	3.58	3.77	3.97	4.17	4.36	4.56	4.76	4.95	5.15	5.35

※行程50时,因本体上锁式固定孔会被滑座堵住,仅能使用4支螺丝固定,建议客户本体使用下锁式固定孔锁附。
※When the stroke is 50mm, if fixing the body from the top to the bottom, the fixing hole will be blocked by slider and only can be uses 4 screws to fix; as a result, suggest that fixing actuator body from the bottom to the top.



重复精度
Repeat Accuracy
±0.005 mm

此图仅供参考,出货规格详见尺寸图面
This picture for reference only, specs details according with the drawing.

最大行程
Max Stroke 450mm

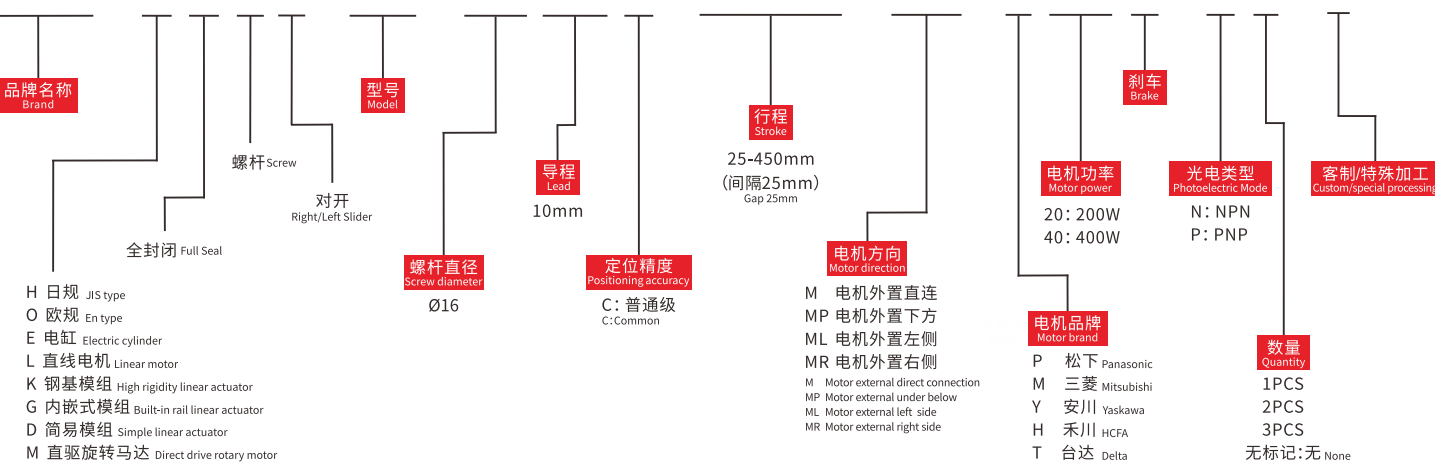
最高速度
Max Speed 500mm/s

马达容量
Motor Output 200W

滚珠螺杆
Ball Screw Ø16mm

型号表达方式 Ordering method

TPA-GCRS-80-1610C-L450-ML-P20B-N3-F

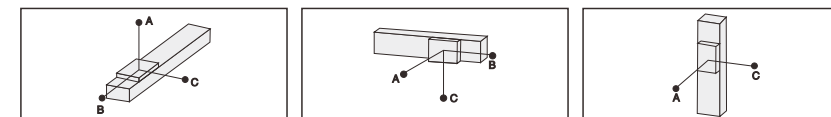


产品性能参数如下 Product performance parameters are as follows

规格 Spec	重复定位精度 (mm) Repeated positioning accuracy (mm)	±0.005
	螺距 (mm) Ball screw lead (mm)	10
	最高速度 (mm/s) ^{※2} Maximum speed (mm/s)	500
	最大可搬重量 Maximum Payload	水平使用 (kg) Horizontal (kg): 30 (双滑座 Dual carriage) 垂直使用 (kg) Vertical (kg): 10 (双滑座 Dual carriage)
部品 Parts	定格推力 (N) Rated thrust (N)	683
	标准行程 (mm) Stroke pitch (mm)	25~450mm/25mm间隔 25mm Pitch
	AC伺服马达容量 (W) AC servo motor output (w)	200
	滚珠螺杆外径 (mm) Ball screw Ø (mm)	Ø16
	联轴器 (mm) Coupling (mm)	10X14/11 ^(注1)
	原点感应器 Original Sense	外挂 Outside
		TPA-N674-WR

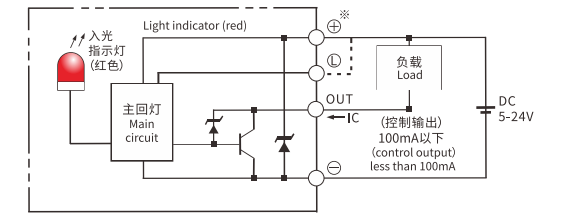
※1 反向同动只能对应导程5。
※2 马达加减速设定0.2秒。
※1 Dual carriage synchronous movement in reverse direction can only fit at lead of 5mm. ※2 Acceleration and deceleration value is set 0.2 second.
*注1:使用Panasonic200W马达时,马达轴心为Ø11,其他品牌,马达轴心为Ø14。
*注1: Motor(200W) Shaft Diameter: Panasonic:11mm;Other:14mm.

容许负载力矩表 N.m Allowable overhang

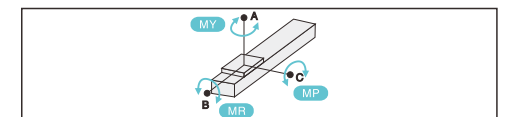


(单位Unit:mm)				(单位Unit:mm)				(单位Unit:mm)			
水平安装 Horizontal installation	A	B	C	侧面安装 Side mounting	A	B	C	垂直安装 Vertical installation	A	C	
导程 05 Lead	20kg	1560	153	237	20kg	214	153	1435	10kg	331	331
	35kg	890	81	126	35kg	113	81	845	15kg	220	220
	50kg	550	53	82	50kg	74	53	506	-	-	-

感应器连接图<原点及端点> Sensor layout



静态容许负载惯量 Static loading moment



(单位Unit:N.m)	
MY	318
MP	318
MR	626

*力矩表所表示的数据,代表重心。
The torque value in the chart indicate the center of gravity.
*符合规格的正常试用下,保证寿命为10000公里。
Operation life is 10,000km when the product is using under the specified conditions.
*侧吊使用无法套用标准规范,如有需求请咨询我司业务。
The standard specification cannot be applied to the use of inverted crane. Please consult our business if necessary.

搭配伺服马达一览表 Suitable motor brand

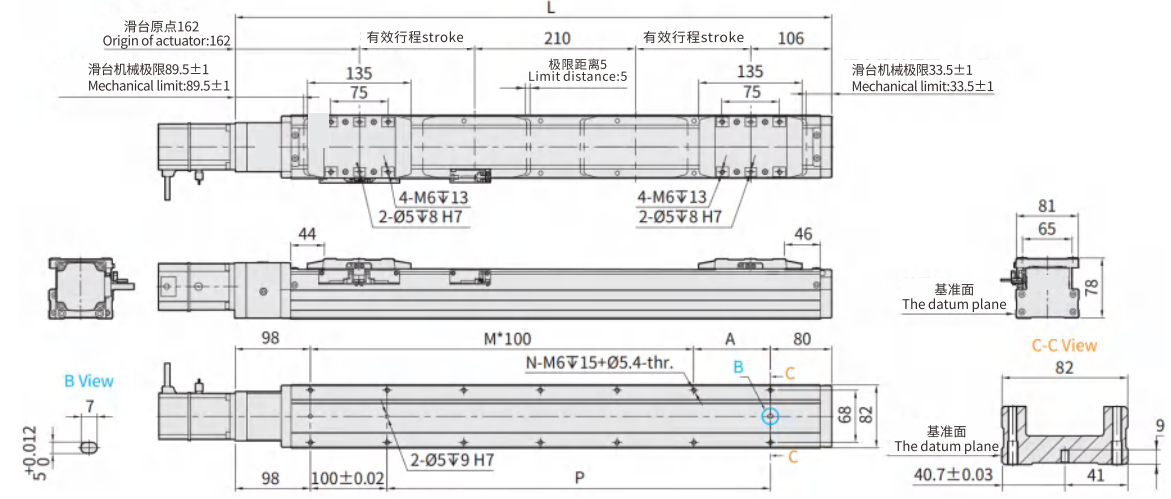
品牌 Brand	马达记号 Mark	刹车有无 Brake	马达容量 Motor capacity	电源电压 AC-Voltage	伺服马达型号 Servo motor model	驱动器型号 Driver Model
三菱 Mitsubishi	M	无刹车(水平式样) No brake (horizontal type)	200	220	HG-KR23	MR-J4-20A
		有刹车(垂直式样) With brakes (vertical type)	200	220	HG-KR23B	MR-J4-20A
松下 Panasonic	P	无刹车(水平式样) No brake (horizontal type)	200	220	MHMD022G1U	MADHT1507
		有刹车(垂直式样) With brakes (vertical type)	200	220	MHMD022G1V	MADHT1507
台达 Delta	T	无刹车(水平式样) No brake (horizontal type)	200	220	ECMA-C20602ES	ASD-B20221-B
		有刹车(垂直式样) With brakes (vertical type)	200	220	ECMA-C20602FS	ASD-B20221-B



电机外置直连/电机外置下方
Motor external direct connection/Motor external under below

M 电机外置直连 Motor external direct connection

单位:Unit: mm

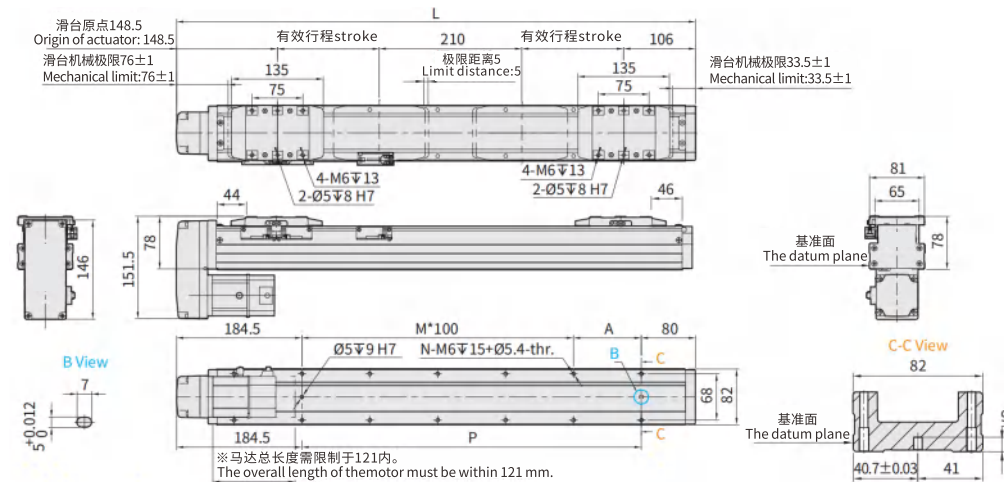


有效行程 Valid Stroke	25	50 [※]	75	100	125	150	175	200	225	250	275	300	325	350	375	400	425	450
L	528	578	628	678	728	778	828	878	928	978	1028	1078	1128	1178	1228	1278	1328	1378
A	50	100	50	100	50	100	50	100	50	100	50	100	50	100	50	100	50	100
M	3	3	4	4	5	5	6	6	7	7	8	8	9	9	10	10	11	11
N	10	10	12	12	14	14	16	16	18	18	20	20	22	22	24	24	26	26
P	250	300	350	400	450	500	550	600	650	700	750	800	850	900	950	1000	1050	1100
KG	6.64	7	7.37	7.73	8.10	8.46	8.83	9.19	9.56	9.92	10.29	10.65	11.02	11.38	11.75	12.11	12.48	12.85

※行程50时,因本体上锁式固定孔会被滑座遮住,仅能使用4支螺丝固定,建议客户本体使用下锁式固定孔锁附。
※When the stroke is 50mm, if fixing the body from the top to the bottom, the fixing hole will be blocked by slider and only can be uses 4 screws to fix; as a result, suggest that fixing actuator body from the bottom to the top.

MP 电机外置下方 Motor external under below

单位:Unit: mm



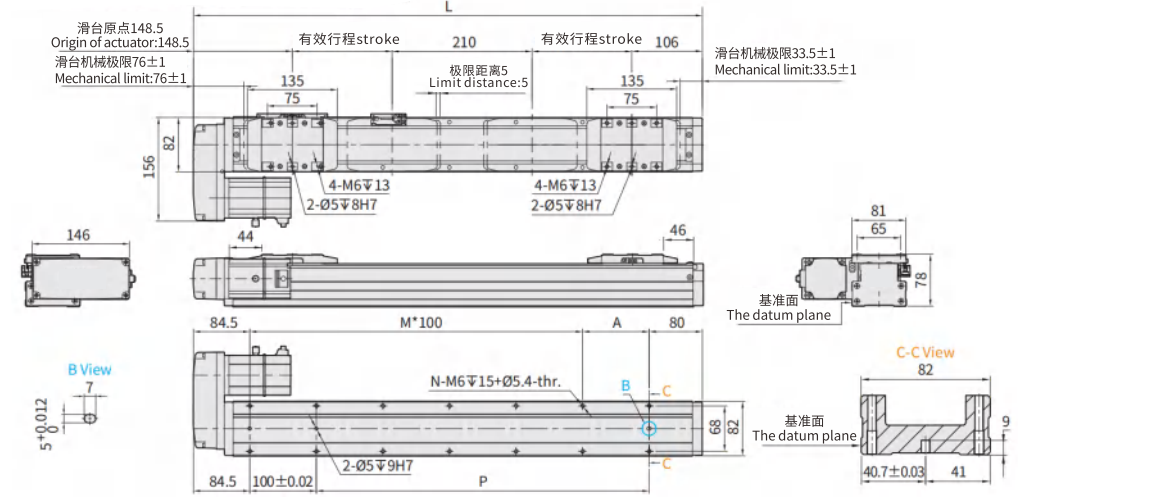
有效行程 Valid Stroke	25	50 [※]	75	100	125	150	175	200	225	250	275	300	325	350	375	400	425	450
L	514.5	564.5	614.5	664.5	714.5	764.5	814.5	864.5	914.5	964.5	1014.5	1064.5	1114.5	1164.5	1214.5	1264.5	1314.5	1364.5
A	50	100	50	100	50	100	50	100	50	100	50	100	50	100	50	100	50	100
M	2	2	3	3	4	4	5	5	6	6	7	7	8	8	9	9	10	10
N	8	8	10	10	12	12	14	14	16	16	18	18	20	20	22	22	24	24
P	250	300	350	400	450	500	550	600	650	700	750	800	850	900	950	1000	1050	1100
KG	7.16	7.68	8.2	8.72	9.24	9.76	10.28	10.8	11.32	11.84	12.36	12.88	13.4	13.92	14.44	14.96	15.48	16

※行程50时,因本体上锁式固定孔会被滑座遮住,仅能使用4支螺丝固定,建议客户本体使用下锁式固定孔锁附。
※When the stroke is 50mm, if fixing the body from the top to the bottom, the fixing hole will be blocked by slider and only can be uses 4 screws to fix; as a result, suggest that fixing actuator body from the bottom to the top.
※马达下折时,若选用刹车马达,或是超出马达总长度限制时无法套用标准PIN孔,如有需求请洽我司业务。
※When motor with brake assembled on lower side, or the total length over than spec limit, it may not use standard pinhole. Please contact our sales department if you need more information & requirement.

电机外置左侧/电机外置右侧
Motor external left side/Motor external right side

ML 电机外置左侧 Motor external left side

单位:Unit: mm

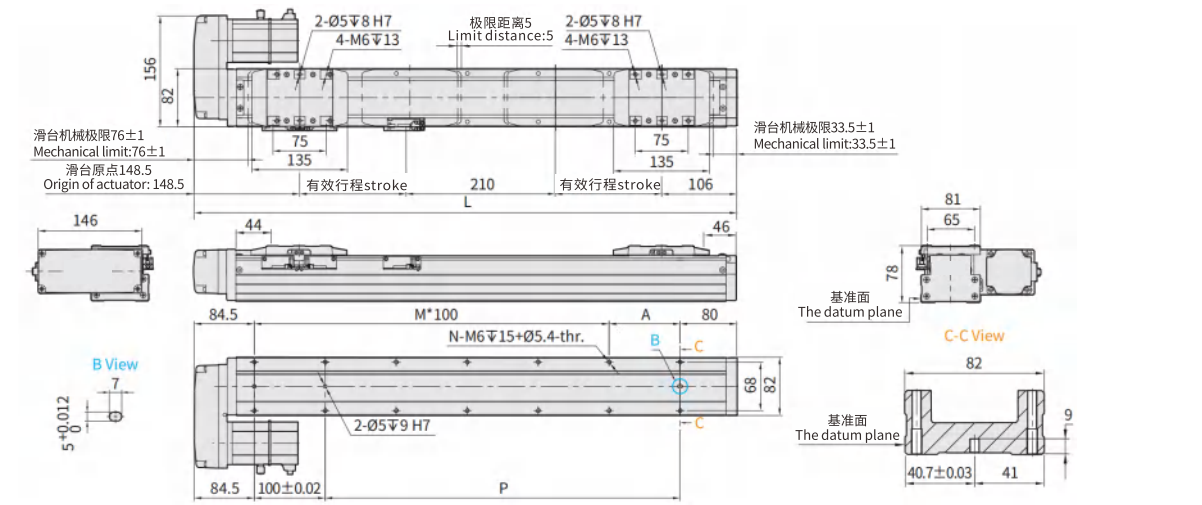


有效行程 Valid Stroke	25	50 [※]	75	100	125	150	175	200	225	250	275	300	325	350	375	400	425	450
L	514.5	564.5	614.5	664.5	714.5	764.5	814.5	864.5	914.5	964.5	1014.5	1064.5	1114.5	1164.5	1214.5	1264.5	1314.5	1364.5
A	50	100	50	100	50	100	50	100	50	100	50	100	50	100	50	100	50	100
M	3	3	4	4	5	5	6	6	7	7	8	8	9	9	10	10	11	11
N	10	10	12	12	14	14	16	16	18	18	20	20	22	22	24	24	26	26
P	250	300	350	400	450	500	550	600	650	700	750	800	850	900	950	1000	1050	1100
KG	7.16	7.68	8.2	8.72	9.24	9.76	10.28	10.8	11.32	11.84	12.36	12.88	13.4	13.92	14.44	14.96	15.48	16

※行程50时,因本体上锁式固定孔会被滑座遮住,仅能使用4支螺丝固定,建议客户本体使用下锁式固定孔锁附。
※When the stroke is 50mm, if fixing the body from the top to the bottom, the fixing hole will be blocked by slider and only can be uses 4 screws to fix; as a result, suggest that fixing actuator body from the bottom to the top.

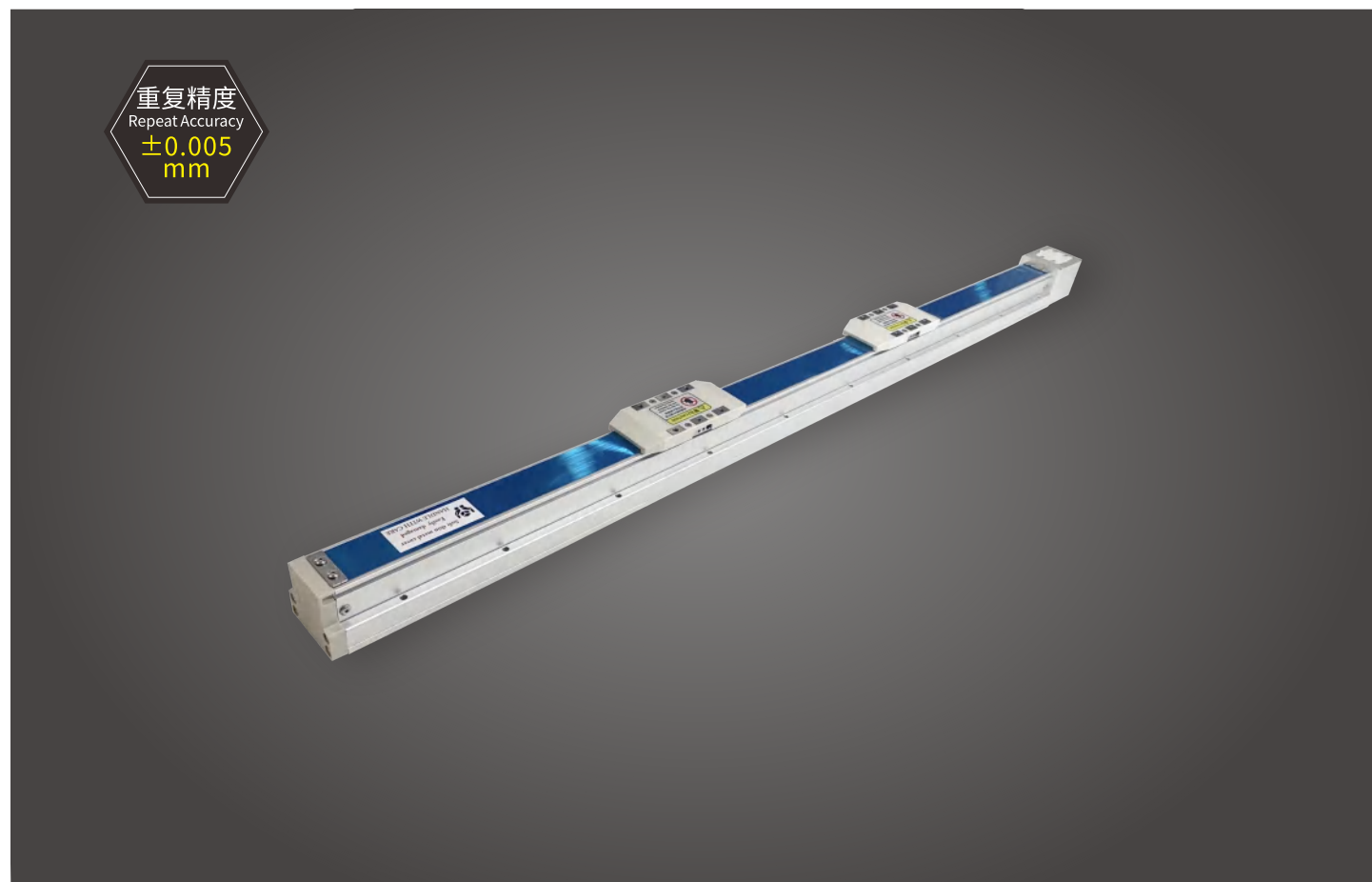
MR 电机外置右侧 Motor external right side

单位:Unit: mm



有效行程 Valid Stroke	25	50 [※]	75	100	125	150	175	200	225	250	275	300	325	350	375	400	425	450
L	514.5	564.5	614.5	664.5	714.5	764.5	814.5	864.5	914.5	964.5	1014.5	1064.5	1114.5	1164.5	1214.5	1264.5	1314.5	1364.5
A	50	100	50	100	50	100	50	100	50	100	50	100	50	100	50	100	50	100
M	3	3	4	4	5	5	6	6	7	7	8	8	9	9	10	10	11	11
N	10	10	12	12	14	14	16	16	18	18	20	20	22	22	24	24	26	26
P	250	300	350	400	450	500	550	600	650	700	750	800	850	900	950	1000	1050	1100
KG	7.16	7.68	8.2	8.72	9.24	9.76	10.28	10.8	11.32	11.84	12.36	12.88	13.4	13.92	14.44	14.96	15.48	16

※行程50时,因本体上锁式固定孔会被滑座遮住,仅能使用4支螺丝固定,建议客户本体使用下锁式固定孔锁附。
※When the stroke is 50mm, if fixing the body from the top to the bottom, the fixing hole will be blocked by slider and only can be uses 4 screws to fix; as a result, suggest that fixing actuator body from the bottom to the top.



重复精度
Repeat Accuracy
±0.005 mm

此图仅供参考, 出货规格详见尺寸图面
This picture for reference only, specs details according with the drawing.

最大行程
Max Stroke 450mm

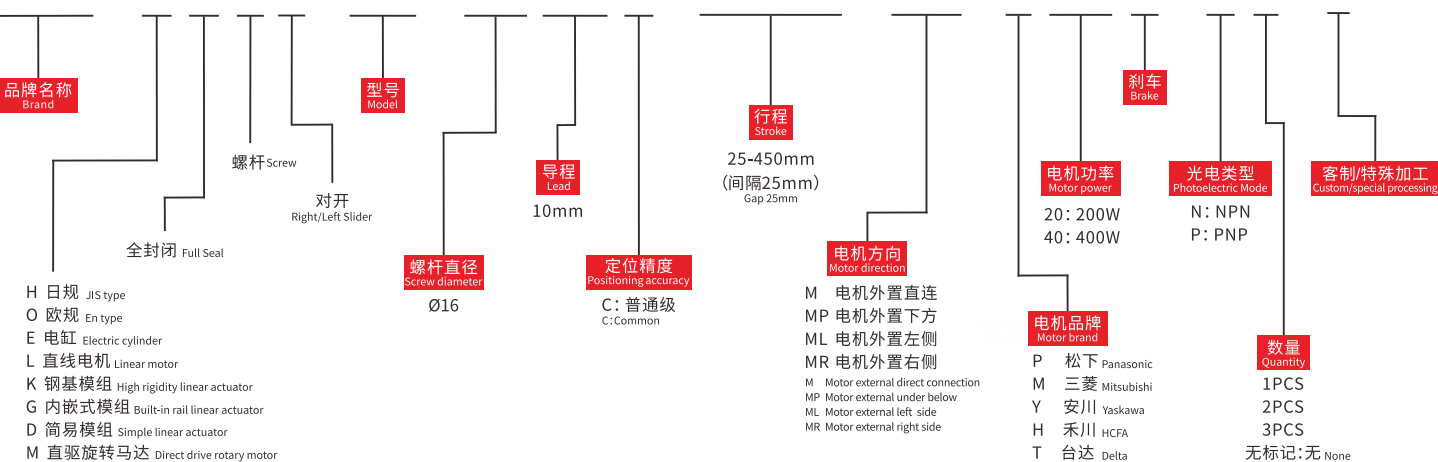
最高速度
Max Speed 500mm/s

马达容量
Motor Output 400W

滚珠螺杆
Ball Screw Ø16mm

型号表达方式 Ordering method

TPA-GCRS-80-1610C-L450-ML-P40B-N3-F

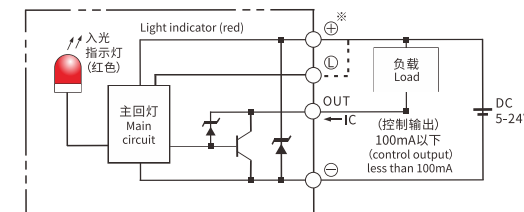


产品性能参数如下 Product performance parameters are as follows

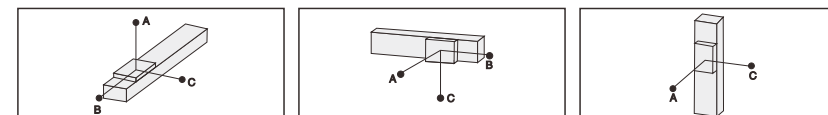
规格 Spec	重复定位精度 (mm) Repeated positioning accuracy (mm)	±0.005
	螺距 (mm) Ball screw lead (mm)	10
	最高速度 (mm/s) ^{※2} Maximum speed (mm/s)	500
	最大可搬重量 Maximum Payload	水平使用 (kg) Horizontal (kg): 30 (双滑座 Dual carriage) 垂直使用 (kg) Vertical (kg): 10 (双滑座 Dual carriage)
部品 Parts	定格推力 (N) Rated thrust (N)	1388
	标准行程 (mm) Stroke pitch (mm)	25~450mm/25mm间隔 25mm Pitch
	AC伺服马达容量 (W) AC servo motor output (w)	400
	滚珠螺杆外径 (mm) Ball screw Ø (mm)	Ø16
	联轴器 (mm) Coupling (mm)	10X14
	原点感应器 Original Sense	外挂 Outside
		TPA-N674-WR

※1 反向同步只能对应导程5。
※1 Dual carriage synchronous movement in reverse direction can only fit at lead of 5mm.
※2 马达加速减速设定0.2秒。
※2 Acceleration and deceleration value is set 0.2 second.

感应器连接图<原点及端点> Sensor layout

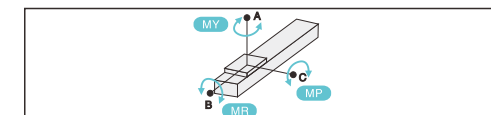


容许负载力矩表 N.m Allowable overhang



水平安装 Horizontal installation	(单位Unit:mm)			侧面安装 Side mounting	(单位Unit:mm)			垂直安装 Vertical installation	(单位Unit:mm)		
	A	B	C		A	B	C		A	B	C
导程 05 Lead	20kg	1560	153	237	20kg	214	153	1435	10kg	331	331
	35kg	890	81	126	35kg	113	81	845	15kg	220	220
	50kg	550	53	82	50kg	74	53	506	-	-	-

静态容许负载惯量 Static loading moment



(单位Unit:N.m)	
MY	318
MP	318
MR	626

*力矩表所表示的数据,代表重心。
The torque value in the chart indicate the center of gravity.
*符合型录规范的正常试用下,保证寿命为10000公里。
Operation life is 10,000km when the product is using under the specified conditions.
*侧吊使用无法套用标准规范,如有需求请咨询我司业务。
The standard specification cannot be applied to the use of inverted crane. Please consult our business if necessary.

搭配伺服马达一览表 Suitable motor brand

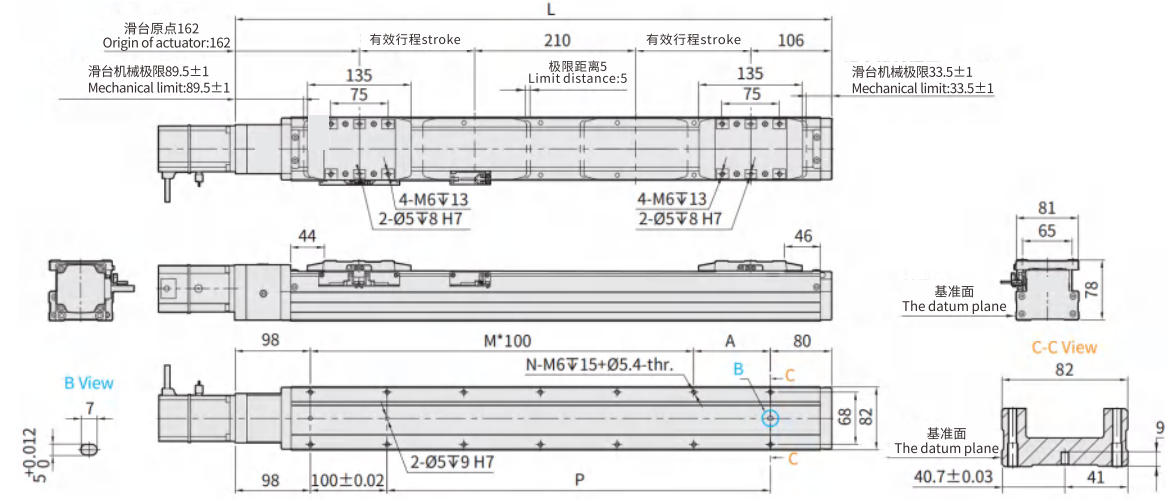
品牌 Brand	马达记号 Mark	刹车有无 Brake	马达容量 Motor capacity	电源电压 AC-Voltage	伺服马达型号 Servo motor model	驱动器型号 Driver Model
三菱 Mitsubishi	M	无刹车(水平式样) No brake (horizontal type)	400	220	HG-KR43	MR-J4-40A
		有刹车(垂直式样) With brakes (vertical type)	400	220	HG-KR43B	MR-J4-40A
松下 Panasonic	P	无刹车(水平式样) No brake (horizontal type)	400	220	MHMD042G1U	MADHT2510
		有刹车(垂直式样) With brakes (vertical type)	400	220	MHMD042G1V	MADHT2510
台达 Delta	T	无刹车(水平式样) No brake (horizontal type)	400	220	ECMA-C20604ES	ASD-B20421-B
		有刹车(垂直式样) With brakes (vertical type)	400	220	ECMA-C20604FS	ASD-B20421-B



电机外置直连/电机外置下方
Motor external direct connection/Motor external under below

M 电机外置直连 Motor external direct connection

单位:Unit: mm



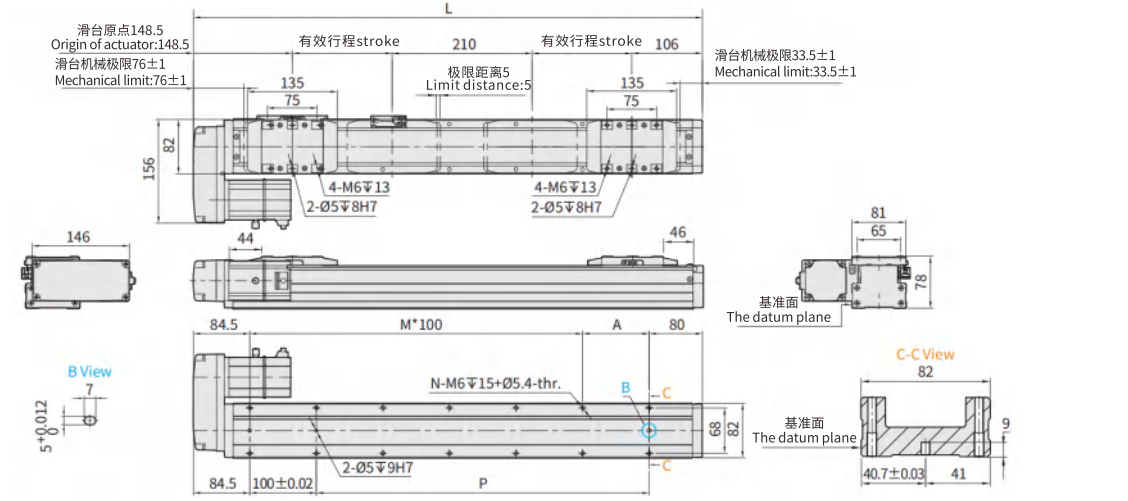
有效行程 Valid Stroke	25	50 [※]	75	100	125	150	175	200	225	250	275	300	325	350	375	400	425	450
L	528	578	628	678	728	778	828	878	928	978	1028	1078	1128	1178	1228	1278	1328	1378
A	50	100	50	100	50	100	50	100	50	100	50	100	50	100	50	100	50	100
M	3	3	4	4	5	5	6	6	7	7	8	8	9	9	10	10	11	11
N	10	10	12	12	14	14	16	16	18	18	20	20	22	22	24	24	26	26
P	250	300	350	400	450	500	550	600	650	700	750	800	850	900	950	1000	1050	1100
KG	6.64	7	7.37	7.73	8.10	8.46	8.83	9.19	9.56	9.92	10.29	10.65	11.02	11.38	11.75	12.11	12.48	12.85

※行程50时,因本体上锁式固定孔会被滑座遮住,仅能使用4支螺丝固定,建议客户本体使用下锁式固定孔锁附。
※When the stroke is 50mm, if fixing the body from the top to the bottom, the fixing hole will be blocked by slider and only can be uses 4 screws to fix; as a result, suggest that fixing actuator body from the bottom to the top.

电机外置左侧/电机外置右侧
Motor external left side/Motor external right side

ML 电机外置左侧 Motor external left side

单位:Unit: mm

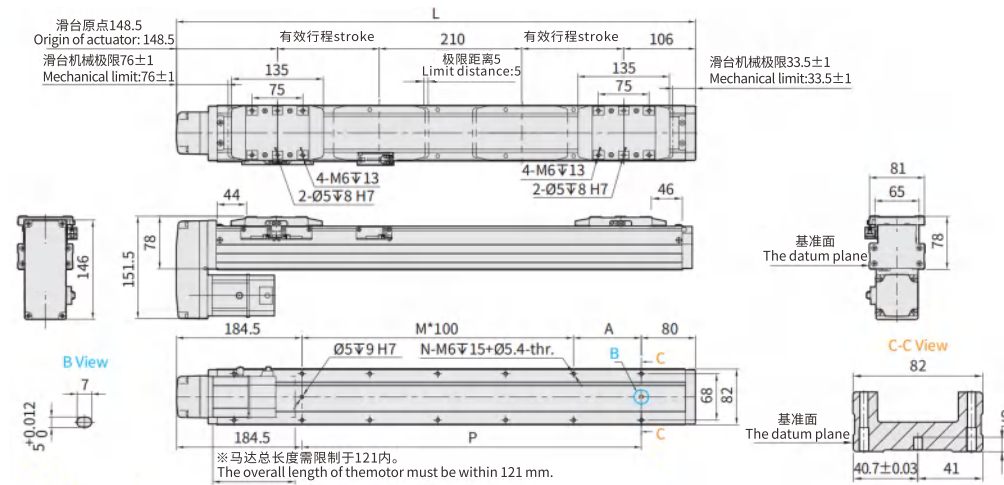


有效行程 Valid Stroke	25	50 [※]	75	100	125	150	175	200	225	250	275	300	325	350	375	400	425	450
L	514.5	564.5	614.5	664.5	714.5	764.5	814.5	864.5	914.5	964.5	1014.5	1064.5	1114.5	1164.5	1214.5	1264.5	1314.5	1364.5
A	50	100	50	100	50	100	50	100	50	100	50	100	50	100	50	100	50	100
M	3	3	4	4	5	5	6	6	7	7	8	8	9	9	10	10	11	11
N	10	10	12	12	14	14	16	16	18	18	20	20	22	22	24	24	26	26
P	250	300	350	400	450	500	550	600	650	700	750	800	850	900	950	1000	1050	1100
KG	7.16	7.68	8.2	8.72	9.24	9.76	10.28	10.8	11.32	11.84	12.36	12.88	13.4	13.92	14.44	14.96	15.48	16

※行程50时,因本体上锁式固定孔会被滑座遮住,仅能使用4支螺丝固定,建议客户本体使用下锁式固定孔锁附。
※When the stroke is 50mm, if fixing the body from the top to the bottom, the fixing hole will be blocked by slider and only can be uses 4 screws to fix; as a result, suggest that fixing actuator body from the bottom to the top.

MP 电机外置下方 Motor external under below

单位:Unit: mm

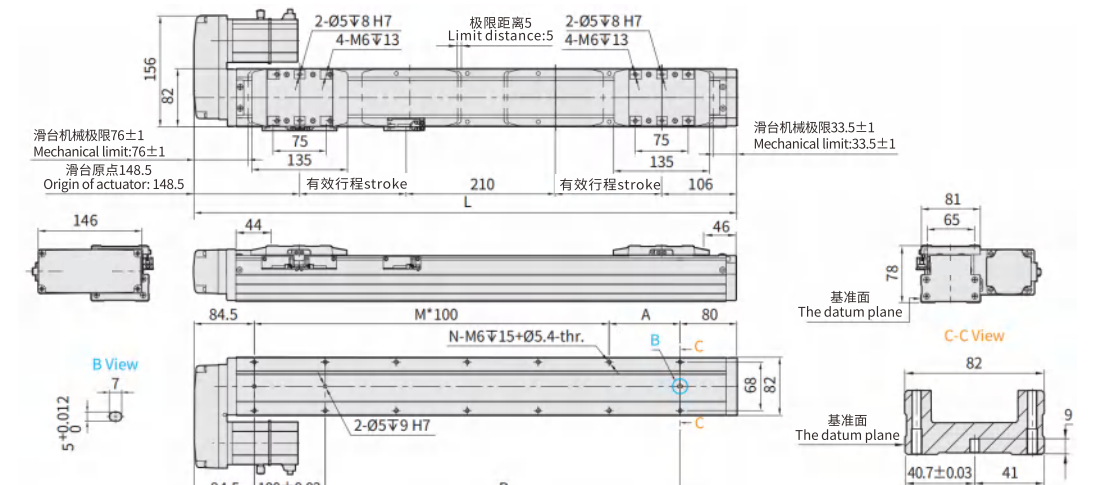


有效行程 Valid Stroke	25	50 [※]	75	100	125	150	175	200	225	250	275	300	325	350	375	400	425	450
L	514.5	564.5	614.5	664.5	714.5	764.5	814.5	864.5	914.5	964.5	1014.5	1064.5	1114.5	1164.5	1214.5	1264.5	1314.5	1364.5
A	50	100	50	100	50	100	50	100	50	100	50	100	50	100	50	100	50	100
M	2	2	3	3	4	4	5	5	6	6	7	7	8	8	9	9	10	10
N	8	8	10	10	12	12	14	14	16	16	18	18	20	20	22	22	24	24
P	250	300	350	400	450	500	550	600	650	700	750	800	850	900	950	1000	1050	1100
KG	7.16	7.68	8.2	8.72	9.24	9.76	10.28	10.8	11.32	11.84	12.36	12.88	13.4	13.92	14.44	14.96	15.48	16

※行程50时,因本体上锁式固定孔会被滑座遮住,仅能使用4支螺丝固定,建议客户本体使用下锁式固定孔锁附。
※When the stroke is 50mm, if fixing the body from the top to the bottom, the fixing hole will be blocked by slider and only can be uses 4 screws to fix; as a result, suggest that fixing actuator body from the bottom to the top.
※马达下折时,若选用刹车马达,或是超出马达总长度限制时无法套用标准PIN孔,如有需求请洽我司业务。
※When motor with brake assembled on lower side, or the total length over than spec limit, it may not use standard pinhole. Please contact our sales department if you need more information & requirement.

MR 电机外置右侧 Motor external right side

单位:Unit: mm



有效行程 Valid Stroke	25	50 [※]	75	100	125	150	175	200	225	250	275	300	325	350	375	400	425	450
L	514.5	564.5	614.5	664.5	714.5	764.5	814.5	864.5	914.5	964.5	1014.5	1064.5	1114.5	1164.5	1214.5	1264.5	1314.5	1364.5
A	50	100	50	100	50	100	50	100	50	100	50	100	50	100	50	100	50	100
M	3	3	4	4	5	5	6	6	7	7	8	8	9	9	10	10	11	11
N	10	10	12	12	14	14	16	16	18	18	20	20	22	22	24	24	26	26
P	250	300	350	400	450	500	550	600	650	700	750	800	850	900	950	1000	1050	1100
KG	7.16	7.68	8.2	8.72	9.24	9.76	10.28	10.8	11.32	11.84	12.36	12.88	13.4	13.92	14.44	14.96	15.48	16

※行程50时,因本体上锁式固定孔会被滑座遮住,仅能使用4支螺丝固定,建议客户本体使用下锁式固定孔锁附。
※When the stroke is 50mm, if fixing the body from the top to the bottom, the fixing hole will be blocked by slider and only can be uses 4 screws to fix; as a result, suggest that fixing actuator body from the bottom to the top.