

Fluid control valve(2/2 way)

2KLA Series (Direct-acting and normally opened)



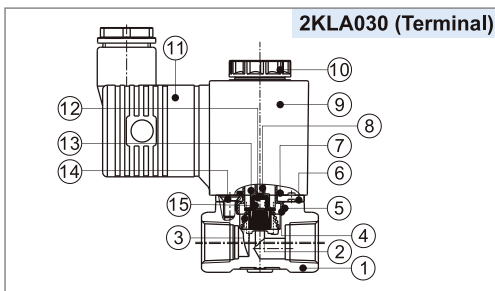
Symbol



Product feature

1. Direct acting and normally opened type 2/2 way solenoid valve. Its high sensibility allows it to change direction quickly;
2. It has wide pressure range, including standard high pressure (H) to choose from;
3. It is compact, small size and light weight. It is easy to install and dismantle.
4. The valve body is made of SUS304 . Its coil has a Heat resistance classification of Class H. The standard seal material is PTFE(Teflon) which is suitable for a variety of working medium such as water with high temperature and vapour.
5. The protection class of the coil is IP65 and there is a choice for grommet or terminal electrical entry .

Inner structure



No.	Item	No.	Item	No.	Item
1	Body	6	Fixed plate	11	Connector
2	Airtight ring	7	O-ring	12	Airtight bush
3	Spring	8	Mandril	13	Electromagnet
4	Steel bushing	9	Coil assembly	14	Screw
5	O-ring	10	Coil nut	15	Spring

Ordering code

Ordering code of valves

2KLA H 030 08 A □ □

① ② ③ ④ ⑤ ⑥ ⑦

① Model	② Pressure condition	③ Size series	④ Port size	⑤ Voltage	⑥ Electrical entry	⑦ Thread type
2KLA: 2/2 way direct-acting and normally opened	H: High pressure Blank: Standard	030: 030 Series	06: 1/8" 08: 1/4"	A: AC220V B: DC24V C: AC110V E: AC24V F: DC12V	Blank: Terminal I: Grommet[Note]	Blank: PT G: G T: NPT
		050: 050 Series	10: 3/8" 15: 1/2"			

[Note] The wire length is 0.5m.

Ordering code of accessories

Ordering code of accessories is the same as 2WA series valve's, Please refer to P19 for details of ordering code.

Specification

Model/Item	Port size [Note1]	Orifice size (Φmm)	Cv	Valid area or section (mm ²)	Weight [Note2](g)	Max. operating pressure differential		Proof pressure	
						MPa	psi	MPa	psi
2KLAH030	-06 1/8"	2.0	0.18	3.0	243.5	1.5	220	3.0	450
	-08 1/4"				233.5				
2KLA030	-06 1/8"	3.0	0.33	6.0	243.5	0.7	100	3.0	450
	-08 1/4"				233.5				
2KLAH050	-10 3/8"	4.0	0.55	10.0	528	1.5	220	3.0	450
	-15 1/2"				508				
2KLA050	-10 3/8"	5.0	0.83	15.0	528	0.7	100	3.0	450
	-15 1/2"				508				

[Note1] PT thread, G thread and NPT thread are available.

[Note2] The weight in the table is the terminal valve's weight, 2KLA030 series grommet valve's weight is 10g less than terminal's. 2KLA050 series grommet valve's weight is 20g less than terminal's.

Specification of coil

Valve type	Coil type	Power type	Frequency (Hz)	Voltage range	Electrical entry	Power Consumption (VA/W)	Insulation	Temp. rise(°C)
2KLA□030	CDA110H CLA110H	AC	50	±15%	Terminal (CDA)	10.0VA	Class H	50
			60			8.0VA		45
		DC	-	±10%		7.0W		50
2KLA□050	CDA160H CLA160H	AC	50	±15%	Grommet (CLA)	25.0VA	Class H	65
			60			22.0VA		60
		DC	-	±10%		10.5W		50

Valve's specification

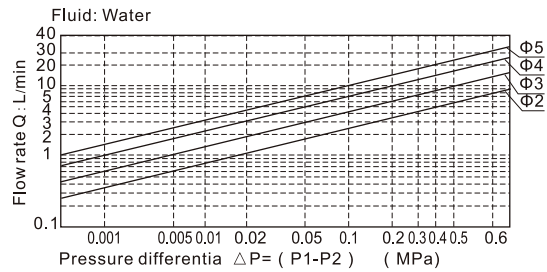
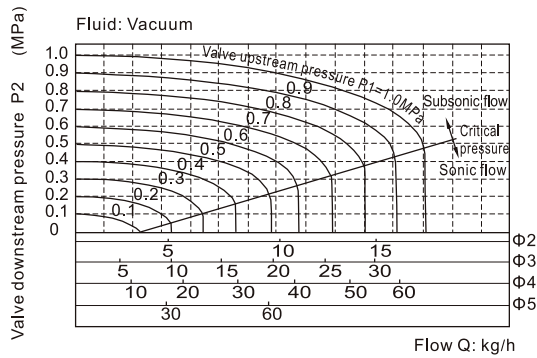
Acting	Direct acting				
	Initial state	Normally opened			
Adaptable fluid	Steam, High temperature Water, Oil				
Viscosity limit	Under 20CST				
Ambient and fluid temperature (°C)	Max.	Oil 150	Water 150	Steam 183	Ambient 100
	Min.	-10 [Note1]	1	-	-20

[Note1] 50CST or less.

Fluid control valve(2/2 way)

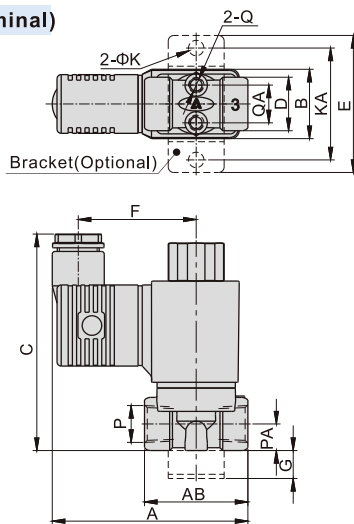
2KLA Series (Direct-acting and normally opened)

Flow chart

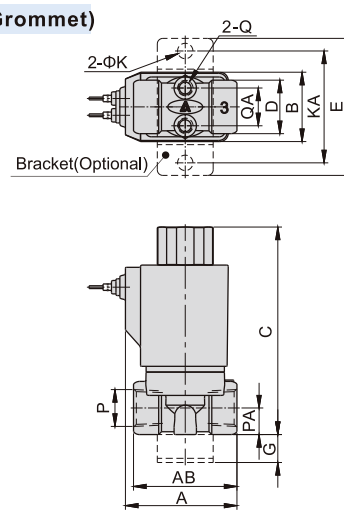


Dimensions

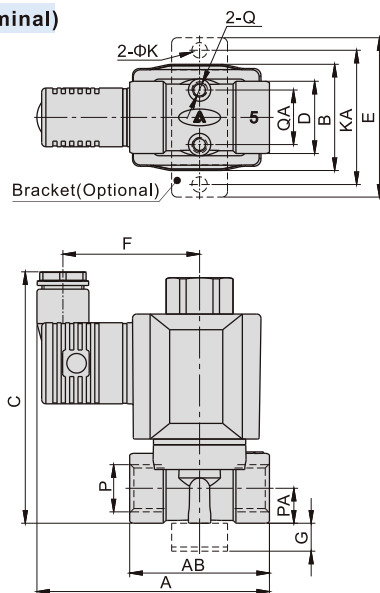
2KLA□030(Terminal)



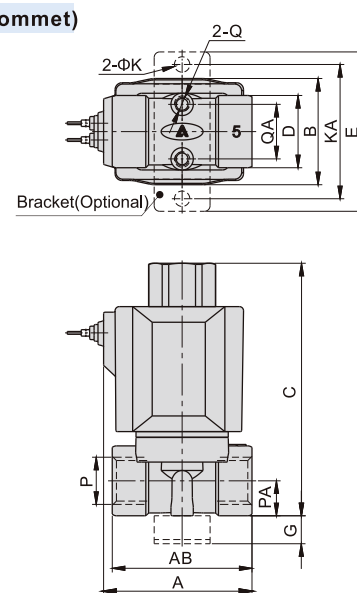
2KLA□030(Grommet)



2KLA□050(Terminal)



2KLA□050(Grommet)



Model\Item	A	AB	B	C	D	E	F	G	K	KA	P	PA	Q	QA
2KLA□030-06	70	37	25	77.5	19	49	42	10	5.5	40	1/8"	9.5	M5	13.5
2KLA□030-08	70	37	25	77.5	19	49	42	10	5.5	40	1/4"	9.5	M5	13.5
2KLA□050-10	83	50	38	90	26	57	49	10	5.5	48	3/8"	12.5	M5	19.5
2KLA□050-15	83	50	38	90	26	57	49	10	5.5	48	1/2"	12.5	M5	19.5

Model\Item	A	AB	B	C	D	E	G	K	KA	P	PA	Q	QA
2KLA□030-06	40	37	25	74	19	49	10	5.5	40	1/8"	9.5	M5	13.5
2KLA□030-08	40	37	25	74	19	49	10	5.5	40	1/4"	9.5	M5	13.5
2KLA□050-10	53	50	38	90	26	57	10	5.5	48	3/8"	12.5	M5	19.5
2KLA□050-15	53	50	38	90	26	57	10	5.5	48	1/2"	12.5	M5	19.5