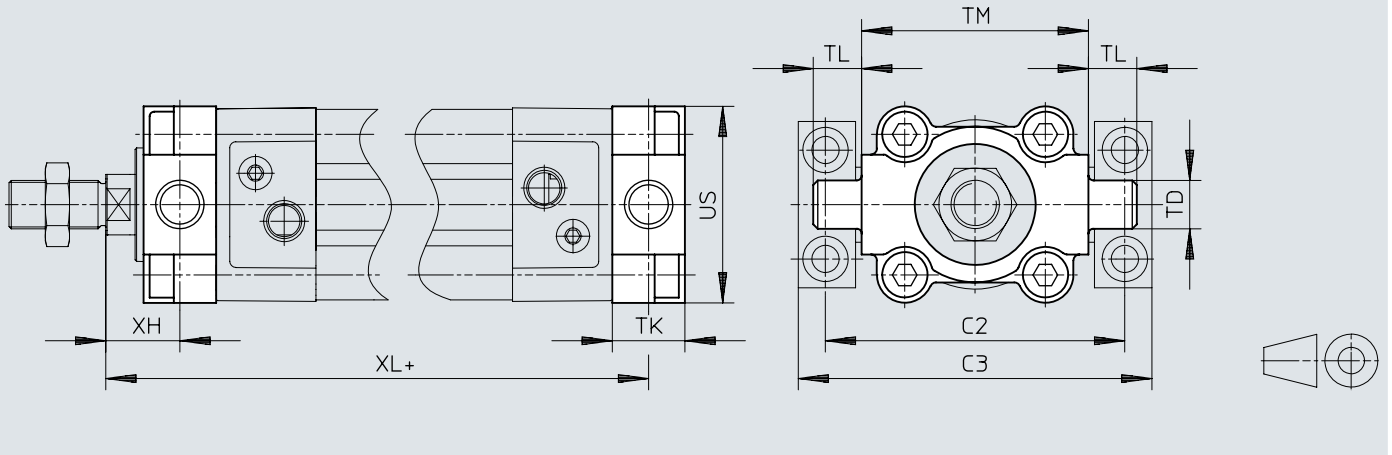


## Dimensions

## Dimensions – Trunnion flange CRZNG

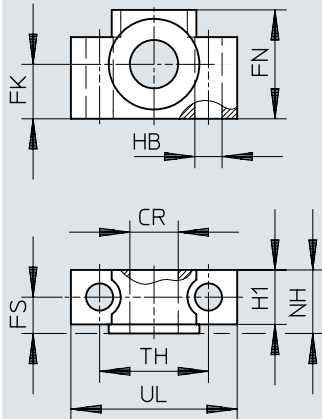
Download CAD data → [www.festo.com](http://www.festo.com)

|           | C2  | C3  | TD<br>∅<br>e9 | TK | TL | TM  | UW  | XH | XL  |
|-----------|-----|-----|---------------|----|----|-----|-----|----|-----|
| CRZNG-32  | 71  | 86  | 12            | 16 | 12 | 50  | 50  | 18 | 128 |
| CRZNG-40  | 87  | 105 | 16            | 20 | 16 | 63  | 55  | 20 | 145 |
| CRZNG-50  | 99  | 117 | 16            | 24 | 16 | 75  | 65  | 25 | 155 |
| CRZNG-63  | 116 | 136 | 20            | 24 | 20 | 90  | 75  | 25 | 170 |
| CRZNG-80  | 136 | 156 | 20            | 28 | 20 | 110 | 100 | 32 | 188 |
| CRZNG-100 | 164 | 189 | 25            | 38 | 25 | 132 | 120 | 32 | 208 |
| CRZNG-125 | 192 | 217 | 25            | 50 | 25 | 160 | 150 | 40 | 250 |

## Dimensions

### Dimensions – Trunnion supports CRLNZG

Download CAD data → [www.festo.com](http://www.festo.com)



|                | CR<br>∅<br>D11 | FK<br>∅<br>±0,1 | FN | FS   | H1   | HB<br>∅<br>H13 | NH   | TH<br>±0,2 | UL |
|----------------|----------------|-----------------|----|------|------|----------------|------|------------|----|
| CRLNZG-32      | 12             | 15              | 30 | 10,5 | 15   | 6,6            | 18   | 32         | 46 |
| CRLNZG-40/50   | 16             | 18              | 36 | 12   | 18   | 9              | 21   | 36         | 55 |
| CRLNZG-63/80   | 20             | 20              | 40 | 13   | 20   | 11             | 23   | 42         | 65 |
| CRLNZG-100/125 | 25             | 25              | 50 | 16   | 24,5 | 14             | 28,5 | 50         | 75 |