



Specification

Model/Item	Power type	Voltage (V)	Frequency (Hz)	Voltage range	Electrical entry	Power Consumption (VA/W)		Insulation	Temp.rise (°C)		
						For NC	For NO		NC	NO	
110 Series	AC	220	50	± 15%	DIN Terminal	10.0VA	15.0VA	Class F	35	50	
			60			8.0VA	11.0VA		30	40	
		110	50			Grommet	10.0VA		15.0VA	35	50
			60				8.0VA		11.0VA	30	40
	24	50		10.0VA	15.0VA	35	50				
		60		8.0VA	11.0VA	30	40				
	DC	24	-	± 10%		6.5W			30	30	
		12									
160 Series	AC	220	50	± 15%	DIN Terminal	25.0VA	35.0VA	Class F	60	65	
			60			22.0VA	30.0VA		55	60	
		110	50			Grommet	25.0VA		35.0VA	60	65
			60				22.0VA		30.0VA	55	60
	24	50		25.0VA	35.0VA	60	65				
		60		22.0VA	30.0VA	55	60				
	DC	24	-	± 10%		12.0W			40	40	
		12									

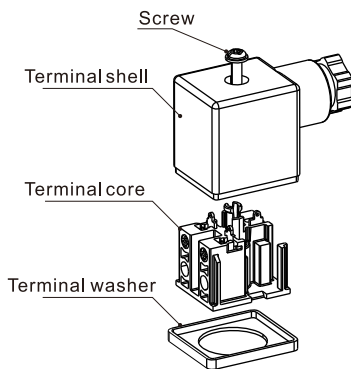
Hookup

Coil's type		Hookup
110 Series	CDA110 (Terminal)	AC
		DC
	CLA110 (Grommet)	AC
		DC
160 Series	CDA160 (Terminal)	AC
		DC
	CLA160 (Grommet)	AC
		DC

How to select coil

Valve type\Coil type	110Series		160 Series	
	Class F	Class H	Class F	Class H
2SA□030 2KSA□030	●	×	×	×
2SA□050 2KSA□050	×	×	●	×
2SA150~250 2KSA150~250	●	×	×	×
2WA□030 2KWA□030	●	×	×	×
2WA□050 2KWA□050	×	×	●	×
2WA150~250 2KWA150~250	●	×	×	×

How to use connector



How to select accessories

Valve type\Accessories type	F-2WA030LB	F-2WA050LB	F-2WA150LB	F-2WA200LB	F-2WA250LB
2SA□030 2KSA□030	●	×	×	×	×
2SA□050 2KSA□050	×	●	×	×	×
2SA150 2KSA150	×	×	●	×	×
2SA200 2KSA200	×	×	×	●	×
2SA250 2KSA250	×	×	×	×	●
2WA□030 2KWA□030	●	×	×	×	×
2WA□050 2KWA□050	×	●	×	×	×
2WA150 2KWA150	×	×	●	×	×
2WA200 2KWA200	×	×	×	●	×
2WA250 2KWA250	×	×	×	×	●

Ordering code of coil

CD A110 A □			
①Coil type	②Coil's bore	③Voltage	④Temperature resistance class
CD: Terminal CL: Grommet	A110: Coil Specification (Bore sizeΦ10.0mm) A160: Coil Specification (Bore sizeΦ16.0mm)	A: AC220V B: DC24V C: AC110V E: AC24V F: DC12V	Blank: F Class H: H Class