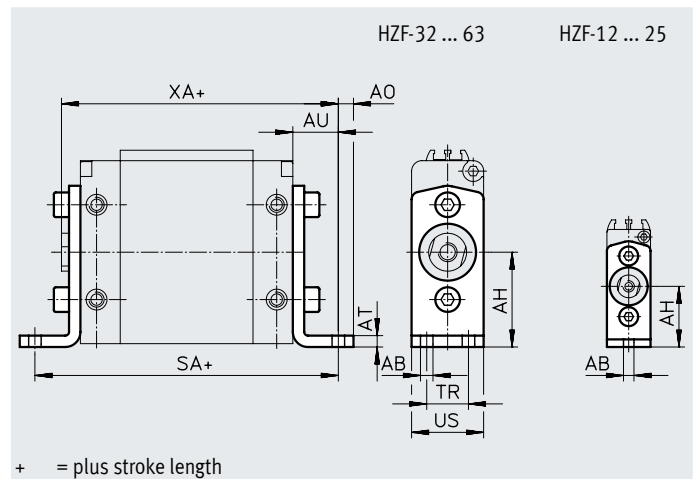


## Accessories

### Foot mounting HZF

Material:  
Steel



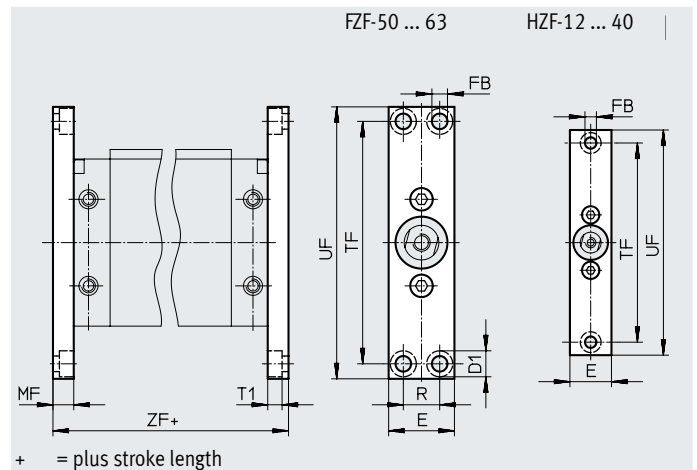
Dimensions and ordering data													
For $\varnothing$	AB $\varnothing$	AH	AO	AT	AU	SA	TR	US	XA	CRC <sup>1)</sup>	Weight [g]	Part no.	Type
12	4.5	25	5	2	13	88	-	14	82	1	21	161804	HZF-12
18	5.5	29	5	2	17	96	-	16	86	1	30	161805	HZF-18
25	5.5	28	6	3	16	94	-	20	86	1	58	161806	HZF-25
32	5.5	32	5.5	3	18	108	13	24	98	1	82	161807	HZF-32
40	5.5	40	7	4	20	116	16	30	105	1	142	161808	HZF-40
50	6.6	50	8	4	24	130	22	38	116	1	249	161809	HZF-50
63	9	63	10	4	27	136	30	50	119	1	436	161810	HZF-63

1) Corrosion resistance class CRC 1 to Festo standard FN 940070

Low corrosion stress. Dry indoor application or transport and storage protection. Also applies to parts behind covers, in the non-visible interior area, and parts which are covered in the application (e.g. drive trunnions).

### Flange mounting FZF

Material:  
Wrought aluminium alloy



Dimensions and ordering data													
For $\varnothing$	D1 $\varnothing$	E	FB $\varnothing$	MF	R	T1	TF	UF	ZF	CRC <sup>1)</sup>	Weight [g]	Part no.	Type
12	8	14	4.5	8	-	4.5	75	90	78	2	23	161811	FZF-12
18	8	16	4.5	8	-	4.5	80	94	78	2	28	161812	FZF-18
25	10	20	5.5	10	-	5.7	100	112	82	2	56	161813	FZF-25
32	11	24	6.6	10	-	6.5	115	130	92	2	78	161814	FZF-32
40	11	30	6.6	10	-	6.3	132	146	96	2	109	161815	FZF-40
50	15	38	9	12	21	8.3	140	157	106	2	167	161816	FZF-50
63	15	50	9	15	33	8.3	140	157	112	2	299	161817	FZF-63

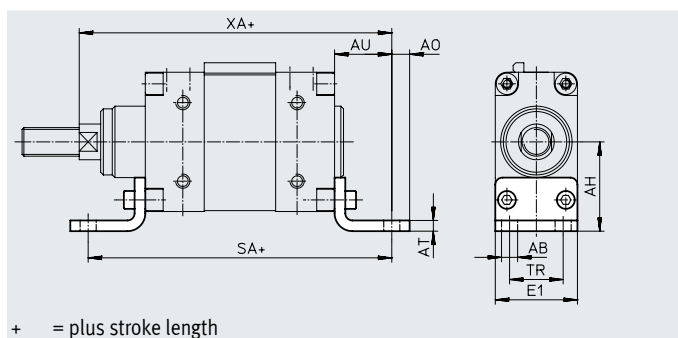
1) Corrosion resistance class CRC 2 to Festo standard FN 940070

Moderate corrosion stress. Indoor applications in which condensation can occur. External visible parts with primarily decorative surface requirements which are in direct contact with a normal industrial environment.

## Accessories

### Foot mounting HZS

Material:  
Steel

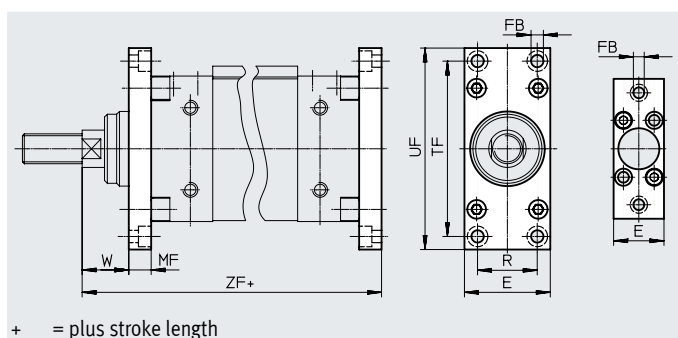


Dimensions and ordering data													
For $\varnothing$	AB $\varnothing$	AH	AO	AT	AU	E1	SA	TR	XA	CRC <sup>1)</sup>	Weight [g]	Part no.	Type
16	4.5	24.5	4	4	21	20	120.5	12	117	1	61	151933	HZS-16
20	4.5	27.5	4	4	21	23	132.5	15	130	1	72	151932	HZS-20
25	5.5	30	5	4	25	26	142.5	16.5	138	1	99	151931	HZS-25
32	7	32	8	4	24	36	142	24	144	1	114	14879	HZS-32
40	9	40	10	5	28	40	161	25	163	1	175	14880	HZS-40
50	9	50	10	6	32	46	170	30	175.5	1	283	14881	HZS-50
63	9	62	15	6	35	54	185	38	190	1	381	14882	HZS-63

1) Corrosion resistance class CRC 1 to Festo standard FN 940070  
Low corrosion stress. Dry indoor application or transport and storage protection. Also applies to parts behind covers, in the non-visible interior area, and parts which are covered in the application (e.g. drive trunnions).

### Flange mounting FZS

Material:  
Wrought aluminium alloy



Dimensions and ordering data													
For $\varnothing$	E	FB $\varnothing$	MF	R	TF	UF	W	ZF	CRC <sup>1)</sup>	Weight [g]	Part no.	Type	
16	21	4.8	10	-	48	60	7.5	106	2	27	151930	FZS-16	
20	24	4.8	10	-	54	70	8.5	119	2	35	151929	FZS-20	
25	27	5.8	10	-	60	75	10.5	123	2	43	151928	FZS-25	
32	36	5.8	10	24	62	75	16	130	2	59	14887	FZS-32	
40	40	5.8	10	28	78	90	20	145	2	76	14888	FZS-40	
50	46	6.8	12	32	94	108	25.5	155.5	2	132	14889	FZS-50	
63	54	6.8	15	40	120	134	25	170	2	248	14890	FZS-63	

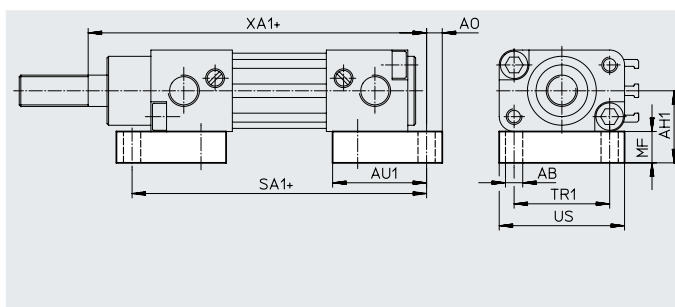
1) Corrosion resistance class CRC 2 to Festo standard FN 940070  
Moderate corrosion stress. Indoor applications in which condensation can occur. External visible parts with primarily decorative surface requirements which are in direct contact with a normal industrial environment.

## Accessories

### Foot mounting HZB

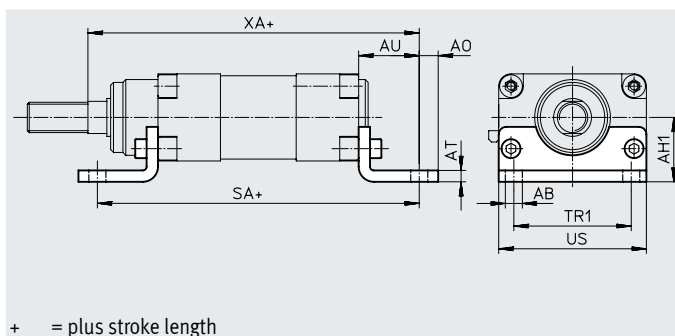
For piston  $\varnothing$  16 ... 25 mm

Material:  
Wrought aluminium alloy



For piston  $\varnothing$  32 ... 63 mm

Material:  
Steel



+ = plus stroke length

#### Dimensions and ordering data

For $\varnothing$	AB $\varnothing$	AH1	AO	AT	AU	AU1	MF	SA	SA1	TR1	US	XA	XA1	CRC <sup>1)</sup>	Weight [g]	Part no.	Type
16	4.5	20	4	-	-	23	10	-	88.5	23	30	-	101	2	48	151936	HZB-16
20	4.5	21.5	4	-	-	26	10	-	100.5	27	35	-	114	2	62	151935	HZB-20
25	5.5	23	5	-	-	30	10	-	104.5	30.5	40	-	119	2	85	151934	HZB-25
32	7	26	8	4	24	-	-	142	-	32	48	144	-	1	139	14875	HZB-32
40	9	29	10	5	28	-	-	161	-	46	62	163	-	1	243	14876	HZB-40
50	9	34	10	6	32	-	-	170	-	62	78	175.5	-	1	426	14877	HZB-50
63	9	38	15	6	35	-	-	185	-	88	104	190	-	1	673	14878	HZB-63

1) Corrosion resistance class CRC 1 to Festo standard FN 940070

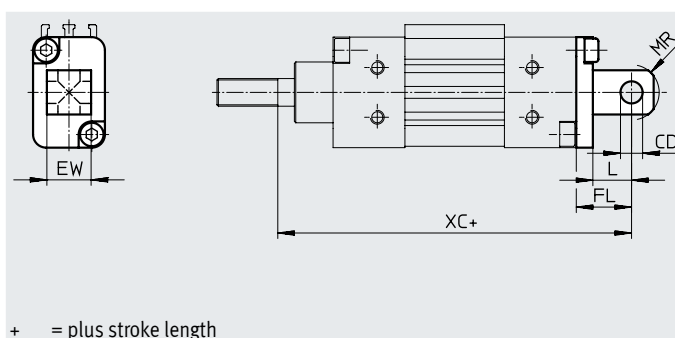
Low corrosion stress. Dry indoor application or transport and storage protection. Also applies to parts behind covers, in the non-visible interior area, and parts which are covered in the application (e.g. drive trunnions).

Corrosion resistance class CRC 2 to Festo standard FN 940070

Moderate corrosion stress. Indoor applications in which condensation can occur. External visible parts with primarily decorative surface requirements which are in direct contact with a normal industrial environment.

### Swivel flange SZSB, narrow/wide for piston $\varnothing$ 16 ... 25 mm

Material:  
High-alloy stainless steel  
Free of copper and PTFE  
RoHS-compliant



+ = plus stroke length

#### Dimensions and ordering data

For $\varnothing$	CD $\varnothing$ H8	EW	FL	L	XC	CRC <sup>1)</sup>	Weight [g]	Part no.	Type
16	4	8	14	8	110	2	27	151927	SZSB-16
20	6	12	16	10	125	2	39	151926	SZSB-20
25	8	16	20	14	133	2	66	151925	SZSB-25

1) Corrosion resistance class CRC 2 to Festo standard FN 940070

Moderate corrosion stress. Indoor applications in which condensation can occur. External visible parts with primarily decorative surface requirements which are in direct contact with a normal industrial environment.