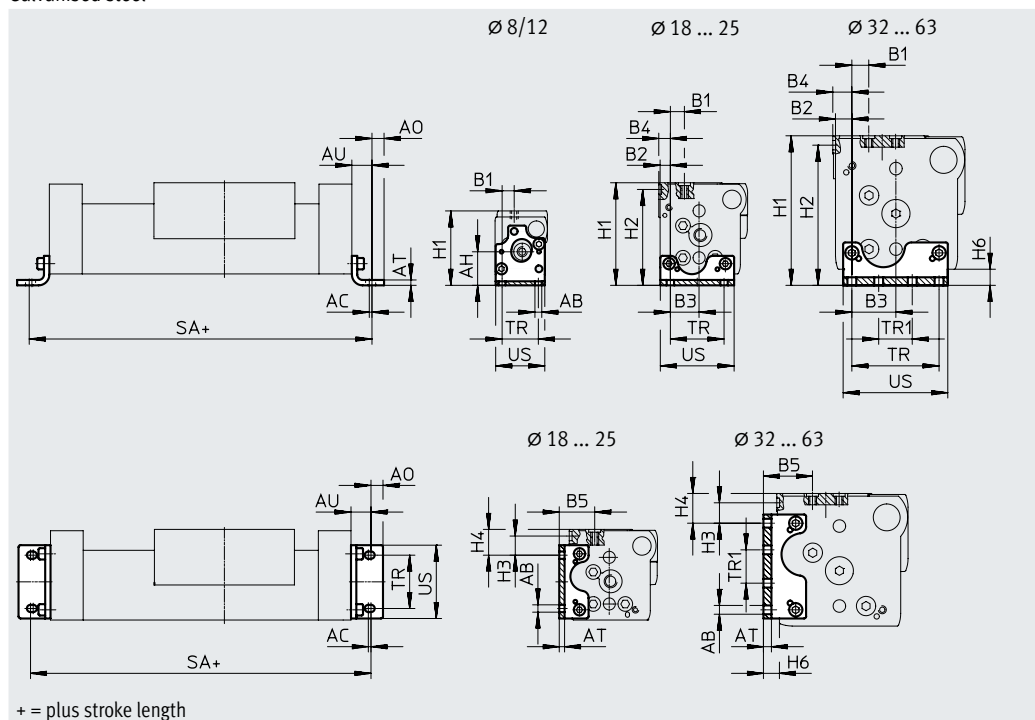


Accessories

Foot mounting HPC
(order code: F)

Material:
Galvanised steel



Dimensions and ordering data

For \varnothing [mm]	AB \varnothing	AC	AH	AO	AT	AU	B1		B2
							G	GF/KF	
8	3.4	1.5	16.7	3	2	9	6	6	–
12	4.5	2	18.5	4.5	2	11.5	5.4	5.4	–
18	5.5	2	–	6.75	3	13.25	15	11.2	4.3
25	5.5	2	–	9	4	15	12.5	13.35	7.65
32	6.6	2	–	10	5	19	11.5	9	9
40	6.6	2	–	10	6	20	7.6	12.6	12.2
50	9	3	–	11	8	25	12.5	12.5	11.5
63	11	3	–	13.5	8	28	17.5	17.5	12.5

For \varnothing [mm]	B3	B4		B5		H1	
		GF	KF	G	GF/KF	G	GF/KF
8	–	–	–	–	–	37	37
12	–	–	–	–	–	42.5	42.5
18	15.2	–	5.3	27	23.2	57.5	64
25	21.35	–	8.65	28.65	29.5	67	76.5
32	29.5	–	10.5	29.5	27	82	87.5
40	32.8	–	14.2	31.8	36.8	100	111.5
50	48.5	11.5	11.5	41	41	137	141.5
63	55.5	6.5	17.5	49	49	159	172.5

Accessories

Dimensions and ordering data							
For ø	H2	H3	H4		H6	SA	
[mm]	GF/KF	GF/KF	G	GF/KF		G/GF/KF	KF-GP
8	–	–	–	–	5	118 _{-0.2}	–
12	–	–	–	–	5	148 _{-0.2}	–
18	59.5	16	14	21.2	7.7	176.5 _{-0.2}	183.5 _{-0.2}
25	71.5	14.35	9.85	19.35	8.5	230 _{-0.2}	235 _{-0.2}
32	82.5	8	7.5	13	9	288 _{-0.2}	288 _{-0.2}
40	104.5	15.3	10.8	22.3	12	340 _{-0.2}	352 _{-0.2}
50	134.5	23.4	25.9	30.4	17	400 _{-0.2}	–
63	164.5	22	24	30	19	456 _{-0.2}	–

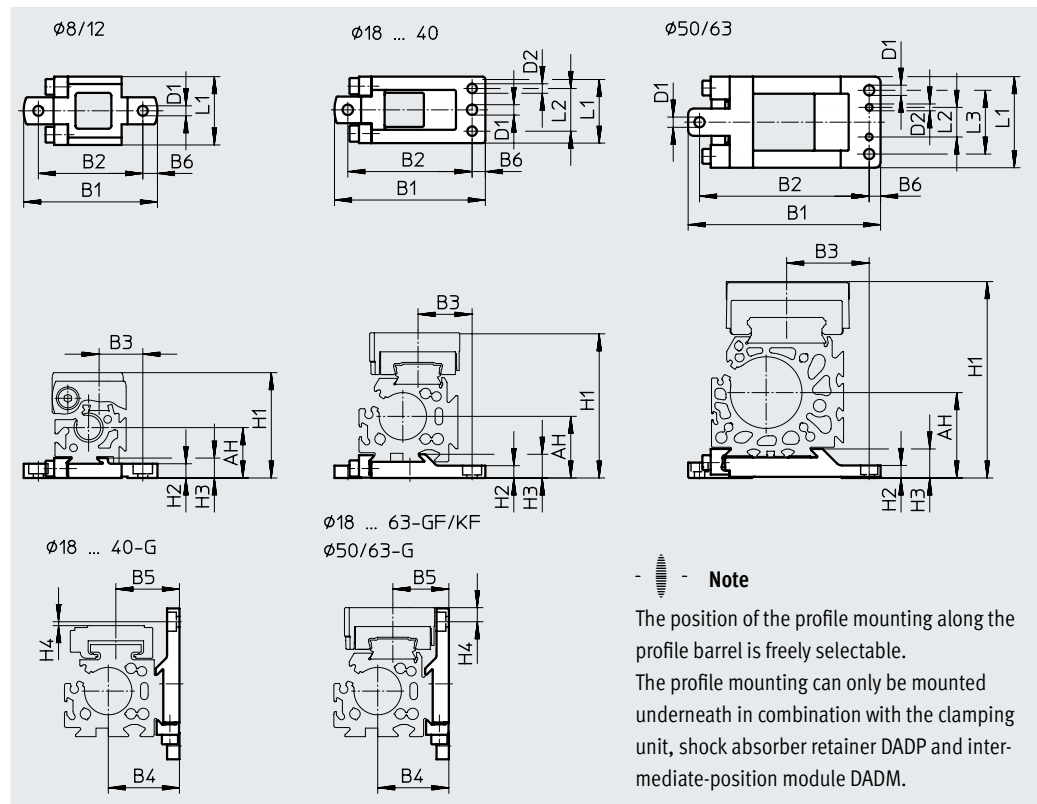
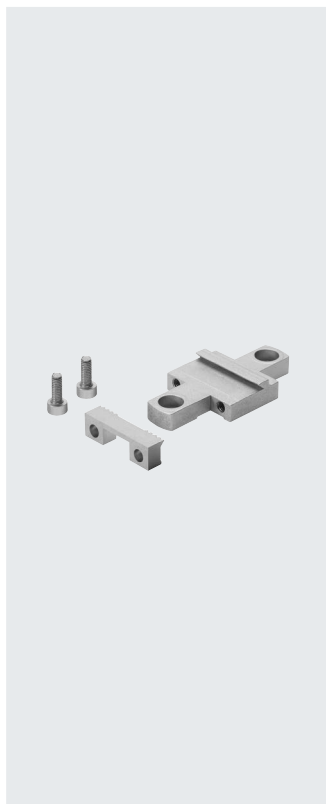
For ø	TR	TR1	US	Weight	Part no.	Type ¹⁾
[mm]	±0.1	±0.1		[g]		
8	18	–	24.4	25	526385	HPC-8
12	20	–	29.6	41	526388	HPC-12
18	30	–	38.6	58	533667	HPC-18
25	40	–	55	131	533668	HPC-25
32	56.5	19.5	68	239	533669	HPC-32
40	65	25	78	348	533670	HPC-40
50	82.6	47.4	102	754	545236	HPC-50
63	111	39	133	1245	545237	HPC-63

1) Suitable for ATEX

Accessories

Profile mounting MUC
(order code: M)

Material:
High-alloy steel



Dimensions and ordering data

For ø [mm]	AH	B1	B2	B3		B4
				G	GF/KF	
8	17.7	47	36.7	15.35	15.35	–
12	18.5	52.5	42.2	16.5	16.5	–
18	27.2	67.8±0.2	56±0.15	30.5	28.7	27.2
25	32.5	79.5±0.2	65.5±0.15	32.5	28.5	37.5
32	37.5	94±0.2	80±0.15	35	35	47.5
40	47	110.5±0.2	96±0.15	43	43	57
50	61	145±0.5	125±0.2	56	56	77
63	75	169±0.5	149±0.2	72.5	72.5	87

For ø [mm]	B5		B6	D1 ø H13	D2 ø H7	H1		
	G	GF/KF				G	GF/KF	1H-PN
8	–	–	5.1	3.5	–	37	37	–
12	–	–	5.1	3.5	–	42.5	42.5	–
18	25	23.2	5.7	5.5	5	57.5	64	–
25	33.5	29.5	7	5.5	5	67	76.5	87.5
32	37	37	7	5.5	5	82	87.5	97.5
40	46.8	46.8	7	6.5	6	100	111.5	125.5
50	61	61	7	9	6	137	141.5	151
63	69	69	10	9	6	159	172.5	–

Accessories

Dimensions and ordering data					
For \varnothing	H2	H3	H4		L1
[mm]			G	GF/KF	
8	5	7	–	–	24
12	4.5	7	–	–	24
18	5.7 _{-0.2}	9.9 \pm 0.1	0.1	6.4	33 \pm 0.1
25	6.5 _{-0.2}	12.5 \pm 0.1	2.07	7.43	35 \pm 0.1
32	6.5 _{-0.2}	13 \pm 0.1	1.5	4	45 \pm 0.1
40	8.5 _{-0.2}	16 \pm 0.1	0.2	11.3	60 \pm 0.1
50	11	23.5	4.7	9.2	80 \pm 0.4
63	11	25.5	1.5	15	80 \pm 0.4

For \varnothing	L2	L3	Weight	Part no.	Type ¹⁾
[mm]	\pm 0.05	\pm 0.2	[g]		
8	–	–	28	526384	MUC-8
12	–	–	32	526387	MUC-12
18	20.5	–	78	531752	MUC-18
25	22.5	–	113	531753	MUC-25
32	30	–	174	531754	MUC-32
40	44	–	346	531755	MUC-40
50	26	56	874	531756	MUC-50
63	26	56	1080	531757	MUC-63

1) Suitable for ATEX