

Fluid control valve(2/2way)

2WA Series (Internally piloted and normally closed)



Symbol

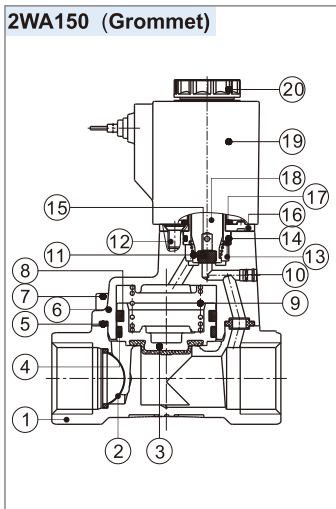


Product feature

1. Indirect acting (Internal pilot) and normally closed type 2/2 way fluid valve. Its can change direction quickly and has large flow.
2. It is compact, small and light weight. Easy to install and dismantle;
3. The valve body is made of brass. The coil has a Heat resistance classification of Class F. The standard seal material is FPM-F. Please contact us if other seal material are required.
4. The protection class of the coil is IP65 and there is a choice for grommet or terminal electrical entry.

Inner structure

2WA150 (Grommet)



No.	Item
1	Body
2	Filter
3	Piston
4	Wear ring
5	O-ring
6	Cover
7	Screw
8	Spring
9	Spring
10	Spacer
11	Spring
12	Screw
13	Steel bushing
14	O-ring
15	Airtight ring
16	Fixed plate
17	O-ring
18	Movable core
19	Coil assembly
20	Coil nut

Specification

Model\Item	Port size [Note1]	Orifice size (Φmm)	Cv	Valid area or section (mm ²)	Weight [Note2](g)	Operating pressure differential		Proof pressure	
						MPa	psi	MPa	psi
2WA150-15	1/2"	15.0	5.50	100.0	575	Max: 1.0 Min: 0.05	Max: 150 Min: 10	1.5	220
2WA200-20	3/4"	20.0	9.50	170.0	735				
2WA250-25	1"	25.0	12.5	220.0	1035				

[Note1] PT thread, G thread and NPT thread are available.

[Note2] The weight in the table is the terminal valve's weight, grommet valve's weight is 10g less than terminal's.

Specification of coil

Valve type	Coil type	Power type	Frequency (Hz)	Voltage range	Electrical entry	Power Consumption (VA/W)	Insulation	Temp. rise(°C)
2WA150	CDA110	AC	50	±15%	Terminal (CDA)	10.0VA	Class F	35
2WA200	CLA110		60			8.0VA		30
2WA250		DC	-	±10%	Grommet (CLA)	6.5W		30

Valve's specification

Acting	Internally piloted				
	Initial state	Normally closed			
Adaptable fluid	Air, Water, Oil				
Viscosity limit	Under 20CST				
Ambient and fluid temperature (°C)		Water	Air	Oil	Ambient
	Max.	80	90	80	70
	Min.	1	-20 [Note1]	-10 [Note2]	-20

[Note1] Dew point: -20(°C) or less ; [Note2] 50CST or less.

Ordering code

Ordering code of valves

2WA 150 15 A □ □

①

②

③

④

⑤

⑥

① Model	② Orifice size	③ Port size	④ Voltage	⑤ Electrical entry	⑥ Thread type
2WA: 2/2 way internally piloted and normally closed	150: Φ15mm	15: 1/2"	A: AC220V B: DC24V	Blank: Terminal I: Grommet [Note]	Blank: PT G: G T: NPT
	200: Φ20mm	20: 3/4"	C: AC110V E: AC24V		
	250: Φ25mm	25: 1"	F: DC12V		

[Note] The wire length is 0.5m.

Ordering code of accessories

F-2WA150 LB

①

②

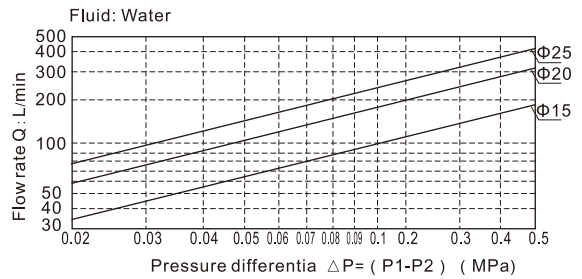
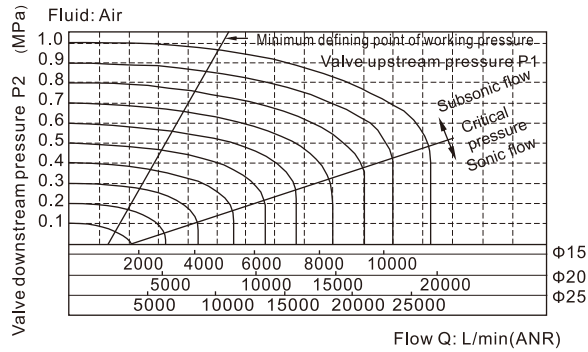
③

① Accessories code	② Valve type	③ Accessories type
F: Mounting accessories	2WA150: 150 Series valve 2WA200: 200 Series valve 2WA250: 250 Series valve	LB: LB Type

Fluid control valve(2/2way)

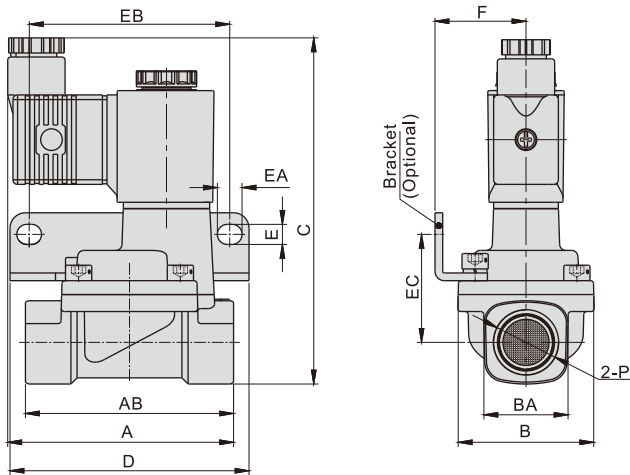
2WA Series (Internally piloted and normally closed)

Flow chart

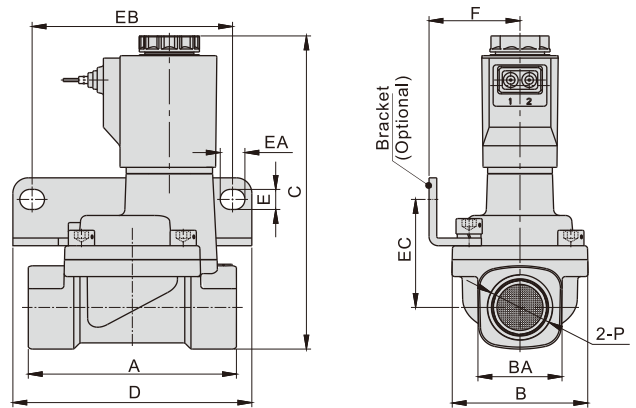


Dimensions

Terminal



Grommet



Model\Item	A	AB	B	BA	C	D	E	EA	EB	EC	F	P
2WA150-15	73.5	67.5	44	27.5	112	77.5	6.5	8	65	35	29.5	1/2"
2WA200-20	75.5	79.5	51	33	119	87.5	6.5	8	75	38	33	3/4"
2WA250-25	77.5	90	57	40	126	93	6.5	8	80	42	35	1"

Model\Item	A	B	BA	C	D	E	EA	EB	EC	F	P
2WA150-15	67.5	44	27.5	102	77.5	6.5	8	65	35	29.5	1/2"
2WA200-20	79.5	51	33.5	109	87.5	6.5	8	75	38	33	3/4"
2WA250-25	90	57	40.5	116	93	6.5	8	80	42	35	1"