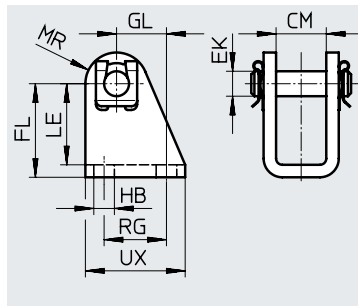


Datasheet

Clevis foot LBN

Material:
Galvanised steel
RoHS-compliant
LABS (PWIS) conformity:
VDMA24364-B1/B2-L



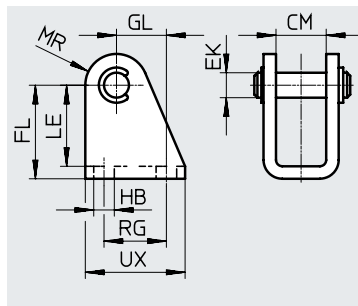
Dimensions and ordering data

For \varnothing	CM	EK \varnothing	FL	GL	HB \varnothing	LE	MR	RG	UX	CRC ¹⁾	Weight [g]	Part no.	Type
8/10	8.1	4	24 +0.3/-0.2	13.8	4.5	21.5	5	12.5	20	1	20	6057	LBN-8/10
12/16	12.1	6	27 +0.3/-0.2	13	5.5	24	7	15	25	1	40	★ 6058	LBN-12/16
20/25	16.1	8	30 +0.4/-0.2	16	6.6	26	10	20	32	1	84	★ 6059	LBN-20/25
32	16.1	10	35 +0.4/-0.2	18.5	6.6	31	11	24	35	1	110	195860	LBN-32
40	18.1	12	40 +0.4/-0.2	24.5	9	35	13	30	45	1	191	195861	LBN-40
50/63	21.1	16	45 +0.5/-0.2	28	9	39	14	34	50	1	300	195862	LBN-50/63

1) More information: www.festo.com/x/topic/crc

Clevis foot CRLBN, stainless steel

Material:
High-alloy steel
RoHS-compliant
LABS (PWIS) conformity:
VDMA24364-B1/B2-L



Dimensions and ordering data

For \varnothing	CM	EK \varnothing	FL	GL	HB \varnothing	LE	MR	RG	UX	CRC ¹⁾	Weight [g]	Part no.	Type
12/16	12.1	6	27 +0.3/-0.2	13	5.5	24	7	15	25	4	39	161862	CRLBN-12/16
20/25	16.1	8	30 +0.4/-0.2	16	6.6	26	10	20	32	4	82	161863	CRLBN-20/25
32	16.1	10	35 +0.4/-0.2	18.5	6.6	31	11	24	35	4	106	195866	CRLBN-32
40	18.1	12	40 +0.4/-0.2	24.5	9	35	13	30	45	4	185	195867	CRLBN-40
50/63	21.1	16	45 +0.5/-0.2	28	9	39	14	34	50	4	293	195868	CRLBN-50/63

1) More information: www.festo.com/x/topic/crc

Datasheet

Clevis foot LN

Material:

∅ 32 ... 50: High-alloy steel

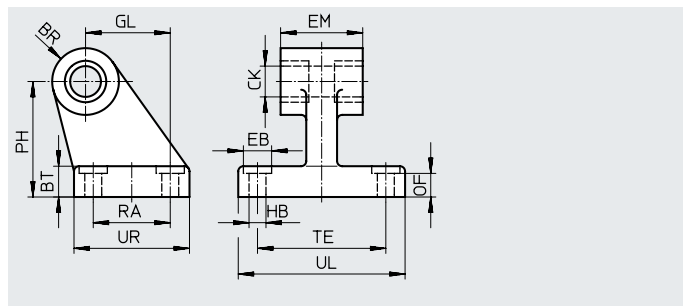
∅ 63 ... 320: Spheroidal graphite cast

iron

RoHS-compliant

LABS (PWIS) conformity:

VDMA24364-B1/B2-L



Dimensions and ordering data

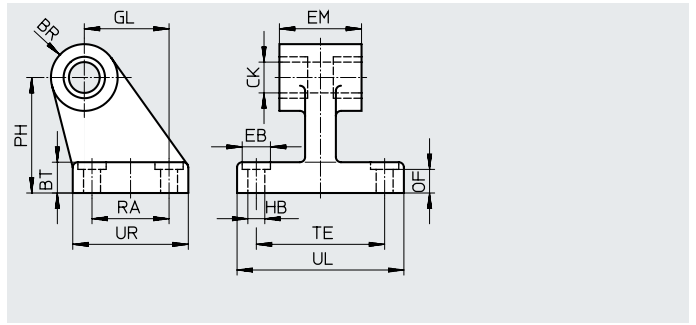
For ∅ [mm]	BR	BT	CK ∅	EB ∅ H13	EM	GL	HB ∅ H13	OF	PH	RA	TE	UL	UR	CRC ¹⁾	Weight [g]	Part no.	Type
32	10	8	10 H9	–	25.8 –0.4	21	5.5	–	32	18	38	51	31	2	149	5147	LN-32
40	11	10	12 H9	–	27.8 –0.4	24	5.5	–	36	22	41	54	35	2	192	5148	LN-40
50	12	12	12 H9	–	31.8 –0.4	33	6.6	–	45	30	50	65	45	2	323	5149	LN-50
63	14.5	12	16 H8	15	40 c11	37	6.6	10.8	50	35	52	67	51	1	545	5150	LN-63
80	14.5	14	16 H8	20	50 c11	47	9	12.7	63	40	66	86	60	1	877	5151	LN-80
100	18.5	15	20 H8	20	60 c11	55	9	13.7	71	50	76	96	70	1	1234	5152	LN-100
125	22	20	25 H8	20	70 c11	70	11	18.6	90	60	94	124	90	1	2632	9036	LN-125
160	31	25	30 H8	20	90 c11	97	14	23.6	115	88	118	156	126	1	6234	9037	LN-160
200	31	30	30 H8	26	90 c11	105	16	28.5	135	90	122	162	130	1	8678	9038	LN-200
250	38.5	35	40 H8	33	110 c11	128	22	33.5	165	110	150	200	160	1	14385	9039	LN-250
320	44.5	40	45 H8	40	120 c11	150	26	38.3	200	122	170	234	186	1	22404	9040	LN-320

1) More information: www.festo.com/x/topic/crc

Datasheet

Clevis foot LNG With plain bearing

Material:
 ∅ 32 ... 50: High-alloy steel
 ∅ 63 ... 200: Spheroidal graphite cast iron
 RoHS-compliant
 LABS (PWIS) conformity:
 VDMA24364-B2-L



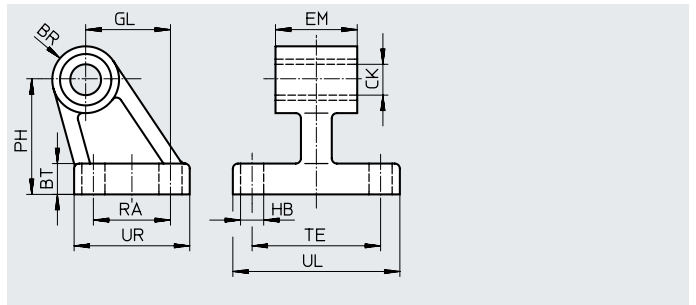
Dimensions and ordering data

For ∅ [mm]	BR	BT	CK ∅ D11	EB ∅ H13	EM	GL	HB ∅ H13	OF	PH	RA	TE	UL	UR	CRC ¹⁾	Weight [g]	Part no.	Type
32	10	8	10	–	25.8–0.4	21	6.6	–	32	18	38	51	31	2	133	★ 33890	LNG-32
40	11	10	12	–	27.8–0.4	24	6.6	–	36	22	41	54	35	2	161	★ 33891	LNG-40
50	12	12	12	–	31.8–0.4	33	9	–	45	30	50	65	45	2	281	★ 33892	LNG-50
63	15	12	16	15	40 c11	37	9	10.8	50	35	52	67	50	1	486	★ 33893	LNG-63
80	15	14	16	18	50 c11	47	11	12.7	63	40	66	86	60	1	805	★ 33894	LNG-80
100	19	15	20	18	60 c11	55	11	13.7	71	50	76	96	70	1	1141	33895	LNG-100
125	22	20	25	20	70 c11	70	14	18.6	90	60	94	124	90	1	2545	33896	LNG-125
200	31	30	30	26	90 c11	105	18	28.5	135	90	122	162	130	1	8630	33898	LNG-200

1) More information: www.festo.com/x/topic/crc

Clevis foot CRLNG, stainless steel

Material:
 Cast stainless steel
 LABS (PWIS) conformity:
 VDMA24364-B2-L



Dimensions and ordering data

For ∅ [mm]	BR	BT	CK ∅ D11	EM	GL	HB ∅ H13	PH	RA	TE	UL	UR	CRC ¹⁾	Weight [g]	Part no.	Type	
32	10	8	10	–0.4	25.8	21	6.6	32	18	38	51	31	4	133	161840	CRLNG-32
40	11	10	12	–0.4	27.8	24	6.6	36	22	41	54	35	4	161	161841	CRLNG-40
50	12	12	12	–0.4	31.8	33	9	45	30	50	65	45	4	281	161842	CRLNG-50
63	15	12	16	–0.4	39.8	37	9	50	35	52	67	50	4	370	161843	CRLNG-63
80	15	14	16	–0.4	49.8	47	11	63	40	66	86	60	4	562	161844	CRLNG-80
100	19	15	20	–0.4	59.8	55	11	71	50	76	96	70	4	915	161845	CRLNG-100
125	22	20	25	–0.4	69.8	70	14	90	60	94	124	90	4	2539	176951	CRLNG-125

1) More information: www.festo.com/x/topic/crc

Datasheet

Clevis foot LBG/LBG-...-R3

The pivot pin is secured against rotation with a spring pin.

Material:

LBG 32 ... 63: Stainless steel casting

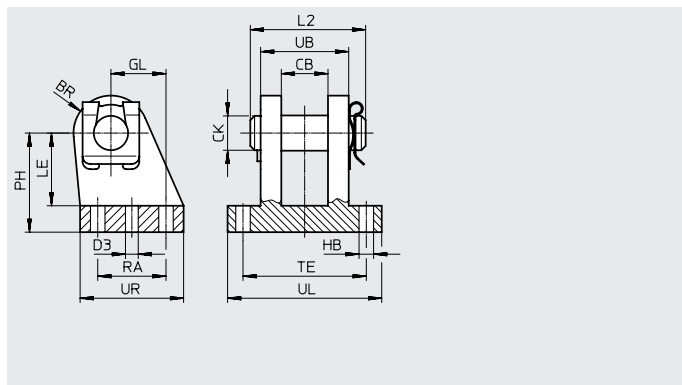
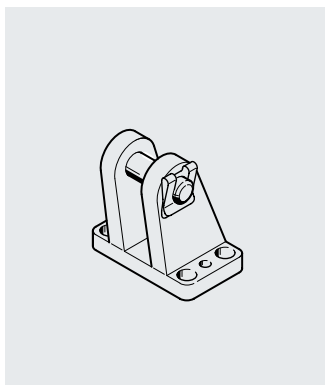
LBG 80 ... 125: Spheroidal graphite cast iron

LBG-...-R3: High-alloy stainless steel

RoHS-compliant

LABS (PWIS) conformity:

VDMA24364-B2-L



Dimensions and ordering data

For \varnothing [mm]	BR		CB	CK \varnothing	D3 \varnothing	GL	HB \varnothing	L2	LE	PH	RA	TE	UB	UL	UR
		[R3]													
32	12	12	14.1	10	4.8	16	6.8	35	24	32	20	42	28	56	36
40	14	14	16.1	12	5.8	20	6.8	39	26	36	26	44	30	58	41.5
50	15	15	21.1	16	5.8	25	9.2	50	33	45	31	56	40	70	47
63	17	17	21.1	16	7.8	25	9.2	50	38	50	31	56	40	70	49
80	17	17	25.1	20	7.8	30	11	60	49	63	36	70	50	89	55
100	20	22	25.1	20	9.8	41	11	60	56	71	46	70	50	89	65
125	25	25	37.2	30	11.8	60	14	89	70	90	70	106	80	128	96

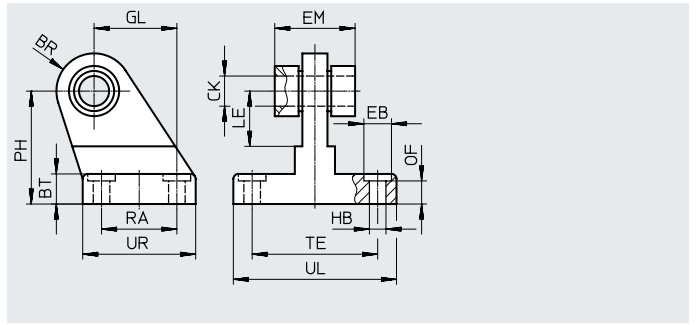
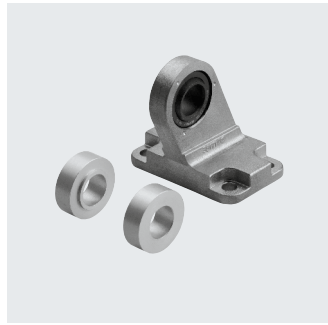
For \varnothing [mm]	Basic version CRC ¹⁾				R3 – High corrosion protection CRC ¹⁾			
	Weight [g]	Part no.	Type	Weight [g]	Part no.	Type		
32	220	31761	LBG-32	220	2078790	LBG-32-R3		
40	300	31762	LBG-40	300	2078792	LBG-40-R3		
50	540	31763	LBG-50	540	2078794	LBG-50-R3		
63	580	31764	LBG-63	580	2078795	LBG-63-R3		
80	1050	31765	LBG-80	1050	2078797	LBG-80-R3		
100	1375	31766	LBG-100	1375	2078799	LBG-100-R3		
125	4140	31767	LBG-125	4140	2078837	LBG-125-R3		

1) More information: www.festo.com/x/topic/crc

Datasheet

Clevis foot LSN with spherical bearing

Material:
 Ø 32 ... 50: High-alloy steel
 Ø 63 ... 320: Spheroidal graphite cast iron
 RoHS-compliant
 LABS (PWIS) conformity:
 VDMA24364-B2-L



Dimensions and ordering data

For Ø	BR	BT	CK Ø	EB Ø	EM	GL	HB Ø	LE	OF
[mm]	-1								
32	13	10	10 -0.008	10	25.8	21	5.5	16	4.5
40	15	10	12 -0.008	10	27.8	24	5.5	20	4.3
50	15	12	12 -0.008	11	31.8	33	6.6	22	5.2
63	20	12	16 -0.008	11	39.8	37	6.6	30	5.2
80	20	14	16 -0.008	15	49.8	47	9	31	5
100	24	15	20 -0.010	15	59.8	55	9	38	6
125	33	20	25 -0.010	22	69.8	70	11	-	18
160	36	25	30 -0.010	26	89.8	97	13.5	-	22
200	36	30	30 -0.010	30	89.8	105	16	-	27
250	43	35.5	40 -0.010	40	109.5	128	22	-	32
320	54	40.7	45 -0.010	48	119.8	150	26	-	37

For Ø	PH	RA	TE	UL	UR	CRC ¹⁾	Weight	Part no.	Type
[mm]	±0.5						[g]		
32	32	18	38	51	31	2	162	5561	LSN-32
40	36	22	41	54	35	2	219	5562	LSN-40
50	45	30	50	65	45	2	366	5563	LSN-50
63	50	35	52	67	50	1	471	5564	LSN-63
80	63	40	66	86	60	1	753	5565	LSN-80
100	71	50	76	96	70	1	1169	5566	LSN-100
125	90	60	94	124	90	1	2705	6987	LSN-125
160	115	88	118	156	126	1	5656	6988	LSN-160
200	135	90	122	162	130	1	7389	6989	LSN-200
250	165	110	150	200	160	1	13386	6990	LSN-250
320	200	122	170	234	186	1	21620	6991	LSN-320

1) More information: www.festo.com/x/topic/crc

Datasheet

Clevis foot LSNG with spherical bearing

Material:

∅ 32 ... 50:

High-alloy steel

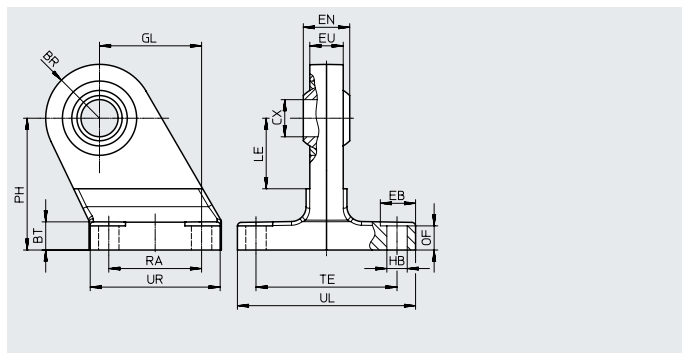
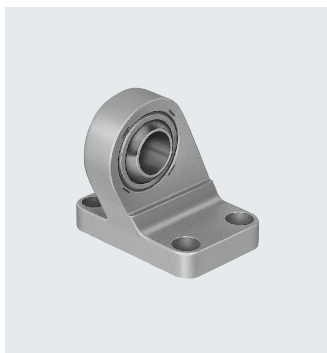
∅ 63 ... 200:

Spheroidal graphite cast iron

RoHS-compliant

LABS (PWIS) conformity:

VDMA24364-B2-L



Dimensions and ordering data

For ∅	BR	BT	CN ∅	EB ∅	EN	EU	GL	HB ∅	OF
[mm]				+0.5	-0.1	-0.2	js14	H13	
32	15	10 ±0.2	10 +0.013	–	14	10.5	21	6.6	8.5 +0.8
40	17	10 ±0.2	12 +0.015	–	16	12	24	6.6	8.5 +0.8
50	20	12 ±0.2	16 +0.015	–	21	15	33	9	10.5 +0.8
63	21+1.5/-0.5	12 ±0.6	16 +0.015	–	21	15	37	9	10.5 +0.8
80	26+1.5/-0.5	14 ±0.6	20 +0.018	–	25	18	47	11	12 +0.8
100	29	15 ±0.6	20 +0.018	–	25	18	55	11	13 +0.8
125	39	20 ±0.7	30 +0.018	20	37	25	70	14	17 +1
160	42	25 ±0.7	35 +0.021	20	43	28	97	14	21 +1
200	42	30 ±0.7	35 +0.021	26	43	28	105	18	26.5 +1

For ∅	PH	RA	TE	UL	UR	CRC ¹⁾	Weight	Part no.	Type
[mm]	js14	js14	js14				[g]		
32	32	18	38	51	31	2	172	31740	LSNG-32
40	36	22	41	54	35	2	228	31741	LSNG-40
50	45	30	50	65	45	2	416	31742	LSNG-50
63	50	35	52	67 ⁺¹	50 ⁺¹	1	541	31743	LSNG-63
80	63	40	66	86 ⁺¹	60 ⁺¹	1	997	31744	LSNG-80
100	71	50	76	96 ₋₁	70 ₋₁	1	1358	31745	LSNG-100
125	90	60	94	124 ₋₁	90 ₋₁	1	3071	31746	LSNG-125
160	115	88	118	156 ₋₁	126 ₋₁	1	6001	152599	LSNG-160
200	135	90	122	162 ₋₁	130 ₋₁	1	7368	152600	LSNG-200

1) More information: www.festo.com/x/topic/crc

Datasheet

Clevis foot LSNSG

Weldable,
with spherical bearing

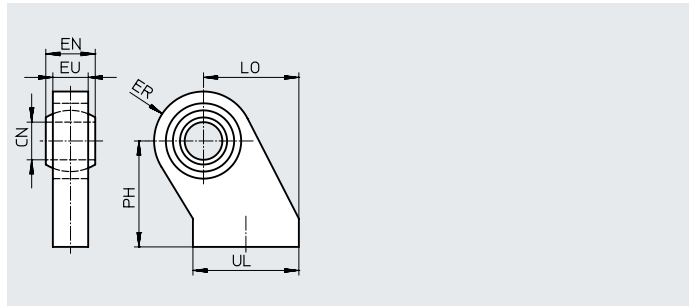
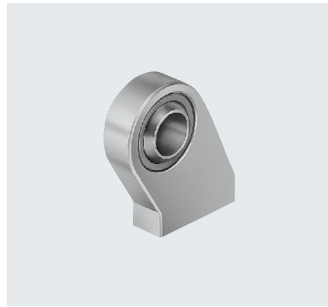
Material:

∅ 32 ... 125: Galvanised steel

RoHS-compliant

LABS (PWIS) conformity:

VDMA24364-B1/B2-L



Dimensions and ordering data

For ∅	CN ∅	EN	ER	EU	LO	PH	UL	CRC ¹⁾	Weight	Part no.	Type
[mm]		-0.1	±0.5		±0.5	js15			[g]		
32	10 +0.013	14	15.5	10±0.3	27.5	32	28.5	1	105	31747	LSNSG-32
40	12 +0.015	16	17.5	12±0.3	30.5	36	33.5	1	160	31748	LSNSG-40
50	16 +0.015	21	20.5	15±0.3	40.5	45	43.5	1	300	31749	LSNSG-50
63	16 +0.015	21	22.5	15±0.3	44.5	50	48	1	370	31750	LSNSG-63
80	20 +0.018	25	28.5	18±0.5	57	63	58	1	700	31751	LSNSG-80
100	20 +0.018	25	29.5	18±0.5	65	71	67.5	1	830	31752	LSNSG-100
125	30 +0.018	37	39.5	25±0.5	85	90	87.5	1	1960	31753	LSNSG-125

1) More information: www.festo.com/x/topic/crc

Datasheet

Right-angle clevis foot LQG

The pivot pin is secured against rotation with a spring pin.

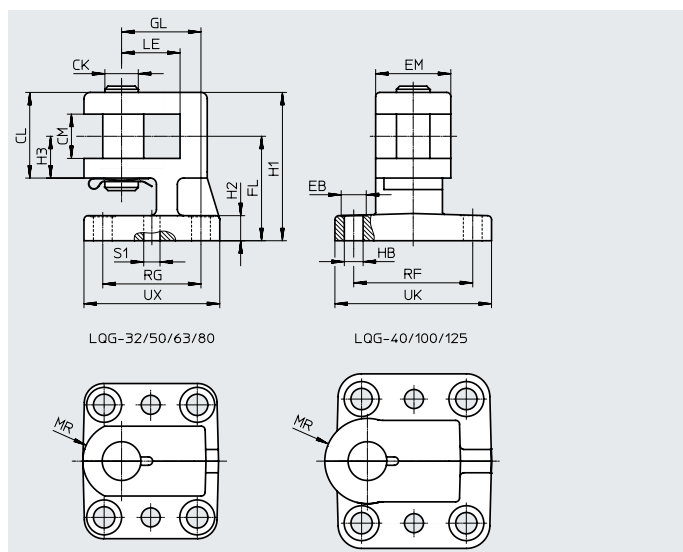
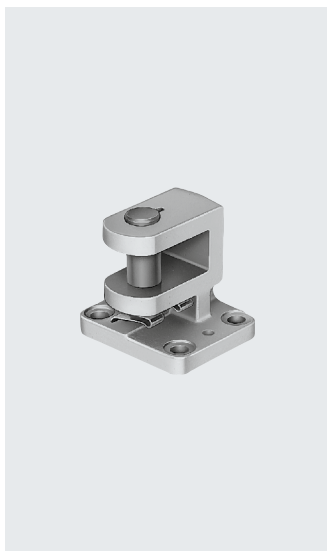
Material:

Spheroidal graphite cast iron

RoHS-compliant

LABS (PWIS) conformity:

VDMA24364-B1/B2-L



Dimensions and ordering data											
For \varnothing [mm]	CK \varnothing h9	CL	CM +0.2	EB \varnothing	EM	FL	GL	H1	H2	H3	HB \varnothing
32	10	27	14.2	11	25	32 ±0.3	22 ±0.3	45 ±0.5	9	14	6.6
40	12	31	16.2	11	25	36 js14	22 js14	52 ±0.5	9	15	6.6
50	16	41	21.2	15	32	45 js14	36 js14	66 ±0.5	9	20	9
63	16	41	21.2	15	36	50 js14	38 js14	71	12	20	9
80	20	51	25.1	18	36	63 js14	39 js14	89	14	25	11
100	20	51	25.1	18	42	71 js14	51 js14	97	14	25	11
125	30	80	37.1	19	50	90 ±0.4	60 js14	130	20	40	14

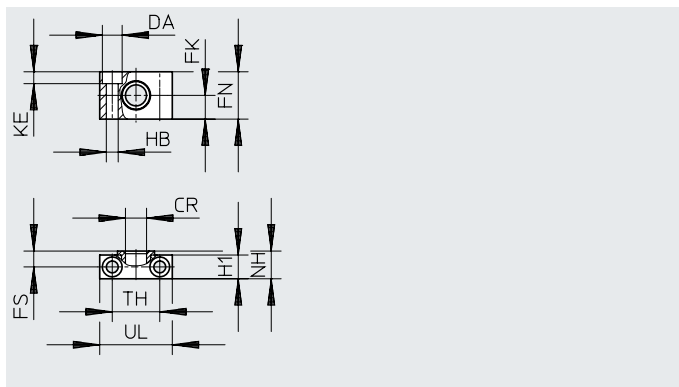
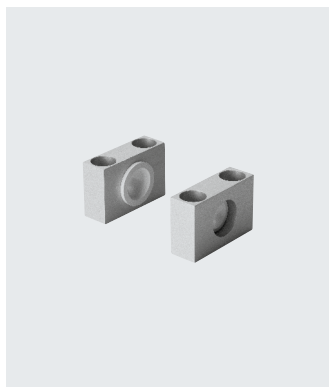
For \varnothing [mm]	LE	MR	RF	RG	S1 \varnothing	UK	UX	CRC ¹⁾	Weight [g]	Part no.	Type
32	18	12.5	40 ±0.3	29 ±0.3	4.8	56	45	1	301	31768	LQG-32
40	22	15	40 js14	29 js14	5.8	56	45	1	369	31769	LQG-40
50	28	18	52 js14	40 js14	5.8	70	58	1	706	31770	LQG-50
63	28	18	57 js14	47 js14	7.8	75	65	1	784	31771	LQG-63
80	31	20	58 js14	48 js14	9.8	80	70	1	1125	31772	LQG-80
100	34	22	64 js14	54 js14	9.8	90	80	1	1492	31773	LQG-100
125	38	32	104 js14	70 js14	11.5	130	96	1	3774	31774	LQG-125

1) More information: www.festo.com/x/topic/crc

Datasheet

Trunnion support LNZG

Material:
 Trunnion support:
 Ø 32 ... 125: Anodised aluminium
 Ø 160 ... 320: Galvanised steel
 Plain bearing:
 Ø 32 ... 200: Plastic
 Ø 250 ... 320: Sintered bronze RoHS compliant
 LABS (PWIS) conformity:
 VDMA24364-B2-L



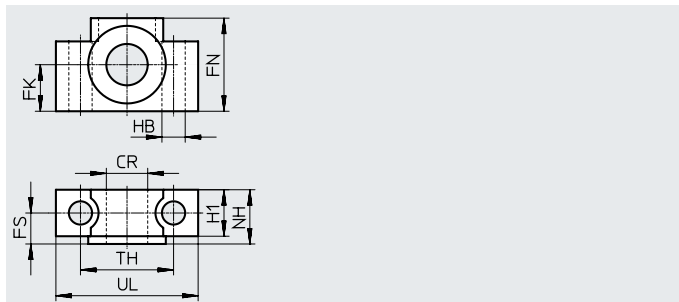
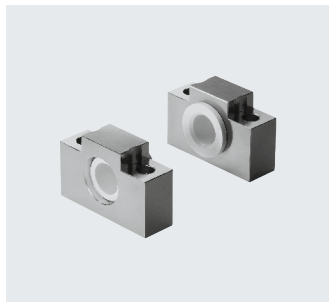
Dimensions and ordering data

For Ø [mm]	CR Ø	DA Ø H13	FK Ø	FN	FS	H1	HB Ø H13	KE	NH	TH	UL	CRC ¹⁾	Weight [g]	Part no.	Type
32	12 D11	11	15 ±0.1	30	10.5	15	6.6	6.8	18	32 ±0.2	46	2	83	32959	LNZG-32
40/50	16 D11	15	18 ±0.1	36	12	18	9	9	21	36 ±0.2	55	2	129	32960	LNZG-40/50
63/80	20 D11	18	20 ±0.1	40	13	20	11	11	23	42 ±0.2	65	2	178	32961	LNZG-63/80
100/125	25 D11	20	25 ±0.1	50	16	24.5	14	13	28.5	50 ±0.2	75	2	306	32962	LNZG-100/125
160/200	32 D11	26	30 ±0.2	60	22.5	36	18	17	40	60 ±0.3	92	2	659	35780	LNZG-160/200
250	40 G7	33	35 ±0.2	70	27.5	45	22	21.5	50	90 ±0.3	140	2	2218	157516	LNZG-250
320	50 G7	40	40 ±0.2	80	32.5	55	26	21.5	60	100 ±0.3	150	2	2934	157517	LNZG-320

1) More information: www.festo.com/x/topic/crc

Trunnion support CRLNZG, stainless steel

Material:
 High-alloy steel
 RoHS-compliant
 LABS (PWIS) conformity:
 VDMA24364-B2-L



Dimensions and ordering data

For Ø [mm]	CR Ø D11	FK Ø ±0.1	FN	FS	H1	HB Ø H13	NH	TH ±0.2	UL	CRC ¹⁾	Weight [g]	Part no.	Type
32	12	15	30	10.5	15	6.6	18	32	46	4	205	161874	CRLNZG-32
40/50	16	18	36	12	18	9	21	36	55	4	323	161875	CRLNZG-40/50
63/80	20	20	40	13	20	11	23	42	65	4	435	161876	CRLNZG-63/80
100	25	25	50	16	24.5	14	28.5	50	75	4	738	161877	CRLNZG-100/125

1) More information: www.festo.com/x/topic/crc