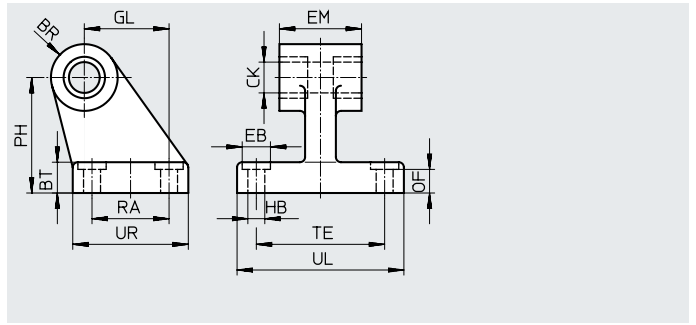


## Datasheet

### Clevis foot LNG With plain bearing

Material:  
 ∅ 32 ... 50: High-alloy steel  
 ∅ 63 ... 200: Spheroidal graphite cast iron  
 RoHS-compliant  
 LABS (PWIS) conformity:  
 VDMA24364-B2-L



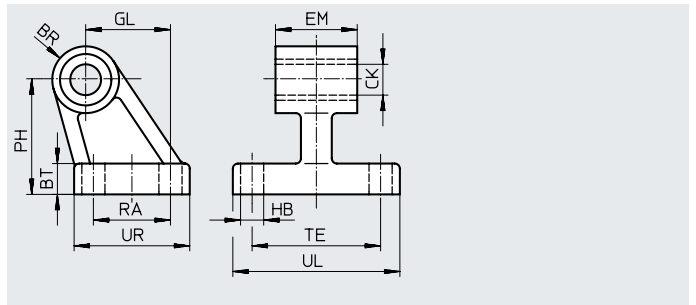
#### Dimensions and ordering data

For ∅ [mm]	BR	BT	CK ∅ D11	EB ∅ H13	EM	GL	HB ∅ H13	OF	PH	RA	TE	UL	UR	CRC <sup>1)</sup>	Weight [g]	Part no.	Type
32	10	8	10	–	25.8–0.4	21	6.6	–	32	18	38	51	31	2	133	★ 33890	LNG-32
40	11	10	12	–	27.8–0.4	24	6.6	–	36	22	41	54	35	2	161	★ 33891	LNG-40
50	12	12	12	–	31.8–0.4	33	9	–	45	30	50	65	45	2	281	★ 33892	LNG-50
63	15	12	16	15	40 c11	37	9	10.8	50	35	52	67	50	1	486	★ 33893	LNG-63
80	15	14	16	18	50 c11	47	11	12.7	63	40	66	86	60	1	805	★ 33894	LNG-80
100	19	15	20	18	60 c11	55	11	13.7	71	50	76	96	70	1	1141	33895	LNG-100
125	22	20	25	20	70 c11	70	14	18.6	90	60	94	124	90	1	2545	33896	LNG-125
200	31	30	30	26	90 c11	105	18	28.5	135	90	122	162	130	1	8630	33898	LNG-200

1) More information: [www.festo.com/x/topic/crc](http://www.festo.com/x/topic/crc)

### Clevis foot CRLNG, stainless steel

Material:  
 Cast stainless steel  
 LABS (PWIS) conformity:  
 VDMA24364-B2-L



#### Dimensions and ordering data

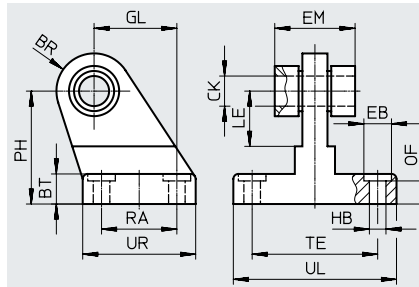
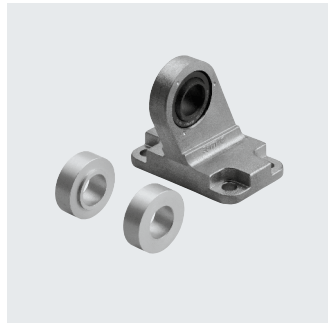
For ∅ [mm]	BR	BT	CK ∅ D11	EM	GL	HB ∅ H13	PH	RA	TE	UL	UR	CRC <sup>1)</sup>	Weight [g]	Part no.	Type	
32	10	8	10	–0.4	25.8	21	6.6	32	18	38	51	31	4	133	161840	CRLNG-32
40	11	10	12	–0.4	27.8	24	6.6	36	22	41	54	35	4	161	161841	CRLNG-40
50	12	12	12	–0.4	31.8	33	9	45	30	50	65	45	4	281	161842	CRLNG-50
63	15	12	16	–0.4	39.8	37	9	50	35	52	67	50	4	370	161843	CRLNG-63
80	15	14	16	–0.4	49.8	47	11	63	40	66	86	60	4	562	161844	CRLNG-80
100	19	15	20	–0.4	59.8	55	11	71	50	76	96	70	4	915	161845	CRLNG-100
125	22	20	25	–0.4	69.8	70	14	90	60	94	124	90	4	2539	176951	CRLNG-125

1) More information: [www.festo.com/x/topic/crc](http://www.festo.com/x/topic/crc)

## Datasheet

### Clevis foot LSN with spherical bearing

Material:  
 Ø 32 ... 50: High-alloy steel  
 Ø 63 ... 320: Spheroidal graphite cast iron  
 RoHS-compliant  
 LABS (PWIS) conformity:  
 VDMA24364-B2-L



#### Dimensions and ordering data

For Ø	BR	BT	CK Ø	EB Ø	EM	GL	HB Ø	LE	OF
[mm]	-1								
32	13	10	10 -0.008	10	25.8	21	5.5	16	4.5
40	15	10	12 -0.008	10	27.8	24	5.5	20	4.3
50	15	12	12 -0.008	11	31.8	33	6.6	22	5.2
63	20	12	16 -0.008	11	39.8	37	6.6	30	5.2
80	20	14	16 -0.008	15	49.8	47	9	31	5
100	24	15	20 -0.010	15	59.8	55	9	38	6
125	33	20	25 -0.010	22	69.8	70	11	-	18
160	36	25	30 -0.010	26	89.8	97	13.5	-	22
200	36	30	30 -0.010	30	89.8	105	16	-	27
250	43	35.5	40 -0.010	40	109.5	128	22	-	32
320	54	40.7	45 -0.010	48	119.8	150	26	-	37

For Ø	PH	RA	TE	UL	UR	CRC <sup>1)</sup>	Weight	Part no.	Type
[mm]	±0.5						[g]		
32	32	18	38	51	31	2	162	5561	LSN-32
40	36	22	41	54	35	2	219	5562	LSN-40
50	45	30	50	65	45	2	366	5563	LSN-50
63	50	35	52	67	50	1	471	5564	LSN-63
80	63	40	66	86	60	1	753	5565	LSN-80
100	71	50	76	96	70	1	1169	5566	LSN-100
125	90	60	94	124	90	1	2705	6987	LSN-125
160	115	88	118	156	126	1	5656	6988	LSN-160
200	135	90	122	162	130	1	7389	6989	LSN-200
250	165	110	150	200	160	1	13386	6990	LSN-250
320	200	122	170	234	186	1	21620	6991	LSN-320

1) More information: [www.festo.com/x/topic/crc](http://www.festo.com/x/topic/crc)

## Datasheet

### Clevis foot LSNG with spherical bearing

Material:

Ø 32 ... 50:

High-alloy steel

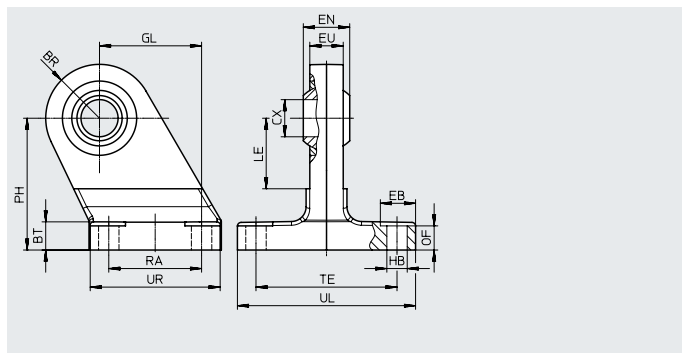
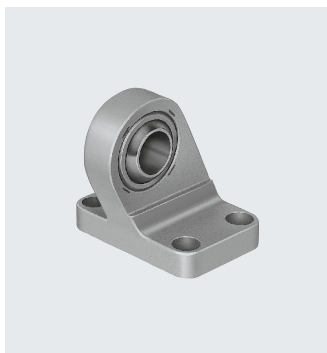
Ø 63 ... 200:

Spheroidal graphite cast iron

RoHS-compliant

LABS (PWIS) conformity:

VDMA24364-B2-L



#### Dimensions and ordering data

For Ø	BR	BT	CN Ø	EB Ø	EN	EU	GL	HB Ø	OF
[mm]				+0.5	-0.1	-0.2	js14	H13	
32	15	10 ±0.2	10 +0.013	–	14	10.5	21	6.6	8.5 +0.8
40	17	10 ±0.2	12 +0.015	–	16	12	24	6.6	8.5 +0.8
50	20	12 ±0.2	16 +0.015	–	21	15	33	9	10.5 +0.8
63	21+1.5/-0.5	12 ±0.6	16 +0.015	–	21	15	37	9	10.5 +0.8
80	26+1.5/-0.5	14 ±0.6	20 +0.018	–	25	18	47	11	12 +0.8
100	29	15 ±0.6	20 +0.018	–	25	18	55	11	13 +0.8
125	39	20 ±0.7	30 +0.018	20	37	25	70	14	17 +1
160	42	25 ±0.7	35 +0.021	20	43	28	97	14	21 +1
200	42	30 ±0.7	35 +0.021	26	43	28	105	18	26.5 +1

For Ø	PH	RA	TE	UL	UR	CRC <sup>1)</sup>	Weight	Part no.	Type
[mm]	js14	js14	js14				[g]		
32	32	18	38	51	31	2	172	<b>31740</b>	<b>LSNG-32</b>
40	36	22	41	54	35	2	228	<b>31741</b>	<b>LSNG-40</b>
50	45	30	50	65	45	2	416	<b>31742</b>	<b>LSNG-50</b>
63	50	35	52	67 <sup>+1</sup>	50 <sup>+1</sup>	1	541	<b>31743</b>	<b>LSNG-63</b>
80	63	40	66	86 <sup>+1</sup>	60 <sup>+1</sup>	1	997	<b>31744</b>	<b>LSNG-80</b>
100	71	50	76	96 <sub>-1</sub>	70 <sub>-1</sub>	1	1358	<b>31745</b>	<b>LSNG-100</b>
125	90	60	94	124 <sub>-1</sub>	90 <sub>-1</sub>	1	3071	<b>31746</b>	<b>LSNG-125</b>
160	115	88	118	156 <sub>-1</sub>	126 <sub>-1</sub>	1	6001	<b>152599</b>	<b>LSNG-160</b>
200	135	90	122	162 <sub>-1</sub>	130 <sub>-1</sub>	1	7368	<b>152600</b>	<b>LSNG-200</b>

1) More information: [www.festo.com/x/topic/crc](http://www.festo.com/x/topic/crc)

## Datasheet

### Clevis foot LSNSG

Weldable,  
with spherical bearing

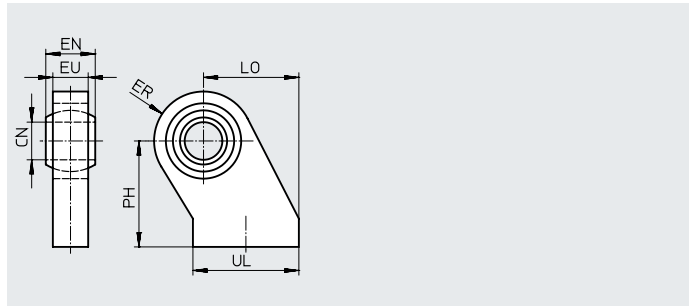
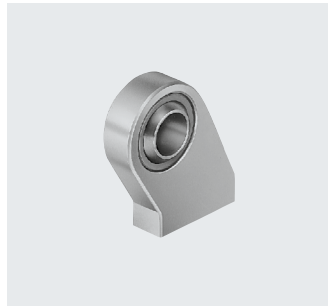
Material:

∅ 32 ... 125: Galvanised steel

RoHS-compliant

LABS (PWIS) conformity:

VDMA24364-B1/B2-L



#### Dimensions and ordering data

For ∅	CN ∅	EN	ER	EU	LO	PH	UL	CRC <sup>1)</sup>	Weight [g]	Part no.	Type
[mm]		-0.1	±0.5		±0.5	js15					
32	10 +0.013	14	15.5	10±0.3	27.5	32	28.5	1	105	<b>31747</b>	<b>LSNSG-32</b>
40	12 +0.015	16	17.5	12±0.3	30.5	36	33.5	1	160	<b>31748</b>	<b>LSNSG-40</b>
50	16 +0.015	21	20.5	15±0.3	40.5	45	43.5	1	300	<b>31749</b>	<b>LSNSG-50</b>
63	16 +0.015	21	22.5	15±0.3	44.5	50	48	1	370	<b>31750</b>	<b>LSNSG-63</b>
80	20 +0.018	25	28.5	18±0.5	57	63	58	1	700	<b>31751</b>	<b>LSNSG-80</b>
100	20 +0.018	25	29.5	18±0.5	65	71	67.5	1	830	<b>31752</b>	<b>LSNSG-100</b>
125	30 +0.018	37	39.5	25±0.5	85	90	87.5	1	1960	<b>31753</b>	<b>LSNSG-125</b>

1) More information: [www.festo.com/x/topic/crc](http://www.festo.com/x/topic/crc)

## Datasheet

### Right-angle clevis foot LQG

The pivot pin is secured against rotation with a spring pin.

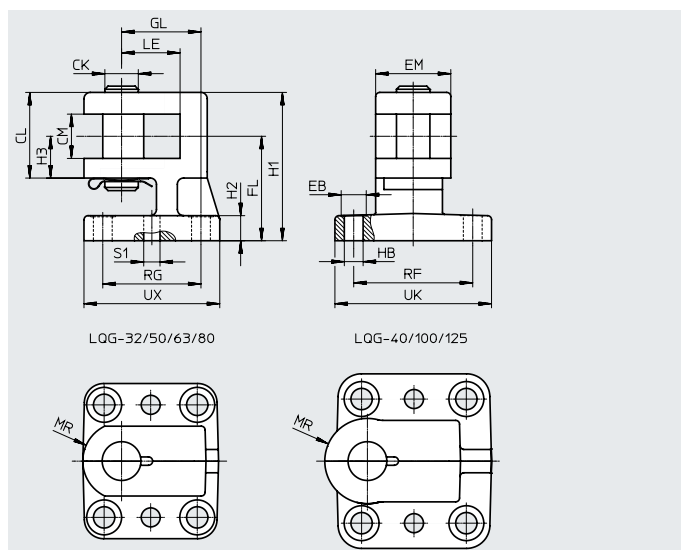
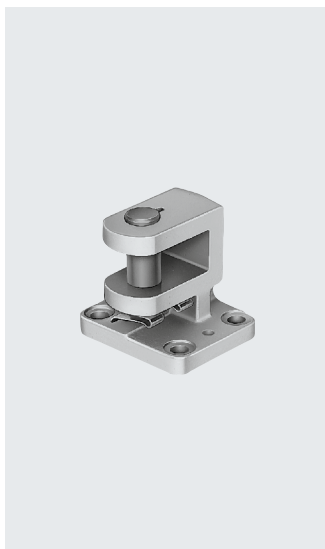
#### Material:

Spheroidal graphite cast iron

RoHS-compliant

LABS (PWIS) conformity:

VDMA24364-B1/B2-L



#### Dimensions and ordering data

For $\varnothing$ [mm]	CK $\varnothing$ h9	CL	CM +0.2	EB $\varnothing$	EM	FL	GL	H1	H2	H3	HB $\varnothing$
32	10	27	14.2	11	25	32 $\pm 0.3$	22 $\pm 0.3$	45 $\pm 0.5$	9	14	6.6
40	12	31	16.2	11	25	36 js14	22 js14	52 $\pm 0.5$	9	15	6.6
50	16	41	21.2	15	32	45 js14	36 js14	66 $\pm 0.5$	9	20	9
63	16	41	21.2	15	36	50 js14	38 js14	71	12	20	9
80	20	51	25.1	18	36	63 js14	39 js14	89	14	25	11
100	20	51	25.1	18	42	71 js14	51 js14	97	14	25	11
125	30	80	37.1	19	50	90 $\pm 0.4$	60 js14	130	20	40	14

For $\varnothing$ [mm]	LE	MR	RF	RG	S1 $\varnothing$	UK	UX	CRC <sup>1)</sup>	Weight [g]	Part no.	Type
32	18	12.5	40 $\pm 0.3$	29 $\pm 0.3$	4.8	56	45	1	301	31768	LQG-32
40	22	15	40 js14	29 js14	5.8	56	45	1	369	31769	LQG-40
50	28	18	52 js14	40 js14	5.8	70	58	1	706	31770	LQG-50
63	28	18	57 js14	47 js14	7.8	75	65	1	784	31771	LQG-63
80	31	20	58 js14	48 js14	9.8	80	70	1	1125	31772	LQG-80
100	34	22	64 js14	54 js14	9.8	90	80	1	1492	31773	LQG-100
125	38	32	104 js14	70 js14	11.5	130	96	1	3774	31774	LQG-125

1) More information: [www.festo.com/x/topic/crc](http://www.festo.com/x/topic/crc)