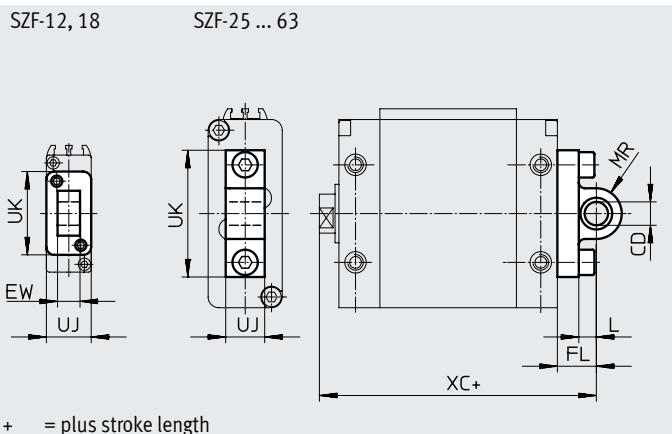


## Accessories

### Swivel flange SZF

Material:  
High-alloy steel



#### Dimensions and ordering data

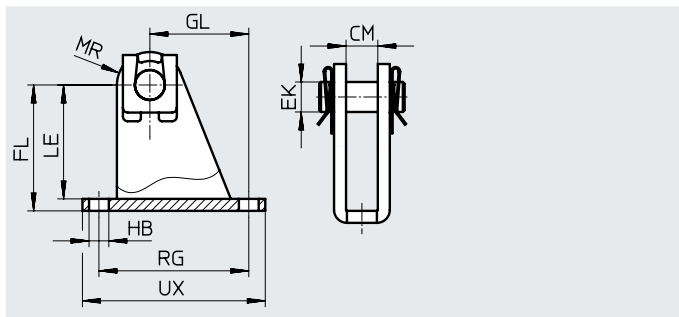
For $\varnothing$	CD $\varnothing$ H9	EW h12	FL	L	MR	UJ	UK	XC	CRC <sup>1)</sup>	Weight [g]	Part no.	Type
12	8	7	16	13	7	14	26	85	2	20	161818	SZF-12
18	8	7	18	15	7	16	26	87	2	25	161819	SZF-18
25	8	–	14	8	7.5	9	37	84	2	25	161820	SZF-25
32	10	–	15	6	10	10.5	44	95	2	45	161821	SZF-32
40	12	–	18	9	13	10.5	52	103	2	65	161822	SZF-40
50	12	–	20	9	13	20	65	112	2	175	161823	SZF-50
63	16	–	24	13	17	25	78	116	2	255	161824	SZF-63

1) Corrosion resistance class CRC 2 to Festo standard FN 940070

Moderate corrosion stress. Indoor applications in which condensation can occur. External visible parts with primarily decorative surface requirements which are in direct contact with a normal industrial environment.

### Clevis foot LZF

Material:  
Steel



#### Dimensions and ordering data

For $\varnothing$	CM	EK $\varnothing$ H8	FL	GL	HB $\varnothing$	LE	MR	RG	UX	Weight [g]	Part no.	Type
12	7.1 <sub>+0.4</sub>	8	32 <sub>+0.4/-0.2</sub>	18	4.5	29	8	30	37	45	163962	LZF-12/18
18	7.1 <sub>+0.4</sub>	8	32 <sub>+0.4/-0.2</sub>	18	4.5	29	8	30	37	45	163962	LZF-12/18
25	9.1 <sub>+0.4</sub>	8	35 <sub>+0.4/-0.2</sub>	25.5	5.5	32	9.5	40	49	64	163963	LZF-25
32	10.6 <sub>+0.4</sub>	10	42 <sub>+0.4/-0.2</sub>	33	6.6	38	11	50	60	123	163964	LZF-32
40	10.6 <sub>+0.4</sub>	12	51 <sub>+0.4/-0.2</sub>	29.5	6.6	47	14	50	60	163	163965	LZF-40
50	20.1 <sub>+0.5</sub>	12	55 <sub>+0.6/-0.2</sub>	24	9	50	14	30	46	246	163966	LZF-50
63	25.1 <sub>+0.5</sub>	16	68 <sub>+0.6/-0.2</sub>	32	11	63	18	40	60	413	163967	LZF-63

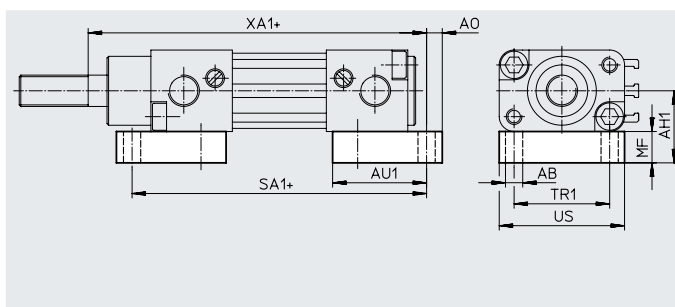
# Flat cylinder DZH

## Accessories

### Foot mounting HZB

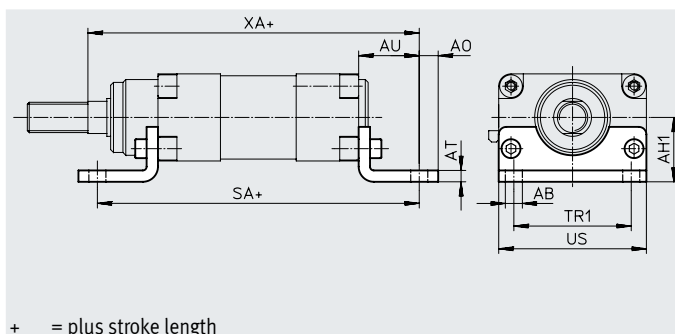
For piston  $\varnothing$  16 ... 25 mm

Material:  
Wrought aluminium alloy



For piston  $\varnothing$  32 ... 63 mm

Material:  
Steel



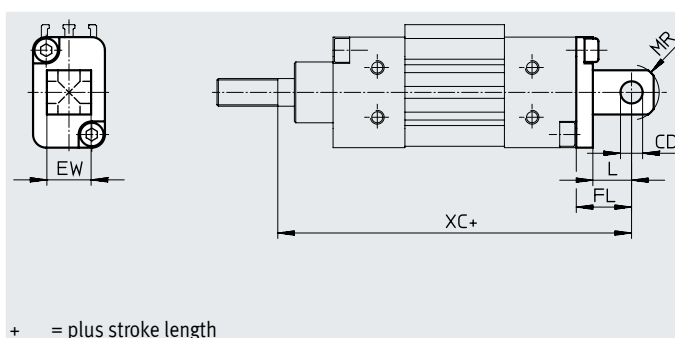
#### Dimensions and ordering data

For $\varnothing$	AB $\varnothing$	AH1	AO	AT	AU	AU1	MF	SA	SA1	TR1	US	XA	XA1	CRC <sup>1)</sup>	Weight [g]	Part no.	Type
16	4.5	20	4	-	-	23	10	-	88.5	23	30	-	101	2	48	151936	HZB-16
20	4.5	21.5	4	-	-	26	10	-	100.5	27	35	-	114	2	62	151935	HZB-20
25	5.5	23	5	-	-	30	10	-	104.5	30.5	40	-	119	2	85	151934	HZB-25
32	7	26	8	4	24	-	-	142	-	32	48	144	-	1	139	14875	HZB-32
40	9	29	10	5	28	-	-	161	-	46	62	163	-	1	243	14876	HZB-40
50	9	34	10	6	32	-	-	170	-	62	78	175.5	-	1	426	14877	HZB-50
63	9	38	15	6	35	-	-	185	-	88	104	190	-	1	673	14878	HZB-63

- 1) Corrosion resistance class CRC 1 to Festo standard FN 940070  
Low corrosion stress. Dry indoor application or transport and storage protection. Also applies to parts behind covers, in the non-visible interior area, and parts which are covered in the application (e.g. drive trunnions).  
Corrosion resistance class CRC 2 to Festo standard FN 940070  
Moderate corrosion stress. Indoor applications in which condensation can occur. External visible parts with primarily decorative surface requirements which are in direct contact with a normal industrial environment.

### Swivel flange SZSB, narrow/wide for piston $\varnothing$ 16 ... 25 mm

Material:  
High-alloy stainless steel  
Free of copper and PTFE  
RoHS-compliant



#### Dimensions and ordering data

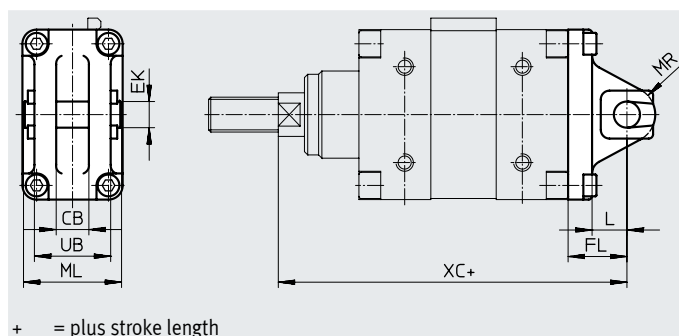
For $\varnothing$	CD $\varnothing$ H8	EW	FL	L	XC	CRC <sup>1)</sup>	Weight [g]	Part no.	Type
16	4	8	14	8	110	2	27	151927	SZSB-16
20	6	12	16	10	125	2	39	151926	SZSB-20
25	8	16	20	14	133	2	66	151925	SZSB-25

- 1) Corrosion resistance class CRC 2 to Festo standard FN 940070  
Moderate corrosion stress. Indoor applications in which condensation can occur. External visible parts with primarily decorative surface requirements which are in direct contact with a normal industrial environment.

## Accessories

**Swivel flange SZS, narrow**  
For piston  $\varnothing$  32 ... 63 mm

Material:  
Die-cast aluminium  
Free of copper and PTFE  
RoHS-compliant



+ = plus stroke length

**Dimensions and ordering data**

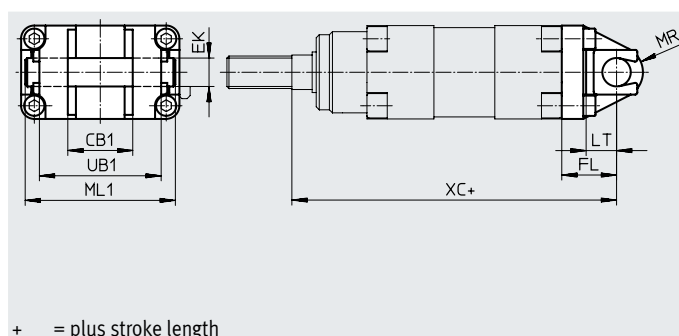
For $\varnothing$	CB	EK $\varnothing$ e8	FL	L min.	ML	MR	UB	XC	CRC <sup>1)</sup>	Weight [g]	Part no.	Type
32	9.4	10	22	13.5	35.6	11	25.8	142	2	79	14883	SZS-32
40	12.4	12	25	15.5	39.6	13	28.8	160	2	117	14884	SZS-40
50	14.4	12	27	15.5	45.6	13	34.8	170.5	2	167	14885	SZS-50
63	16.4	16	35	22.4	53.6	17	40.8	190	2	333	14886	SZS-63

1) Corrosion resistance class CRC 2 to Festo standard FN 940070

Moderate corrosion stress. Indoor applications in which condensation can occur. External visible parts with primarily decorative surface requirements which are in direct contact with a normal industrial environment.

**Swivel flange SZB, wide**For piston  $\varnothing$  32 ... 63 mm

Material:  
High-alloy stainless steel  
Free of copper and PTFE  
RoHS-compliant



+ = plus stroke length

**Dimensions and ordering data**

For $\varnothing$	CB1	EK $\varnothing$ e8	FL	LT	ML1	MR	UB1	XC	CRC <sup>1)</sup>	Weight [g]	Part no.	Type
32	16	10	22	14	47	11	36 <sub>-0.7</sub>	142	2	172	30798	SZB-32
40	28	12	25	15.5	61	13	52 <sub>-1</sub>	160	2	288	30799	SZB-40
50	32	12	27	16	77	13	60 <sub>-1</sub>	170.5	2	430	30629	SZB-50
63	40	16	35	23	103	17	70 <sub>-1</sub>	190	2	679	30630	SZB-63

1) Corrosion resistance class CRC 2 to Festo standard FN 940070

Moderate corrosion stress. Indoor applications in which condensation can occur. External visible parts with primarily decorative surface requirements which are in direct contact with a normal industrial environment.