

# Fluid control valve(2/2 way)

## 2LA Series (Direct-acting and normally closed)



### Symbol



### Product feature

1. Direct acting and normally closed type 2/2 way solenoid valve. Its high sensibility allows it to change direction quickly;
2. It has wide pressure range, including standard high pressure (H) to choose from;
3. It is compact, small size and light weight. It is easy to install and dismantle.
4. The valve body is made of SUS304. Its coil has a Heat resistance classification of Class H. The standard seal material is PTFE(Teflon) which is suitable for a variety of working medium such as water with high temperature and vapour.
5. The protection class of the coil is IP65 and there is a choice for grommet or terminal electrical entry.

### Specification

Model/Item	Port size [Note1]	Orifice size (Φmm)	Cv	Valid area or section (mm <sup>2</sup> )	Weight [Note2](g)	Max.operating pressure differential		Proof pressure	
						MPa	psi	MPa	psi
2LAH030	-06 1/8"	2.0	0.18	3.0	244.5	2.0	300	3.0	450
	-08 1/4"				234.5				
2LA030	-06 1/8"	3.0	0.33	6.0	244.5	1.0	150		
	-08 1/4"				234.5				
2LAH050	-10 3/8"	4.0	0.55	10.0	529	2.0	300		
	-15 1/2"				509				
2LA050	-10 3/8"	5.0	0.83	15.0	529	1.0	150		
	-15 1/2"				509				

[Note1] PT thread, G thread and NPT thread are available.

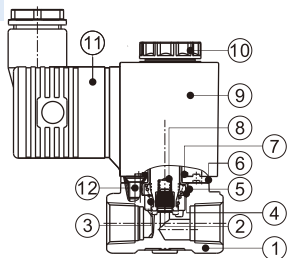
[Note2] The weight in the table is the terminal valve's weight, 2LA030 series grommet valve's weight is 10g less than terminal's. 2LA050series grommet valve's weight is 20g less than terminal's.

### Specification of coil

Valve type	Coil type	Power type	Frequency (Hz)	Voltage range	Electrical entry	Power Consumption (VA/W)	Insulation	Temp. rise(°C)
2LA□030	CDA110H CLA110H	AC	50	±15%	Terminal (CDA)	10.0VA	Class H	50
			60			8.0VA		45
		DC	-	±10%		6.5W		50
2LA□050	CDA160H CLA160H	AC	50	±15%	Grommet (CLA)	25.0VA	Class H	65
			60			22.0VA		60
		DC	-	±10%		12.0W		50

### Inner structure

2LA030 (Terminal)



No.	Item	No.	Item	No.	Item
1	Body	5	O-ring	9	Coil assembly
2	Airtight ring	6	Fixed plate	10	Coil nut
3	Spring	7	O-ring	11	Connector
4	Steel bushing	8	Movable core	12	Screw

### Valve's specification

Acting	Direct acting				
	Initial state	Normally closed			
Adaptable fluid	Steam, High temperature Water, Oil				
Viscosity limit	Under 20CST				
Ambient and fluid temperature ( °C )		Oil	Water	Steam	Ambient
	Max.	150	150	183	100
Min.	-10 [Note1]	1	-	-20	

[Note1] 50CST or less.

### Ordering code

#### Ordering code of valves

2LA H 030 08 A □ □



① Model	② Pressure condition	③ Size series	④ Port size	⑤ Voltage	⑥ Electrical entry	⑦ Thread type
2LA: 2/2 way direct-acting and normally closed	H: High pressure Blank: Standard	030: 030 Series	06: 1/8" 08: 1/4"	A: AC220V B: DC24V C: AC110V E: AC24V F: DC12V	Blank: Terminal I: Grommet[Note]	Blank: PT G: G T: NPT
		050: 050 Series	10: 3/8" 15: 1/2"			

[Note] The wire length is 0.5m.

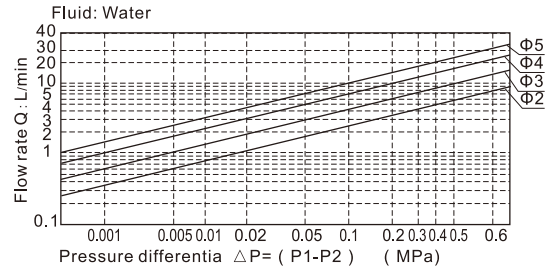
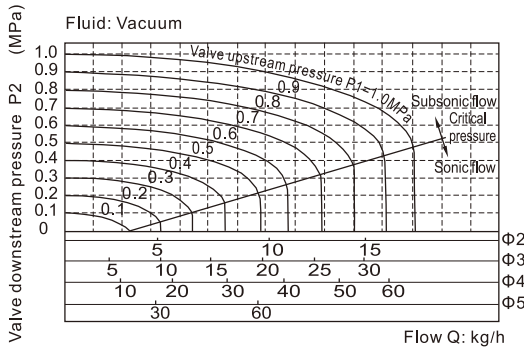
#### Ordering code of accessories

Ordering code of accessories is the same as 2WA series valve's, Please refer to P19 for details of ordering code.

# Fluid control valve(2/2 way)

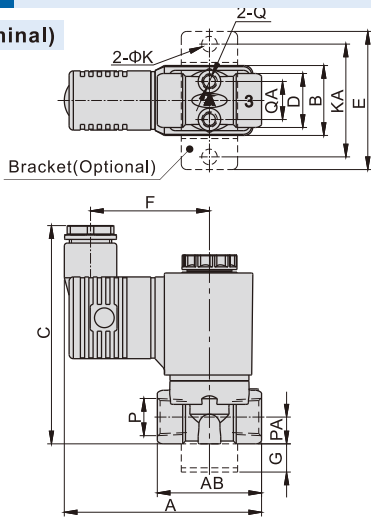
## 2LA Series (Direct-acting and normally closed)

### Flow chart

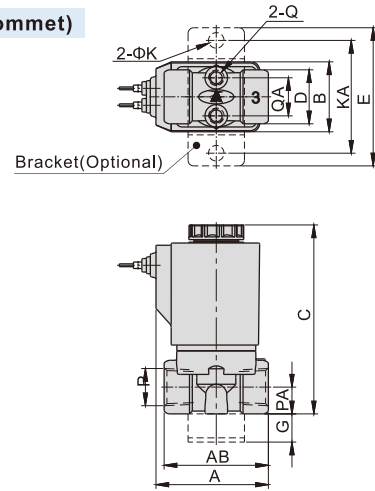


### Dimensions

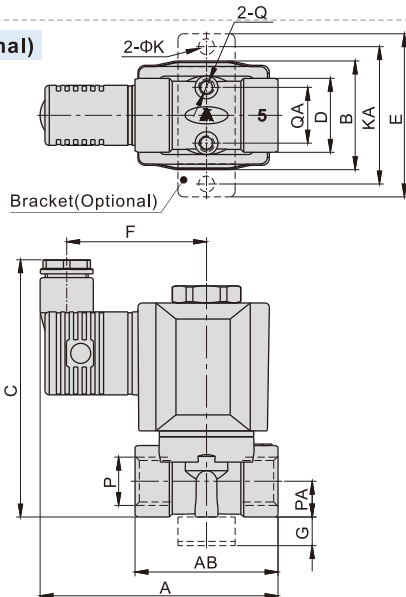
#### 2LA□030(Terminal)



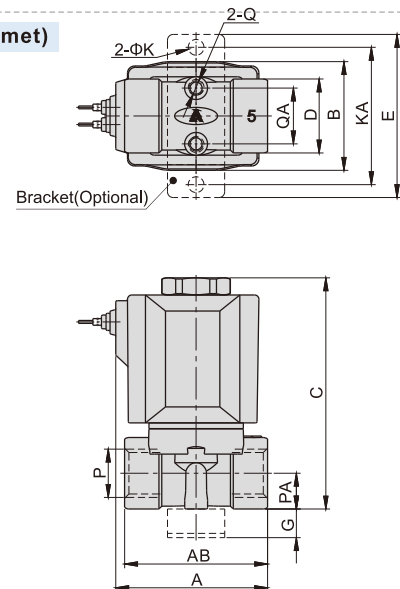
#### 2LA□030(Grommet)



#### 2LA□050(Terminal)



#### 2LA□050(Grommet)



Model/Item	A	AB	B	C	D	E	F	G	K	KA	P	PA	Q	QA
2LA□030-06	70	37	25	77.5	19	49	42	10	5.5	40	1/8"	9.5	M5	13.5
2LA□030-08	70	37	25	77.5	19	49	42	10	5.5	40	1/4"	9.5	M5	13.5
2LA□050-10	83	50	38	90	26	57	49	10	5.5	48	3/8"	12.5	M5	19.5
2LA□050-15	83	50	38	90	26	57	49	10	5.5	48	1/2"	12.5	M5	19.5

Model/Item	A	AB	B	C	D	E	G	K	KA	P	PA	Q	QA
2LA□030-06	40	37	25	67	19	49	10	5.5	40	1/8"	9.5	M5	13.5
2LA□030-08	40	37	25	67	19	49	10	5.5	40	1/4"	9.5	M5	13.5
2LA□050-10	53	50	38	81	26	57	10	5.5	48	3/8"	12.5	M5	19.5
2LA□050-15	53	50	38	81	26	57	10	5.5	48	1/2"	12.5	M5	19.5