

4/2 and 4/3 directional shut-off valves, internally pilot operated, externally pilot operated

RE 24753/08.08
Replaces: 04.93

1/12

Types Z4WEH and Z4WH

Size 10
Component series 4X
Maximum operating pressure 315 bar
Maximum flow 160 l/min

tb0255

Table of contents

Content	Page
Features	1
Ordering code	2, 3
Mating connectors	3
Symbols	4, 5
Function, section	6, 7
Technical data	8
Characteristic curves	9
Unit dimensions	10, 11
Stroke adjustment, attachment options	12

Features

- Directional spool valve, pilot operated
- 2 types of actuation:
 - Electrohydraulic (type WEH)
 - Hydraulic (type WH)
- Function as shut-off through-valve or shut-off/through valve/short-circuit valve
- Free flow in P and T in every spool position
- Porting pattern to ISO 4401-05-04-0-05
- Wet-pin DC or AC voltage solenoids, optional
- Manual override, optional
- Electrical connection as individual or central connection, see RE 23178 and RE 08010
- Switching time adjustment, optional
- Stroke adjustment of main spool, optional
- Inductive position switch and proximity sensors (contactless), see RE 24830

Information on available spare parts:
www.boschrexroth.com/spc

Ordering code

	Z4		10	-4X/						
Types of actuation Electrohydraulic Hydraulic			= WEH = WH							
Size NG10			= 10							
Spool symbols , see pages 4 and 5 Component series 40 to 49 (40 to 49: unchanged installation and connection dimensions)				= 4X						
Pilot valve High-performance valve (RE 23178)					= 6E ¹⁾					
DC voltage 24 V						= G24 ¹⁾				
AC voltage 230 V 50/60 Hz						= W230 ¹⁾				
DC voltage 205 V 50/60 Hz						= G205 ^{1); 2)}				
For further voltages, frequencies and electrical data, see data sheet RE 23178										
Without manual override						= No code				
With manual override						= N ¹⁾				
With concealed manual override (standard)						= N9 ¹⁾				
External pilot oil supply, external pilot oil drain						= No code				
Internal pilot oil supply, internal pilot oil drain (standard)						= ET				
External pilot oil supply, internal pilot oil drain (with type Z4WH... only "No code" possible!)						= T				
Without switching time adjustment						= No code				
Switching time adjustment as meter-in control						= S				
Switching time adjustment as meter-out control						= S2				

¹⁾ Only with electrohydraulic actuation, version "WEH"

²⁾ For connection to the AC voltage mains, a DC voltage solenoid **must** be used, which is to be controlled via a rectifier (see table on the right-hand side).

In the case of individual connection, a mating connector with integrated rectifier can be used (separate order, see page 3).

³⁾ Mating connectors, separate order, see page 3.

⁴⁾ On version "D3", a throttle insert "B08" must be installed in port P of the pilot valve!

AC voltage mains (permissible voltage tolerance $\pm 10\%$)	Nominal voltage of the DC voltage solenoid when operated with AC voltage	Ordering code
110 V - 50/60 Hz 120 V - 60 Hz	96 V	G96
230 V - 50/60 Hz	205 V	G205

Standard types and components are shown in the EPS (standard price list).

Symbols: Type Z4WEH (① = component side, ② = plate side)

Ordering code	Version "ET"	Version "T"
E62		
E63		
E68		
E50 ¹⁾		
E51		
E52 ²⁾		

¹⁾ Opening cross-section in spool position "a" (A2 → B2)
= 50 mm²

²⁾ Opening cross-section in spool position "b" (A2 → B2)
= 35 mm²

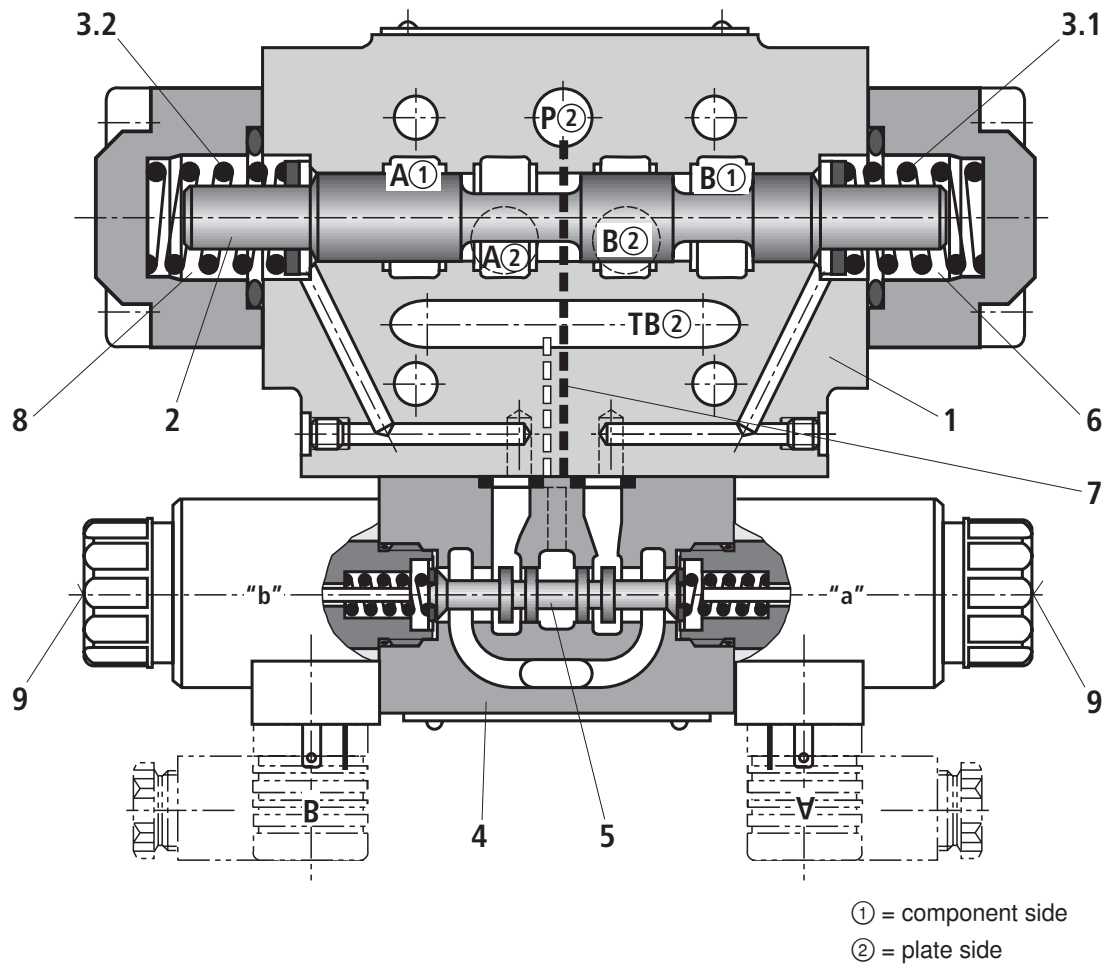
Symbols: Type Z4WH (① = component side, ② = plate side)

Ordering code	Version "No code"
E62	
E63	
E68	
E50 ¹⁾	
E51	
E52 ²⁾	

¹⁾ Opening cross-section in spool position "a" (A2 → B2)
= 50 mm²

²⁾ Opening cross-section in spool position "b" (A2 → B2)
= 35 mm²

Function, section: Type Z4WEH



Valves of type Z4WEH are directional spool valves with electrohydraulic actuation. They control the start and stop of a flow.

These directional valves basically consist of the main valve with housing (1), main control spool (2), one or two return springs (3.1 and 3.2), and pilot valve (4).

Main control spool (2) in the main valve is held by the springs in the zero or initial position. In the initial position, the two spring chambers (6) and (8) are connected pressureless to tank via pilot valve (4). The pilot valve is supplied with pilot oil via pilot channel (7). The pilot oil supply can be provided internally or externally (externally via port X in the sandwich plate, see page 10).

When the pilot valve is operated, e.g. solenoid "a", pilot spool (5) is pushed to the left, and consequently spring chamber (8) is pressurized to pilot pressure. Spring chamber (6) remains pressureless.

The pilot pressure acts on the left side of main control spool (2) and pushes it against spring (3.1). As a result of this, the connections on the component side and on the plate side are opened according to the relevant symbols.

When the solenoid is de-energized, pilot spool (5) returns to the initial position. Pressure chamber (8) is unloaded to the tank.

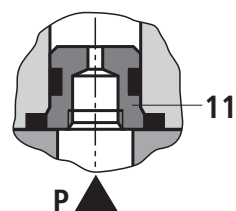
The pilot oil is drained from spring chamber (8) internally via pilot valve (4) into channel T (Y).

An optional manual override (9) allows pilot spool (5) to be moved without energization of the solenoid.

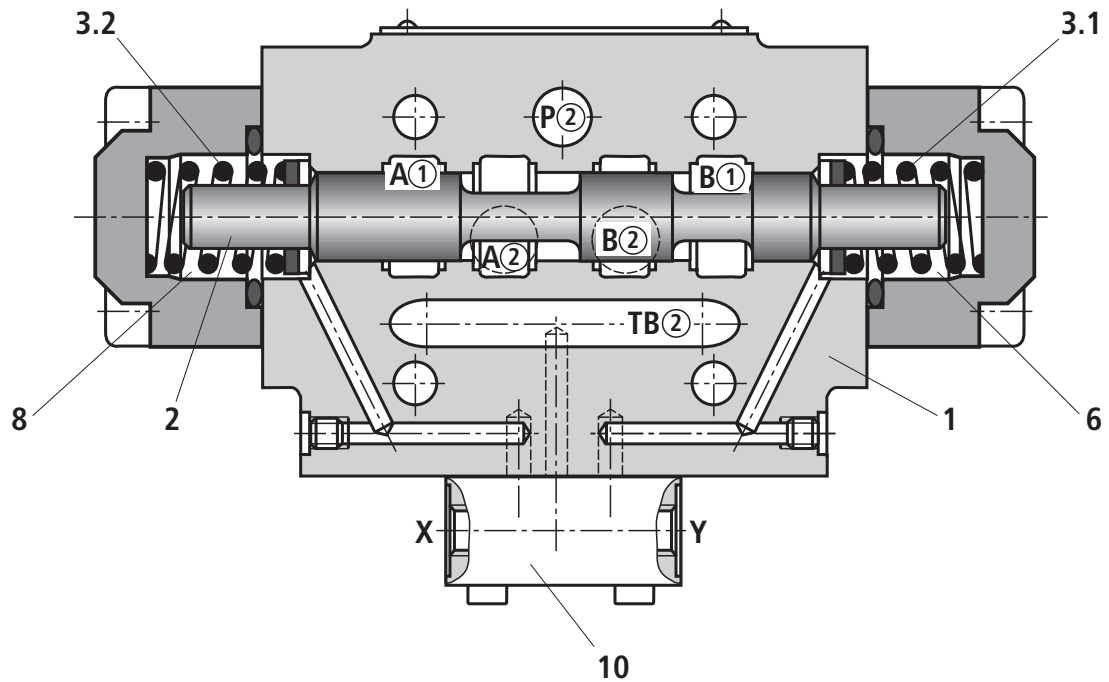
Throttle insert

The use of throttle insert (11) is required, if the pilot oil supply in channel P of the pilot valve is to be limited.

Throttle insert (11) is to be installed in channel P of the pilot valve.



Function, section: Type Z4WH



Valves of type Z4WH are directional spool valves with hydraulic actuation. They control the start and stop of a flow.

These directional valves basically consist of valve housing (1), main control spool (2), one or two return springs (3.1) and (3.2) in the case of valves with spring return or spring centering, as well as pilot oil subplate (10).

Main control spool (2) is operated directly by pressurization.

Main control spool (2) is held by springs in the zero or initial position. The pilot oil is supplied and drained externally (see page 12).

Technical data (for applications outside these parameters, please consult us!)

General			
Weight	– Valve with 1 solenoid	kg	4.2
	– Valve with 2 solenoids	kg	4.6
	– Valve with hydraulic actuation (type 4WH...)	kg	3.5
	– Switching time adjustment	kg	0.8
	– Pressure reducing valve	kg	0.4
	– Plate for version "T"	kg	0.5
Installation position			Optional
Ambient temperature range	°C		–30 to +50 (NBR seals) –20 to +50 (FKM seals)

Hydraulic			
Maximum operating pressure	– Ports A and B	bar	315
	– Port P		
	External pilot oil supply	bar	315
	Internal pilot oil supply	bar	250 (without pressure reducing valve) 315 (with pressure reducing valve)
	– Port T (Pilot oil drain only internal)	bar	210 (with DC solenoid) 160 (with AC solenoid)
Minimum pilot pressure		bar	12
Maximum flow		l/min	160
Pilot volume for operation		cm ³	1.3
Hydraulic fluid ¹⁾			Mineral oil (HL, HLP) to DIN 51524 ²⁾ ; fast bio-degradable hydraulic fluids to VDMA 24568 (see also RE 90221); HETG (rape seed oil) ²⁾ ; HEPG (polyglycols) ³⁾ ; HEES (synthetic esters) ³⁾ ; other hydraulic fluids on request
Hydraulic fluid temperature range		°C	–30 to +80 (NBR seals) –20 to +80 (FKM seals)
Viscosity range		mm ² /s	2.8 to 500
Permissible max. degree of contamination of the hydraulic fluid - cleanliness class to ISO 4406 (c)			Class 20/18/15 ⁴⁾

Electrical							
Switching time to ISO 6403	at pilot pressure	bar	70	140	210		
			~	=	~	=	
	– ON	ms	30	65	25	60	20
	– OFF	ms	30				

¹⁾ The ignition temperature of the process and operating medium used must be higher than the maximum solenoid surface temperature.

²⁾ Suitable for NBR and FKM seals

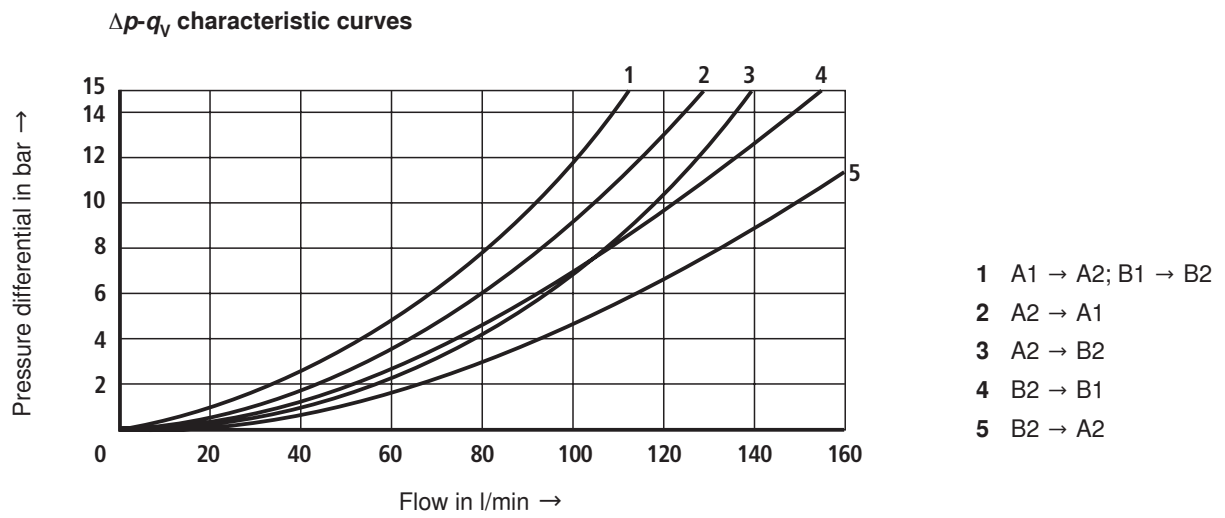
³⁾ Suitable only for FKM seals

⁴⁾ The cleanliness classes specified for components must be adhered to in hydraulic systems. Effective filtration prevents malfunction and, at the same time, prolongs the service life of components.

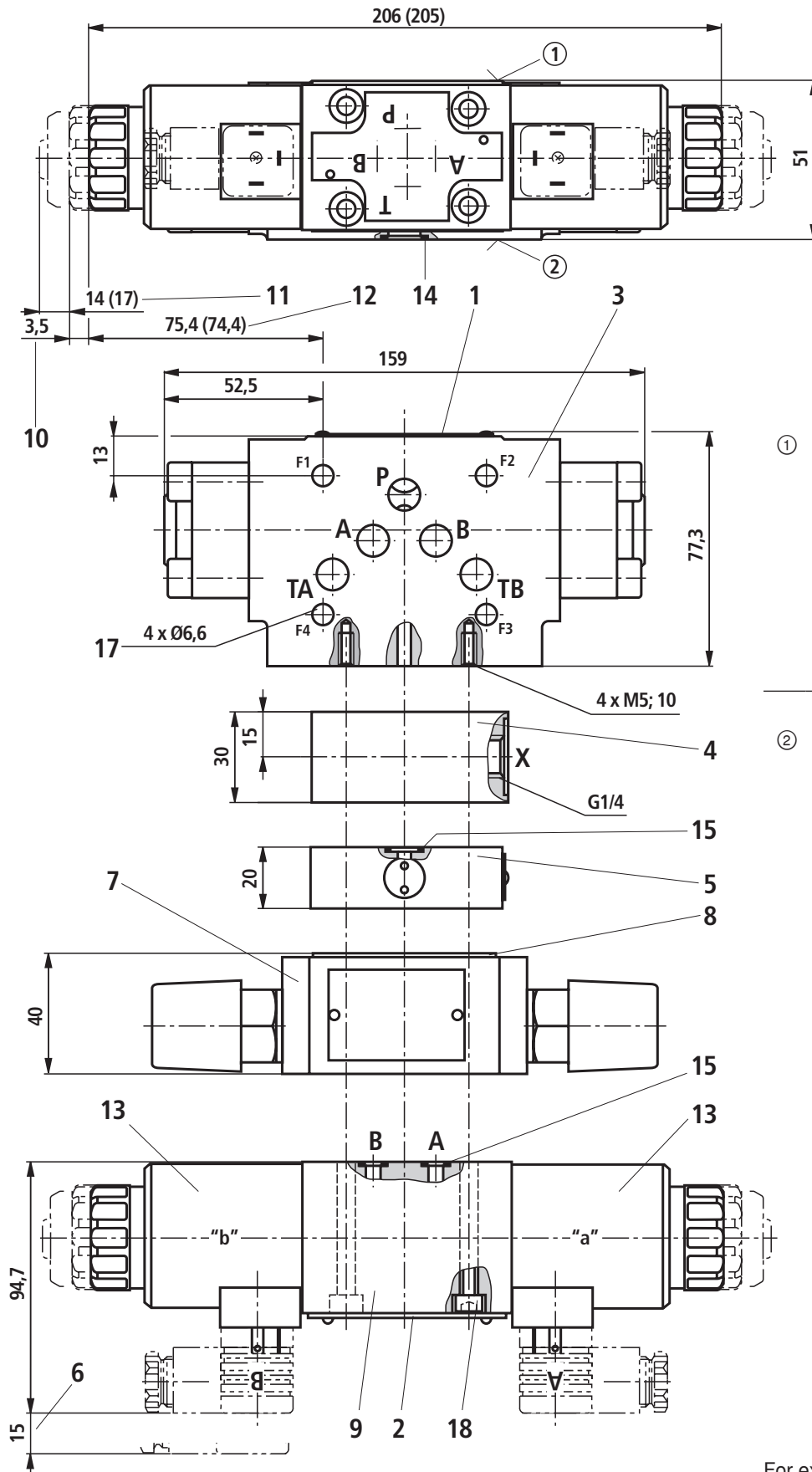
For the selection of filters, see data sheets RE 50070, RE 50076, RE 50081, RE 50086, RE 50087 and RE 50088.

Notes!

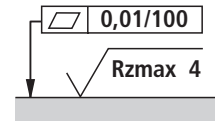
- The manual override can only be actuated up to a tank pressure of ca. 50 bar. Avoid damage to the bore for the manual override! (Special tool for operation, separate order, Material no. **R900024943**). When the manual override is blocked, operation of the solenoids must be ruled out!
- The simultaneous operation of the solenoids must be ruled out!

Characteristic curves (measured with HLP46, $\vartheta_{\text{oil}} = 40 \text{ }^\circ\text{C} \pm 5 \text{ }^\circ\text{C}$)

Unit dimensions: Type Z4WEH10 (dimensions in mm)

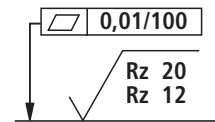


① component side - porting pattern to ISO 4401-05-04-0-05



Required surface quality of the valve mounting face

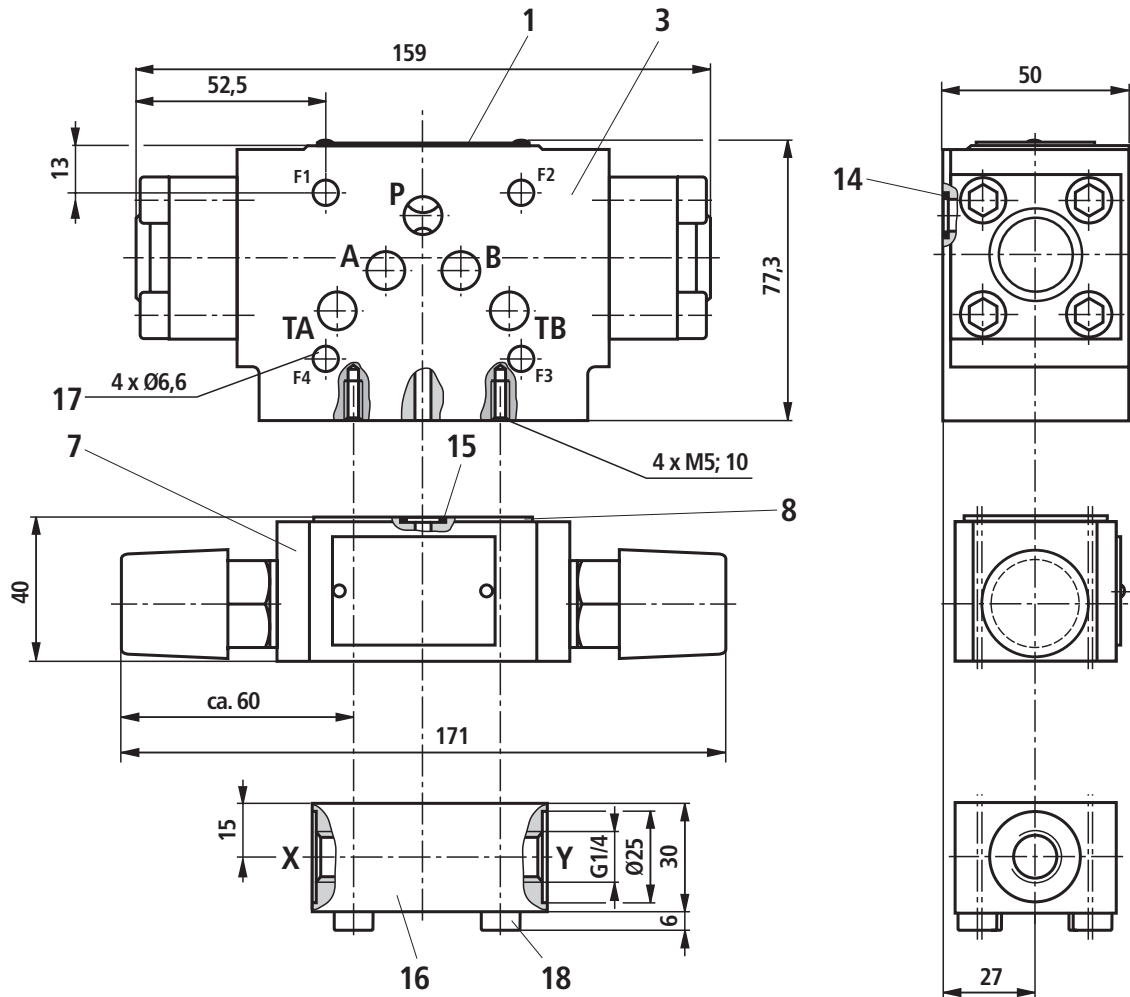
② plate side - porting pattern to ISO 4401-05-04-0-05



Required surface quality of the valve mounting face

For explanations of items, see page 11.

Unit dimensions: Type Z4WH10 (dimensions in mm)



- 1 Nameplate of complete valve
 - 2 Nameplate of pilot valve
 - 3 Main valve
 - 4 Sandwich plate for external pilot control (to be used at operating pressure > 210 bar)
 - 5 Pressure reducing valve "D3"
(must be used in the case of pilot pressures above 250 bar; only with version "Z4WEH")
- Material no.:**
NBR seals: **R900323180**
FKM seals: **R900323664**
- 6 Space required to remove mating connector
 - 7 Switching time adjustment (for throttle check valve, see data sheet RE 27506); depending on the installation position, meter-in or meter-out control (illustration: meter-in control)
 - 8 R-ring plate
 - 9 Pilot valve (see data sheet RE 23178)
 - Type 4WE 6 J.. for symbol E62
 - Type 4WE 6 Y.. for symbol E50, E51, E52, E63, E68
 Dimensions () for valve with AC solenoid

- 10 Dimension for valve without manual override
- 11 Dimension for valve with manual override "N"; dimensions () for valve with AC solenoid
- 12 Dimension for valve with concealed manual override "N9"; dimensions () for valve with AC solenoid without manual override
- 13 Solenoids "a" and "b" (can be rotated 90°)
- 14 Identical seal rings for ports A, B, P, TA and TB
- 15 Identical seal rings for ports A, B, P and T
- 16 Pilot oil subplate
- 17 Valve mounting bores
- 18 Valve mounting screws (separate order)
4 hexagon socket head cap screws ISO 4762 - M6 - 10.9

 **Note!**

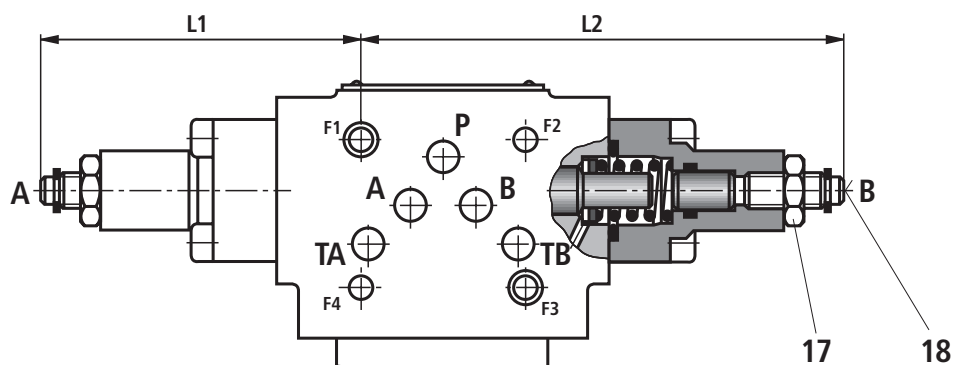
The length and tightening torque of the valve mounting screws must be calculated taking account of the components mounted.

Stroke adjustment, attachment options (dimensions in mm)

Attachment options	Ordering code	L1	L2
Stroke adjustment on sides A and B	10	95	149
Stroke adjustment on side A	11	95	
Stroke adjustment on side B	12		149

The stroke adjustment feature limits the stroke of the main spool. The spool stroke can be reduced by loosening locknut (17) and turning adjustment spindle (18) clockwise. The control chamber must be pressureless during this process.

Stroke 6 mm (1 turn = 1 mm stroke)



17 Locknut 27 A/F

18 Adjustment spindle, hexagon socket 5 A/F