

Subplates

RE 45100

Edition: 2016-05



- ▶ Size 4 ... 32
- ▶ Component series 1X

Features

The subplates are intended for the set-up of single valves and vertical stackings and are equipped with all ports. The delivery range includes sizes 4 ... 32 as a standard.

- ▶ Ready for connection
- ▶ Compact design
- ▶ Large number of variants
- ▶ Broad field of application
- ▶ Various frame sizes

Contents

Features	1
Ordering code	2, 3
Technical data	4
Compatibility with admissible hydraulic fluids	4
Dimensions	5 ... 50
Assignment of the valves according to size and porting pattern	51 ... 56
Subplates overview	57, 58

Ordering code

01	02	03	04	05	06	07	08	09	10	11	12
	-	G			-	1X	/			-	

Hydraulic fluid

01	Standard	no code
	Water / water/glycol mixture	W

Device type

02	Subplate	G
----	----------	----------

Size

03	NG4	04
	NG5	05
	NG6	06
	NG10	10
	NG16	16
	NG20	20
	NG25	25
	NG30	30
	NG32	32

Porting pattern

04	Directional valves with one tank port, flow control valves	A
	Isolator, directional, pressure and flow control valves	C
	Isolator, directional, pressure and flow control valves	D
	Pressure relief valves	E
	Flow control valves	G
	Rexroth specific hole pattern	R
	ISO4401-03-02-0-05 and NFPA T3.5.1 R2-2002 D03, with locating pin bore 4 mm	U
	Valves up to 630 bar	V

Number of main ports

05	2 main ports A, B / X, Y / P, T / P, A	2
	3 main ports P, A, T	3
	4 main ports P, A, B, T	4
06	Component series 10 ... 19 (10 ... 19: unchanged installation and connection dimensions)	1X

Order example:**W-G10A2-1X/G3/8G1/4-SLJ5-SO699****Other versions are only possible after consultation.**

Ordering code

01	02	03	04	05	06	07	08	09	10	11	12
	-	G			-	1X	/		-		-

Actuator ports P, A, B, T

07	Thread G1/4	G1/4
	Thread G3/8	G3/8
	Thread G3/4	G3/4
	Thread G1/2	G1/2
	Thread G1	G1
	Thread G1 1/4	G1 1/4
	Thread G1 1/2	G1 1/2
	Thread M14	M14
	Thread M18	M18
	Thread M22	M22
	Thread M27	M27
	Thread M33	M33
	Thread M48	M48
	Thread NPT 1/2	NPT 1/2
	Thread NPT 1	NPT 1
	Thread 7/8-12UNF	UNF7/8-12
	Thread 3/4-16UNF	UNF3/4-16
	Thread 9/16-18UNF	UNF9/16-18
	Thread 7/8-20UNF	UNF7/8-20
	Thread 7/16-20UNF	UNF7/16-20
	Thread 1 1/16-12UN	UN1 1/16-12
	Thread 1 5/16-12UN	UN1 5/16-12
	Thread 1 5/8-12 UN	UN1 5/8-12
Thread 1 7/8-12 UN	UN1 7/8-12	
Flange ISO 6164 DN19	FL19	
Flange ISO 6164 DN32	FL32	
Flange ISO 6164 DN51	FL51	

Control system ports X, Y, L

08	Thread G1/4	G1/4
	Thread G3/8	G3/8
	Thread G1/2	G1/2
	Thread M14	M14
	Thread M18	M18
	Thread 7/16-20UNF	UNF 20
	Thread 9/16-18UNF	UNF 18

Porting pattern

09	Rear ports	no code
	Lateral ports	S

Design (outer dimensions)

10	Standard size	no code
	Small design "mini"	M
	Large design "large"	L

Corrosion resistance

11	Standard	no code
	Improved corrosion protection (240 h in salt spray test according to DIN EN ISO 9227)	J3
	Maximum corrosion protection (720 h in salt spray test according to DIN EN ISO 9227)	J5

Ordering code

01	02	03	04	05	06	07	08	09	10	11	12
	-	G			-	1X	/		-		-

Special versions

12	With additional port L	SO003
	Special hole pattern with leakage oil connection on top for 5-4WE 10 -5X/...	SO331
	High-pressure valves 500 bar	SO699
	Special hole pattern without port X but with leakage oil connection like standard hole pattern for 5-4 WE 10 ..-5X/...	SO771

Technical data

(For application outside these values, please consult us!)

general	
Installation position	Any (observe the valve details)
hydraulic	
Operating pressure	See details of the relevant subplate
Maximum admissible degree of contamination of the hydraulic fluid Cleanliness class according to ISO 4406 (c)	The cleanliness classes specified for the components must be adhered to in hydraulic systems. See data sheet of the valves to be installed.

Hydraulic fluid	Classification	Suitable sealing materials	Standards	Data sheet
Mineral oils	HL, HLP, HLPD, HVLP, HVLPD	NBR, FKM	DIN 51524	90220
Bio-degradable ¹⁾	▶ Insoluble in water	HETG	ISO 15380	90221
		HEES		
	▶ Soluble in water	HEPG	ISO 15380	
Flame-resistant	▶ Water-free	HFDU (glycol base)	ISO 12922	90222
		HFDU (ester base) ¹⁾		
	▶ Containing water ¹⁾	HFC (Fuchs Hydrotherm 46M, Petrofer Ultra Safe 620)	ISO 12922	90223



Important information on hydraulic fluids:

- ▶ For more information and data on the use of other hydraulic fluids, please refer to the data sheets above or contact us.
- ▶ There may be limitations regarding the technical valve data (temperature, pressure range, life cycle, maintenance intervals, etc.).
- ▶ The ignition temperature of the hydraulic fluid used must be 50 K higher than the maximum solenoid surface temperature.

▶ Flame-resistant – containing water:

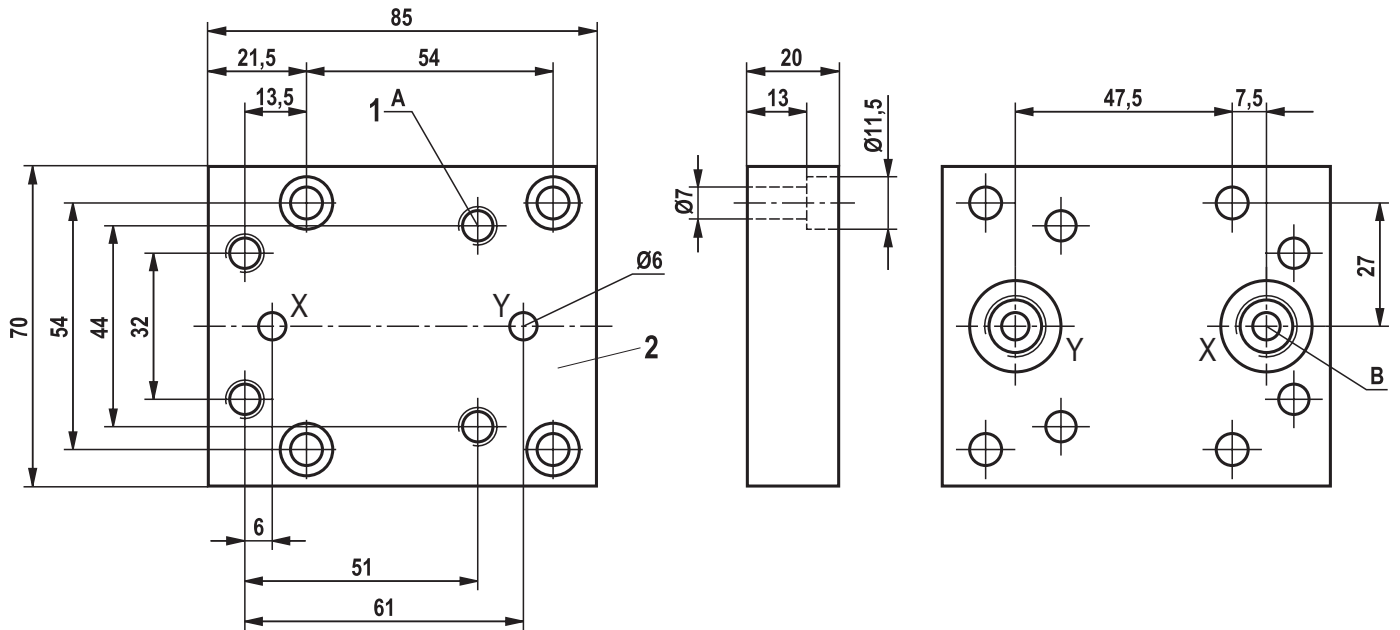
- Life cycle as compared to operation with mineral oil HL, HLP 30 ... 100%
- Maximum hydraulic fluid temperature 60 °C

¹⁾ Small amounts of dissolved zinc may get into the hydraulic system during use.

Uncoated subplates available on request.

Dimensions

(dimensions in mm)

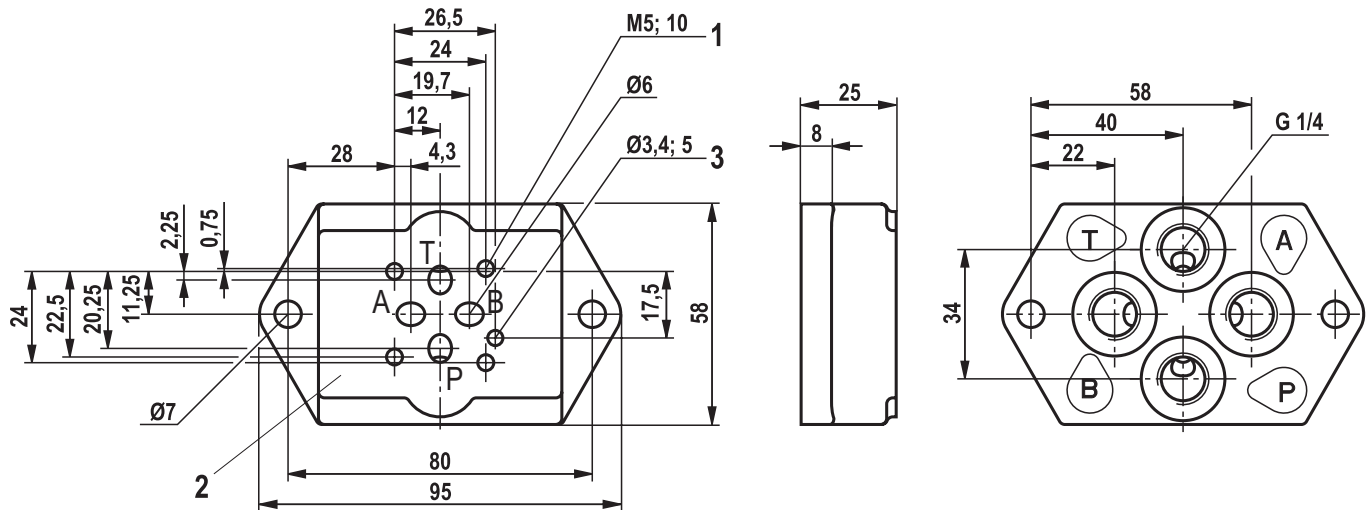


- 1 Valve mounting thread
2 Valve contact surface

Denomination	Material number	A		B		Weight in kg	p_{max} in bar
		Thread	Recess Ø	Thread	Recess Ø		
G04R2-1X/G1/4	R900447986	M8; 12 deep	G1/4	20	0.8	350	
G04R2-1X/UNF20	R900371166	5/16UNC; 12 deep	7/16-20UNF	21	0.8	350	

Dimensions

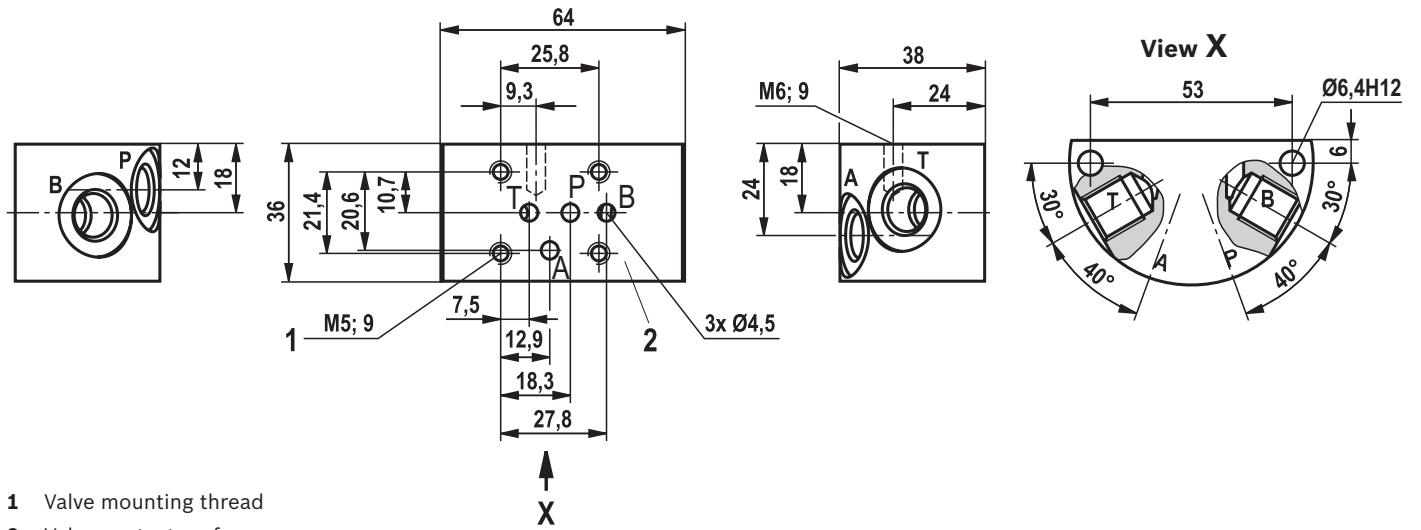
(dimensions in mm)



- 1 Valve mounting thread
- 2 Valve contact surface
- 3 Bore for locating pin

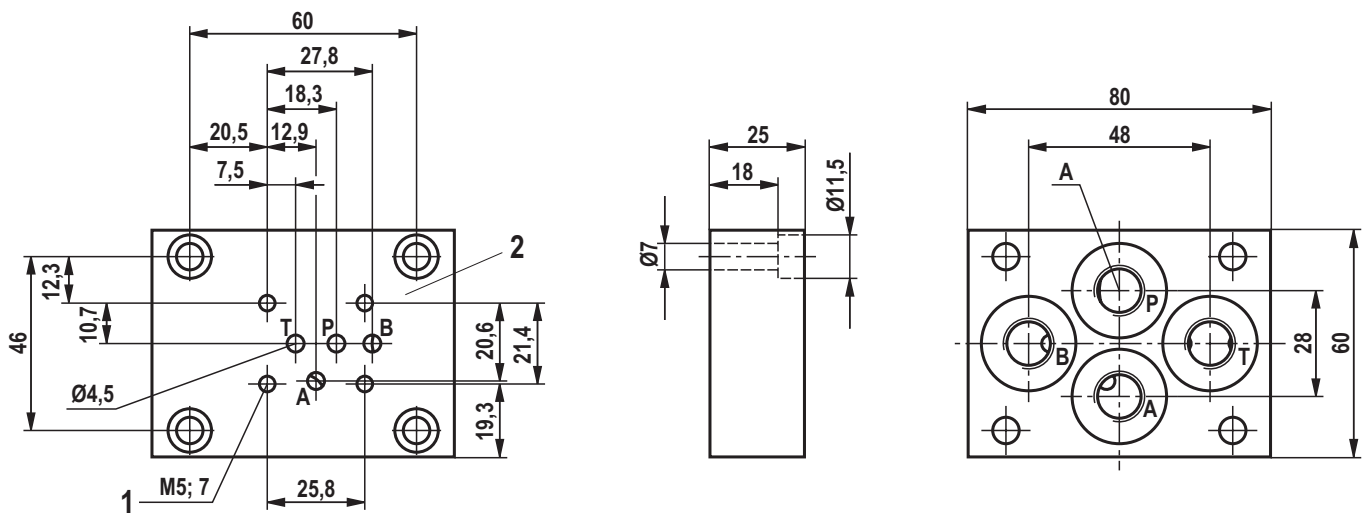
Denomination	Material number	Thread	A	Recess Ø	Weight in kg	p_{max} in bar
G04U4-1X/G1/4	R900527276	G1/4		22	0.6	350

Dimensions
(dimensions in mm)



- 1 Valve mounting thread
- 2 Valve contact surface

Denomination	Material number	Thread	A	Recess Ø	Weight in kg	p_{max} in bar
G05C4-1X/G1/4-S	R900424464	G1/4		22	0.5	350

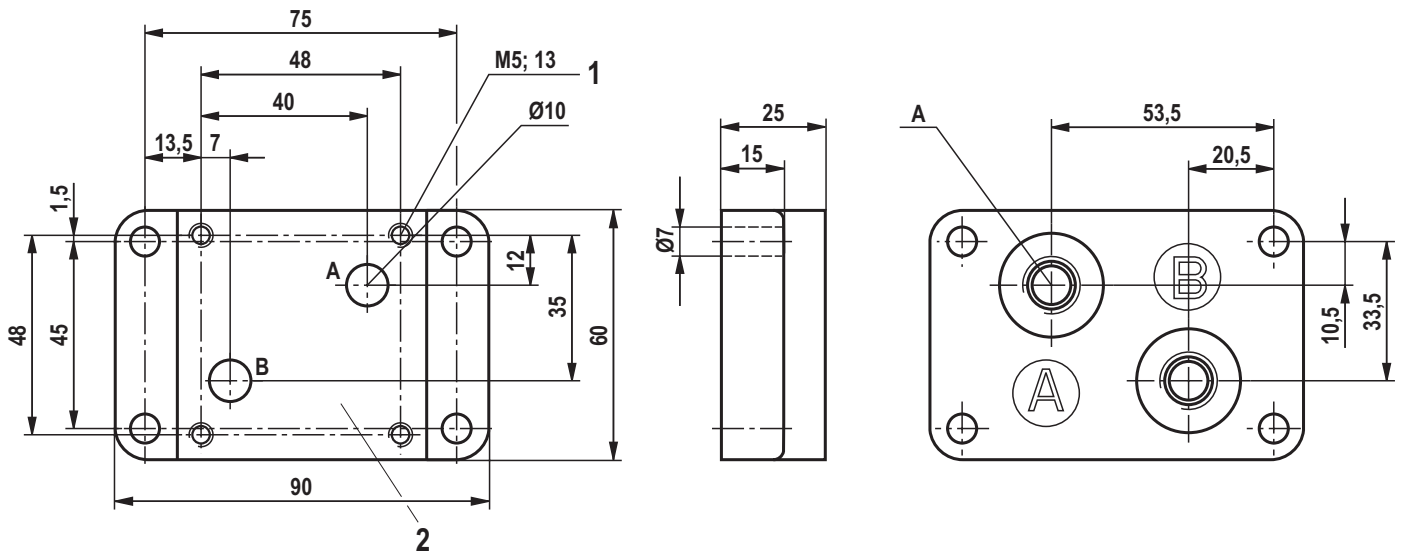


- 1 Valve mounting thread
- 2 Valve contact surface

Denomination	Material number	Thread	A	Recess Ø	Weight in kg	p_{max} in bar
G05C4-1X/G1/4	R900424379	G1/4		25	0.7	350

Dimensions

(dimensions in mm)

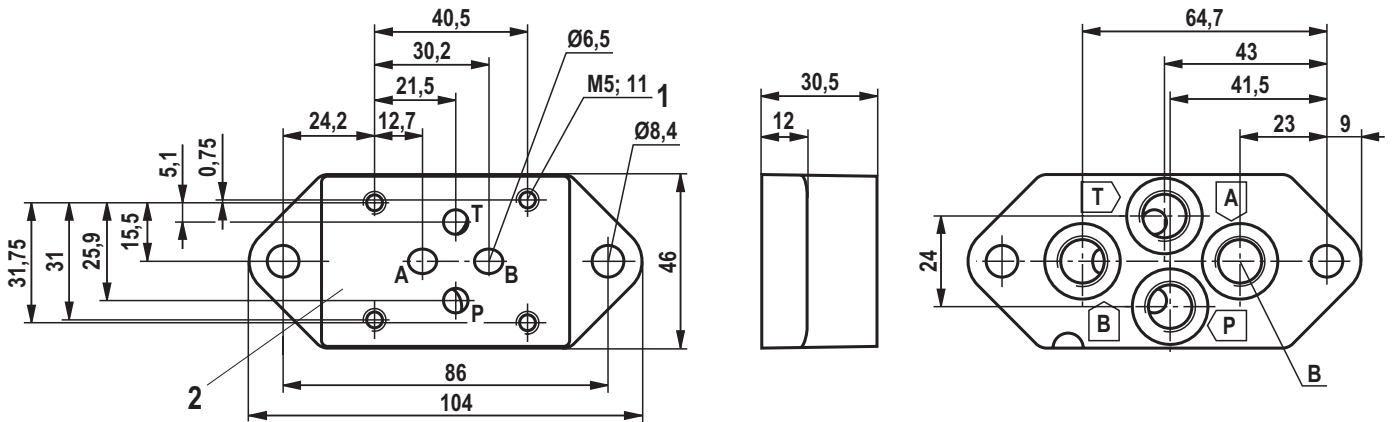


- 1 Valve mounting thread
2 Valve contact surface

Denomination	Material number	Thread	A	Weight in kg	p_{max} in bar
			Recess Ø		
G05G2-1X/G1/4	R900424453	G1/4	25	0.8	210
G05G2-1X/G1/2	R900424455	G1/2	34	0.8	210

Dimensions

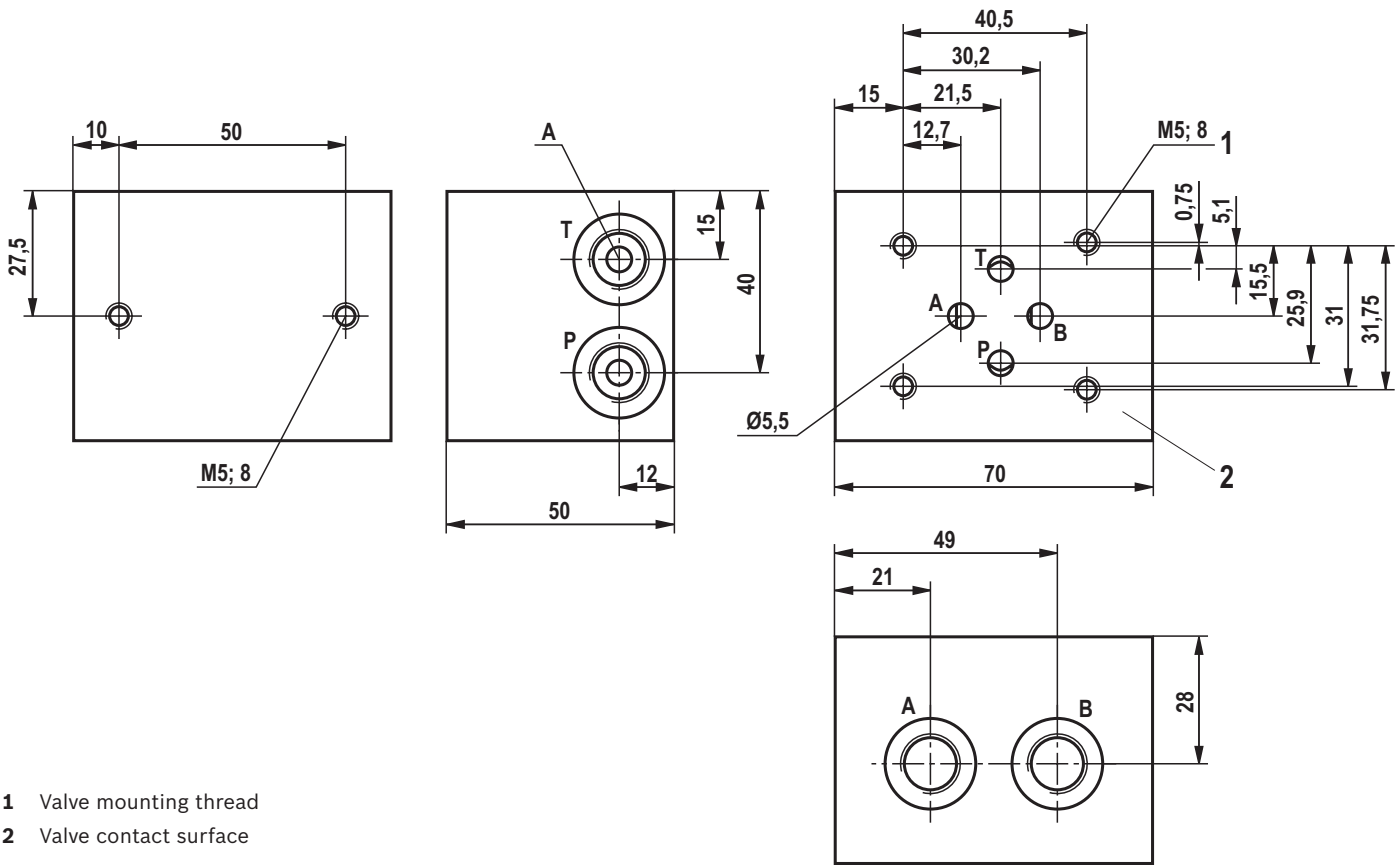
(dimensions in mm)



- 1 Valve mounting thread
- 2 Valve contact surface

Denomination	Material number	Thread	A Recess Ø	Weight in kg	p_{\max} in bar
G06A4-1X/G1/4-M	R901099586	G1/4	20	0.7	350
G06A4-1X/M14-M	R901099686	M14	20	0.7	350

Dimensions
(dimensions in mm)

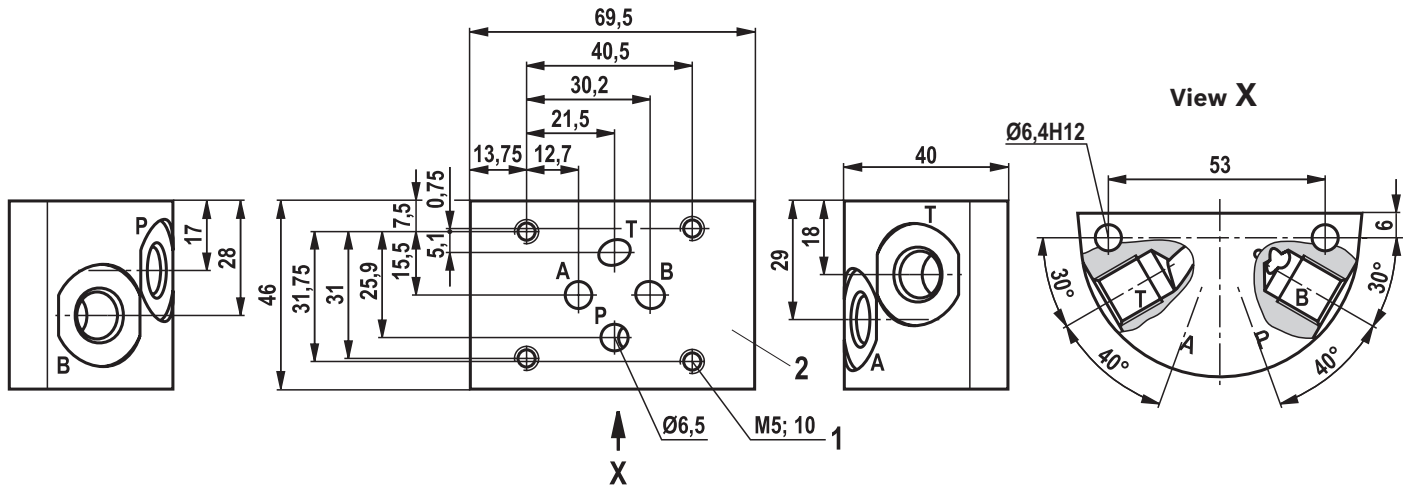


- 1 Valve mounting thread
- 2 Valve contact surface

Denomination	Material number	Thread	A	Recess Ø	Weight in kg	p_{max} in bar
G06A4-1X/G1/4-SL	R900422653	G1/4		20	1.4	420

Dimensions

(dimensions in mm)

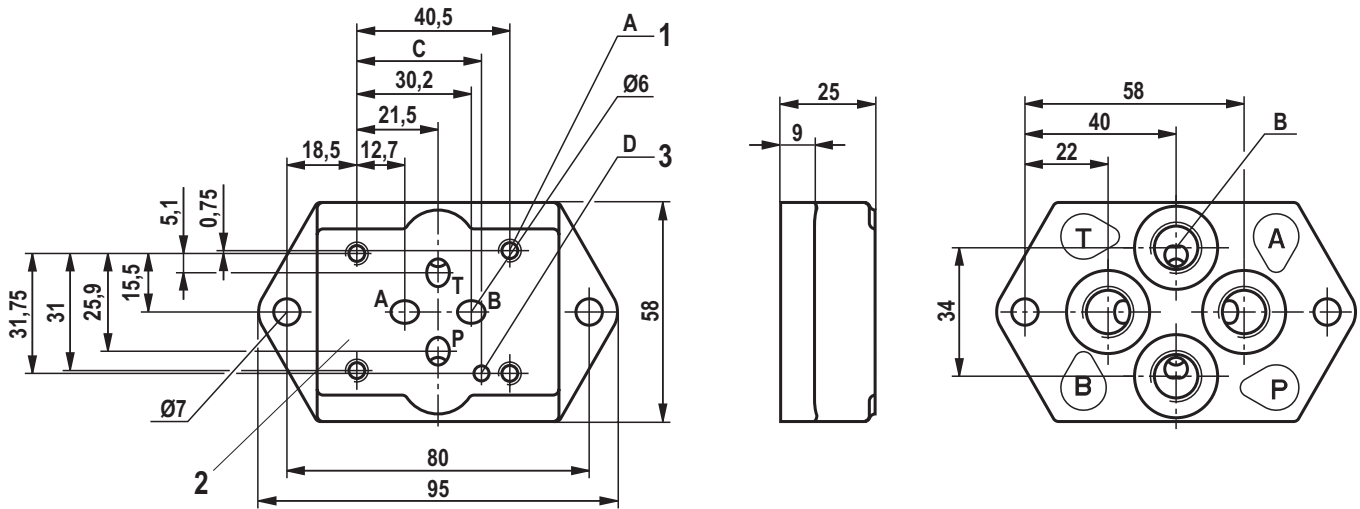


- 1 Valve mounting thread
2 Valve contact surface

Denomination	Material number	Thread	A Recess \varnothing	Weight in kg	p_{max} in bar
G06A4-1X/G1/4-S	R900617691	G1/4	25	6.2	350

Dimensions

(dimensions in mm)

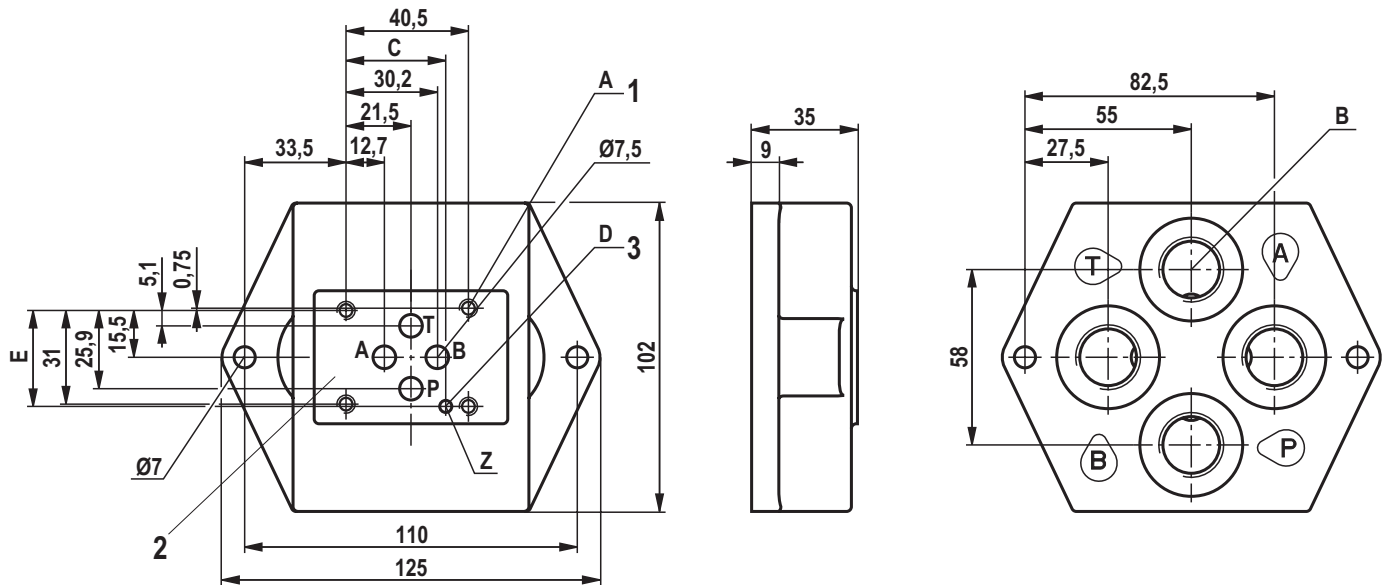


- 1 Valve mounting thread
- 2 Valve contact surface
- 3 Bore for locating pin

Denomination	Material number	A	B		C	D	Weight in kg	p _{max} in bar
			Thread	Recess Ø				
G06A4-1X/G1/4-L	R900424447	M5; 10 deep	G1/4	22	-	-	0.6	350
G06A4-1X/G1/4-J3	R900510636	M5; 10 deep	G1/4	22	-	-	0.6	350
G06A4-1X/M14-L	R900444738	M5; 10 deep	M14 x 1.5	22	-	-	0.6	350
G06A4-1X/UNF9/16-18-M	R900341065	10-24UNC; 10 deep	9/16-18UNF	25	-	-	0.6	350
G06A4-1X/UNF9/16-18-MJ3	R901439683	10-24UNC; 10 deep	9/16-18UNF	25	-	-	0.6	350
G06U4-1X/G1/4	R901027119	M5; 10 deep	G1/4	22	33	Ø 4; 4 deep	0.7	350
G06U4-1X/G1/4-J3	R901439682	M5; 10 deep	G1/4	22	33	Ø 4; 4 deep	0.7	350

Dimensions

(dimensions in mm)

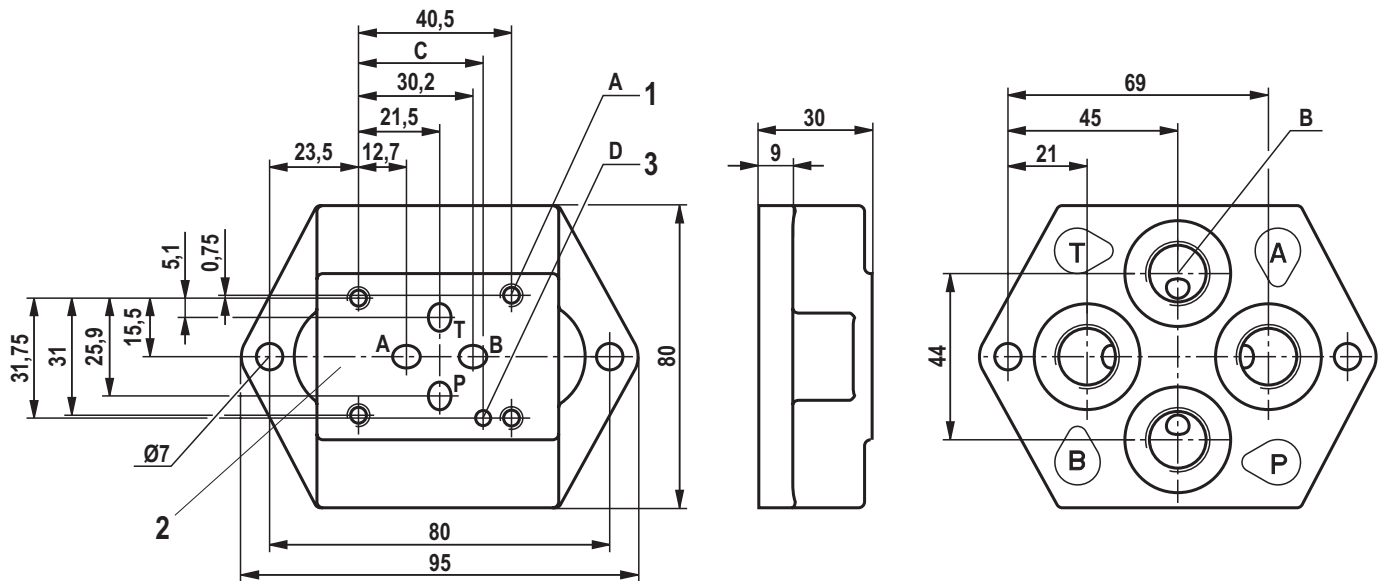


- 1 Valve mounting thread
- 2 Valve contact surface
- 3 Bore for locating pin

Denomination	Material number	A	B		C	D	E	Weight in kg	p_{max} in bar
			Thread	Recess \varnothing					
G06A4-1X/M22	R900469970	M5; 10 deep	M22 x 1.5	34	-	-	-	1.9	350
G06A4-1X/NPT1/2	R900494326	M5; 10 deep	NPT 1/2	-	-	-	-	1.9	350
G06A4-1X/G1/2-M	R900455110	M5; 10 deep	G1/2	34	-	-	-	1.9	350
G06A4-1X/G1/2-J3	R900519180	M5; 10 deep	G1/2	34	-	-	-	1.9	350
G06A4-1X/UNF3/4-16-L	R900487397	10-24UNC; 10 deep	3/4-16UNF	32	-	-	-	1.9	350
G06A4-1X/UNF3/4-16-LJ3	R901439687	10-24UNC; 10 deep	3/4-16UNF	32	-	-	-	1.9	350
G06U4-1X/G1/2	R901037457	M5; 10 deep	G1/2	34	33	\varnothing 4; 4 deep	31.75	1.9	350
G06U4-1X/G1/2-J3	R901439686	M5; 10 deep	G1/2	34	33	\varnothing 4; 4 deep	31.75	1.9	350

Dimensions

(dimensions in mm)

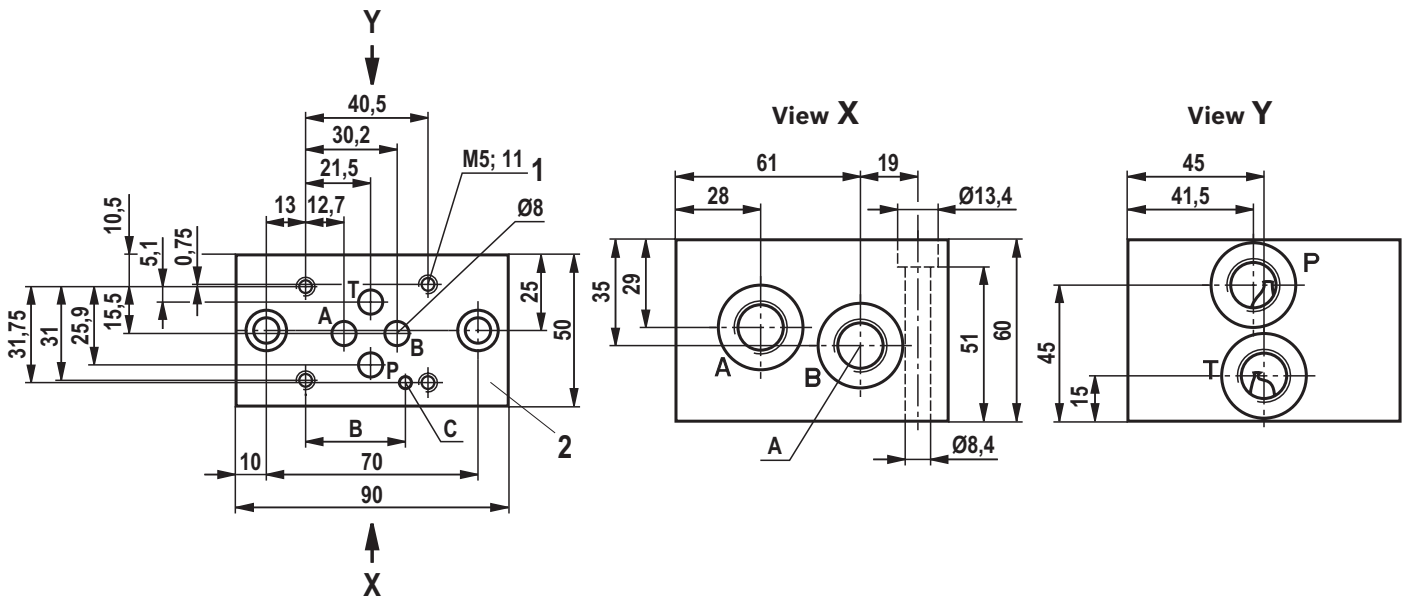


- 1 Valve mounting thread
- 2 Valve contact surface
- 3 Bore for locating pin

Denomination	Material number	A	B		C	D	Weight in kg	p_{max} in bar
			Thread	Recess Ø				
G06A4-1X/G3/8	R900424448	M5; 10 deep	G3/8	28	-	-	1.1	350
G06A4-1X/G3/8-J3	R900511297	M5; 10 deep	G3/8	28	-	-	1.1	350
G06A4-1X/M18	R900445838	M5; 10 deep	M18 x 1.5	25	-	-	1.1	350
G06A4-1X/UNF3/4-16-M	R900455128	10-24UNC; 10 deep	3/4-16UNF	30	-	-	1.1	350
G06A4-1X/UNF3/4-16-MJ3	R901439685	10-24UNC; 10 deep	3/4-16UNF	30	-	-	1.1	350
G06U4-1X/G3/8	R901043861	M5; 10 deep	G3/8	28	33	Ø 4; 4 deep	1.1	350
G06U4-1X/G3/8-J3	R901439684	M5; 10 deep	G3/8	28	33	Ø 4; 4 deep	1.1	350

Dimensions

(dimensions in mm)

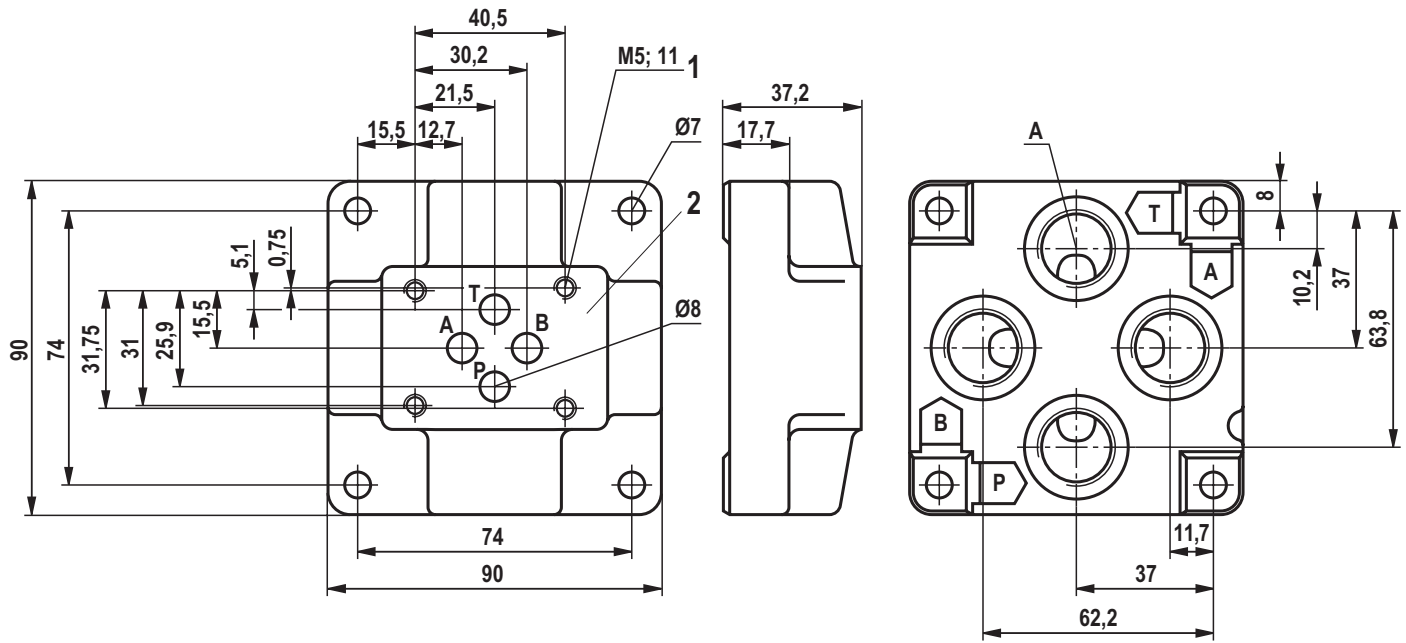


- 1 Valve mounting thread
- 2 Valve contact surface

Denomination	Material number	Thread	A	B	C	Weight in kg	p_{max} in bar
			Recess \varnothing				
G06A4-1X/G3/8-S	R901099691	G3/8	28	-	-	1.7	350
G06U4-1X/G3/8-S	R901107321	G3/8	28	33	4	1.7	350

Dimensions

(dimensions in mm)

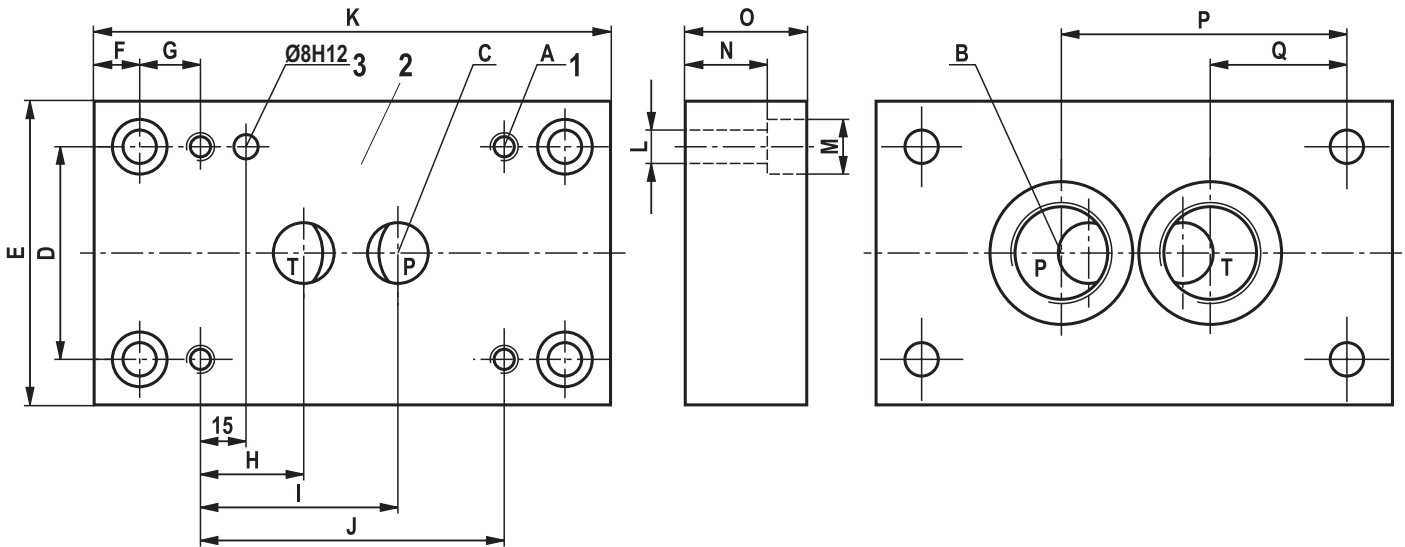


- 1 Valve mounting thread
- 2 Valve contact surface

Denomination	Material number	Thread	A	Recess \varnothing	Weight in kg
G06A4-1X/G1/2-L	R901099689	G1/2		28	1.4

Dimensions

(dimensions in mm)



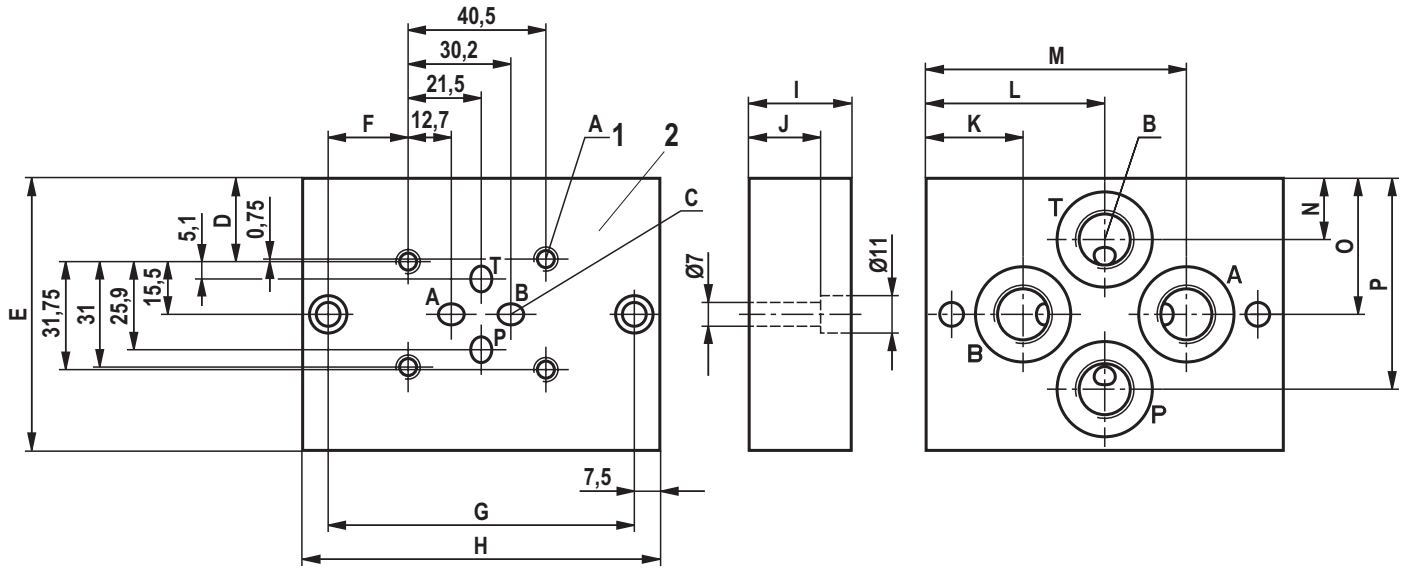
- 1 Valve mounting thread
- 2 Valve contact surface
- 3 Bore for locating pin

Denomination	Material number	A	B		C	D	E	F	G
			Thread	Recess Ø					
G06E2-1X/G1/4	R900425176	M6; 15 deep	G1/4	25	6	45	60	8	22
G06E2-1X/UNF7/16-20	R900497212	M6; 15 deep	7/16-20UNF	21	6	45	60	8	22
G10E2-1X/G3/8	R901092884	M8; 12 deep	G3/8	25	10	60	80	10	27.5
G10E2-1X/G1/2	R901092905	M8; 15 deep	G1/2	34	10	60	80	10	27.5
G20E2-1X/G3/4	R900422645	M8; 22 deep	G3/4	42	15	70	100	15	20
G20E2-1X/G1	R900422646	M8; 22 deep	G1	47	20	70	100	15	20
G30E2-1X/G1 1/4	R900424755	M10; 22 deep	G1 1/4	58	30	100	130	12.5	17.5
G30E2-1X/G1 1/2	R900422647	M10; 22 deep	G1 1/2	65	30	100	130	12.5	17.5

Denomination	H	I	J	K	L	M	N	O	P	Q	Weight in kg	p _{max} in bar
G06E2-1X/G1/4	20	40	55	110	6.6	11	16	25	73	47	1.1	400
G06E2-1X/UNF7/16-20	20	40	55	110	6.6	11	16	25	73	47	1.1	400
G10E2-1X/G3/8	21	45	70	135	6.6	11	16	25	90.5	50.5	2.0	630
G10E2-1X/G1/2	21	45	70	135	6.6	11	16	25	90.5	50.5	2.0	630
G20E2-1X/G3/4	34	65	100	170	11	18	27	40	96	60	4.5	400
G20E2-1X/G1	34	65	100	170	11	18	27	40	96	60	4.5	400
G30E2-1X/G1 1/4	35	85	130	190	11	18	28.5	40	125.5	54.5	6.3	315
G30E2-1X/G1 1/2	35	85	130	190	11	18	28.5	40	125.5	54.5	6.1	315

Dimensions

(dimensions in mm)



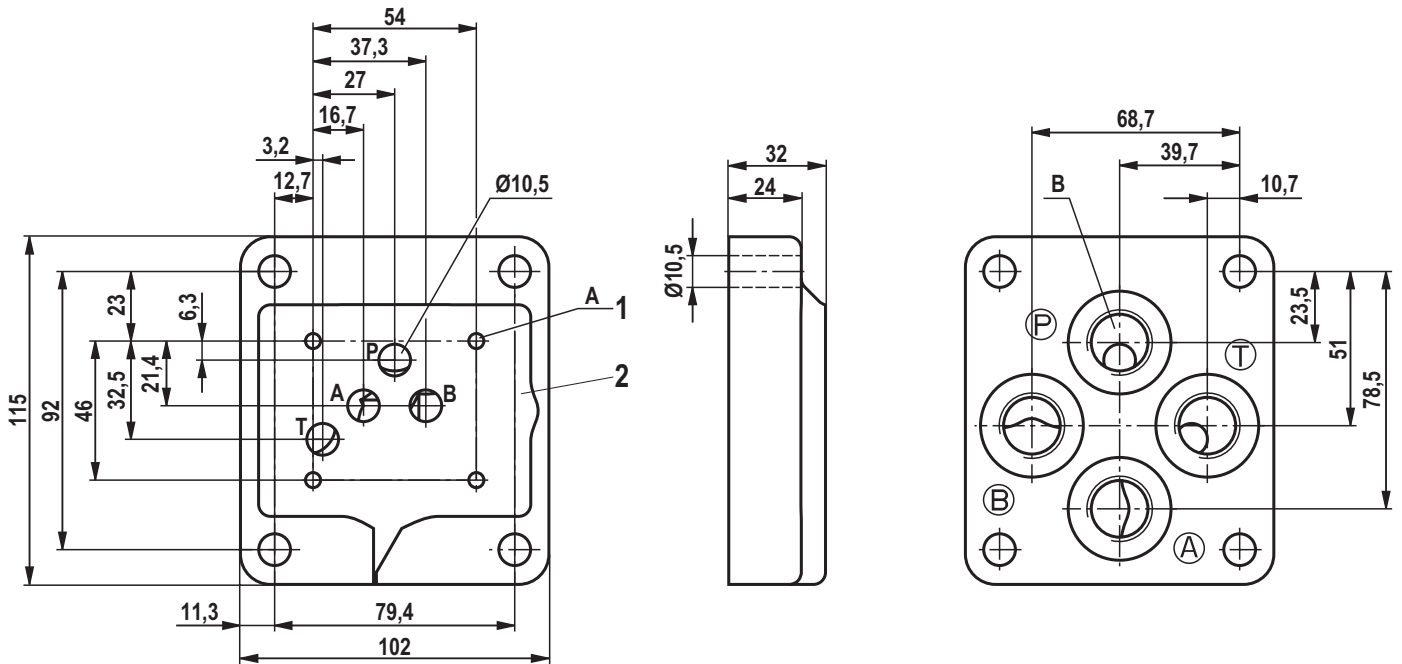
- 1 Valve mounting thread
- 2 Valve contact surface

Denomination	Material number	A	B		C	D	E	F
			Thread	Recess Ø				
G06A4-1X/G1/4-SO699	R901410336	M6; 10 deep	G1/4	22	6	13.5	58	18.5
G06V4-1X/G1/4	R900356736	M6; 10 deep	G1/4	22	6.2	13.5	58	18.5
G06V4-1X/G3/8	R900358639	M6; 10 deep	G3/8	28	6.2	24.5	80	23.5
W-G06V4-1X/G1/4	R900352174	M6; 10 deep	G1/4	22	6.0	13.5	58	18.5
W-G06A4-1X/G1/4	R900354070	M5; 10 deep	G1/4	22	6.0	13.5	58	18.5

Denomination	G	H	I	J	K	L	M	N	O	P	Weight in kg	p _{max} in bar
G06A4-1X/G1/4-SO699	80	95	25	16	29.5	47.5	65.5	12	29	46	1.0	500
G06V4-1X/G1/4	80	95	25	16	29.5	47.5	65.5	12	29	46	1.0	630
G06V4-1X/G3/8	90	105	30	21	28.5	52.5	76.5	18	40	62	1.8	630
W-G06V4-1X/G1/4	80	95	25	16	29.5	47.5	65.5	12	29	46	1.0	630
W-G06A4-1X/G1/4	80	95	25	16	29.5	47.5	65.5	12	29	46	1.0	420

Dimensions

(dimensions in mm)

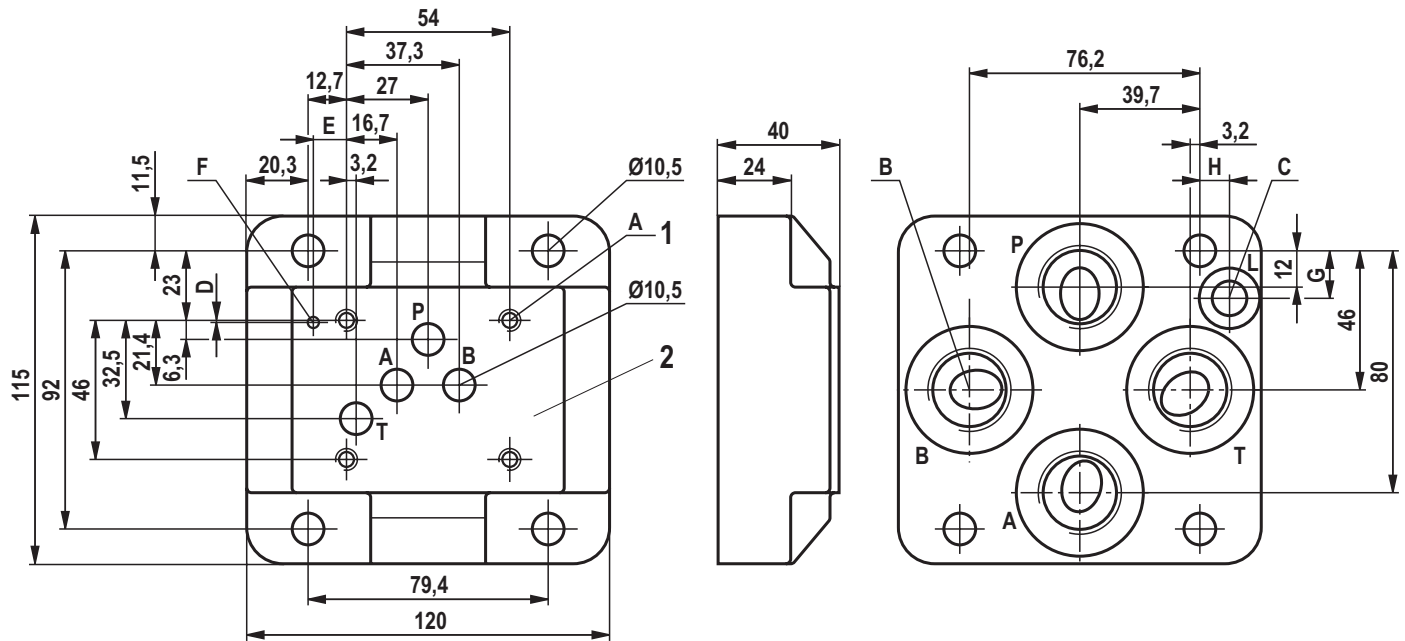


- 1 Valve mounting thread
2 Valve contact surface

Denomination	Material number	A	B		Weight in kg
			Thread	Recess Ø	
G10A4-1X/G3/8	R900424457	M6; 12 deep	G3/8	28	2.2
G10A4-1X/G3/8-J3	R900339374	M6; 12 deep	G3/8	28	2.2
G10A4-1X/G1/2	R900424460	M6; 12 deep	G1/2	34	2.2
G10A4-1X/G1/2-J3	R900436900	M6; 12 deep	G1/2	34	2.2
G10A4-1X/M18	R900474063	M6; 12 deep	M18 x 1.5	28	2.2
G10A4-1X/UNF9/16-18	R900460655	1/4-20UNC; 12 deep	9/16-18UNF	25	2.2
G10A4-1X/UNF3/4-16	R900460656	1/4-20UNC; 12 deep	3/4-16UNF	30	2.2

Dimensions

(dimensions in mm)



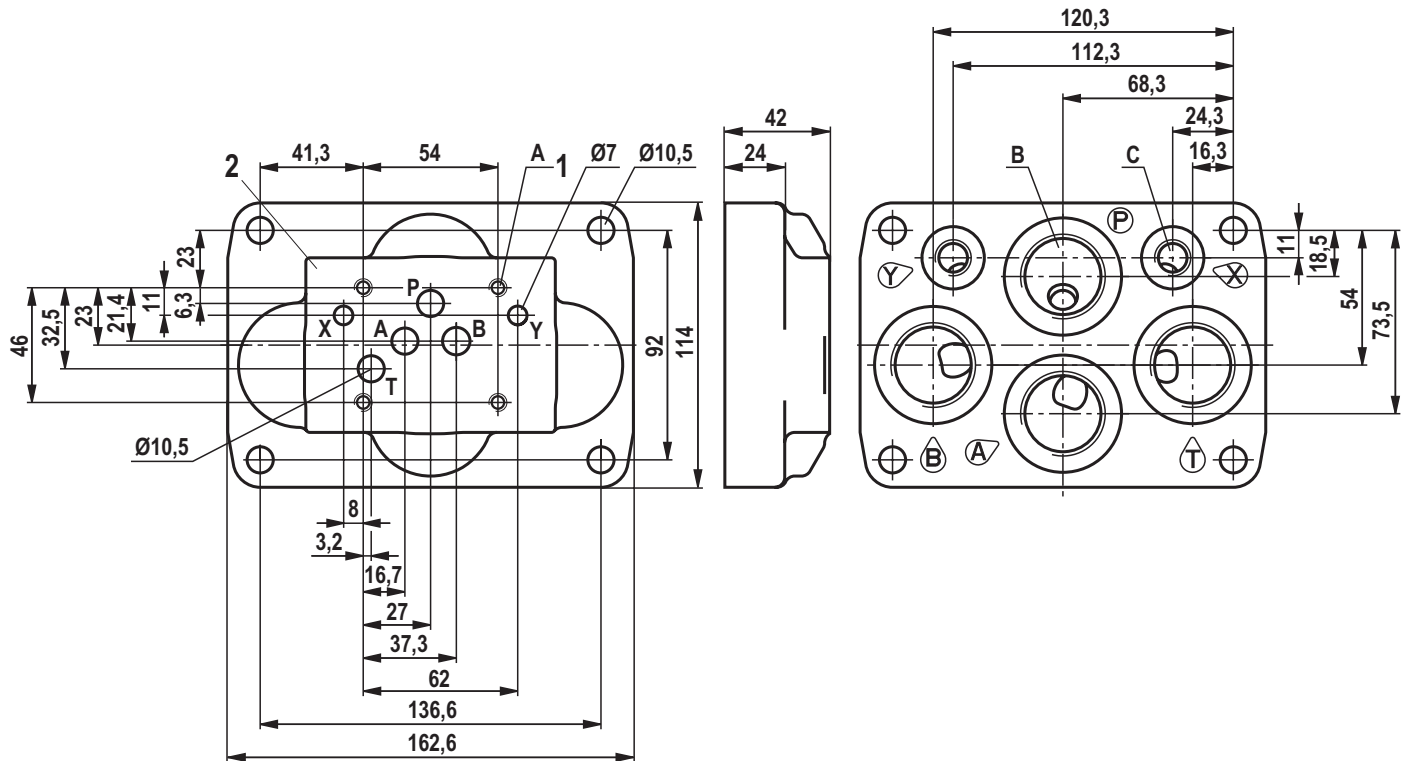
- 1 Valve mounting thread
- 2 Valve contact surface

Denomination	Material number	A	B	
			Thread	Recess Ø
G10A4-1X/G1/2-L	R900568135	M6; 12 deep	G1/2	34
G10A4-1X/G1/2G1/4-SO331	R901098950	M6; 12 deep	G1/2	34
G10A4-1X/G3/4	R900467259	M6; 12 deep	G3/4	42
G10A4-1X/G3/4-J3	R900382284	M6; 12 deep	G3/4	42
G10A4-1X/G3/4G1/4-SO331	R901088735	M6; 12 deep	G3/4	42
G10A4-1X/UN1 1/16-12	R900487398	1/4-20UNC; 12 deep	1 1/16-12UN	41

Denomination	Thread	C Recess Ø	D	E	F	G	H	Weight in kg
G10A4-1X/G1/2G1/4-SO331	G1/4	20	0.5	11	3.7	16	9.8	3.0
G10A4-1X/G3/4	-	-	-	-	-	-	-	3.0
G10A4-1X/G3/4-J3	-	-	-	-	-	-	-	3.0
G10A4-1X/G3/4G1/4-SO331	G1/4	20	0.5	11	3.7	16	9.8	3.0
G10A4-1X/UN1 1/16-12	-	-	-	-	-	-	-	3.0

Dimensions

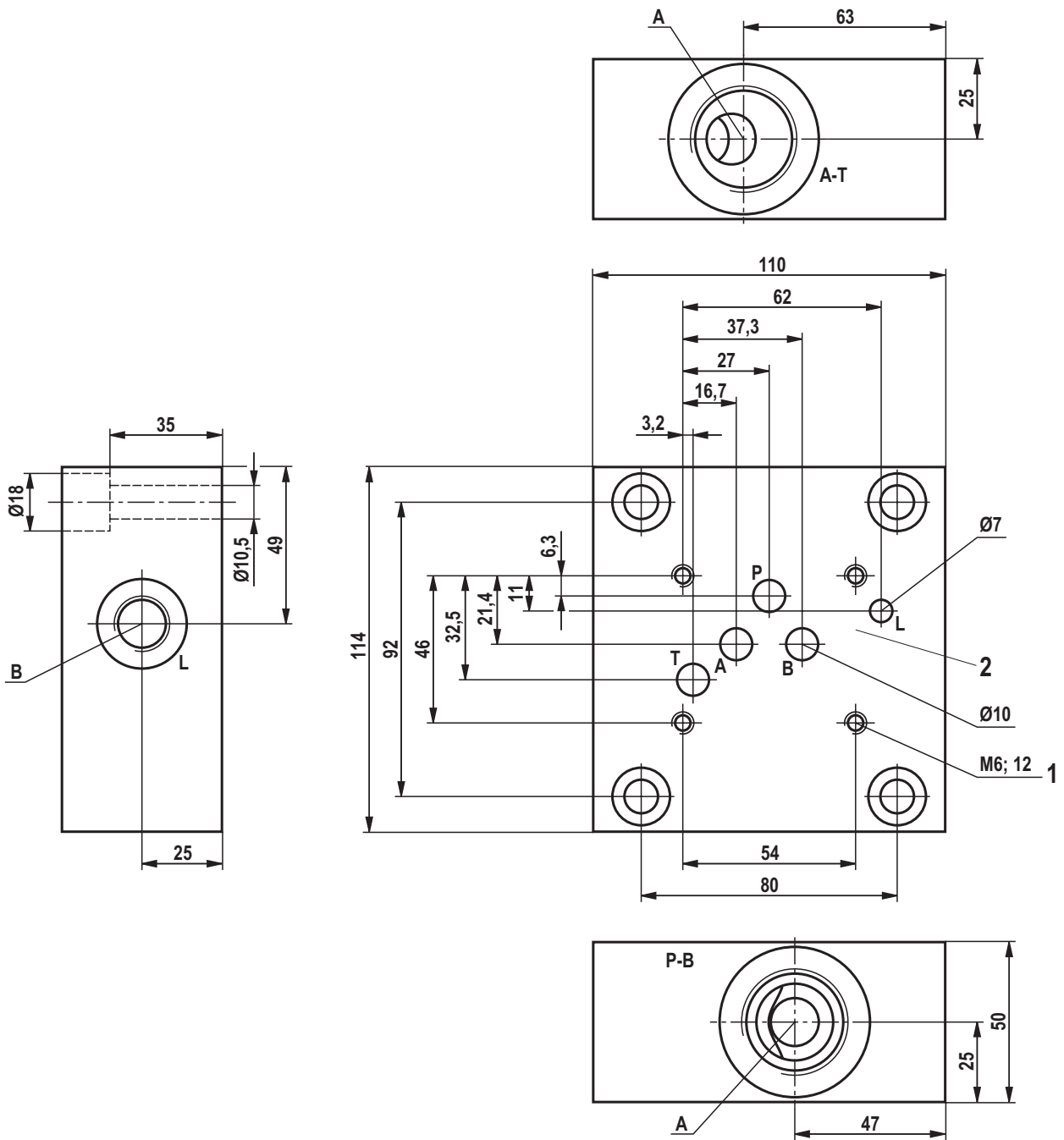
(dimensions in mm)



- 1 Valve mounting thread
2 Valve contact surface

Denomination	Material number	A	B		C		Weight in kg
			Thread	Recess Ø	Thread	Recess Ø	
G10A4-1X/G3/4G1/4	R900476061	M6; 12 deep	G3/4	42	G1/4	25	4.1
G10A4-1X/G3/4G1/4-J3	R900336998	M6; 12 deep	G3/4	42	G1/4	25	4.1
G10A4-1X/G1G1/4	R900476059	M6; 12 deep	G1	47	G1/4	25	3.8
G10A4-1X/G1G1/4-J3	R901439664	M6; 12 deep	G1	47	G1/4	25	3.8
G10A4-1X/M27M14	R900339376	M6; 12 deep	M27 x 2	42	M14 x 1.5	25	4.1
G10A4-1X/M33M14	R900489146	M6; 12 deep	M33 x 2	47	M14 x 1.5	25	3.8
G10A4-1X/UN1 1/16-12UNF20	R900340150	1/4-20UNC	1 1/16-12UN	41	7/16-20UNF	21	4.1
G10A4-1X/UN1 5/16-12UNF20	R900339737	1/4-20UNC	1 5/16-12UN	49	7/16-20UNF	21	4.1

Dimensions
(dimensions in mm)

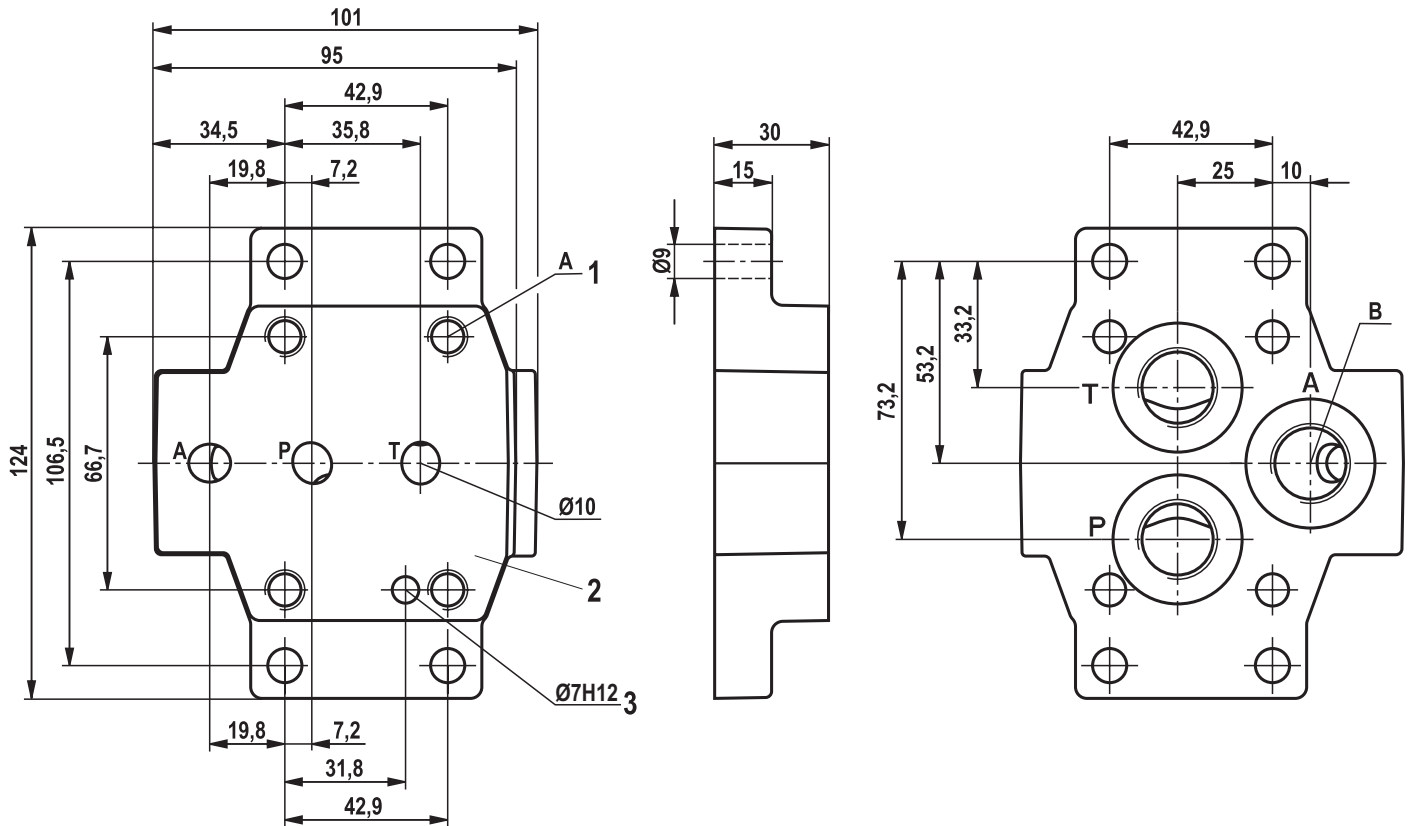


- 1 Valve mounting thread
- 2 Valve contact surface

Denomination	Material number	A		B		Weight in kg
		Thread	Recess Ø	Thread	Recess Ø	
G10A4-1X/G1G3/8-S-SO771	R900332829	G1	47	G3/8	28	3.8

Dimensions

(dimensions in mm)

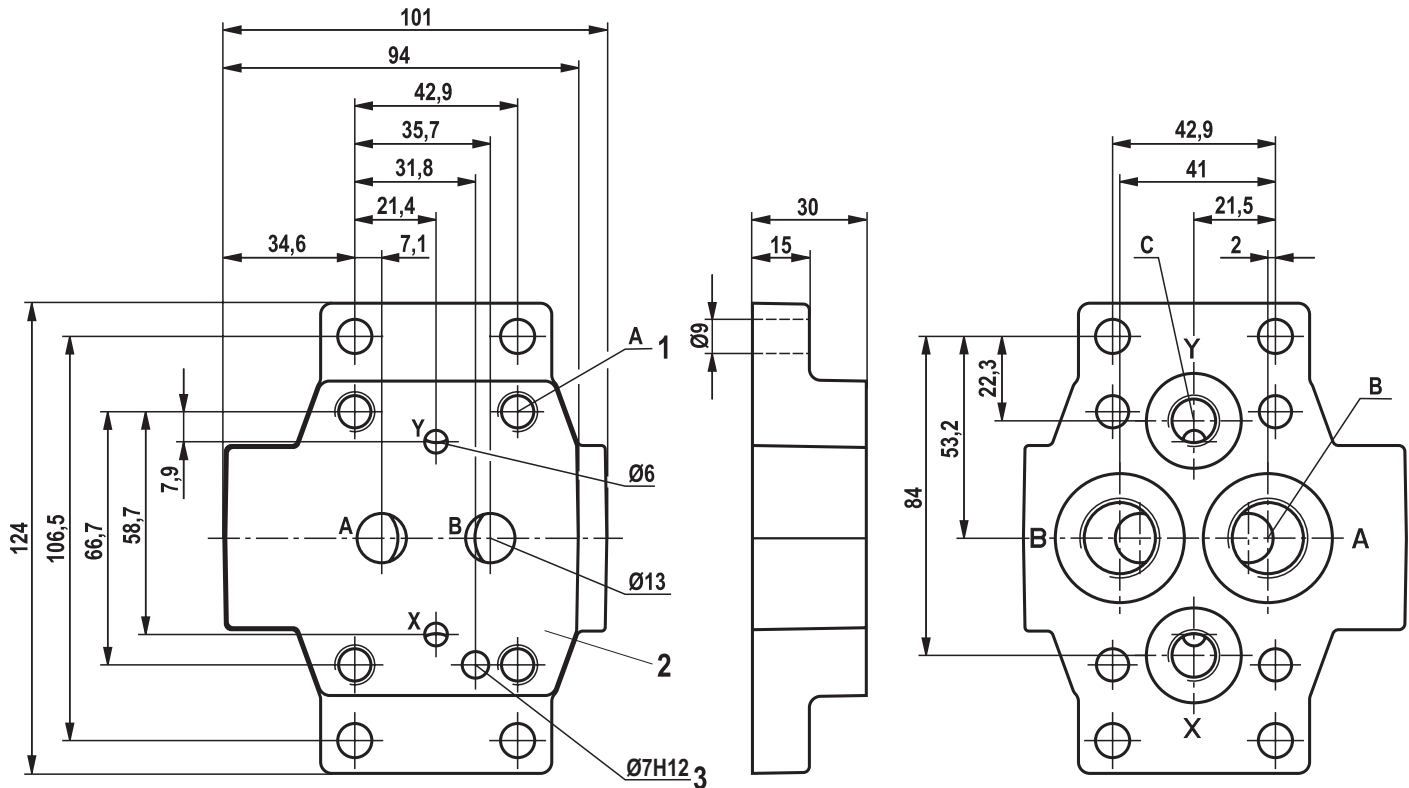


- 1 Valve mounting thread
- 2 Valve contact surface
- 3 Bore for locating pin

Denomination	Material number	A	B		C		Weight in kg	p_{max} in bar
			Thread	Recess Ø	Thread	Recess Ø		
G10D3-1X/G3/8	R900442409	M10; 24 deep	G3/8	28	G1/4	25	1.6	350
G10D3-1X/G1/2	R900453699	M10; 24 deep	G1/2	34	G1/4	25	1.6	350
G10D3-1X/UNF3/4-16	R900351415	3/8UNC; 24 deep	3/4-16UNF	32	7/16-20UNF	21	1.6	350

Dimensions

(dimensions in mm)

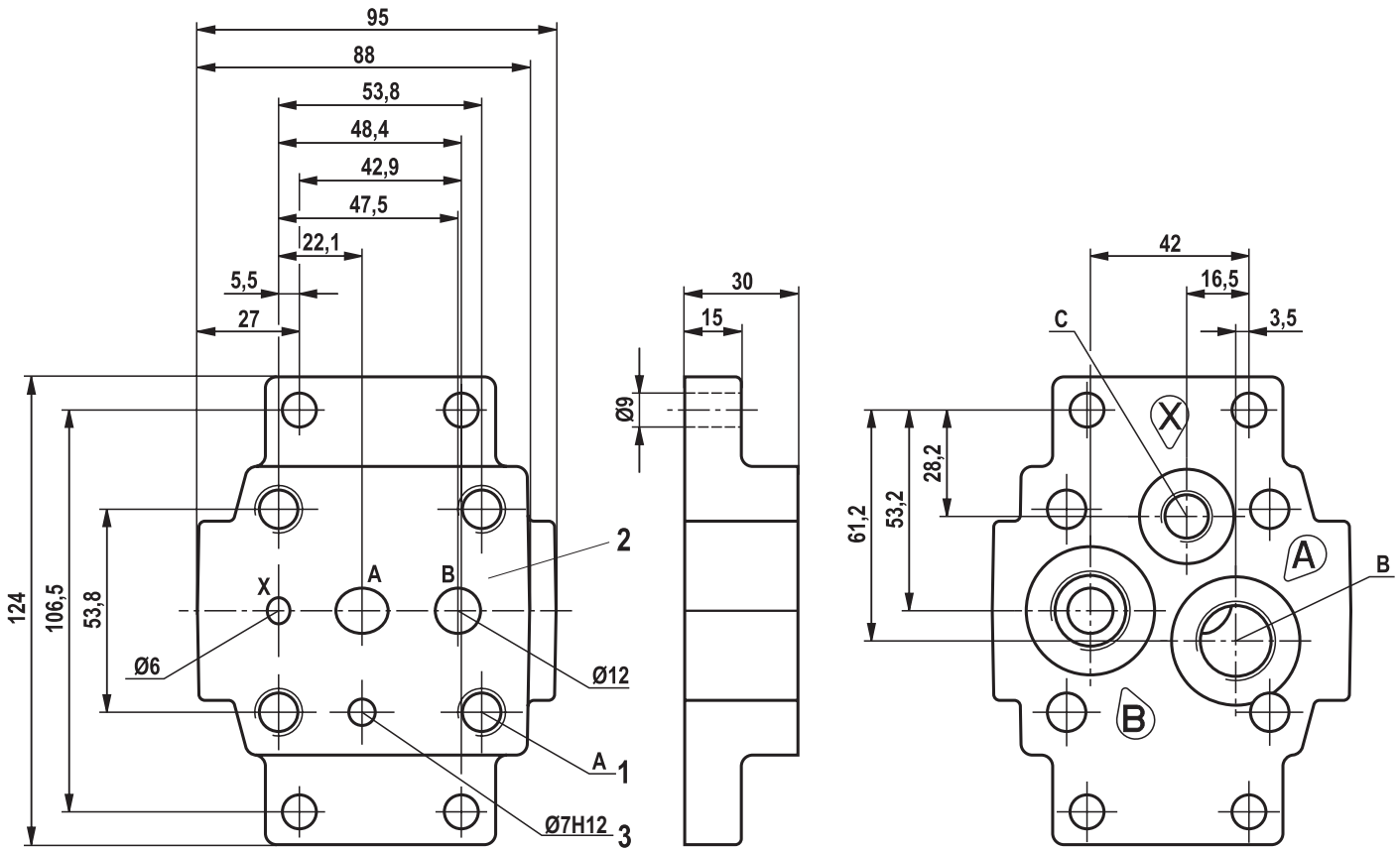


- 1 Valve mounting thread
- 2 Valve contact surface
- 3 Bore for locating pin

Denomination	Material number	A	B		C		Weight in kg	p_{max} in bar
			Thread	Recess Ø	Thread	Recess Ø		
G10D2-1X/G3/8G1/4	R900440640	M10; 23 deep	G3/8	28	G1/4	25	1.6	350
G10D2-1X/G1/2G1/4	R900439455	M10; 23 deep	G1/2	34	G1/4	25	1.6	350
G10D2-1X/G1/2G1/4-J3	R900463647	M10; 23 deep	G1/2	34	G1/4	25	1.6	350
G10D2-1X/UNF3/4-16UNF20	R900488054	3/8UNC; 23 deep	3/4-16UNF	32	7/16-20UNF	21	1.6	350
G10D2-1X/UNF9/16-18UNF20	R900361481	3/8UNC; 23 deep	9/16-18UNF	25	7/16-20UNF	21	1.6	350

Dimensions

(dimensions in mm)

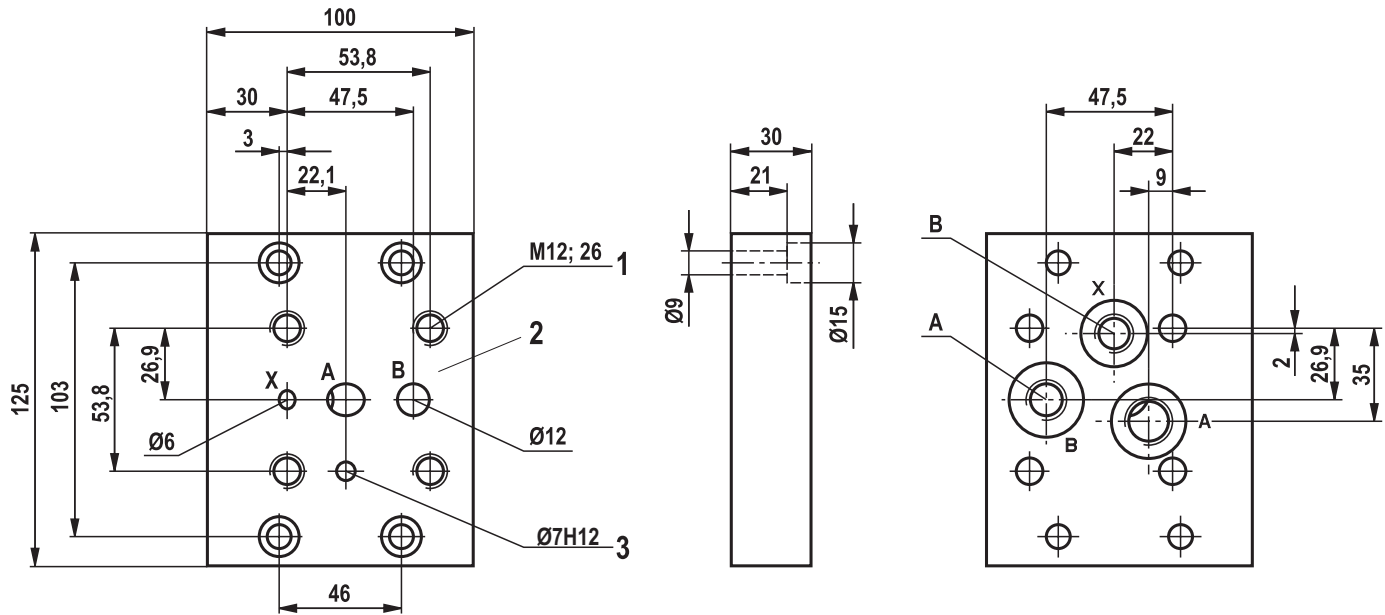


- 1 Valve mounting thread
- 2 Valve contact surface
- 3 Bore for locating pin

Denomination	Material number	A	B		C		Weight in kg	p_{\max} in bar
			Thread	Recess \varnothing	Thread	Recess \varnothing		
G10E2-1X/G3/8G1/4	R900411116	M12; 26 deep	G3/8	28	G1/4	25	1.6	350
G10E2-1X/G1/2G1/4	R900411117	M12; 26 deep	G1/2	34	G1/4	25	1.6	350
G10E2-1X/G1/2G1/4-J3	R901156999	M12; 26 deep	G1/2	34	G1/4	25	1.6	350
G10E2-1X/UNF3/4-16UNF20	R900339599	1/2UNC; 26 deep	3/4-16UNF	30	7/16-20UNF	21	1.6	350
G10E2-1X/UNF9/16-18UNF20	R900343968	1/2UNC; 26 deep	9/16-18UNF	25	7/16-20UNF	21	1.6	350

Dimensions

(dimensions in mm)

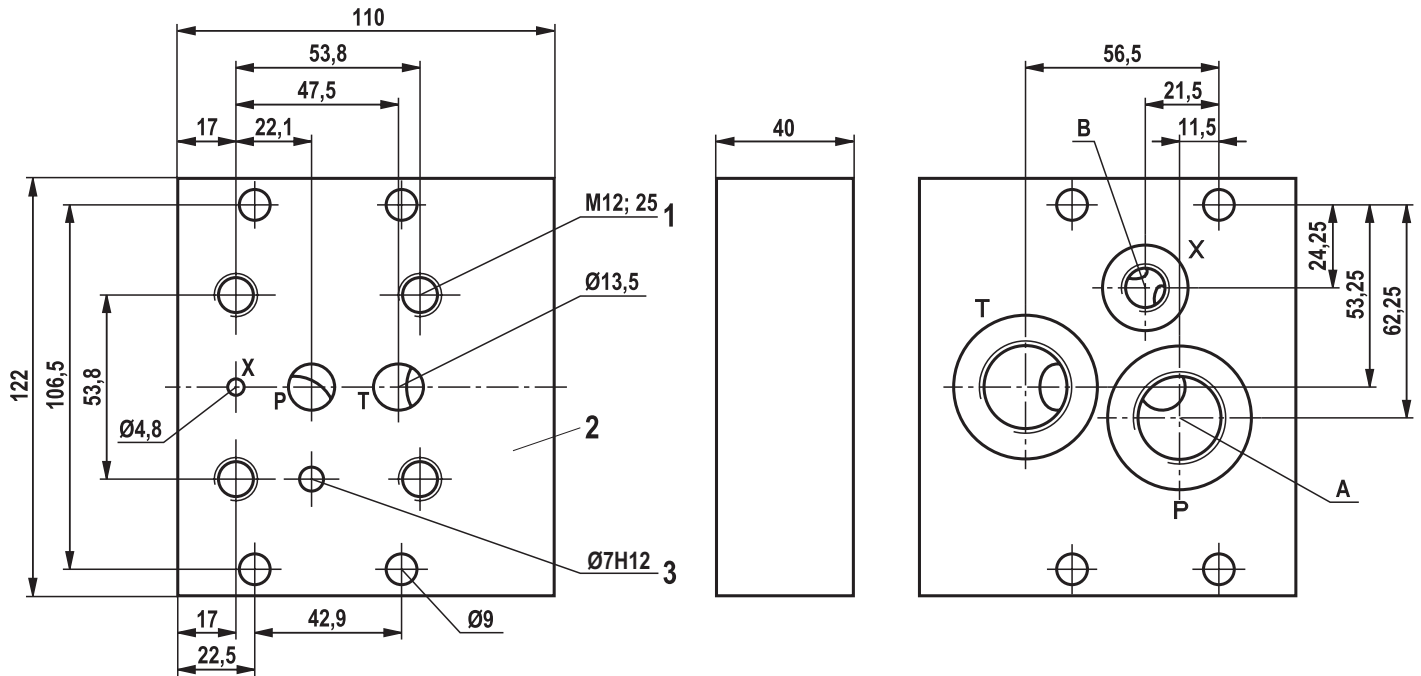


- 1 Valve mounting thread
- 2 Valve contact surface
- 3 Bore for locating pin

Denomination	Material number	A		B		Weight in kg	p_{\max} in bar
		Thread	Recess Ø	Thread	Recess Ø		
G10E2-1X/G3/8G1/4-SO699	R901408884	G3/8	28	G1/4	25	2.4	500

Dimensions

(dimensions in mm)

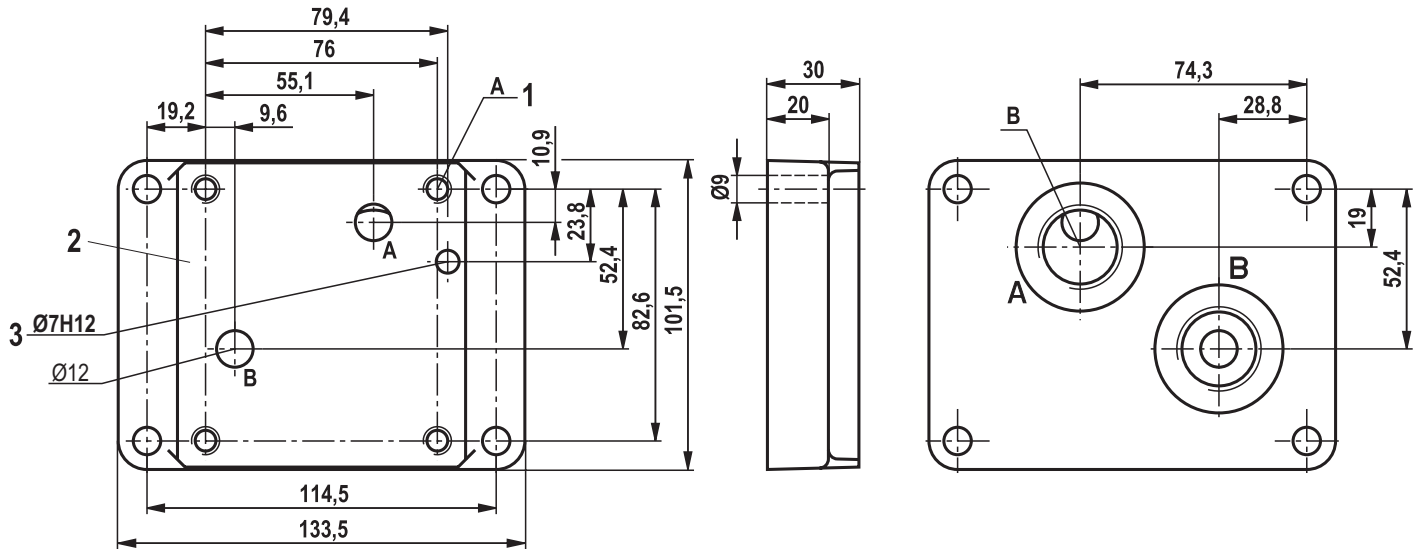


- 1 Valve mounting thread
- 2 Valve contact surface
- 3 Bore for locating pin

Denomination	Material number	A		B		Weight in kg	p_{\max} in bar
		Thread	Recess Ø	Thread	Recess Ø		
G10E2-1X/G3/4G1/4	R900489898	G3/4	42	G1/4	25	3.4	350

Dimensions

(dimensions in mm)

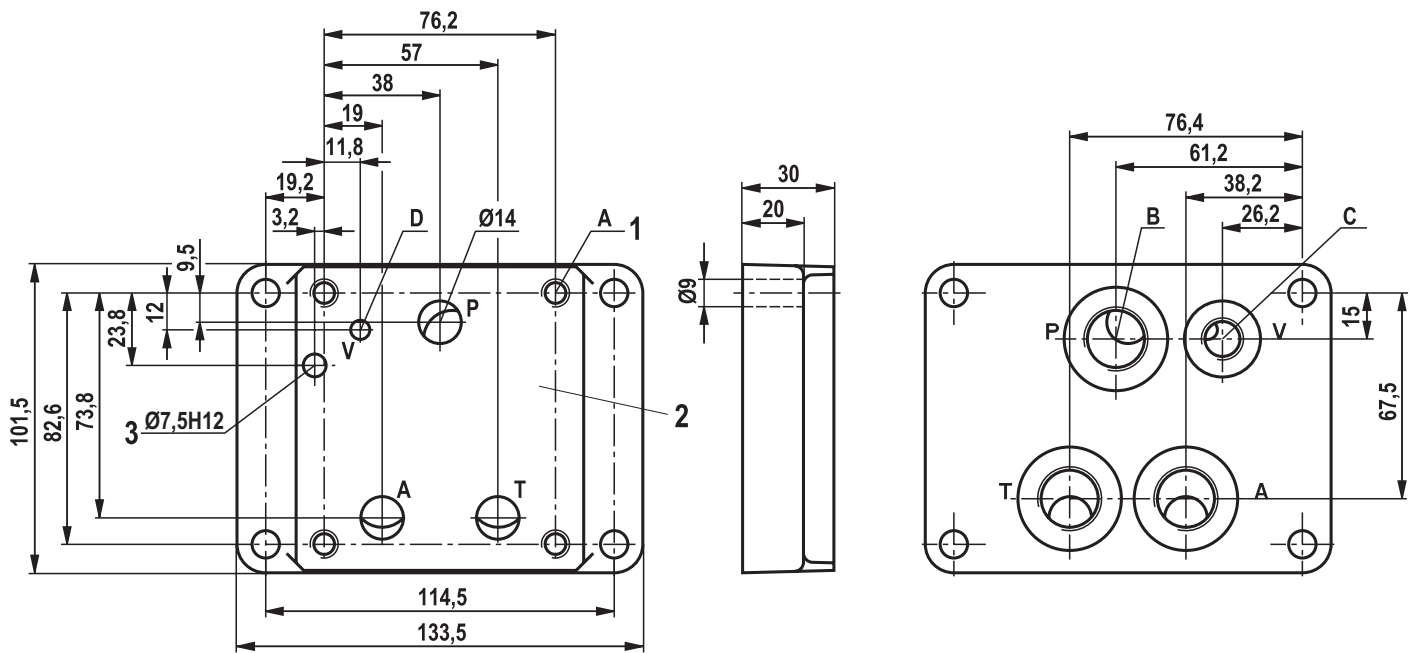


- 1 Valve mounting thread
- 2 Valve contact surface
- 3 Bore for locating pin

Denomination	Material number	A		Weight in kg	p_{max} in bar
		Thread	B Recess Ø		
G10G2-1X/G1/2	R900424433	M8; 13 deep	G1/2	2.5	350
G10G2-1X/G3/4	R900424437	M8; 13 deep	G3/4	2.5	350
G10G2-1X/UNF1 1/16-12	R900455127	5/16-18UNC; 18 deep	1 1/16-12UNF	2.5	350
G10G2-1X/UNF3/4-16	R900487923	5/16-18UNC; 18 deep	3/4-16UNF	2.5	350

Dimensions

(dimensions in mm)

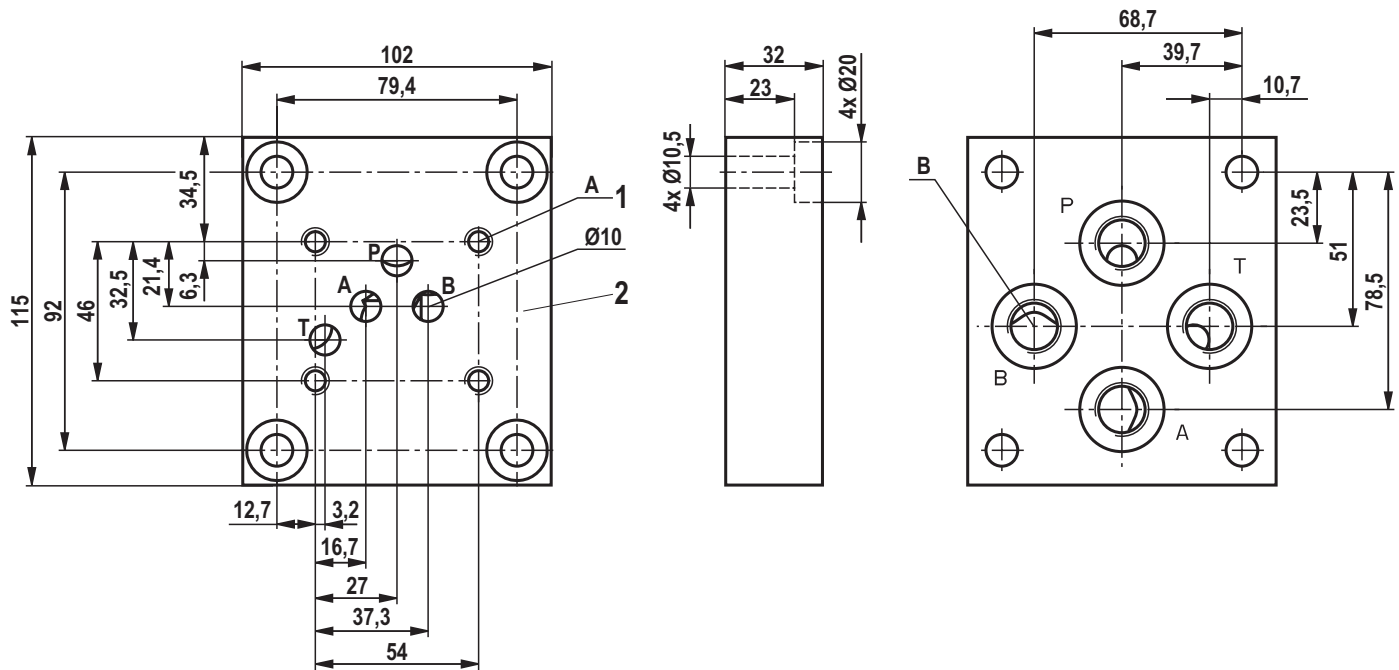


- 1 Valve mounting thread
- 2 Valve contact surface
- 3 Bore for locating pin

Denomination	Material number	A	B		C		D	Weight in kg	p_{max} in bar
			Thread	Recess \varnothing	Thread	Recess \varnothing			
G10G3-1X/G1/2	R900422654	M8; 13 deep	G1/2	34	-	-	-	2.6	315
G10G3-1X/G1/2G1/4	R900430216	M8; 13 deep	G1/2	34	G1/4	25	6.3	2.5	315

Dimensions

(dimensions in mm)

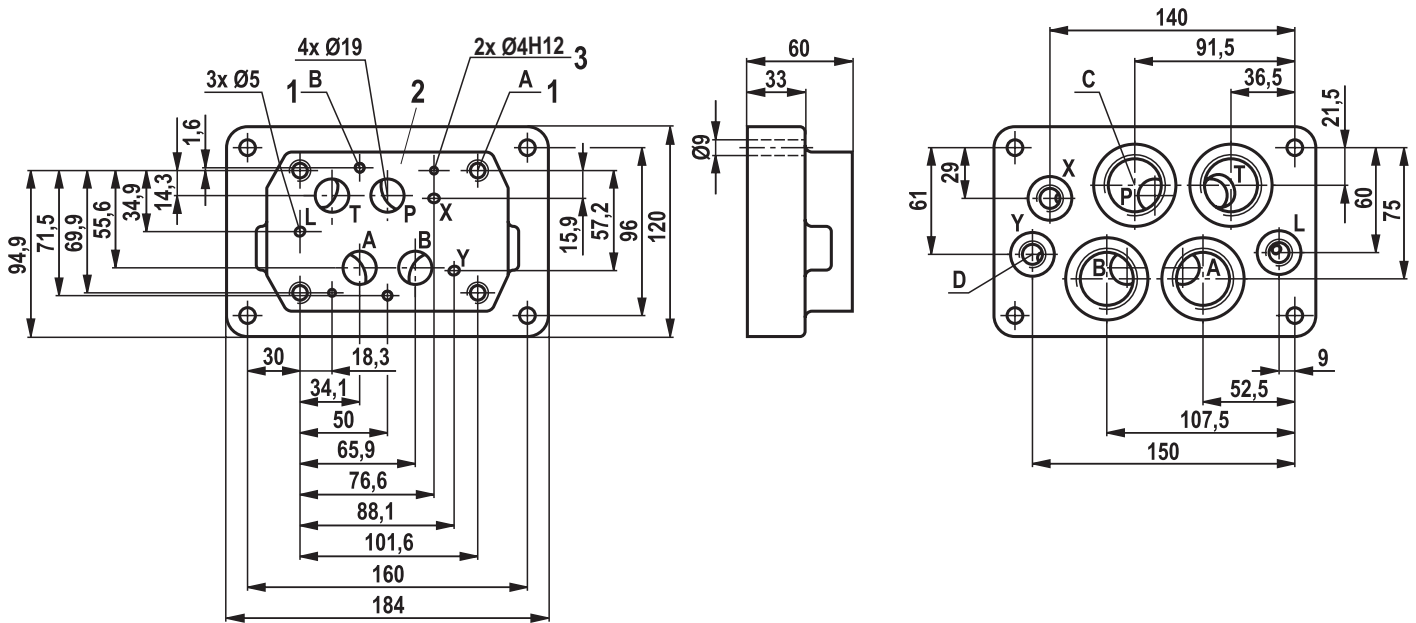


- 1 Valve mounting thread
- 2 Valve contact surface

Denomination	Material number	A		B		Weight in kg	p_{max} in bar
		Thread	Recess \varnothing	Thread	Recess \varnothing		
G10V4-1X/G3/8	R900464300	M8; 17 deep	G3/8	28	2.5	630	
G10V4-1X/G1/2	R900433026	M8; 17 deep	G1/2	34	2.5	630	
W-G10V4-1X/G1/2	R900407216	M8; 17 deep	G1/2	34	2.5	630	

Dimensions

(dimensions in mm)



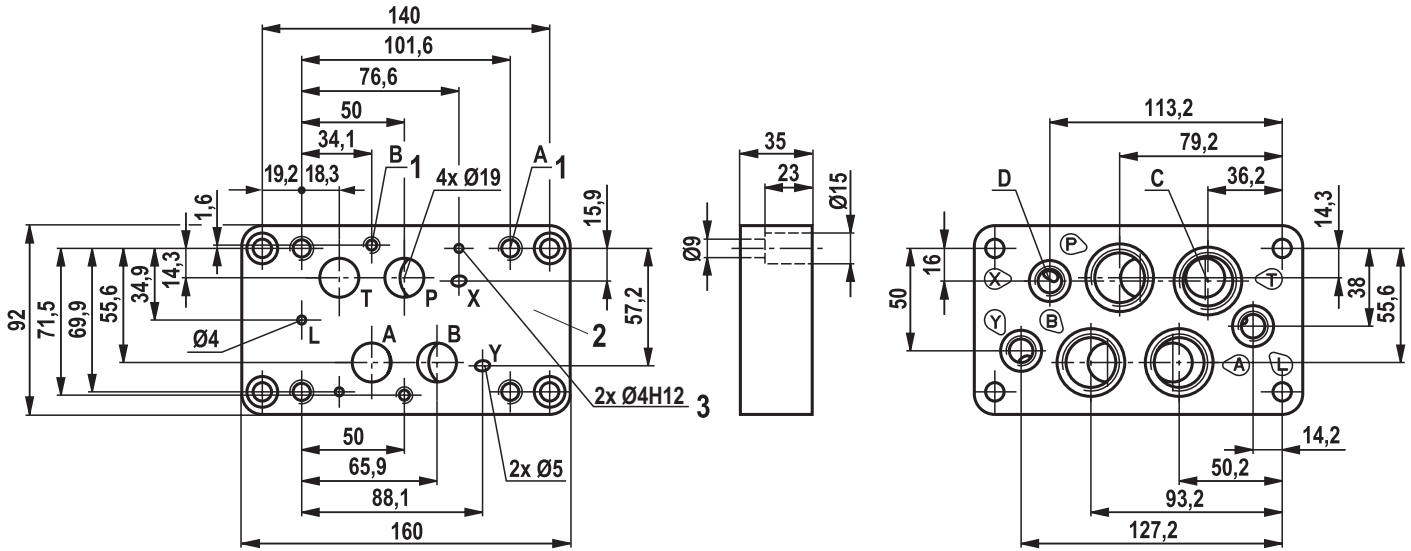
- 1 Valve mounting thread
- 2 Valve contact surface
- 3 Bore for locating pin

Denomination	Material number	A	B	C	
				Thread	Recess Ø
G16A4-1X/G1G1/4	R900424413	M10; 19 deep	M9; 19 deep	G1	47
G16A4-1X/G1G1/4-J3	R900433461	M10; 19 deep	M9; 19 deep	G1	47
G16A4-1X/M33M14	R900424414	M10; 19 deep	M9; 19 deep	M33 x 2	47
G16A4-1X/M33M14-J3	R901439671	M10; 19 deep	M9; 19 deep	M33 x 2	47
G16A4-1X/UN1 5/16-12UNF18	R900455126	3/8-16UNC; 17 deep	1/4-20UNC; 17 deep	1 5/16-UN	49

Denomination	Thread	D	Weight in kg	p _{max} in bar
G16A4-1X/G1G1/4	G1/4		6.4	350
G16A4-1X/G1G1/4-J3	G1/4		6.4	350
G16A4-1X/M33M14	M14 x 1.5		6.4	350
G16A4-1X/M33M14-J3	M14 x 1.5		6.4	350
G16A4-1X/UN1 5/16-12UNF18	9/16-UNF		6.4	350

Dimensions

(dimensions in mm)



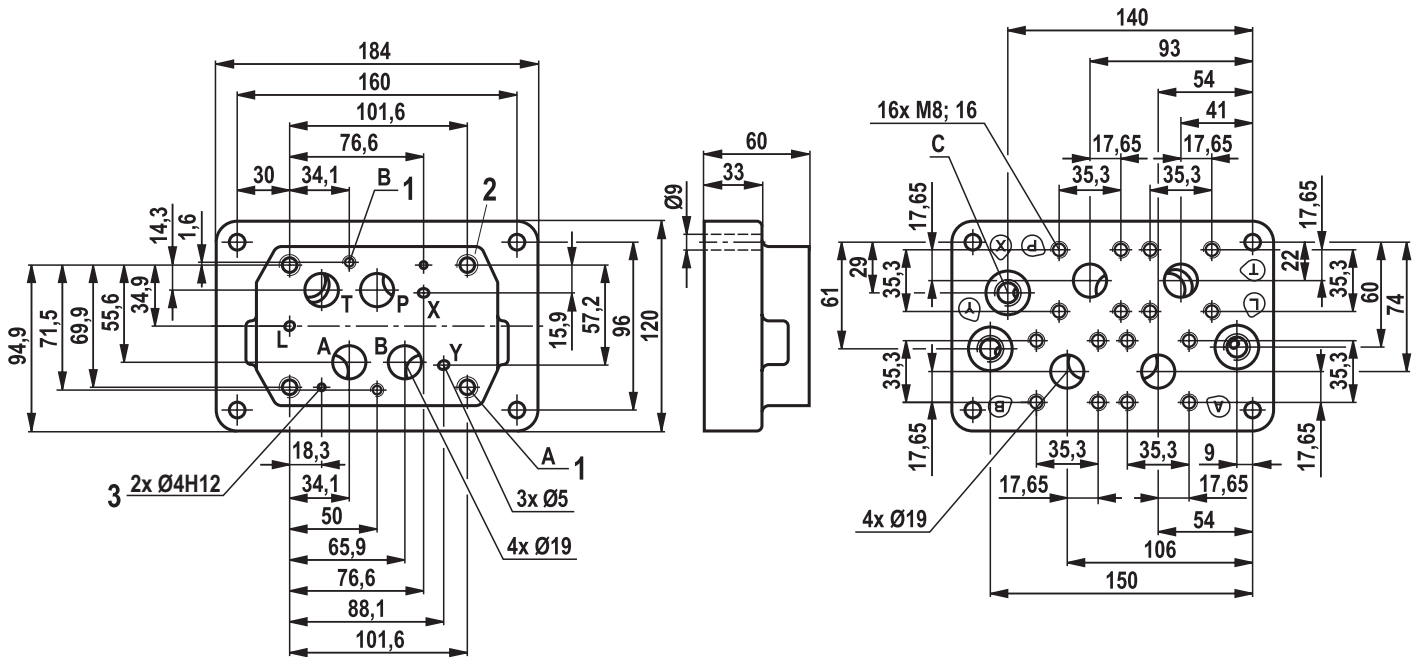
- 1 Valve mounting thread
- 2 Valve contact surface
- 3 Bore for locating pin

Denomination	Material number	A		B		C	
		Thread	Recess Ø	Thread	Recess Ø	Thread	Recess Ø
G16A4-1X/G3/4G1/4	R900424410	M10; 19 deep		M6; 19 deep		G3/4	33
G16A4-1X/G3/4G1/4-J3	R901439667	M10; 19 deep		M6; 19 deep		G3/4	33
G16A4-1X/M27M14	R900424411	M10; 19 deep		M6; 19 deep		M27 x 2	33
G16A4-1X/M27M14-J3	R901439670	M10; 19 deep		M6; 19 deep		M27 x 2	33
G16A4-1X/UN1 1/16-12UNF20	R900455125	3/4UNC; 17 deep		1/4UNC; 17 deep		1 1/16-12UN	41

Denomination	D		Weight in kg	p_{max} in bar
	Thread	Recess Ø		
G16A4-1X/G3/4G1/4	G1/4	20	2.9	350
G16A4-1X/G3/4G1/4-J3	G1/4	20	2.9	350
G16A4-1X/M27M14	M14 x 1.5	20	2.9	350
G16A4-1X/M27M14-J3	M14 x 1.5	20	2.9	350
G16A4-1X/UN1 1/16-12UNF20	7/16-20UNF	21	2.9	350

Dimensions

(dimensions in mm)



- 1 Valve mounting thread
- 2 Valve contact surface
- 3 Bore for locating pin

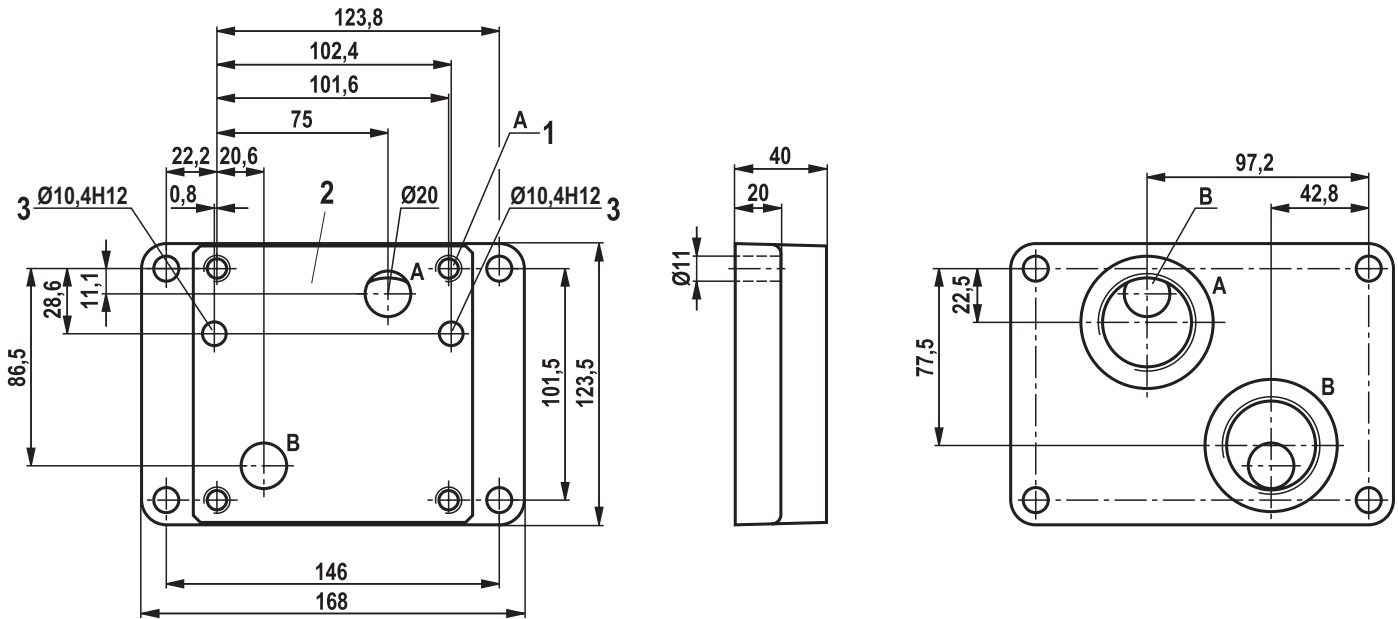
Denomination	Material number	A	B	C		Weight in kg	p_{\max} in bar
				Thread	Recess \varnothing		
G16A4-1X/FL19G1/4	R900429264	M10; 19 deep	M9; 19 deep	G1/4	25	6.7	350
G16A4-1X/FL19G1/4-J3	R901439672	M10; 19 deep	M9; 19 deep	G1/4	25	6.7	350

Connection flange

Material number	p_{\max} in bar
R900009271	250
R900009272	400

Dimensions

(dimensions in mm)

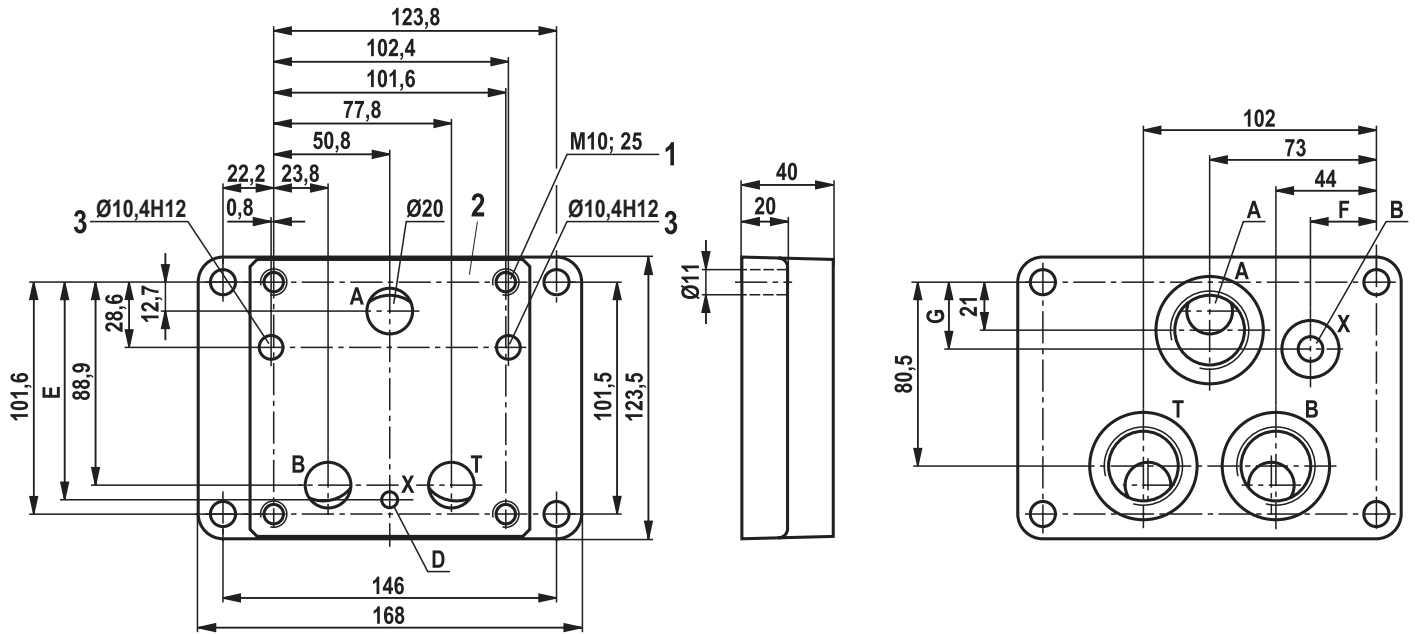


- 1 Valve mounting thread
- 2 Valve contact surface
- 3 Bore for locating pin

Denomination	Material number	A		B		Weight in kg	p_{max} in bar
				Thread	Recess \emptyset		
G16G2-1X/G1	R900424440	M10; 25 deep		G1	47	4.6	350
G16G2-1X/G1 1/4	R900424442	M10; 25 deep		G1 1/4	58	4.4	350
G16G2-1X/NPT1	R900431444	M10; 25 deep		NPT 1	-	4.7	350
G16G2-1X/UN1 5/16-12	R900487924	3/8UNC; 25 deep		1 5/16-12UN	50	4.6	350
G16G2-1X/UN1 5/8-12	R900357120	3/8UNC; 25 deep		1 5/8-12UN	60	4.4	350

Dimensions

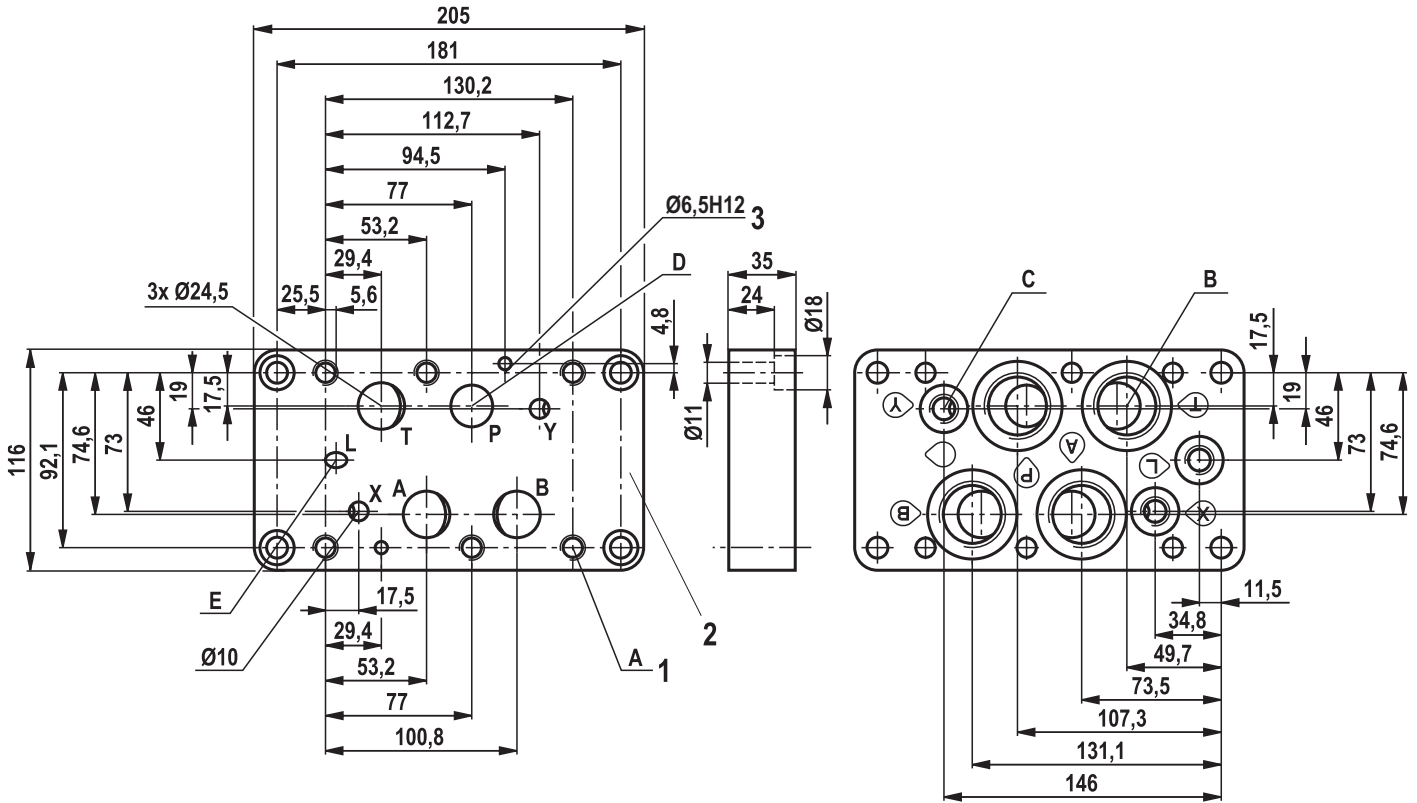
(dimensions in mm)



- 1 Valve mounting thread
- 2 Valve contact surface
- 3 Bore for locating pin

Denomination	Material number	A		B		D	E	F	G	Weight in kg	p_{max} in bar
		Thread	Recess Ø	Thread	Recess Ø						
G16G3-1X/G1	R900422655	G1	47	-	-	-	-	-	-	4.4	315
G16G3-1X/G1G1/4	R900422657	G1	47	G1/4	25	7	93.5	32	35.5	4.7	315

Dimensions
(dimensions in mm)



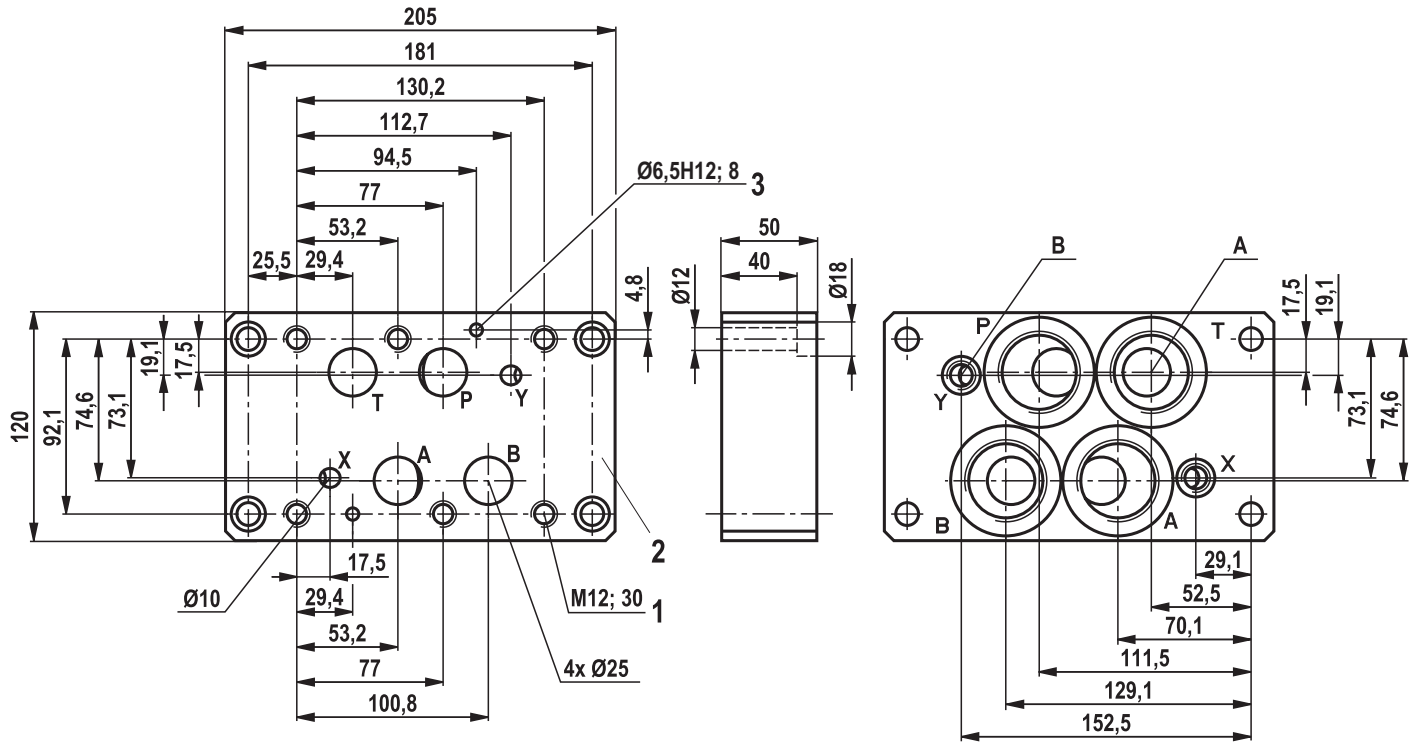
- 1 Valve mounting thread
- 2 Valve contact surface
- 3 Bore for locating pin

Denomination	Material number	A		B	
		Thread	Recess Ø	Thread	Recess Ø
G25A4-1X/G3/4G1/4	R900445877	M12; 25 deep	42	G3/4	42
G25A4-1X/G1G1/4	R900424392	M12; 25 deep	47	G1	47
G25A4-1X/G1G1/4-J3	R901439673	M12; 25 deep	47	G1	47
G25A4-1X/G1G1/4-SO003	R900424395	M12; 25 deep	47	G1	47
G25A4-1X/UN1 1/16-12UNF20-SO003	R900455872	1/2-13UNC; 25 deep	42	1 1/16-12UN	42
G25A4-1X/UN1 5/16-12UNF20-SO003	R900584166	1/2-13UNC; 25 deep	49	1 5/16-12UN	49

Denomination	Thread	C		D	E	Weight in kg
		Recess Ø	Recess Ø			
G25A4-1X/G3/4G1/4	G1/4	25	25	22	-	5.1
G25A4-1X/G1G1/4	G1/4	25	25	24.5	-	4.9
G25A4-1X/G1G1/4-J3	G1/4	25	25	24.5	-	4.9
G25A4-1X/G1G1/4-SO003	G1/4	25	25	24.5	8	4.9
G25A4-1X/UN1 1/16-12UNF20-SO003	7/16-20UNF-2B	21	21	22	8	5.1
G25A4-1X/UN1 5/16-12UNF20-SO003	7/16-20UNF-2B	21	21	22	8	4.9

Dimensions

(dimensions in mm)

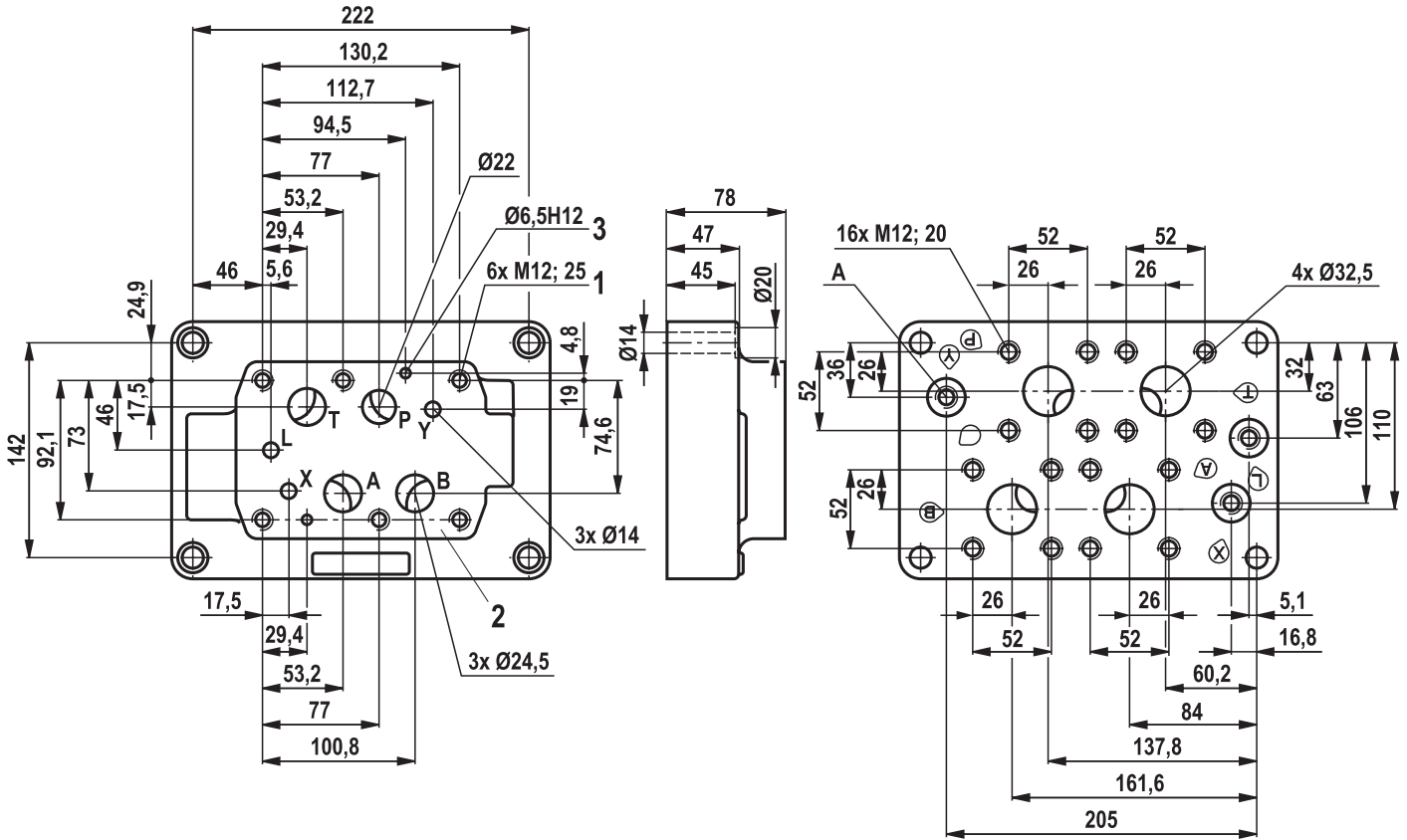


- 1 Valve mounting thread
- 2 Valve contact surface
- 3 Bore for locating pin

Denomination	Material number	A		B		Weight in kg	p_{\max} in bar
		Thread	Recess Ø	Thread	Recess Ø		
G25A4-1X/G1 1/4G1/4	R901099696	G1 1/4	58	G1/4	20	7.6	350

Dimensions

(dimensions in mm)

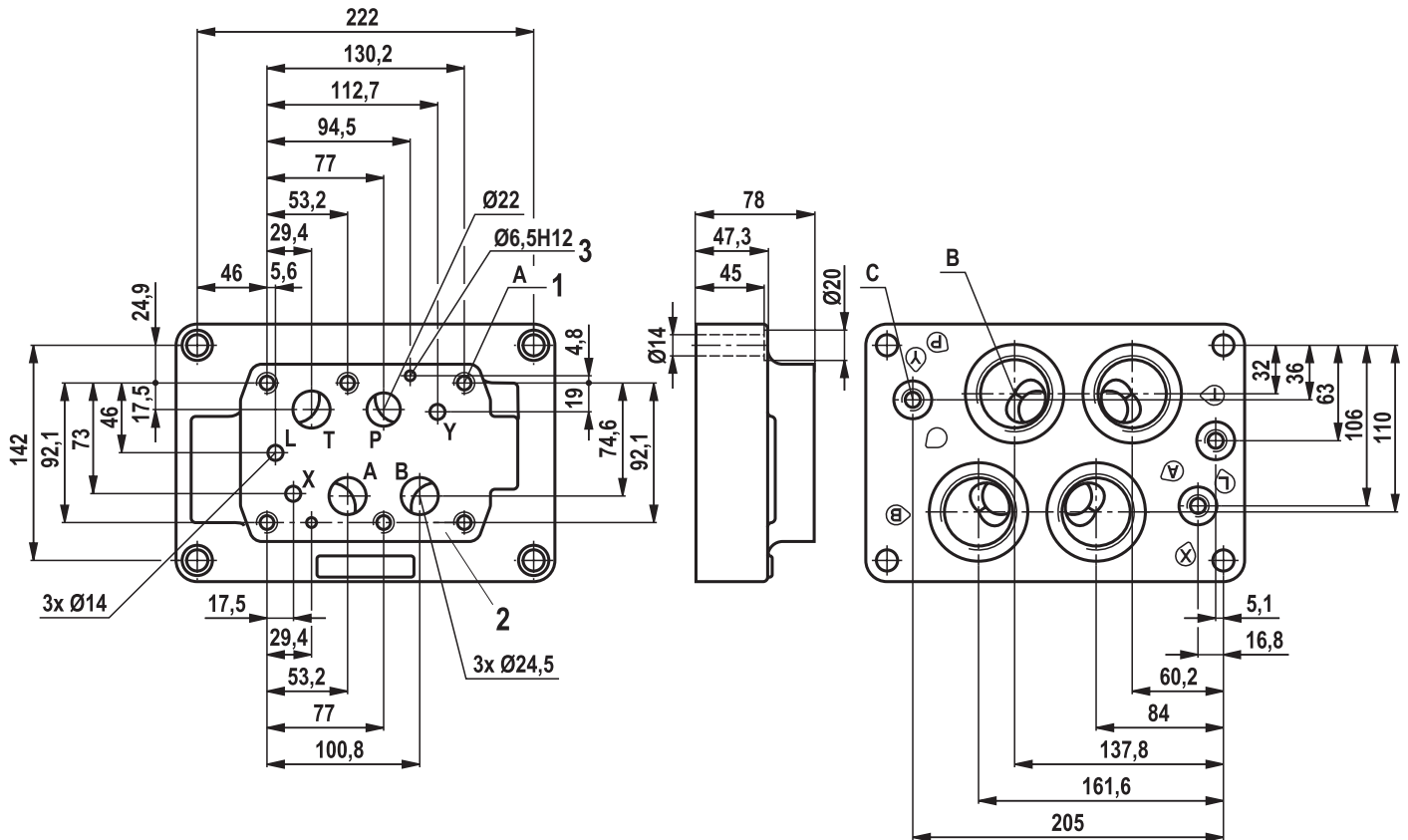


- 1 Valve mounting thread
- 2 Valve contact surface
- 3 Bore for locating pin

Denomination	Material number	Thread	B	Recess Ø	Weight in kg
G25A4-1X/FL32G1/4-SO003	R900424398	G1/4		25	16.3
G25A4-1X/FL32G1/4-J3-SO003	R901439676	G1/4		25	16.3

Dimensions

(dimensions in mm)



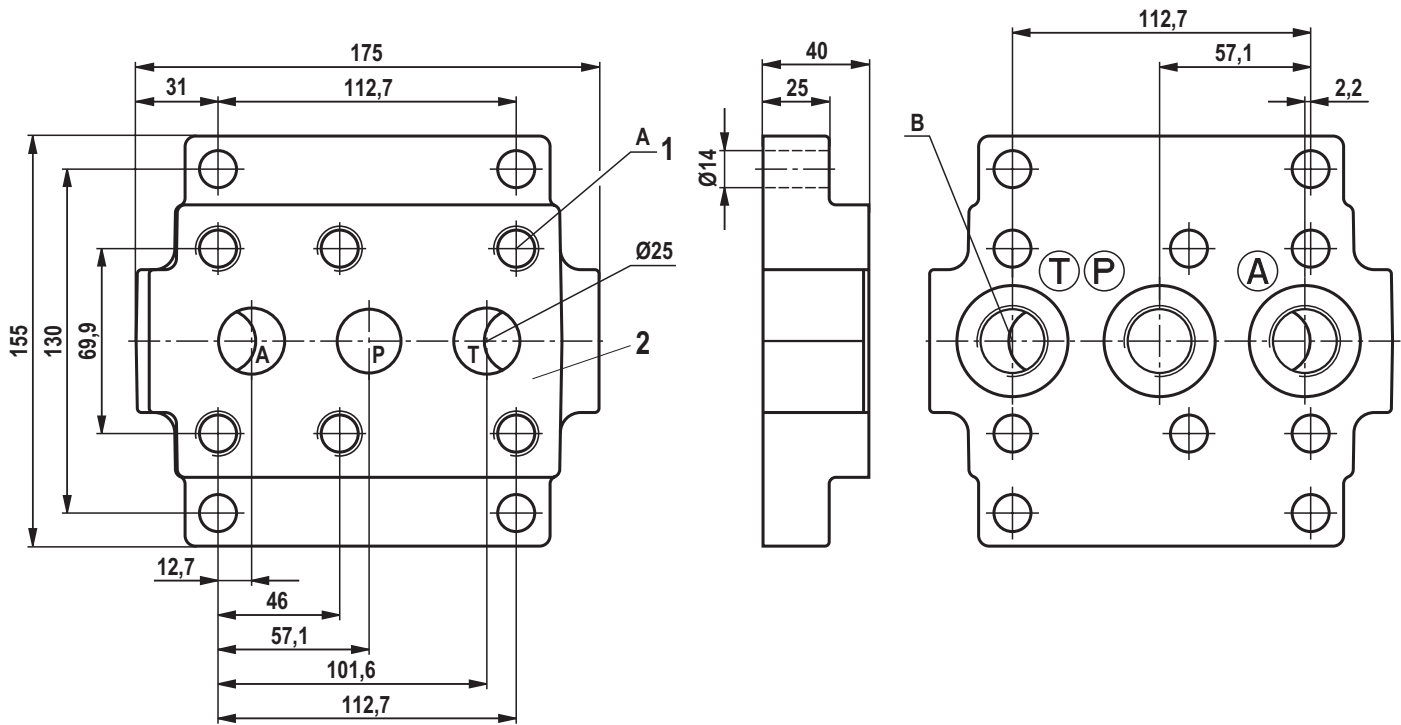
- 1 Valve mounting thread
- 2 Valve contact surface
- 3 Bore for locating pin

Denomination	Material number	A	B	
			Thread	Recess Ø
G25A4-1X/G1 1/4G1/4-SO003	R900424396	M12; 25 deep	G1 1/4	58
G25A4-1X/G1 1/4G1/4-J3-SO003	R901439675	M12; 25 deep	G1 1/4	58
G25A4-1X/G1 1/2G1/4-SO003	R900424399	M12; 25 deep	G1 1/2	65
G25A4-1X/G1 1/2G1/4-J3-SO003	R901439677	M12; 25 deep	G1 1/2	65
G25A4-1X/UN1 5/8-12UNF20-SO003	R900455873	1/2-13UNC; 25 deep	1 5/8-12UN	58
G25A4-1X/UN1 7/8-12UNF20-SO003	R900490017	1/2-13UNC; 25 deep	1 7/8-12UN	65

Denomination	Thread	C	Recess Ø	Weight
				in kg
G25A4-1X/G1 1/4G1/4-SO003	G1/4		25	16.3
G25A4-1X/G1 1/4G1/4-J3-SO003	G1/4		25	16.3
G25A4-1X/G1 1/2G1/4-SO003	G1/4		25	16.3
G25A4-1X/G1 1/2G1/4-J3-SO003	G1/4		25	16.3
G25A4-1X/UN1 5/8-12UNF20-SO003	7/16-20UNF		21	16.3
G25A4-1X/UN1 7/8-12UNF20-SO003	7/16-20UNF		21	16.3

Dimensions

(dimensions in mm)

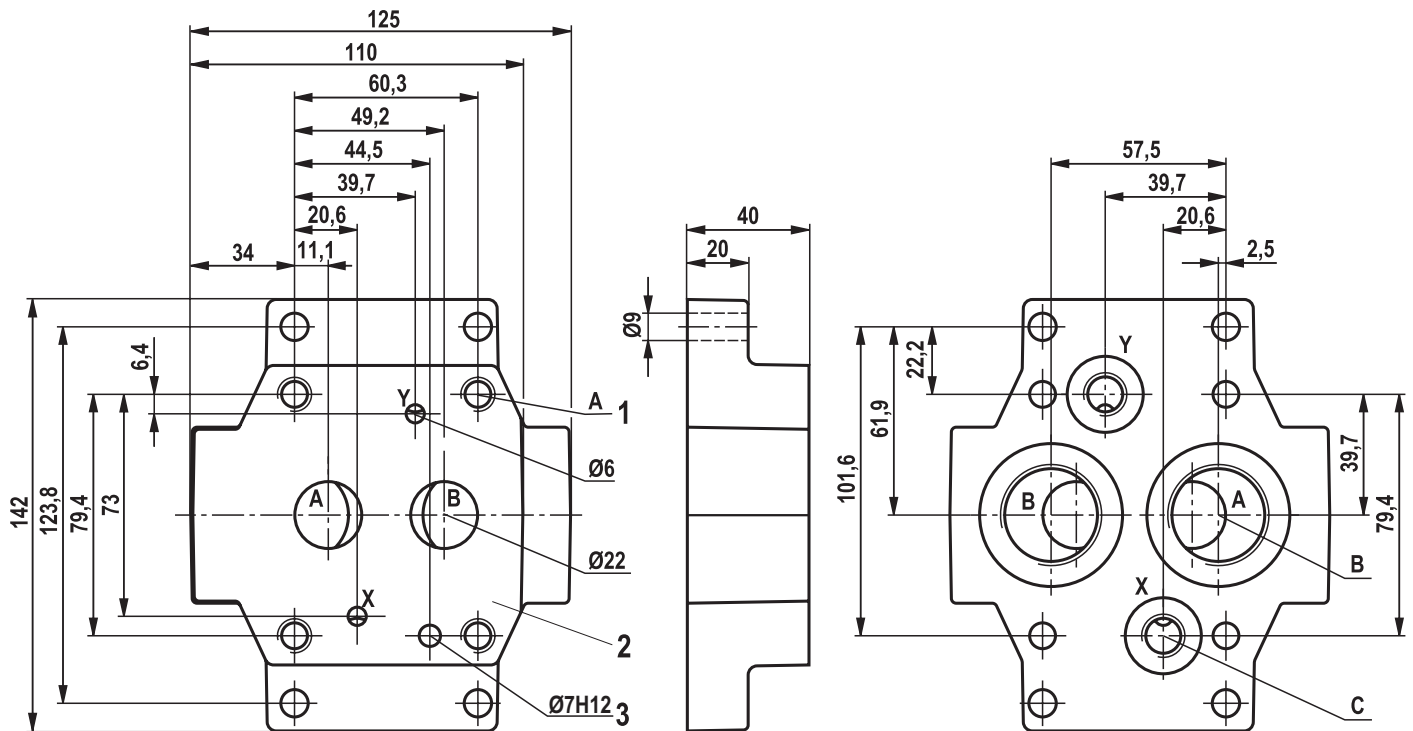


- 1 Valve mounting thread
- 2 Valve contact surface

Denomination	Material number	A	B		Weight in kg	p_{max} in bar
			Thread	Recess \varnothing		
G25D3-1X/G3/4	R900451805	M16; 34 deep	G3/4	42	5.6	350
G25D3-1X/G1	R900448459	M16; 34 deep	G1	47	5.5	350
G25D3-1X/UN1 1/16-12	R900352206	5/8-11UNC	1 1/16-12UN	42	5.6	350

Dimensions

(dimensions in mm)



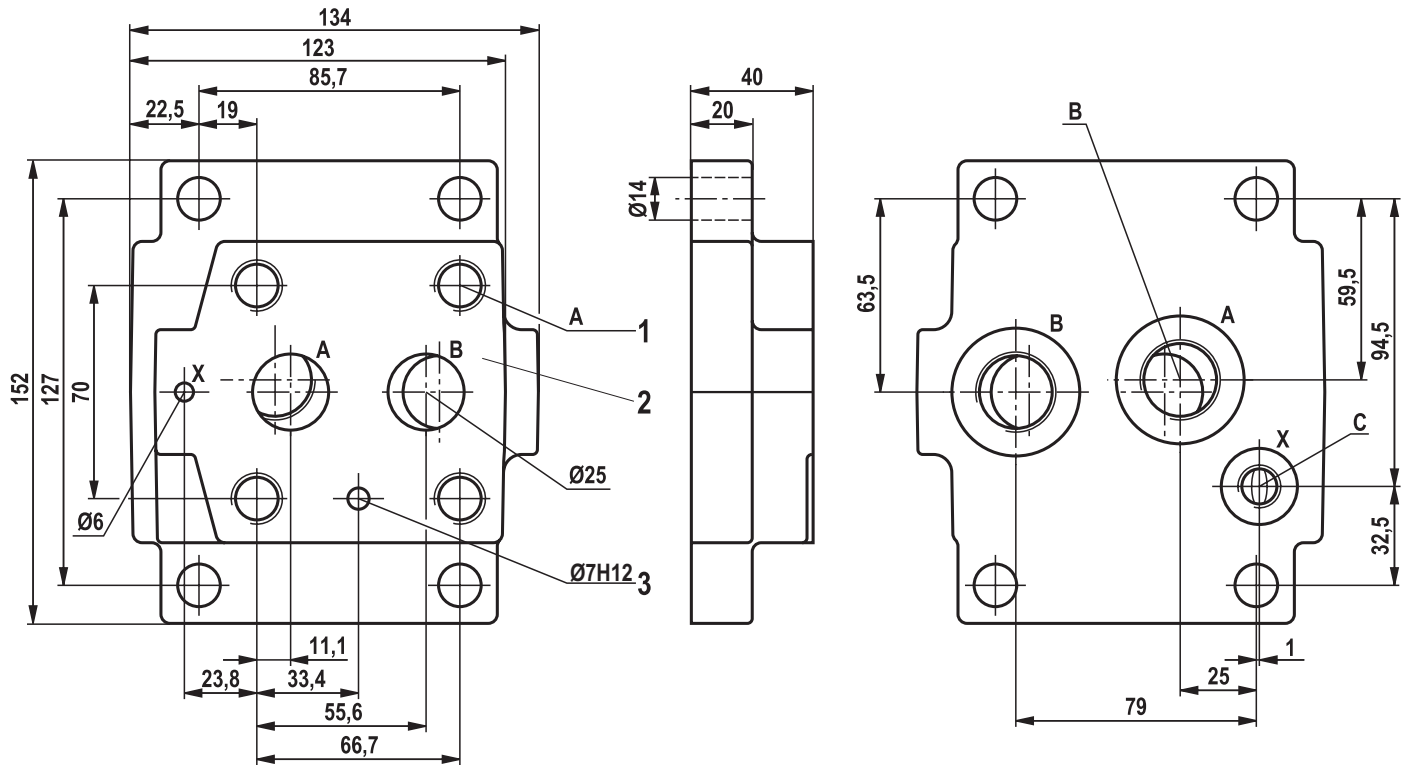
- 1 Valve mounting thread
- 2 Valve contact surface
- 3 Bore for locating pin

Denomination	Material number	A		B	
		Thread	Recess Ø	Thread	Recess Ø
G25D2-1X/G3/4G1/4	R900440266	M10; 24 deep	42	G3/4	42
G25D2-1X/G1G1/4	R900440431	M10; 24 deep	47	G1	47
G25D2-1X/UN1 1/16-12UNF20	R900455130	3/8UNC; 24 deep	42	1 1/16-12UN	42
G25D2-1X/UN1 5/16-12UNF20	R900487396	3/8UNC; 24 deep	49	1 5/16-12UN	49

Denomination	C		Weight in kg	p _{max} in bar
	Thread	Recess Ø		
G25D2-1X/G3/4G1/4	G1/4	25	3.3	350
G25D2-1X/G1G1/4	G1/4	25	3.0	350
G25D2-1X/UN1 1/16-12UNF20	7/16-20UNF	21	3.0	350
G25D2-1X/UN1 5/16-12UNF20	7/16-20UNF	21	3.0	350

Dimensions

(dimensions in mm)



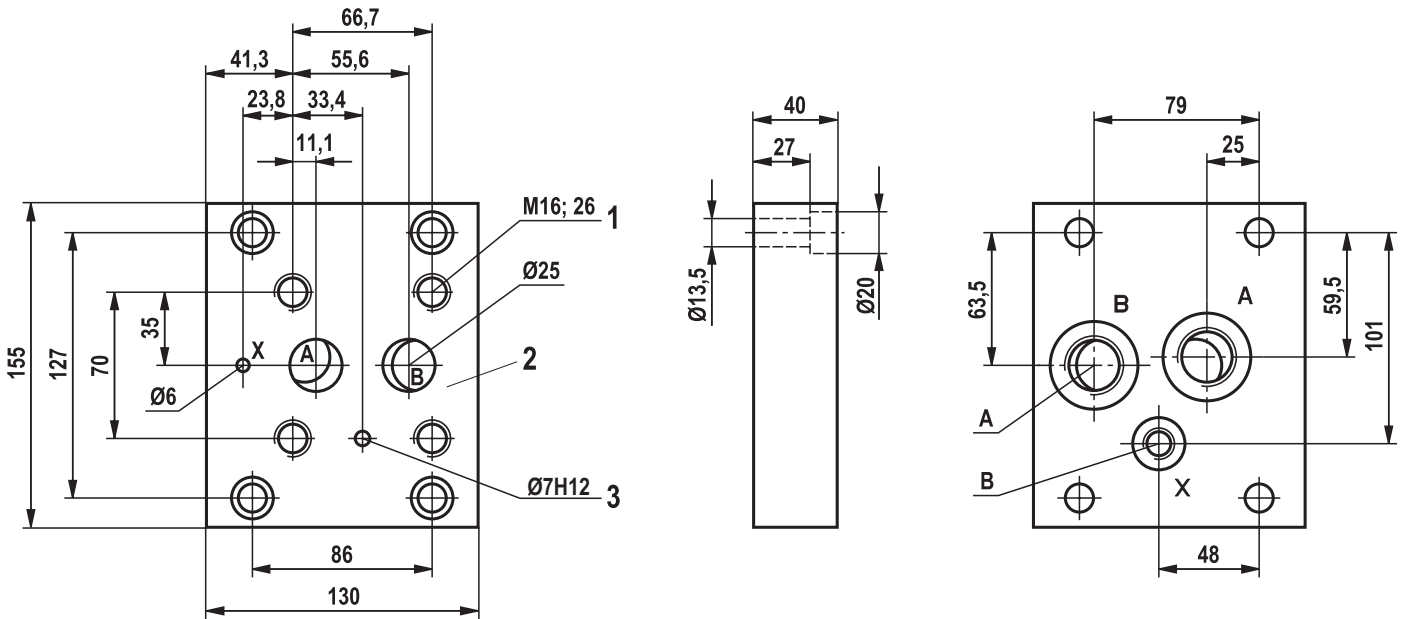
- 1 Valve mounting thread
- 2 Valve contact surface
- 3 Bore for locating pin

Denomination	Material number	A	B	
			Thread	Recess Ø
G25E2-1X/G3/4G1/4	R900439820	M16; 26 deep	G3/4	42
G25E2-1X/G1G1/4	R900435663	M16; 26 deep	G1	47
G25E2-1X/G1G1/4-J3	R901018328	M16; 26 deep	G1	47
G25E2-1X/UN1 1/16-12UNF20	R900455129	5/8-11UNC; 26 deep	1 1/16-12UN	41
G25E2-1X/UN1 5/16-12UNF20	R900485504	5/8-11UNC; 26 deep	1 5/16-12UN	49

Denomination	Thread	C Recess Ø	Weight in kg	P _{max} in bar
G25E2-1X/G1G1/4	G1/4	25	4.0	350
G25E2-1X/G1G1/4-J3	G1/4	25	4.0	350
G25E2-1X/UN1 1/16-12UNF20	7/16-20UNF-2B	21	4.0	350
G25E2-1X/UN1 5/16-12UNF20	7/16-20UNF-2B	21	4.0	350

Dimensions

(dimensions in mm)

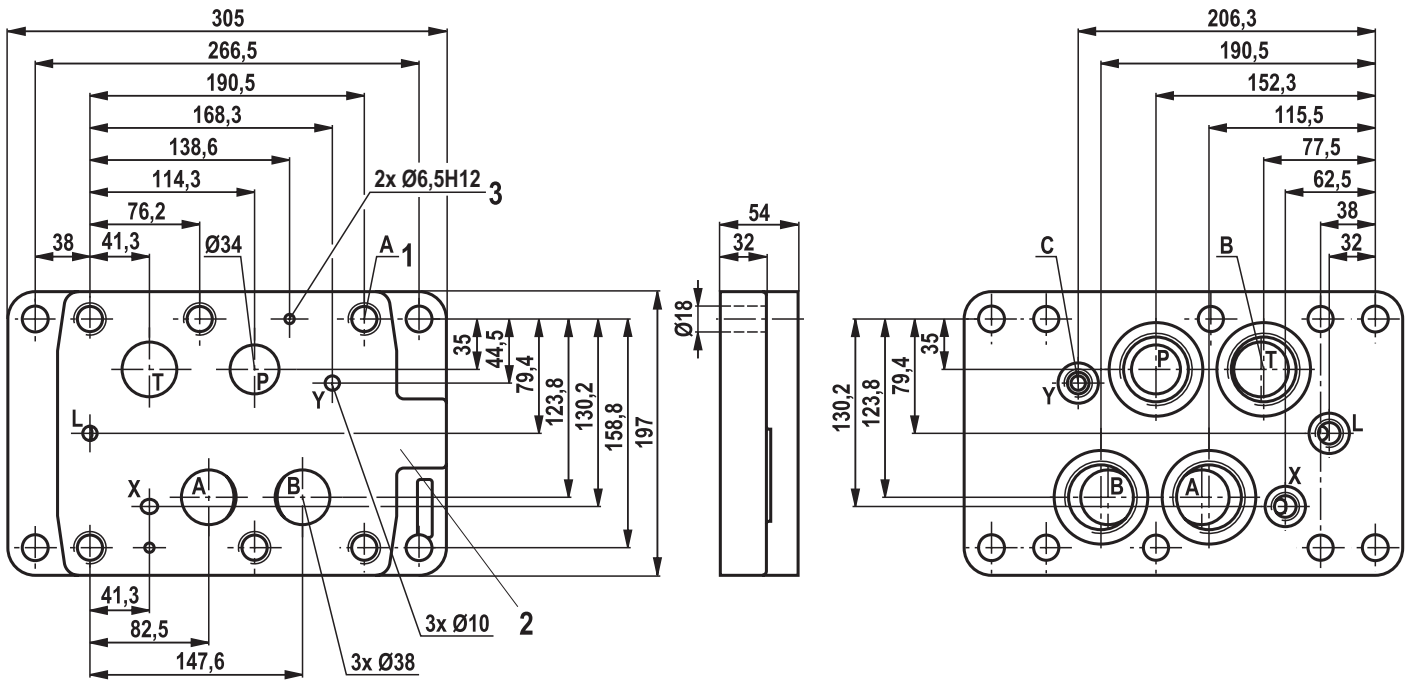


- 1 Valve mounting thread
- 2 Valve contact surface
- 3 Bore for locating pin

Denomination	Material number	A		B		Weight in kg	p_{max} in bar
		Thread	Recess Ø	Thread	Recess Ø		
G25E2-1X/G3/4G1/4-SO699	R901408886	G3/4	42	G1/4	25	5.0	500

Dimensions

(dimensions in mm)

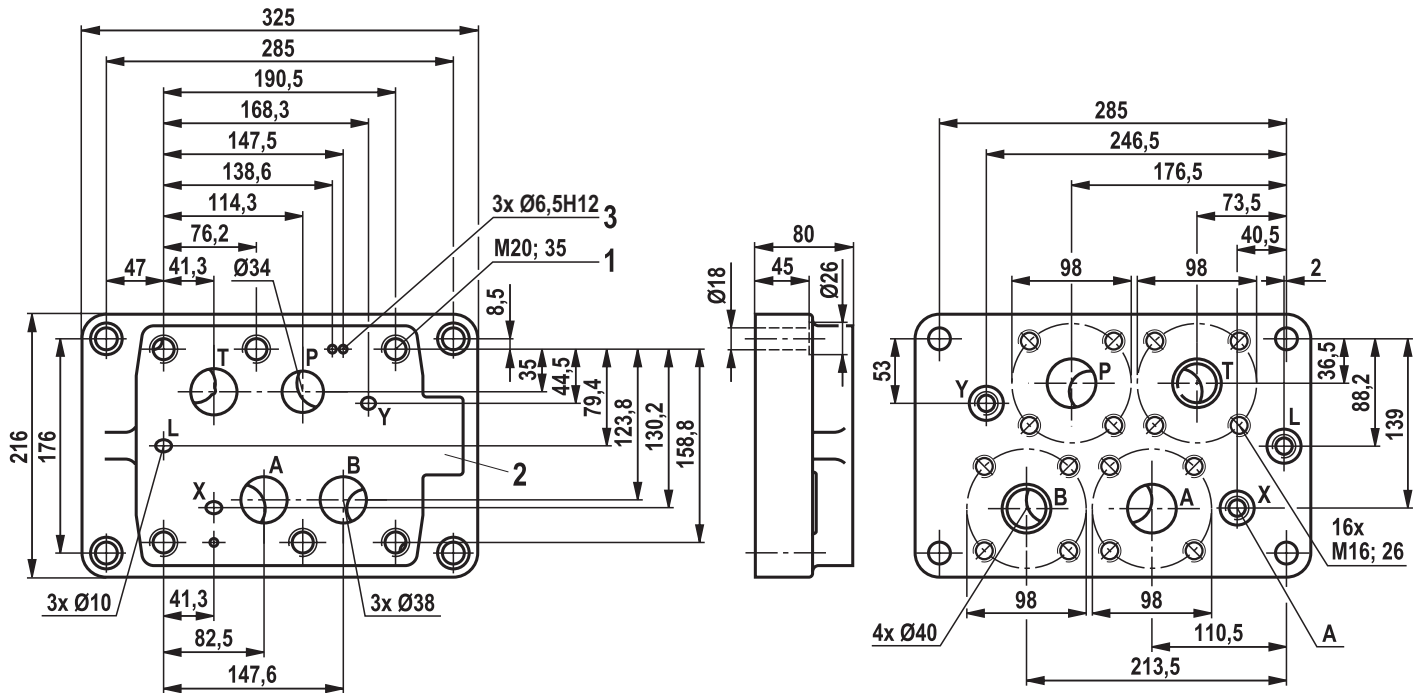


- 1 Valve mounting thread
- 2 Valve contact surface
- 3 Bore for locating pin

Denomination	Material number	A		B		C		Weight in kg	p_{max} in bar
		Thread	Recess \emptyset	Thread	Recess \emptyset	Thread	Recess \emptyset		
G32A4-1X/G1 1/2G3/8	R900424402	M20; 35 deep	G1 1/2	65	G3/8	28	18.0	350	
G32A4-1X/G1 1/2G3/8-J3	R901439678	M20; 35 deep	G1 1/2	65	G3/8	28	18.0	350	
G32A4-1X/M48M18	R900424403	M20; 35 deep	M48 x 2	65	M18 x 1.5	28	18.0	350	
G32A4-1X/M48M18-J3	R901439679	M20; 35 deep	M48 x 2	65	M18 x 1.5	28	18.0	350	

Dimensions

(dimensions in mm)



- 1 Valve mounting thread
- 2 Valve contact surface
- 3 Bore for locating pin

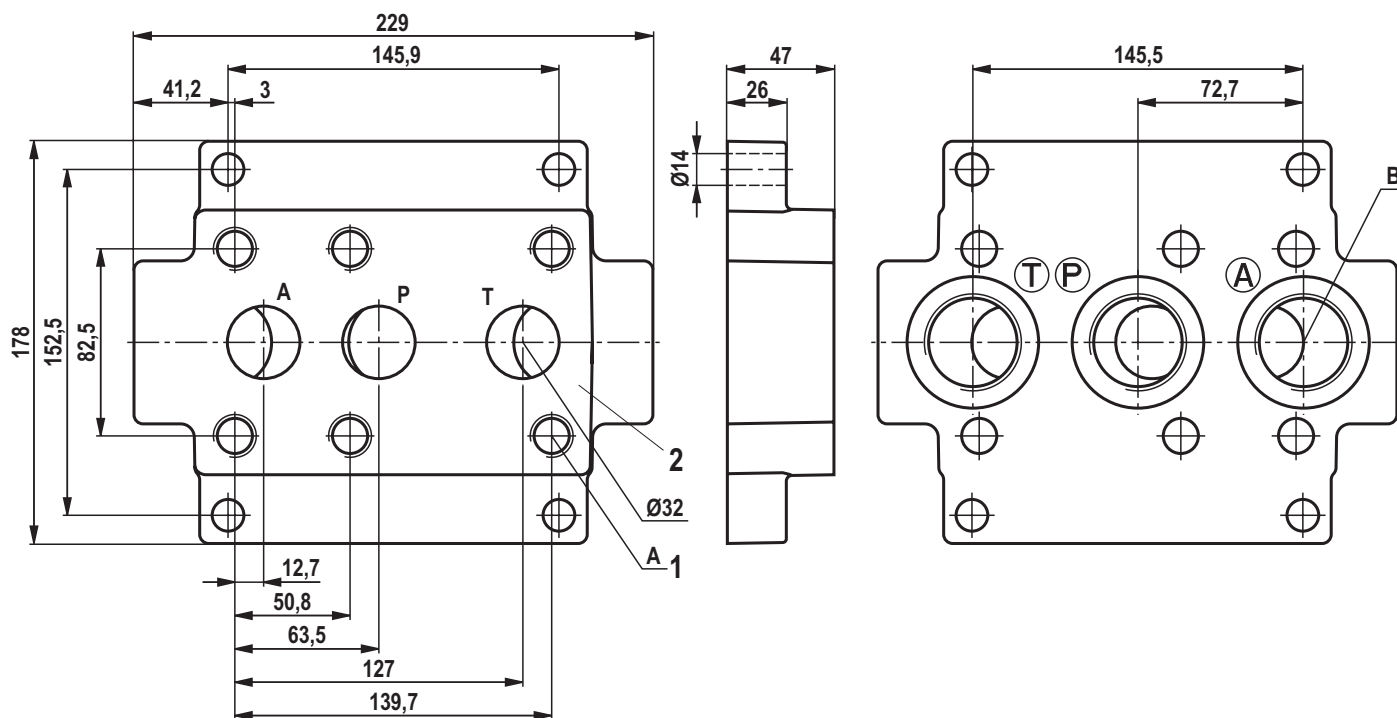
Denomination	Material number	Thread	A Recess Ø	Weight in kg	p_{max} in bar
G32A4-1X/FL51G3/8	R900424227	G3/8	28	3.3	350
G32A4-1X/FL51G3/8-J3	R901439680	G3/8	28	3.3	350

Connection flange

Material number	p_{max} in bar	Seal material
R900303901	160	NBR
R900303941		FKM
R900303921	320	NBR
R900303961		FKM
R901115142	400	NBR

Dimensions

(dimensions in mm)

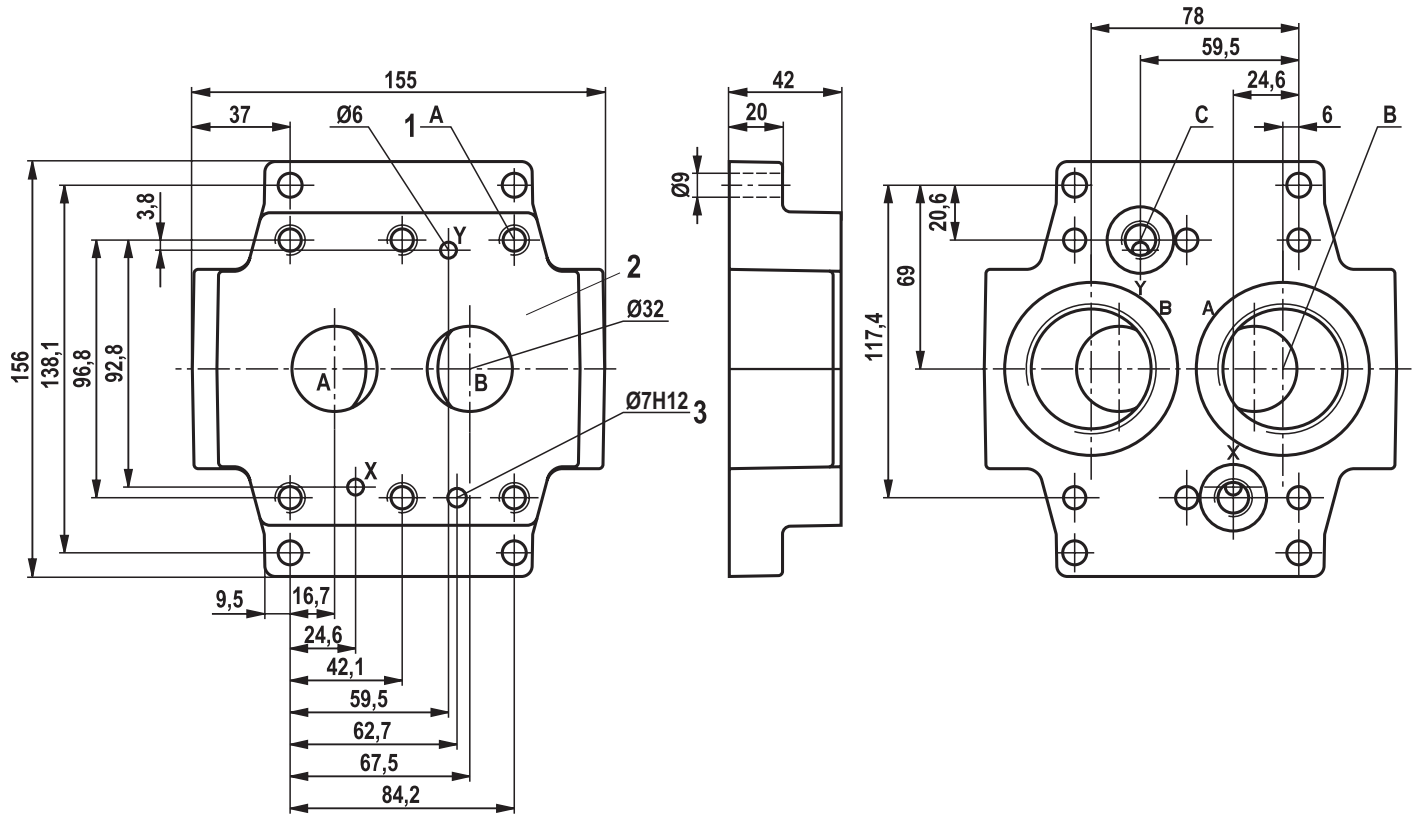


- 1 Valve mounting thread
- 2 Valve contact surface

Denomination	Material number	A		B		Weight in kg	p_{\max} in bar
		Thread	Recess \varnothing	Thread	Recess \varnothing		
G32D3-1X/G1 1/4	R900445297	M18; 37 deep	G1 1/4	56	9.0	350	
G32D3-1X/G1 1/2	R900453893	M18; 37 deep	G1 1/2	61	8.7	350	
G32D3-1X/UN1 7/8-12	R900379098	3/4UNC; 37 deep	1 7/8-12UN	70	8.7	350	

Dimensions

(dimensions in mm)



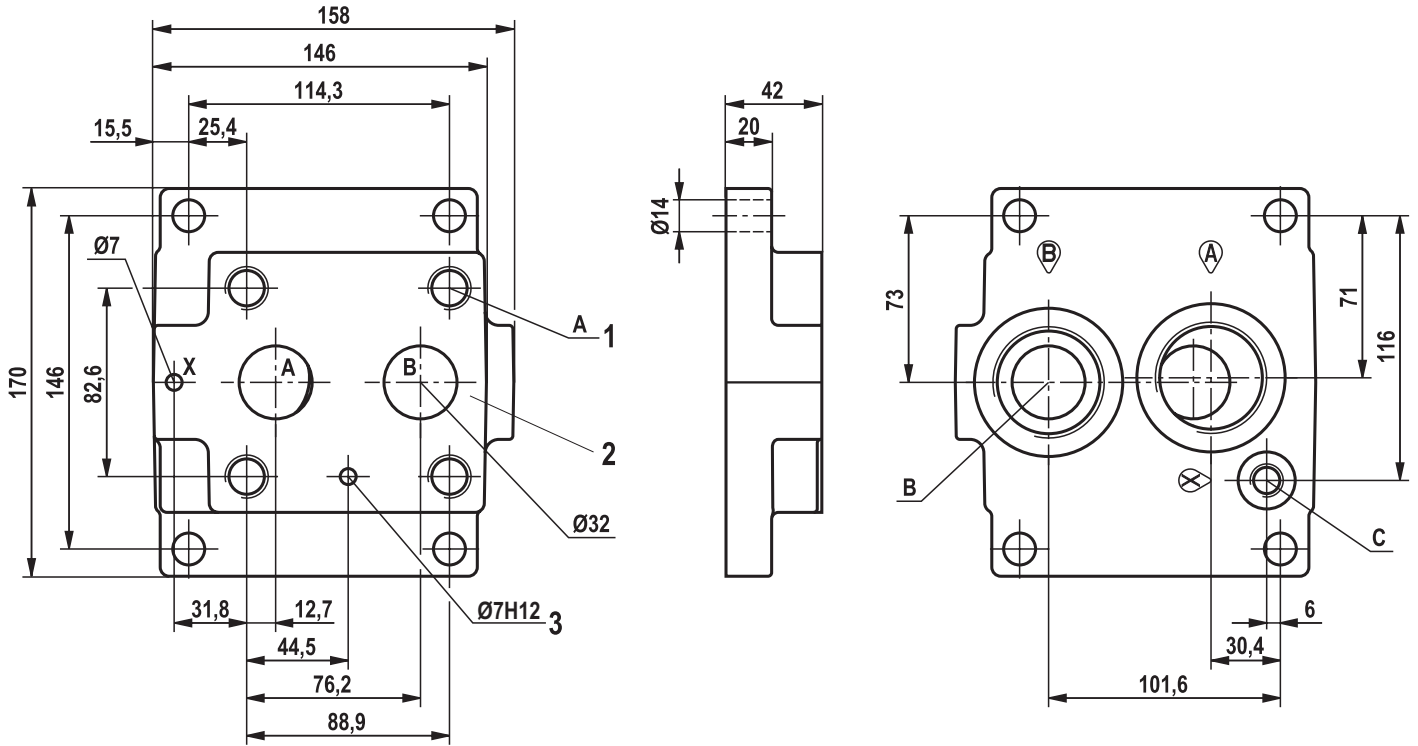
- 1 Valve mounting thread
- 2 Valve contact surface
- 3 Bore for locating pin

Denomination	Material number	A		B	
		Thread	Recess Ø	Thread	Recess Ø
G32D2-1X/G1 1/4G1/4	R900443673	M10; 22 deep	58	G1 1/4	58
G32D2-1X/G1 1/2G1/4	R900441983	M10; 22 deep	65	G1 1/2	65
G32D2-1X/UN1 7/8-12UNF20	R900339598	3/8UNC; 22 deep	70	1 7/8-12UN	70

Denomination	Thread	C		Weight in kg	p_{max} in bar
		Recess Ø	Recess Ø		
G32D2-1X/G1 1/4G1/4	G1/4	25	25	5.0	350
G32D2-1X/G1 1/2G1/4	G1/4	25	25	5.0	350
G32D2-1X/UN1 7/8-12UNF20	7/16-20UNF	21	21	5.0	350

Dimensions

(dimensions in mm)



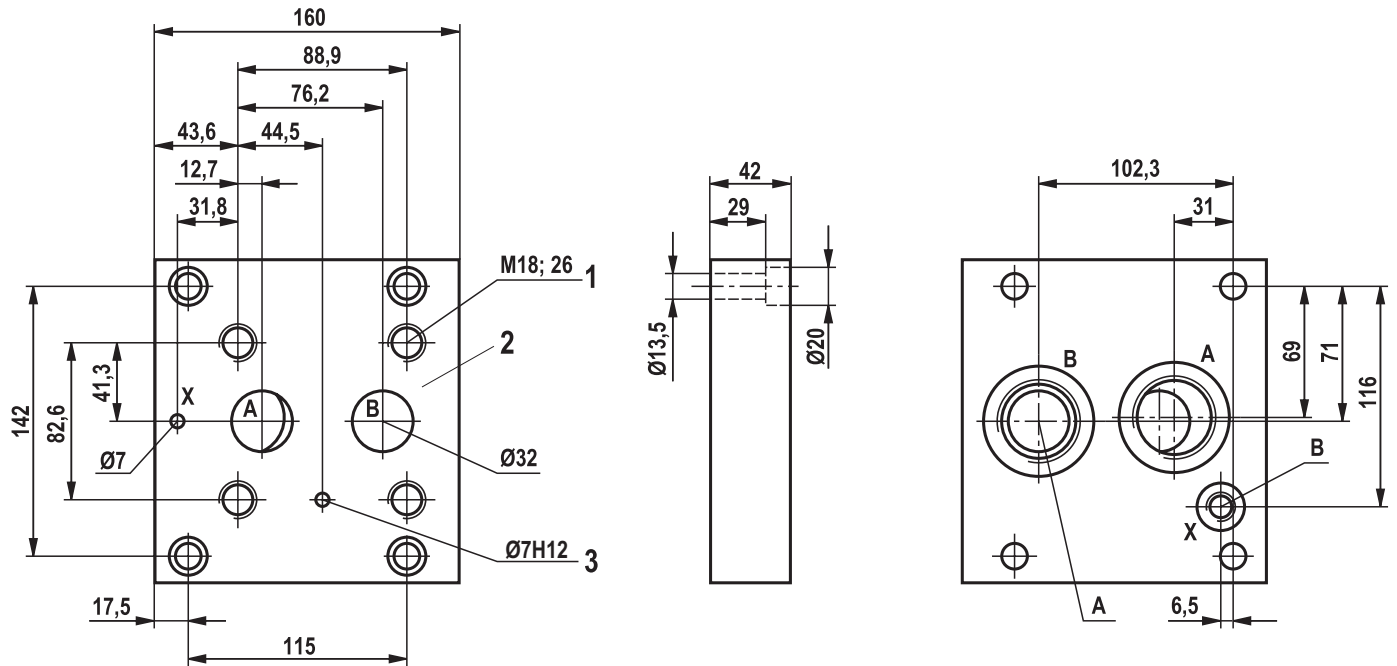
- 1 Valve mounting thread
- 2 Valve contact surface
- 3 Bore for locating pin

Denomination	Material number	A	B	
			Thread	Recess \varnothing
G32E2-1X/G1 1/4G1/4	R900440340	M18; 22 deep	G1 1/4	58
G32E2-1X/G1 1/2G1/4	R900439106	M18; 22 deep	G1 1/2	65
G32E2-1X/G1 1/2G1/4-J3	R900580254	M18; 22 deep	G1 1/2	65
G32E2-1X/UN1 7/8-12UNF20	R900340082	3/4UNC; 22 deep	1 7/8-12UN	70
G32E2-1X/UN1 5/8-12UNF20	R900339043	3/4UNC; 22 deep	1 5/8-12UN	58

Denomination	Thread	C Recess \varnothing	Weight in kg	p_{max} in bar
G32E2-1X/G1 1/2G1/4	G1/4	25	5.6	350
G32E2-1X/UN1 7/8-12UNF20	17/16-20UNF	21	5.6	350
G32E2-1X/UN1 5/8-12UNF20	17/16-20UNF	21	5.6	350

Dimensions

(dimensions in mm)



- 1 Valve mounting thread
- 2 Valve contact surface
- 3 Bore for locating pin

Denomination	Material number	A		B		Weight in kg	p_{max} in bar
		Thread	Recess Ø	Thread	Recess Ø		
G32E2-1X/G1 1/4G1/4-SO699	R901408888	G1 1/4	58	G1/4	25	6.9	500

Assignment of the valves according to size and porting pattern

Valve type	Data sheet	ISO / DIN / Rexroth specific hole pattern	Denomination in the type code
2FRE 6 -2X/..	29188	ISO 4401-03-02-0-05 and NFPA T3.5.1 R2-2002 D03	06A (06U)
2FRE 10 -4X/...	29190	ISO 6263-06-05-0-97	10G
2FRE 16 -4X/...	29190	ISO 6263-09-05-0-97 and DIN 24340 form G	16G
2FRH 10 -3X/...	28389	ISO 6263-06-05-0-97	10G
2FRH 16 -3X/...	28389	ISO 6263-09-05-0-97 and DIN 24340 form G	16G
2FRM 6 ... -3X/...	28163	ISO 4401-03-02-0-05 and NFPA T3.5.1 R2-2002 D03	06A (06U)
2FRM 10 -3X/...	28389	ISO 6263-06-05-0-97	10G
2FRM 16 -3X/...	28389	ISO 6263-09-05-0-97 and DIN 24340 form G	16G
2FRW 10 -3X/...	28389	ISO 6263-06-05-0-97	10G
2FRW 16 -3X/...	28389	ISO 6263-09-05-0-97 and DIN 24340 form G	16G
3DRE(M)(E) 16 P-7X/...	29286	ISO 4401-07-07-0-05 and NFPA T3.5.1 R2-D07	16A
3DREP(E) 6 ..2X/...	29184	ISO 4401-03-02-0-05 and NFPA T3.5.1 R2-2002 D03	06A (06U)
3FRM 10 -2X/...	28862	similar to ISO 6263-06-05-0-97 Observe position of actuator ports!	10G
3FRM 16 -2X/...	28862	similar to ISO 6263-06-05-0-97 Observe position of actuator ports!	16G
3WE 6 .6X/...	23178	ISO 4401-03-02-0-05 and NFPA T3.5.1 R2-2002 D03	06A (06U)
3WE 6 .73.6X/...A12	23183	ISO 4401-03-02-0-05 and NFPA T3.5.1 R2-2002 D03	06A (06U)
3WE 10 ..5X/...	23340	ISO 4401-05-04-0-05 and NFPA T3.5.1 R2-D05	10A
3WE 10 ..3X/...	23327	ISO 4401-05-04-0-05 and NFPA T3.5.1 R2-D05	10A
3WE 10 ..4X/...	23327	ISO 4401-05-04-0-05 and NFPA T3.5.1 R2-D05	10A
3WEH 10 ..4X/...	24751	ISO 4401-05-04-0-05 and NFPA T3.5.1 R2-D05	10A
3WEH 16 ..6X/...	24751	ISO 4401-07-07-0-05 and NFPA T3.5.1 R2-D07	16A
3WEH 22 ..7X/...	24751	ISO 4401-08-08-0-05 and NFPA T3.5.1 R2	25A
3WEH 32 ..6X/...	24751	ISO 4401-10-09-0-05 and NFPA T3.5.1 R2-D10	32A
3WH 10 ..4X/...	24751	ISO 4401-05-04-0-05 and NFPA T3.5.1 R2-D05	10A
3WH 16 ..6X/...	24751	ISO 4401-07-07-0-05 and NFPA T3.5.1 R2-D07	16A
3WH 22 ..7X/...	24751	ISO 4401-08-08-0-05 and NFPA T3.5.1 R2	25A
3WH 32 ..6X/...	24751	ISO 4401-10-09-0-05 and NFPA T3.5.1 R2-D10	32A
3WH. 6 ..5X/...	22282	ISO 4401-03-02-0-05 and NFPA T3.5.1 R2-2002 D03	06A (06U)
3WHH 10 ..4X/...	24851	ISO 4401-05-04-0-05 and NFPA T3.5.1 R2-D05	10A
3WHH 16 ..7X/...	24851	ISO 4401-07-07-0-05 and NFPA T3.5.1 R2-D07	16A
3WHH 22 ..7X/...	24851	ISO 4401-08-08-0-05 and NFPA T3.5.1 R2	25A
3WHH 25 ..6X/...	24851	ISO 4401-08-08-0-05 and NFPA T3.5.1 R2	25A
3WHH 32 ..6X/...	24851	ISO 4401-10-09-0-05 and NFPA T3.5.1 R2-D10	32A
3WM 6 .5X/...	22280	ISO 4401-03-02-0-05 and NFPA T3.5.1 R2-2002 D03	06A (06U)
3WM..H 10 ..4X/...	24851	ISO 4401-05-04-0-05 and NFPA T3.5.1 R2-D05	10A
3WM..H 16 ..7X/...	24851	ISO 4401-07-07-0-05 and NFPA T3.5.1 R2-D07	16A
3WM..H 22 ..7X/...	24851	ISO 4401-08-08-0-05 and NFPA T3.5.1 R2	25A
3WM..H 25 ..6X/...	24851	ISO 4401-08-08-0-05 and NFPA T3.5.1 R2	25A
3WM..H 32 ..6X/...	24851	ISO 4401-10-09-0-05 and NFPA T3.5.1 R2-D10	32A
3WMM 10 ..5X/...	22334	ISO 4401-05-04-0-05 and NFPA T3.5.1 R2-D05	10A
3WMR. 6 -5X/...	22284	ISO 4401-03-02-0-05 and NFPA T3.5.1 R2-2002 D03	06A (06U)
3WN 10 ..5X/...	22334	ISO 4401-05-04-0-05 and NFPA T3.5.1 R2-D05	10A
3WP 10 ..5X/...	22334	ISO 4401-05-04-0-05 and NFPA T3.5.1 R2-D05	10A
3WP 6 ..6X/...	22282	ISO 4401-03-02-0-05 and NFPA T3.5.1 R2-2002 D03	06A (06U)
3WPH 10 ..4X/...	24851	ISO 4401-05-04-0-05 and NFPA T3.5.1 R2-D05	10A
3WPH 16 ..7X/...	24851	ISO 4401-07-07-0-05 and NFPA T3.5.1 R2-D07	16A
3WPH 22 ..7X/...	24851	ISO 4401-08-08-0-05 and NFPA T3.5.1 R2	25A
3WPH 25 ..6X/...	24851	ISO 4401-08-08-0-05 and NFPA T3.5.1 R2	25A
3WPH 32 ..6X/...	24851	ISO 4401-10-09-0-05 and NFPA T3.5.1 R2-D10	32A
4WE 10 ..3X/...	23327	ISO 4401-05-04-0-05 and NFPA T3.5.1 R2-D05	10A

Assignment of the valves according to size and porting pattern

Valve type	Data sheet	ISO / DIN / Rexroth specific hole pattern	Denomination in the type code
4WE 10 ..4X/...	23327	ISO 4401-05-04-0-05 and NFPA T3.5.1 R2-D05	10A
4WE 10 ..5X/...	23340	ISO 4401-05-04-0-05 and NFPA T3.5.1 R2-D05	10A
4WE 6 ..6X/...	23178	ISO 4401-03-02-0-05 and NFPA T3.5.1 R2-2002 D03	06A (06U)
4WE 6 ..73.6X/...A12	23183	ISO 4401-03-02-0-05 and NFPA T3.5.1 R2-2002 D03	06A (06U)
4WEH 10 ..4X/...	24751	ISO 4401-05-04-0-05 and NFPA T3.5.1 R2-D05	10A
4WEH 16 ..6X/...	24751	ISO 4401-07-07-0-05 and NFPA T3.5.1 R2-D07	16A
4WEH 22 ..7X/...	24751	ISO 4401-08-08-0-05 and NFPA T3.5.1 R2	25A
4WEH 32 ..6X/...	24751	ISO 4401-10-09-0-05 and NFPA T3.5.1 R2-D10	32A
4WH 10 ..4X/...	24751	ISO 4401-05-04-0-05 and NFPA T3.5.1 R2-D05	10A
4WH 16 ..6X/...	24751	ISO 4401-07-07-0-05 and NFPA T3.5.1 R2-D07	16A
4WH 22 ..7X/...	24751	ISO 4401-08-08-0-05 and NFPA T3.5.1 R2	25A
4WH 32 ..6X/...	24751	ISO 4401-10-09-0-05 and NFPA T3.5.1 R2-D10	32A
4WH 6 ..5X/...	22282	ISO 4401-03-02-0-05 and NFPA T3.5.1 R2-2002 D03	06A (06U)
4WHH 10 ..4X/...	24851	ISO 4401-05-04-0-05 and NFPA T3.5.1 R2-D05	10A
4WHH 16 ..7X/...	24851	ISO 4401-07-07-0-05 and NFPA T3.5.1 R2-D07	16A
4WHH 22 ..7X/...	24851	ISO 4401-08-08-0-05 and NFPA T3.5.1 R2	25A
4WHH 25 ..6X/...	24851	ISO 4401-08-08-0-05 and NFPA T3.5.1 R2	25A
4WHH 32 ..6X/...	24851	ISO 4401-10-09-0-05 and NFPA T3.5.1 R2-D10	32A
4WM 6 ..5X/...	22280	ISO 4401-03-02-0-05 and NFPA T3.5.1 R2-2002 D03	06A (06U)
4WM..H 10 ..4X/...	24851	ISO 4401-05-04-0-05 and NFPA T3.5.1 R2-D05	10A
4WM..H 16 ..7X/...	24851	ISO 4401-07-07-0-05 and NFPA T3.5.1 R2-D07	16A
4WM..H 22 ..7X/...	24851	ISO 4401-08-08-0-05 and NFPA T3.5.1 R2	25A
4WM..H 25 ..6X/...	24851	ISO 4401-08-08-0-05 and NFPA T3.5.1 R2	25A
4WM..H 32 ..6X/...	24851	ISO 4401-10-09-0-05 and NFPA T3.5.1 R2-D10	32A
4WMM 10 ..5X/...	22334	ISO 4401-05-04-0-05 and NFPA T3.5.1 R2-D05	10A
4WMR. 6 ..5X/...	22284	ISO 4401-03-02-0-05 and NFPA T3.5.1 R2-2002 D03	06A (06U)
4WN 10 ..5X/...	22334	ISO 4401-05-04-0-05 and NFPA T3.5.1 R2-D05	10A
4WP 10 ..5X/...	22334	ISO 4401-05-04-0-05 and NFPA T3.5.1 R2-D05	10A
4WP 6 ..6X/...	22282	ISO 4401-03-02-0-05 and NFPA T3.5.1 R2-2002 D03	06A (06U)
4WPH 10 ..4X/...	24851	ISO 4401-05-04-0-05 and NFPA T3.5.1 R2-D05	10A
4WPH 16 ..7X/...	24851	ISO 4401-07-07-0-05 and NFPA T3.5.1 R2-D07	16A
4WPH 22 ..7X/...	24851	ISO 4401-08-08-0-05 and NFPA T3.5.1 R2	25A
4WPH 25 ..6X/...	24851	ISO 4401-08-08-0-05 and NFPA T3.5.1 R2	25A
4WPH 32 ..6X/...	24851	ISO 4401-10-09-0-05 and NFPA T3.5.1 R2-D10	32A
4WRA 6 ..2X/...	29055	ISO 4401-03-02-0-05 and NFPA T3.5.1 R2-2002 D03	06A (06U)
4WRA. 10 ..2X/...	29055	ISO 4401-05-04-0-05 and NFPA T3.5.1 R2-D05	10A
4WRDE 10 ...-5X/...	29093	ISO 4401-05-04-0-05 and NFPA T3.5.1 R2-D05	10A
4WRDE 16 ...-5X/...	29093	ISO 4401-07-07-0-05 and NFPA T3.5.1 R2-D07	16A
4WRDE 25 ...-5X/...	29093	ISO 4401-08-08-0-05 and NFPA T3.5.1 R2	25A
4WRDE 32 ...-5X/...	29093	ISO 4401-10-09-0-05 and NFPA T3.5.1 R2-D10	32A
4WRDU 16 ...-5X/...	29093	ISO 4401-07-07-0-05 and NFPA T3.5.1 R2-D07	16A
4WRDU 25 ...-5X/...	29093	ISO 4401-08-08-0-05 and NFPA T3.5.1 R2	25A
4WRDU 32 ...-5X/...	29093	ISO 4401-10-09-0-05 and NFPA T3.5.1 R2-D10	32A
4WRE 10 ..2X/...	29061	ISO 4401-05-04-0-05 and NFPA T3.5.1 R2-D05	10A
4WRE 6 ..2X/...	29061	ISO 4401-03-02-0-05 and NFPA T3.5.1 R2-2002 D03	06A (06U)
4WRGE 10 ...-1X/...	29070	ISO 4401-05-04-0-05 and NFPA T3.5.1 R2-D05	10A
4WRGE 16 ...-1X/...	29070	ISO 4401-07-07-0-05 and NFPA T3.5.1 R2-D07	16A
4WRGE 25 ...-1X...	29070	ISO 4401-08-08-0-05 and NFPA T3.5.1 R2	25A
4WRH 16 ..7X/...	29115	ISO 4401-07-07-0-05 and NFPA T3.5.1 R2-D07	16A
4WRH 25 ..7X/...	29115	ISO 4401-08-08-0-05 and NFPA T3.5.1 R2	25A
4WRH 32 ..7X/...	29115	ISO 4401-10-09-0-05 and NFPA T3.5.1 R2-D10	32A

Assignment of the valves according to size and porting pattern

Valve type	Data sheet	ISO / DIN / Rexroth specific hole pattern	Denomination in the type code
4WRKE 10 ..-3X/...	29075	ISO 4401-05-04-0-05 and NFPA T3.5.1 R2-D05	10A
4WRKE 16 ..-3X/...	29075	ISO 4401-07-07-0-05 and NFPA T3.5.1 R2-D07	16A
4WRKE 25 ..-3X/...	29075	ISO 4401-08-08-0-05 and NFPA T3.5.1 R2	25A
4WRKE 32 ..-3X/...	29075	ISO 4401-10-09-0-05 and NFPA T3.5.1 R2-D10	32A
4WRLD 10 -3X/...	29288	ISO 4401-05-04-0-05 and NFPA T3.5.1 R2-D05	10A
4WRLD 16 -3X/...	29288	ISO 4401-07-07-0-05 and NFPA T3.5.1 R2-D07	16A
4WRLD 25 -3X/...	29288	ISO 4401-08-08-0-05 and NFPA T3.5.1 R2	25A
4WRLE 25 ...E/W-3X/...	29089	ISO 4401-08-08-0-05 and NFPA T3.5.1 R2	25A
4WRLE 25 ...V-3X/...	29088	ISO 4401-08-08-0-05 and NFPA T3.5.1 R2	25A
4WRLE 32 ...E/W-3X/...	29089	ISO 4401-10-09-0-05 and NFPA T3.5.1 R2-D10	32A
4WRLE 32 ...V-3X/...	29088	ISO 4401-10-09-0-05 and NFPA T3.5.1 R2-D10	32A
4WRLE 10 ...E/W-3X/...	29089	ISO 4401-05-04-0-05 and NFPA T3.5.1 R2-D05	10A
4WRLE 10 ...V-3X/...	29088	ISO 4401-05-04-0-05 and NFPA T3.5.1 R2-D05	10A
4WRLE 16 ... E/W-3X/...	29089	ISO 4401-07-07-0-05 and NFPA T3.5.1 R2-D07	16A
4WRLE 16 ...V-3X/...	29088	ISO 4401-07-07-0-05 and NFPA T3.5.1 R2-D07	16A
4WRPDH 10 ...-2X/...	29391	ISO 4401-05-04-0-05 and NFPA T3.5.1 R2-D05	10A
4WRPDH 6 ...-2X/...	29391	ISO 4401-03-02-0-05 and NFPA T3.5.1 R2-2002 D03	06A (06U)
4WRPE 10 ...-2X/...	29025	ISO 4401-05-04-0-05 and NFPA T3.5.1 R2-D05	10A
4WRPE 10 ...EA-2X/...	29024	ISO 4401-05-04-0-05 and NFPA T3.5.1 R2-D05	10A
4WRPE 6 ...-2X/...	29025	ISO 4401-03-02-0-05 and NFPA T3.5.1 R2-2002 D03	06A (06U)
4WRPE 6 ...EA-2X/...	29024	ISO 4401-03-02-0-05 and NFPA T3.5.1 R2-2002 D03	06A (06U)
4WRPEH 10 ...-2X/...	29037	ISO 4401-05-04-0-05 and NFPA T3.5.1 R2-D05	10A
4WRPEH 6 ...-3X/...	29121	ISO 4401-03-02-0-05 and NFPA T3.5.1 R2-2002 D03	06A (06U)
4WRPNH 10 ...-2X/...	29191	ISO 4401-05-04-0-05 and NFPA T3.5.1 R2-D05	10A
4WRPNH 6 ...-2X/...	29191	ISO 4401-03-02-0-05 and NFPA T3.5.1 R2-2002 D03	06A (06U)
4WRREH 6 ...-1X/...	29041	ISO 4401-03-02-0-05 and NFPA T3.5.1 R2-2002 D03	06A (06U)
4WRSE 10 ..-3X/...	29067	ISO 4401-05-04-0-05 and NFPA T3.5.1 R2-D05	10A
4WRSE 6 ..-3X/...	29067	ISO 4401-03-02-0-05 and NFPA T3.5.1 R2-2002 D03	06A (06U)
4WRSEH 10 ...-3X/...	29069	ISO 4401-05-04-0-05 and NFPA T3.5.1 R2-D05	10A
4WRSEH 6 ...-3X/...	29069	ISO 4401-03-02-0-05 and NFPA T3.5.1 R2-2002 D03	06A (06U)
4WRTE 10 ..-4X/...	29083	ISO 4401-05-04-0-05 and NFPA T3.5.1 R2-D05	10A
4WRTE 16 ...-4X/...	29083	ISO 4401-07-07-0-05 and NFPA T3.5.1 R2-D07	16A
4WRTE 25 ...-4X/...	29083	ISO 4401-08-08-0-05 and NFPA T3.5.1 R2	25A
4WRTE 32 ...-4X/...	29083	ISO 4401-10-09-0-05 and NFPA T3.5.1 R2-D10	32A
4WRVE 10 ...-2X/...	29077	ISO 4401-05-04-0-05 and NFPA T3.5.1 R2-D05	10A
4WRVE 16 ...-2X/...	29077	ISO 4401-07-07-0-05 and NFPA T3.5.1 R2-D07	16A
4WRVE 25 ...-2X/...	29077	ISO 4401-08-08-0-05 and NFPA T3.5.1 R2	25A
4WRZ(E) 10 ..-7X/...	29115	ISO 4401-05-04-0-05 and NFPA T3.5.1 R2-D05	10A
4WRZ(E) 16 ..-7X/...	29115	ISO 4401-07-07-0-05 and NFPA T3.5.1 R2-D07	16A
4WRZ(E) 25 ...-7X/...	29115	ISO 4401-08-08-0-05 and NFPA T3.5.1 R2	25A
4WRZ(E) 32 ...-7X/...	29115	ISO 4401-10-09-0-05 and NFPA T3.5.1 R2-D10	32A
4WRZ(E)(M) 10 ..-7X/...	29117	ISO 4401-05-04-0-05 and NFPA T3.5.1 R2-D05	10A
4WRZ(E)(M) 16 ..-7X/...	29117	ISO 4401-07-07-0-05 and NFPA T3.5.1 R2-D07	16A
4WRZ(E)(M) 25 ...-7X/...	29117	ISO 4401-08-08-0-05 and NFPA T3.5.1 R2	25A
4WS(E)2E. 10 -5X/...	29583	ISO 4401-05-04-0-05 and NFPA T3.5.1 R2-D05	10A
4WS(E)2E. 16 -2X/...	29591	ISO 4401-07-07-0-05 and NFPA T3.5.1 R2-D07	16A
4WS(E)2EM 6 -2X/...	29564	ISO 4401-03-02-0-05 and NFPA T3.5.1 R2-2002 D03	06A (06U)
4WSE3E 25 -3X/...	29621	ISO 4401-08-08-0-05 and NFPA T3.5.1 R2	25A
4WSE3E 32 -5X/...	29622	ISO 4401-10-09-0-05 and NFPA T3.5.1 R2-D10	32A
4WSE3E. 16 -2X/...	29620	ISO 4401-07-07-0-05 and NFPA T3.5.1 R2-D07	16A
5-3WE 10 ..5X/...	23352	ISO 4401-05-04-0-05 and NFPA T3.5.1 R2-D05	10A

Assignment of the valves according to size and porting pattern

Valve type	Data sheet	ISO / DIN / Rexroth specific hole pattern	Denomination in the type code
5-4WE 10 ..5X/...	23352	ISO 4401-05-04-0-05 and NFPA T3.5.1 R2-D05	10A
DA 6 V.2.5X/..FS..	26405	ISO 4401-03-02-0-05 and NFPA T3.5.1 R2-2002 D03	06A (06U)
DA(W) 10 -.-5X/...	26411	Rexroth specific hole pattern	10D
DA(W) 20 -.-5X/...	26411	Rexroth specific hole pattern	25D
DA(W) 30 -.-5X/...	26411	Rexroth specific hole pattern	30D
DB(W) 10 ..-4X/...	25818	ISO 6264-06-09-*97	10E
DB(W) 10 ..-5X/...	25802	ISO 6264-06-09-*97	10E
DB(W) 20 ..-4X/...	25818	ISO 6264-08-13-*97	25E
DB(W) 20 ..-5X/...	25802	ISO 6264-08-13-*97	25E
DB(W) 30 ..-5X/...	25802	ISO 6264-AT-10-2-A	30E
DB3U 10 ..5X/...	25826	ISO 6264-06-09-*97	10E
DB3U 20 ..5X/...	25826	ISO 6264-08-13-*97	25E
DB3U 30 ..5X/...	25826	ISO 6264-AT-10-2-A	30E
DBD. 10 P1X/...	25402	Rexroth specific hole pattern	10E
DBD. 20 P1X/...	25402	Rexroth specific hole pattern	20E
DBD. 30 P1X/...	25402	Rexroth specific hole pattern	30E
DBD. 6 P1X/...	25402	Rexroth specific hole pattern	06E
DBE 6 ..-1X/...	29158	ISO 4401-03-02-0-05 and NFPA T3.5.1 R2-2002 D03	06A (06U)
DBE(E) 6 -2X/...	29258	ISO 4401-03-02-0-05 and NFPA T3.5.1 R2-2002 D03	06A (06U)
DBEBE 10 -1X/...	29163	ISO 5781-06-07-0-00	10D
DBEBE 6 -1X/...	29159	ISO 4401-03-02-0-05 and NFPA T3.5.1 R2-2002 D03	06A (06U)
DBEM(E). 30 -7X/...	29361	ISO 6264-AT-10-2-A	30E
DBEP 6 .06-1X/...	29164	ISO 4401-03-02-0-05 and NFPA T3.5.1 R2-2002 D03	06A (06U)
DBET(E).-6X/...	29162	ISO 4401-03-02-0-05 and NFPA T3.5.1 R2-2002 D03	06A (06U)
DBETA-6X/...	29262	ISO 4401-03-02-0-05 and NFPA T3.5.1 R2-2002 D03	06A (06U)
DBETB(E)X-1X/...	29151	ISO 4401-03-02-0-05 and NFPA T3.5.1 R2-2002 D03	06A (06U)
DBG 10 -1X/...	29139	ISO 6264-06-09-*97	10E
DBG 20 -1X/...	29139	ISO 6264-08-13-*97	25E
DBG 30 -1X/...	29139	ISO 6264-AT-10-2-A	30E
DR 10 DP.-4X/...	26580	ISO 5781-06-07-0-00	10D
DR 10 -.-4X/...	26893	ISO 5781-06-07-0-00	10D
DR 10 -.-5X/...	26892	ISO 5781-06-07-0-00	10D
DR 20 -.-4X/...	26893	ISO 5781-08-10-0-00	25D
DR 20 -.-5X/...	26892	ISO 5781-08-10-0-00	25D
DR 30 -.-5X/...	26892	ISO 5781-10-13-0-00	30D
DR 5 DP.-1X/...	26555	DIN 24340 form C	05C
DR 6 DP.-5X/...	26564	ISO 4401-03-02-0-05 and NFPA T3.5.1 R2-2002 D03	06A (06U)
DRE(E). 6 ..-1X/..	29175	ISO 4401-03-02-0-05 and NFPA T3.5.1 R2-2002 D03	06A (06U)
DRE(M). 30 -6X/...	29278	ISO 5781-10-13-0-00	30D
DRE(M) 10 -.-6X/...	29276	ISO 5781-06-07-0-00	10D
DRE(M) 20 -6X/...	29276	ISO 5781-08-10-0-00	25D
DRE(M)E.. 30 -6X/...	29278	ISO 5781-10-13-0-00	30D
DRE(M)E 10 -.-6X/...	29276	ISO 5781-06-07-0-00	10D
DRE(M)E 20 -6X/...	29276	ISO 5781-08-10-0-00	25D
DREB 6 X-1X/...	29182	ISO 4401-03-02-0-05 and NFPA T3.5.1 R2-2002 D03	06A (06U)
DREB 10 Z-1X/...	29198	ISO 5781-06-07-0-00	10D
DREBE 6 X-1X/...	29195	ISO 4401-03-02-0-05 and NFPA T3.5.1 R2-2002 D03	06A (06U)
DREBE 10 Z-1X/...	29199	ISO 5781-06-07-0-00	10D
DRG 10 -1X/...	29145	ISO 5781-06-07-0-00	10D
DRG 20 -1X/...	29145	ISO 5781-08-10-0-00	25D
DRG 30 -1X/...	29145	ISO 5781-10-13-0-00	30D

Assignment of the valves according to size and porting pattern

Valve type	Data sheet	ISO / DIN / Rexroth specific hole pattern	Denomination in the type code
DRS 6-1X/...	29173	ISO 4401-03-02-0-05 and NFPA T3.5.1 R2-2002 D03	06A (06U)
DZ 10 DP-4X/...	26099	ISO 5781-06-07-0-00	10D
DZ 10 -.-5X/...	26391	ISO 5781-06-07-0-00	10D
DZ 20 -.-5X/...	26391	ISO 5781-08-10-0-00	25D
DZ 30 -.-5X/...	26391	ISO 5781-10-13-0-00	30D
DZ 5 DP-1X/...	26055	DIN 24340 form C	05C
DZ 6 DP-5X/...	26076	ISO 4401-03-02-0-05 and NFPA T3.5.1 R2-2002 D03	06A (06U)
F 5 P3-3X/..	27761	Rexroth specific hole pattern	05G
FD 12 PA2X/...	27551	ISO 5781-06-07-0-00	10D
FD 16 PA2X/...	27551	ISO 5781-06-07-0-00	10D
FD 25 PA2X/...	27551	ISO 5781-08-10-0-00	25D
FD 32 PA2X/...	27551	ISO 5781-10-13-0-00	30D
H-3WE 10 ..4X/...	24851	ISO 4401-05-04-0-05 and NFPA T3.5.1 R2-D05	10A
H-3WE 10 ..4X/...	24851	ISO 4401-05-04-0-05 and NFPA T3.5.1 R2-D05	10A
H-3WE 16 ..7X/...	24851	ISO 4401-07-07-0-05 and NFPA T3.5.1 R2-D07	16A
H-3WE 16 ..7X/...	24851	ISO 4401-07-07-0-05 and NFPA T3.5.1 R2-D07	16A
H-3WE 22 ..7X/...	24851	ISO 4401-08-08-0-05 and NFPA T3.5.1 R2	25A
H-3WE 22 ..7X/...	24851	ISO 4401-08-08-0-05 and NFPA T3.5.1 R2	25A
H-3WE 25 ..6X/...	24851	ISO 4401-08-08-0-05 and NFPA T3.5.1 R2	25A
H-3 WE 25 ..6X/...	24851	ISO 4401-08-08-0-05 and NFPA T3.5.1 R2	25A
H-3 WE 32 ..6X/...	24851	ISO 4401-10-09-0-05 and NFPA T3.5.1 R2-D10	32A
H-3 WE 32 ..6X/...	24851	ISO 4401-10-09-0-05 and NFPA T3.5.1 R2-D10	32A
H-3 WPH 10 ..4X/...	24851	ISO 4401-05-04-0-05 and NFPA T3.5.1 R2-D05	10A
H-3 WPH 16 ..7X/...	24851	ISO 4401-07-07-0-05 and NFPA T3.5.1 R2-D07	16A
H-3 WPH 22 ..7X/...	24851	ISO 4401-08-08-0-05 and NFPA T3.5.1 R2	25A
H-3 WPH 25 ..6X/...	24851	ISO 4401-08-08-0-05 and NFPA T3.5.1 R2	25A
H-3 WPH 32 ..6X/...	24851	ISO 4401-10-09-0-05 and NFPA T3.5.1 R2-D10	32A
H-4 WE 10 ..4X/...	24851	ISO 4401-05-04-0-05 and NFPA T3.5.1 R2-D05	10A
H-4 WE 10 ..4X/...	24851	ISO 4401-05-04-0-05 and NFPA T3.5.1 R2-D05	10A
H-4 WE 10 ..4X/...	24851	ISO 4401-05-04-0-05 and NFPA T3.5.1 R2-D05	10A
H-4 WE 16 ..7X/...	24851	ISO 4401-07-07-0-05 and NFPA T3.5.1 R2-D07	16A
H-4 WE 16 ..7X/...	24851	ISO 4401-07-07-0-05 and NFPA T3.5.1 R2-D07	16A
H-4 WE 16 ..7X/...	24851	ISO 4401-07-07-0-05 and NFPA T3.5.1 R2-D07	16A
H-4 WE 22 ..7X/...	24851	ISO 4401-08-08-0-05 and NFPA T3.5.1 R2	25A
H-4 WE 22 ..7X/...	24851	ISO 4401-08-08-0-05 and NFPA T3.5.1 R2	25A
H-4 WE 22 ..7X/...	24851	ISO 4401-08-08-0-05 and NFPA T3.5.1 R2	25A
H-4 WE 25 ..6X/...	24851	ISO 4401-08-08-0-05 and NFPA T3.5.1 R2	25A
H-4 WE 25 ..6X/...	24851	ISO 4401-08-08-0-05 and NFPA T3.5.1 R2	25A
H-4 WE 25 ..6X/...	24851	ISO 4401-08-08-0-05 and NFPA T3.5.1 R2	25A
H-4 WE 32 ..6X/...	24851	ISO 4401-10-09-0-05 and NFPA T3.5.1 R2-D10	32A
H-4 WE 32 ..6X/...	24851	ISO 4401-10-09-0-05 and NFPA T3.5.1 R2-D10	32A
H-4 WE 32 ..6X/...	24851	ISO 4401-10-09-0-05 and NFPA T3.5.1 R2-D10	32A
H-4WE 25 ..6X/...	24751	ISO 4401-08-08-0-05 and NFPA T3.5.1 R2	25A
H-4WEH 10 ..4X/...	24751	ISO 4401-05-04-0-05 and NFPA T3.5.1 R2-D05	10A
H-4WEH 16 ..6X/...	24751	ISO 4401-07-07-0-05 and NFPA T3.5.1 R2-D07	16A
H-4WEH 22 ..7X/...	24751	ISO 4401-08-08-0-05 and NFPA T3.5.1 R2	25A
H-4WEH 25 ..6X/...	24751	ISO 4401-08-08-0-05 and NFPA T3.5.1 R2	25A
H-4WEH 32 ..6X/...	24751	ISO 4401-10-09-0-05 and NFPA T3.5.1 R2-D10	32A
H-4WH 10 ..4X/...	24751	ISO 4401-05-04-0-05 and NFPA T3.5.1 R2-D05	10A
H-4WH 16 ..6X/...	24751	ISO 4401-07-07-0-05 and NFPA T3.5.1 R2-D07	16A
H-4WH 22 ..7X/...	24751	ISO 4401-08-08-0-05 and NFPA T3.5.1 R2	25A

Assignment of the valves according to size and porting pattern

Valve type	Data sheet	ISO / DIN / Rexroth specific hole pattern	Denomination in the type code
H-4WMM 16 .7X/...	22371	ISO 4401-07-07-0-05 and NFPA T3.5.1 R2-D07	16A
H-4WMM 22 .7X/...	22371	ISO 4401-08-08-0-05 and NFPA T3.5.1 R2	25A
M-2SED 10 ..1X/350...	22045	ISO 4401-05-04-0-05 and NFPA T3.5.1 R2-D05	10A
M-2SED 6 ..1X/350..	22049	ISO 4401-03-02-0-05 and NFPA T3.5.1 R2-2002 D03	06A (06U)
M-2SEW 6 ..3X/420..	22058	ISO 4401-03-02-0-05 and NFPA T3.5.1 R2-2002 D03	06A (06U)
M-2SEW 6 ..3X/630...	22058	ISO 4401-03-02-0-05 with M6 mounting screws	06V
M-3SED 10 ..1X/350...	22045	ISO 4401-05-04-0-05 and NFPA T3.5.1 R2-D05	10A
M-3SED 6 ..1X/350..	22049	ISO 4401-03-02-0-05 and NFPA T3.5.1 R2-2002 D03	06A (06U)
M-3SEW 10 .1X/420...	22075	ISO 4401-05-04-0-05 and NFPA T3.5.1 R2-D05	10A
M-3SEW 6 ..3X/420..	22058	ISO 4401-03-02-0-05 and NFPA T3.5.1 R2-2002 D03	06A (06U)
M-3SEW 6 ..3X/630...	22058	ISO 4401-03-02-0-05 with M6 mounting screws	06V
M-3SEW 10 .-1X/630...	22075	ISO 4401-05-04-0-05 and NFPA T3.5.1 R2-D05 M8 mounting screws	10V
M-4SED 10 ..1X/350...	22045	ISO 4401-05-04-0-05 and NFPA T3.5.1 R2-D05	10A
M-4SED 6 .1X/350..	22049	ISO 4401-03-02-0-05 and NFPA T3.5.1 R2-2002 D03	06A (06U)
M-4SEW 10 ..1X/420...	22075	ISO 4401-05-04-0-05 and NFPA T3.5.1 R2-D05	10A
M-4SEW 6 .3X/420..	22058	ISO 4401-03-02-0-05 and NFPA T3.5.1 R2-2002 D03	06A (06U)
M-4SEW 6 .3X/630...	22058	ISO 4401-03-02-0-05 with M6 mounting screws	06V
M-4SEW 10 .-1X/630...	22075	ISO 4401-05-04-0-05 and NFPA T3.5.1 R2-D05 M8 mounting screws	10V
SL 10 P..-4X/...	21468	ISO 5781-06-07-0-00	10D
SL 20 P..-4X/...	21468	ISO 5781-08-10-0-00	25D
SL 30 P..-4X/...	21468	ISO 5781-10-13-0-00	30D
SL 6 PB.-6X/...	21460	ISO 4401-03-02-0-05 and NFPA T3.5.1 R2-2002 D03	06A (06U)
SV 10 P..-4X/...	21468	ISO 5781-06-07-0-00	10D
SV 20 P..-4X/...	21468	ISO 5781-08-10-0-00	25D
SV 30 P..-4X/...	21468	ISO 5781-10-13-0-00	30D
SV 6 PB.-6X/...	21460	ISO 4401-03-02-0-05 and NFPA T3.5.1 R2-2002 D03	06A (06U)

Subplates overview

Denomination	Material number	Page
Size 4		
G04R2-1X/G1/4	R900447986	5
G04R2-1X/UNF20	R900371166	5
G04U4-1X/G1/4	R900527276	6
Size 5		
G05C4-1X/G1/4	R900424379	7
G05C4-1X/G1/4-S	R900424464	7
G05G2-1X/G1/2	R900424455	8
G05G2-1X/G1/4	R900424453	8
Size 6		
G06A4-1X/G1/2-J3	R900519180	13
G06A4-1X/G1/2-L	R901099689	16
G06A4-1X/G1/2-M	R900455110	13
G06A4-1X/G1/4-J3	R900510636	12
G06A4-1X/G1/4-L	R900424447	12
G06A4-1X/G1/4-M	R901099586	9
G06A4-1X/G1/4-S	R900617691	11
G06A4-1X/G1/4-SL	R900422653	10
G06A4-1X/G1/4-SO699	R901410336	18
G06A4-1X/G3/8	R900424448	14
G06A4-1X/G3/8-J3	R900511297	14
G06A4-1X/G3/8-S	R901099691	15
G06A4-1X/M14-L	R900444738	12
G06A4-1X/M14-M	R901099686	9
G06A4-1X/M18	R900445838	14
G06A4-1X/M22	R900469970	13
G06A4-1X/NPT1/2	R900494326	13
G06A4-1X/UNF3/4-16-LJ3	R901439687	13
G06A4-1X/UNF3/4-16-L	R900487397	13
G06A4-1X/UNF3/4-16-M	R900455128	14
G06A4-1X/UNF3/4-16-MJ3	R901439685	14
G06A4-1X/UNF9/16-18-M	R900341065	12
G06A4-1X/UNF9/16-18-MJ3	R901439683	12
G06E2-1X/G1/4	R900425176	17
G06E2-1X/UNF7/16-20	R900497212	17
G06U4-1X/G1/2	R901037457	13
G06U4-1X/G1/2-J3	R901439686	13
G06U4-1X/G1/4	R901027119	12
G06U4-1X/G1/4-J3	R901439682	12
G06U4-1X/G3/8	R901043861	14
G06U4-1X/G3/8-J3	R901439684	14
G06U4-1X/G3/8-S	R901107321	15
G06V4-1X/G1/4	R900356736	18
G06V4-1X/G3/8	R900358639	18
W-G06A4-1X/G1/4	R900354070	18
W-G06V4-1X/G1/4	R900352174	18

Denomination	Material number	Page
Size 10		
G10A4-1X/G1G1/4	R900476059	21
G10A4-1X/G1G1/4-J3	R901439664	21
G10A4-1X/G1G3/8-S-SO771	R900332829	22
G10A4-1X/G1/2	R900424460	19
G10A4-1X/G1/2G1/4-SO331	R901098950	20
G10A4-1X/G1/2-J3	R900436900	19
G10A4-1X/G1/2-L	R900568135	20
G10A4-1X/G3/4	R900467259	20
G10A4-1X/G3/4G1/4	R900476061	21
G10A4-1X/G3/4G1/4-J3	R900336998	21
G10A4-1X/G3/4-J3	R900382284	20
G10A4-1X/G3/4G1/4-SO331	R901088735	20
G10A4-1X/G3/8	R900424457	19
G10A4-1X/G3/8-J3	R900339374	19
G10A4-1X/M18	R900474063	19
G10A4-1X/M27M14	R900339376	21
G10A4-1X/M33M14	R900489146	21
G10A4-1X/UNF3/4-16	R900460656	19
G10A4-1X/UNF9/16-18	R900460655	19
G10A4-1X/UN1 1/16-12	R900487398	20
G10A4-1X/UN1 1/16-12UNF20	R900340150	21
G10A4-1X/UN1 5/16-12UNF20	R900339737	21
G10D2-1X/G1/2G1/4	R900439455	24
G10D2-1X/G1/2G1/4-J3	R900463647	24
G10D2-1X/G3/8G1/4	R900440640	24
G10D2-1X/UNF3/4-16UNF20	R900488054	24
G10D2-1X/UNF9/16-18UNF20	R900361481	24
G10D3-1X/G1/2	R900453699	23
G10D3-1X/G3/8	R900442409	23
G10D3-1X/UNF3/4-16	R900351415	23
G10E2-1X/G1/2	R901092905	17
G10E2-1X/G1/2G1/4	R900411117	25
G10E2-1X/G1/2G1/4-J3	R901156999	25
G10E2-1X/G3/4G1/4	R900489898	27
G10E2-1X/G3/8	R901092884	17
G10E2-1X/G3/8G1/4	R900411116	25
G10E2-1X/G3/8G1/4-SO699	R901408884	26
G10E2-1X/UNF3/4-16UNF20	R900339599	25
G10E2-1X/UNF9/16-18UNF20	R900343968	25
G10G2-1X/G1/2	R900424433	28
G10G2-1X/G3/4	R900424437	28
G10G2-1X/UNF1 1/16-12	R900455127	28
G10G2-1X/UNF3/4-16	R900487923	28
G10G3-1X/G1/2	R900422654	29
G10G3-1X/G1/2G1/4	R900430216	29
G10V4-1X/G1/2	R900433026	30
G10V4-1X/G3/8	R900464300	30
W-G10V4-1X/G1/2	R900407216	30

Subplates overview

Denomination	Material number	Page
Size 16		
G16A4-1X/FL19G1/4	R900429264	33
G16A4-1X/FL19G1/4-J3	R901439672	33
G16A4-1X/G1G1/4	R900424413	31
G16A4-1X/G1G1/4-J3	R900433461	31
G16A4-1X/G3/4G1/4	R900424410	32
G16A4-1X/G3/4G1/4-J3	R901439667	32
G16A4-1X/M27M14	R900424411	32
G16A4-1X/M27M14-J3	R901439670	32
G16A4-1X/M33M14	R900424414	31
G16A4-1X/M33M14-J3	R901439671	31
G16A4-1X/UN1 1/16-12UNF20	R900455125	32
G16A4-1X/UN1 5/16-12UNF18	R900455126	31
G16G2-1X/G1	R900424440	34
G16G2-1X/G1 1/4	R900424442	34
G16G2-1X/NPT1	R900431444	34
G16G2-1X/UN1 5/16-12	R900487924	34
G16G2-1X/UN1 5/8-12	R900357120	34
G16G3-1X/G1	R900422655	35
G16G3-1X/G1G1/4	R900422657	35
Size 20		
G20E2-1X/G1	R900422646	17
G20E2-1X/G3/4	R900422645	17
Size 25		
G25A4-1X/FL32G1/4-J3-SO003	R901439676	38
G25A4-1X/FL32G1/4-SO003	R900424398	38
G25A4-1X/G1G1/4	R900424392	36
G25A4-1X/G1G1/4-J3	R901439673	36
G25A4-1X/G1G1/4-SO003	R900424395	36
G25A4-1X/G1 1/14G1/4	R901099696	37
G25A4-1X/G1 1/2G1/4-J3-SO003	R901439677	39
G25A4-1X/G1 1/2G1/4-SO003	R900424399	39
G25A4-1X/G1 1/4G1/4-J3-SO003	R901439675	39
G25A4-1X/G1 1/4G1/4-SO003	R900424396	39
G25A4-1X/G3/4G1/4	R900445877	36
G25A4-1X/UN1 1/16-12UNF20-SO003	R900455872	36
G25A4-1X/UN1 5/16-12UNF20-SO003	R900584166	36

Denomination	Material number	Page
G25A4-1X/UN1 5/8-12UNF20-SO003	R900455873	39
G25A4-1X/UN1 7/8-12UNF20-SO003	R900490017	39
G25D2-1X/G1G1/4	R900440431	41
G25D2-1X/G3/4G1/4	R900440266	41
G25D2-1X/UN1 1/16-12UNF20	R900455130	41
G25D2-1X/UN1 5/16-12UNF20	R900487396	41
G25D3-1X/G1	R900448459	40
G25D3-1X/G3/4	R900451805	40
G25D3-1X/UN1 1/16-12	R900352206	40
G25E2-1X/G1G1/4	R900435663	42
G25E2-1X/G1G1/4-J3	R901018328	42
G25E2-1X/G3/4G1/4	R900439820	42
G25E2-1X/G3/4G1/4-SO699	R901408886	43
G25E2-1X/UN1 1/16-12UNF20	R900455129	42
G25E2-1X/UN1 5/16-12UNF20	R900485504	42
Size 30		
G30E2-1X/G1 1/2	R900422647	17
G30E2-1X/G1 1/4	R900424755	17
Size 32		
G32A4-1X/FL51G3/8	R900424227	45
G32A4-1X/FL51G3/8-J3	R901439680	45
G32A4-1X/G1 1/2G3/8	R900424402	44
G32A4-1X/G1 1/2G3/8-J3	R901439678	44
G32A4-1X/M48M18	R900424403	44
G32A4-1X/M48M18-J3	R901439679	44
G32D2-1X/G1 1/2G1/4	R900441983	47
G32D2-1X/G1 1/4G1/4	R900443673	47
G32D2-1X/UN1 7/8-12UNF20	R900339598	47
G32D3-1X/G1 1/2	R900453893	46
G32D3-1X/G1 1/4	R900445297	46
G32D3-1X/UN1 7/8-12	R900379098	46
G32E2-1X/G1 1/2G1/4	R900439106	48
G32E2-1X/G1 1/2G1/4-J3	R900580254	48
G32E2-1X/G1 1/4G1/4	R900440340	48
G32E2-1X/G1 1/4G1/4-SO699	R901408888	49
G32E2-1X/UN1 5/8-12UNF20	R900339043	48
G32E2-1X/UN1 7/8-12UNF20	R900340082	48

Notes

Bosch Rexroth AG
Hydraulics
Zum Eisengießer 1
97816 Lohr am Main, Germany
Phone +49 (0) 93 52/ 18-0
documentation@boschrexroth.de
www.boschrexroth.de

© This document, as well as the data, specifications and other information set forth in it, are the exclusive property of Bosch Rexroth AG. It may not be reproduced or given to third parties without its consent.
The data specified above only serve to describe the product. No statements concerning a certain condition or suitability for a certain application can be derived from our information. The information given does not release the user from the obligation of own judgment and verification. It must be remembered that our products are subject to a natural process of wear and aging.

Notes

Bosch Rexroth AG
Hydraulics
Zum Eisengießer 1
97816 Lohr am Main, Germany
Phone +49 (0) 93 52/18-0
documentation@boschrexroth.de
www.boschrexroth.de

© This document, as well as the data, specifications and other information set forth in it, are the exclusive property of Bosch Rexroth AG. It may not be reproduced or given to third parties without its consent.
The data specified above only serve to describe the product. No statements concerning a certain condition or suitability for a certain application can be derived from our information. The information given does not release the user from the obligation of own judgment and verification. It must be remembered that our products are subject to a natural process of wear and aging.

Subplates

Bosch Rexroth AG
Hydraulics
Zum Eisengießer 1
97816 Lohr am Main, Germany
Phone +49 (0) 93 52/18-0
documentation@boschrexroth.de
www.boschrexroth.de

© This document, as well as the data, specifications and other information set forth in it, are the exclusive property of Bosch Rexroth AG. It may not be reproduced or given to third parties without its consent.
The data specified above only serve to describe the product. No statements concerning a certain condition or suitability for a certain application can be derived from our information. The information given does not release the user from the obligation of own judgment and verification. It must be remembered that our products are subject to a natural process of wear and aging.