

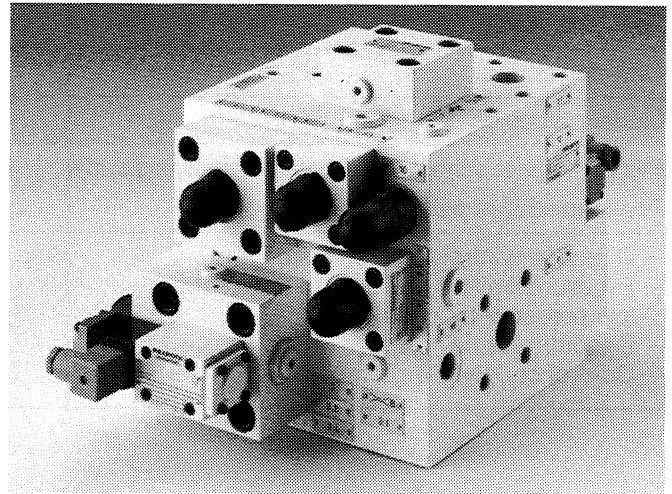
**MANNESMANN
REXROTH****Press module, type L****RE
63 138/01.92**

Up to 4500 L/min

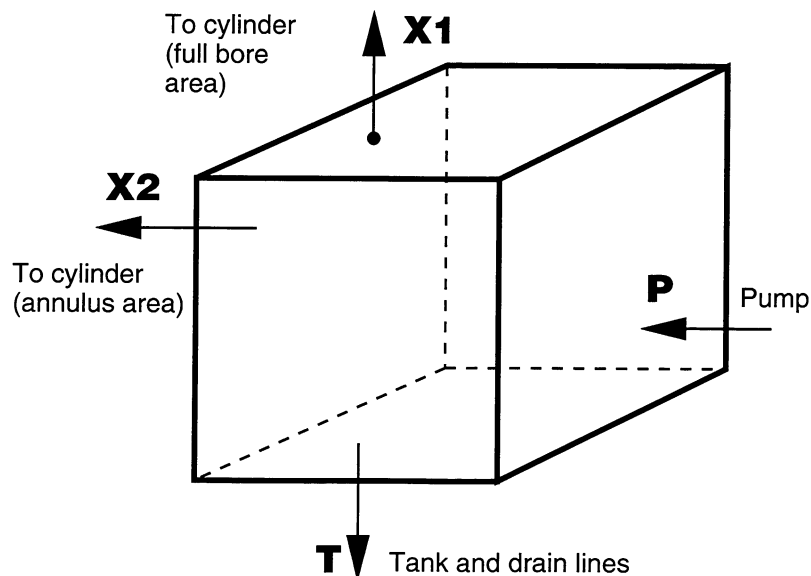
Up to 315 bar

Features

- The controls do not comply with the German safety regulations.
- All the valves are mounted onto or inserted into the manifold.
- Piping is only required to the actuators, pump and tank.
- Control design is clear.
- The surface mounted and inserted valves are easily accessible.
- Controls are tested as standard.



H/S 3076
Press module, type L

System representation

Contents								
Contents	Page							
General Description, installation, commissioning	2							
Technical data	3							
Ordering codes	4 and 5							
Model examples	6 to 13							
Press module: schematic diagrams, ordering code								
Press modules with functions								
– Direction control of press piston	Size 20	Size 25	Size 32	Size 40	Size 50	Size 63	Size 80	Size 100
– Pressure limiting of the main pump and low pressure by-pass								
– Decompression								
– Control of downwards movement	14 - 17	18 - 23	24 - 29	30 - 37	38 - 41	42 - 45	46 - 47	48 - 49

General

The press circuit is completely mounted on a manifold. All devices are installed so that they are easily accessible and are coded with item numbers.

The function of the press control may be deduced from the schematic diagram which follows.

Installation specification

The press module should be mounted as closely as possible to the cylinder. The installation position is optional, but the 4/2-way directional valves should preferably lie horizontally. The pipe between the manifold and the cylinder must be designed for the max. setting pressure of the pressure relief valves.

All port codes are stamped into the manifold. The ports must be piped in accordance with the hydraulic circuit.

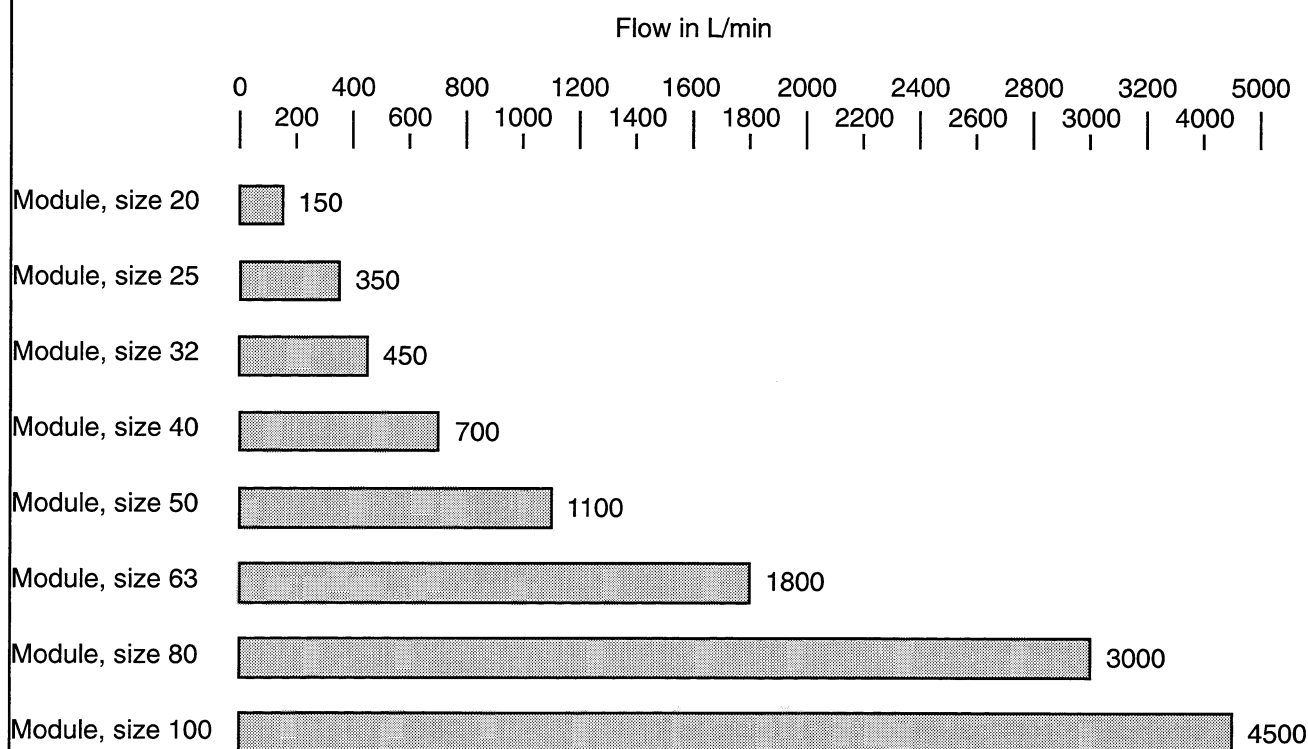
The screw plugs on the manifold, which do not have a port code must not be removed.

The following commissioning and service notes must be taken into account as necessary:

- RE 07 080 Commissioning, operation and servicing of hydraulic pumps and hydraulic motors
- RE 07 100 Commissioning, operation and servicing of hydraulic cylinders
- RE 07 300 Commissioning and servicing of hydraulic open loop and closed loop control devices
- RE 07 900 Commissioning and servicing of hydraulic systems.

Technical data: general and hydraulic (For operation outside these parameters, please consult us!)

Installation position		Optional, preferably horizontal
Ambient temperature range	°C	-20 to +50
Fluid		Mineral oils (HL, HLP) to DIN 51 524, other fluids on enquiry
Fluid temperature range	°C	-20 to +80
Viscosity range	mm ² /s	2,8 to 500
Fluid cleanliness		Maximum permissible degree of contamination of fluid to NAS 1638 Class 9. We therefore recommend a filter with a minimum retention rate of $\beta_{10} \geq 75$.
Operating pressure	bar	
Port:	P, X1, X1.1, X2, X3, X4 T Y	Up to 315 Up to 16 Low pressure to tank
Size of module		20 25 32 40 50 63 80 100
Max. flow	L/min	150 350 450 700 1100 1800 3000 4500

Flow through press modules

Maximum flow from annulus chamber of cylinder to port X2 to T and from hydraulic pump to port P to X1.

Ordering Code

IH04 M				L					2X	/			/	/		*
--------	--	--	--	---	--	--	--	--	----	---	--	--	---	---	--	---

Module

Size 20	=	20
Size 25	=	25
Size 32	=	32
Size 40	=	40
Size 50	=	50
Size 63	=	63
Size 80	=	80
Size 100	=	100

Press module

Type of circuit L = L

Type of model

See separate order

Flow symbol for control valve

Item .020 (only M or D permissible)

Series 20 to 29

(20 to 29, externally interchangeable) = 2X

Solenoids

Wet pin standard solenoid	=	A
High performance solenoid	=	B
Wet pin standard solenoid with removable coil	=	C

Solenoid voltage

DC 24 V	=	G 24
AC 220 V, 50 Hz	=	W 220-50
AC 110 V, 50 Hz (standard solenoids "A")	=	W 110-50

Without emergency operation –	=	No code
With covered emergency operation –	=	N9

Electrical connection

Plug-in connector to DIN 43 650	=	Z4
Large plug-in connector	=	Z5
Large plug-in connector with light	=	Z5L
Without plug-in connector	=	K4

Pump pressure limiting item .032

Pilot operated	=	DB
Pilot operated, solenoid unloading, open when de-energised	=	DBW
Pilot operated, electrical proportional, maximum pressure limit	=	DBE

Logic element item .030

Valve poppet without damping nose	=	E
Valve poppet with damping nose	=	D
Standard model	=	E

Further details in clear text

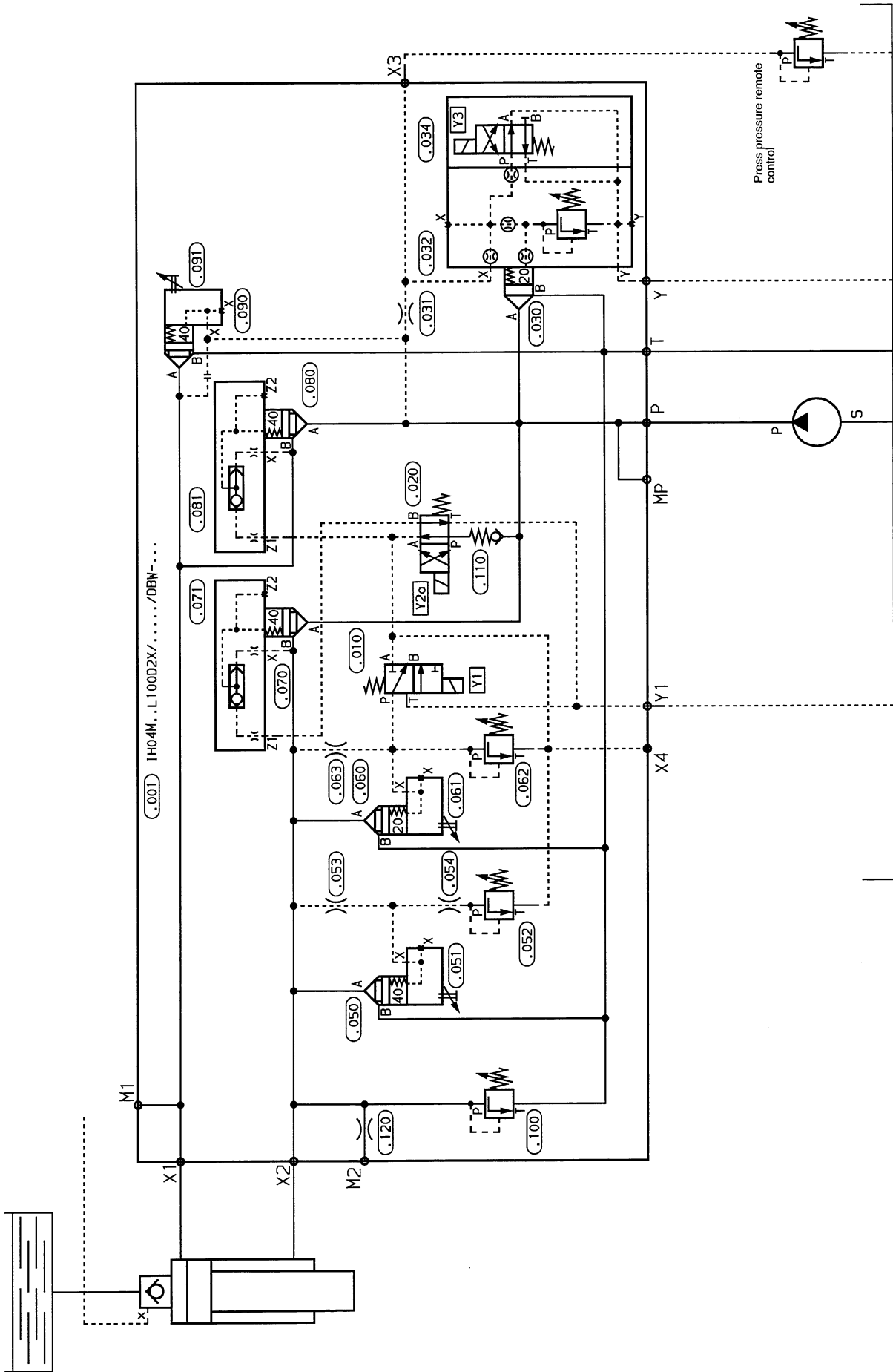
Connecting flanges must be ordered separately.
For further electrical connections, voltages and frequencies see data sheets RE 23 316, RE 23 177

Press module L: Model types

1	= Basic model
2	= Basic model with rapid traverse cylinder
3	= Basic model with low pressure - high pressure
4	= Basic model with rapid traverse cylinder and low pressure - high pressure
0 0	= Basic model
0 1	= Without decompression valve - items .090, .091
0 2	= Pressure holding, item .090 with mounted 3-SEW ...
0 3	= Decompression via DBE - item .090
0 4	=
0 5	=
0 6	=
1 2	= Fast approach under weight of parts, item .030 with DBEM and directional valve unloading
1 3	= Fast approach under weight of parts and pressure holding (as .02)
1 4	= Fast approach under weight of parts
5 0	= Basic model, leakage free (as .00)
5 1	= Without decompression valve (as .01) and leakage free
5 2	= Pressure holding (as .02) and leakage free
5 3	= Decompression via DBE (as .03) and leakage free

Example for sizes 20 to 100

Press module
Circuit type L



Description and function of valves in press moduleL100D2X/...,**Size 20 to 100****Prerequisite for application**

- Rapid approach under weight of parts,
- Minimum holding pressure 15 bar.

Pressure limiting of pump and low pressure bypass

The pump is pressure limited by means of the 2-way cartridge valve (items .030 and .032). The max. operating pressure is set at the pressure relief valve, which is built into the control cover (item .032) as a pilot valve. When the directional valve (item .034) is at rest the 2-way cartridge valve (item .030) is open and the pump only delivers oil against the closing spring to tank of the valve.

Press force, remote control - X3

The press force may be separately set by means of a remote control valve which is connected to port X3.

Control of direction of the press ram

Items .080 and .081 act as an intake valve for the process "pressing".

Items .070 and .071 act as an inlet valve for lifting (return) of the plunger to its initial position.

Directional valve (item .020 – symbol "D") ensures that the inlet valve for pressing is kept closed when it is at rest. The 2-way cartridge valve (item .070), inlet valve for the return, is open. It is only pushed into its seat by the force of the closing spring of item .071.

This means that only one press module may be connected to the main pump.

Rapid traverse – down

The energising of solenoids Y1 and Y2a cause the pilot oil chamber of the 2-way cartridge valve (item .060) to unload so that oil is able to flow to tank. Max. velocity is set by the stroke limiter on item .061.

Rapid traverse – end

Solenoid Y1 is de-energised and the 2-way cartridge valve (item .060) is closed with the pressure which was set at the pressure relief valve (item .062). This means that the value of the pressure set determines whether the plunger is decelerated harshly or gently to the press velocity. The deceleration pressure, set at item .062 must be set higher than the holding pressure. The holding pressure including the pressure limit for weight compensation is set at pressure relief valve (item .052).

During the deceleration phase from rapid traverse into press velocity the 2-way cartridge valve (item .060) is closed. Dependent on the increasing deceleration pressure and the unloading of the pilot oil chamber via item .052, the 2-way cartridge valve (item .050) opens without spool overlap occurring.

Pressing

The cylinder carries out the pressing stroke under pressure due to the pressure relief valve (item .052). The max. press velocity is set by the stroke limit of item .051, except in the case of module, size 20 where it is set by the throttle of item .050.

Decompression

After pressing has been carried out, decompression of the system takes place by means of the 2-way cartridge valve (items .090 and .091). The decompression time is set by the stroke limit of the control cover (item .091).

The pressure relief valve (item .780) is set 10% higher than the max. operating pressure and wire locked.

Return

Energising of solenoid Y3 and de-energising of Y2a. The pump delivers oil to the annulus chamber of the cylinder and the press lifts.

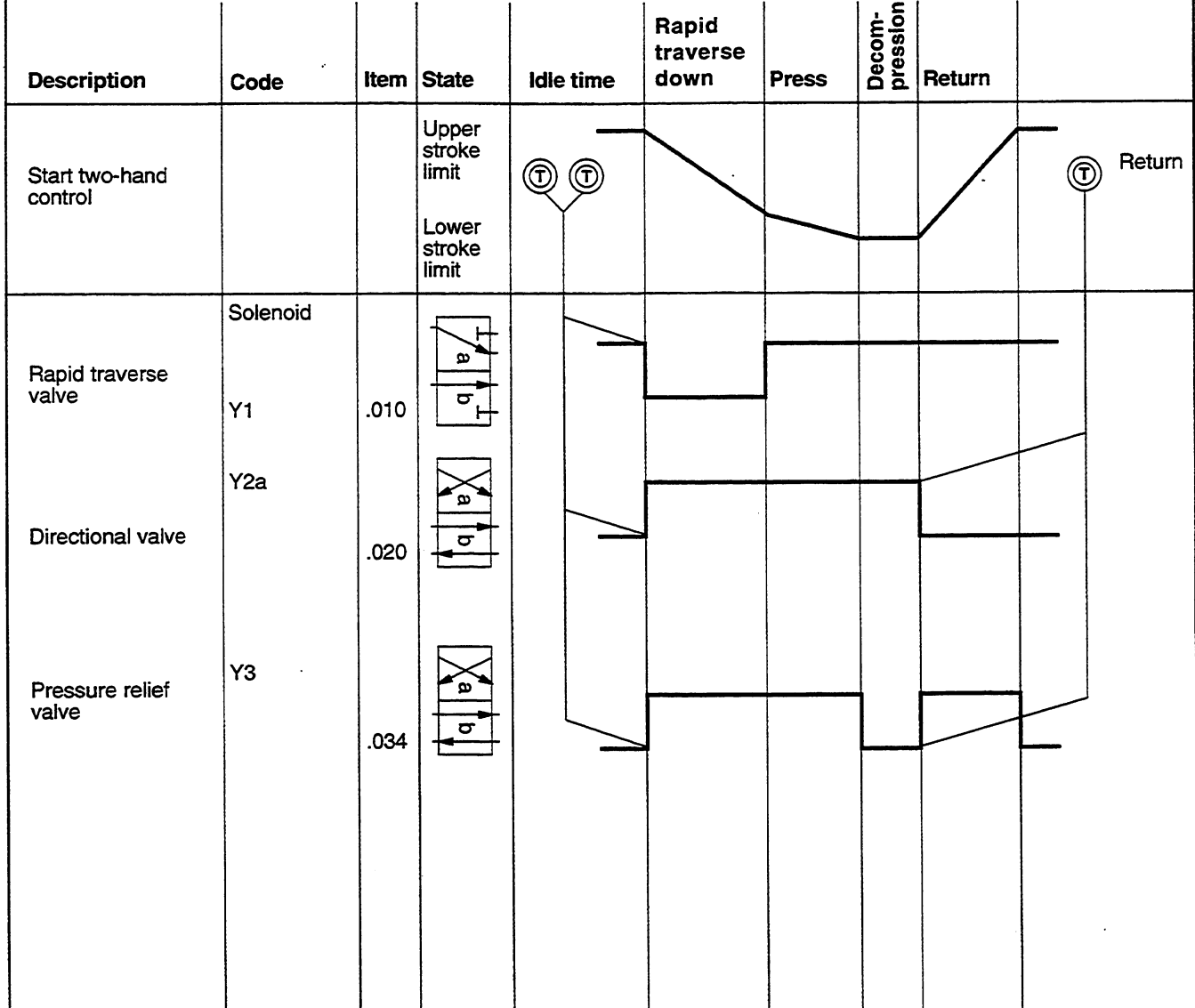
The oil from the full bore of the cylinder flows via the prefill valve to tank.

Port X4 is normally closed. If no pilot pump is available, the prefill valve may be controlled via X4.

If the return pressure is allowed to be higher than the pressing pressure set at the remote control valve, then (and only then) is the tank line of the remote control valve connected to port X4.

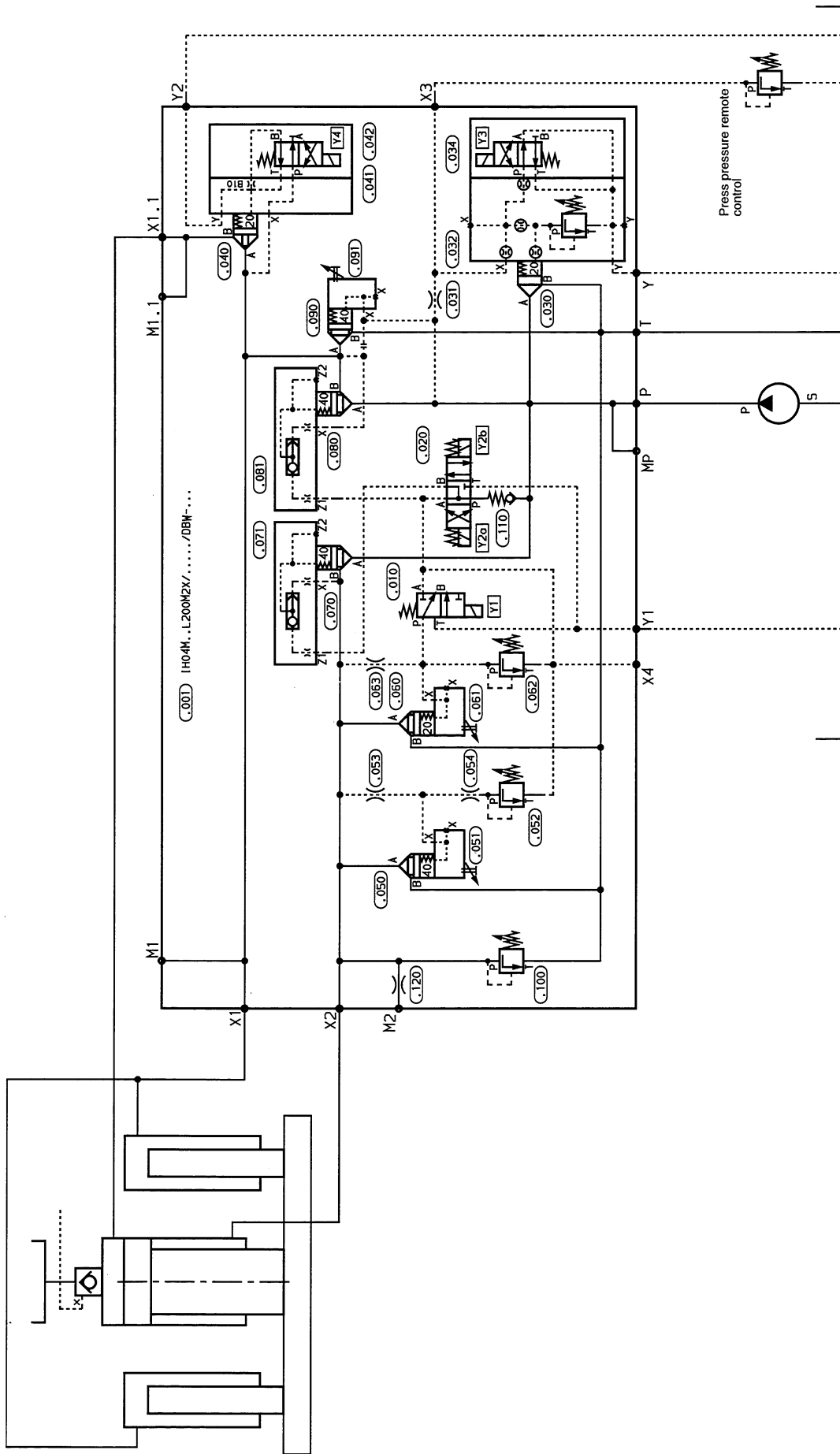
The pressure relief valve (item .100) used for limiting the annulus pressure is set 10% higher than the max. operating pressure and wire locked.

Function diagram: Normal press cycle, modelL100D2X/....



Example for sizes 20 to 100

Press module
Circuit type L



Description and funktion of valves in press module ...L200M2X/...,**Size 20 to 100****Prerequisite for application**

- Rapid approach under weight of parts is not possible
- Rapid traverse by means of rapid traverse cylinder

Pressure limiting of pump and low pressure bypass

The pump is pressure limited by means of the 2-way cartridge valve (items .030 and .032). The max. operating pressure is set at the pressure relief valve, which is built into the control cover (item .032) as a pilot valve. When the directional valve (item .034) is at rest the 2-way cartridge valve (item .030) is open and the pump only delivers oil against the closing spring to tank of the valve.

Press force remote control - X3

The press force may be separately set by means of a remote control valve which is connected to port X3.

Control of direction of the press ram

Items .080 and .081 act as an inlet valve for the process "pressing".

Items .070 and .071 act as an inlet valve for lifting (return) of the plunger to its initial position.

Directional valve (item .020 – Symbol "M") ensures that the inlet valve for pressing and return is kept closed. It is therefore possible to connect several press modules to the main pump or have the main pump carry out several auxiliary movements. In this case the pressure control valve (item .030) must be closed by means of energising solenoid Y3.

Rapid traverse – down

By operating the directional valve (item .042-Y.4) the 2-way cartridge valve (item .040) is closed. Oil from the pump is now only able to flow to the rapid traverse cylinders via port X1.

The energising of solenoids Y1 and Y2a cause the pilot oil chamber of the 2-way cartridge valve (item .060) to unload so that oil is able to flow to tank. Max. velocity is set by the stroke limiter on item .061.

Rapid traverse – end

The directional valve (item .042 - Y4) is de-energised dependent on the position of the ram. The 2-way cartridge valve (item .040) opens and connects the rapid traverse cylinders to the main cylinder in order to produce the required force for pressing. Solenoid Y1 is de-energised on the cylinder annulus side, and the 2-way cartridge valve (item .060) is closed with the pressure which was set at pressure relief valve (item .062).

This means that the value of the pressure set determines whether the plunger is decelerated harshly or gently to the press velocity. The deceleration pressure, set at item .062 must be set higher than the holding pressure. The holding pressure including the pressure limit for weight compensation is set at pressure relief valve (item .052).

During the deceleration phase from rapid traverse into press velocity the 2-way cartridge valve (item .060) is closed. Dependent on the increasing deceleration pressure and the unloading of the pilot oil chamber via item .052, the 2-way cartridge valve (item .050) opens without spool overlap occurring.

Pressing

The cylinder carries out the pressing stroke under pressure due to the pressure relief valve (item .052). The max. press velocity is set by the stroke limit of item .051, except in the case of module, size 20 where it is set by the throttle of item .050.

Decompression

After pressing has been carried out, decompression of the system takes place by means of the 2-way cartridge valve (items .090 and .091). The decompression time is set by the stroke limit of the control cover (item .091).

Return

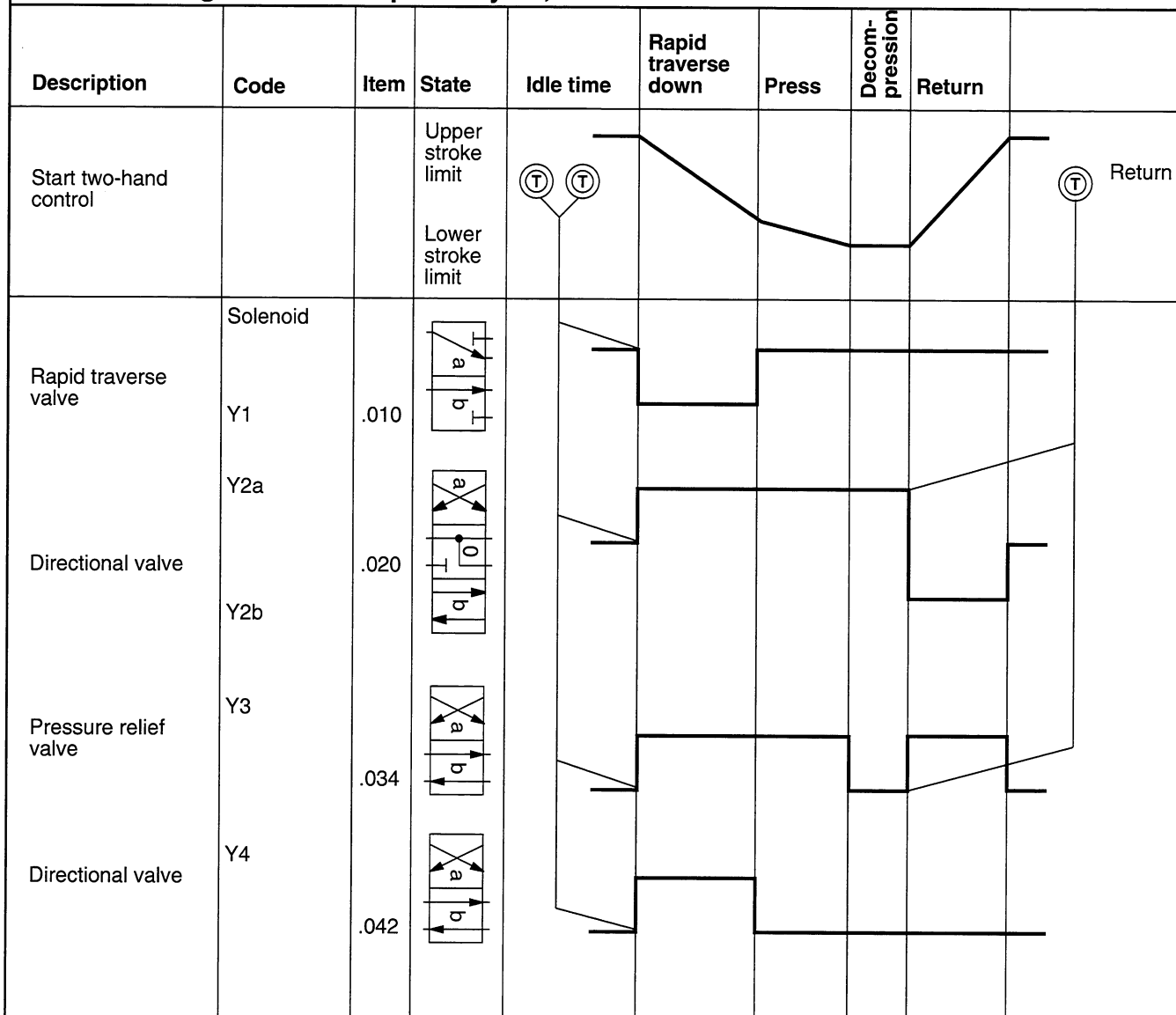
During return (switching of Y2b and Y3) oil flows from the piston chambers of the the rapid traverse cylinders via the 2-way cartridge valve (item .040) to the press cylinder and then via the prefill valve to tank.

Pressure relief valve (item .100) used for limiting the annulus pressure is set 10% higher than the max. operating pressure and wire locked.

Port X4 is normally closed. If no pilot pump is available, the prefill valve may be controlled via X4.

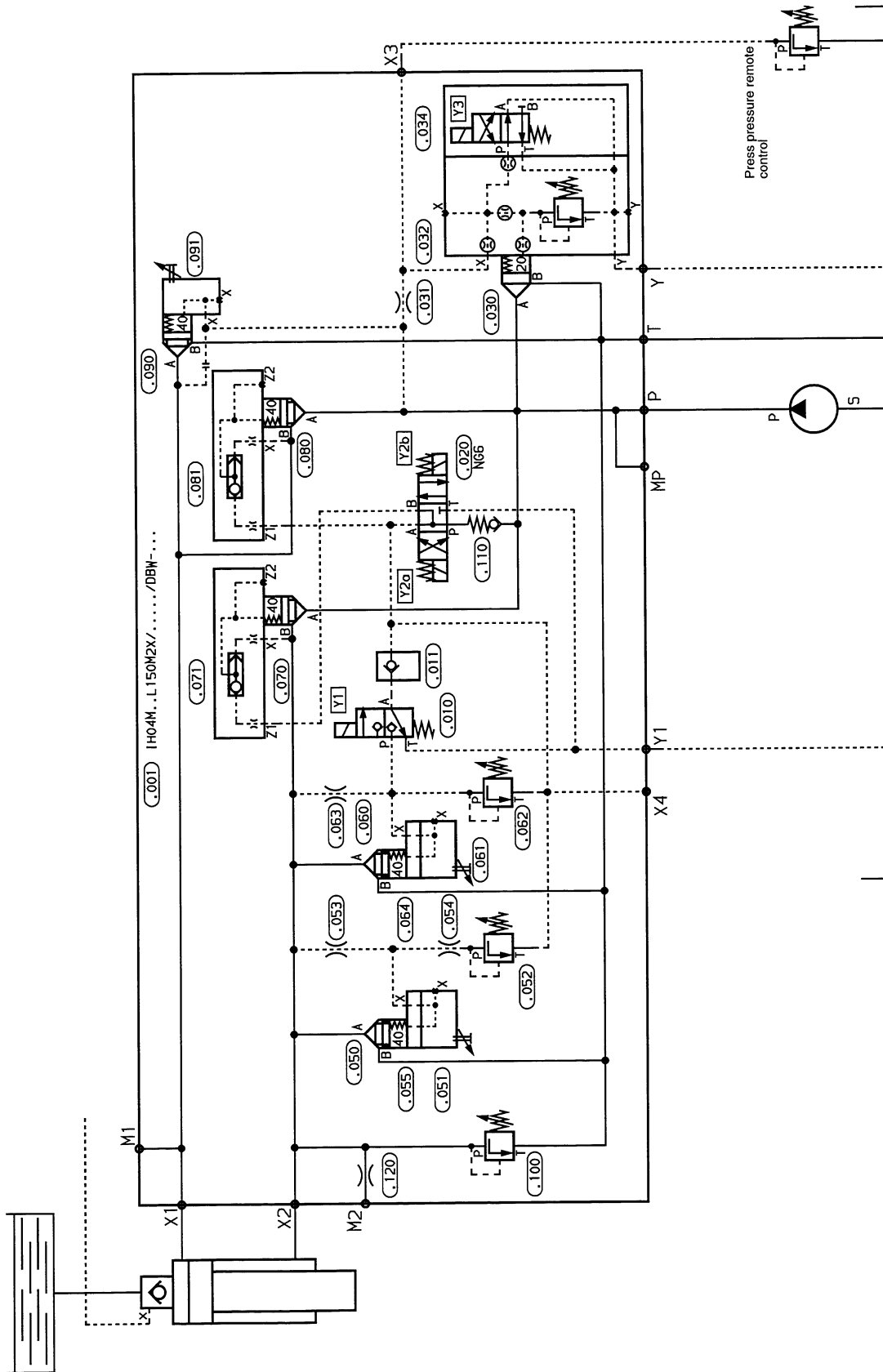
If the return pressure is allowed to be higher than the pressing pressure set at the remote control valve, then (and only then) is the tank line of the remote control valve connected to port X4.

Function diagram: Normal press cycle, model ...L200M2X/....



Example for sizes 20 to 100

Press module
Circuit type L



Description and function of valves in press module ...L150M2X/...,**Size 20 to 100****Prerequisite for application**

- Rapid approach under weight of parts,
- Minimum holding pressure 15 bar,
- In this module the valves for the annulus of the cylinder (X2) are leak free, i.e. with no pressure the cylinder is able to remain stationary at any position without loss of oil.

Pressure limiting of pump and low pressure bypass

The pump is pressure limited by means of the 2-way cartridge valve (items .030 and .032). The max. operating pressure is set at the pressure relief valve, which is built into the control cover (item .032) as a pilot valve. When the directional valve (item .034) is at rest the 2-way cartridge valve (item .030) is open and the pump only delivers oil against the closing spring to tank of the valve.

Press force, remote control - X3

The press force may be separately set by means of a remote control valve which is connected to port X3.

Control of direction of the press ram

Items .080 and .081 act as an inlet valve for the process "pressing".

Items .070 and .071 act as an inlet valve for lifting (return) of the plunger to its initial position.

Directional valve (item .020 – Symbol "M") ensures that the inlet valve for pressing and return is kept closed. It is therefore possible to connect several press modules to the main pump or have the main pump carry out several auxiliary movements. In this case the pressure control valve (item .030) must be closed by means of energising solenoid Y3.

Rapid traverse – down

The energising of solenoids Y1 and Y2a cause the pilot oil chamber of the 2-way cartridge valve (item .060) to unload so that oil is able to flow to tank. Max. velocity is set by the stroke limiter on item .061.

Rapid traverse – end

Solenoid Y1 is de-energised and the 2-way cartridge valve (item .060) is closed with the pressure which was set at the pressure relief valve (item .062). This means that the value of the pressure set determines whether the plunger is decelerated harshly or gently to the press velocity. The deceleration pressure, set at item .062 must be set higher than the holding pressure. The holding pressure including the pressure limit for weight compensation is set at pressure relief valve (item .052).

During the deceleration phase from rapid traverse into press velocity the 2-way cartridge valve (item .060) is closed. Dependent on the increasing deceleration pressure and the unloading of the pilot oil chamber via item .052, the 2-way cartridge valve (item .050) opens without spool overlap occurring.

Pressing

The cylinder carries out the pressing stroke under pressure due to the pressure relief valve (item .052). The max. press velocity is set by the stroke limit of item .051, except in the case of module, size 20 where it is set by the throttle of item .050.

Decompression

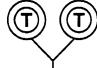
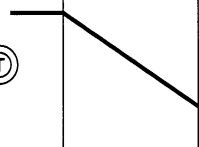
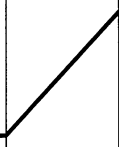

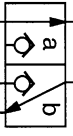
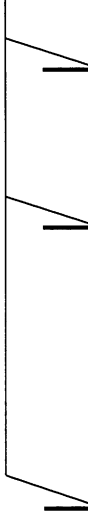




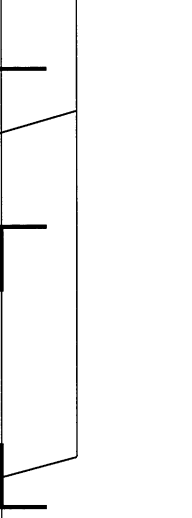
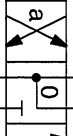


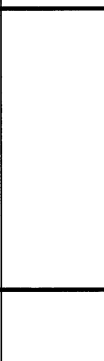

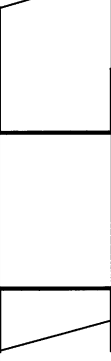
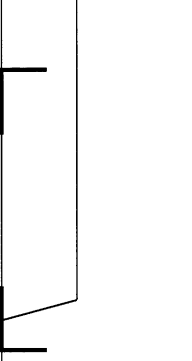
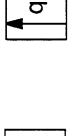

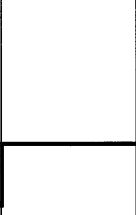
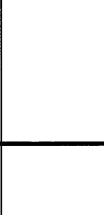
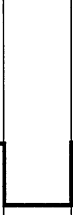

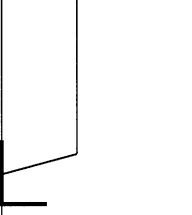
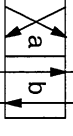
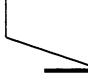
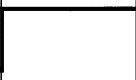


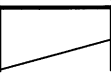
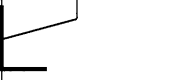
After pressing has been carried out, decompression of the system takes place by means of the 2-way cartridge valve (items .090 and .091). The decompression time is set by the stroke limit of the control cover (item .091).

Return

Energising of solenoids Y2b and Y3. Oil from the piston chamber of the cylinder flows via the prefill valve to tank.

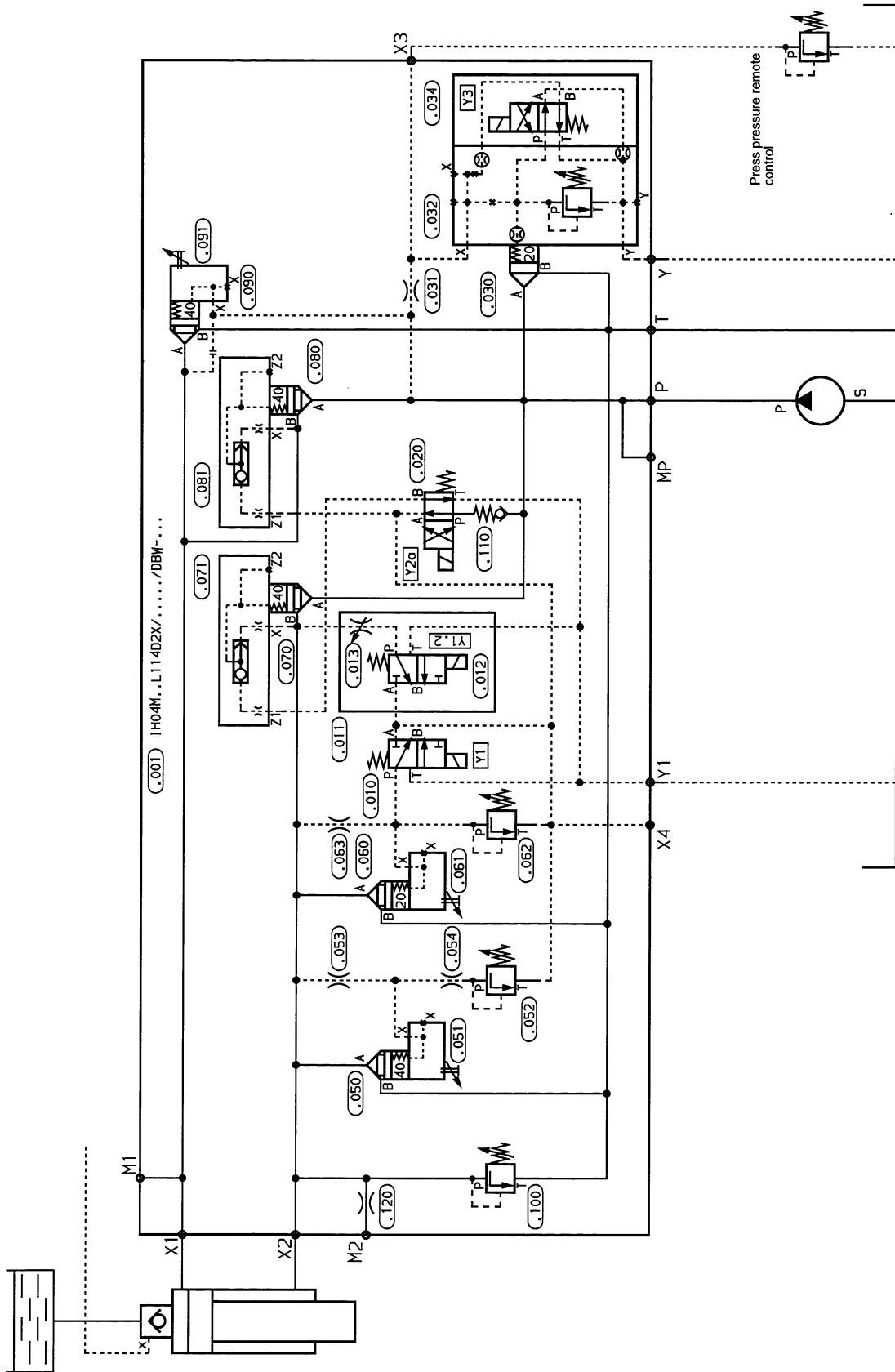
The pressure relief valve (item .100) used for limiting the annulus pressure is set 10% higher than the max. operating pressure and wire locked.

Port X4 is normally closed. If no pilot pump is available, the prefill valve may be controlled via X4. If the return pressure is allowed to be higher than the pressing pressure set at the remote control valve, then (and only then) is the tank line of the remote control valve connected to port X4.

Description	Code	Item	State	Idle time	Rapid traverse down	Press	Decompression	Return	
Start two-hand control			Upper stroke limit Lower stroke limit						 Return
Rapid traverse valve	Solenoid Y1	.010							
Directional valve	Y2a	.020							
Directional valve	Y2b								
Pressure relief valve	Y3	.034							

Example for sizes 20 to 100

Press module
Circuit type L



Description and function of valves in press moduleL114D2X/...,**Size 20 to 100****Prerequisite for application**

- Standard setting for free fall,
- Pressure free,
- Minimum holding pressure min. 15 bar.


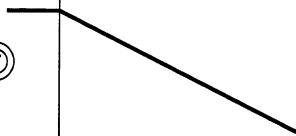


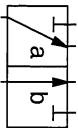
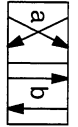

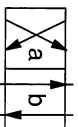
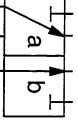

Standard setting

By energising Y1.2 and Y2a the function "setting-up" is started. The velocity is set at throttle valve (item .013).

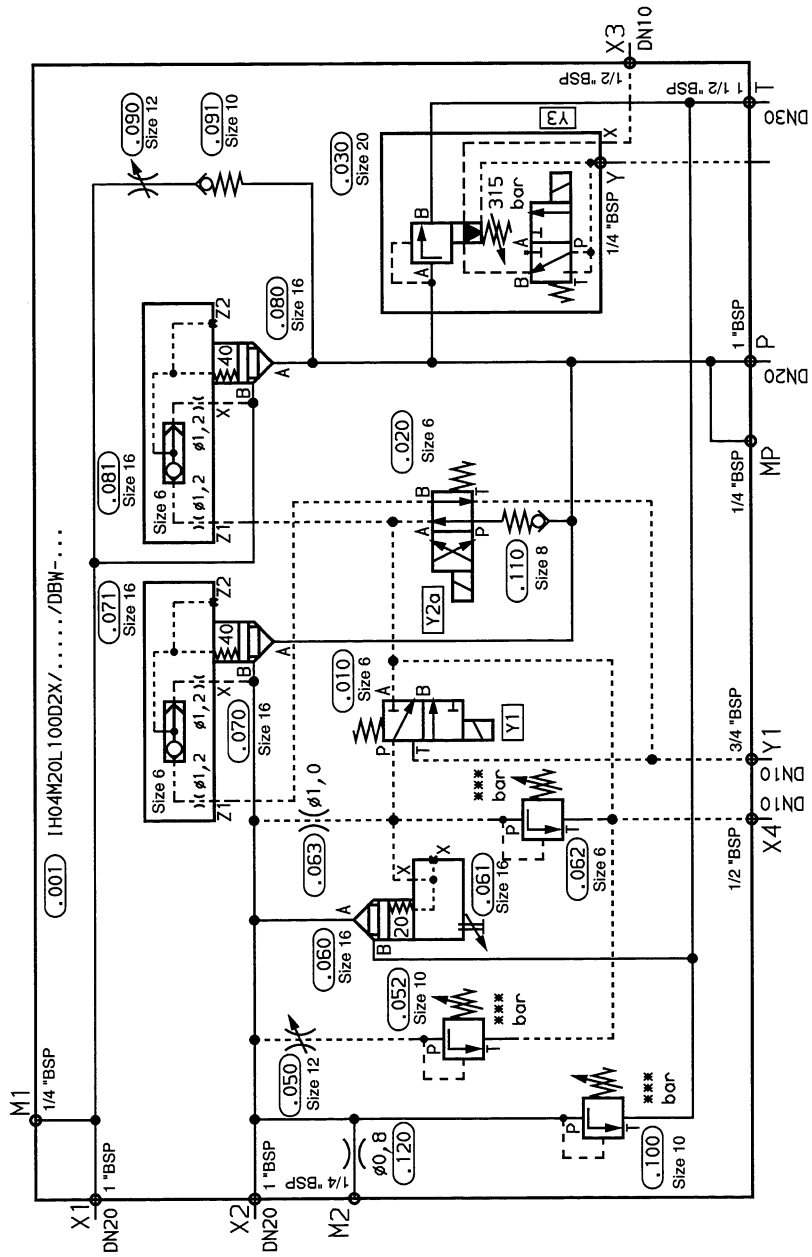
Return

Energising of solenoid Y3 and deenergising of Y2a. The pump delivers oil to the annulus chamber of the cylinder and the press lifts. The oil from the full bore of the cylinder flows via the prefill valve to tank.

Function diagram: Normal press cycle, modelL114D2X/

Description	Code	Item	State	Idle time	Set-up with own weight	Return	
Start two-hand control			Upper stroke limit Lower stroke limit				 Return
Rapid traverse valve	Solenoid Y1	.010					
Directional valve	Y2a	.020					
Pressure relief valve	Y3	.034					
Set up valve	Y1.2	.012					

Press module Size 20
Circuit type L
IHO4M20L100D2X/...../DBW-...



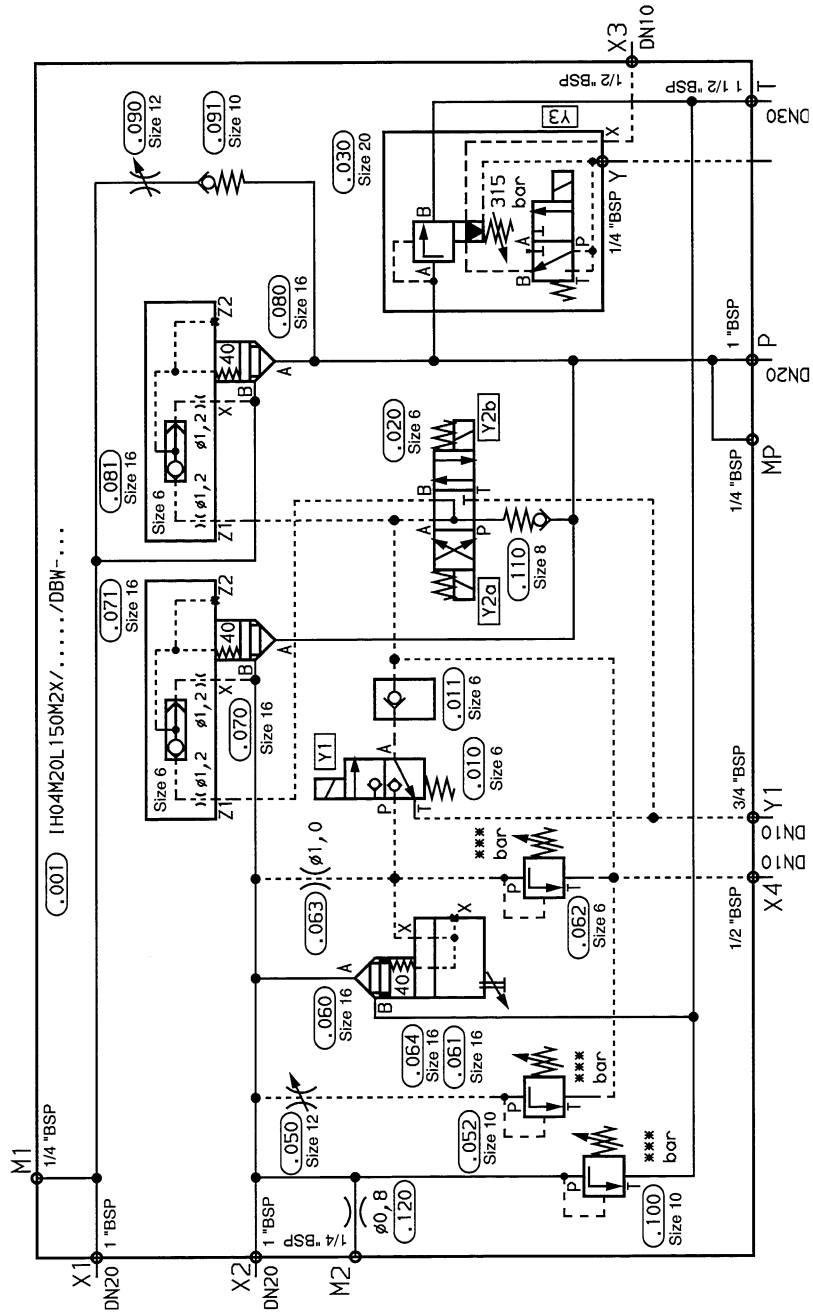
Press module, size 20
Circuit Type L
IH04M20L100D2X/...../DBW-..

Item	Qty	Description	Type	Further information
.010	1	Directional valve, size 6	3WE6B5X/	RE 23 177
.020	1	Directional valve, size 6	4WE6D5X/	RE 23 177
.030	1	Pressure relief valve, size 20	DBW20B..-5X/315XY....	RE 25 802
.050	1	Throttle valve, size 12	FL-DVE-12-1.1/P	
.052	1	Pressure relief valve, size 10	DBDS10K1X/100	RE 25 402
.060	1	2-way cartridge valve, size 16	LC16B20E6X/	RE 81 010
.061	1	Control cover, size 16	LFA16H2-6X/F	RE 81 010
.062	1	Pressure relief valve, size 6	DBDS6K1X/315	RE 25 402
.063	1	Orifice	10-M10x1	
.070	1	2-way cartridge valve, size 16	LC16B40E6X/	RE 81 010
.071	1	Control cover, size 16	LFA16G-6X/	RE 81 010
.080	1	2-way cartridge valve, size 16	LC16B40E6X/	RE 81 010
.081	1	Control cover, size 16	LFA16G-6X/	RE 81 010
.090	1	Throttle valve, size 12	FL-DVE12-1.0/P	
.091	1	Check valve, size 10	M-SR10KE05-1X/	RE 20 380
.100	1	Pressure relief valve, size 10	DBDS10K1X/315	RE 25 402
.110	1	Check valve, size 8	M-SR8KE05-1X/	RE 20 380
.120	1	Orifice	08-1/4" BSP	

Press module, size 20

Circuit Type L

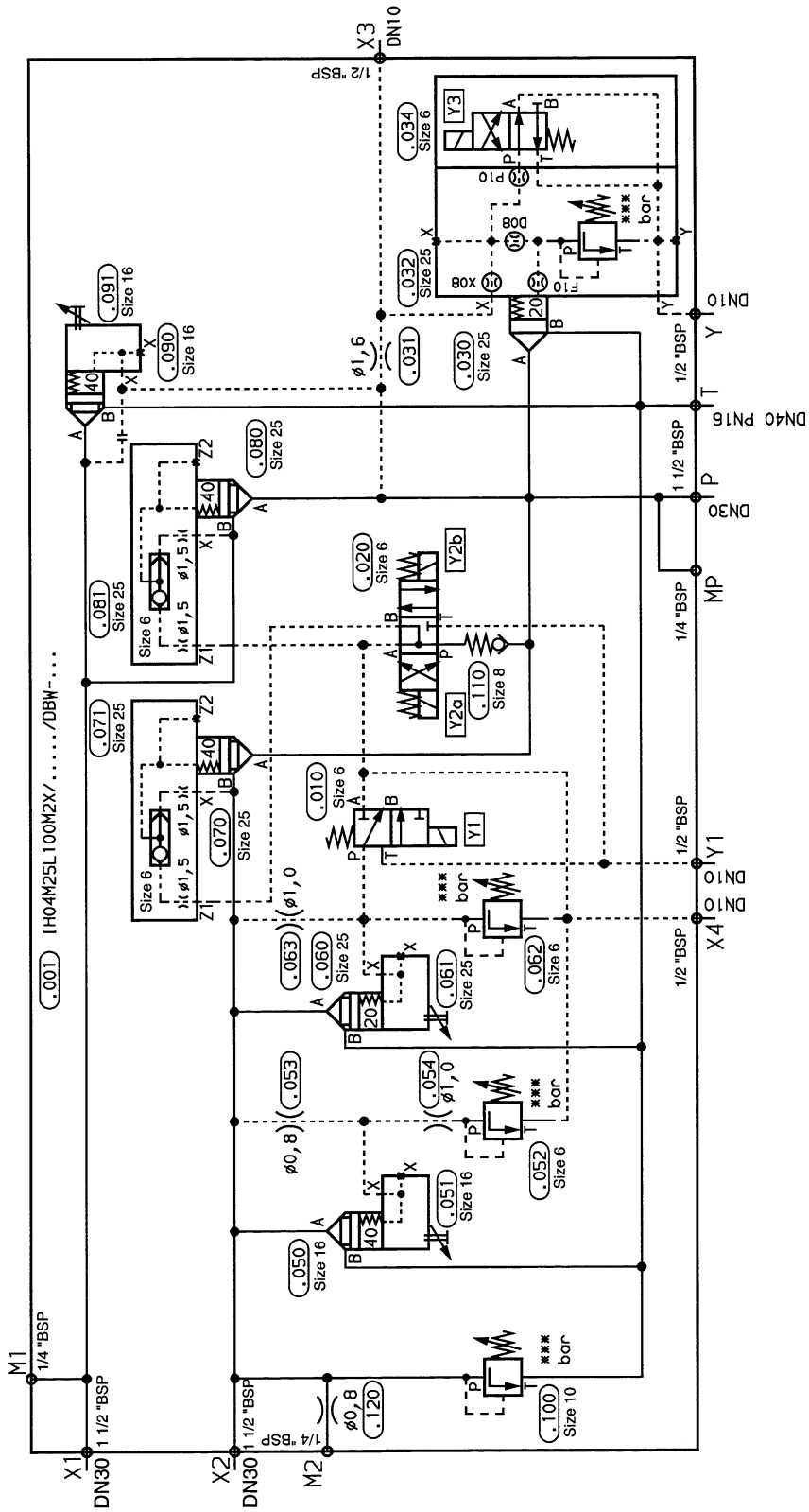
IH04M20L150M2X/...../DBW-...



Press module, size 20
Circuit Type L
IH04M20L150M2X/...../DBW-...

Item	Qty	Description	Type	Further information
.010	1	Directional poppet valve, size 6	M-3SEW6C2X/420L....S0125	RE 22 057
.011	1	Sandwich plate check valve, size 6	Z1S6C1-3X/V	RE 21 533
.020	1	Directional valve, size 6	4WE6M5X/....	RE 23 177
.030	1	Pressure relief valve, size 20	DBW20B...-5X/315XY...	RE 25 802
.050	1	Throttle valve, size 12	FL-DVE-12-1.1/P	
.052	1	Pressure relief valve, size 10	DBDS10K1X/100	RE 25 402
.060	1	2-way cartridge valve, size 16	LC16B40E6X/004	RE 81 010
.061	1	Control cover, size 16	LFA16H2-14-6X/F	RE 81 010
.062	1	Pressure relief valve, size 6	DBDS6K1X/315	RE 25 402
.063	1	Orifice	10-M10x1	
.064	1	Control cover, size 16	LFA16D19-6X/	RE 81 010
.070	1	2-way cartridge valve, size 16	LC16B40E6X/	RE 81 010
.071	1	Control cover, size 16	LFA16G-6X/	RE 81 010
.080	1	2-way cartridge valve, size 16	LC16B40E6X/	RE 81 010
.081	1	Control cover, size 16	LFA16G-6X/	RE 81 010
.090	1	Throttle valve, size 12	FL-DVE12-1.0/P	
.091	1	Check valve, size 10	M-SR10KE05-1X/	RE 20 380
.100	1	Pressure relief valve, size 10	DBDS10K1X/315	RE 25 402
.110	1	Check valve, size 8	M-SR8KE05-1X/	RE 20 380
.120	1	Orifice	08-1/4" BSP	

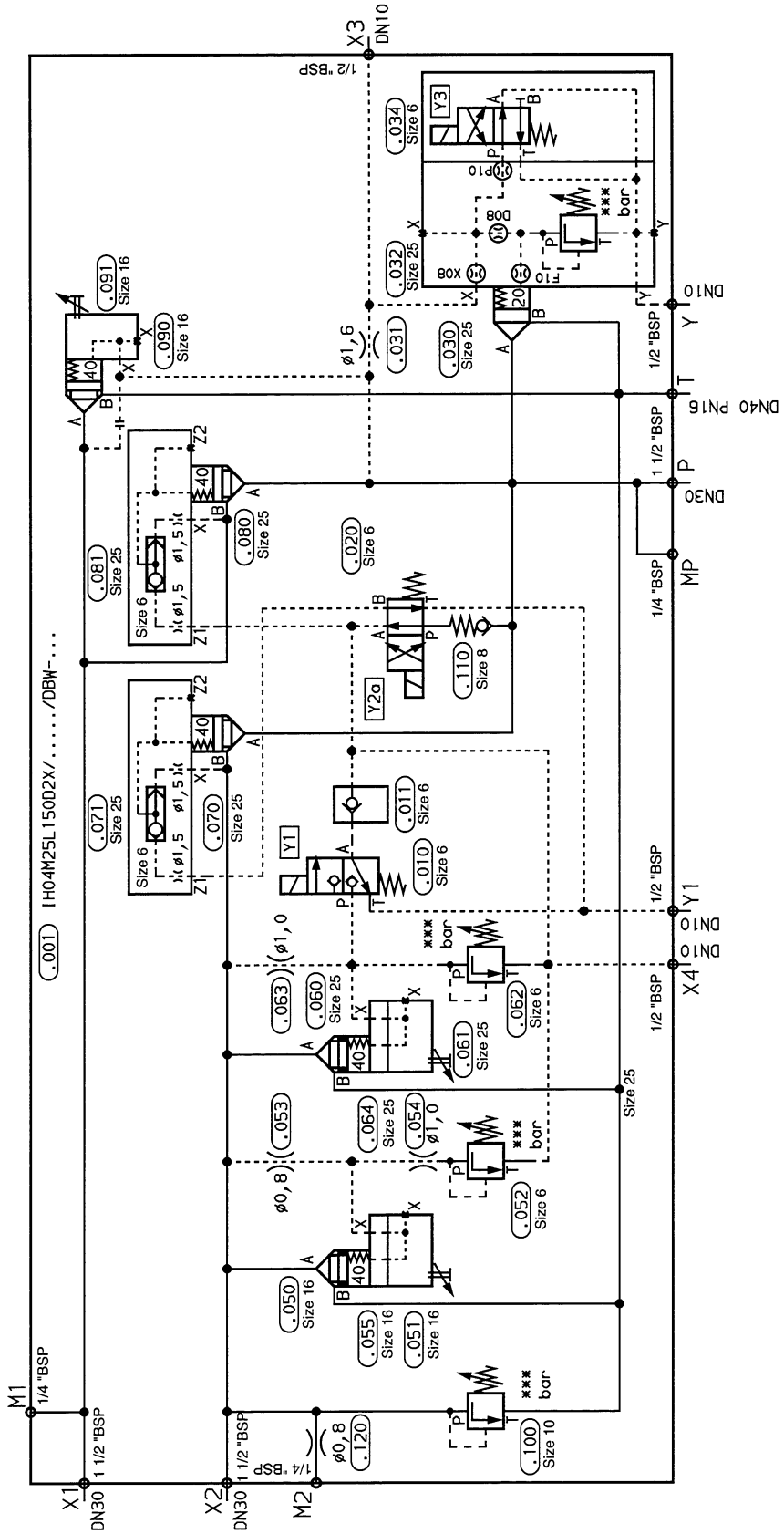
Press module, size 25
Circuit Type L
IH04M25L100M2X/...../DBW-...



Press module, size 25
Circuit Type L
IH04M25L100M2X/...../DBW-...

Item	Qty	Description	Type	Further information	
.010	1	Directional valve, size 6	3WE6B5X/...	RE 23 177	
.020	1	Directional valve, size 6	4WE6M5X/....	RE 23 177	
.030	1	2-way cartridge valve, size 25	LC25DB20..6X/	RE 81 078	
.031	1	Orifice	16-M10x25		
.032	1	Control cover, size 25	LFA25DBW2-6X/315	RE 81 078	
.034	1	Directional valve, size 6	4WE6D5X/....	RE 23 177	
.050	1	2-way cartridge valve, size 16	LC16B40E6X/	RE 81 010	
.051	1	Control cover, size 16	LFA16H2-6X/F	RE 81 010	
.052	1	Pressure relief valve, size 6	DBDS6K1X/100	RE 25 402	
.053	1	Orifice	08-M8x1K		
.054	1	Orifice	10-M8x1K		
.060	1	2-way cartridge valve, size 25	LC25B20E6X/	RE 81 010	
.061	1	Control cover, size 25	LFA25H2-6X/F	RE 81 010	
.062	1	Pressure relief valve, size 6	DBDS6K1X/315	RE 25 402	
.063	1	Orifice	10-M8x1K		
.070	1	2-way cartridge valve, size 25	LC25B40E6X/	RE 81 010	
.071	1	Control cover, size 25	LFA25G-6X/	RE 81 010	
.080	1	2-way cartridge valve, size 25	LC25B40E6X/	RE 81 010	
.081	1	Control cover, size 25	LFA25G-6X/	RE 81 010	
.090	1	2-way cartridge valve, size 16	LC16B40E6X/	RE 81 010	
.091	1	Control cover, size 16	LFA16H2-6X/F	RE 81 010	
.100	1	Pressure relief valve, size 10	DBDS10K1X/315	RE 25 402	
.110	1	Check valve, size 8	M-SR8KE05-1X/	RE 20 380	
.120	1	Orifice	08-1/4"BSP		
T	1	*Flange (*Not included in supply, please order separately !)	DN40PN16	TN 012 938	AB 22-15

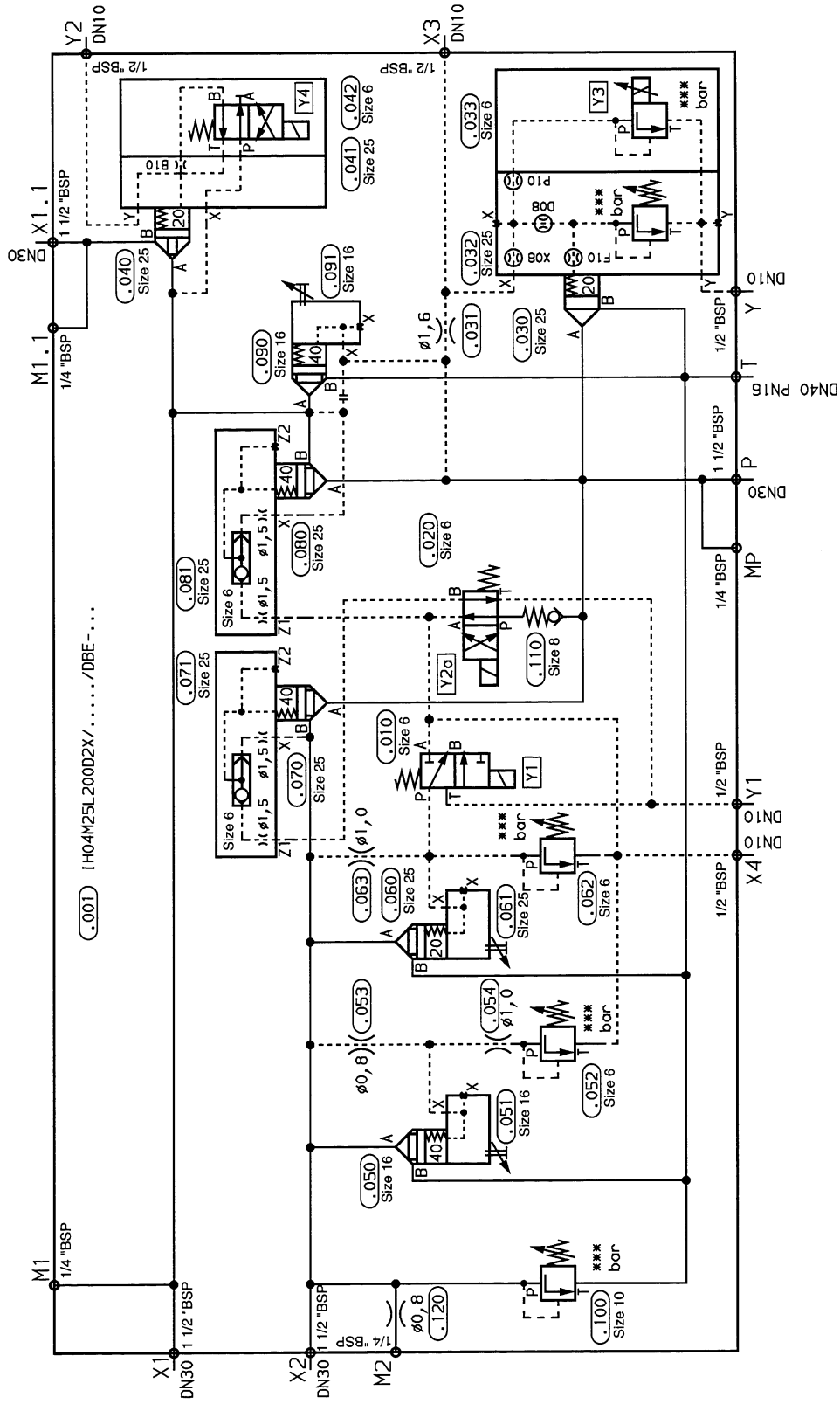
Press module, size 25
Circuit Type L
IH04M25L150D2X/...../DBW-...



Press module, size 25
Circuit Type L
IH04M25L150D2X/...../DBW-...

Item	Qty	Description	Type	Further information	
.010	1	Directional poppet valve, size 6	M-3SEW6C2X/420L...S0125	RE 22 057	
.011	1	Sandwich plate check valve, size 6	Z1S6C1-3X/V	RE 21 533	
.020	1	Directional valve, size 6	4WE6D5X/....	RE 23 177	
.030	1	2-way cartridge valve, size 25	LC25DB20..6X/	RE 81 078	
.031	1	Orifice	16-M10x25		
.032	1	Control cover, size 25	LFA25DBW2-6X/315	RE 81 078	
.034	1	Directional valve, size 6	4WE6D5X/....	RE 23 177	
.050	1	2-way cartridge valve, size 16	LC16B40E6X/004	RE 81 010	
.051	1	Control cover, size 16	LFA16H2-14-6X/F	RE 81 010	
.052	1	Pressure relief valve, size 6	DBDS6K1X/100	RE 25 402	
.053	1	Orifice	08-M8x1K		
.054	1	Orifice	10-M8x1K		
.055	1	Control cover, size 16	LFA16D19-6X	RE 81 010	
.060	1	2-way cartridge valve, size 25	LC25B40E6X/004	RE 81 010	
.061	1	Control cover, size 25	LFA25H2-14-6X/F	RE 81 010	
.062	1	Pressure relief valve, size 6	DBDS6K1X/315	RE 25 402	
.063	1	Orifice	10-M8x1K		
.064	1	Control cover, size 25	LFA25D19-6X/	RE 81 010	
.070	1	2-way cartridge valve, size 25	LC25B40E6X/	RE 81 010	
.071	1	Control cover, size 25	LFA25G-6X/	RE 81 010	
.080	1	2-way cartridge valve, size 25	LC25B40E6X/	RE 81010	
.081	1	Control cover, size 25	LFA25G-6X/	RE 81 010	
.090	1	2-way cartridge valve, size 16	LC16B40E6X/	RE 81 010	
.091	1	Control cover, size 16	LFA16H2-6X/F	RE 81 010	
.100	1	Pressure relief valve, size 10	DBDS10K1X/315	RE 25 402	
.110	1	Check valve, size 8	M-SR8KE05-1X/	RE 20 380	
.120	1	Orifice	08-1/4" BSP		
T	1	*Flange (*Not included in supply, please order separately !)	DN40PN16	TN 012 938	AB 22-15

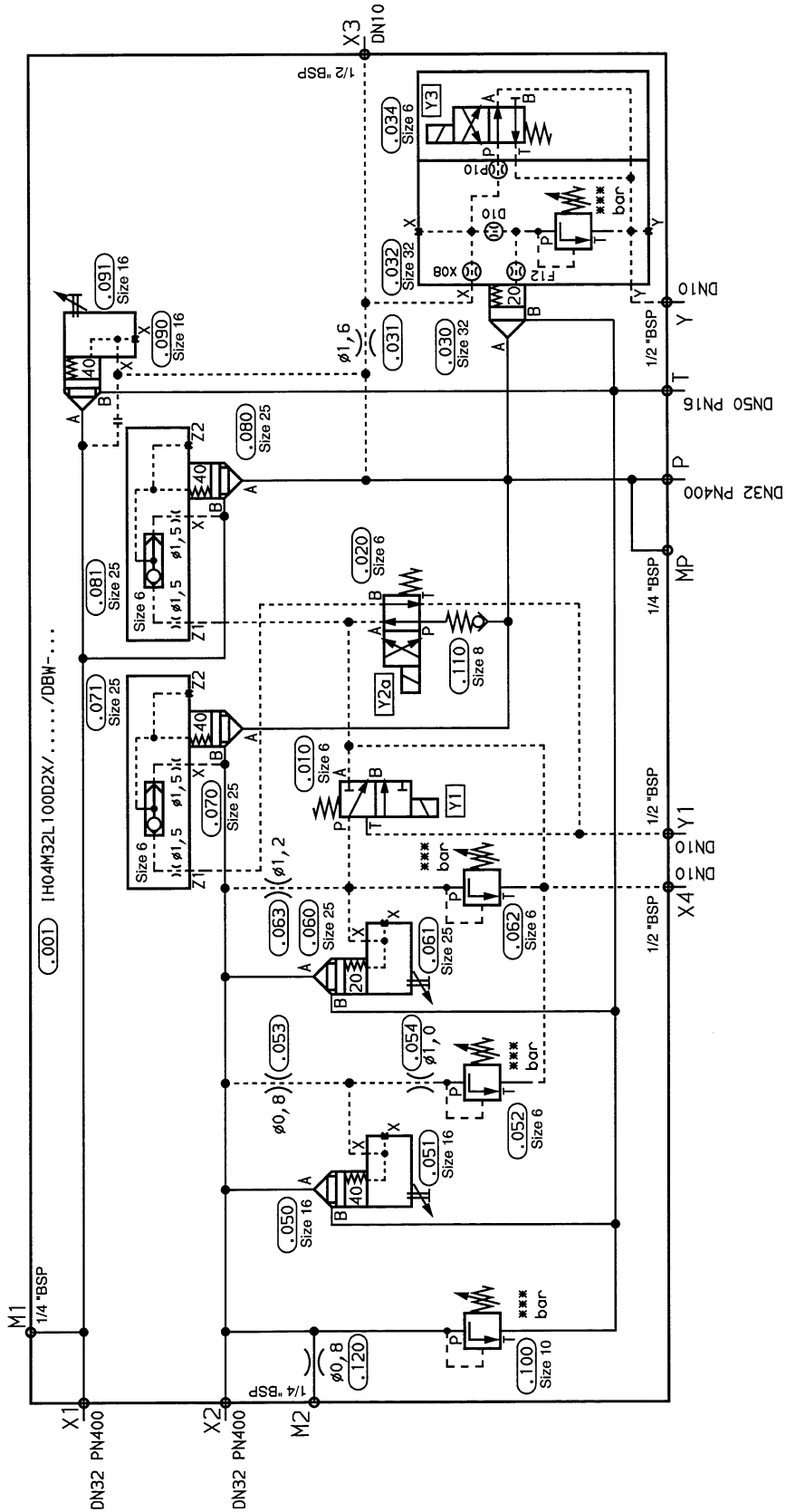
Press module, size 25
Circuit Type L
IH04M25L200D2X/...../DBE-...



Press module, size 25
Circuit Type L
IH04M25L200D2X/...../DBE-...

Item	Qty	Description	Type	Further information
.010	1	Directional valve, size 6	3WE6B5X/...	RE 23 177
.020	1	Directional valve, size 6	4WE6D5X/....	RE 23 177
.030	1	2-way cartridge valve, size 25	LC25DB20..6X/	RE 81 078
.031	1	Orifice	16-M10x25	
.032	1	Control cover, size 25	LFA25DBEM-6X/315	RE 81 078
.033	1	Pressure relief valve, size 6	DBET-5X/315G24-1	RE 29 165
.040	1	2-way cartridge valve, size 25	LC25A20E6X/	RE 81 010
.041	1	Control cover, size 25	LFA25WEB-6X/B10	RE 81 010
.042	1	Directional valve, size 6	4WE6D5X/...	RE 23 177
.050	1	2-way cartridge valve, size 16	LC16B40E6X/	RE 81 010
.051	1	Control cover, size 16	LFA16H2-6X/F	RE 81 010
.052	1	Pressure relief valve, size 6	DBDS6K1X/100	RE 25 402
.053	1	Orifice	08-M8x1K	
.054	1	Orifice	10-M8x1K	
.060	1	2-way cartridge valve, size 25	LC25B20E6X/	RE 81 010
.061	1	Control cover, size 25	LFA25H2-6X/F	RE 81 010
.062	1	Pressure relief valve, size 6	DBDS6K1X/315	RE 25 402
.063	1	Orifice	10-M8x1K	
.070	1	2-way cartridge valve, size 25	LC25B40E6X/	RE 81 010
.071	1	Control cover, size 25	LFA25G-6X/	RE 81 010
.080	1	2-way cartridge valve, size 25	LC25B40E6X/	RE 81 010
.081	1	Control cover, size 25	LFA25G-6X/	RE 81 010
.090	1	2-way cartridge valve, size 16	LC16B40E6X/	RE 81 010
.091	1	Control cover, size 16	LFA16H2-6X/F	RE 81 010
.100	1	Pressure relief valve, size 10	DBDS10K1X/315	RE 25 402
.110	1	Check valve, size 8	M-SR8KE05-1X/	RE 20 380
.120	1	Orifice	08-1/4" BSP	
T	1	*Flange (*Not included in supply, please order separately !)	DN40PN16	TN 012 938 AB 22-15

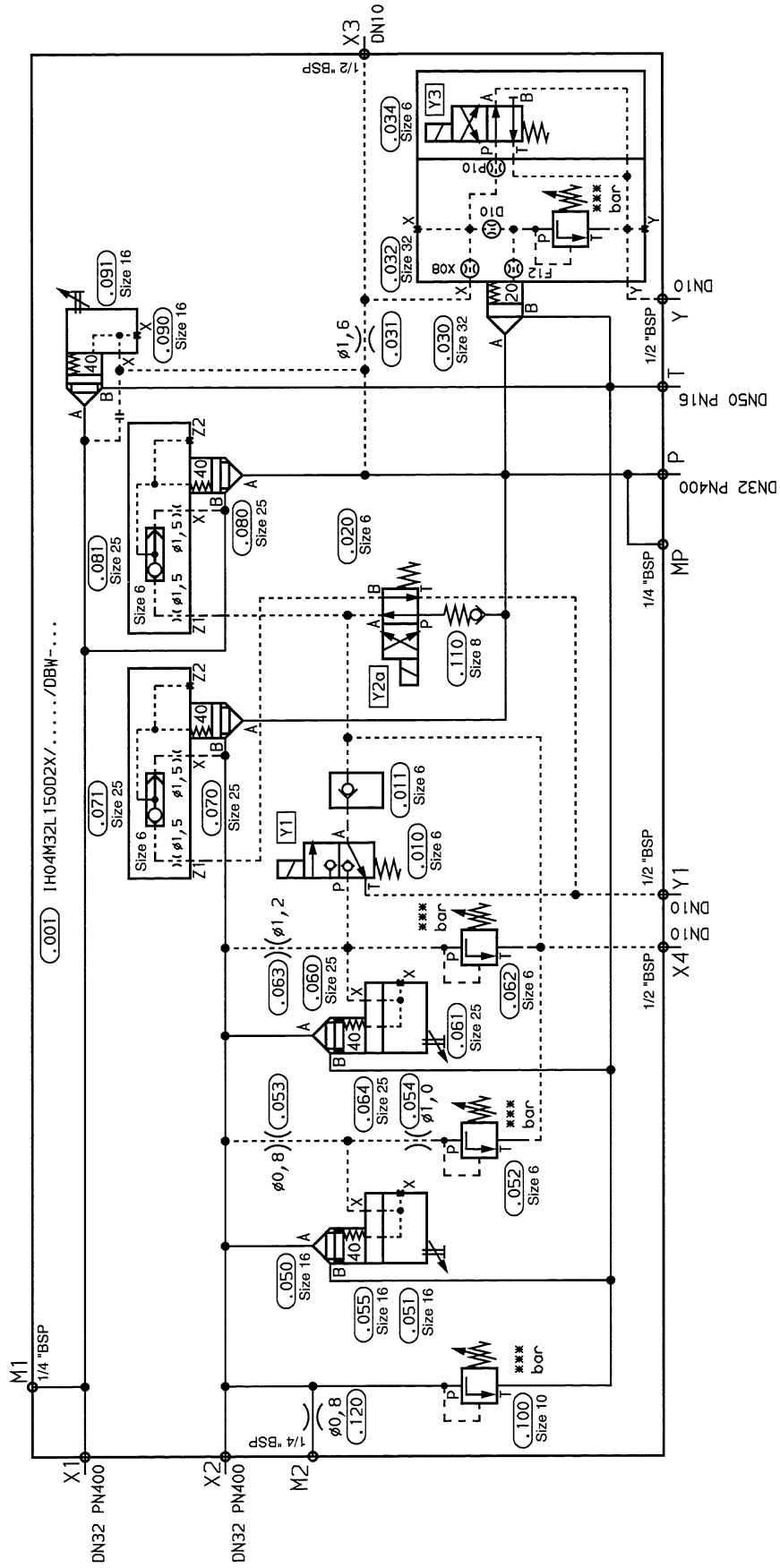
Press module, size 32
Circuit Type L
IH04M32L100D2X/.../DBW-...



Press module, size 32
Circuit Type L
IH04M32L100D2X/...../DBW-...

Item	Qty	Description	Type	Further information	
.010	1	Directional valve, size 6	3WE6B5X/...	RE 23 177	
.020	1	Directional valve, size 6	4WE6D5X/....	RE 23 177	
.030	1	2-way cartridge valve, size 32	LC32DB20..6X/	RE 81 078	
.031	1	Orifice	16-M10x25		
.032	1	Control cover, size 32	LFA32DBW2-6X/315	RE 81 078	
.034	1	Directional valve, size 6	4WE6D5X/....	RE 23 177	
.050	1	2-way cartridge valve, size 16	LC16B40E6X/	RE 81 010	
.051	1	Control cover, size 16	LFA16H2-6X/F	RE 81 010	
.052	1	Pressure relief valve, size 6	DBDS6K1X/100	RE 25 402	
.053	1	Orifice	08-M8x1K		
.054	1	Orifice	10-M8x1K		
.060	1	2-way cartridge valve, size 25	LC25B20E6X/	RE 81 010	
.061	1	Control cover, size 25	LFA25H2-6X/F	RE 81 010	
.062	1	Pressure relief valve, size 6	DBDS6K1X/315	RE 25 402	
.063	1	Orifice	12-M8x1K		
.070	1	2-way cartridge valve, size 25	LC25B40E6X/	RE 81 010	
.071	1	Control cover, size 25	LFA25G-6X/	RE 81 010	
.080	1	2-way cartridge valve, size 25	LC25B40E6X/	RE 81 010	
.081	1	Control cover, size 25	LFA25G-6X/	RE 81 010	
.090	1	2-way cartridge valve, size 16	LC16B40E6X/	RE 81 010	
.091	1	Control cover, size 16	LFA16H2-6X/F	RE 81 010	
.100	1	Pressure relief valve, size 10	DBDS10K1X/315	RE 25 402	
.110	1	Check valve, size 8	M-SR8KE05-1X/	RE 20 380	
.120	1	Orifice	08-1/4" BSP		
X1, X2, P	3	*Flange	DN32PN400	TN 013 772	
T	1	*Flange	DN50PN16	TN 012 939	AB 22-15
(*Not included in supply, please order separately !)					

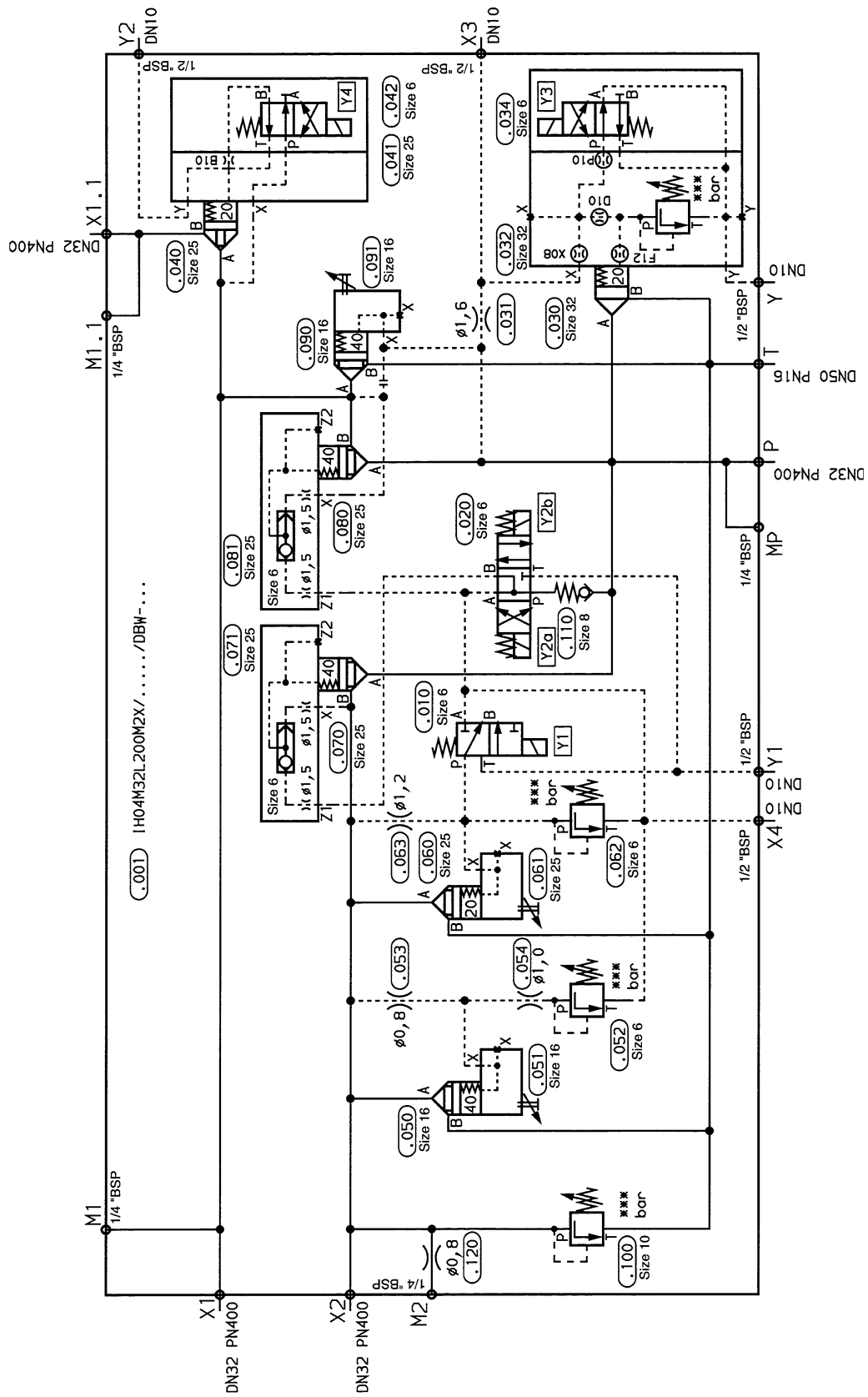
Press module, size 32
Circuit Type L
IH04M32L150D2X/...../DBW-...



Press module, size 32
Circuit Type L
IH04M32L150D2X/..../DBW-...

Item	Qty	Description	Type	Further information
.010	1	Directional poppet valve, size 6	M-3SEW6C2X/420L.....S0125	RE 22 057
.011	1	Sandwich plate check valve, size 6	Z1S6C1-3X/V	RE 21 533
.020	1	Directional valve, size 6	4WE6D5X/....	RE 23 177
.030	1	2-way cartridge valve, size 32	LC32DB20..6X/	RE 81 087
.031	1	Orifice	16-M10x25	
.032	1	Control cover, size 32	LFA32DBW2-6X/315	RE 81 078
.034	1	Directional valve, size 6	4WE6D5X/....	RE 23 177
.050	1	2-way cartridge valve, size 16	LC16B40E6X/-004	RE 81 010
.051	1	Control cover, size 16	LFA16H2-14-6X/	RE 81 010
.052	1	Pressure relief valve, size 6	DBDS6K1X/100	RE 25 402
.053	1	Orifice	08-M8x1K	
.054	1	Orifice	10-M8x1K	
.055	1	Control cover, size 16	LFA16D19-6X/	RE 81 010
.060	1	2-way cartridge valve, size 25	LC25B40E6X/-004	RE 81 010
.061	1	Control cover, size 25	LFA25H2-14-6X/	RE 81 010
.062	1	Pressure relief valve, size 6	DBDS6K1X/315	RE 25 402
.063	1	Orifice	12-M8x1K	
.064	1	Control cover, size 25	LFA25D19-6X/	RE 81 010
.070	1	2-way cartridge valve, size 25	LC25B40E6X/	RE 81 010
.071	1	Control cover, size 25	LFA25G-6X/	RE 81 010
.080	1	2-way cartridge valve, size 25	LC25B40E6X/	RE 81 010
.081	1	Control cover, size 25	LFA25G-6X/	RE 81 010
.090	1	2-way cartridge valve, size 16	LC16B40E6X/	RE 81 010
.091	1	Control cover, size 16	LFA16H2-6X/F	RE 81 010
.100	1	Pressure relief valve, size 10	DBDS10K1X/315	RE 25 402
.110	1	Check valve, size 8	M-SR8KE05-1X/	RE 20 380
.120	1	Orifice	08-1/4" BSP	
X1, X2, P	3	*Flange	DN32PN400	TN 013 772
T	1	*Flange	DN50PN16	TN 012 939
(*Not included in supply, please order separately !)				

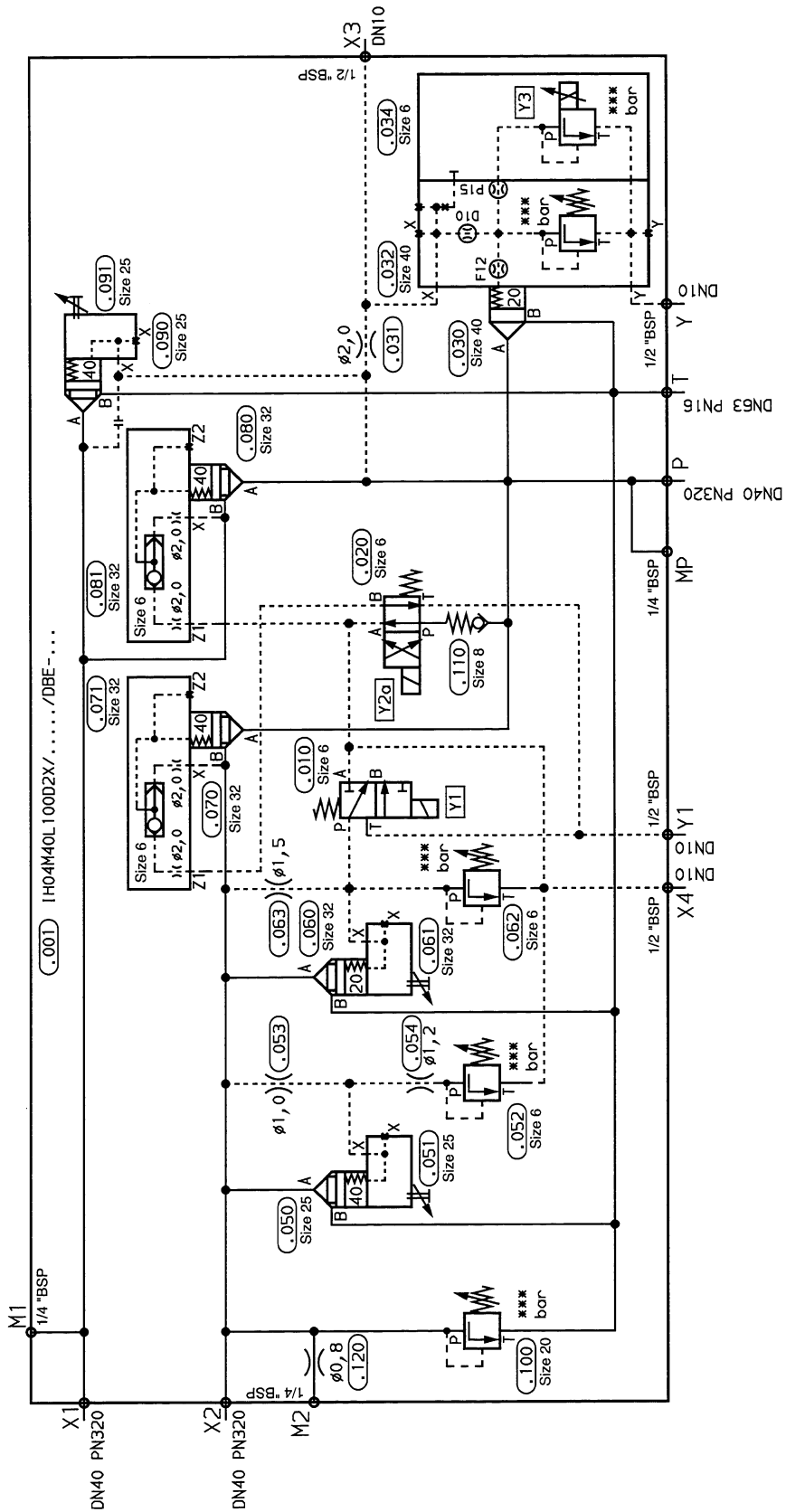
Press module, size 32
Circuit Type L
IH04M32L200M2X/.../DBW-...



Press module, size 32
Circuit Type L
IH04M32L200M2X/...../DBW-...

Item	Qty	Description	Type	Further information
.010	1	Directional valve, size 6	3WE6B5X/...	RE 23 177
.020	1	Directional valve, size 6	4WE6M5X/....	RE 23 177
.030	1	2-way cartridge valve, size 32	LC32DB20..6X/	RE 81 078
.031	1	Orifice	16-M10x25	
.032	1	Control cover, size 32	LFA32DBW2-6X/315	RE 81 078
.034	1	Directional valve, size 6	4WE6D5X/....	RE 23 177
.040	1	2-way cartridge valve, size 25	LC25A20E6X/	RE 81 010
.041	1	Control cover, size 25	LFA25WEB-6X/B10	RE 81 010
.042	1	Directional valve, size 6	4WE6D5X/...	RE 23 177
.050	1	2-way cartridge valve, size 16	LC16B40E6X/	RE 81 010
.051	1	Control cover, size 16	LFA16H2-6X/F	RE 81 010
.052	1	Pressure relief valve, size 6	DBDS6K1X/100	RE 25 402
.053	1	Orifice	08-M8x1K	
.054	1	Orifice	10-M8x1K	
.060	1	2-way cartridge valve, size 25	LC25B20E6X/	RE 81 010
.061	1	Control cover, size 25	LFA25H2-6X/F	RE 81 010
.062	1	Pressure relief valve, size 6	DBDS6K1X/315	RE 25 402
.063	1	Orifice	12-M8x1K	
.070	1	2-way cartridge valve, size 25	LC25B40E6X/	RE 81 010
.071	1	Control cover, size 25	LFA25G-6X/	RE 81 010
.080	1	2-way cartridge valve, size 25	LC25B40E6X/	RE 81 010
.081	1	Control cover, size 25	LFA25G-6X/	RE 81 010
.090	1	2-way cartridge valve, size 16	LC16B40F6X/	RE 81 010
.091	1	Control cover, size 16	LFA16H2-6X/F	RE 81 010
.100	1	Pressure relief valve, size 10	DBDS10K1X/315	RE 25 402
.110	1	Check valve, size 8	M-SR8KE05-1X/	RE 20 380
.120	1	Orifice	08-1/4" BSP	
X1,X1.1	2	*Flange	DN32PN400	TN 013 772
X2, P	2	*Flange	DN32PN400	TN 013 772
T	1	*Flange	DN50PN16	TN 012 939
(*Not included in supply, please order separately !)				

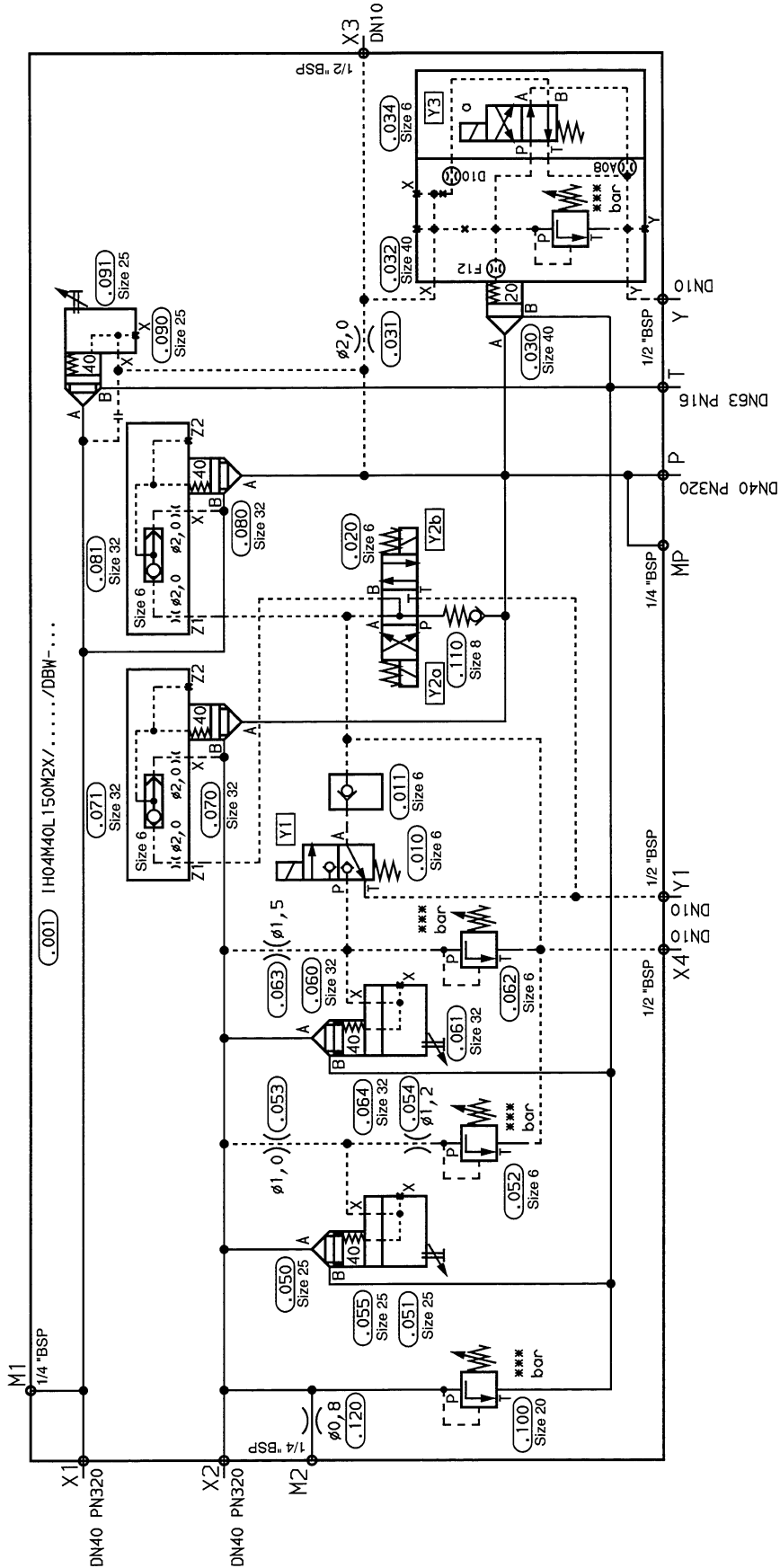
Press module, size 40
Circuit Type L
IH04M40L100D2X/.../DBE-...



Press module, size 40
Circuit Type L
IH04M40L100D2X/...../DBE-...

Item	Qty	Description	Type	Further information	
.010	1	Directional valve, size 6	3WE6B5X/...	RE 23 177	
.020	1	Directional valve, size 6	4WE6D5X/....	RE 23 177	
.030	1	2-way cartridge valve, size 40	LC40DB20..6X/	RE 81 078	
.031	1	Orifice	20-M10x25		
.032	1	Control cover, size 40	LFA40DBEM-6X/315	RE 81 078	
.034	1	Pressure relief valve, size 6	DBET-5X/315G24	RE 29 165	
.050	1	2-way cartridge valve, size 25	LC25B40E6X/	RE 81 010	
.051	1	Control cover, size 25	LFA25H2-6X/F	RE 81 010	
.052	1	Pressure relief valve, size 6	DBDS6K1X/100	RE 25 402	
.053	1	Orifice	10-M8x1K		
.054	1	Orifice	12-M8x1K		
.060	1	2-way cartridge valve, size 32	LC32B20E6X/	RE 81 010	
.061	1	Control cover, size 32	LFA32H2-6X/F	RE 81 010	
.062	1	Pressure relief valve, size 6	DBDS6K1X/315	RE 25 402	
.063	1	Orifice	15-M8x1K		
.070	1	2-way cartridge valve, size 32	LC32B40E6X/	RE 81 010	
.071	1	Control cover, size 32	LFA32G-6X/	RE 81 010	
.080	1	2-way cartridge valve, size 32	LC32B40E6X/	RE 81 010	
.081	1	Control cover, size 32	LFA32G-6X/	RE 81 010	
.090	1	2-way cartridge valve, size 25	LC25B40E6X/	RE 81 010	
.091	1	Control cover, size 25	LFA25H2-6X/F	RE 81 010	
.100	1	Pressure relief valve, size 20	DBDS20K1X/315	RE 25 402	
.110	1	Check valve, size 8	M-SR8KE05-1X/	RE 20 380	
.120	1	Orifice	08-1/4"BSP		
X1, X2, P	3	*Flange	DN40PN320	TN 303 921	RE 45 501
T	1	*Flange	DN63PN16	TN 012 336	AB 22-15
(*Not included in supply, please order separately !)					

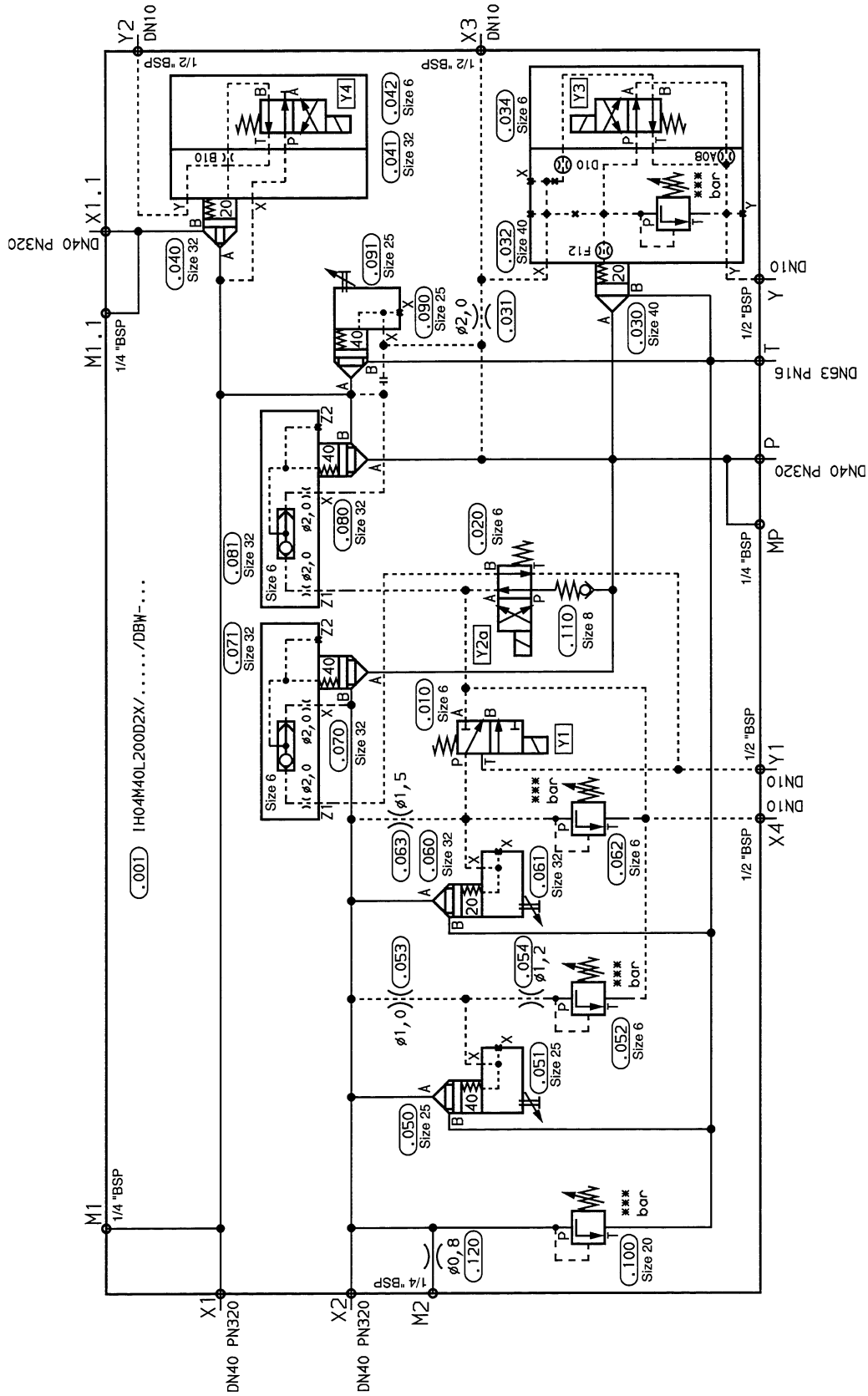
Press module, size 40
Circuit Type L
IH04M40L150M2X/...../DBW-...



Press module, size 40
Circuit Type L
IH04M40L150M2X/...../DBW-...

Item	Qty	Description	Type	Further information	
.010	1	Directional poppet valve, size 6	M-3SEW6C2X/420L....S0125	RE 22 057	
.011	1	Sandwich plate check valve, size 6	Z1S6C1-3X/V	RE 21 533	
.020	1	Directional valve, size 6	4WE6M5X/....	RE 23 177	
.030	1	2-way cartridge valve, size 40	LC40DB20..6X/	RE 81 078	
.031	1	Orifice	20-M10x25		
.032	1	Control cover, size 40	LFA40DBW2-6X/315	RE 81 078	
.034	1	Directional valve, size 6	4WE6D5X/....	RE 23 177	
.050	1	2-way cartridge valve, size 25	LC25B40E6X/-004	RE 81 010	
.051	1	Control cover, size 25	LFA25H2-14-6X/F	RE 81 010	
.052	1	Pressure relief valve, size 6	DBDS6K1X/100	RE 25 402	
.053	1	Orifice	10-M8x1K		
.054	1	Orifice	12-M8x1K		
.055	1	Control cover, size 25	LFA25D19-6X/	RE 81 010	
.060	1	2-way cartridge valve, size 32	LC32B40E6X/-004	RE 81 010	
.061	1	Control cover, size 32	LFA32H2-14-6X/F	RE 81 010	
.062	1	Pressure relief valve, size 6	DBDS6K1X/315	RE 25 402	
.063	1	Orifice	15-M8x1K		
.064	1	Control cover, size 32	LFA32D19-6X/	RE 81 010	
.070	1	2-way cartridge valve, size 32	LC32B40E6X/	RE 81 010	
.071	1	Control cover, size 32	LFA32G-6X/	RE 81 010	
.080	1	2-way cartridge valve, size 32	LC32B40E6X/	RE 81 010	
.081	1	Control cover, size 32	LFA32G-6X/	RE 81 010	
.090	1	2-way cartridge valve, size 25	LC25B40E6X/	RE 81 010	
.091	1	Control cover, size 25	LFA25H2-6X/F	RE 81 010	
.100	1	Pressure relief valve, size 20	DBDS20K1X/315	RE 25 402	
.110	1	Check valve, size 8	M-SR8KE05-1X/	RE 20 380	
.120	1	Orifice	08-1/4"BSP		
X1, X2, P	3	*Flange	DN40PN320	TN 303 921	RE 45 501
T	1	*Flange	DN63PN16	TN 012 336	AB 22-15
(*Not included in supply, please order separately !)					

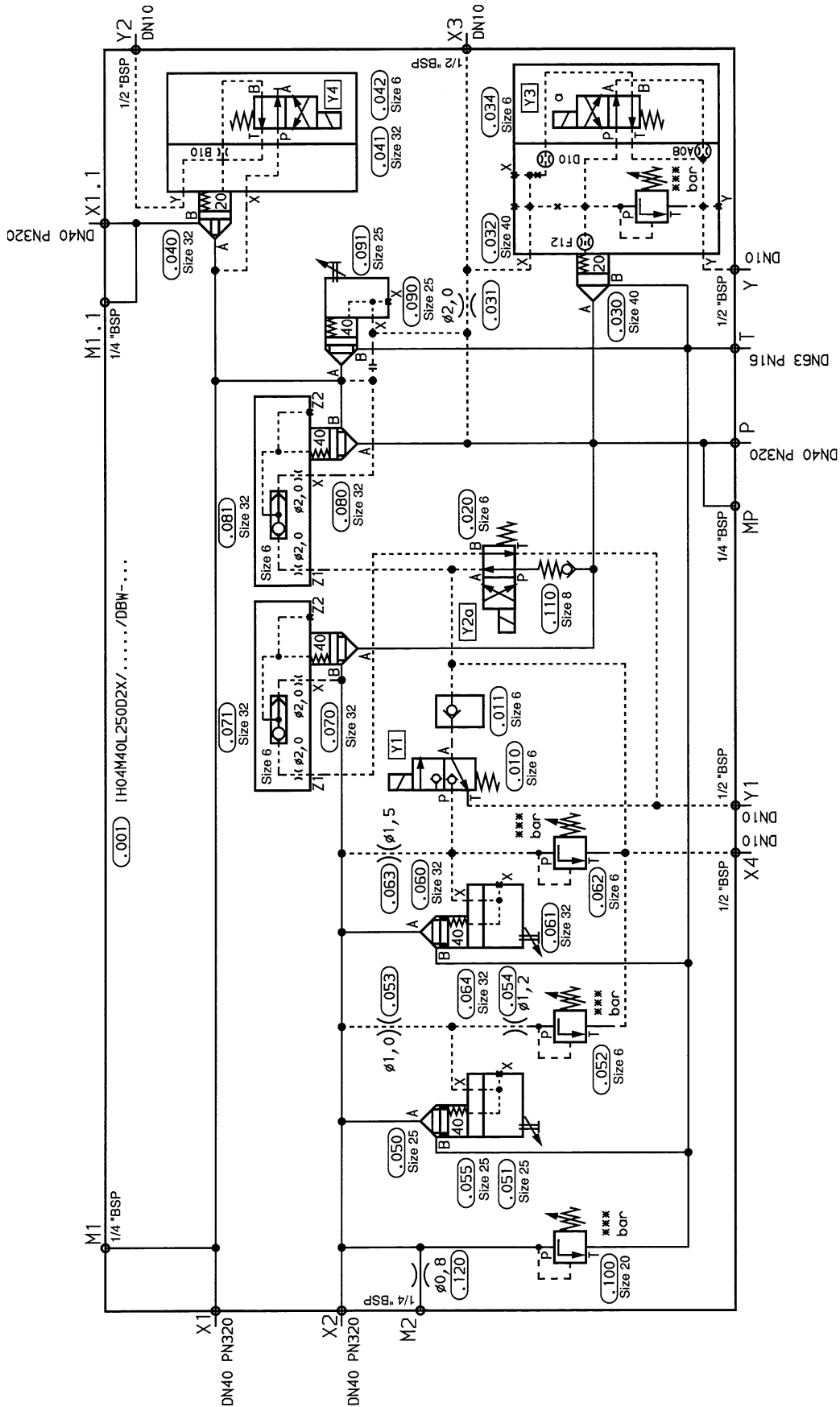
Press module, size 40
Circuit Type L
IH04M40L200D2X/.../DBW-....



Press module, size 40
Circuit Type L
IH04M40L200D2X/...../DBW-...

Item	Qty	Description	Type	Further information
.010	1	Directional valve, size 6	3WE6B5X/...	RE 23 177
.020	1	Directional valve, size 6	4WE6D5X/....	RE 23 177
.030	1	2-way cartridge valve, size 40	LC40DB20..6X/	RE 81 078
.031	1	Orifice	20-M10x25	
.032	1	Control cover, size 40	LFA40DBW2-6X/315	RE 81 078
.034	1	Directional valve, size 6	4WE6D5X/....	RE 23 177
.040	1	2-way cartridge valve, size 32	LC32A20E6X/	RE 81 010
.041	1	Control cover, size 32	LFA32WEB-6X/B10	RE 81 010
.042	1	Directional valve, size 6	4WE6D5X/....	RE 23 177
.050	1	2-way cartridge valve, size 25	LC25B40E6X/	RE 81 010
.051	1	Control cover, size 25	LFA25H2-6X/F	RE 81 010
.052	1	Pressure relief valve, size 6	DBDS6K1X/100	RE 25 402
.053	1	Orifice	10-M8x1K	
.054	1	Orifice	12-M8x1K	
.060	1	2-way cartridge valve, size 32	LC32B20E6X/	RE 81 010
.061	1	Control cover, size 32	LFA32H2-6X/F	RE 81 010
.062	1	Pressure relief valve, size 6	DBDS6K1X/315	RE 25 402
.063	1	Orifice	15-M8x1X	
.070	1	2-way cartridge valve, size 32	LC32B40E6X/	RE 81 010
.071	1	Control cover, size 32	LFA32G-6X/	RE 81 010
.080	1	2-way cartridge valve, size 32	LC32B40E6X/	RE 81 010
.081	1	Control cover, size 32	LFA32G-6X/	RE 81 010
.090	1	2-way cartridge valve, size 25	LC25B40E6X/	RE 81 010
.091	1	Control cover, size 25	LFA25H2-6X/F	RE 81 010
.100	1	Pressure relief valve, size 20	DBDS20K1X/315	RE 25 402
.110	1	Check valve, size 8	M-SR8KE05-1X/	RE 20 380
.120	1	Orifice	08-1/4"BSP	
X1,X1.1	2	*Flange	DN40PN320	TN 303 921 RE 45 501
X2, P	2	*Flange	DN40PN320	TN 303 921 RE 45 501
T	1	*Flange	DN63PN16	TN 012 336 AB 22-15
(*Not included in supply, please order separately !)				

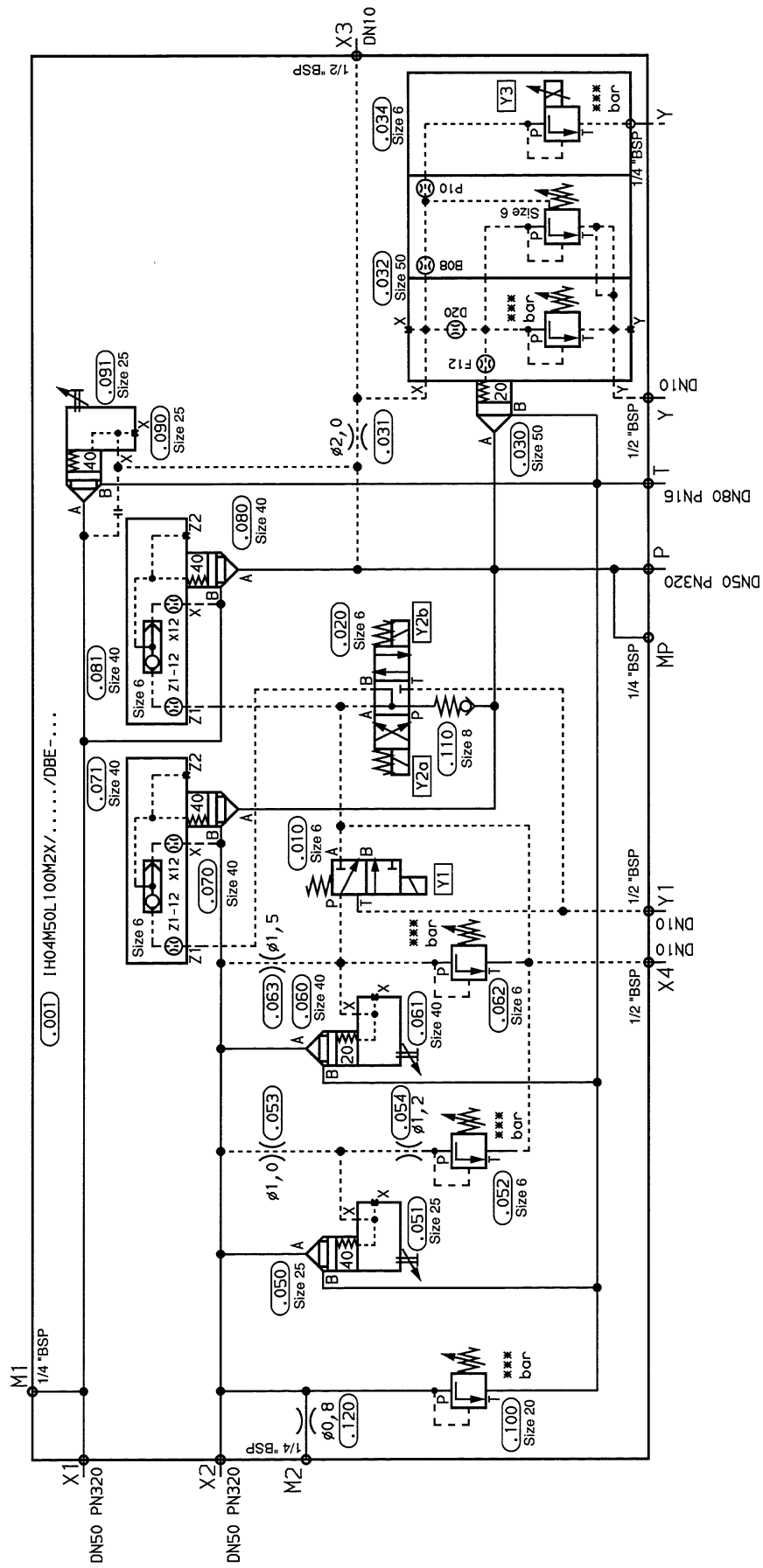
Press module, size 40 Circuit Type L IH04M40L250D2X/...../DBW-...



Press module, size 40
Circuit Type L
IH04M40L250D2X/...../DBW-...

Item	Qty	Description	Type	Further information	
.010	1	Directional poppet valve, size 6	M-3SEW6C2X/420L....S0125	RE 22 057	
.011	1	Sandwich plate check valve, size 6	Z1S6C1-3X/V	RE 21 533	
.020	1	Directional valve, size 6	4WE6D5X/....	RE 23 177	
.030	1	2-way cartridge valve, size 40	LC40DB20..6X/	RE 81 078	
.031	1	Orifice	20-M10x25		
.032	1	Control cover, size 40	LFA40DBW2-6X/315	RE 81 078	
.034	1	Directional valve, size 6	4WE6D5X/....	RE 23 177	
.040	1	2-way cartridge valve, size 32	LC32A20E6X/	RE 81 010	
.041	1	Control cover, size 32	LFA32WEB-6X/B10	RE 81 010	
.042	1	Directional valve, size 6	4WE6D5X/....	RE 23 177	
.050	1	2-way cartridge valve, size 25	LC25B40E6X/004	RE 81 010	
.051	1	Control cover, size 25	LFA25H2-14-6X/F	RE 81 010	
.052	1	Pressure relief valve, size 6	DBDS6K1X/100	RE 25 402	
.053	1	Orifice	10-M8x1K		
.054	1	Orifice	12-M8x1K		
.055	1	Control cover, size 25	LFA25D19-6X/	RE 81 010	
.060	1	2-way cartridge valve, size 32	LC32B40E6X/004	RE 81 010	
.061	1	Control cover, size 32	LFA32H2-14-6X/F	RE 81 010	
.062	1	Pressure relief valve, size 6	DBDS6K1X/315	RE 25 402	
.063	1	Orifice	15-M8x1K		
.064	1	Control cover, size 32	LFA32D19-6X/	RE 81 010	
.070	1	2-way cartridge valve, size 32	LC32B40E6X/	RE 81 010	
.071	1	Control cover, size 32	LFA32G-6X/	RE 81 010	
.080	1	2-way cartridge valve, size 32	LC32B40E6X/	RE 81 010	
.081	1	Control cover, size 32	LFA32G-6X/	RE 81 010	
.090	1	2-way cartridge valve, size 25	LC25B40E6X/	RE 81 010	
.091	1	Control cover, size 25	LFA25H2-6X/F	RE 81 010	
.100	1	Pressure relief valve, size 20	DBDS20K1X/315	RE 25 402	
.110	1	Check valve, size 8	M-SR8KE05-1X/	RE 20 380	
.120	1	Orifice	08-1/4"BSP		
X1,X1.1	2	*Flange	DN40PN320	TN 303 921	RE 45 501
X2, P	2	*Flange	DN40PN320	TN 303 921	RE 45 501
T	1	*Flange	DN63PN16	TN 012 336	AB 22-15
(*Not included in supply, please order separately !)					

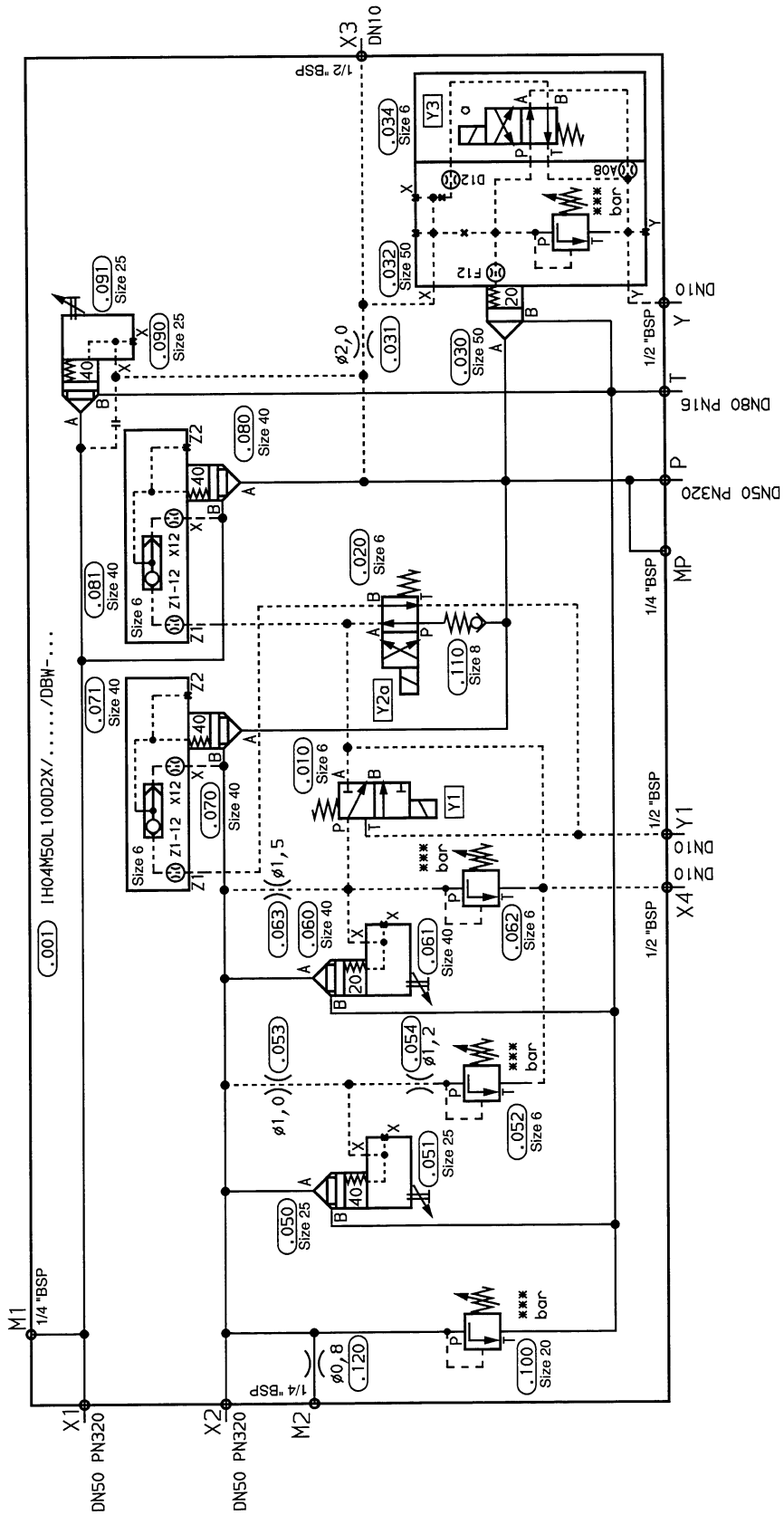
Press module, size 50
Circuit Type L
IH04M50L100M2X/...../DBE-....



Press module, size 50
Circuit Type L
IH04M50L100M2X/...../DBE-...

Item	Qty	Description	Type	Further information	
.010	1	Directional valve, size 6	3WE6B5X/...	RE 23 177	
.020	1	Directional valve, size 6	4WE6M5X/...	RE 23 177	
.030	1	2-way cartridge valve, size 50	LC50DB20..6X/	RE 81 078	
.031	1	Orifice	20-M10x25		
.032	1	Control cover, size 50	LFA50DBEM-6X/315	RE 81 078	
.034	1	Pressure relief valve, size 6	DBET-5X/315YG24-1	RE 23 177	
.050	1	2-way cartridge valve, size 25	LC25B40E6X/	RE 81 010	
.051	1	Control cover, size 25	LFA25H2-6X/F	RE 81 010	
.052	1	Pressure relief valve, size 6	DBDS6K1X/100	RE 25 402	
.053	1	Orifice	10-M8x1K		
.054	1	Orifice	12-M8x1K		
.060	1	2-way cartridge valve, size 40	LC40B20E6X/	RE 81 010	
.061	1	Control cover, size 40	LFA40H2-6X/F	RE 81 010	
.062	1	Pressure relief valve, size 6	DBDS6K1X/315	RE 25 402	
.063	1	Orifice	15-M8x1K		
.070	1	2-way cartridge valve, size 40	LC40B40E6X/	RE 81 010	
.071	1	Control cover, size 40	LFA40G-6X/	RE 81 010	
.080	1	2-way cartridge valve, size 40	LC40B40E6X/	RE 81 010	
.081	1	Control cover, size 40	LFA40G-6X/	RE 81 010	
.090	1	2-way cartridge valve, size 25	LC25B40E6X/	RE 81 010	
.091	1	Control cover, size 25	LFA25H2-6X/F	RE 81 010	
.100	1	Pressure relief valve, size 20	DBDS20K1X/315	RE 25 402	
.110	1	Check valve, size 8	M-SR8KE05-1X/	RE 20 380	
.120	1	Orifice	08-1/4"BSP		
X1, X2, P	3	*Flange	DN50PN320	TN 303 923	RE 45 501
T	1	*Flange	DN80PN16	TN 012 940	AB 22-15
(*Not included in supply, please order separately !)					

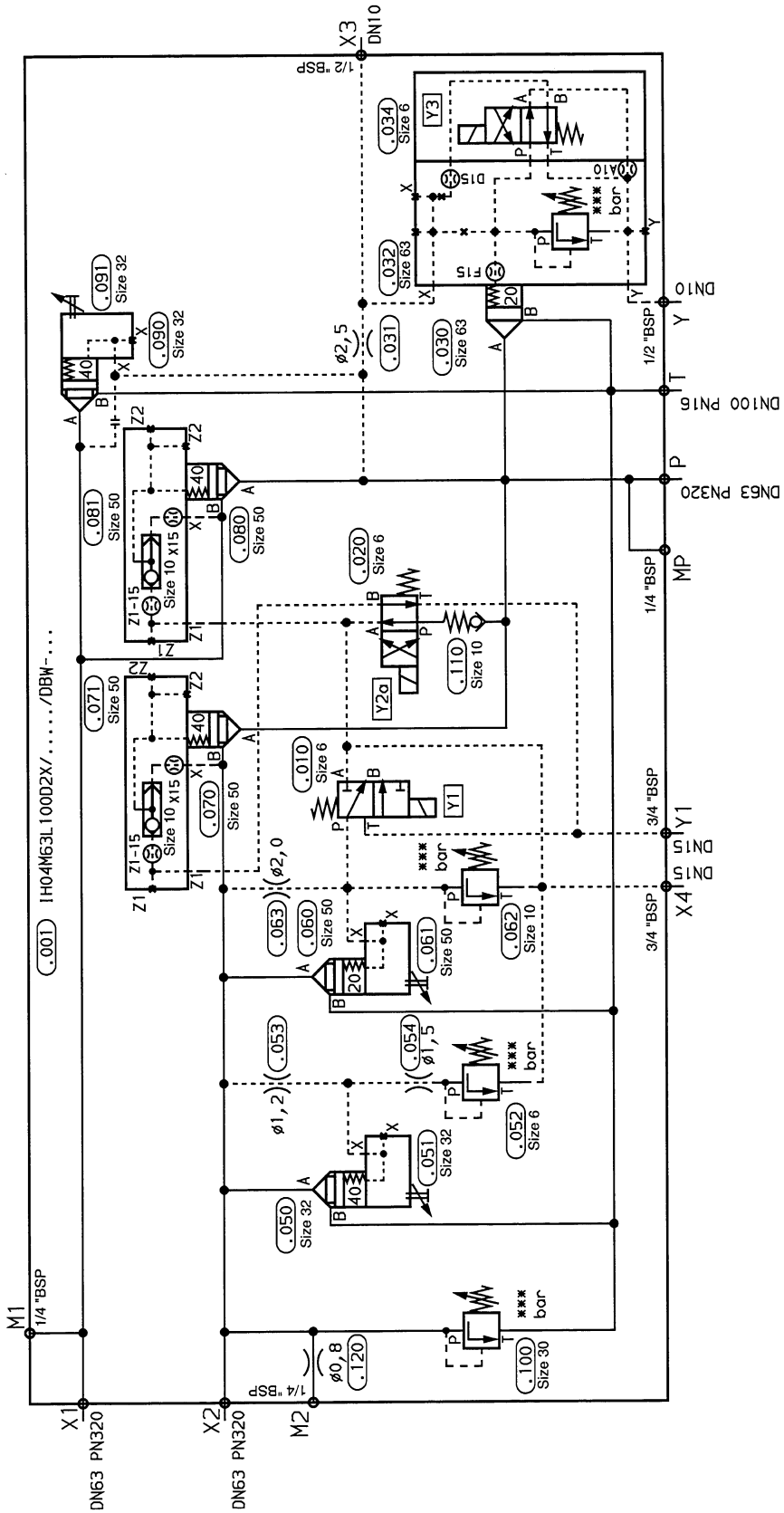
Press module, size 50
Circuit Type L
IH04M50L100D2X/...../DBW-...



Press module, size 50
Circuit Type L
IH04M50L100D2X/...../DBW-...

Item	Qty	Description	Type	Further information	
.010	1	Directional valve, size 6	3WE6B5X/...	RE 23 177	
.020	1	Directional valve, size 6	4WE6D5X/...	RE 23 177	
.030	1	2-way cartridge valve, size 50	LC50DB20..6X/	RE 81 078	
.031	1	Orifice	20-M10x25		
.032	1	Control cover, size 50	LFA50DBW2-6X/315	RE 81 078	
.034	1	Directional valve, size 6	4WE6D5X/....	RE 23 177	
.050	1	2-way cartridge valve, size 25	LC25B40E6X/	RE 81 010	
.051	1	Control cover, size 25	LFA25H2-6X/F	RE 81 010	
.052	1	Pressure relief valve, size 6	DBDS6K1X/100	RE 25 402	
.053	1	Orifice	10-M8x1K		
.054	1	Orifice	12-M8x1K		
.060	1	2-way cartridge valve, size 40	LC40B20E6X/	RE 81 010	
.061	1	Control cover, size 40	LFA40H2-6X/F	RE 81 010	
.062	1	Pressure relief valve, size 6	DBDS6K1X/315	RE 25 402	
.063	1	Orifice	15-M8x1K		
.070	1	2-way cartridge valve, size 40	LC40B40E6X/	RE 81 010	
.071	1	Control cover, size 40	LFA40G-6X/	RE 81 010	
.080	1	2-way cartridge valve, size 40	LC40B40E6X/	RE 81 010	
.081	1	Control cover, size 40	LFA40G-6X/	RE 81 010	
.090	1	2-way cartridge valve, size 25	LC25B40E6X/	RE 81 010	
.091	1	Control cover, size 25	LFA25H2-6X/F	RE 81 010	
.100	1	Pressure relief valve, size 20	DBDS20K1X/315	RE 25 402	
.110	1	Check valve, size 8	M-SR8KE05-1X/	RE 20 380	
.120	1	Orifice	08-1/4"BSP		
X1, X2, P	3	*Flange	DN50PN320	TN 303 923	RE 45 501
T	1	*Flange	DN80PN16	TN 012 940	AB 22-15
(*Not included in supply, please order separately !)					

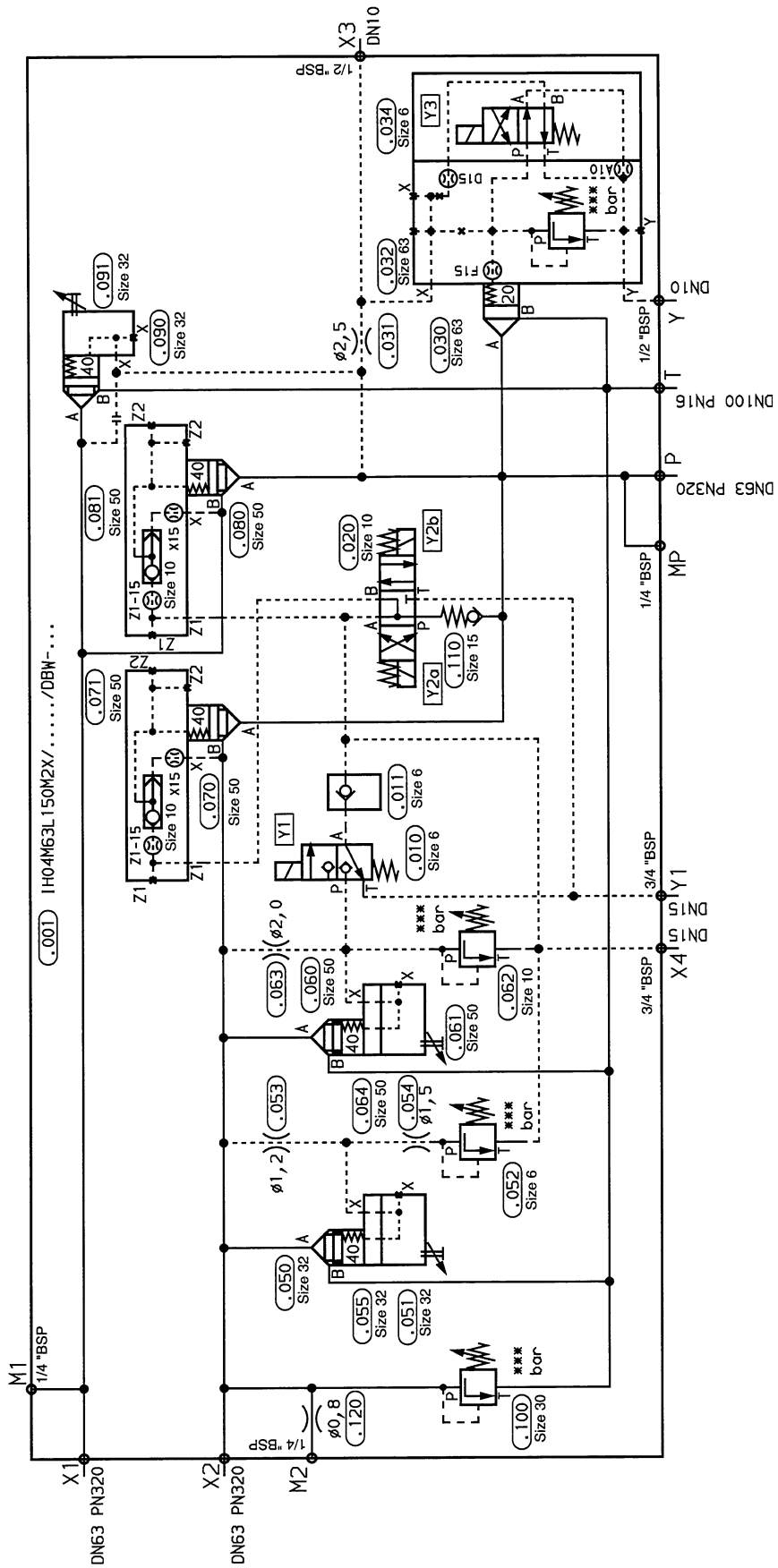
Press module, size 63
Circuit Type L
IH04M63L100D2X/.../DBW-...



Press module, size 63
Circuit Type L
IH04M63L100D2X/...../DBW-...

Item	Qty	Description	Type	Further information	
.010	1	Directional valve, size 6	3WE6B5X/...	RE 23 177	
.020	1	Directional valve, size 10	4WE10D3X/C...	RE 23 316	
.030	1	2-way cartridge valve, size 63	LC63DB20..6X/	RE 81 078	
.031	1	Orifice	25-M10x25		
.032	1	Control cover, size 63	LFA63DBW2-6X/315	RE 81 078	
.034	1	Directional valve, size 6	4WE6D5X/....	RE 23 177	
.050	1	2-way cartridge valve, size 32	LC32B40E6X/	RE 81 010	
.051	1	Control cover, size 32	LFA32H2-6X/F	RE 81 010	
.052	1	Pressure relief valve, size 6	DBDS6K1X/100	RE 25 402	
.053	1	Orifice	12-M8x1K		
.054	1	Orifice	15-M8x1K		
.060	1	2-way cartridge valve, size 50	LC50B20E6X/	RE 81 010	
.061	1	Control cover, size 50	LFA50H2-6X/F	RE 81 010	
.062	1	Pressure relief valve, size 10	DBDS10K1X/315	RE 25 402	
.063	1	Orifice	20-M8x1K		
.070	1	2-way cartridge valve, size 50	LC50B40E6X/	RE 81 010	
.071	1	Control cover, size 50	LFA50G-6X/	RE 81 010	
.080	1	2-way cartridge valve, size 50	LC50B40E6X/	RE 81 010	
.081	1	Control cover, size 50	LFA50G-6X/	RE 81 010	
.090	1	2-way cartridge valve, size 32	LC32B40E6X/	RE 81 010	
.091	1	Control cover, size 32	LFA32H2-6X/F	RE 81 010	
.100	1	Pressure relief valve, size 30	DBDS30K1X/315	RE 25 402	
.110	1	Check valve, size 10	M-SR10KE05-1X/	RE 20 380	
.120	1	Orifice	08-1/4"BSP		
X1, X2, P	3	*Flange	DN63PN320	TN 303 925	RE 45 501
T	1	*Flange	DN100PN16	TN 012 942	AB 22-15
(*Not included in supply, please order separately !)					

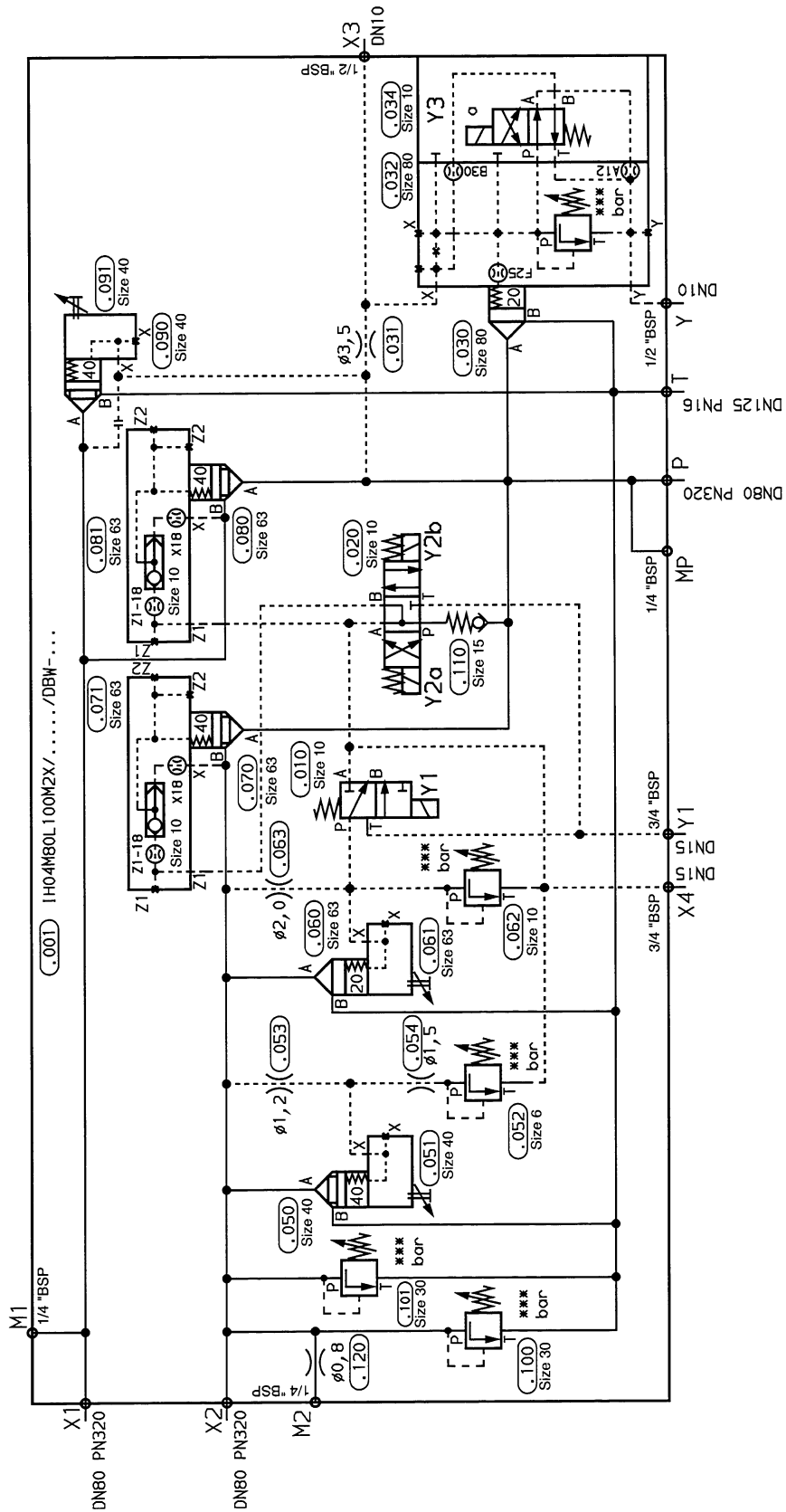
Press module, size 63
 Circuit Type L
 IH04M63L150M2X/.../DBW-...



Press module, size 63
Circuit Type L
IH04M63L150M2X/...../DBW-...

Item	Qty	Description	Type	Further information	
.010	1	Directional poppet valve, size 6	M-3SEW6C2X/420L....S0125	RE 22 057	
.011	1	Sandwich plate check valve, size 6	Z1S6C1-3X/V	RE 21 533	
.020	1	Directional valve, size 10	4WE10M3X/C...	RE 23 316	
.030	1	2-way cartridge valve, size 63	LC63DB20..6X/	RE 81 078	
.031	1	Orifice	25-M10x25		
.032	1	Control cover, size 63	LFA63DBW2-6X/315	RE 81 078	
.034	1	Directional valve, size 6	4WE6D5X/....	RE 23 177	
.050	1	2-way cartridge valve, size 32	LC32B40E6X/-004	RE 81 010	
.051	1	Control cover, size 32	LFA32H2-14-6X/F	RE 81 010	
.052	1	Pressure relief valve, size 6	DBDSK1X/100	RE 25 402	
.053	1	Orifice	12-M8x1K		
.054	1	Orifice	15-M8x1K		
.055	1	Control cover, size 32	LFA32D19-6X/	RE 81 010	
.060	1	2-way cartridge valve, size 50	LC50B40E6X/004	RE 81 010	
.061	1	Control cover, size 50	LFA50H2-6X/F	RE 81 010	
.062	1	Pressure relief valve, size 10	DBDS10K1X/315	RE 25 402	
.063	1	Orifice	20-M8x1K		
.064	1	Control cover, size 50	LFA50D19-6X/	RE 81 010	
.070	1	2-way cartridge valve, size 50	LC50B40E6X/	RE 81 010	
.071	1	Control cover, size 50	LFA50G-6X/	RE 81 010	
.080	1	2-way cartridge valve, size 50	LC50B40E6X/	RE 81 010	
.081	1	Control cover, size 50	LFA50G-6X/	RE 81 010	
.090	1	2-way cartridge valve, size 32	LC32B40E6X/	RE 81 010	
.091	1	Control cover, size 32	LFA32H2-6X/F	RE 81 010	
.100	1	Pressure relief valve, size 30	DBDS30K1X/315	RE 25 402	
.110	1	Check valve, size 10	M-SR10KE05-1X/	RE 20 380	
.120	1	Orifice	08-1/4"BSP		
X1, X2, P	3	*Flange	DN63PN320	TN 303 925	RE 45 501
T	1	*Flange	DN100PN16	TN 012 942	AB 22-15
		(*Not included in supply, please order separately !)			

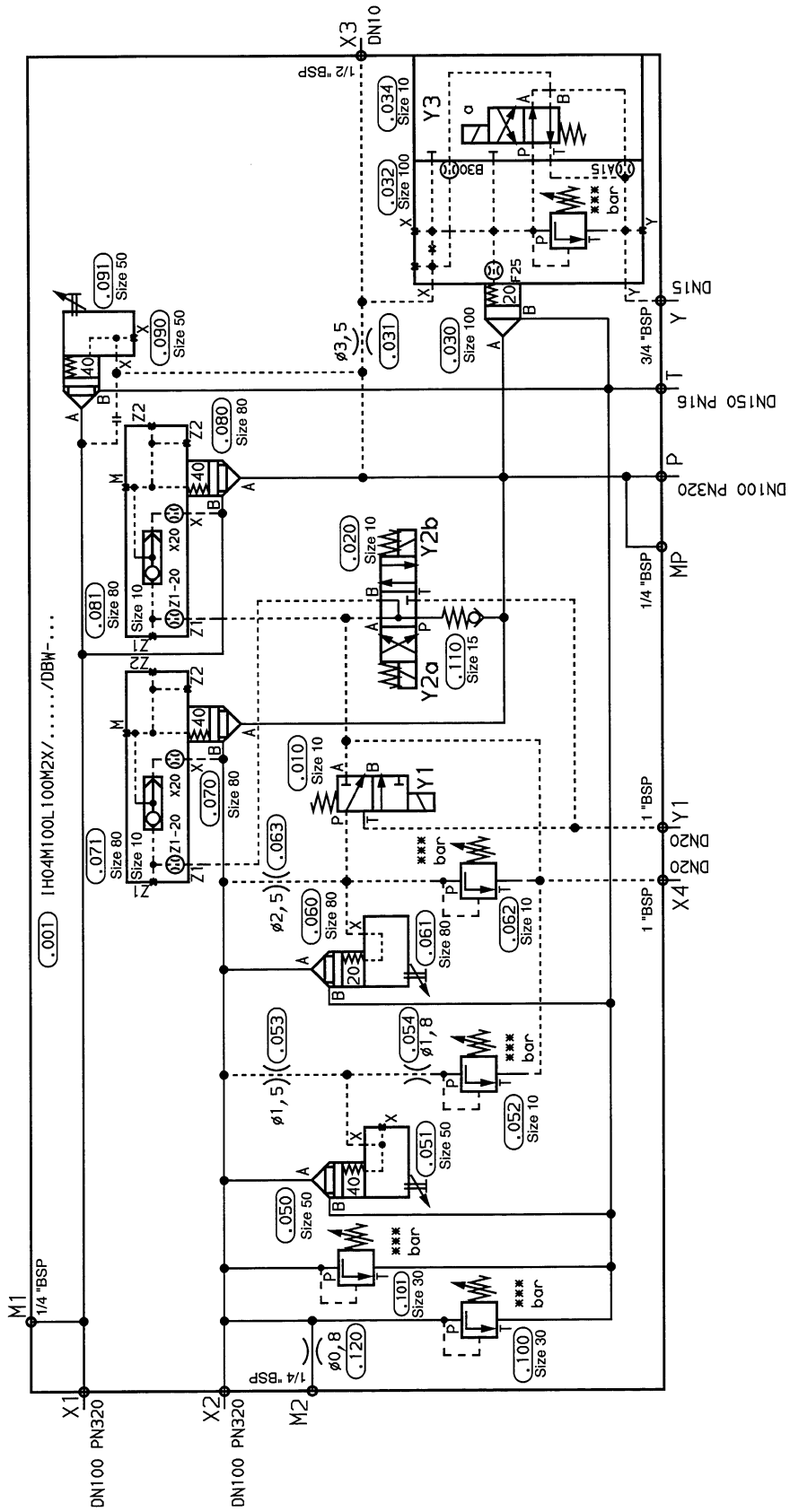
Press module, size 80
Circuit Type L
IH04M80L100M2X/.../DBW-...



Press module, size 80
Circuit Type L
IH04M80L100M2X/...../DBW-...

Item	Qty	Description	Type	Further information	
.010	1	Directional valve, size 10	3WE10B3X/...	RE 23 316	
.020	1	Directional valve, size 10	4WE10M3X/....	RE 23 316	
.030	1	2-way cartridge valve, size 80	LC80DB20..6X/	RE 81 078	
.031	1	Orifice	35-M10x25		
.032	1	Control cover, size 80	LFA80DBW2-6X/315	RE 81 078	
.034	1	Directional valve, size 10	4WE10D3X/....	RE 23 316	
.050	1	2-way cartridge valve, size 40	LC40B40E6X/	RE 81 010	
.051	1	Control cover, size 40	LFA40H2-6X/F	RE 81 010	
.052	1	Pressure relief valve, size 6	DBDS6K1X/100	RE 25 402	
.053	1	Orifice	12-M8x1K		
.054	1	Orifice	15-M8x1K		
.060	1	2-way cartridge valve, size 63	LC63B20E6X/	RE 81 010	
.061	1	Control cover, size 63	LFA63H2-6X/F	RE 81 010	
.062	1	Pressure relief valve, size 10	DBDS10K1X/315	RE 25 402	
.063	1	Orifice	20-M8x1K		
.070	1	2-way cartridge valve, size 63	LC63B40E6X/	RE 81 010	
.071	1	Control cover, size 63	LFA63G-6X/	RE 81 010	
.080	1	2-way cartridge valve, size 63	LC63B40E6X/	RE 81 010	
.081	1	Control cover, size 63	LFA63G-6X/	RE 81 010	
.090	1	2-way cartridge valve, size 40	LC40B40E6X/	RE 81 010	
.091	1	Control cover, size 40	LFA40H2-6X/F	RE 81 010	
.100	1	Pressure relief valve, size 30	DBDS30K1X/315	RE 25 402	
.101	1	Pressure relief valve, size 30	DBDS30K1X/315	RE 25 402	
.110	1	Check valve, size 15	M-SR15KE05-1X/	RE 20 380	
.120	1	Orifice	08-1/4"BSP		
X1, X2, P	3	*Flange	DN80PN320	TN 303 927	RE 45 501
T	1	*Flange	DN125PN16	TN 012 338	AB 22-15
(*Not included in supply, please order separately !)					

Press module, size 100
Circuit Type L
IH04M100L100M2X/.../DBW-...




Press module, size 100
Circuit Type L
IH04M100L100M2X/...../DBW-...

Item	Qty	Description	Type	Further information	
.010	1	Directional valve, size 10	3WE10B3X/...	RE 23 316	
.020	1	Directional valve, size 10	4WE10M3X/...	RE 23 316	
.030	1	2-way cartridge valve, size 100	LC100DB20..6X/	RE 81 078	
.031	1	Orifice	35-M10x25		
.032	1	Control cover, size 100	LFA100DBW2-6X/315	RE 81 078	
.034	1	Directional valve, size 10	4WE10D3X/...	RE 23 316	
.050	1	2-way cartridge valve, size 50	LC50B40E6X/	RE 81 010	
.051	1	Control cover, size 50	LFA50H2-6X/F	RE 81 010	
.052	1	Pressure relief valve, size 10	DBDS10K1X/100	RE 25 402	
.053	1	Orifice	15-M8x1K		
.054	1	Orifice	18-M8x1K		
.060	1	2-way cartridge valve, size 80	LC80B20E6X/	RE 81 010	
.061	1	Control cover, size 80	LFA80H2-6X/F	RE 81 010	
.062	1	Pressure relief valve, size 10	DBDS10K1X/315	RE 25 402	
.063	1	Orifice	25-M8x1K		
.070	1	2-way cartridge valve, size 80	LC80B40E6X/	RE 81 010	
.071	1	Control cover, size 80	LFA80G-6X/	RE 81 010	
.080	1	2-way cartridge valve, size 80	LC80B40E6X/	RE 81 010	
.081	1	Control cover, size 80	LFA80G-6X/	RE 81 010	
.090	1	2-way cartridge valve, size 50	LC50B40E6X/	RE 81 010	
.091	1	Control cover, size 50	LFA50H2-6X/F	RE 81 010	
.100	1	Pressure relief valve, size 30	DBDS30K1X/315	RE 25 402	
.101	1	Pressure relief valve, size 30	DBDS30K1X/315	RE 25 402	
.110	1	Check valve, size 15	M-SR15KE05-1X/	RE 20 380	
.120	1	Orifice	08-1/4"BSP		
X1, X2, P	3	*Flange	DN100PN320	TN 306 039	RE 45 502
T	1	*Flange	DN150PN16	TN 135 401	AB 22-04
(*Not included in supply, please order separately !)					

Notes

Notes

Notes

 **Mannesmann Rexroth GmbH**
Jahnstraße 3-5
W-8770 Lohr am Main
Telefon 0 93 52 / 18-0 • Telex 6 89 418
Telefax 0 93 52 / 18-10 40

G.L.Rexroth Ltd.,
Cromwell Road, St.Neots,
Cambridgeshire, PE19 2ES.
Tel. 0480/476041
Fax. 0480/219052

All rights reserved -
Subject to revision.