

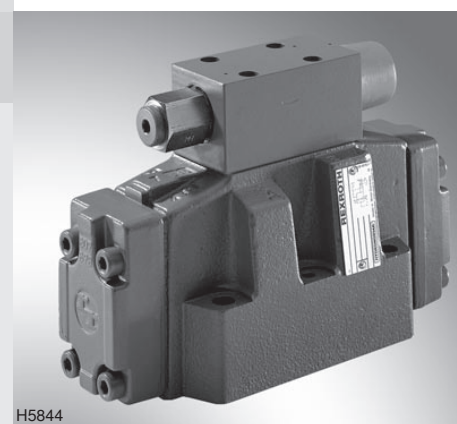
# Pressure reducing valve, pilot operated

**RE 26928/09.07**  
Replaces: 10.97

1/8

## Type 3DR

Size 16  
Component series 5X  
Maximum operating pressure 250 bar  
Maximum flow 220 l/min



H5844

## Table of contents

Content	Page
Features	1
Ordering code	2
Symbol	2
Function, section	3
Technical data	4
Characteristic curves	4, 5
Unit dimensions	6, 7

## Features

- Valve for reducing (P to A) and limiting (A to T) a system pressure
- For subplate mounting
- Porting pattern to ISO 4401-07-07-0-05
- Subplates to data sheet RE 45056 (separate order)
- 4 pressure ratings
- 4 adjustment elements, optional:
  - Rotary knob
  - Sleeve with hexagon and protective cap
  - Lockable rotary knob with scale
  - Rotary knob with scale

Information on available spare parts:  
[www.boschrexroth.com/spc](http://www.boschrexroth.com/spc)

## Ordering code

3DR	16	P	-5X/	Y	/00	*
-----	----	---	------	---	-----	---

3-way pressure reducing valve

Size 16 = 16

Subplate mounting = P

### Adjustment elements

Rotary knob = 4

Sleeve with hexagon and protective cap = 5

Lockable rotary knob with scale = 6<sup>1)</sup>

Rotary knob with scale = 7

Component series 50 to 59 = 5X

(50 to 59: unchanged installation and connection dimensions)

Pressure setting up to 50 bar = 50

Pressure setting up to 100 bar = 100

Pressure setting up to 200 bar = 200

Pressure setting up to 250 bar = 250

Further details in clear text

### Seal material

NBR seals

FKM seals

(other seals on request)

### ⚠ Attention!

Observe compatibility of seals with hydraulic fluid used!

M =

V =

00 = Without stroke limiter

### Pilot oil supply

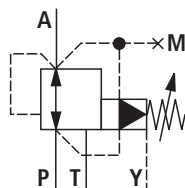
Internal pilot oil supply,  
external pilot oil drain

Y =

<sup>1)</sup> H-key, Material no. **R900008158**, is included in the scope of supply

Standard types and components can be found in the EPS (standard price list).

## Symbol



## Function, section

Pressure control valves of type 3DR are pilot operated 3-way pressure reducing valves with pressure relief function for the secondary circuit. They are used to reduce a system pressure.

The pressure reducing valve basically consists of main valve (1) with control spool (2) and pilot control valve (3) with pressure adjustment element (10).

In the starting position, the valve is open. Hydraulic fluid can flow from channel P to channel A without any restrictions.

The pressure in channel A is applied via bore (4) to the spool area opposite to compression spring (9). At the same time, pressure is applied via orifice (6) to the spring-loaded side of control spool (2) and via channel (5) to ball (7) in pilot control valve (3).

Depending on the setting of compression spring (11) pressure builds up upstream of ball (7) and in channel (5) and holds control spool (2) in the open position. Hydraulic fluid flows from channel P via control spool (2) to channel A until pressure builds up in channel A, which reaches a higher

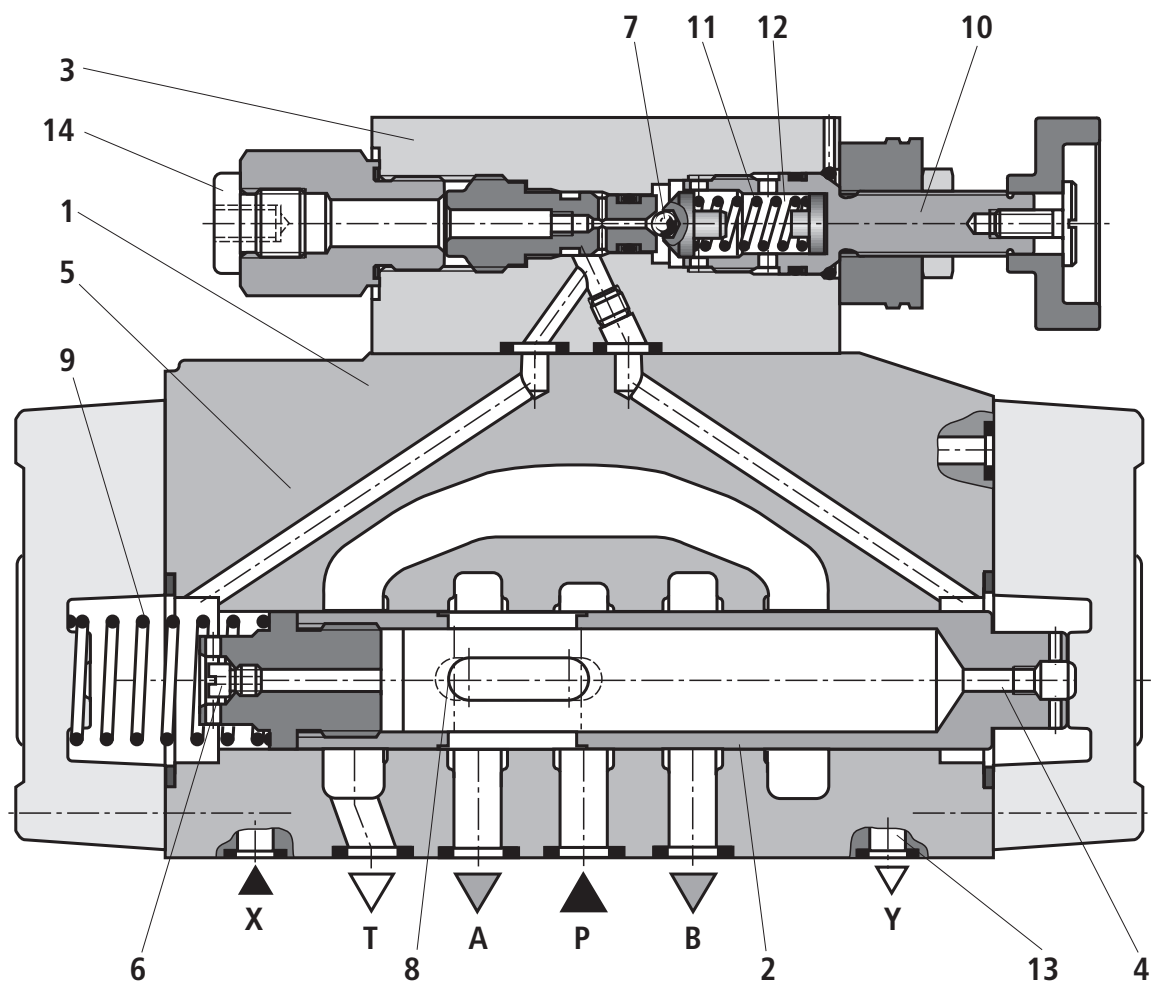
value than the pressure value set on compression spring (11) and lifts off ball (7).

Control spool (2) moves to the closed position. The required reduced pressure is reached when the pressure in channel A and the pressure value set on compression spring (11) are in balance.

When the pressure in channel A increases further due to external forces acting on the actuator, control spool (2) is pushed further against compression spring (9). This opens a connection between channel T and channel A via control land (8) on control spool (2). The amount of hydraulic fluid discharged to tank ensures that the pressure will no longer increase.

The pilot oil is always drained externally from spring chamber (12) via pilot line (13) at port Y. It must always be returned at zero pressure to tank.

Pressure gauge port (14) allows the reduced pressure in channel A to be checked.



Type 3DR 16 P4-5X/...

**Technical data** (for applications outside these parameters, please consult us!)**General**

Weight	kg	8.0
Installation position		Optional
Ambient temperature range	°C	-30 to +50

**Hydraulic**

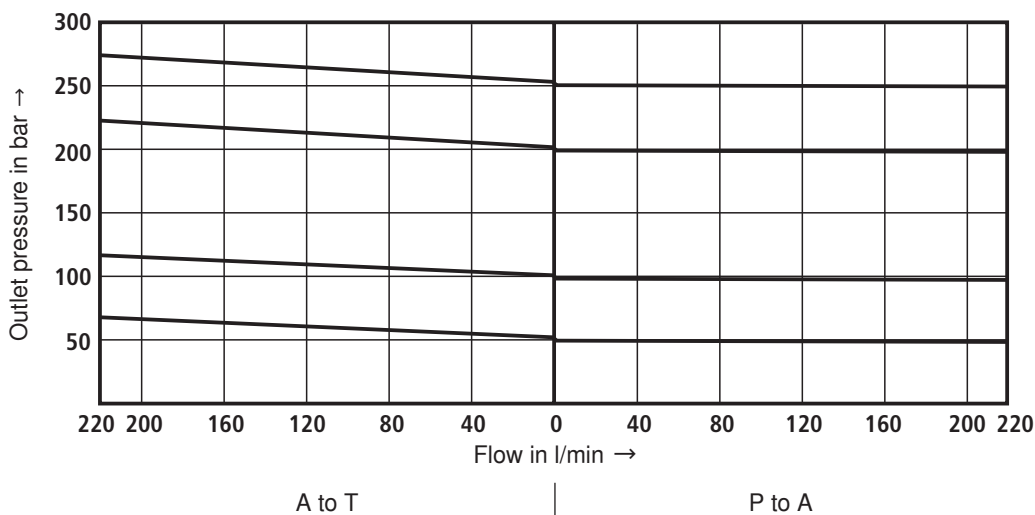
Nominal pressure	bar	315	
Maximum operating pressure	- Port P	bar	315
	- Port A	bar	250
	- Port Y	bar	Separately and pressureless to tank
Pressure setting	- Minimum	bar	Depending on flow (see characteristic curves on page 5)
	- Maximum	bar	50; 100; 200; 250
Maximum flow	l/min	220	
Hydraulic fluid		Mineral oil (HL, HLP) to DIN 51524 <sup>1)</sup> ; fast bio-degradable hydraulic fluids to VDMA 24568 (see also RE 90221); HETG (rape seed oil) <sup>1)</sup> ; HEPG (polyglycols) <sup>2)</sup> ; HEES (synthetic esters) <sup>2)</sup> ; other hydraulic fluids on request	
Hydraulic fluid temperature range	°C	-30 to +80 (NBR seals) -20 to +80 (FKM seals)	
Viscosity range	mm <sup>2</sup> /s	10 to 800	
Permissible max. degree of contamination of the hydraulic fluid - cleanliness class to ISO 4406 (c)		Class 20/18/15 <sup>3)</sup>	

<sup>1)</sup> Suitable for NBR and FKM seals

<sup>2)</sup> Suitable only for FKM seals

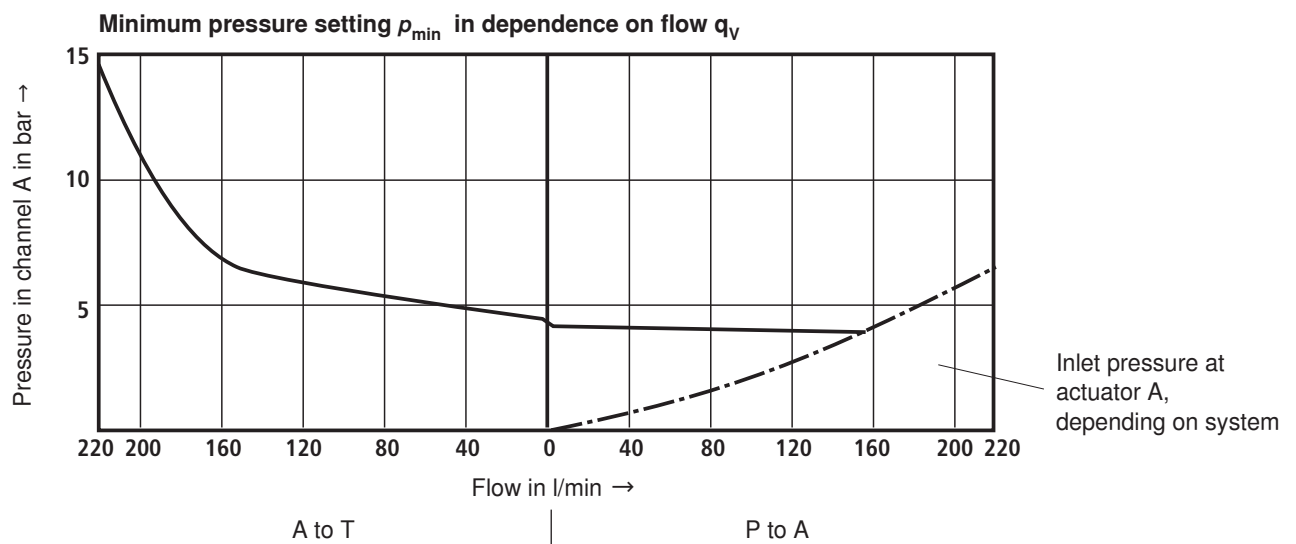
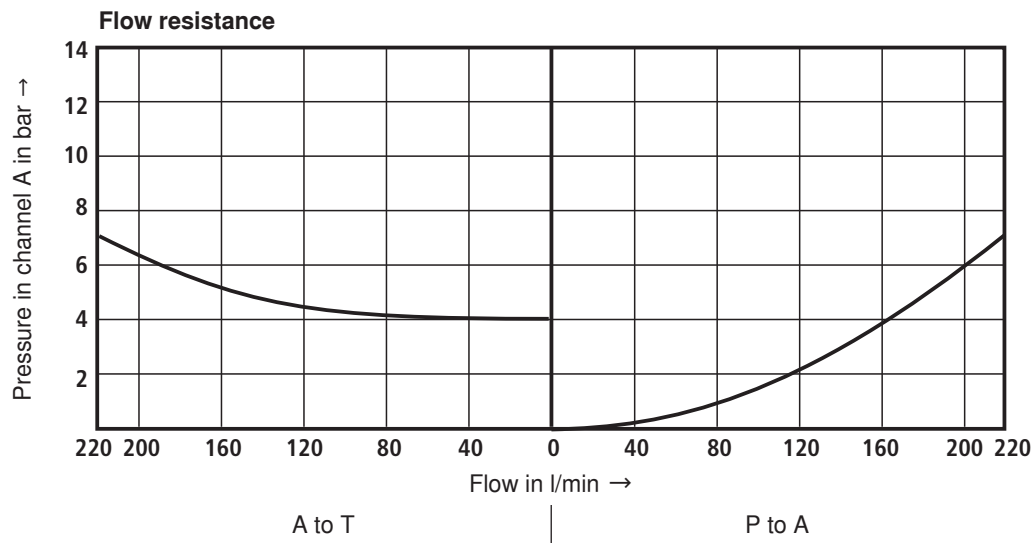
<sup>3)</sup> The cleanliness classes specified for components must be adhered to in hydraulic systems. Effective filtration prevents malfunction and, at the same time, prolongs the service life of components.

For the selection of filters, see data sheets RE 50070, RE 50076, RE 50081, RE 50086, RE 50087 and RE 50088.

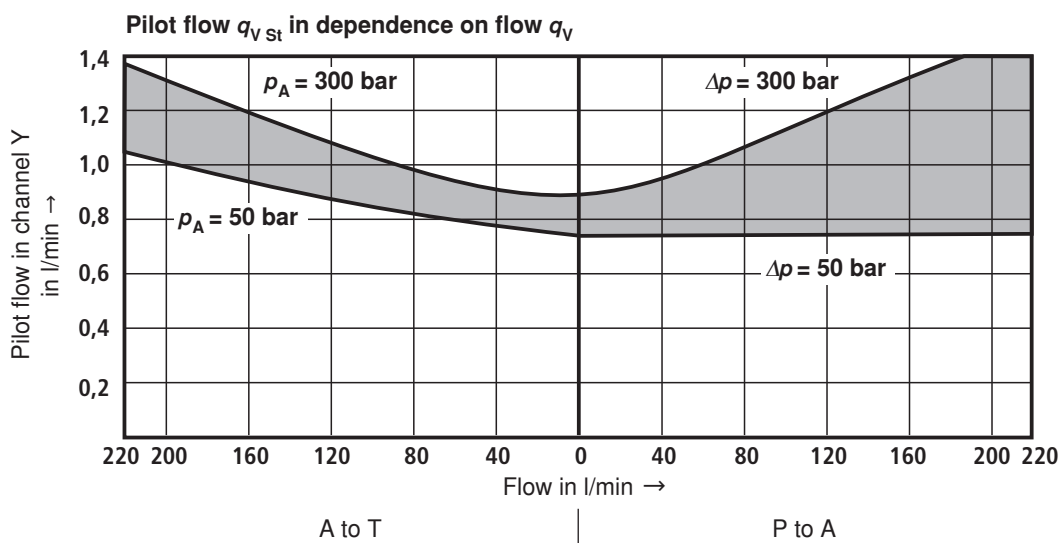
**Characteristic curves** (measured with HLP46,  $\vartheta_{oil} = 40 \text{ °C} \pm 5 \text{ °C}$ )Outlet pressure  $p_A$  in dependence on flow  $q_V$ 

The characteristic curves are valid for outlet pressure  $p_T = \text{zero}$  over the entire flow range.

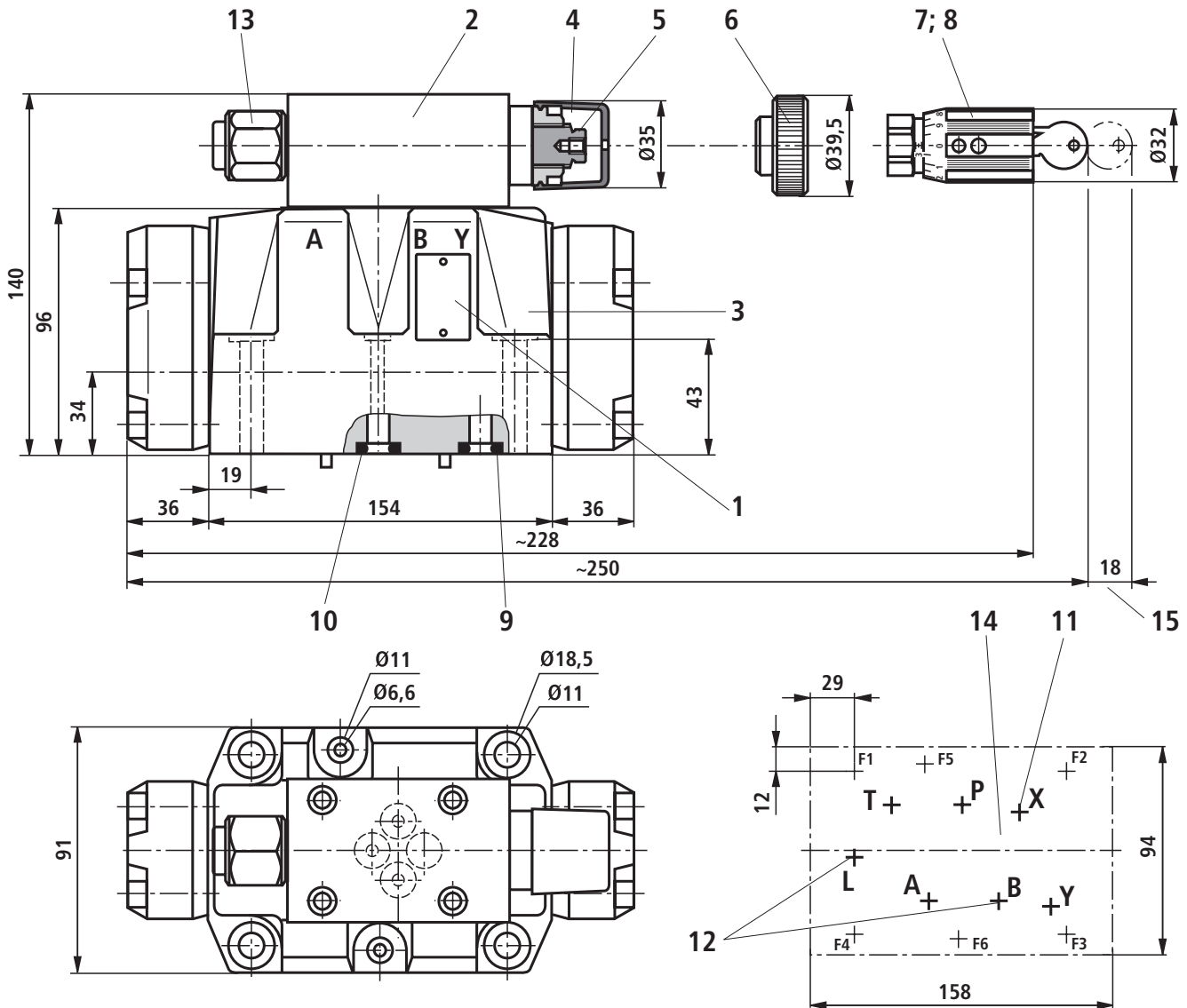
**Characteristic curves** (measured with HLP46,  $\vartheta_{oil} = 40 \text{ }^\circ\text{C} \pm 5 \text{ }^\circ\text{C}$ )



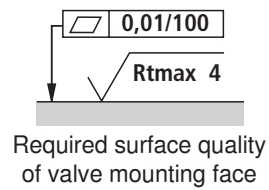
The characteristic curves are valid for outlet pressure  $p_T = \text{zero}$  over the entire flow range.



## Unit dimensions (dimensions in mm)



For explanations of items and valve mounting screws, see page 7.



## Unit dimensions

---

- 1 Nameplate
- 2 Pilot control valve
- 3 Main valve
- 4 Adjustment element "5"
- 5 Hexagon 10 A/F
- 6 Adjustment element "4"
- 7 Adjustment element "6"
- 8 Adjustment element "7"
- 9 Seal rings for ports X, Y and L
- 10 Seal rings for ports A, B, P and T
- 11 Port X must be plugged in the subplate
- 12 Ports B and L must be plugged in the subplate
- 13 Pressure gauge port
- 14 Valve mounting face – porting pattern to ISO 4401-07-07-0-05
- 15 Space required to remove key

**Subplates** to data sheet RE 45056  
(separate order)

G172/01 (G3/4)

G174/01 (G1)

**Valve mounting screws** (separate order)

– **4 hexagon socket head cap screws**

**ISO 4762 - M10 x 60 - 10.9-fIZn-240h-L**

Friction coefficient  $\mu_{\text{total}} = 0.09$  to  $0.14$ ,  
tightening torque  $M_T = 73 \text{ Nm} \pm 10\%$ ,

Material no. **R913000116**

– **2 hexagon socket head cap screws**

**ISO 4762 - M6 x 60 - 10.9-fIZn-240h-L**

Friction coefficient  $\mu_{\text{total}} = 0.09$  to  $0.14$ ,  
tightening torque  $M_T = 15.5 \text{ Nm} \pm 10\%$ ,

Material no. **R913000115**

 **Note!**

The specified tightening torques are recommended values when screws of the given friction coefficients and a torque wrench are used (tolerance  $\pm 10\%$ ).

## Notes

---

Bosch Rexroth AG  
Hydraulics  
Zum Eisengießer 1  
97816 Lohr am Main, Germany  
Phone +49 (0) 93 52 / 18-0  
Fax +49 (0) 93 52 / 18-23 58  
documentation@boschrexroth.de  
www.boschrexroth.de

© This document, as well as the data, specifications and other information set forth in it, are the exclusive property of Bosch Rexroth AG. It may not be reproduced or given to third parties without its consent. The data specified above only serve to describe the product. No statements concerning a certain condition or suitability for a certain application can be derived from our information. The information given does not release the user from the obligation of own judgment and verification. It must be remembered that our products are subject to a natural process of wear and aging.